

WGTC WEKSLER GLASS THERMOMETER CORP.

SINCE 1930



12.0
18.0

USE AND...



GT



THE HISTORY OF WEKSLER GLASS THERMOMETER CORPORATION

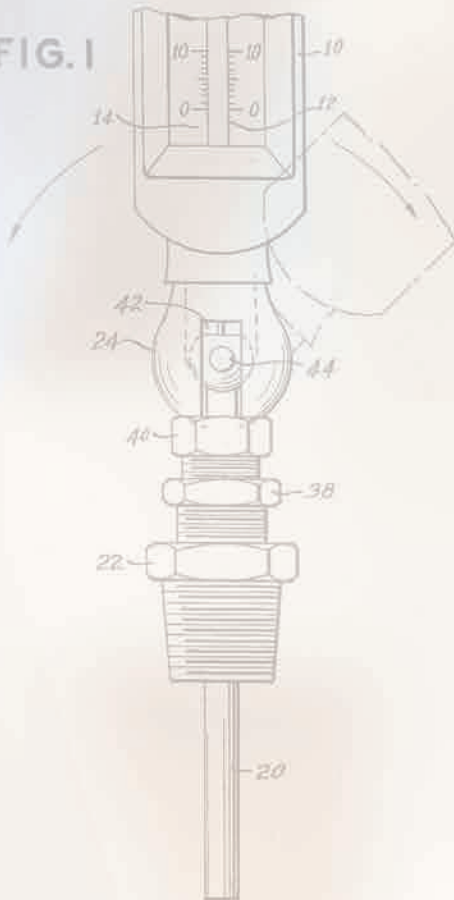


Oct. 10, 1950

E. P. DOUGLASS
ADJUSTABLE-ANGLE THERMOMETER
Filed Sept. 23, 1947

Weksler Glass Thermometer Corporation has a long and proud history. Our founder, Harry Weksler, was an accomplished glass blower who left England in 1920 and founded the Weksler Thermometer Company in St. Louis, Missouri.

FIG. 1



On September 23, 1947 Weksler Thermometer Corporation applied for a U.S. patent for their revolutionary adjustable-angle industrial thermometer. Three years later, patent number 2,524,894 was granted and the company solidified its position as a leader in the HVAC industry.

The company grew rapidly under Harry Weksler's leadership and moved to a larger facility in Freeport, New York in 1952. As the company expanded into new markets, the name was changed to Weksler Instruments Corporation in the 1950's. Three generations of family members lead Weksler Instruments through a period of unprecedented growth for another 45 years before selling the company's name and parts of the product line to Dresser Industries in 1995.

The company never sold its most important assets; the adjust-angle industrial thermometer and other products that have been a mainstay of the worldwide HVAC market for over 75 years. We continue to offer our EA14 contractor gauges that have been specified by engineers for over 40 years. Our line has grown and now includes bimetal thermometers, diaphragm seals and gauges from 1 1/2" to 8.5" diameters.

Weksler Glass Thermometer Corporation is now lead by Harry Weksler's great grandson and continues a tradition of innovative, high-quality products sold by representatives throughout the world.



Photo taken in Freeport, NY, USA – (circa) 1955

TABLE OF

INDUSTRIAL THERMOMETERS

Model AS5 – Adjust-Angle Thermometer	1
Model AS6 – Adjust-Angle Air Duct Thermometer	2
Case Dimensions For Adjust-Angle Thermometer	3
Model AAD – Solar Digital Industrial Thermometer	4
Thermowells for Adjust-Angle Thermometers	5

5" SCALE THERMOMETERS

5" Scale Submarine Thermometers	
Model 140	6
Model 141	7
5" Scale Super Economy Thermometers	
Model 152FC	8
Model 153FC	9

SCIENTIFIC & COMMERCIAL

Pocket & Laboratory Thermometers	10
Scientific & Commercial Thermometers	11

BIMETAL THERMOMETERS

Model 3AA – 3" Dial Adjust-Angle Bimetal	12
Model 5AA – 5" Dial Adjust-Angle Bimetal	13
Model 5AAE – 5" Dial Adjust-Angle Bimetal "E" Series	14
Model 3BM – 3" Dial Bottom Connected Bimetal	15
Model 5BM – 5" Dial Bottom Connected Bimetal	16
Model 3BK – 3" Dial Back Connected Bimetal	17
Model 3BKE – 3" Dial Back Connected Bimetal "E" Series	18
Model 5BK – 5" Dial Back Connected Bimetal	19
Thermowells for Bimetal Thermometers	20

VAPOR DIAL THERMOMETERS

Model VA45S – Adjust-Angle Vapor Actuated Dial Thermometer - 4 1/2" Dial	21
Model VR45P – Remote Mounted Vapor Actuated Dial Thermometer - 4 1/2" Dial	22
Dials and Thermowells for Vapor Actuated Thermometers	23

CONTRACTOR GAUGE

Model EA14 – 4 1/2" Contractor Gauge Brass Bourdon Tube and Socket	25
--	----

UTILITY GAUGES

Model 15TL8 – 1 1/2" Utility Gauge Brass Bourdon Tube and Socket	26
Model 15TC8 – 1 1/2" Utility Gauge Brass Bourdon Tube and Socket	27
Model 20TL4 – 2" Utility Gauge Brass Bourdon Tube and Socket	28
Model 20TC4 – 2" Utility Gauge Brass Bourdon Tube and Socket	29
Model 25TL4 – 2 1/2" Utility Gauge Brass Bourdon Tube and Socket	30
Model 25TC4 – 2 1/2" Utility Gauge Brass Bourdon Tube and Socket	31
Model 25TU4 – 2 1/2" Utility Gauge Brass Bourdon Tube and Socket	32
Model 35TL4 – 3 1/2" Utility Gauge Brass Bourdon Tube and Socket	33

GLYCERIN FILLED GAUGES

Model 251L4 – 2 1/2" Glycerin Filled Gauge Brass Bourdon Tube and Socket	34
--	----



CONTENTS

GLYCERIN FILLED GAUGES (cont'd)

Model 251C4 – 2 1/2" Glycerin Filled Gauge Brass Bourdon Tube and Socket.....	35
Model 251U4 – 2 1/2" Glycerin Filled Gauge Brass Bourdon Tube and Socket.....	36
Model 251F4 – 2 1/2" Glycerin Filled Gauge Brass Bourdon Tube and Socket.....	37
Model 254L4 – 2 1/2" Glycerin Filled Gauge Stainless Steel Bourdon Tube and Socket.....	38
Model 254C4 – 2 1/2" Glycerin Filled Gauge Stainless Steel Bourdon Tube and Socket.....	39
Model 254U4 – 2 1/2" Glycerin Filled Gauge Stainless Steel Bourdon Tube and Socket.....	40
Model 254F4 – 2 1/2" Glycerin Filled Gauge Stainless Steel Bourdon Tube and Socket.....	41
Model 401L4 – 4" Glycerin Filled Gauge Brass Bourdon Tube and Socket.....	42
Model 401C4 – 4" Glycerin Filled Gauge Brass Bourdon Tube and Socket.....	43
Model 404L4 – 4" Glycerin Filled Gauge Stainless Steel Bourdon Tube and Socket.....	44
Model 404C – 4" Glycerin Filled Gauge Stainless Steel Bourdon Tube and Socket.....	45

LOW PRESSURE GAUGES

Model 25KL4 – 2 1/2" Low Pressure Gauge Brass Capsule and Socket.....	46
Model 25KC4 – 2 1/2" Low Pressure Gauge Brass Capsule and Socket.....	47
Model 40HL4 – 4" Low Pressure Gauge Copper Alloy Capsule and Socket.....	48
Model 40JL – 4" Low Pressure Gauge 316SS Capsule and Socket.....	49

PROCESS GAUGES

Model HA14-4 – 4 1/2" Process Gauge Brass Bourdon Tube and Socket.....	50
Model HA14-4ALT – 4 1/2" Altitude Gauge Brass Bourdon Tube and Socket.....	51
Model HA14-P & HY14-P – 4 1/2" Process Gauge Brass Bourdon Tube and Socket.....	52
Model 45PL & Model 45LL – 4 1/2" Process Gauge Stainless Steel Bourdon Tube and Socket.....	53
Model 45PB & Model 45LB – 4 1/2" Process Gauge Stainless Steel Bourdon Tube and Socket.....	54
Model HA44-8 & Model HY44-8 – 4 1/2" Process Gauge Stainless Steel Bourdon Tube and Socket.....	55
Model HA46-Y & Model HY46-Y – 6" Process Gauge Stainless Steel Bourdon Tube and Socket.....	56
Model 30DL4 – 3" Process Gauge Dial Digital Pressure Gauge.....	57

GENERAL SERVICE GAUGES

Model 45RL4 – 4 1/2" General Service Gauge Brass Bourdon Tube and Socket.....	58
Model 60RL4 – 6" General Service Gauge Brass Bourdon Tube and Socket.....	59
Model 85RL4 – 8.5" General Service Gauge Brass Bourdon Tube and Socket.....	60

SPECIALTY GAUGES

Model 20GTH & Model 20GTV – 2" Gas Test Gauges Copper Alloy Bourdon Tube and Socket.....	62
Model 25TPOUSE & 25THOSE-MAX – 2.5" Water Test Gauges Copper Alloy Bourdon Tube and Socket.....	63
Model 254L4-AMM – 2.5" Glycerin Filled Ammonia Gauge 316SS Bourdon Tube and Socket.....	64
Model 35TL4PG-UL – 3.5" Sprinkler Gauge Copper Alloy Bourdon Tube and Socket.....	65
Model 40TL4-AMM – 4" Ammonia SS Bourdon Tube and Socket.....	66

DIAPHRAGM SEALS

Model DW-T & DW-TF – Diaphragm Seals.....	67
Model DM-35 & DM-45 – Diaphragm Seals.....	68

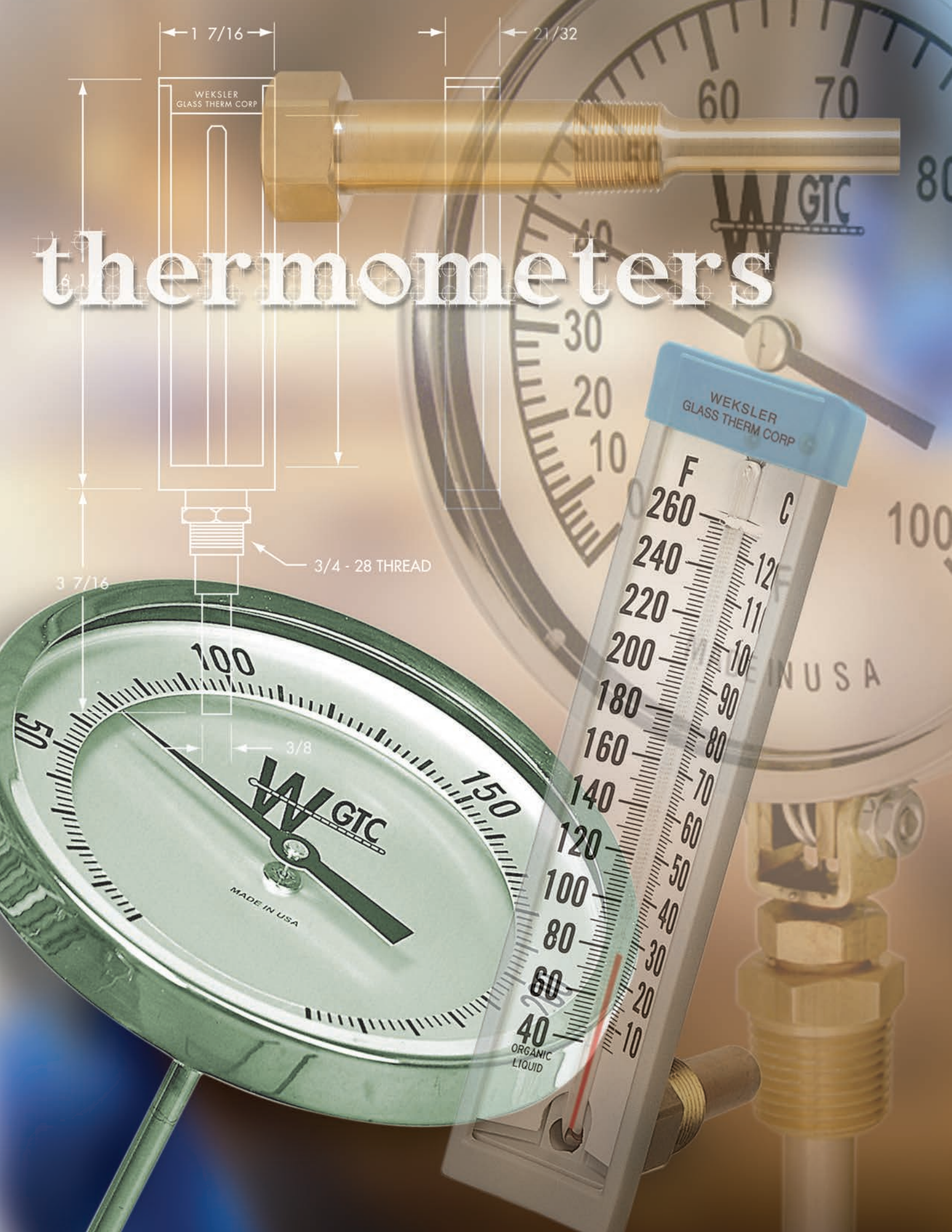
LEAD FREE PRODUCTS

Lead Free Products for Potable Water Applications.....	69 & 70
--	--------------------

ACCESSORIES

Models PT25NOR & PT50NOR – Pressure / Temperature Plugs.....	71
Gauge Accessories	72

thermometers



WEKSLER
GLASS THERM CORP

1 7/16

21/32

WEKSLER
GLASS THERM CORP

WEKSLER
GLASS THERM CORP

3/4 - 28 THREAD

3 7/16

3/8

MADE IN USA

ORGANIC
LIQUID

ADJUST-ANGLE THERMOMETER MODEL AS5

**BLUE
SPIRIT FILL**

**CAT. NO.
AS5H-9**



SIMPLE ADJUSTMENT

Just two screws permit case to be rotated 180° and stem to be positioned in 10° increments allowing user to select the most desirable viewing position.

EASY READABILITY

Lens front blue liquid filled thermometer tube is mounted on V-shaped aluminum scale with bold black lines and numerals.

ACCURATE

Calibrated against standards traceable to the National Institute of Standards and Technology and guaranteed accurate to ± one scale division.

CONSTRUCTION

Black molded ABS case with glass front to exclude dirt and dust is standard. Aluminum case is optional at additional charge. Plastic face is optional at additional charge. *ABS case should not be subjected to temperatures greater than 200°F*

CONNECTION ASSEMBLY

Swivel nut has 1 1/4" - 18" NEF thread. Bulb chambers are tapered to insure proper fit in well.

See page 5 for thermowells.

See page 3 for case dimensions.

CATALOG NUMBERS

SCALE SIZE	STEM LENGTHS	
	3 1/2"	6"
7"	AS5H-7	AS5L-7

SCALE SIZE	STEM LENGTHS			
	3 1/2"	6"	9"	12"
9"	AS5H-9	AS5L-9	AS5N-9	AS5Q-9

STANDARD TEMPERATURE RANGES

CODE	FAHRENHEIT	SCALE SIZE	
		7"	9"
09	-40 to 110°F	2°	2°
16	0 to 120°F	1°	1°
18	0 to 160°F	2°	2°
36	20 to 180°F	2°	2°
42	30 to 240°F	2°	2°
46	30 to 300°F	5°	2°
49	50 to 400°F	5°	5°
50	50 to 550°F	-	5°

CODE	CELSIUS	SCALE 9" Only
CC	-15 to 50°C	1/2°
CD	-15 to 70°C	1°
CH	0 to 115°C	1°
CJ	0 to 150°C	1°

CODE	DUAL SCALE (both °F and °C)	SCALE 9" Only
DA	-40 to 110°F & -40 to 43°C	2°/1°
DC	0 to 120°F & -17 to 49°C	1°/1/2°
DD	0 to 160°F & -17 to 71°C	2°/1°
DF	20 to 180°F & -6 to 82°C	2°/1°
DH	30 to 240°F & 0 to 114°C	2°/1°
DJ	30 to 300°F & -1 to 149°C	2°/1°
DK	50 to 400°F & 10 to 240°C	5°/2°
DL	50 to 550°F & 10 to 288°C	5°/2°

HOW TO ORDER - PLEASE SPECIFY THE FOLLOWING:

MODEL #	STEM LENGTH	SCALE SIZE	RANGE	OPTIONS
AS5	H = 3 1/2" stem N = 9" stem L = 6" stem Q = 12" stem	7 = 7" scale 9 = 9" scale	2 digit code from tables	AL = Aluminum Case P = Plastic Lens



ADJUST-ANGLE AIR DUCT THERMOMETER MODEL AS6

SIMPLE ADJUSTMENT

Just two screws permit case to be rotated 180° and stem to be positioned 10° increments allowing user to select the most desirable viewing position.

EASY READABILITY

Lens front blue liquid filled thermometer tube is mounted on V-shaped aluminum scale with bold black lines and numerals.

ACCURATE

Calibrated against standards traceable to the National Institute of Standards and Technology and guaranteed accurate to ± one scale division.

CONSTRUCTION

Standard with protective slotted bulb guard. Black molded ABS case with glass front to exclude dirt and dust is standard for ranges up to 240°F* (114°C). Aluminum case is optional at additional charge. Plastic face is optional at additional charge. *ABS case should not be subjected to temperatures greater than 200°F*

CONNECTION ASSEMBLY

Swivel nut has 1 1/4" - 18" NEF thread. Comes complete with mounting flange (P/N: All-3I)

See page 3 for case dimensions.



CAT. NO. AS6N-9 ▶

CATALOG NUMBERS

FORM	SCALE SIZE	STEM LENGTHS		
		6"	9"	12"
ADJUST ANGLE	7"	AS6L-7	-	-
	9"	AS6L-9	AS6N-9	AS6Q-9

STANDARD TEMPERATURE RANGES

CODE	FAHRENHEIT	SCALE SIZE	
		7"	9"
09	-40 to 110°F	2°	2°
16	0 to 120°F	1°	1°
18	0 to 160°F	2°	2°
36	20 to 180°F	2°	2°
42	30 to 240°F	2°	2°

CODE	CELSIUS	SCALE 9" Only
CC	-15 to 50°C	1/2°
CD	-15 to 70°C	1°
CH	0 to 115°C	1°

CODE	DUAL SCALE (both °F and °C)	SCALE 9" Only
DA	-40 to 110°F & -40 to 43°C	2°/1°
DC	0 to 120°F & -17 to 49°C	1°/1/2°
DD	0 to 160°F & -17 to 71°C	2°/1°
DF	20 to 180°F & -6 to 82°C	2°/1°
DH	30 to 240°F & 0 to 114°C	2°/1°

HOW TO ORDER - PLEASE SPECIFY THE FOLLOWING:

MODEL #	STEM LENGTH	SCALE SIZE	RANGE	OPTIONS
AS6	L = 6" stem Q = 12" stem N = 9" stem	7 = 7" scale 9 = 9" scale	2 digit code from tables	AL = Aluminum Case P = Plastic Lens

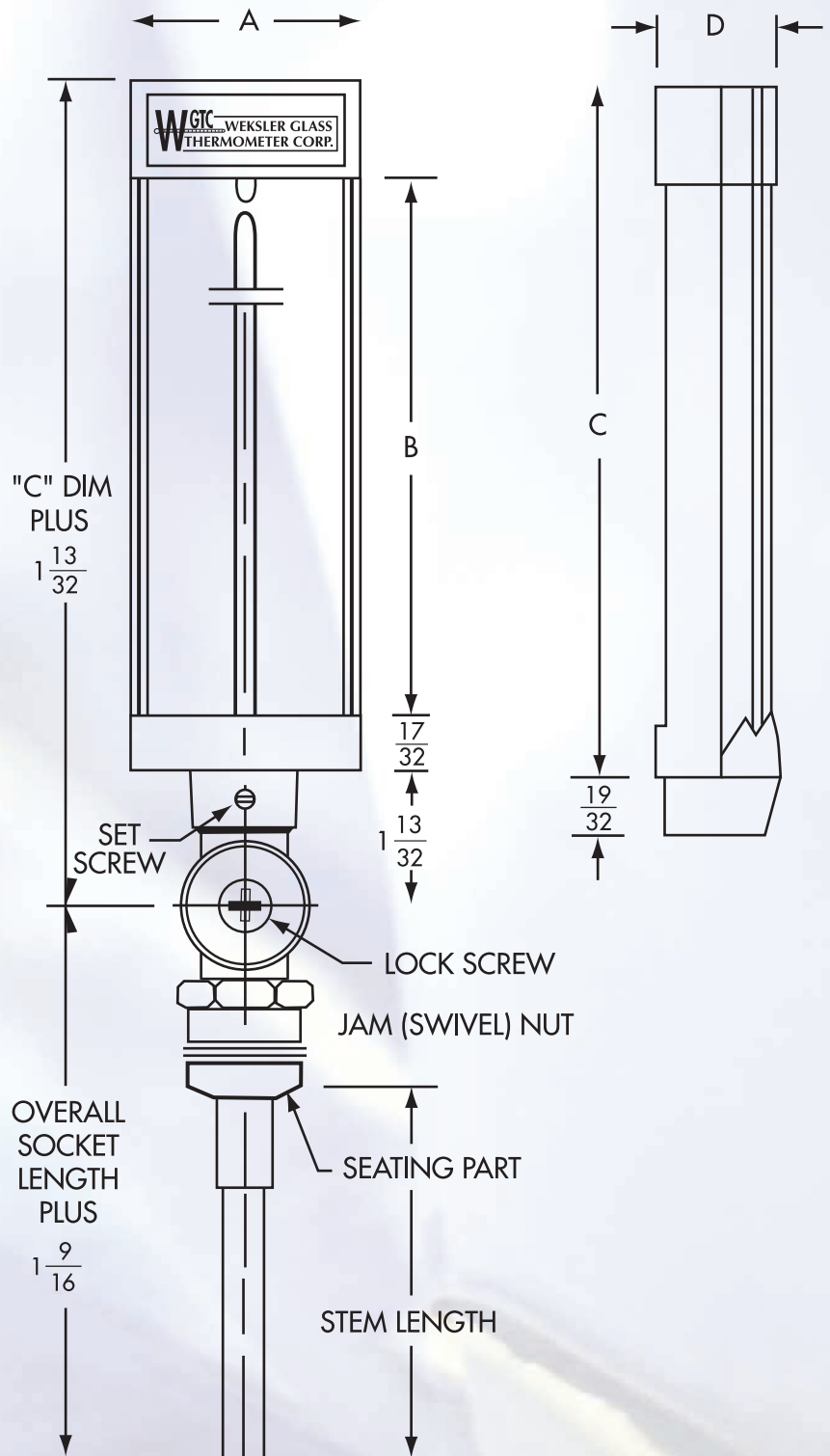
CASE DIMENSIONS FOR ADJUST-ANGLE THERMOMETER

CASE DIMENSIONS		
	SCALE SIZE	
	7"	9"
A	2 ³ / ₈ "	2 ³ / ₈ "
B	6 ³ / ₄ "	8 ³ / ₄ "
C	8 ⁵ / ₁₆ "	10 ⁵ / ₁₆ "
D	1 ¹ / ₃₂ "	1 ¹ / ₃₂ "

THERMOMETER STEM LENGTHS
3 ¹ / ₂ "
6"
9"
12"

NOTE:

Adjust - Angle Form thermometers (7" and 9" scale sizes) take "C" dimension in above table plus 2 1/8" to get the dimension from top of case to the swivel nut.



SOLAR DIGITAL INDUSTRIAL THERMOMETER MODEL AAD

CAT. NO. AADHFC ▶

Bi-directional solar panels collect light from multiple surfaces for assured response.

Records the maximum and minimum temperatures and stores them until reset or power is lost.



SPECIFICATIONS

CASE: High impact ABS black plastic

STEM: 3 1/2": zinc 6": zinc and aluminum

CONNECTION: 1 1/4" - 18 UNEF Brass jam nut

SENSOR: Glass passivated thermistor

RANGE: -58° to 302°F (-50 to 150°C),
field-switchable between °F & °C

DISPLAY: LCD, black character, 1/2" high with
gray background

ILLUMINANCE: Bi-directional solar collectors, 10 Lux

UPDATE TIME: 6 times per minute

ACCURACY: Greater value of 1° or 1% of reading

RESOLUTION: 0.10° between -58° to 199.9°F
(-50° to 93°C)

RECALIBRATION: Internal potentiometer

ENVIRONMENTAL CONDITIONS:

Ambient Temperature: -30° to 140°F (-35° to 60°C)

Ambient Temperature Error: None

Maximum Humidity: 100%

See page 5 for thermowell dimensions.

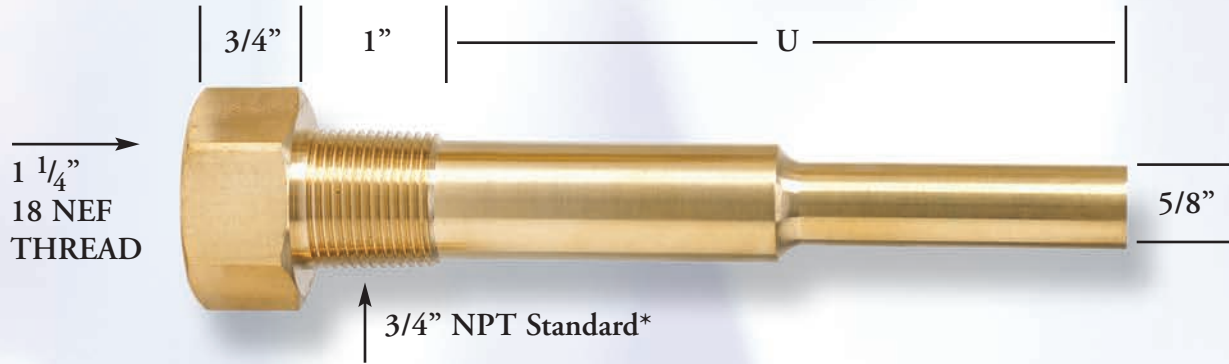
The solar-powered AAD Series Thermometer fits any standard industrial thermometer well. The bold, hi-contrast display is easily read from greater distances than the typical glass tube thermometer. The unique design includes bi-directional solar panels, allowing the unit to collect light from multiple planes.

The AAD Series Industrial Thermometer is furnished in one standard temperature range (-58 to 302°F & -50 to 150°C) which is switchable in the field greatly reducing inventory requirements.

CATALOG NUMBER	STEM LENGTH
AADHFC	3 1/2"
AADLFC	6"

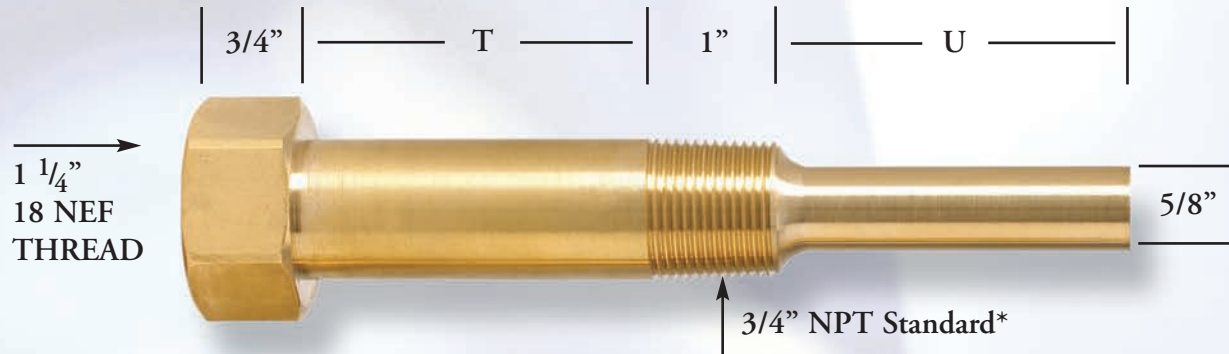
THERMOWELLS FOR ADJUST-ANGLE THERMOMETERS

STANDARD TYPE



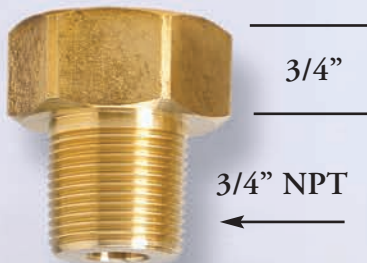
STEM LENGTH	"U" DIM.	CATALOG NUMBER			
		BRASS	STEEL	304 ST ST	316 ST ST
3 1/2"	2 1/2"	T1E3D2	T3E3D2	T6E3D2	T4E3D2
6"	5"	T1M3D2	T3M3D2	T6M3D2	T4M3D2
9"	8"	T1S3D2	T3S3D2	T6S3D2	T4S3D2
12"	11"	T1T3D2	T3T3D2	T6T3D2	T4T3D2

LAGGING EXTENSION TYPE



STEM LENGTH	"T" DIM.	"U" DIM.	CATALOG NUMBER			
			BRASS	STEEL	304 ST ST	316 ST ST
3 1/2"	1	1 1/2"	T1E3D2B	T3E3D2B	T6E3D2B	T4E3D2B
6"	2 1/2"	2 1/2"	T1M3D2E	T3M3D2E	T6M3D2E	T4M3D2E
9"	3"	5"	T1S3D2E	T3S3D2E	T6S3D2E	T4S3D2E
12"	3"	8"	T1T3D2E	T3T3D2E	T6T3D2E	T4T3D2E

1 1/4" 18 NEF THREAD



CATALOG NUMBER	
BRASS	304 ST ST
T143D2	T643D2

*1/2" NPT and 1" NPT available - consult factory

5" SCALE SUBMARINE THERMOMETERS MODEL 140

STANDARD FEATURES

- 5" scale size
- V-shaped aluminum scale with black figures
- Lens front, blue liquid filled tube
- Gray ABS case
- Glass face (window) to exclude dirt and dust
- Available with:
 - 2" nominal stem length for 3 1/4" OA thermowell
 - 4" nominal stem length for 5 1/4" OA thermowell

CATALOG NUMBERS

SCALE SIZE	STEM LENGTHS	
5"	2"	4"
STRAIGHT	140G	140K

STANDARD TEMPERATURE RANGES

CODE	DUAL SCALE (both °F and °C)
DA	-40 / 110°F (2° Div.) and -40 / 40C (2° Div.)
DF	20 / 180°F (2° Div.) and -6 / 82C (1° Div.)
DH	30 / 240°F (2° Div.) and 0 / 114C (2° Div.)
DK	50 / 400°F (5° Div.) and 10 / 200C (5° Div.)

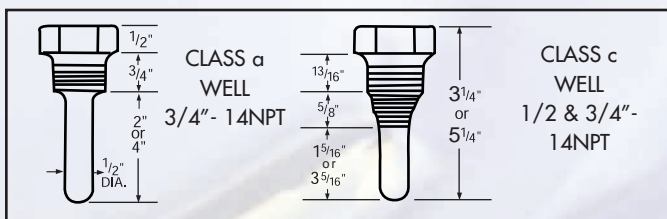
THERMOWELLS

WELL CLASS	STEM LENGTH	WELL LENGTH	CATALOG NUMBER	
			BRASS	304 ST ST
a	2"	3 1/4"	*	W3G1
	4"	5 1/4"		W5G1
c	2"	3 1/4"	W3B3	W3G3
	4"	5 1/4"	W5B3	W5G3

*Brass wells only available in Class C

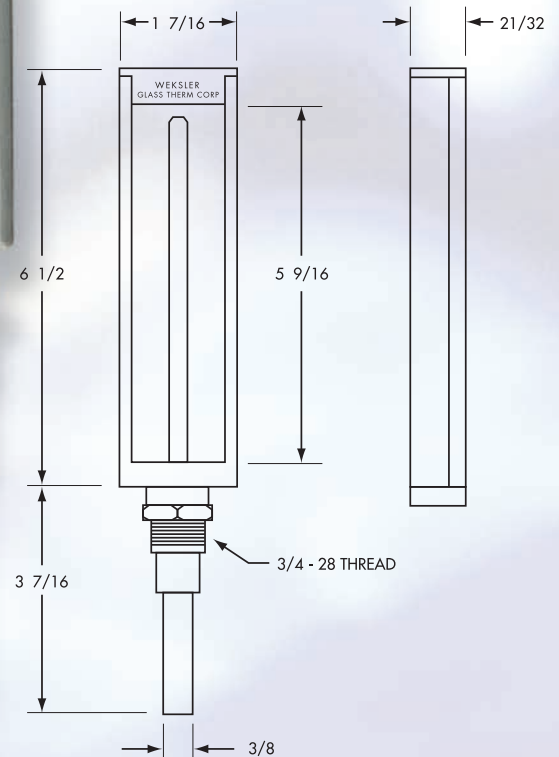
THERMOWELL DIMENSIONS

3/4"-28" Female Thread (Internal)



◀ **CAT. NO. 140G**

Back angle form available. See page 7.



HOW TO ORDER - PLEASE SPECIFY THE FOLLOWING:

MODEL #	STEM LENGTH	RANGE	SPIRIT FILL
140	G = 2" stem K = 4" stem	2 digit code from table	S

5" SCALE SUBMARINE THERMOMETERS MODEL 141

STANDARD FEATURES

- 5" scale size
- V-shaped aluminum scale with black figures
- Lens front, blue liquid filled tube
- Gray ABS case
- Glass face (window) to exclude dirt and dust
- Available with:
 - 2" nominal stem length for 3 1/4" OA thermowell
 - 4" nominal stem length for 5 1/4" OA thermowell

CATALOG NUMBERS

SCALE SIZE	STEM LENGTHS	
5"	2"	4"
90° BACK ANGLE	141G	141K

STANDARD TEMPERATURE RANGES

CODE	DUAL SCALE (both °F and °C)
DA	-40 / 110°F (2° Div.) and -40 / 40C (2° Div.)
DF	20 / 180°F (2° Div.) and -6 / 82C (1° Div.)
DH	30 / 240°F (2° Div.) and 0 / 114C (2° Div.)
DK	50 / 400°F (5° Div.) and 10 / 200C (5° Div.)

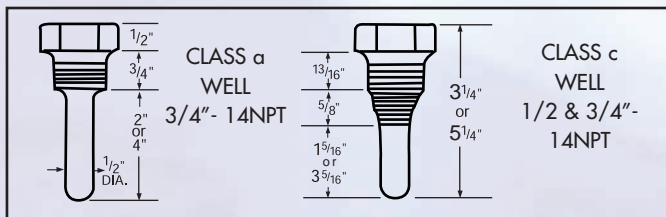
THERMOWELLS

WELL CLASS	STEM LENGTH	WELL LENGTH	CATALOG NUMBER	
			BRASS	304 ST ST
a	2"	3 1/4"	*	W3G1
	4"	5 1/4"		W5G1
c	2"	3 1/4"	W3B3	W3G3
	4"	5 1/4"	W5B3	W5G3

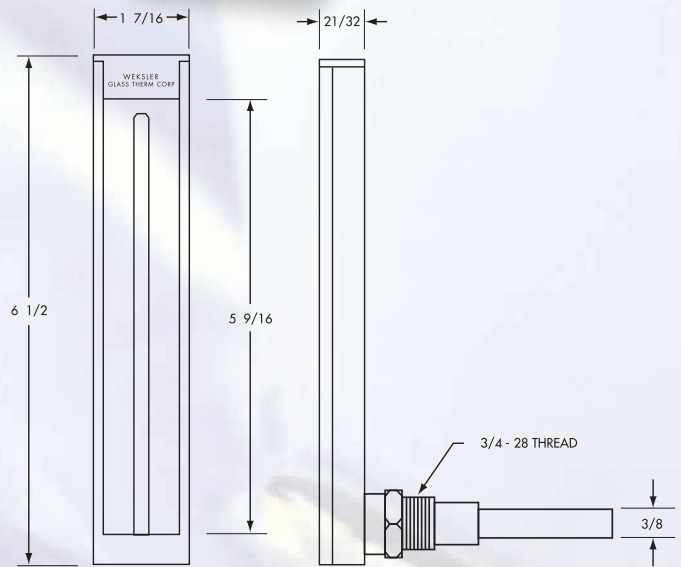
*Brass wells only available in Class C

THERMOWELL DIMENSIONS

3/4"-28" Female Thread (Internal)



◀ **CAT. NO. 141G**
Straight form available.
See page 6.



HOW TO ORDER - PLEASE SPECIFY THE FOLLOWING:

MODEL #	STEM LENGTH	RANGE	SPIRIT FILL
141	G = 2" stem K = 4" stem	2 digit code from table	S

5" SCALE SUPER ECONOMY THERMOMETER MODEL 152FC

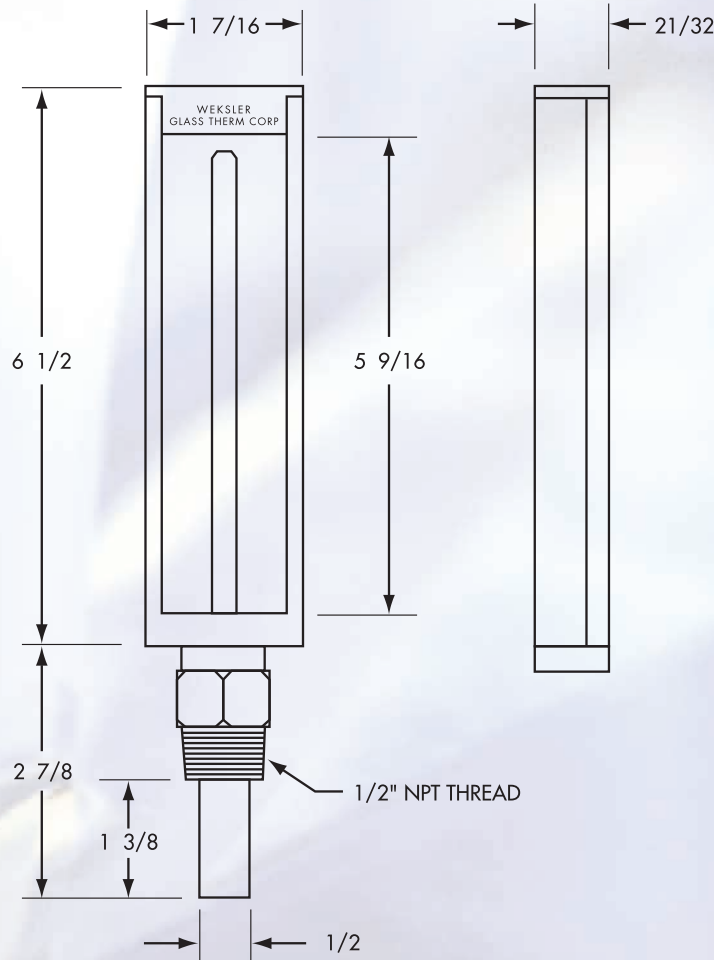
STANDARD FEATURES

- Range 40 to 260° F and C
- Gray ABS case
- No glass face (window)
- Lens front red liquid filled tube
- V-shaped aluminum scale, black figures and graduations on white background
- Complete with 1/2" NPT brass well, 2" nominal length

CAT. NO.
152FC ▶

CATALOG NUMBER

FORM	2" STEM
STRAIGHT	152FC



*Back angle form available.
See page 9.*

5" SCALE SUPER ECONOMY THERMOMETER MODEL 153FC

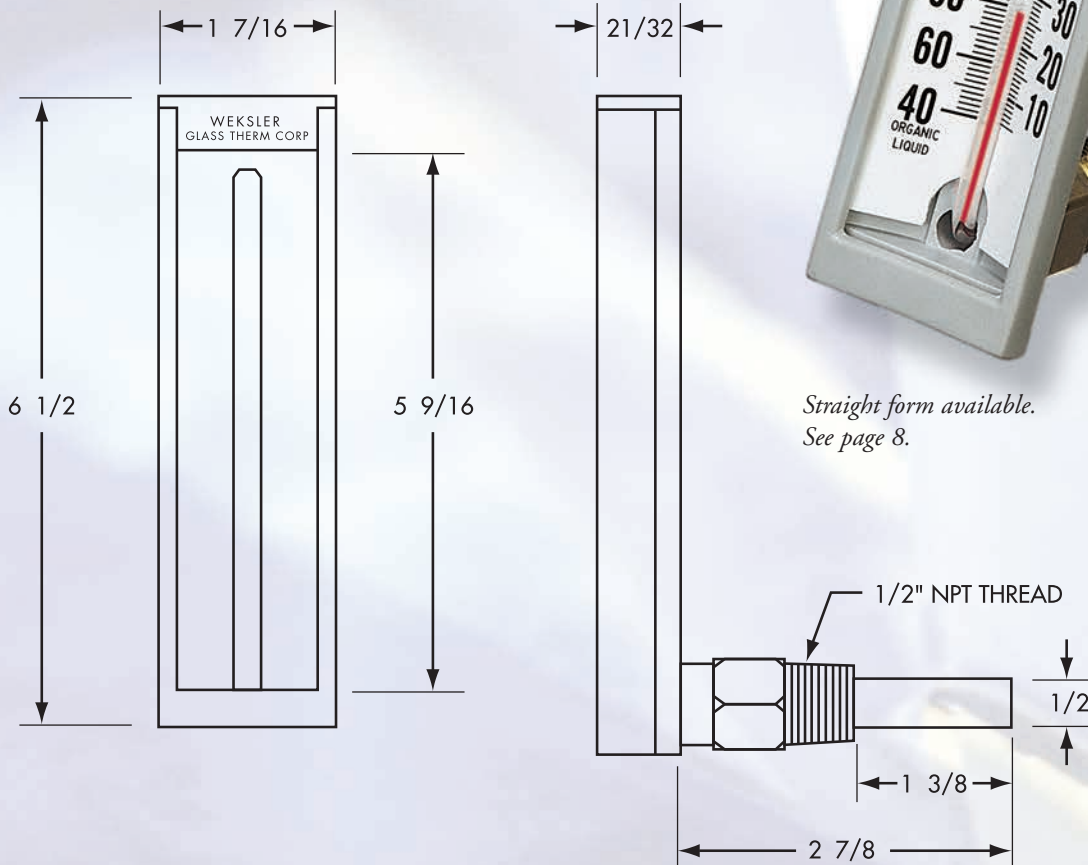
STANDARD FEATURES

- Range 40 to 260° F and C
- Gray ABS case
- No glass face (window)
- Lens front red liquid filled tube
- V-shaped aluminum scale, black figures and graduations on white background
- Complete with 1/2" NPT brass well, 2" nominal length

CATALOG NUMBER

FORM	2" STEM
90° BACK ANGLE	153FC

CAT. NO. **153FC**



*Straight form available.
See page 8.*

STANDARD POCKET TYPES

FILL	RANGE	DIVS.	CATALOG NUMBERS		
			COMPLETE UNIT		
			POCKET CASE	ARMOR CASE	DUPLEX CASE
RED LIQUID	-30 to 120°F	2°	5150	5151	5152
	0 to 120°F	2°	5156	5157	5158
	0 to 220°F	2°	5159	5160	5161
	-30 to 50°C	1°	5253	5254	5255
	-10 to 110°C	1°	5262	5263	5264
	0 to 220°F and -15 to 105°C	2° 1°	5359	-	-

POCKET THERMOMETERS

5 1/2" in length, calibrated for total immersion, round white back glass with red liquid. Available with standard pocket case, open faced armor case (protects against breakage) or combination duplex case. All cases are nickel plated brass and have pocket clip.

LABORATORY GRADE THERMOMETERS

For laboratory, industrial, or general testing. Ring top standard. Also available in nickel-plated armor.

RED ORGANIC LIQUID FILLED

TOTAL IMMERSION TYPES									
RANGE	DIVS.	LENGTH	CATALOG NUMBERS		RANGE	DIVS.	LENGTH	CATALOG NUMBERS	
			RING TOP	COMPLETE IN ARMOR CASE				RING TOP	COMPLETE IN ARMOR CASE
-100 to 100°F	1°	12"	2138S	-	-100 to 50°C	1°	12"	2239S	-
-40 to 120°F	2°	12"	3100S	3100SA	-20 to 110°C	1°	12"	3202S	3202SA
0 to 220°F	2°	12"	3102S	3102SA	-20 to 150°C	1°	12"	3204S	3204SA
0 to 300°F	2°	12"	3104S	3104SA					



▲
CAT. NO.
3102SA / 3100S

**NO. 317S
POCKET SLING PSYCHROMETER**

Two 5 1/2" red liquid filled lens front thermometers attached to metal back with handle for whirling. Handle folds out of way when not in use. Supplied with humidity table, wick, and pocket case. **Range:** 20 to 110°F in 1° divs.

**NO. 317CS
CELSIUS POCKET SLING
PSYCHROMETER**

Same as 317S except range - 5/45°C in 1° divs.

REPLACEMENT THERMOMETERS

**NO. 317RS
NO. 317RCS**

Tube only for 317S psychrometer.
Tube only for 317CS psychrometer.

**NO. 315 -1S
SLING PSYCHROMETER WEATHER
BUREAU TYPE**

Two 9 1/2" red liquid filled thermometers mounted on stainless steel back, with swivel type handle. Furnished with wick and humidity tables. **Range:** -20/120°F

**NO. 315 -1CS
CELSIUS POCKET SLING
PSYCHROMETER WEATHER
BUREAU TYPE**

Same as 315-1S except range - 30/50°C.

REPLACEMENT THERMOMETERS

**NO. 315R-1S
NO. 315R-1CS**

Tube only for 315-1S psychrometer.
Tube only for 315-1CS psychrometer.

WICKSNO. 317W

Package of 36 extra wicks only for Cat. No. 315 psychrometers or Cat. No. 317 psychrometers.

**POCKET PSYCHROMETER
SLIDE RULENO. 318**

Quickly converts wet and dry bulb temperatures into percent of relative humidity. Durable plastic, approximately 6 3/4" x 7/8".

HUMIDITY TABLENO. 318C

Plastic coated 10" x 12" psychrometric chart.

SCOOPMASTER TANK THERMOMETERS

To API and ASTM requirements. 12" length lens front blue liquid tube in 14" black plastic chemical resistant case with 120ml cup.

CATALOG NO. COMPLETE IN CASE	ASTM TUBE NO.	RANGE (APPROX.)	DIV.	CATALOG NO. REFILL TUBE ONLY
272-1P	58F	MINUS 30 TO 120°F	1°	272R1P
272-2P	97F	0 TO 120°F	1°	272R2P
272-3P	59F	0 TO 180°F	1°	272R3P
272-5P	-	20 TO 220°F	1°	272R5P
272C1P	-	MINUS 7 TO 105°C	1°	272RC1P
272C2P	58C	MINUS 34 TO 49°C	1/2°	272RC2P
272C3P	59C	MINUS 18 TO 82°C	1/2°	272RC3P

Case only for Scoopmaster Tank Thermometer Specify Cat. No. 272 Case

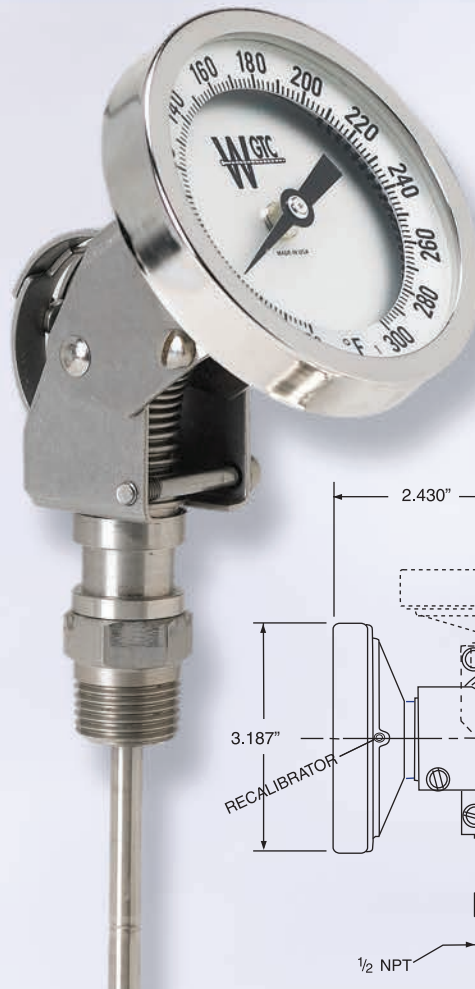
**DUAL SCALE INDOOR WALL
THERMOMETERNO. 206FC**

Range 20/120°F and - 12/50°C (approximate). Permits easy reading at normal room temperatures. Red spirit filled tube with matched anodized aluminum scale. Mounted on 8 1/2" wood back.

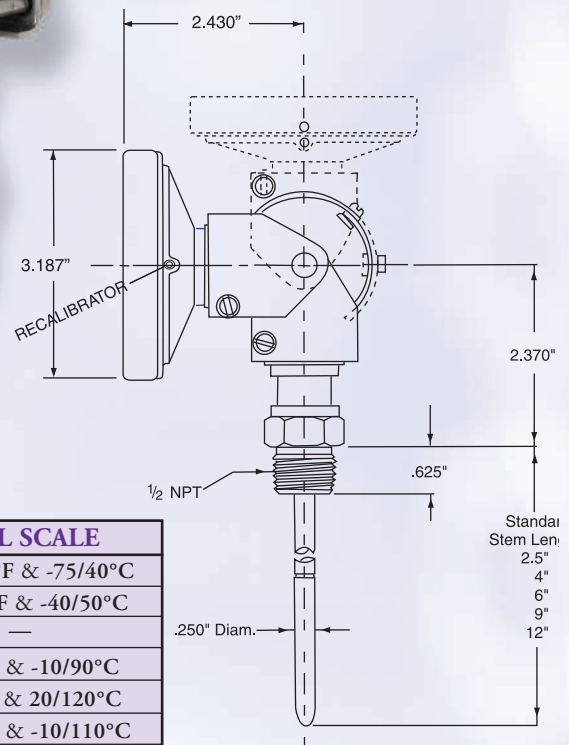
3" DIAL ADJUST-ANGLE BIMETAL MODEL 3AA

STANDARD FEATURES

- 3" dial size
- All welded 304 stainless steel construction
- Silicone dampened bimetal element
- Easy external recalibration adjustment with 1/16" Allen Head wrench
- Anti-parallax dial
- Hermetically sealed per ASME B40.3
- Accurate to 1% per ASME B40.3 (for accurate reading thermometer must be immersed past groove on lower portion of stem)
- Over-range protection is 50% up to 500°F (10% above 500°F)
- Fully gasketed glass lens. Plastic or shatterproof lens is available.



◀ MODEL 3AA
3" Dial
5" dial available.
See page 13.



See page 20 for thermowells.

TEMPERATURE RANGES

CODE	FAHRENHEIT	CODE	CELSIUS	CODE	DUAL SCALE
01	-100/100°F	CZ	-50/100°C	DB	-100/100°F & -75/40°C
02	-40/120°F	CB	-50/50°C	DE	-40/120°F & -40/50°C
03	0/150°F	CE	-50/25°C	-	-
04	0/200°F	CF	-40/70°C	DF	0/200°F & -10/90°C
05	0/250°F	CG	-10/110°C	DG	0/250°F & 20/120°C
06	20/240°F	CK	0/50°C	DK	20/240°F & -10/110°C
07	25/125°F	CN	0/100°C	DN	25/125°F & 0/50°C
08	50/250°F	CP	0/150°C	-	-
09	50/300°F	CQ	0/200°C	DQ	50/300°F & 10/150°C
10	50/400°F	CR	0/250°C	DR	50/400°F & 0/200°C
11	50/500°F	CS	0/300°C	DS	50/500°F & 0/250°C
12	150/750°F	CT	100/400°C	DT	150/750°F & 50/400°C
13	*200/1000°F	CU	*100/550°C	DU	*200/1000°F & 100/550°C

*Not recommended for continuous use above 800°F or 425°C

- Silicone filled models available for extreme vibration or low temperature application

HOW TO ORDER - PLEASE SPECIFY THE FOLLOWING:

MODEL #	STEM LENGTH	RANGE	OPTIONS
3AA	02 = 2 1/2" stem 09 = 9" stem 04 = 4" stem 12 = 12" stem 06 = 6" stem	2 digit code from tables	AA = Plastic Lens SS = Shatterproof Lens UU = Union Connection BB = 3/8" Diameter Stem FF = Silicone Filled Case

5" DIAL ADJUST-ANGLE BIMETAL MODEL 5AA

STANDARD FEATURES

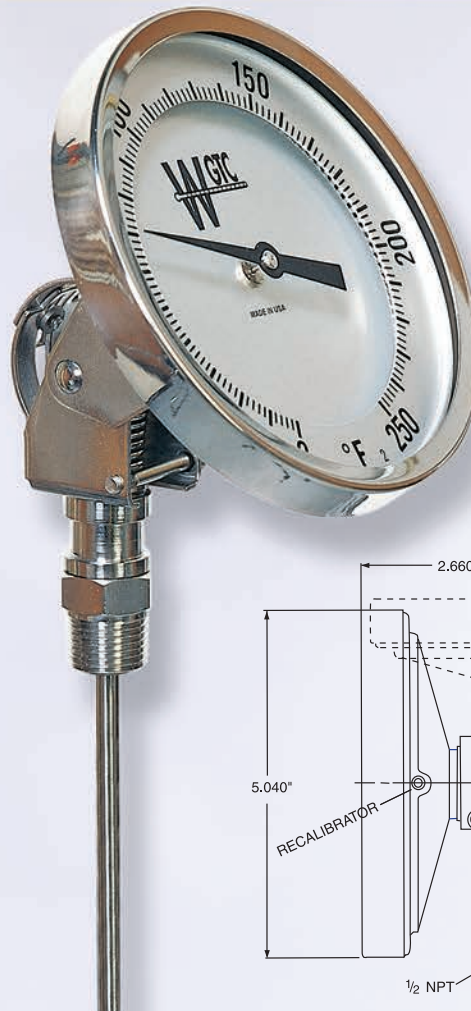
- 5" dial size
- All welded 304 stainless steel construction
- Silicone dampened bimetal element
- Easy external recalibration adjustment with 1/16" Allen Head wrench
- Anti-parallax dial
- Hermetically sealed per ASME B40.3
- Accurate to 1% per ASME B40.3 (for accurate reading thermometer must be immersed past groove on lower portion of stem)
- Over-range protection is 50% up to 500°F (10% above 500°F)
- Fully gasketed glass lens. Plastic or shatterproof lens is available.

See page 20 for thermowells.

TEMPERATURE RANGES

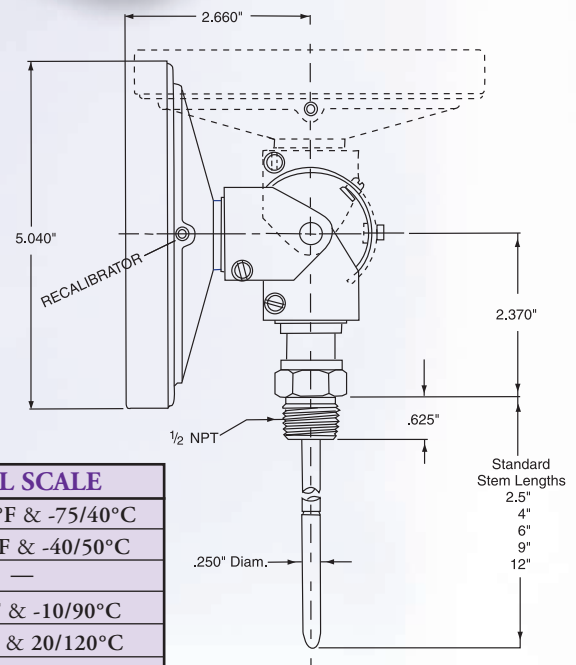
CODE	FAHRENHEIT	CODE	CELSIUS	CODE	DUAL SCALE
01	-100/100°F	CZ	-50/100°C	DB	-100/100°F & -75/40°C
02	-40/120°F	CB	-50/50°C	DE	-40/120°F & -40/50°C
03	0/150°F	CE	-50/25°C	-	-
04	0/200°F	CF	-40/70°C	DF	0/200°F & -10/90°C
05	0/250°F	CG	-10/110°C	DG	0/250°F & 20/120°C
06	20/240°F	CK	0/50°C	DK	20/240°F & -10/110°C
07	25/125°F	CN	0/100°C	DN	25/125°F & 0/50°C
08	50/250°F	CP	0/150°C	-	-
09	50/300°F	CQ	0/200°C	DQ	50/300°F & 10/150°C
10	50/400°F	CR	0/250°C	DR	50/400°F & 0/200°C
11	50/500°F	CS	0/300°C	DS	50/500°F & 0/250°C
12	150/750°F	CT	100/400°C	DT	150/750°F & 50/400°C
13	*200/1000°F	CU	*100/550°C	DU	*200/1000°F & 100/550°C

*Not recommended for continuous use above 800°F or 425°C



◀ MODEL 5AA 5" Dial

3" dial available.
See page 12.



- Silicone filled models available for extreme vibration or low temperature application

HOW TO ORDER - PLEASE SPECIFY THE FOLLOWING:

MODEL #	STEM LENGTH	RANGE	OPTIONS
5AA	02 = 2 1/2" stem 04 = 4" stem 06 = 6" stem 09 = 9" stem 12 = 12" stem	2 digit code from tables	AA = Plastic Lens UU = Union Connection FF = Silicone Filled Case SS = Shatterproof Lens BB = 3/8" Diameter Stem

5" DIAL ADJUST-ANGLE BIMETAL "E" SERIES - MODEL 5AAE

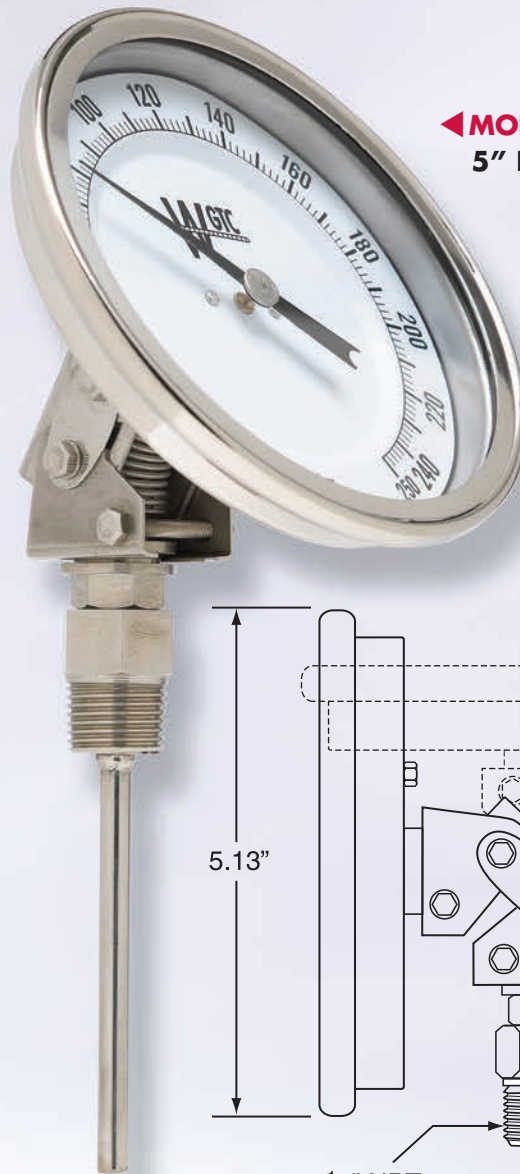
STANDARD FEATURES

- 5" dial size
- 2 1/2", 4" and 6" stems only
- All welded 304 stainless steel construction
- Silicone dampened bimetal element
- Sealed against dust, dirt and moisture
- Easy external recalibration adjustment
- Anti-parallax dial
- Accurate to 1% per ASME B40.3
- Over-range protection is 50% up to 500°F
- Fully gasketed glass lens

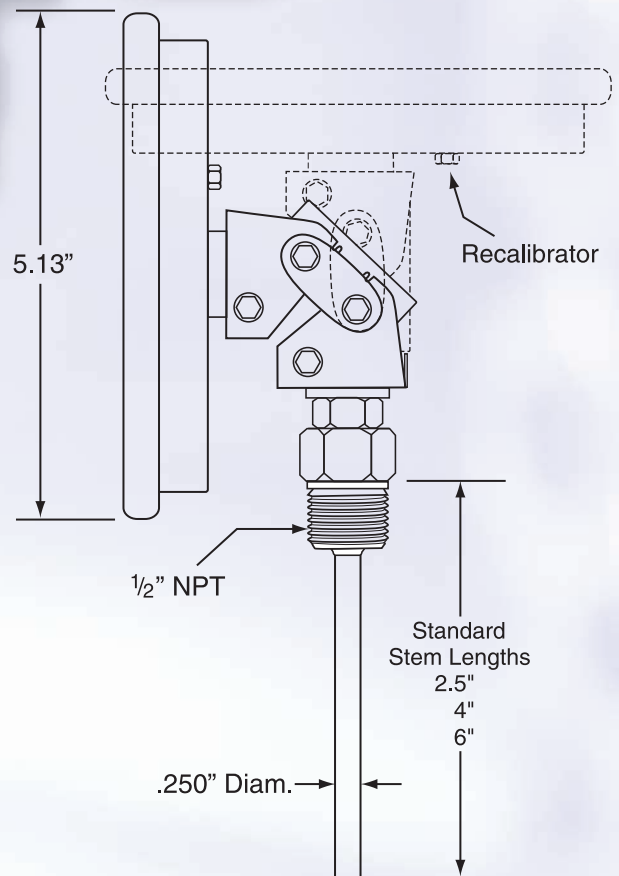
See page 20 for thermowells.

TEMPERATURE RANGES

CODE	FAHRENHEIT
02	-40/120°F
03	0/150°F
04	0/200°F
05	0/250°F
06	20/240°F
07	25/125°F
09	50/300°F
10	50/400°F
11	50/500°F



◀ **MODEL 5AAE**
5" Dial



HOW TO ORDER - PLEASE SPECIFY THE FOLLOWING:

MODEL #	STEM LENGTH	"E" SERIES	RANGE
5AA	02 = 2 1/2" stem 06 = 6" stem 04 = 4" stem	E	2 digit code from table

3" DIAL BOTTOM CONNECTED BIMETAL MODEL 3BM

STANDARD FEATURES

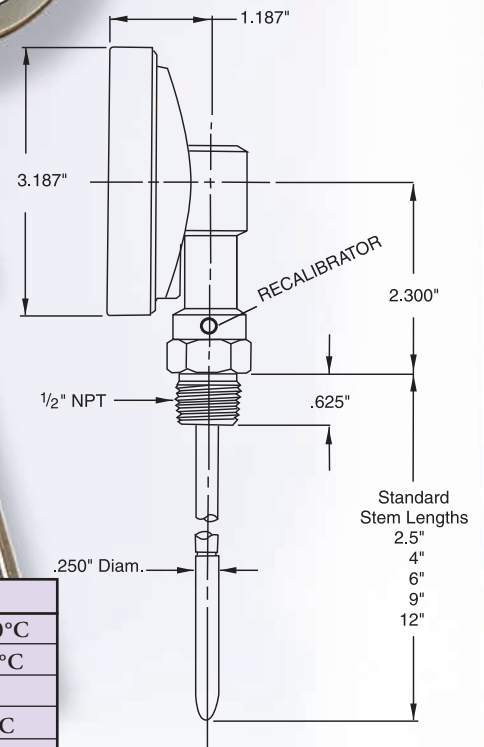
- 3" dial size
- All welded 304 stainless steel construction
- Silicone dampened bimetal element
- Easy external recalibration adjustment with 3/32" Allen Head wrench
- Anti-parallax dial
- Hermetically sealed per ASME B40.3
- Accurate to 1% per ASME B40.3 (for accurate reading thermometer must be immersed past groove on lower portion of stem)
- Over-range protection is 50% up to 500°F (10% above 500°F)
- Fully gasketed glass lens. Plastic or shatterproof lens is available.

See page 20 for thermowells.



MODEL 3BM 3" Dial

5" dial available.
See page 16.



TEMPERATURE RANGES

CODE	FAHRENHEIT	CODE	CELSIUS	CODE	DUAL SCALE
01	-100/100°F	CZ	-50/100°C	DB	-100/100°F & -75/40°C
02	-40/120°F	CB	-50/50°C	DE	-40/120°F & -40/50°C
03	0/150°F	CE	-50/25°C	-	—
04	0/200°F	CF	-40/70°C	DF	0/200°F & -10/90°C
05	0/250°F	CG	-10/110°C	DG	0/250°F & 20/120°C
06	20/240°F	CK	0/50°C	DK	20/240°F & -10/110°C
07	25/125°F	CN	0/100°C	DN	25/125°F & 0/50°C
08	50/250°F	CP	0/150°C	-	—
09	50/300°F	CQ	0/200°C	DQ	50/300°F & 10/150°C
10	50/400°F	CR	0/250°C	DR	50/400°F & 0/200°C
11	50/500°F	CS	0/300°C	DS	50/500°F & 0/250°C
12	150/750°F	CT	100/400°C	DT	150/750°F & 50/400°C
13	*200/1000°F	CU	*100/550°C	DU	*200/1000°F & 100/550°C

*Not recommended for continuous use above 800°F or 425°C

HOW TO ORDER - PLEASE SPECIFY THE FOLLOWING:

MODEL #	STEM LENGTH	RANGE	OPTIONS
3BM	02 = 2 1/2" stem 04 = 4" stem 06 = 6" stem 09 = 9" stem 12 = 12" stem	2 digit code from tables	AA = Plastic Lens UU = Union Connection FF = Silicone Filled Case SS = Shatterproof Lens BB = 3/8" Diameter Stem

5" DIAL BOTTOM CONNECTED BIMETAL MODEL 5BM

STANDARD FEATURES

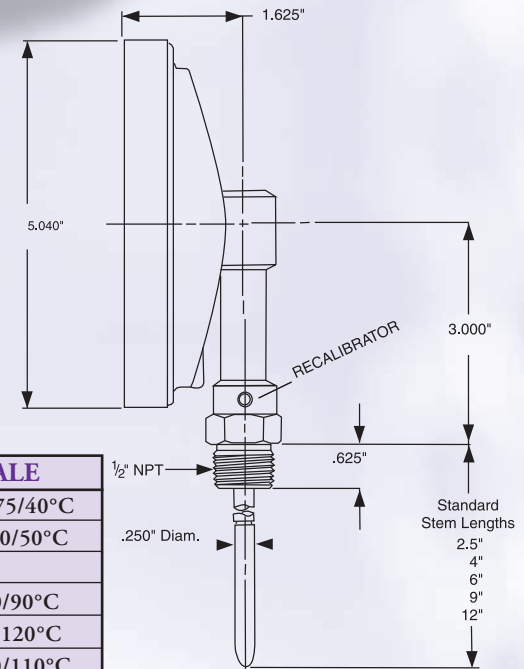
- 5" dial size
- All welded 304 stainless steel construction
- Silicone dampened bimetal element
- Easy external recalibration adjustment with 3/32" Allen Head wrench
- Anti-parallax dial
- Hermetically sealed per ASME B40.3
- Accurate to 1% per ASME B40.3 (for accurate reading thermometer must be immersed past groove on lower portion of stem)
- Over-range protection is 50% up to 500°F (10% above 500°F)
- Fully gasketed glass lens. Plastic or shatterproof lens is available.

See page 20 for thermowells.



MODEL 5BM 5" Dial

3" dial available.
See page 15.



TEMPERATURE RANGES

CODE	FAHRENHEIT
01	-100/100°F
02	-40/120°F
03	0/150°F
04	0/200°F
05	0/250°F
06	20/240°F
07	25/125°F
08	50/250°F
09	50/300°F
10	50/400°F
11	50/500°F
12	150/750°F
13	*200/1000°F

CODE	CELSIUS
CZ	-50/100°C
CB	-50/50°C
CE	-50/25°C
CF	-40/70°C
CG	-10/110°C
CK	0/50°C
CN	0/100°C
CP	0/150°C
CQ	0/200°C
CR	0/250°C
CS	0/300°C
CT	100/400°C
CU	*100/550°C

CODE	DUAL SCALE
DB	-100/100°F & -75/40°C
DE	-40/120°F & -40/50°C
-	-
DF	0/200°F & -10/90°C
DG	0/250°F & 20/120°C
DK	20/240°F & -10/110°C
DN	25/125°F & 0/50°C
-	-
DQ	50/300°F & 10/150°C
DR	50/400°F & 0/200°C
DS	50/500°F & 0/250°C
DT	150/750°F & 50/400°C
DU	*200/1000°F & 100/550°C

- Silicone filled models available for extreme vibration or low temperature application

*Not recommended for continuous use above 800°F or 425°C

HOW TO ORDER - PLEASE SPECIFY THE FOLLOWING:			
MODEL #	STEM LENGTH	RANGE	OPTIONS
5BM	02 = 2 1/2" stem 04 = 4" stem 06 = 6" stem 09 = 9" stem 12 = 12" stem	2 digit code from tables	AA = Plastic Lens UU = Union Connection FF = Silicone Filled Case SS = Shatterproof Lens BB = 3/8" Diameter Stem

3" DIAL BACK CONNECTED BIMETAL MODEL 3BK

STANDARD FEATURES

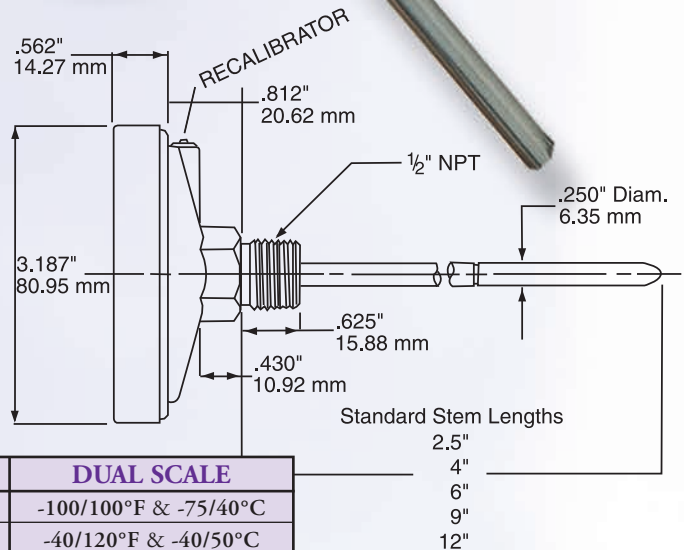
- 3" dial size
- All welded 304 stainless steel construction
- Silicone dampened bimetal element
- Easy external recalibration adjustment with 1/16" Allen Head wrench
- Anti-parallax dial
- Hermetically sealed per ASME B40.3
- Accurate to 1% per ASME B40.3 (for accurate reading thermometer must be immersed past groove on lower portion of stem)
- Over-range protection is 50% up to 500°F (10% above 500°F)
- Fully gasketed glass lens. Plastic or shatterproof lens is available.

See page 20 for thermowells.



MODEL 3BK
3" Dial

5" dial available.
See page 19.



TEMPERATURE RANGES

CODE	FAHRENHEIT
01	-100/100°F
02	-40/120°F
03	0/150°F
04	0/200°F
05	0/250°F
06	20/240°F
07	25/125°F
08	50/250°F
09	50/300°F
10	50/400°F
11	50/500°F
12	150/750°F
13	*200/1000°F

CODE	CELSIUS
CZ	-50/100°C
CB	-50/50°C
CE	-50/25°C
CF	-40/70°C
CG	-10/110°C
CK	0/50°C
CN	0/100°C
CP	0/150°C
CQ	0/200°C
CR	0/250°C
CS	0/300°C
CT	100/400°C
CU	*100/550°C

CODE	DUAL SCALE
DB	-100/100°F & -75/40°C
DE	-40/120°F & -40/50°C
-	-
DF	0/200°F & -10/90°C
DG	0/250°F & 20/120°C
DK	20/240°F & -10/110°C
DN	25/125°F & 0/50°C
-	-
DQ	50/300°F & 10/150°C
DR	50/400°F & 0/200°C
DS	50/500°F & 0/250°C
DT	150/750°F & 50/400°C
DU	*200/1000°F & 100/550°C

- Silicone filled models available for extreme vibration or low temperature application
- 3/8" Diameter stem available

*Not recommended for continuous use above 800°F or 425°C

HOW TO ORDER - PLEASE SPECIFY THE FOLLOWING:			
MODEL #	STEM LENGTH	RANGE	OPTIONS
3BK	02 = 2 1/2" stem 09 = 9" stem 04 = 4" stem 12 = 12" stem 06 = 6" stem	2 digit code from tables	AA = Plastic Lens BB = 3/8" Diameter Stem UU = Union Connection MA = Max. and min. hands FF = Silicone Filled Case MO = Max. or min. hand SS = Shatterproof Lens

3" DIAL BACK CONNECTED BIMETAL "E" SERIES - MODEL 3BKE

STANDARD FEATURES

- 3" dial size
- 2 1/2", 4" and 6" stems only
- All welded 304 stainless steel construction
- Silicone dampened bimetal element
- Accurate to 1% per ASME B40.3
- External recalibration adjustment
- Anti-parallax dial
- Sealed to exclude dust, dirt, and moisture
- Over-range protection is 50% up to 500°F (10% above 500F)
- Fully gasketed glass lens

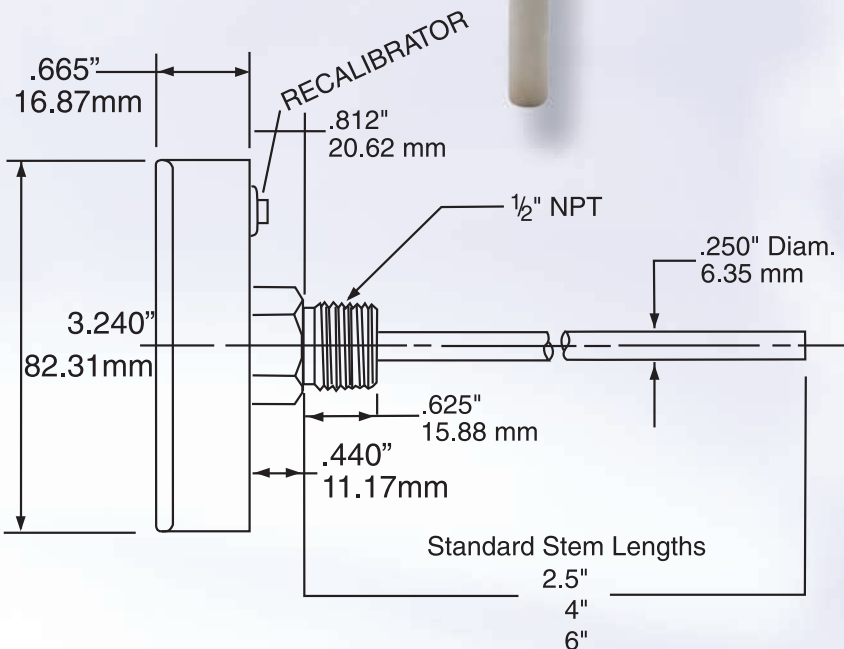
See page 20 for thermowells.



MODEL 3BKE ▶
3" Dial

TEMPERATURE RANGES

CODE	FAHRENHEIT
02	-40/120°F
03	0/150°F
04	0/200°F
05	0/250°F
06	20/240°F
07	25/125°F
09	50/300°F
10	50/400°F
11	50/500°F



HOW TO ORDER - PLEASE SPECIFY THE FOLLOWING:

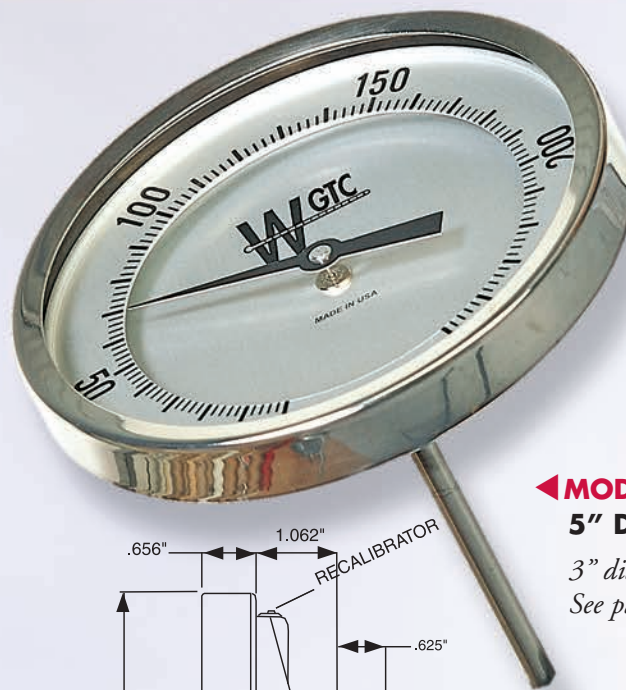
MODEL #	STEM LENGTH	"E" SERIES	RANGE
3BK	02 = 2 1/2" stem 04 = 4" stem 06 = 6" stem	E	2 digit code from table

5" DIAL BACK CONNECTED BIMETAL MODEL 5BK

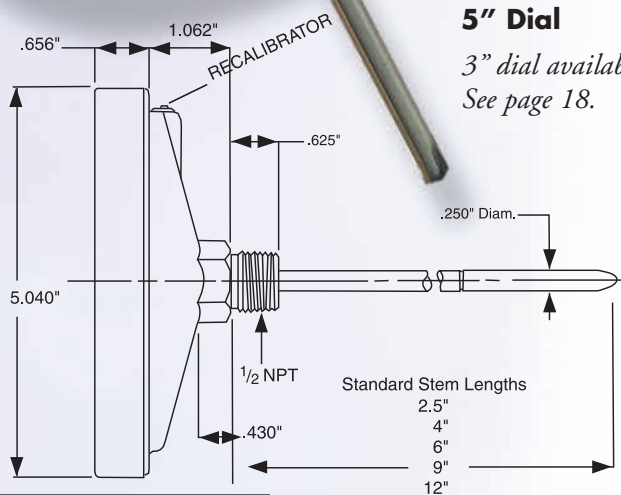
STANDARD FEATURES

- 5" dial size
- All welded stainless steel construction
- Silicone dampened bimetal element
- Easy external recalibration adjustment with 1/16" Allen Head wrench
- Anti-parallax dial
- Hermetically sealed per ASME B40.3
- Accurate to 1% per ASME B40.3 (for accurate reading thermometer must be immersed past groove on lower portion of stem)
- Over-range protection is 50% up to 500°F (10% above 500°F)
- Fully gasketed glass lens. Plastic or shatterproof lens is available.

See page 20 for thermowells.



◀ **MODEL 5BK**
5" Dial
3" dial available.
See page 18.



TEMPERATURE RANGES

CODE	FAHRENHEIT
01	-100/100°F
02	-40/120°F
03	0/150°F
04	0/200°F
05	0/250°F
06	20/240°F
07	25/125°F
08	50/250°F
09	50/300°F
10	50/400°F
11	50/500°F
12	150/750°F
13	*200/1000°F

CODE	CELSIUS
CZ	-50/100°C
CB	-50/50°C
CE	-50/25°C
CF	-40/70°C
CG	-10/110°C
CK	0/50°C
CN	0/100°C
CP	0/150°C
CQ	0/200°C
CR	0/250°C
CS	0/300°C
CT	100/400°C
CU	*100/550°C

CODE	DUAL SCALE
DB	-100/100°F & -75/40°C
DE	-40/120°F & -40/50°C
-	-
DF	0/200°F & -10/90°C
DG	0/250°F & 20/120°C
DK	20/240°F & -10/110°C
DN	25/125°F & 0/50°C
-	-
DQ	50/300°F & 10/150°C
DR	50/400°F & 0/200°C
DS	50/500°F & 0/250°C
DT	150/750°F & 50/400°C
DU	*200/1000°F & 100/550°C

- Silicone filled models available for extreme vibration or low temperature application

*Not recommended for continuous use above 800°F or 425°C

HOW TO ORDER - PLEASE SPECIFY THE FOLLOWING:

MODEL #	STEM LENGTH	RANGE	OPTIONS
5BK	02 = 2 1/2" stem 09 = 9" stem 04 = 4" stem 12 = 12" stem 06 = 6" stem	2 digit code from tables	AA = Plastic Lens BB = 3/8" Diameter Stem UU = Union Connection MA = Max. and min. hands FF = Silicone Filled Case MO = Max. or min. hand SS = Shatterproof Lens

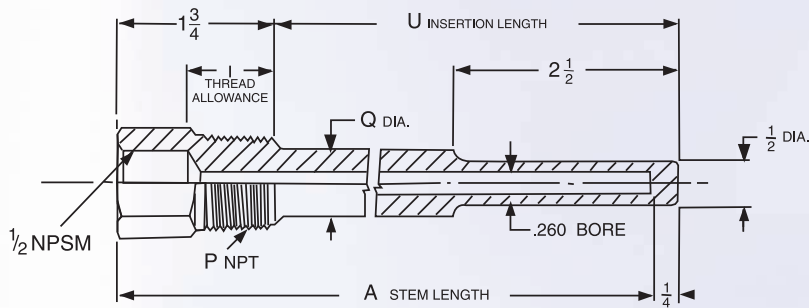
THERMOWELLS FOR BIMETAL THERMOMETERS

APPLICATION:

Fits 1/4" stem diameter, bimetal thermometers.
Standard thermowell is stepped to 1/2" OD except 2-1/2" insertion. Please specify if straight shank is required.

MODEL 2SS

Without lagging extension for 1/4" diameter stem

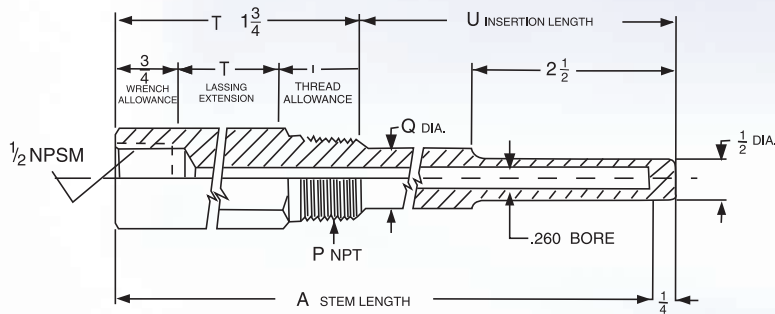


3/4 NPT - CATALOG NUMBERS

A	U	Q	BRASS	304SS	316SS
4	2 1/2	-	2SS413	2SS443	2SS463
6	4 1/2	3/4	2SS613	2SS643	2SS663
9	7 1/2	3/4	2SS913	2SS943	2SS963
12	10 1/2	3/4	2SS1213	2SS1243	2SS1263

MODEL 2SL

With lagging extension for 1/4" diameter stem



3/4 NPT - CATALOG NUMBERS

A	U	T	Q	BRASS	304SS	316SS
4	1 1/2	1	-	2SL413	2SL443	2SL463
6	2 1/2	2	-	2SL613	2SL643	2SL663
9	4 1/2	3	3/4	2SL913	2SL943	2SL963
12	7 1/2	3	3/4	2SL1213	2SL1243	2SL1263

PROCESS CONNECTION SIZE:

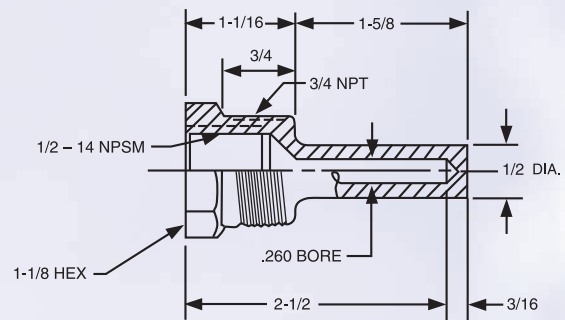
3/4" is standard. Other thread sizes available upon request.

MATERIALS

Brass, 304SS, 316SS. Other materials available upon request.

MODEL 2LS

Limited space thermowell for 2 1/2" stem.



3/4 NPT - CATALOG NUMBERS

	BRASS	304SS	316SS
3/4 NPT	2LS213	2LS243	2LS263

Brass wells are not recommended for installations involving high pressures and/or temperatures over 400°F.

CAP & CHAIN:

Available upon request for keeping thermowell bore clean when not in use. (Not shown)

ADJUST-ANGLE VAPOR ACTUATED DIAL THERMOMETER - 4 1/2" DIAL MODEL VA45S

STANDARD FEATURES

- 4 1/2" dial size
- Stainless steel case and ring
- Acrylic lens
- Aluminum dial, white finish, black markings
- Progressive graduations offer ideal reading in the upper two thirds of the range
- For standard ranges see page 23
- Adjustable pointer
- Precision geared brass movement
- + or -1 scale division accuracy
- Brass thermowell, 1/2" NPT standard. 2" "U" dimension below thread. Additional sizes, threads and materials available. See page 23.



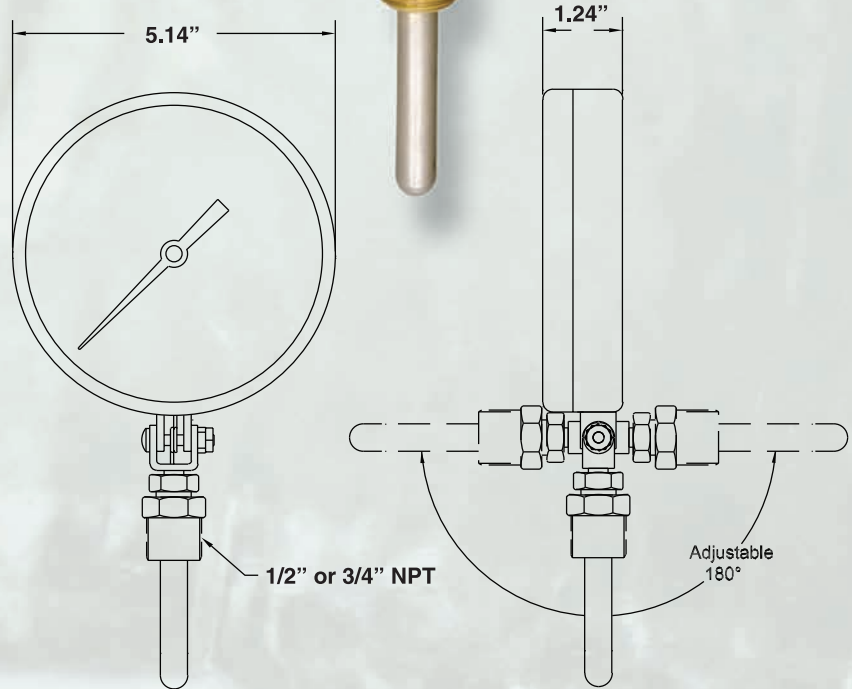
◀ **MODEL VA45S**

STANDARD RANGES

CODE	FAHRENHEIT
01	-40/65F
02	-20/120F
03	20/220F
04	30/300F

CODE	CELSIUS
05	-40/20C
06	0/100C

CODE	DUAL SCALE F & C
07	-40/65F & -40/20C
08	-20/120F & -30/50C
09	20/220F & 0/105C
10	30/300F & 0/150C



21

HOW TO ORDER - PLEASE SPECIFY THE FOLLOWING:

MODEL #	RANGE CODE	IMMERSION LENGTH	THERMOWELL CATALOG NO.
VA45S	2 digit code from table	2 = 2.25" 4 = 4.25"	See Page 23

REMOTE MOUNTED VAPOR ACTUATED DIAL THERMOMETER - 4 1/2" DIAL MODEL VR45P

STANDARD FEATURES

- 4 1/2" dial size
- Glass reinforced Phenolic case
- Stainless steel snap ring
- Glass lens
- Aluminum dial, white finish, black markings
- Progressive graduations offer ideal reading in the upper two thirds of the range
- For standard ranges see page 23
- Adjustable pointer
- Precision geared brass movement
- + or 1 scale division accuracy
- 5ft. bronze braided capillary tubing standard. Additional tubing lengths and materials available
- Brass thermowell, 1/2" NPT standard. 2" "U" dimension below thread. Additional sizes, threads and materials available. See page 23.



MODEL VR45P

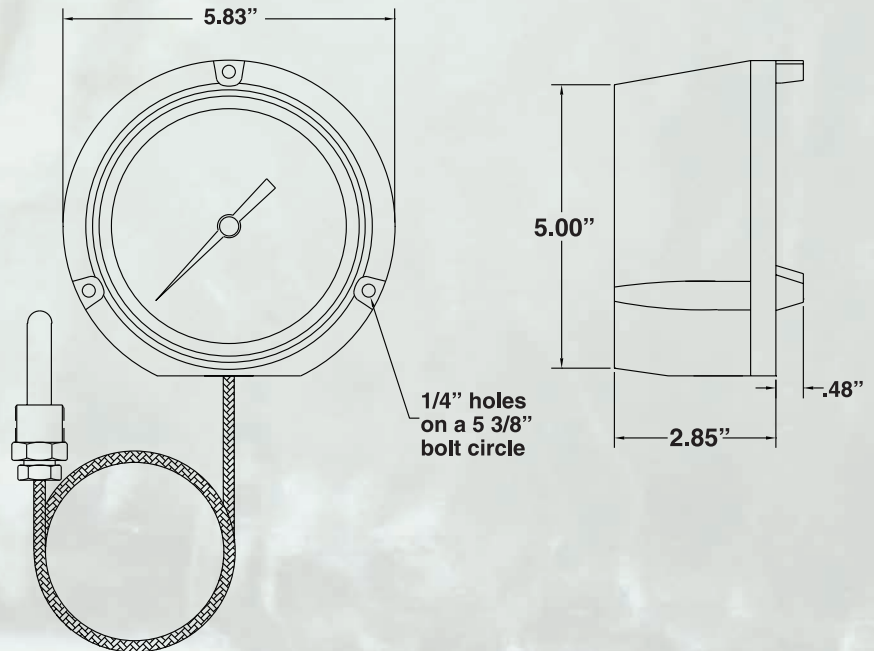
22

STANDARD RANGES

CODE	FAHRENHEIT
01	-40/65F
02	-20/120F
03	20/220F
04	30/300F

CODE	CELSIUS
05	-40/20C
06	0/100C

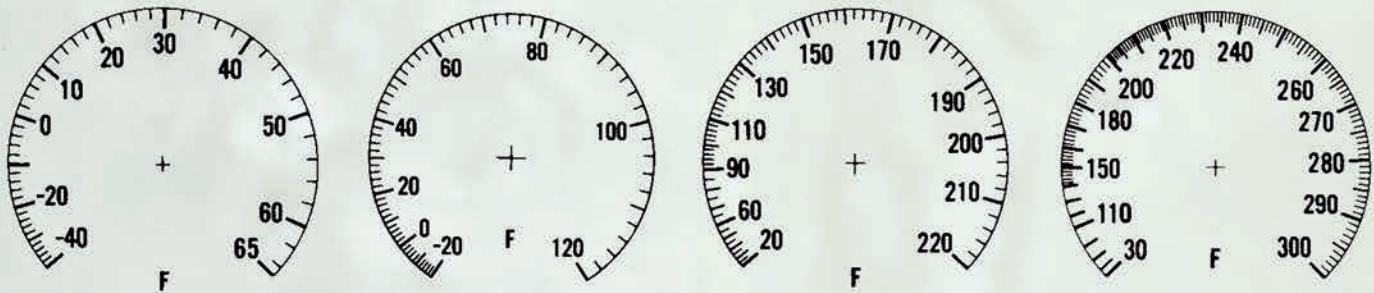
CODE	DUAL SCALE F & C
07	-40/65F & -40/20C
08	-20/120F & -30/50C
09	20/220F & 0/105C
10	30/300F & 0/150C



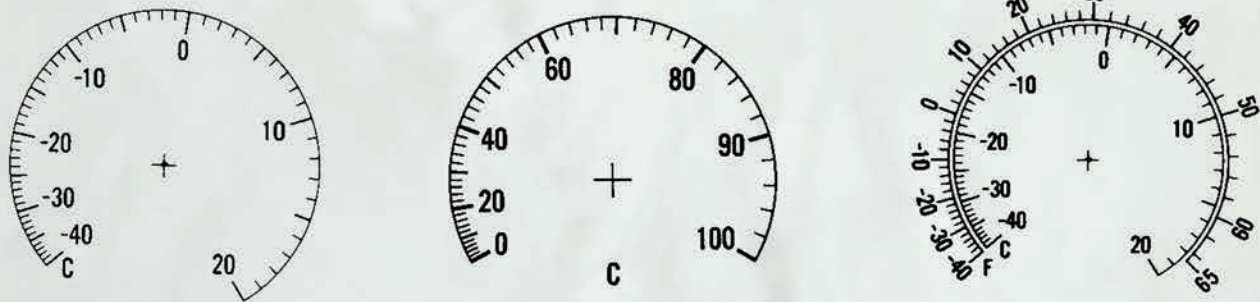
HOW TO ORDER - PLEASE SPECIFY THE FOLLOWING:				
MODEL #	RANGE CODE	TUBING LENGTH	IMMERSION LENGTH	THERMOWELL CATALOG NO.
VR45P	2 digit code from table	05 = 5 FT. 10 = 10 FT. ETC.	2 = 2.25" 4 = 4.25"	See Page 23

DIALS AND THERMOWELLS FOR VAPOR ACTUATED THERMOMETERS

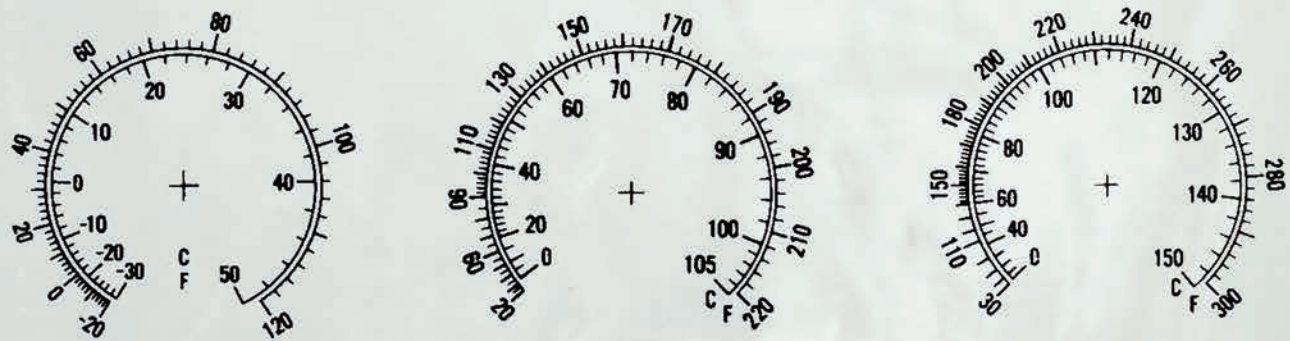
FAHRENHEIT



CELSIUS



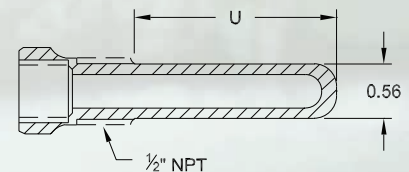
DUAL SCALE



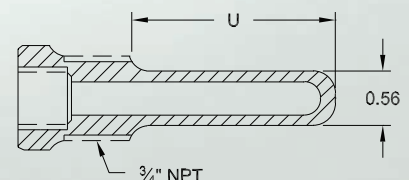
THERMOWELLS

CATALOG NUMBER	PROCESS CONN.	IMMERSION LENGTH "U"	MATERIAL
V22B	1/2" NPT	2.25"	BRASS
V23B	3/4" NPT	2.25"	BRASS
V22SS	1/2" NPT	2.25"	316 ST. ST.
V23SS	3/4" NPT	2.25"	316 ST. ST.
V42B	1/2" NPT	4.25"	BRASS
V43B	3/4" NPT	4.25"	BRASS
V42SS	1/2" NPT	4.25"	316 ST. ST.
V43SS	3/4" NPT	4.25"	316 ST. ST.

MODEL V22 ▶



MODEL V23 ▶





gauges



4 1/2" CONTRACTOR GAUGE BRASS BOURDON TUBE AND SOCKET MODEL EA14

STANDARD FEATURES

- 4 1/2" dial size
- Phosphor bronze bourdon tube and brass connection
- Brass movement
- Corrosion resistant stainless steel case and ring
- Recalibrator in face of gauge
- 1% full scale accuracy per ASME B40.1 Grade 1A
- 1/4" NPT bottom connection
- Suitable for water, air, oil, gas or any medium not corrosive to copper alloys
- Siphon required for steam applications



MODEL EA14 ▶

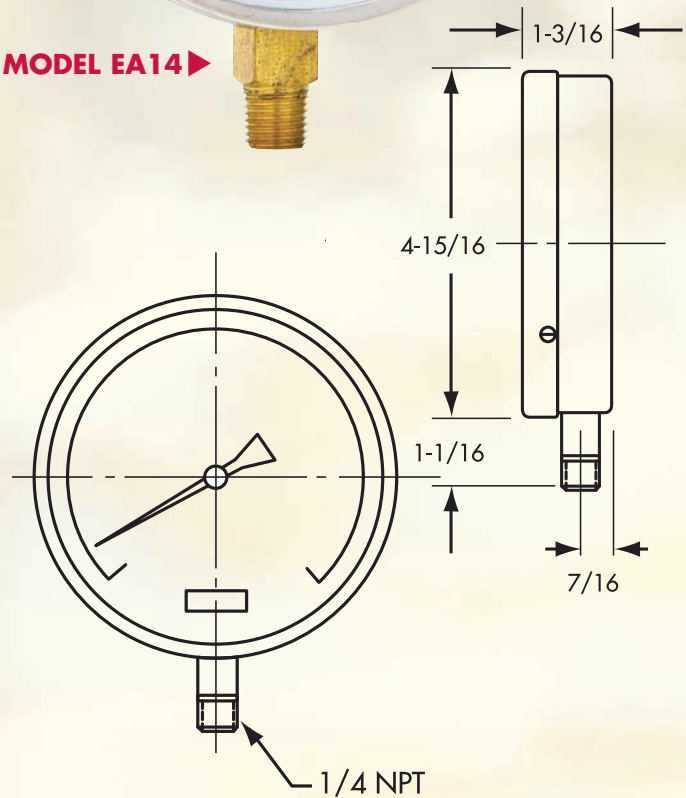
PRESSURE RANGES

CATALOG NO.	DIAL RANGE	FIGURE INTERVALS	SMALLEST GRADUATION
SINGLE SCALE	PSI ONLY	PSI	PSI
EA14-2	0-15	1	.25
EA14-A	0-30	5	.5
EA14-B	0-60	10	1
EA14-C	0-100	10	1
EA14-D	0-160	20	2
EA14-E	0-200	20	2
EA14-F	0-300	50	5
EA14-G	0-500	50	5

VACUUM/COMPOUND RANGES

CATALOG NO.	DIAL RANGE	FIGURE INTERVALS	SMALLEST GRADUATION
SINGLE SCALE	PSI ONLY	PSI	PSI
EA14-H	30"-0" HG VAC	5" HG	.5 HG
EA14-J	30"-0-30	10"HG/10 PSI	1"HG/1 PSI
EA14-K	30"-0-100	15"HG/10 PSI	5"HG/1 PSI
EA14-L	30"-0-150	30"HG/25 PSI	5"HG/5 PSI
EA14-M	30"-0-300	20"HG/50 PSI	5"HG/5 PSI

**Dual Scale PSI and KPA also available*



ALTITUDE/PRESSURE RANGES

CAT. NO. DUAL SCALE	DIAL RANGE PSI / WATER	FIGURES PSI / FT	GRADUATIONS PSI / FT
EA14BALT	0/60 PSI & 0/140 FT	10 / 20	1 / 2
EA14CALT	0/100 PSI & 0/230 FT	10 / 25	2 / 5
EA14DALT	0/160 PSI & 0/375 FT	20 / 50	2 / 5
EA14EALT	0/200 PSI & 0/460 FT	20 / 25	2 / 5

25

1 1/2" UTILITY GAUGE BRASS BOURDON TUBE AND SOCKET MODEL 15TL8

STANDARD FEATURES

- 1 1/2" dial size
- Brass bourdon tube and socket
- Brass movement
- Black steel case with chrome bezel
- 1/8" NPT bottom connection
- Accuracy: 3/2/3% per ASME B40.1 Grade B
- White scale with black graduations and numerals
Metric readings in blue
- Suitable for water, air, oil, gas or any medium not
corrosive to copper alloys
- Siphon required for steam applications

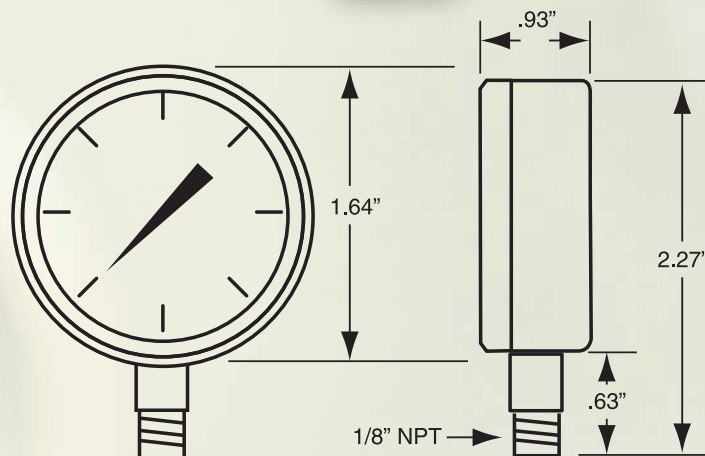


MODEL 15TL ▶

STANDARD RANGES

RANGE	CODE	FIGURES	GRADUATIONS
30"/0 VAC	P2	5" HG	0.5" HG
0/15 PSI	PA	2 PSI	0.5 PSI
0/30 PSI	PB	5 PSI	0.5 PSI
0/60 PSI	PC	10 PSI	1 PSI
0/100 PSI	PD	20 PSI	2 PSI
0/160 PSI	PE	20 PSI	2 PSI
0/200 PSI	PF	40 PSI	5 PSI
0/300 PSI	PG	50 PSI	5 PSI
0/400 PSI	PH	50 PSI	5 PSI

Note: Standard scales read PSI, KPA and BAR.



HOW TO ORDER - PLEASE SPECIFY THE FOLLOWING:	
MODEL #	RANGE
15TL8	2 digit code from table

1 1/2" UTILITY GAUGE BRASS BOURDON TUBE AND SOCKET MODEL 15TC8

STANDARD FEATURES

- 1 1/2" dial size
- Brass bourdon tube and socket
- Brass movement
- Black steel case with chrome bezel
- 1/8" NPT center back connection
- Accuracy: 3/2/3% per ASME B40.1 Grade B
- White scale with black graduations and numerals
Metric readings in blue
- Suitable for water, air, oil, gas or any medium not corrosive to copper alloys
- Siphon required for steam applications

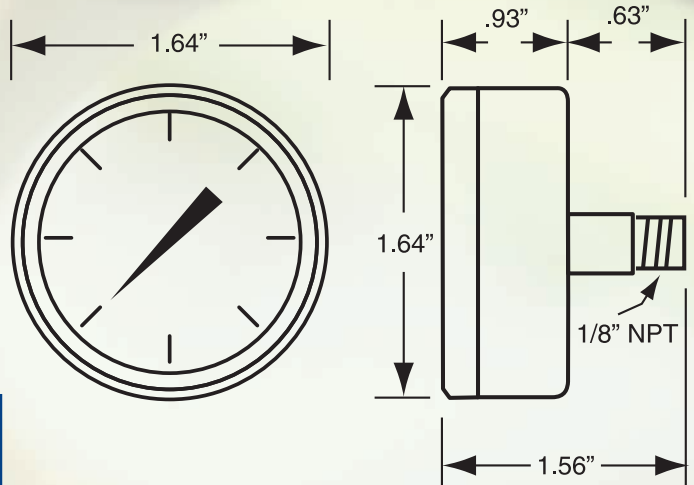


◀ **MODEL 15TC**

STANDARD RANGES

RANGE	CODE	FIGURES	GRADUATIONS
30"/0 VAC	P2	5" HG	0.5" HG
0/15 PSI	PA	2 PSI	0.5 PSI
0/30 PSI	PB	5 PSI	0.5 PSI
0/60 PSI	PC	10 PSI	1 PSI
0/100 PSI	PD	20 PSI	2 PSI
0/160 PSI	PE	20 PSI	2 PSI
0/200 PSI	PF	40 PSI	5 PSI
0/300 PSI	PG	50 PSI	5 PSI
0/400 PSI	PH	50 PSI	5 PSI

Note: Standard scales read PSI, KPA and BAR.



HOW TO ORDER - PLEASE SPECIFY THE FOLLOWING:

MODEL #	RANGE
15TC8	2 digit code from table

2" UTILITY GAUGE BRASS BOURDON TUBE AND SOCKET MODEL 20TL4

STANDARD FEATURES

- 2" dial size
- Brass bourdon tube and socket
- Brass movement
- Black steel case with chrome bezel
- 1/4" NPT bottom connection
- Accuracy: 3/2/3% per ASME B40.1 Grade B
- White scale with black graduations and numerals
Metric readings in blue
- Suitable for water, air, oil, gas or any medium not
corrosive to copper alloys
- Siphon required for steam applications

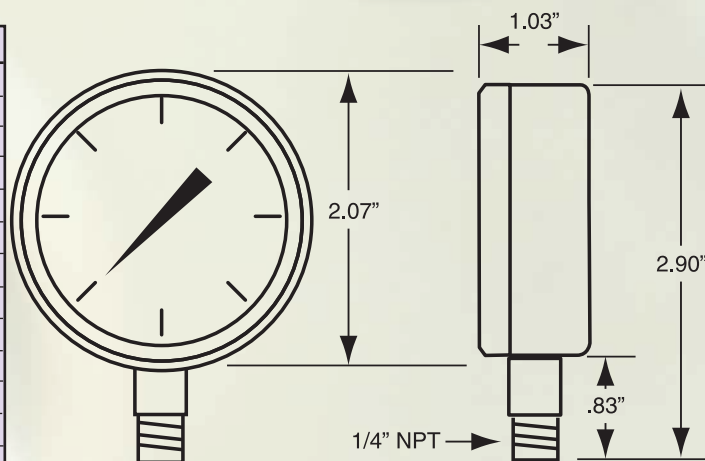


MODEL 20TL ▶

STANDARD RANGES

RANGE	CODE	FIGURES	GRADUATIONS
30"/0 VAC	P2	5" HG	0.5" HG
30"/0/30	P4	10"HG / 10 PSI	1"HG / 1 PSI
30"/0/60	P5	10"HG / 10 PSI	2"HG / 1 PSI
30"/0/100	P6	30"HG / 20 PSI	5"HG / 5 PSI
30"/0/150	P7	30"HG / 20 PSI	5"HG / 2 PSI
30"/0/300	P8	30"HG / 50 PSI	5"HG / 5 PSI
0/15 PSI	PA	2 PSI	0.1 PSI
0/30 PSI	PB	5 PSI	0.25 PSI
0/60 PSI	PC	10 PSI	0.5 PSI
0/100 PSI	PD	20 PSI	1 PSI
0/160 PSI	PE	20 PSI	2 PSI
0/200 PSI	PF	40 PSI	5 PSI
0/300 PSI	PG	50 PSI	5 PSI
0/400 PSI	PH	50 PSI	5 PSI
0/600 PSI	PI	100 PSI	10 PSI

Note: Standard scales read PSI, KPA and BAR.



HOW TO ORDER - PLEASE SPECIFY THE FOLLOWING:

MODEL #	RANGE
20TL4	2 digit code from table

2" UTILITY GAUGE BRASS BOURDON TUBE AND SOCKET MODEL 20TC4

STANDARD FEATURES

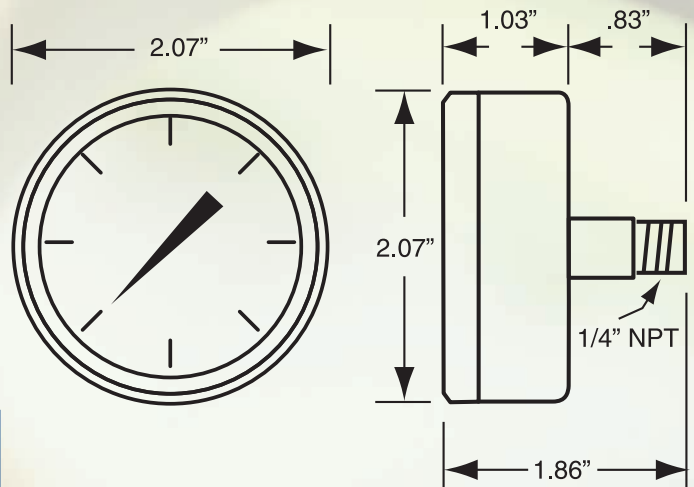
- 2" dial size
- Brass bourdon tube and socket
- Brass movement
- Black steel case with chrome bezel
- 1/4" NPT center back connection
- Accuracy: 3/2/3% per ASME B40.1 Grade B
- White scale with black graduations and numerals
Metric readings in blue
- Suitable for water, air, oil, gas or any medium not
corrosive to copper alloys
- Siphon required for steam applications



STANDARD RANGES

RANGE	CODE	FIGURES	GRADUATIONS
30"/0 VAC	P2	5" HG	0.5" HG
30"/0/30	P4	10" HG / 10 PSI	1" HG / 1 PSI
30"/0/60	P5	10" HG / 10 PSI	2" HG / 1 PSI
30"/0/100	P6	30" HG / 20 PSI	5" HG / 5 PSI
30"/0/150	P7	30" HG / 20 PSI	5" HG / 2 PSI
30"/0/300	P8	30" HG / 50 PSI	5" HG / 5 PSI
0/15 PSI	PA	2 PSI	0.1 PSI
0/30 PSI	PB	5 PSI	0.25 PSI
0/60 PSI	PC	10 PSI	0.5 PSI
0/100 PSI	PD	20 PSI	1 PSI
0/160 PSI	PE	20 PSI	2 PSI
0/200 PSI	PF	40 PSI	5 PSI
0/300 PSI	PG	50 PSI	5 PSI
0/400 PSI	PH	50 PSI	5 PSI
0/600 PSI	PI	100 PSI	10 PSI

Note: Standard scales read PSI, KPA and BAR.



HOW TO ORDER - PLEASE SPECIFY THE FOLLOWING:	
MODEL #	RANGE
20TC4	2 digit code from table

2 1/2" UTILITY GAUGE BRASS BOURDON TUBE AND SOCKET MODEL 25TL4

STANDARD FEATURES

- 2 1/2" dial size
- Brass bourdon tube and socket
- Brass movement
- Black steel case with chrome bezel
- 1/4" NPT bottom connection
- Accuracy: 3/2/3% per ASME B40.1 Grade B
- White scale with black graduations and numerals
Metric readings in blue
- Suitable for water, air, oil, gas or any medium not
corrosive to copper alloys
- Siphon required for steam applications

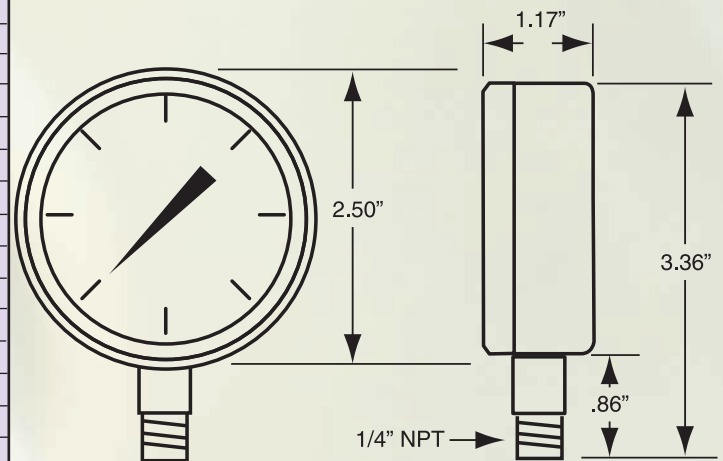


MODEL 25TL ▶

STANDARD RANGES

RANGE	CODE	FIGURES	GRADUATIONS
30"/0 VAC	P2	5" HG	0.5" HG
30"/0/15	P3	10"HG / 5 PSI	1"HG/ .5 PSI
30"/0/30	P4	10"HG / 10 PSI	1"HG / 1 PSI
30"/0/60	P5	10"HG / 10 PSI	2"HG / 1 PSI
30"/0/100	P6	30"HG / 20 PSI	5"HG / 2 PSI
30"/0/150	P7	30"HG / 20 PSI	5"HG / 2 PSI
30"/0/300	P8	30"HG / 50 PSI	5"HG / 5 PSI
0/15 PSI	PA	2 PSI	0.1 PSI
0/30 PSI	PB	5 PSI	0.5 PSI
0/60 PSI	PC	10 PSI	1 PSI
0/100 PSI	PD	20 PSI	2 PSI
0/160 PSI	PE	20 PSI	2 PSI
0/200 PSI	PF	40 PSI	5 PSI
0/300 PSI	PG	50 PSI	5 PSI
0/400 PSI	PH	50 PSI	5 PSI
0/600 PSI	PI	100 PSI	10 PSI
0/1000 PSI	PK	200 PSI	20 PSI

Note: Standard scales read PSI, KPA and BAR.

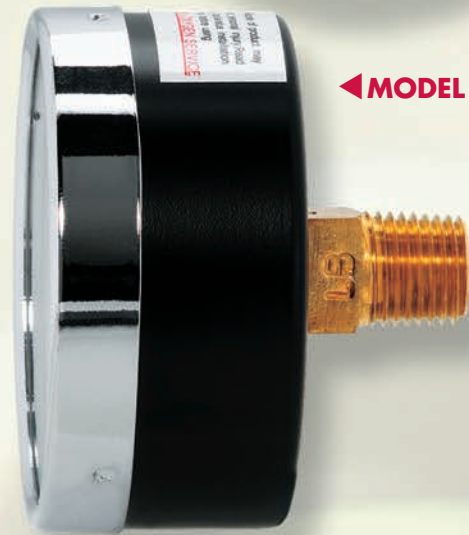


HOW TO ORDER - PLEASE SPECIFY THE FOLLOWING:	
MODEL #	RANGE
25TL4	2 digit code from table

2 1/2" UTILITY GAUGE BRASS BOURDON TUBE AND SOCKET MODEL 25TC4

STANDARD FEATURES

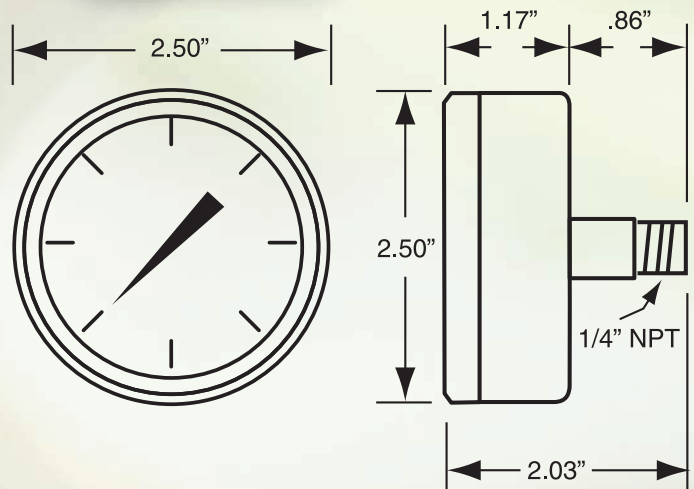
- 2 1/2" dial size
- Brass bourdon tube and socket
- Brass movement
- Black steel case with chrome bezel
- 1/4" NPT center back connection
- Accuracy: 3/2/3% per ASME B40.1 Grade B
- White scale with black graduations and numerals
Metric readings in blue
- Suitable for water, air, oil, gas or any medium not corrosive to copper alloys
- Siphon required for steam applications



STANDARD RANGES

RANGE	CODE	FIGURES	GRADUATIONS
30"/0 VAC	P2	5" HG	0.5" HG
30"/0/15	P3	10"HG / 5 PSI	1"HG/ .5 PSI
30"/0/30	P4	10"HG / 10 PSI	1"HG / 1 PSI
30"/0/60	P5	10"HG / 10 PSI	2"HG / 1 PSI
30"/0/100	P6	30"HG / 20 PSI	5"HG / 2 PSI
30"/0/150	P7	30"HG / 20 PSI	5"HG / 2 PSI
30"/0/300	P8	30"HG / 50 PSI	5"HG / 5 PSI
0/15 PSI	PA	2 PSI	0.1 PSI
0/30 PSI	PB	5 PSI	0.5 PSI
0/60 PSI	PC	10 PSI	1 PSI
0/100 PSI	PD	20 PSI	2 PSI
0/160 PSI	PE	20 PSI	2 PSI
0/200 PSI	PF	40 PSI	5 PSI
0/300 PSI	PG	50 PSI	5 PSI
0/400 PSI	PH	50 PSI	5 PSI
0/600 PSI	PI	100 PSI	10 PSI
0/1000 PSI	PK	200 PSI	20 PSI

Note: Standard scales read PSI, KPA and BAR.



HOW TO ORDER - PLEASE SPECIFY THE FOLLOWING:	
MODEL #	RANGE
25TC4	2 digit code from table

2 1/2" UTILITY GAUGE BRASS BOURDON TUBE AND SOCKET MODEL 25TU4

STANDARD FEATURES

- 2 1/2" dial size
- Brass bourdon tube and socket
- Brass movement
- Chrome plated steel case and bezel with "U" clamp for flush panel mounting
- 1/4" NPT center back connection
- Accuracy: 3/2/3% per ASME B40.1 Grade B
- White scale with black graduations and numerals
Metric readings in blue
- Suitable for water, air, oil, gas or any medium not corrosive to copper alloys
- Siphon required for steam applications

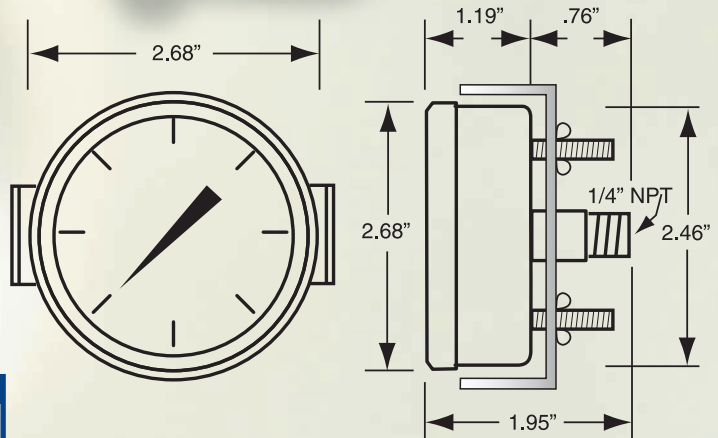


◀ **MODEL 25TU**

STANDARD RANGES

RANGE	CODE	FIGURES	GRADUATIONS
30"/0 VAC	P2	5" HG	0.5" HG
30"/0/15	P3	10"HG / 5 PSI	1"HG/ .5 PSI
30"/0/30	P4	10"HG / 10 PSI	1"HG / 1 PSI
30"/0/60	P5	10"HG / 10 PSI	2"HG / 1 PSI
30"/0/100	P6	30"HG / 20 PSI	5"HG / 2 PSI
30"/0/150	P7	30"HG / 20 PSI	5"HG / 2 PSI
30"/0/300	P8	30"HG / 50 PSI	5"HG / 5 PSI
0/15 PSI	PA	2 PSI	0.1 PSI
0/30 PSI	PB	5 PSI	0.5 PSI
0/60 PSI	PC	10 PSI	1 PSI
0/100 PSI	PD	20 PSI	2 PSI
0/160 PSI	PE	20 PSI	2 PSI
0/200 PSI	PF	40 PSI	5 PSI
0/300 PSI	PG	50 PSI	5 PSI
0/400 PSI	PH	50 PSI	5 PSI
0/600 PSI	PI	100 PSI	10 PSI
0/1000 PSI	PK	200 PSI	20 PSI

Note: Standard scales read PSI, KPA and BAR.



HOW TO ORDER - PLEASE SPECIFY THE FOLLOWING:	
MODEL #	RANGE
25TU4	2 digit code from table

3 1/2" UTILITY GAUGE BRASS BOURDON TUBE AND SOCKET MODEL 35TL4

STANDARD FEATURES

- 3 1/2" dial size
- Brass bourdon tube and socket
- Brass movement
- Black steel case with chrome bezel
- 1/4" NPT bottom connection
- Accuracy: 3/2/3% per ASME B40.1 Grade B
- White scale with black graduations and numerals
Metric readings in blue
- Suitable for water, air, oil, gas or any medium not corrosive to copper alloys
- Siphon required for steam applications

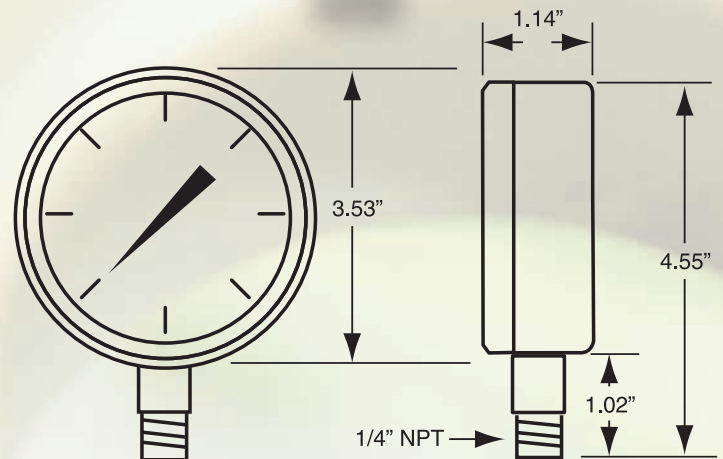


MODEL 35TL ▶

STANDARD RANGES

RANGE	CODE	FIGURES	GRADUATIONS
30"/0 VAC	P2	5" HG	0.5" HG
30"/0/15	P3	10"HG / 5 PSI	1"HG/ .5 PSI
30"/0/30	P4	10"HG / 10 PSI	1"HG / 1 PSI
30"/0/60	P5	10"HG / 10 PSI	2"HG / 1 PSI
30"/0/100	P6	30"HG / 20 PSI	5"HG / 2 PSI
30"/0/150	P7	30"HG / 20 PSI	5"HG / 2 PSI
0/15 PSI	PA	2 PSI	0.2 PSI
0/30 PSI	PB	5 PSI	0.5 PSI
0/60 PSI	PC	10 PSI	1 PSI
0/100 PSI	PD	20 PSI	2 PSI
0/160 PSI	PE	20 PSI	2 PSI
0/200 PSI	PF	40 PSI	5 PSI
0/300 PSI	PG	50 PSI	5 PSI
0/400 PSI	PH	50 PSI	5 PSI
0/600 PSI	PI	100 PSI	10 PSI
0/1000 PSI	PK	200 PSI	20 PSI

Note: Standard scales read PSI, KPA and BAR.



HOW TO ORDER - PLEASE SPECIFY THE FOLLOWING:

MODEL #	RANGE
35TL4	2 digit code from table

2 1/2" GLYCERIN FILLED GAUGE BRASS BOURDON TUBE AND SOCKET MODEL 251L4

STANDARD FEATURES

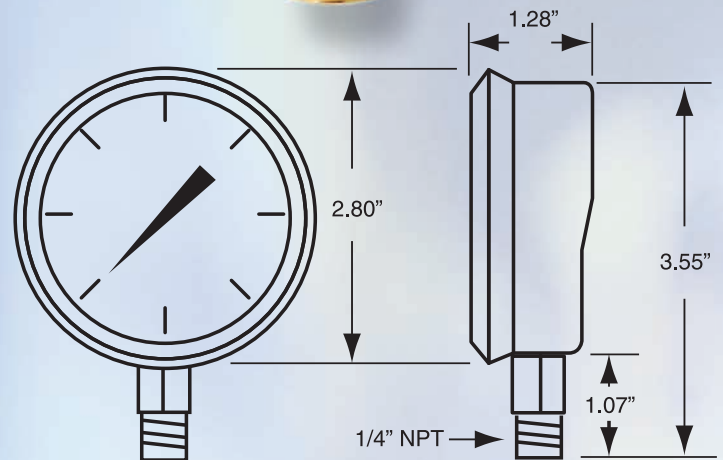
- 2 1/2" dial size
- Brass Bourdon tube and socket
- Brass movement
- Glycerin filled
- Corrosion resistant stainless steel case and ring
- 1.5% full scale accuracy
- 1/4" NPT bottom connection
- White scale with black graduations and numerals
Metric readings in blue
- Suitable for water, air, oil, gas or any medium not corrosive to copper alloys
- Siphon required for steam applications



◀ **MODEL 251L4**

STANDARD RANGES

RANGE	CODE	FIGURES	GRADUATIONS
30"/0 VAC	P2	5" HG	0.5" HG
30"/0/15	P3	10"HG/5 PSI	1" HG/0.5 PSI
30"/0/30	P4	10"HG/10 PSI	1" HG/1 PSI
30"/0/60	P5	10"HG/10 PSI	2" HG/1 PSI
30"/0/100	P6	30"HG/20 PSI	5" HG/2 PSI
30"/0/150	P7	30"HG/20 PSI	5" HG/2 PSI
30"/0/300	P8	30"HG/50 PSI	5" HG/10 PSI
0/15 PSI	PA	2 PSI	0.2 PSI
0/30 PSI	PB	5 PSI	0.5 PSI
0/60 PSI	PC	10 PSI	1 PSI
0/100 PSI	PD	20 PSI	2 PSI
0/160 PSI	PE	20 PSI	2 PSI
0/200 PSI	PF	40 PSI	4 PSI
0/300 PSI	PG	50 PSI	5 PSI
0/400 PSI	PH	50 PSI	5 PSI
0/600 PSI	PI	100 PSI	10 PSI
0/800 PSI	PJ	100 PSI	10 PSI
0/1000 PSI	PK	200 PSI	20 PSI
0/1500 PSI	PL	200 PSI	20 PSI
0/2000 PSI	PM	400 PSI	50 PSI
0/3000 PSI	PN	500 PSI	50 PSI
0/5000 PSI	PO	1000 PSI	100 PSI
0/6000 PSI	PX	2000 PSI	200 PSI
0/10,000 PSI	PP	2000 PSI	200 PSI
0/15,000 PSI	PR	2000 PSI	200 PSI



The Glycerin filling in liquid filled gauges helps dampen the effects of pulsation and vibration. While also perpetually lubricating the movement and keeping contaminants away, the liquid extends the life of the gauge.

HOW TO ORDER - PLEASE SPECIFY THE FOLLOWING:

MODEL #	RANGE
251L4	2 digit code from table

Note: Standard scales read PSI, KPA and BAR.

2 1/2" GLYCERIN FILLED GAUGE BRASS BOURDON TUBE AND SOCKET MODEL 251C4

STANDARD FEATURES

- 2 1/2" dial size
- Brass Bourdon tube and socket
- Brass movement
- Glycerin filled
- Corrosion resistant stainless steel case and ring
- 1.5% full scale accuracy
- 1/4" NPT center back connection
- White scale with black graduations and numerals
Metric readings in blue
- Suitable for water, air, oil, gas or any medium not corrosive to copper alloys
- Siphon required for steam applications

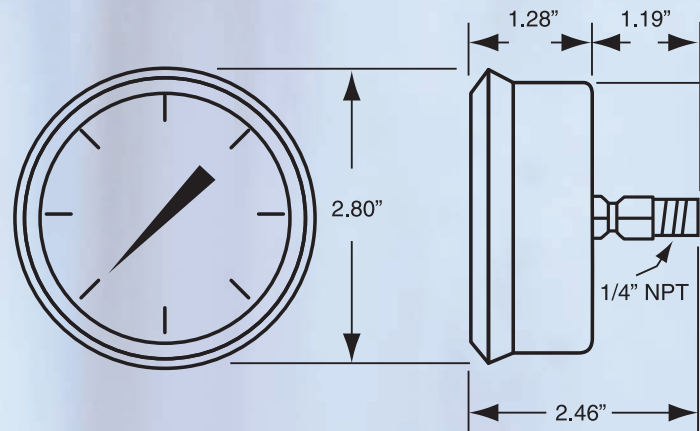


▲ **MODEL 251C4**

STANDARD RANGES

RANGE	CODE	FIGURES	GRADUATIONS
30"/0 VAC	P2	5" HG	0.5" HG
30"/0/15	P3	10"HG/5 PSI	1" HG/0.5 PSI
30"/0/30	P4	10"HG/10 PSI	1" HG/1 PSI
30"/0/60	P5	10"HG/10 PSI	2" HG/1 PSI
30"/0/100	P6	30"HG/20 PSI	5" HG/2 PSI
30"/0/150	P7	30"HG/20 PSI	5" HG/2 PSI
30"/0/300	P8	30"HG/50 PSI	5" HG/10 PSI
0/15 PSI	PA	2 PSI	0.2 PSI
0/30 PSI	PB	5 PSI	0.5 PSI
0/60 PSI	PC	10 PSI	1 PSI
0/100 PSI	PD	20 PSI	2 PSI
0/160 PSI	PE	20 PSI	2 PSI
0/200 PSI	PF	40 PSI	4 PSI
0/300 PSI	PG	50 PSI	5 PSI
0/400 PSI	PH	50 PSI	5 PSI
0/600 PSI	PI	100 PSI	10 PSI
0/800 PSI	PJ	100 PSI	10 PSI
0/1000 PSI	PK	200 PSI	20 PSI
0/1500 PSI	PL	200 PSI	20 PSI
0/2000 PSI	PM	400 PSI	50 PSI
0/3000 PSI	PN	500 PSI	50 PSI
0/5000 PSI	PO	1000 PSI	100 PSI
0/6000 PSI	PX	2000 PSI	200 PSI
0/10,000 PSI	PP	2000 PSI	200 PSI
0/15,000 PSI	PR	2000 PSI	200 PSI

Note: Standard scales read PSI, KPA and BAR.



The Glycerin filling in liquid filled gauges helps dampen the effects of pulsation and vibration. While also perpetually lubricating the movement and keeping contaminants away, the liquid extends the life of the gauge.

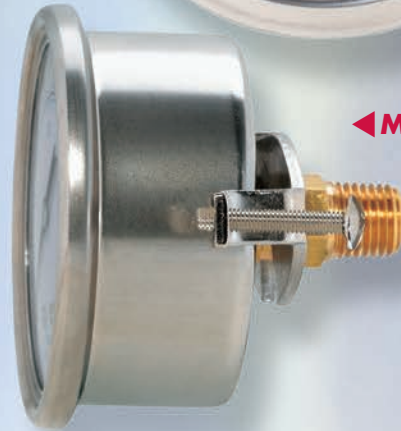
HOW TO ORDER - PLEASE SPECIFY THE FOLLOWING:

MODEL #	RANGE
251C4	2 digit code from table

2 1/2" GLYCERIN FILLED GAUGE BRASS BOURDON TUBE AND SOCKET MODEL 251U4

STANDARD FEATURES

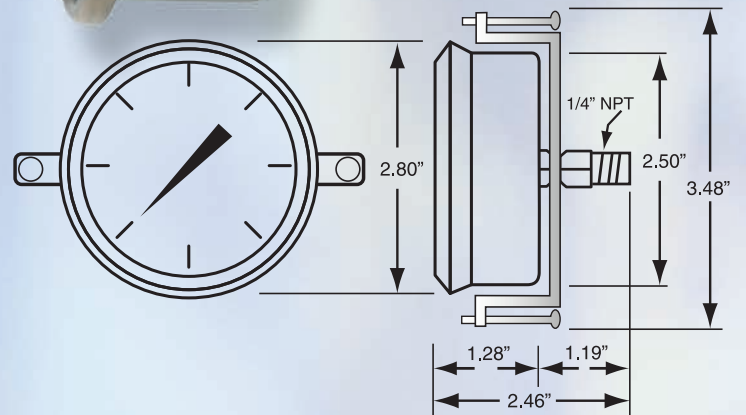
- 2 1/2" dial size
- Brass Bourdon tube and socket
- Brass movement
- Glycerin filled
- Corrosion resistant stainless steel case and ring with "U" clamp for flush panel mounting
- 1.5% full scale accuracy
- 1/4" NPT center back connection
- White scale with black graduations and numerals
Metric readings in blue
- Suitable for water, air, oil, gas or any medium not corrosive to copper alloys
- Siphon required for steam applications



◀ **MODEL 251U4**

STANDARD RANGES

RANGE	CODE	FIGURES	GRADUATIONS
30"/0 VAC	P2	5" HG	0.5" HG
30"/0/15	P3	10"HG/5 PSI	1" HG/0.5 PSI
30"/0/30	P4	10"HG/10 PSI	1" HG/1 PSI
30"/0/60	P5	10"HG/10 PSI	2" HG/1 PSI
30"/0/100	P6	30"HG/20 PSI	5" HG/2 PSI
30"/0/150	P7	30"HG/20 PSI	5" HG/2 PSI
30"/0/300	P8	30"HG/50 PSI	5" HG/10 PSI
0/15 PSI	PA	2 PSI	0.2 PSI
0/30 PSI	PB	5 PSI	0.5 PSI
0/60 PSI	PC	10 PSI	1 PSI
0/100 PSI	PD	20 PSI	2 PSI
0/160 PSI	PE	20 PSI	2 PSI
0/200 PSI	PF	40 PSI	4 PSI
0/300 PSI	PG	50 PSI	5 PSI
0/400 PSI	PH	50 PSI	5 PSI
0/600 PSI	PI	100 PSI	10 PSI
0/800 PSI	PJ	100 PSI	10 PSI
0/1000 PSI	PK	200 PSI	20 PSI
0/1500 PSI	PL	200 PSI	20 PSI
0/2000 PSI	PM	400 PSI	50 PSI
0/3000 PSI	PN	500 PSI	50 PSI
0/5000 PSI	PO	1000 PSI	100 PSI
0/6000 PSI	PX	2000 PSI	200 PSI
0/10,000 PSI	PP	2000 PSI	200 PSI
0/15,000 PSI	PR	2000 PSI	200 PSI



The Glycerin filling in liquid filled gauges helps dampen the effects of pulsation and vibration. While also perpetually lubricating the movement and keeping contaminants away, the liquid extends the life of the gauge.

HOW TO ORDER - PLEASE SPECIFY THE FOLLOWING:

MODEL #	RANGE
251U4	2 digit code from table

Note: Standard scales read PSI, KPA and BAR.

2 1/2" GLYCERIN FILLED GAUGE BRASS BOURDON TUBE AND SOCKET MODEL 251F4

STANDARD FEATURES

- 2 1/2" dial size
- Brass Bourdon tube and socket
- Brass movement
- Glycerin filled
- Corrosion resistant stainless steel case and ring with front flange for flush panel mounting
- 1.5% full scale accuracy
- 1/4" NPT center back connection
- White scale with black graduations and numerals
Metric readings in blue
- Suitable for water, air, oil, gas or any medium not corrosive to copper alloys
- Siphon required for steam applications

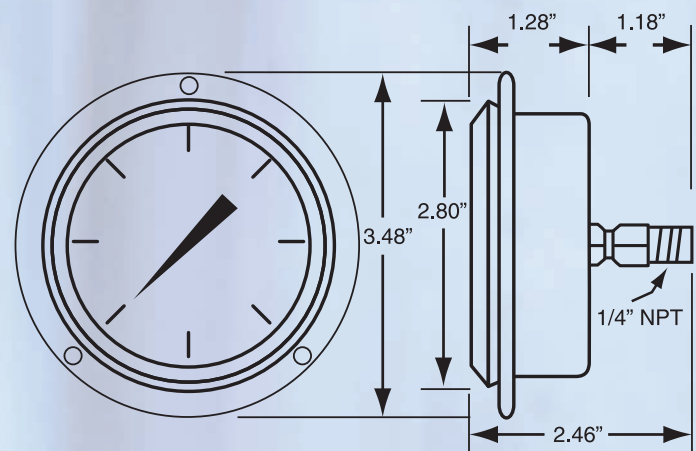


◀ **MODEL 251F4**

STANDARD RANGES

RANGE	CODE	FIGURES	GRADUATIONS
30"/0 VAC	P2	5" HG	0.5" HG
30"/0/15	P3	10"HG/5 PSI	1" HG/0.5 PSI
30"/0/30	P4	10"HG/10 PSI	1" HG/1 PSI
30"/0/60	P5	10"HG/10 PSI	2" HG/1 PSI
30"/0/100	P6	30"HG/20 PSI	5" HG/2 PSI
30"/0/150	P7	30"HG/20 PSI	5" HG/2 PSI
30"/0/300	P8	30"HG/50 PSI	5" HG/10 PSI
0/15 PSI	PA	2 PSI	0.2 PSI
0/30 PSI	PB	5 PSI	0.5 PSI
0/60 PSI	PC	10 PSI	1 PSI
0/100 PSI	PD	20 PSI	2 PSI
0/160 PSI	PE	20 PSI	2 PSI
0/200 PSI	PF	40 PSI	4 PSI
0/300 PSI	PG	50 PSI	5 PSI
0/400 PSI	PH	50 PSI	5 PSI
0/600 PSI	PI	100 PSI	10 PSI
0/800 PSI	PJ	100 PSI	10 PSI
0/1000 PSI	PK	200 PSI	20 PSI
0/1500 PSI	PL	200 PSI	20 PSI
0/2000 PSI	PM	400 PSI	50 PSI
0/3000 PSI	PN	500 PSI	50 PSI
0/5000 PSI	PO	1000 PSI	100 PSI
0/6000 PSI	PX	2000 PSI	200 PSI
0/10,000 PSI	PP	2000 PSI	200 PSI
0/15,000 PSI	PR	2000 PSI	200 PSI

Note: Standard scales read PSI, KPA and BAR.



The Glycerin filling in liquid filled gauges helps dampen the effects of pulsation and vibration. While also perpetually lubricating the movement and keeping contaminants away, the liquid extends the life of the gauge.

HOW TO ORDER - PLEASE SPECIFY THE FOLLOWING:

MODEL #	RANGE
251F4	2 digit code from table

2 1/2" GLYCERIN FILLED GAUGE STAINLESS STEEL BOURDON TUBE AND SOCKET MODEL 254L4

STANDARD FEATURES

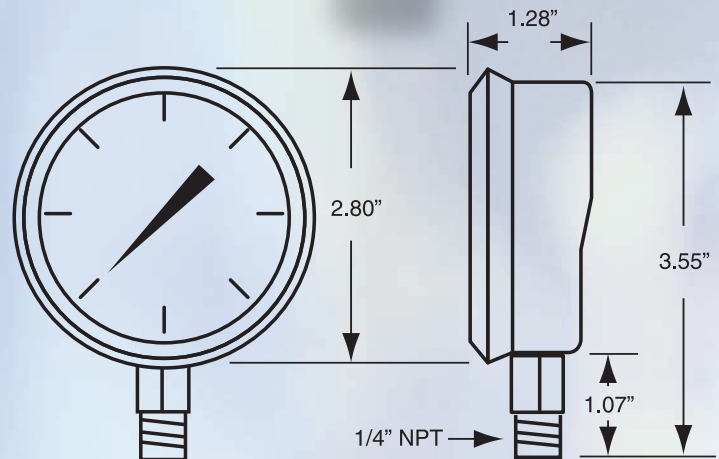
- 2 1/2" dial size
- 316 stainless steel bourdon tube and socket
- Stainless steel movement
- Glycerin filled
- Corrosion resistant stainless steel case and ring
- 1.5% full scale accuracy
- 1/4" NPT bottom connection
- White scale with black graduations and numerals
Metric readings in blue
- Siphon required for steam applications



MODEL 254L4 ▶

STANDARD RANGES

RANGE	CODE	FIGURES	GRADUATIONS
30"/0 VAC	P2	5" HG	0.5" HG
30"/0/15	P3	10"HG/5 PSI	1" HG/0.5 PSI
30"/0/30	P4	10"HG/10 PSI	1" HG/1 PSI
30"/0/60	P5	10"HG/10 PSI	2" HG/1 PSI
30"/0/100	P6	30"HG/20 PSI	5" HG/2 PSI
30"/0/150	P7	30"HG/20 PSI	5" HG/2 PSI
30"/0/300	P8	30"HG/50 PSI	5" HG/10 PSI
0/15 PSI	PA	2 PSI	0.2 PSI
0/30 PSI	PB	5 PSI	0.5 PSI
0/60 PSI	PC	10 PSI	1 PSI
0/100 PSI	PD	20 PSI	2 PSI
0/160 PSI	PE	20 PSI	2 PSI
0/200 PSI	PF	40 PSI	4 PSI
0/300 PSI	PG	50 PSI	5 PSI
0/400 PSI	PH	50 PSI	5 PSI
0/600 PSI	PI	100 PSI	10 PSI
0/800 PSI	PJ	100 PSI	10 PSI
0/1000 PSI	PK	200 PSI	20 PSI
0/1500 PSI	PL	200 PSI	20 PSI
0/2000 PSI	PM	400 PSI	50 PSI
0/3000 PSI	PN	500 PSI	50 PSI
0/5000 PSI	PO	1000 PSI	100 PSI
0/6000 PSI	PX	2000 PSI	200 PSI
0/10,000 PSI	PP	2000 PSI	200 PSI
0/15,000 PSI	PR	2000 PSI	200 PSI



The Glycerin filling in liquid filled gauges helps dampen the effects of pulsation and vibration. While also perpetually lubricating the movement and keeping contaminants away, the liquid extends the life of the gauge.

HOW TO ORDER - PLEASE SPECIFY THE FOLLOWING:

MODEL #	RANGE
254L4	2 digit code from table

Note: Standard scales read PSI, KPA and BAR.

2 1/2" GLYCERIN FILLED GAUGE STAINLESS STEEL BOURDON TUBE AND SOCKET MODEL 254C4

STANDARD FEATURES

- 2 1/2" dial size
- 316 stainless steel bourdon tube and socket
- Stainless steel movement
- Glycerin filled
- Corrosion resistant stainless steel case and ring
- 1.5% full scale accuracy
- 1/4" NPT center back connection
- White scale with black graduations and numerals
Metric readings in blue
- Siphon required for steam applications

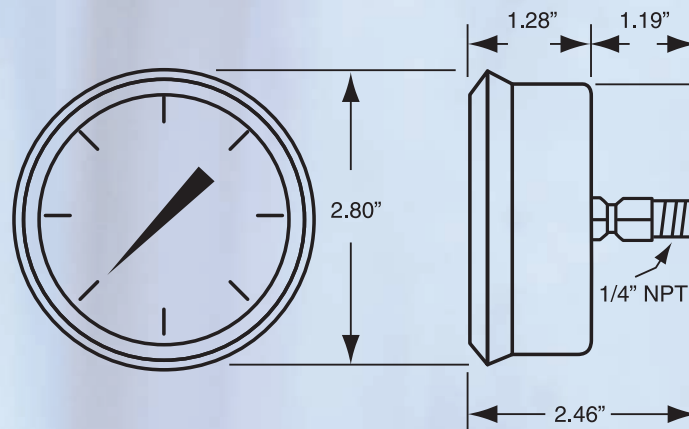


▲ **MODEL 254C4**

STANDARD RANGES

RANGE	CODE	FIGURES	GRADUATIONS
30"/0 VAC	P2	5" HG	0.5" HG
30"/0/15	P3	10"HG/5 PSI	1" HG/0.5 PSI
30"/0/30	P4	10"HG/10 PSI	1" HG/1 PSI
30"/0/60	P5	10"HG/10 PSI	2" HG/1 PSI
30"/0/100	P6	30"HG/20 PSI	5" HG/2 PSI
30"/0/150	P7	30"HG/20 PSI	5" HG/2 PSI
30"/0/300	P8	30"HG/50 PSI	5" HG/10 PSI
0/15 PSI	PA	2 PSI	0.2 PSI
0/30 PSI	PB	5 PSI	0.5 PSI
0/60 PSI	PC	10 PSI	1 PSI
0/100 PSI	PD	20 PSI	2 PSI
0/160 PSI	PE	20 PSI	2 PSI
0/200 PSI	PF	40 PSI	4 PSI
0/300 PSI	PG	50 PSI	5 PSI
0/400 PSI	PH	50 PSI	5 PSI
0/600 PSI	PI	100 PSI	10 PSI
0/800 PSI	PJ	100 PSI	10 PSI
0/1000 PSI	PK	200 PSI	20 PSI
0/1500 PSI	PL	200 PSI	20 PSI
0/2000 PSI	PM	400 PSI	50 PSI
0/3000 PSI	PN	500 PSI	50 PSI
0/5000 PSI	PO	1000 PSI	100 PSI
0/6000 PSI	PX	2000 PSI	200 PSI
0/10,000 PSI	PP	2000 PSI	200 PSI
0/15,000 PSI	PR	2000 PSI	200 PSI

Note: Standard scales read PSI, KPA and BAR.



The Glycerin filling in liquid filled gauges helps dampen the effects of pulsation and vibration. While also perpetually lubricating the movement and keeping contaminants away, the liquid extends the life of the gauge.

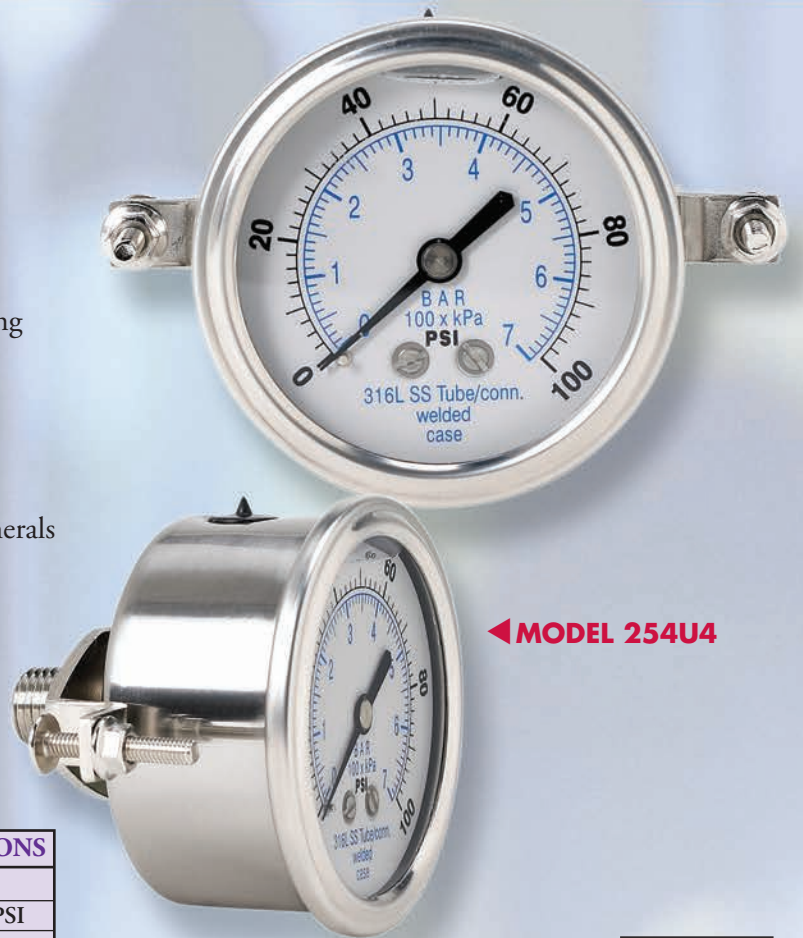
HOW TO ORDER - PLEASE SPECIFY THE FOLLOWING:

MODEL #	RANGE
254C4	2 digit code from table

2 1/2" GLYCERIN FILLED GAUGE STAINLESS STEEL BOURDON TUBE AND SOCKET MODEL 254U4

STANDARD FEATURES

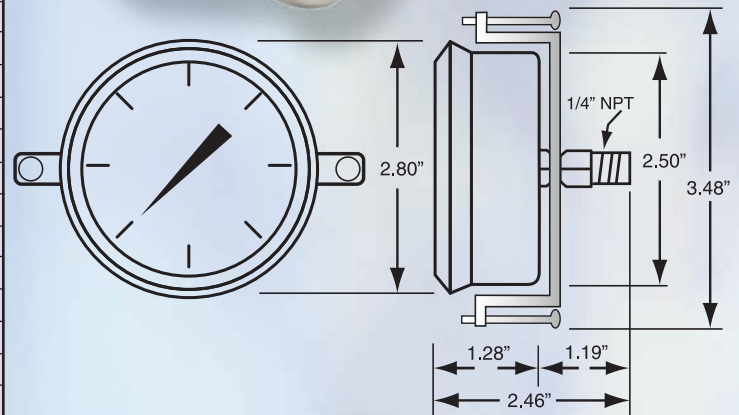
- 2 1/2" dial size
- 316 stainless steel bourdon tube and socket
- Stainless steel movement
- Glycerin filled
- Corrosion resistant stainless steel case and ring with "U" clamp for flush panel mounting
- 1.5% full scale accuracy
- 1/4" NPT center back connection
- White scale with black graduations and numerals
Metric readings in blue
- Siphon required for steam applications



◀ **MODEL 254U4**

STANDARD RANGES

RANGE	CODE	FIGURES	GRADUATIONS
30"/0 VAC	P2	5" HG	0.5" HG
30"/0/15	P3	10"HG/5 PSI	1" HG/0.5 PSI
30"/0/30	P4	10"HG/10 PSI	1" HG/1 PSI
30"/0/60	P5	10"HG/10 PSI	2" HG/1 PSI
30"/0/100	P6	30"HG/20 PSI	5" HG/2 PSI
30"/0/150	P7	30"HG/20 PSI	5" HG/2 PSI
30"/0/300	P8	30"HG/50 PSI	5" HG/10 PSI
0/15 PSI	PA	2 PSI	0.2 PSI
0/30 PSI	PB	5 PSI	0.5 PSI
0/60 PSI	PC	10 PSI	1 PSI
0/100 PSI	PD	20 PSI	2 PSI
0/160 PSI	PE	20 PSI	2 PSI
0/200 PSI	PF	40 PSI	4 PSI
0/300 PSI	PG	50 PSI	5 PSI
0/400 PSI	PH	50 PSI	5 PSI
0/600 PSI	PI	100 PSI	10 PSI
0/800 PSI	PJ	100 PSI	10 PSI
0/1000 PSI	PK	200 PSI	20 PSI
0/1500 PSI	PL	200 PSI	20 PSI
0/2000 PSI	PM	400 PSI	50 PSI
0/3000 PSI	PN	500 PSI	50 PSI
0/5000 PSI	PO	1000 PSI	100 PSI
0/6000 PSI	PX	2000 PSI	200 PSI
0/10,000 PSI	PP	2000 PSI	200 PSI
0/15,000 PSI	PR	2000 PSI	200 PSI



The Glycerin filling in liquid filled gauges helps dampen the effects of pulsation and vibration. While also perpetually lubricating the movement and keeping contaminants away, the liquid extends the life of the gauge.

HOW TO ORDER - PLEASE SPECIFY THE FOLLOWING:

MODEL #	RANGE
254U4	2 digit code from table

Note: Standard scales read PSI, KPA and BAR.

2 1/2" GLYCERIN FILLED GAUGE STAINLESS STEEL BOURDON TUBE AND SOCKET MODEL 254F4

STANDARD FEATURES

- 2 1/2" dial size
- 316 stainless steel bourdon tube and socket
- Stainless steel movement
- Glycerin filled
- Corrosion resistant stainless steel case and ring with front flange for flush panel mounting
- 1.5% full scale accuracy
- 1/4" NPT center back connection
- White scale with black graduations and numerals
Metric readings in blue
- Siphon required for steam applications

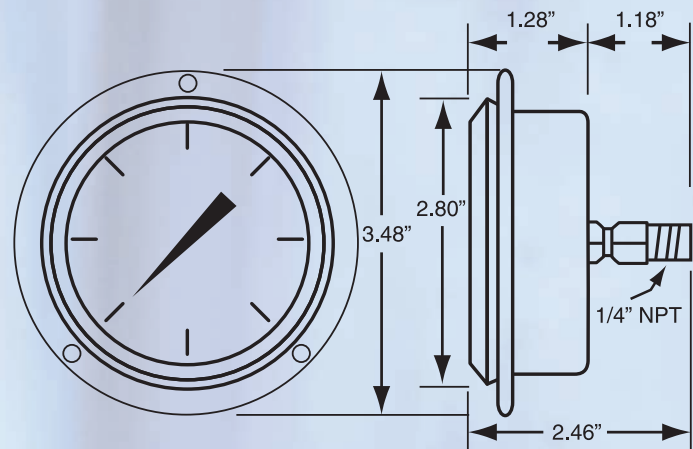


MODEL 254F4 ▶

STANDARD RANGES

RANGE	CODE	FIGURES	GRADUATIONS
30"/0 VAC	P2	5" HG	0.5" HG
30"/0/15	P3	10"HG/5 PSI	1" HG/0.5 PSI
30"/0/30	P4	10"HG/10 PSI	1" HG/1 PSI
30"/0/60	P5	10"HG/10 PSI	2" HG/1 PSI
30"/0/100	P6	30"HG/20 PSI	5" HG/2 PSI
30"/0/150	P7	30"HG/20 PSI	5" HG/2 PSI
30"/0/300	P8	30"HG/50 PSI	5" HG/10 PSI
0/15 PSI	PA	2 PSI	0.2 PSI
0/30 PSI	PB	5 PSI	0.5 PSI
0/60 PSI	PC	10 PSI	1 PSI
0/100 PSI	PD	20 PSI	2 PSI
0/160 PSI	PE	20 PSI	2 PSI
0/200 PSI	PF	40 PSI	4 PSI
0/300 PSI	PG	50 PSI	5 PSI
0/400 PSI	PH	50 PSI	5 PSI
0/600 PSI	PI	100 PSI	10 PSI
0/800 PSI	PJ	100 PSI	10 PSI
0/1000 PSI	PK	200 PSI	20 PSI
0/1500 PSI	PL	200 PSI	20 PSI
0/2000 PSI	PM	400 PSI	50 PSI
0/3000 PSI	PN	500 PSI	50 PSI
0/5000 PSI	PO	1000 PSI	100 PSI
0/6000 PSI	PX	2000 PSI	200 PSI
0/10,000 PSI	PP	2000 PSI	200 PSI
0/15,000 PSI	PR	2000 PSI	200 PSI

Note: Standard scales read PSI, KPA and BAR.



The Glycerin filling in liquid filled gauges helps dampen the effects of pulsation and vibration. While also perpetually lubricating the movement and keeping contaminants away, the liquid extends the life of the gauge.

HOW TO ORDER - PLEASE SPECIFY THE FOLLOWING:

MODEL #	RANGE
254F4	2 digit code from table

4" GLYCERIN FILLED GAUGE BRASS BOURDON TUBE AND SOCKET MODEL 401L4

STANDARD FEATURES

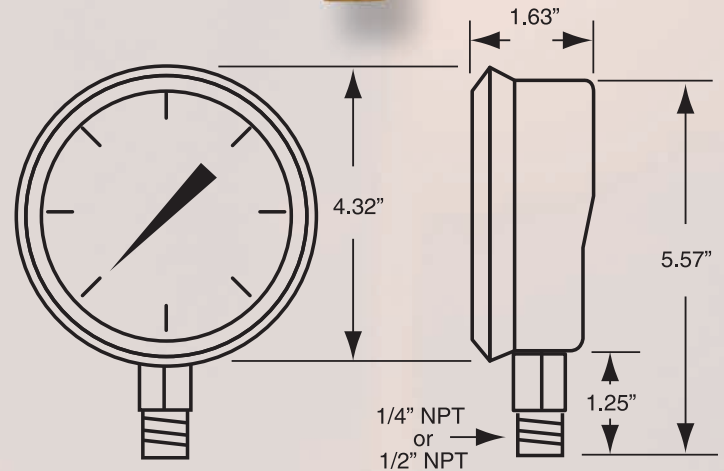
- 4" dial size (100mm)
- Brass bourdon tube and socket
- Brass movement
- Glycerin filled
- Corrosion resistant stainless steel case and ring
- 1% full scale accuracy per ASME B40.1 Grade 1A
- 1/4" NPT bottom connection
- White scale with black graduations and numerals
Metric readings in blue
- Suitable for water, air, oil, gas or any medium
not corrosive to copper alloys
- Siphon required for steam applications

STANDARD RANGES

RANGE	CODE	FIGURES	GRADUATIONS
30"/0" VAC	P2	5 HG	0.5" HG
30"/0/15	P3	10" HG/5 PSI	1" HG/0.5 PSI
30"/0/30	P4	10" HG/10 PSI	1" HG/1 PSI
30"/0/60	P5	10" HG/10 PSI	2" HG/1 PSI
30"/0/100	P6	30" HG/20 PSI	5" HG/2 PSI
30"/0/150	P7	30" HG/20 PSI	5" HG/2 PSI
30"/0/300	P8	30" HG/50 PSI	5" HG/10 PSI
0/15 PSI	PA	2 PSI	0.2 PSI
0/30 PSI	PB	5 PSI	0.5 PSI
0/60 PSI	PC	10 PSI	1 PSI
0/100 PSI	PD	20 PSI	2 PSI
0/160 PSI	PE	20 PSI	2 PSI
0/200 PSI	PF	40 PSI	4 PSI
0/300 PSI	PG	50 PSI	5 PSI
0/400 PSI	PH	50 PSI	5 PSI
0/600 PSI	PI	100 PSI	10 PSI
0/1000 PSI	PK	200 PSI	20 PSI
0/1500 PSI	PL	200 PSI	20 PSI
0/2000 PSI	PM	400 PSI	50 PSI
0/3000 PSI	PN	500 PSI	50 PSI
0/5000 PSI	PO	1000 PSI	100 PSI
0/6000 PSI	PX	2000 PSI	200 PSI
0/10,000 PSI	PP	2000 PSI	200 PSI
0/15,000 PSI	PR	2000 PSI	200 PSI



MODEL 401L ▶



The Glycerin filling in liquid filled gauges helps dampen the effects of pulsation and vibration. While also perpetually lubricating the movement and keeping contaminants away, the liquid extends the life of the gauge.

HOW TO ORDER - PLEASE SPECIFY THE FOLLOWING:

MODEL #	CONNECTION SIZE	RANGE
401L	4 = 1/4" NPT	2 digit code from table

4" GLYCERIN FILLED GAUGE BRASS BOURDON TUBE AND SOCKET MODEL 401C4

STANDARD FEATURES

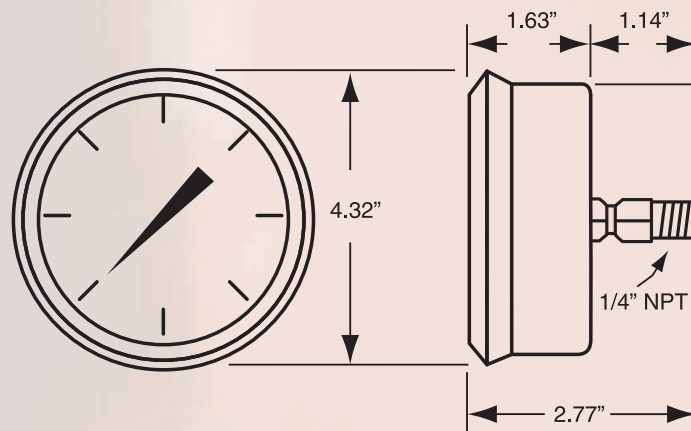
- 4" dial size (100mm)
- Brass bourdon tube and socket
- Brass movement
- Glycerin filled
- Corrosion resistant stainless steel case and ring
- 1% full scale accuracy per ASME B40.1 Grade 1A
- 1/4" NPT center back connection
- White scale with black graduations and numerals
Metric readings in blue
- Suitable for water, air, oil, gas or any medium
not corrosive to copper alloys
- Siphon required for steam applications

STANDARD RANGES

RANGE	CODE	FIGURES	GRADUATIONS
30"/0" VAC	P2	5 HG	0.5" HG
30"/0/15	P3	10" HG/5 PSI	1" HG/0.5 PSI
30"/0/30	P4	10" HG/10 PSI	1" HG/1 PSI
30"/0/60	P5	10" HG/10 PSI	2" HG/1 PSI
30"/0/100	P6	30" HG/20 PSI	5" HG/2 PSI
30"/0/150	P7	30" HG/20 PSI	5" HG/2 PSI
30"/0/300	P8	30" HG/50 PSI	5" HG/10 PSI
0/15 PSI	PA	2 PSI	0.2 PSI
0/30 PSI	PB	5 PSI	0.5 PSI
0/60 PSI	PC	10 PSI	1 PSI
0/100 PSI	PD	20 PSI	2 PSI
0/160 PSI	PE	20 PSI	2 PSI
0/200 PSI	PF	40 PSI	4 PSI
0/300 PSI	PG	50 PSI	5 PSI
0/400 PSI	PH	50 PSI	5 PSI
0/600 PSI	PI	100 PSI	10 PSI
0/1000 PSI	PK	200 PSI	20 PSI
0/1500 PSI	PL	200 PSI	20 PSI
0/2000 PSI	PM	400 PSI	50 PSI
0/3000 PSI	PN	500 PSI	50 PSI
0/5000 PSI	PO	1000 PSI	100 PSI
0/6000 PSI	PX	2000 PSI	200 PSI
0/10,000 PSI	PP	2000 PSI	200 PSI
0/15,000 PSI	PR	2000 PSI	200 PSI



MODEL 401C



The Glycerin filling in liquid filled gauges helps dampen the effects of pulsation and vibration. While also perpetually lubricating the movement and keeping contaminants away, the liquid extends the life of the gauge.

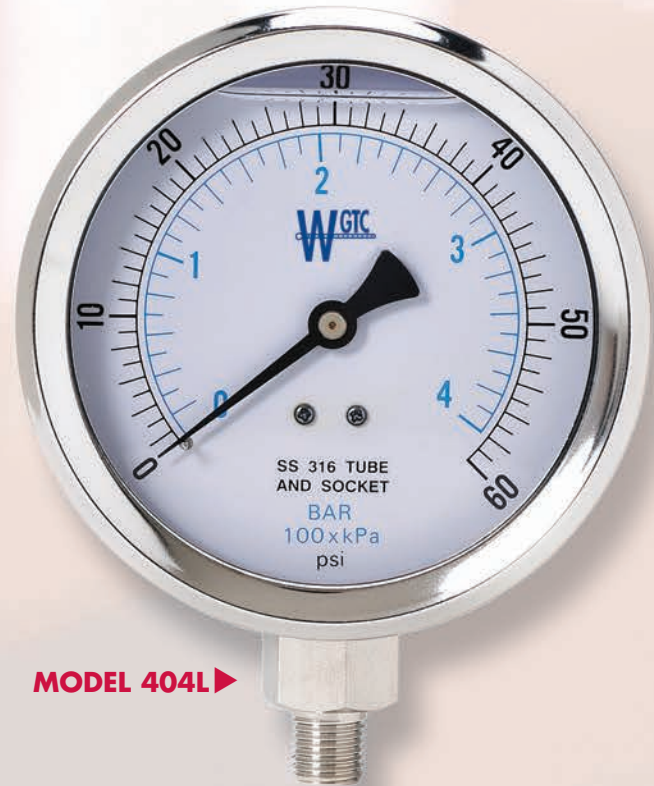
HOW TO ORDER - PLEASE SPECIFY THE FOLLOWING:

MODEL #	CONNECTION SIZE	RANGE
401C	4 = 1/4" NPT	2 digit code from table

4" GLYCERIN FILLED GAUGE STAINLESS STEEL BOURDON TUBE AND SOCKET MODEL 404L

STANDARD FEATURES

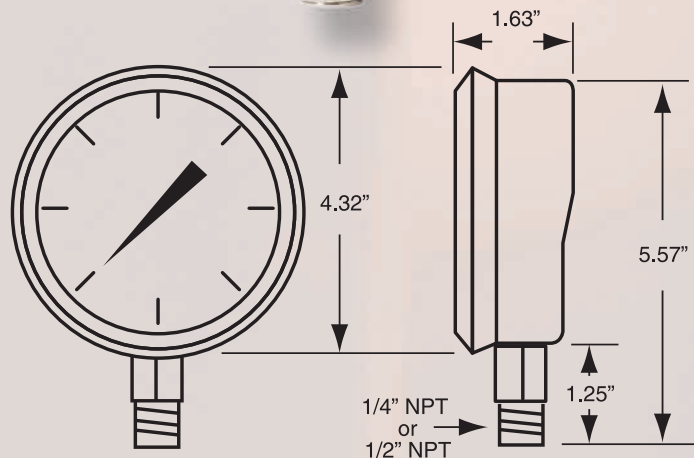
- 4" dial size (100mm)
- 316 stainless steel tube and socket
- Stainless steel movement
- Glycerin filled
- Corrosion resistant stainless steel case and ring
- 1% full scale accuracy per ASME B40.1 Grade 1A
- 1/4" NPT or 1/2" NPT bottom connection
- White scale with black graduations and numerals
Metric readings in blue
- Siphon required for steam applications



MODEL 404L ▶

STANDARD RANGES

RANGE	CODE	FIGURES	GRADUATIONS
30"/0" VAC	P2	5 HG	0.5" HG
30"/0/15	P3	10" HG/5 PSI	1" HG/0.5 PSI
30"/0/30	P4	10" HG/10 PSI	1" HG/1 PSI
30"/0/60	P5	10" HG/10 PSI	2" HG/1 PSI
30"/0/100	P6	30" HG/20 PSI	5" HG/2 PSI
30"/0/150	P7	30" HG/20 PSI	5" HG/2 PSI
30"/0/300	P8	30" HG/50 PSI	5" HG/10 PSI
0/15 PSI	PA	2 PSI	0.2 PSI
0/30 PSI	PB	5 PSI	0.5 PSI
0/60 PSI	PC	10 PSI	1 PSI
0/100 PSI	PD	20 PSI	2 PSI
0/160 PSI	PE	20 PSI	2 PSI
0/200 PSI	PF	40 PSI	4 PSI
0/300 PSI	PG	50 PSI	5 PSI
0/400 PSI	PH	50 PSI	5 PSI
0/600 PSI	PI	100 PSI	10 PSI
0/1000 PSI	PK	200 PSI	20 PSI
0/1500 PSI	PL	200 PSI	20 PSI
0/2000 PSI	PM	400 PSI	50 PSI
0/3000 PSI	PN	500 PSI	50 PSI
0/5000 PSI	PO	1000 PSI	100 PSI
0/6000 PSI	PX	2000 PSI	200 PSI
0/10,000 PSI	PP	2000 PSI	200 PSI
0/15,000 PSI	PR	2000 PSI	200 PSI



The Glycerin filling in liquid filled gauges helps dampen the effects of pulsation and vibration. While also perpetually lubricating the movement and keeping contaminants away, the liquid extends the life of the gauge.

HOW TO ORDER - PLEASE SPECIFY THE FOLLOWING:

MODEL #	CONNECTION SIZE	RANGE
404L	2 = 1/2" NPT 4 = 1/4" NPT	2 digit code from table

4" GLYCERIN FILLED GAUGE STAINLESS STEEL BOURDON TUBE AND SOCKET MODEL 404C

STANDARD FEATURES

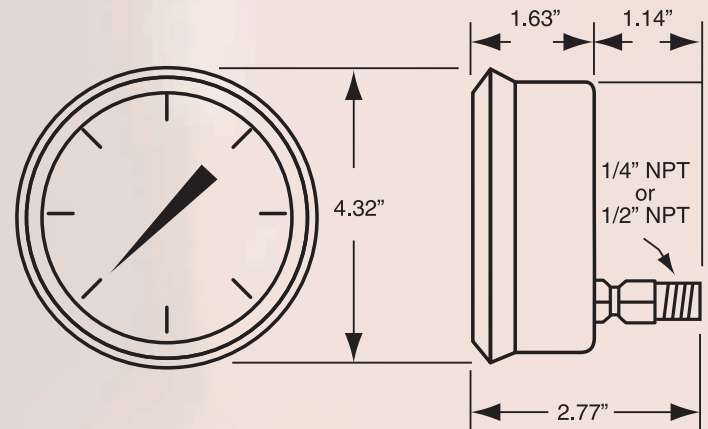
- 4" dial size (100mm)
- 316 stainless steel tube and socket
- Stainless steel movement
- Glycerin filled
- Corrosion resistant stainless steel case and ring
- 1% full scale accuracy per ASME B40.1 Grade 1A
- 1/2" NPT or 1/4" NPT lower back connection
- White scale with black graduations and numerals
- Siphon required for steam applications



MODEL 404C

STANDARD RANGES

RANGE	CODE	FIGURES	GRADUATIONS
30"/0" VAC	P2	5 HG	0.5" HG
30"/0/15	P3	10" HG/5 PSI	1" HG/0.5 PSI
30"/0/30	P4	10" HG/10 PSI	1" HG/1 PSI
30"/0/60	P5	10" HG/10 PSI	2" HG/1 PSI
30"/0/100	P6	30" HG/20 PSI	5" HG/2 PSI
30"/0/150	P7	30" HG/20 PSI	5" HG/2 PSI
30"/0/300	P8	30" HG/50 PSI	5" HG/10 PSI
0/15 PSI	PA	2 PSI	0.2 PSI
0/30 PSI	PB	5 PSI	0.5 PSI
0/60 PSI	PC	10 PSI	1 PSI
0/100 PSI	PD	20 PSI	2 PSI
0/160 PSI	PE	20 PSI	2 PSI
0/200 PSI	PF	40 PSI	4 PSI
0/300 PSI	PG	50 PSI	5 PSI
0/400 PSI	PH	50 PSI	5 PSI
0/600 PSI	PI	100 PSI	10 PSI
0/1000 PSI	PK	200 PSI	20 PSI
0/1500 PSI	PL	200 PSI	20 PSI
0/2000 PSI	PM	400 PSI	50 PSI
0/3000 PSI	PN	500 PSI	50 PSI
0/5000 PSI	PO	1000 PSI	100 PSI
0/6000 PSI	PX	2000 PSI	200 PSI
0/10,000 PSI	PP	2000 PSI	200 PSI
0/15,000 PSI	PR	2000 PSI	200 PSI



The Glycerin filling in liquid filled gauges helps dampen the effects of pulsation and vibration. While also perpetually lubricating the movement and keeping contaminants away, the liquid extends the life of the gauge.

HOW TO ORDER - PLEASE SPECIFY THE FOLLOWING:		
MODEL #	CONNECTION SIZE	RANGE
404C	2 = 1/2" NPT 4 = 1/4" NPT	2 digit code from table

2 1/2" LOW PRESSURE GAUGE BRASS CAPSULE AND SOCKET MODEL 25KL4

STANDARD FEATURES

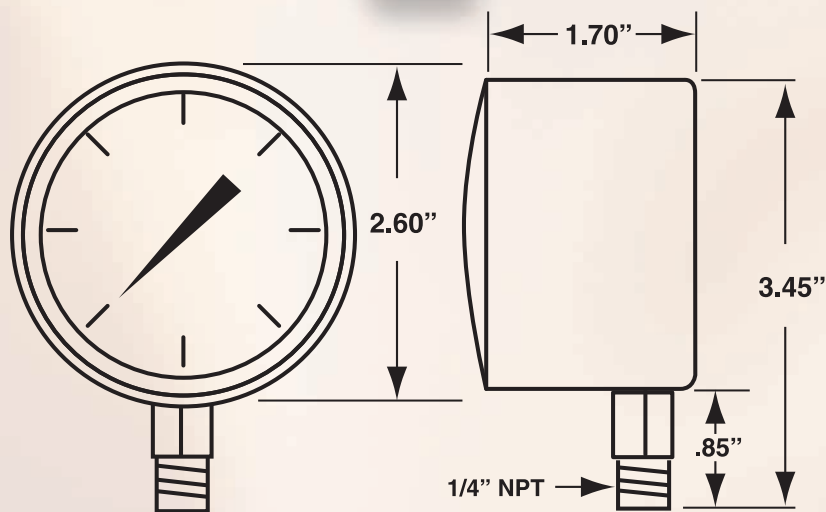
- 2 1/2" dial size
- Brass internals and connection
- Brass movement
- Chrome case with twist lock plastic lens
- 1/4" NPT bottom connection
- Accuracy: 1.5% full scale
- White scale with black graduations and numerals



MODEL 25KL ▶

STANDARD RANGES

RANGE	CODE	GRADUATIONS
30-0"WC VAC	VB	5" WC
0-10"WC	LA	5" WC
0-15"WC	LB	.2" WC
0-30"WC	LC	.5" WC
0/35"WC/20oz.	LK	.5" WC
0/60"WC/35oz.	LD	1" WC
0-100"WC	LE	2" WC
0-160"WC	LF	5" WC
0-200"WC	LG	5" WC
0-3 PSI	LH	.05 PSI
0-5 PSI	LI	.1 PSI
0-10 PSI	LJ	.2 PSI



HOW TO ORDER - PLEASE SPECIFY THE FOLLOWING:

MODEL #	RANGE
25KL4	2 digit code from table

2 1/2" LOW PRESSURE GAUGE BRASS CAPSULE AND SOCKET MODEL 25KC4

STANDARD FEATURES

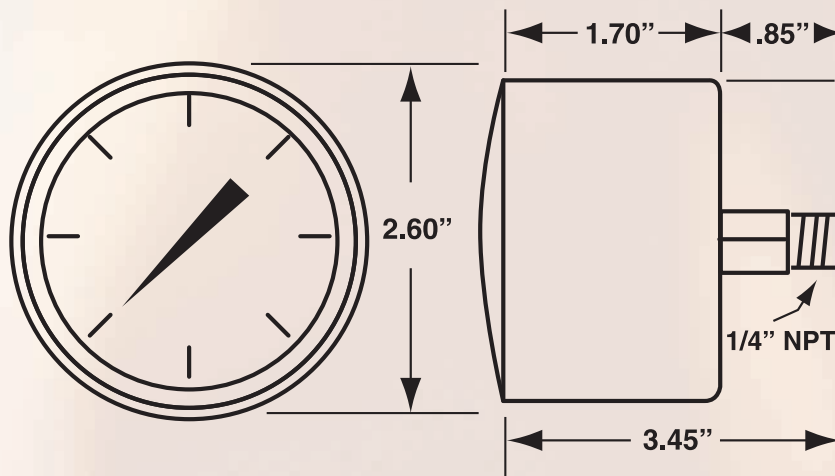
- 2 1/2" dial size
- Brass internals and connection
- Brass movement
- Chrome case with twist lock plastic lens
- 1/4" NPT center back connection
- Accuracy: 1.5% full scale
- White scale with black graduations and numerals



▲ MODEL 25KC

STANDARD RANGES

RANGE	CODE	GRADUATIONS
30-0"WC VAC	VB	5" WC
0-10"WC	LA	5" WC
0-15"WC	LB	.2" WC
0-30"WC	LC	.5" WC
0/35"WC/20oz.	LK	.5" WC
0/60"WC/35oz.	LD	1" WC
0-100"WC	LE	2" WC
0-160"WC	LF	5" WC
0-200"WC	LG	5" WC
0-3 PSI	LH	.05 PSI
0-5 PSI	LI	.1 PSI
0-10 PSI	LJ	.2 PSI



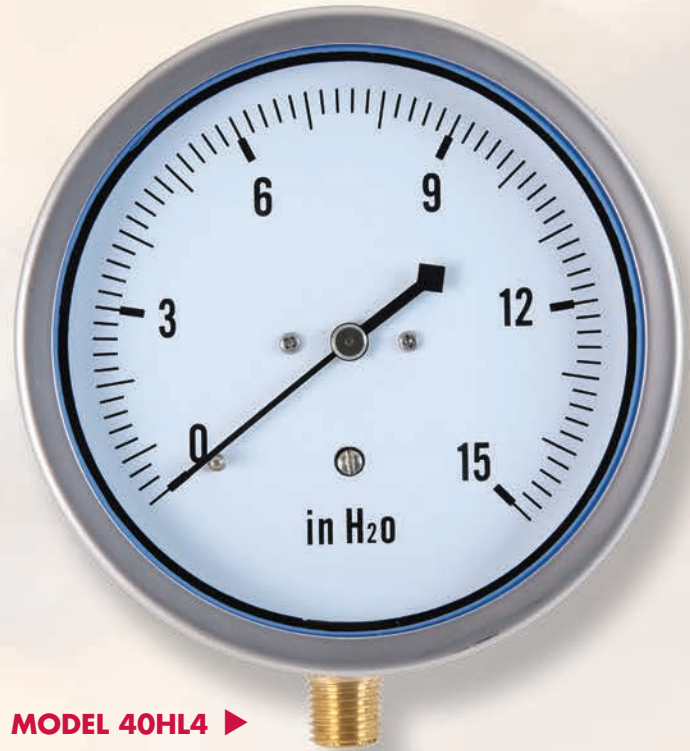
HOW TO ORDER - PLEASE SPECIFY THE FOLLOWING:

MODEL #	RANGE
25KC4	2 digit code from table

4" LOW PRESSURE GAUGE COPPER ALLOY CAPSULE AND SOCKET MODEL 40HL4

STANDARD FEATURES

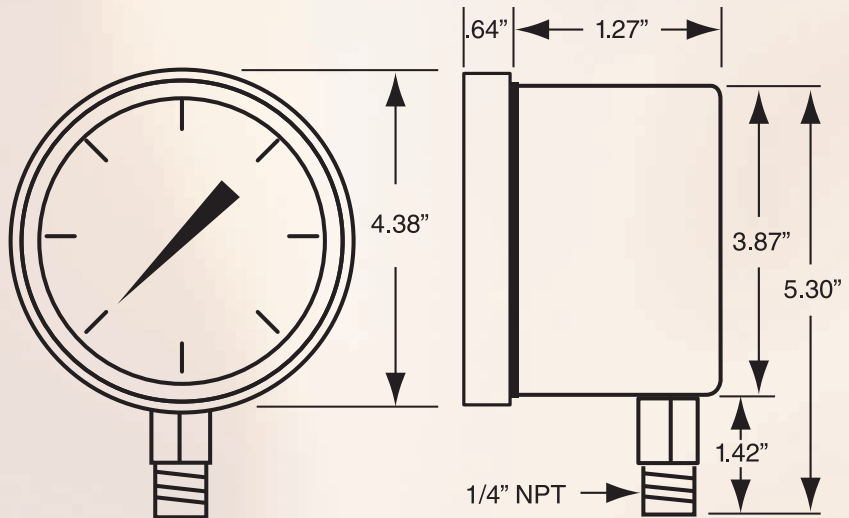
- 4" dial size
- Copper alloy capsule and socket
- Corrosion resistant stainless steel case and bezel
- 1/4" NPT, bottom connection
- Heavy-duty glass lens
- Accuracy: 2/1/2% per ASME B40.1 Grade A
- White scale with black graduations and numerals



MODEL 40HL4 ▶

STANDARD RANGES

RANGE	CODE
15/0" WC VAC	VE
30/0" WC VAC	VB
60/0" WC VAC	VD
100/0" WC VAC	VC
200/0" WC VAC	VF
15" WC VAC/0/15" WC	LO
30" WC VAC/0/30" WC	LL
100" WC VAC/0/15" WC	LM
0/10" WC	LA
0/15" WC	LB
0/17.5" WC & 0/10 OZ.	LP
0/30" WC	LC
0/35" WC & 0/20 OZ.	LK
0/60" WC	LD
0/100" WC	LE
0/160" WC	LF
0/200" WC	LG
0/3" PSI	LH
0/5" PSI	LI
0/10" PSI	LJ



HOW TO ORDER - PLEASE SPECIFY THE FOLLOWING:

MODEL #	RANGE
40HL4	2 digit code from table

4" LOW PRESSURE GAUGE 316SS CAPSULE AND SOCKET MODEL 40JL

STANDARD FEATURES

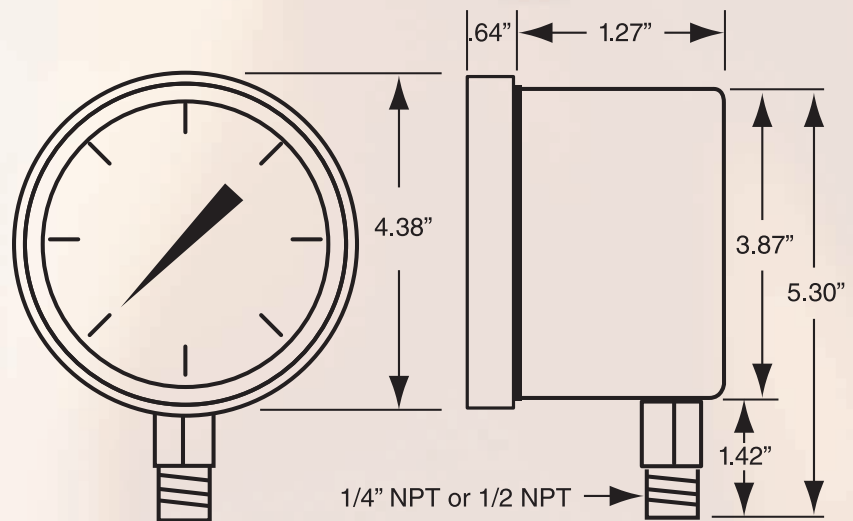
- 4" dial size
- 316SS capsule and socket
- Corrosion resistant stainless steel case and bezel
- 1/4" NPT or 1/2" NPT, bottom connection
- Heavy-duty glass lens
- Accuracy: 2/1/2% per ASME B40.1 Grade A
- White scale with black graduations and numerals



MODEL 40JL ▶

STANDARD RANGES

RANGE	CODE
15/0" WC VAC	VE
30/0" WC VAC	VB
60/0" WC VAC	VD
100/0" WC VAC	VC
200/0" WC VAC	VF
5" WC VAC/0/5" WC	LR
10" WC VAC/0/10" WC	LQ
30" WC VAC/0/30" WC	LL
0/10" WC	LA
0/15" WC	LB
0/30" WC	LC
0/35" WC & 0/20 OZ.	LK
0/60" WC	LD
0/100" WC	LE
0/160" WC	LF
0/200" WC	LG
0/3" PSI	LH
0/5" PSI	LI
0/10" PSI	LJ



HOW TO ORDER - PLEASE SPECIFY THE FOLLOWING:

MODEL #	CONNECTION SIZE	RANGE
40JL	2 = 1/2" NPT 4 = 1/4" NPT	2 digit code from tables

4 1/2" PROCESS GAUGE BRASS BOURDON TUBE AND SOCKET MODEL HA14-4

STANDARD FEATURES

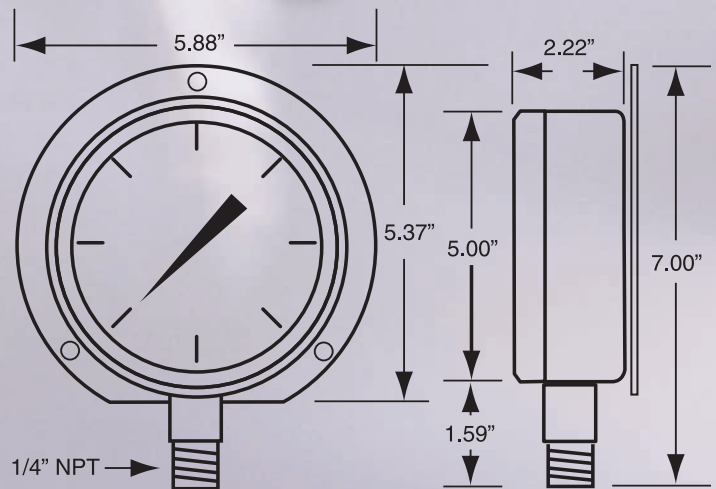
- 4 1/2" dial size
- Brass bourdon tube and socket
- Heavy duty stainless steel movement with underload and overload stops
- Solid front aluminum back flanged safety case
- 1/2% full scale accuracy per ASME B40.1 Grade 2A
- Balanced micrometer adjustable pointer
- 1/4" NPT bottom connection
- Glass lens



MODEL HA14-4 ▶

STANDARD RANGES

RANGE	CODE	FIGURES	GRADUATIONS
30"/0 VAC	VC	5" HG	0.2" HG
30" -0-15	CA	10"HG/5 PSI	1"HG/.5 PSI
30" -0-30	CB	10"HG/5 PSI	1"HG/.5 PSI
30" -0-60	CC	10"HG/10 PSI	2"HG/1 PSI
30" -0-100	CD	10"HG/20 PSI	2"HG/1 PSI
0-15 PSI	PC	3 PSI	0.2 PSI
0-30 PSI	PD	5 PSI	0.2 PSI
0-60 PSI	PE	5 PSI	0.5 PSI
0-100 PSI	PF	10 PSI	1 PSI
0-160 PSI	PG	20 PSI	1 PSI
0-200 PSI	PH	20 PSI	2 PSI
0-300 PSI	PJ	50 PSI	2 PSI
0-400 PSI	PK	50 PSI	2 PSI
0-600 PSI	PM	50 PSI	5 PSI
0-1000 PSI	PP	100 PSI	10 PSI



HOW TO ORDER - PLEASE SPECIFY THE FOLLOWING:

MODEL #	RANGE	CONNECTION SIZE	CONNECTION LOCATION
HA14-4	2 digit code from table	4 = 1/4" NPT	L = Lower

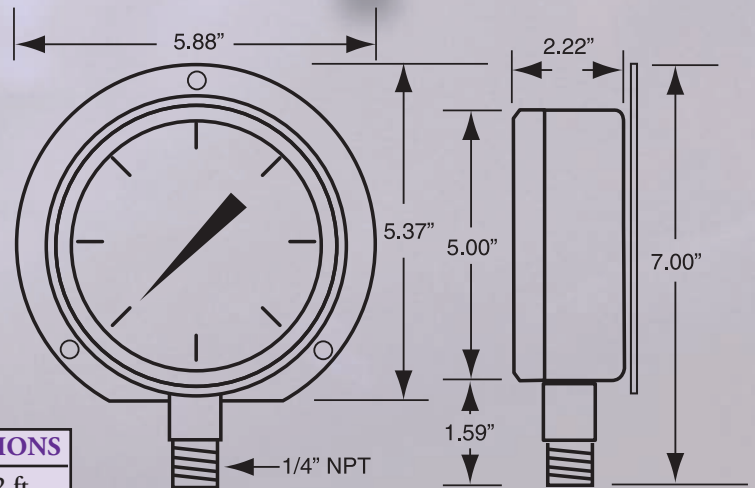
4 1/2" ALTITUDE GAUGE BRASS BOURDON TUBE AND SOCKET MODEL HA14-4ALT

STANDARD FEATURES

- 4 1/2" dial size
- Dial reads in PSI and feet of water
- Red set hand
- Brass bourdon tube and socket
- Heavy duty stainless steel movement with underload and overload stops
- Solid front aluminum back flanged safety case
- 1/2% full scale accuracy per ASME B40.1 Grade 2A
- Balanced micrometer adjustable pointer
- 1/4" NPT bottom connection
- Plastic lens



MODEL HA14-4 ALT ▶



PRESSURE/ALTITUDE RANGES

RANGE	CODE	FIGURES	GRADUATIONS
0/15 PSI & 0/35 ft	AA	2 PSI / 5 ft	.1 PSI / .2 ft
0/30 PSI & 0/70 ft	AB	5 PSI / 10 ft	.2 PSI / .5 ft
0/60 PSI & 0/140 ft	AC	10 PSI / 20 ft	.4 PSI / 1 ft
0/100 PSI & 0/230 ft	AD	10 PSI / 50 ft	1 PSI / 2 ft
0/160 PSI & 0/370 ft	AE	20 PSI / 50 ft	1 PSI / 2 ft
0/200 PSI & 0/460 ft	AF	20 PSI / 50 ft	2 PSI / 5 ft

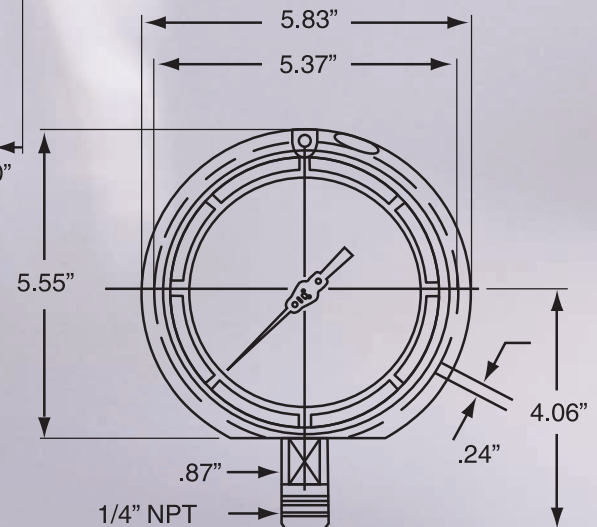
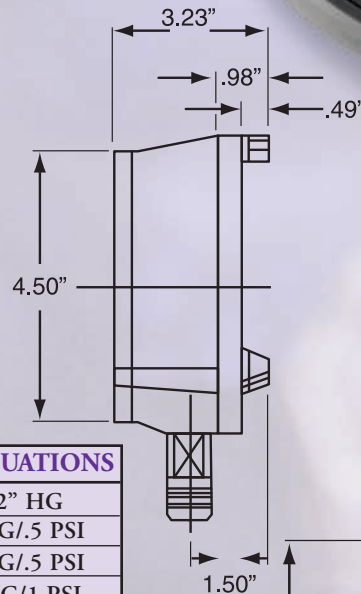
HOW TO ORDER - PLEASE SPECIFY THE FOLLOWING:

MODEL #	RANGE	CONNECTION SIZE	CONNECTION LOCATION
HA14-4ALT	2 digit code from table	4 = 1/4" NPT	L = Lower

4 1/2" PROCESS GAUGE BRASS BOURDON TUBE AND SOCKET MODEL HA14-P & MODEL HY14-P

STANDARD FEATURES

- 4 1/2" dial size
- Phosphor bronze bourdon tube and brass socket
- Heavy duty brass movement
- Solid front fiberglass reinforced thermoplastic case
- Available dry or factory glycerin filled
- Liquid fillable with optional 1-piece kit
- 1/2% full scale accuracy per ASME B40.1 Grade 2A
- Balanced micrometer adjustable pointer
- 1/4" NPT, bottom connection
- Acrylic lens



STANDARD RANGES

RANGE	CODE	FIGURES	GRADUATIONS
30" /0 VAC	VC	5" HG	0.2" HG
30" -0-15	CA	10"HG/5 PSI	1"HG/.5 PSI
30" -0-30	CB	10"HG/5 PSI	1"HG/.5 PSI
30" -0-60	CC	10"HG/10 PSI	2"HG/1 PSI
30" -0-100	CD	10"HG/20 PSI	2"HG/1 PSI
0-15 PSI	PC	3 PSI	0.2 PSI
0-30 PSI	PD	5 PSI	0.2 PSI
0-60 PSI	PE	5 PSI	0.5 PSI
0-100 PSI	PF	10 PSI	1 PSI
0-160 PSI	PG	20 PSI	1 PSI
0-200 PSI	PH	20 PSI	2 PSI
0-300 PSI	PJ	50 PSI	2 PSI
0-400 PSI	PK	50 PSI	2 PSI
0-600 PSI	PM	50 PSI	5 PSI
0-1000 PSI	PP	100 PSI	10 PSI

HOW TO ORDER - PLEASE SPECIFY THE FOLLOWING:

MODEL #	RANGE	CONNECTION SIZE	CONNECTION LOCATION
HA14-P (dry case)	2 digit code from table	4 = 1/4" NPT	L = Lower
HY14-P (filled case)			

4 1/2" PROCESS GAUGE STAINLESS STEEL BOURDON TUBE AND SOCKET MODEL 45PL & MODEL 45LL

STANDARD FEATURES

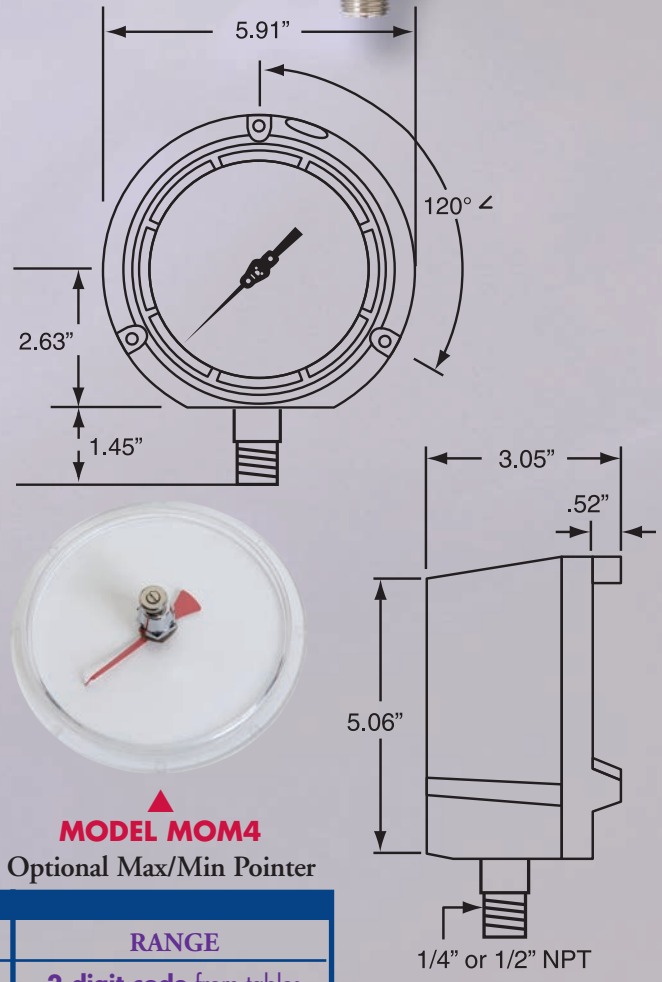
- 4 1/2" dial size
- 316 stainless steel bourbon tube and socket
- Heavy duty stainless steel movement with underload and overload stops
- Solid front hermetically sealed phenolic case
- Available dry or factory glycerin filled
- Field fillable
- 1/2% full scale accuracy per ASME B40.1 Grade 2A
- Balanced micrometer adjustable pointer
- 1/2" NPT or 1/4" NPT bottom connection
- Plastic lens

STANDARD RANGES

RANGE	CODE	FIGURES	GRADUATIONS
30"/0 VAC	P2	5" HG	0.2"
30" -0-15	P3	10"HG/5 PSI	1"HG/.5 PSI
30" -0-30	P4	10"HG/5 PSI	1"HG/.5 PSI
30" -0-60	P5	10"HG/10 PSI	1"HG/1 PSI
30" -0-100	P6	10"HG/20 PSI	1"HG/1 PSI
30" -0-150	P7	10"HG/30 PSI	1"HG/2 PSI
30" -0-200	P9	10"HG/50 PSI	1"HG/2 PSI
30" -0-300	P8	10"HG/50 PSI	1"HG/5 PSI
30" -0-600	C2	10"HG/100 PSI	1"HG/10 PSI
0-15 PSI	PA	3 PSI	0.2 PSI
0-30 PSI	PB	5 PSI	0.2 PSI
0-60 PSI	PC	5 PSI	0.5 PSI
0-100 PSI	PD	10 PSI	1 PSI
0-160 PSI	PE	20 PSI	1 PSI
0-200 PSI	PF	20 PSI	2 PSI
0-300 PSI	PG	50 PSI	2 PSI
0-400 PSI	PH	50 PSI	2 PSI
0-600 PSI	PI	50 PSI	5 PSI
0-800 PSI	PJ	100 PSI	5 PSI
0-1000 PSI	PK	100 PSI	10 PSI
0-1500 PSI	PL	250 PSI	10 PSI
0-2000 PSI	PM	200 PSI	20 PSI
0-3000 PSI	PN	500 PSI	20 PSI
0-5000 PSI	PO	1000 PSI	50 PSI
0-10,000 PSI	PP	1000 PSI	100 PSI
0-15,000 PSI	PR	2,500 PSI	100 PSI
0-20,000 PSI	PS	2,000 PSI	200 PSI



MODEL 45PL



MODEL MOM4

Optional Max/Min Pointer

HOW TO ORDER - PLEASE SPECIFY THE FOLLOWING:

MODEL #	CONNECTION SIZE	RANGE
45PL (dry case) 45LL (filled case)	2 = 1/2" NPT 4 = 1/4" NPT	2 digit code from tables

4 1/2" PROCESS GAUGE STAINLESS STEEL BOURDON TUBE AND SOCKET MODEL 45PB & MODEL 45LB

WGTC WEKSLER GLASS
THERMOMETER CORP.

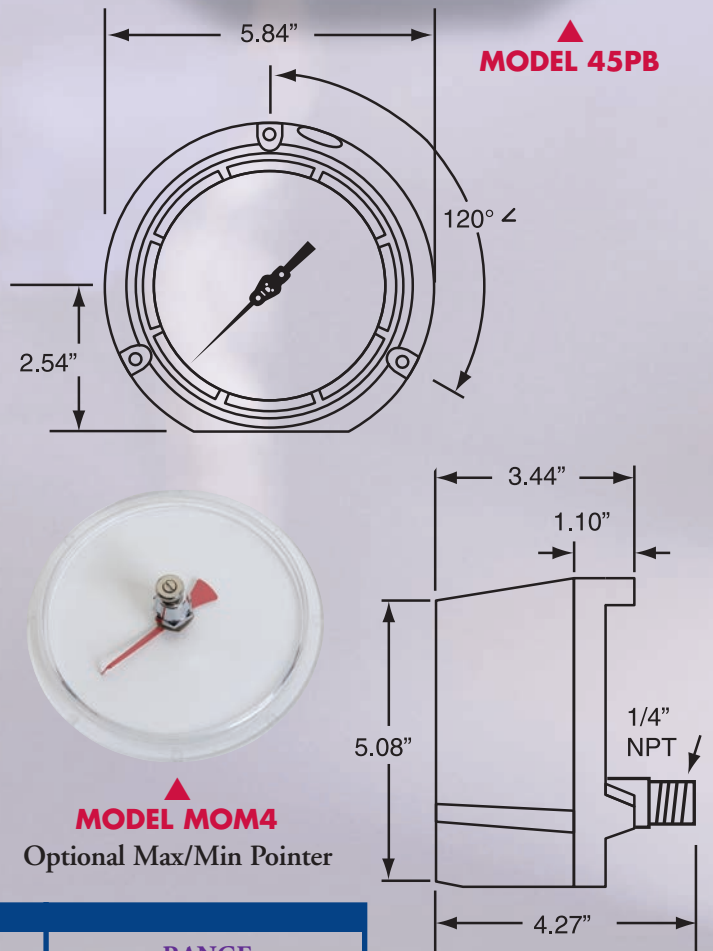
STANDARD FEATURES

- 4 1/2" dial size
- 316 stainless steel bourbon tube and socket
- Heavy duty stainless steel movement with underload and overload stops
- Solid front hermetically sealed phenolic case
- Available dry or factory glycerin filled
- Field fillable
- 1/2% full scale accuracy per ANSI B40.1 Grade 2A
- Balanced micrometer adjustable pointer
- 1/4" NPT lower back connection
- Plastic lens



STANDARD RANGES

RANGE	CODE	FIGURES	GRADUATIONS
30" 0 VAC	P2	5" HG	0.2"
30" -0-15	P3	10"HG/5 PSI	1"HG/.5 PSI
30" -0-30	P4	10"HG/5 PSI	1"HG/.5 PSI
30" -0-60	P5	10"HG/10 PSI	1"HG/1 PSI
30" -0-100	P6	10"HG/20 PSI	1"HG/1 PSI
30" -0-150	P7	10"HG/30 PSI	1"HG/2 PSI
30" -0-200	P9	10"HG/50 PSI	1"HG/2 PSI
30" -0-300	P8	10"HG/50 PSI	1"HG/5 PSI
30" -0-600	C2	10"HG/100 PSI	1"HG/10 PSI
0-15 PSI	PA	3 PSI	0.2 PSI
0-30 PSI	PB	5 PSI	0.2 PSI
0-60 PSI	PC	5 PSI	0.5 PSI
0-100 PSI	PD	10 PSI	1 PSI
0-160 PSI	PE	20 PSI	1 PSI
0-200 PSI	PF	20 PSI	2 PSI
0-300 PSI	PG	50 PSI	2 PSI
0-400 PSI	PH	50 PSI	2 PSI
0-600 PSI	PI	50 PSI	5 PSI
0-800 PSI	PJ	100 PSI	5 PSI
0-1000 PSI	PK	100 PSI	10 PSI
0-1500 PSI	PL	250 PSI	10 PSI
0-2000 PSI	PM	200 PSI	20 PSI
0-3000 PSI	PN	500 PSI	20 PSI
0-5000 PSI	PO	1000 PSI	50 PSI
0-10,000 PSI	PP	1000 PSI	100 PSI
0-15,000 PSI	PR	2,500 PSI	100 PSI
0-20,000 PSI	PS	2,000 PSI	200 PSI



MODEL 45PB

MODEL MOM4
Optional Max/Min Pointer

HOW TO ORDER - PLEASE SPECIFY THE FOLLOWING:

MODEL #	CONNECTION SIZE	RANGE
45PB (dry case) 45LB (filled case)	4 = 1/4" NPT	2 digit code from tables

4 1/2" PROCESS GAUGE STAINLESS STEEL BOURDON TUBE AND SOCKET MODEL HA44-8 & MODEL HY44-8

STANDARD FEATURES

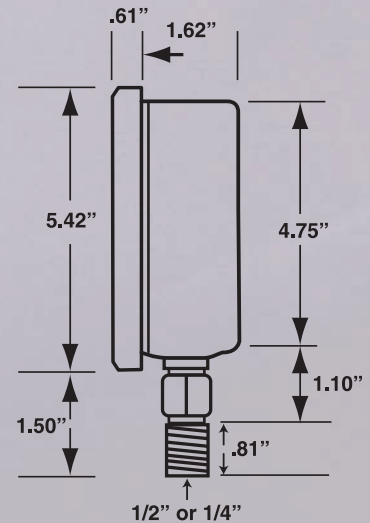
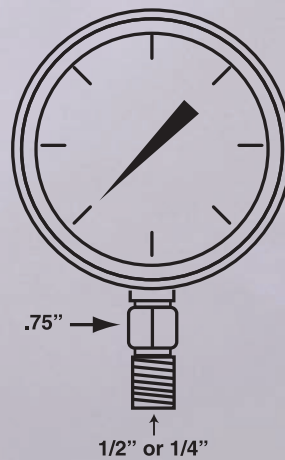
- 4 1/2" dial size
- 316 stainless steel bourbon tube and socket
- Heavy duty stainless steel movement
- Solid front stainless steel safety case available dry or factory glycerin filled.
- Field fillable
- 1/2% full scale accuracy per ASME B40.1 Grade 2A
- Balanced micrometer adjustable pointer
- 1/4" or 1/2" NPT bottom connection
- Laminated safety glass lens



◀ **MODEL HA44-8**

STANDARD RANGES

RANGE	CODE	FIGURES	GRADUATIONS
30"/0 VAC	P2	5" HG	0.2"
30" -0-15	P3	10"HG/5 PSI	1"HG/.5 PSI
30" -0-30	P4	10"HG/5 PSI	1"HG/.5 PSI
30" -0-60	P5	10"HG/10 PSI	1"HG/1 PSI
30" -0-100	P6	10"HG/20 PSI	1"HG/1 PSI
30" -0-150	P7	10"HG/30 PSI	1"HG/2 PSI
30" -0-200	P9	10"HG/50 PSI	1"HG/2 PSI
30" -0-300	P8	10"HG/50 PSI	1"HG/5 PSI
30" -0-600	C2	10"HG/100 PSI	1"HG/10 PSI
0-15 PSI	PA	3 PSI	0.2 PSI
0-30 PSI	PB	5 PSI	0.2 PSI
0-60 PSI	PC	5 PSI	0.5 PSI
0-100 PSI	PD	10 PSI	1 PSI
0-160 PSI	PE	20 PSI	1 PSI
0-200 PSI	PF	20 PSI	2 PSI
0-300 PSI	PG	50 PSI	2 PSI
0-400 PSI	PH	50 PSI	2 PSI
0-600 PSI	PI	50 PSI	5 PSI
0-1000 PSI	PK	100 PSI	10 PSI
0-1500 PSI	PL	250 PSI	10 PSI
0-2000 PSI	PM	200 PSI	20 PSI
0-3000 PSI	PN	500 PSI	20 PSI
0-5000 PSI	PO	1000 PSI	50 PSI
0-10,000 PSI	PP	1000 PSI	100 PSI
0-15,000 PSI	PR	2,500 PSI	100 PSI
0-20,000 PSI	PS	2,000 PSI	200 PSI



HOW TO ORDER - PLEASE SPECIFY THE FOLLOWING:

MODEL #	RANGE	CONNECTION SIZE	CONNECTION LOCATION
HA44-8 (dry case)	2 digit code from table	4 = 1/4" NPT	L = Lower
HY44-8 (filled case)		2 = 1/2" NPT	

6" PROCESS GAUGE STAINLESS STEEL BOURDON TUBE AND SOCKET MODEL HA46-Y & MODEL HY46-Y

STANDARD FEATURES

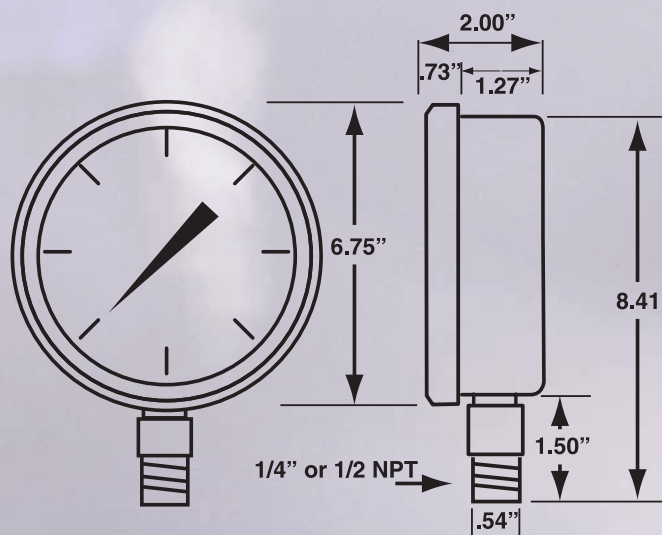
- 6" dial size
- 316 stainless steel bourbon tube and socket
- Heavy duty stainless steel movement with underload and overload stops
- Stainless steel case available dry or factory glycerin filled.
- Field fillable
- 1/2% full scale accuracy per ASME B40.1 Grade 2A
- Balanced micrometer adjustable pointer
- 1/4" or 1/2" NPT bottom connection
- Laminated Safety Glass

STANDARD RANGES

RANGE	CODE	FIGURES	GRADUATIONS
30" /0 VAC	P2	5" HG	0.2"
30" -0-15	P3	10"HG/5 PSI	1"HG/5 PSI
30" -0-30	P4	10"HG/5 PSI	1"HG/5 PSI
30" -0-60	P5	10"HG/10 PSI	1"HG/1 PSI
30" -0-100	P6	10"HG/20 PSI	1"HG/1 PSI
30" -0-150	P7	10"HG/30 PSI	1"HG/2 PSI
30" -0-200	P9	10"HG/50 PSI	1"HG/2 PSI
30" -0-300	P8	10"HG/50 PSI	1"HG/5 PSI
30" -0-600	C2	10"HG/100 PSI	1"HG/10 PSI
0-15 PSI	PA	3 PSI	0.2 PSI
0-30 PSI	PB	5 PSI	0.2 PSI
0-60 PSI	PC	5 PSI	0.5 PSI
0-100 PSI	PD	10 PSI	1 PSI
0-160 PSI	PE	20 PSI	1 PSI
0-200 PSI	PF	20 PSI	2 PSI
0-300 PSI	PG	50 PSI	2 PSI
0-400 PSI	PH	50 PSI	2 PSI
0-600 PSI	PI	50 PSI	5 PSI
0-1000 PSI	PK	100 PSI	10 PSI
0-1500 PSI	PL	250 PSI	10 PSI
0-2000 PSI	PM	200 PSI	20 PSI
0-3000 PSI	PN	500 PSI	20 PSI
0-5000 PSI	PO	1000 PSI	50 PSI
0-10,000 PSI	PP	1000 PSI	100 PSI
0-15,000 PSI	PR	2,500 PSI	100 PSI
0-20,000 PSI	PS	2,000 PSI	200 PSI



◀ **MODEL HA46-Y**



HOW TO ORDER - PLEASE SPECIFY THE FOLLOWING:

MODEL #	RANGE	CONNECTION SIZE	CONNECTION LOCATION
HA46-Y (dry case)	2 digit code from table	4 = 1/4" NPT	L = Lower
HY46-Y (filled case)		2 = 1/2" NPT	

3" PROCESS GAUGE DIAL DIGITAL PRESSURE GAUGE MODEL 30DL4

STANDARD FEATURES

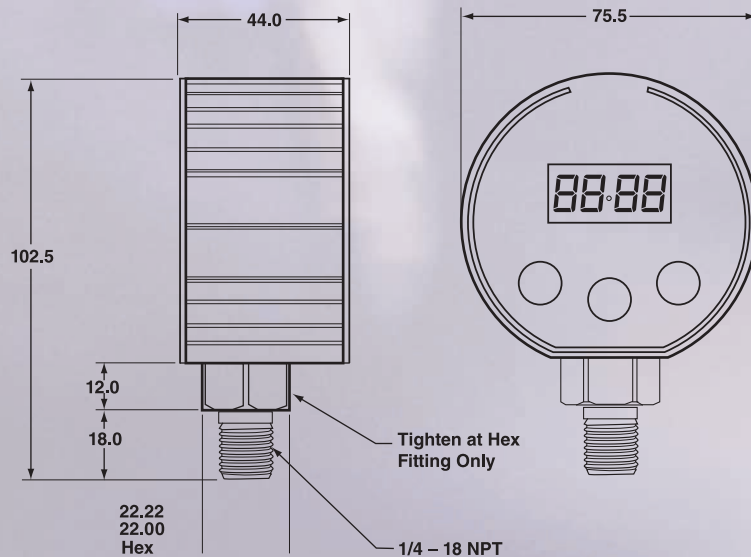
- Accuracy – +/- 0.25% Full Scale
- Output Type – 4 Digit LCD
- Keypad Functions – Multiple Pressure Units (PSI, BAR, MPA); Peak Hold; Zero Adjustment
- Supply Voltage – 9 Volt Battery
- Automatic Shutoff Time – 5 Minutes
- Media Isolation – 316L SS
- Connection – 304L SS, 1/4" NPT
- Chemical Compatibilities – Any Gas or Liquid Chemically Compatible with 304L SS and 316L SS
- Case – 3" with Black ABS Thermoplastic Case, NEMA 4x Rating
- Typical Applications – Refrigeration, Fuel Cells, Pumps, Hydraulics, Process Control, Pneumatics, Compressors, Waste Water, Agriculture
- Operating Temperature – -10°C to 60°C, 14°F to 140°F
- Storage Temperature – -20°C to 85°C, 4°F to 185°F
- Options – NIST Calibration Certificate, Protective Rubber Boot, Ft of Head Ranges Available



◀ **MODEL 30DL4**

STANDARD RANGES

RANGE	CODE
0-15 PSI	PA
0-50 PSI	PU
0-75 PSI	PV
0-100 PSI	PD
0-200 PSI	PF
0-300 PSI	PG
0-500 PSI	PW
0-750 PSI	PX
0-1,000 PSI	PK
0-1,500 PSI	PL
0-2,000 PSI	PM
0-3,000 PSI	PN
0-5,000 PSI	PO



HOW TO ORDER - PLEASE SPECIFY THE FOLLOWING:

MODEL #	RANGE
30DL4	2 digit code from table

4 1/2" GENERAL SERVICE GAUGE BRASS BOURDON TUBE AND SOCKET MODEL 45RL4

STANDARD FEATURES

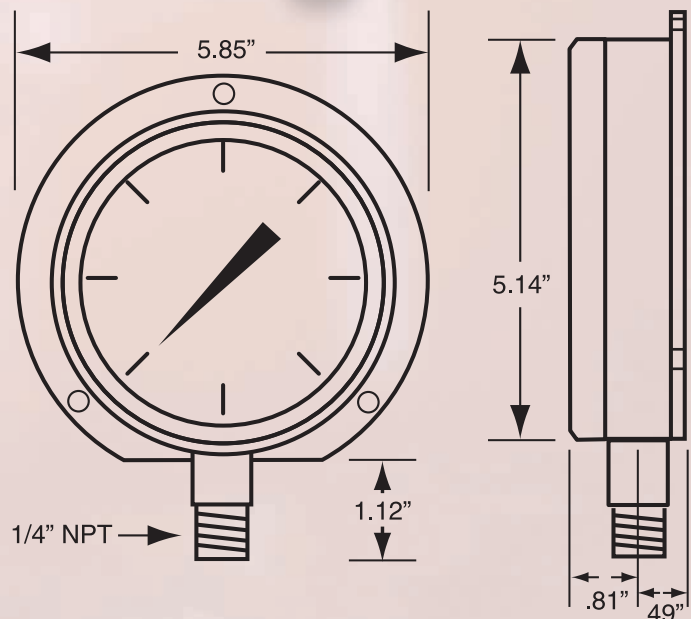
- 4 1/2" dial size
- Brass bourdon tube and socket
- Brass movement
- Glass reinforced plastic case
- 1% full scale accuracy per ASME B40.1 Grade 1A
- 1/4" NPT bottom connection
- Glass lens
- White scale with black graduations and numerals
- Suitable for water, air, oil, gas or any medium not corrosive to copper alloys
- Siphon required for steam applications



MODEL 45RL4 ▶

STANDARD RANGES

RANGE	CODE	FIGURES	GRADUATIONS
30"/0 VAC	P2	5" HG	1" HG
30" -0-15	P3	10"HG/5 PSI	2"HG/1 PSI
30" -0-30	P4	10"HG/5 PSI	2"HG/1 PSI
30" -0-60	P5	10"HG/10 PSI	1"HG/1 PSI
30" -0-100	P6	30"HG/20 PSI	5"HG/2 PSI
30" -0-150	P7	30"HG/20 PSI	5"HG/2 PSI
30" -0-300	P8	30"HG/50 PSI	0"HG/10 PSI
0-15 PSI	PA	2 PSI	0.1 PSI
0-30 PSI	PB	5 PSI	1 PSI
0-60 PSI	PC	10 PSI	1 PSI
0-100 PSI	PD	10 PSI	1 PSI
0-160 PSI	PE	20 PSI	2 PSI
0-200 PSI	PF	20 PSI	2 PSI
0-300 PSI	PG	50 PSI	5 PSI
0-400 PSI	PH	50 PSI	5 PSI
0-600 PSI	PI	50 PSI	10 PSI
0-600 PSI	PI	50 PSI	10 PSI
0-1000 PSI	PK	100 PSI	10 PSI



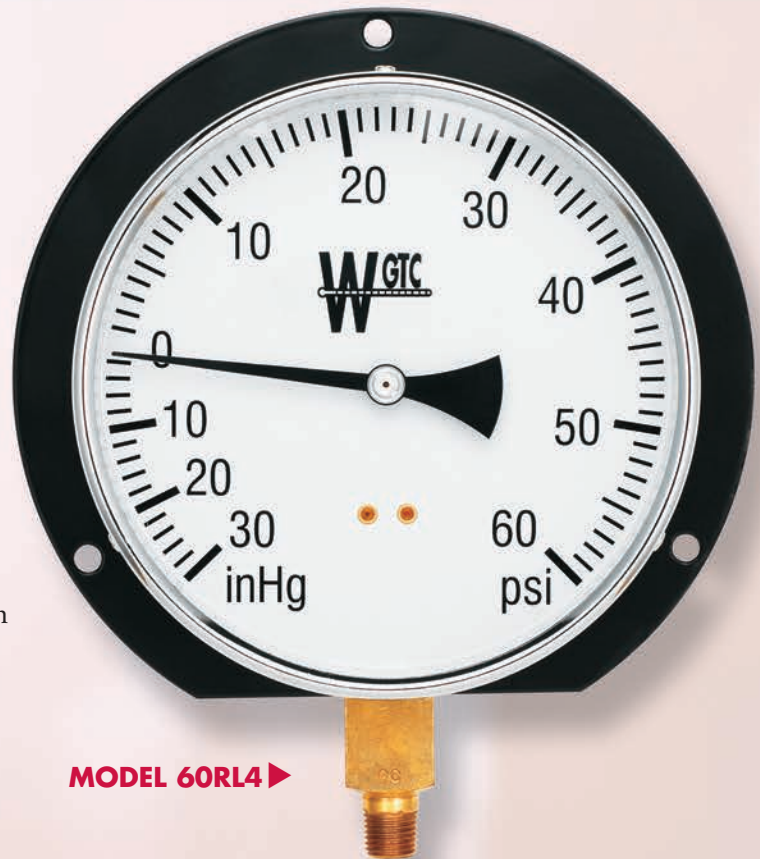
HOW TO ORDER - PLEASE SPECIFY THE FOLLOWING:

MODEL #	RANGE
45RL4	2 digit code from table

6" GENERAL SERVICE GAUGE BRASS BOURDON TUBE AND SOCKET MODEL 60RL4

STANDARD FEATURES

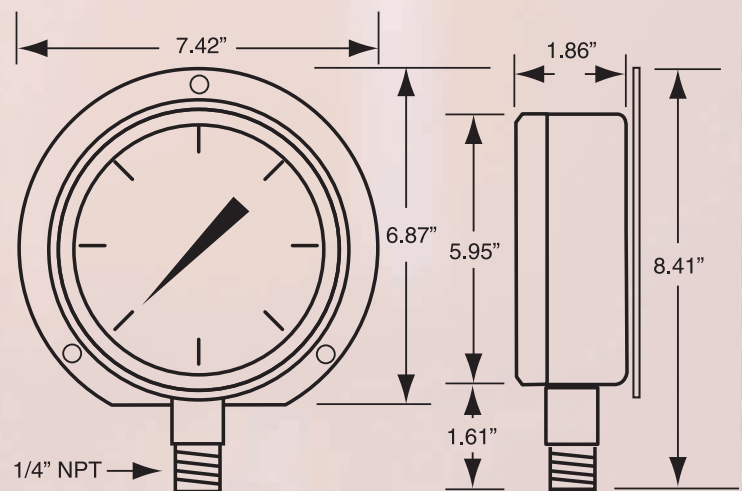
- 6" dial size
- Brass bourdon tube and socket
- Brass movement
- Heavy duty black steel case with back flange
- 1% full scale accuracy per ASME B40.1 Grade 1A
- 1/4" NPT bottom connection
- Plastic lens
- White scale with black graduations and numerals
- Suitable for water, air, oil, gas or any medium not corrosive to copper alloys
- Siphon required for steam applications



MODEL 60RL4 ▶

PRESSURE/VACUUM RANGES

RANGE	CODE	MAJOR INC.	MINOR INC.
30"/0 VAC	P2	5" HG	2" HG
30" -0-30	P4	10" HG/5 PSI	1" HG/1 PSI
30" -0-60	P5	10" HG/10 PSI	2" HG/1 PSI
30" -0-100	P6	10" HG/10 PSI	2" HG/1 PSI
30" -0-150	P7	10" HG/25 PSI	2" HG/2.5 PSI
0-15 PSI	PA	2 PSI	0.1 PSI
0-30 PSI	PB	5 PSI	1 PSI
0-60 PSI	PC	10 PSI	1 PSI
0-100 PSI	PD	10 PSI	1 PSI
0-160 PSI	PE	20 PSI	2 PSI
0-200 PSI	PF	20 PSI	2 PSI
0-300 PSI	PG	50 PSI	5 PSI
0-600 PSI	PI	100 PSI	10 PSI



HOW TO ORDER - PLEASE SPECIFY THE FOLLOWING:

MODEL #	RANGE
60RL4	2 digit code from table

8.5" GENERAL SERVICE GAUGE BRASS BOURDON TUBE AND SOCKET MODEL 85RL4

STANDARD FEATURES

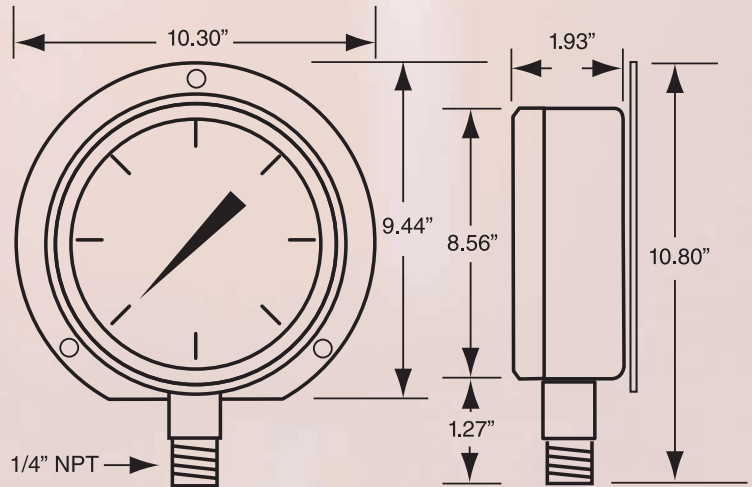
- 8.5" dial size
- Brass bourdon tube and socket
- Brass movement
- Heavy duty black steel case with back flange
- 1% full scale accuracy per ASME B40.1 Grade 1A
- 1/4" NPT bottom connection
- Glass lens
- White scale with black graduations and numerals
- Suitable for water, air, oil, gas or any medium not corrosive to copper alloys
- Siphon required for steam applications



MODEL 85RL4 ▶

PRESSURE/VACUUM RANGES

RANGE	CODE	MAJOR INC.	MINOR INC.
30" /0 VAC	P2	5" HG	2" HG
30" -0-30	P4	10" HG/5 PSI	1" HG/1 PSI
30" -0-60	P5	10" HG/10 PSI	2" HG/1 PSI
0-15 PSI	PA	2 PSI	0.1 PSI
0-30 PSI	PB	5 PSI	0.5 PSI
0-60 PSI	PC	10 PSI	1 PSI
0-100 PSI	PD	10 PSI	1 PSI
0-160 PSI	PE	20 PSI	2 PSI
0-200 PSI	PF	20 PSI	2 PSI
0-300 PSI	PG	50 PSI	5 PSI
0-600 PSI	PI	100 PSI	10 PSI

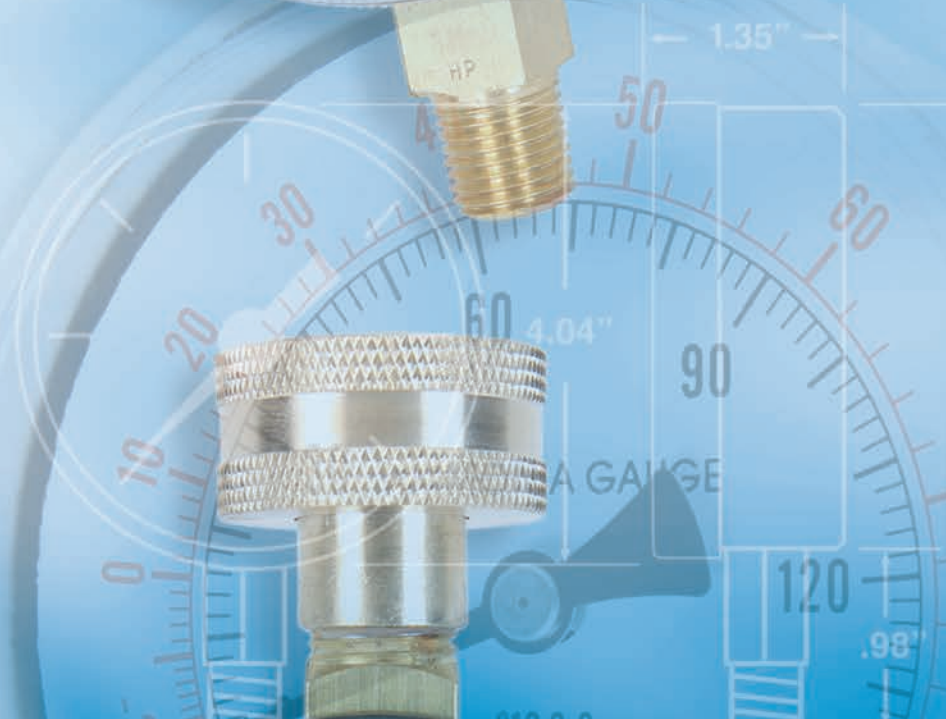


HOW TO ORDER - PLEASE SPECIFY THE FOLLOWING:

MODEL #	RANGE
85RL4	2 digit code from table



specialty gauges



2" GAS TEST GAUGES COPPER ALLOY BOURBON TUBE AND SOCKET MODEL 20GTH & MODEL 20GTV

Utility gas test gauge with horizontal or vertical housing.
For pressure tests of residential and commercial piping systems.

STANDARD FEATURES

- 2" dial size
- Copper Alloy Bourbon tube and socket
- Black steel case
- 1/2", 3/4" or 1" FNPT connections
- Plastic, snap-in lens
- Accuracy: 3/2/3% per ASME B40.1 Grade B
- White scale with black graduations and numerals
- Horizontal or vertical housing

MODEL 20GTH ▶



MODEL 20GTV ▶



STANDARD RANGE

RANGE	CODE	FIGURES	GRADUATIONS
0/15 PSI	PA	1 PSI	0.1 PSI
0/30 PSI	PB	5 PSI	0.25 PSI
0/60 PSI	PC	10 PSI	1 PSI
0/100 PSI	PD	20 PSI	1 PSI
0/160 PSI	PE	20 PSI	1 PSI
0/200 PSI	PF	20 PSI	5 PSI

HOW TO ORDER - PLEASE SPECIFY THE FOLLOWING:

MODEL #	CONNECTION SIZE	RANGE
20GTV (vertical) 20GTH (horizontal)	2 = 1/2" NPT • 5 = 3/4" NPT 1 = 1" NPT	2 digit code from tables

2.5" WATER TEST GAUGES COPPER ALLOY BOURBON TUBE AND SOCKET MODEL 25TPHOSE & 25TPHOSE-MAX

Utility water test gauge with or without maximum indicating pointer.
For pressure tests of residential and commercial water lines.

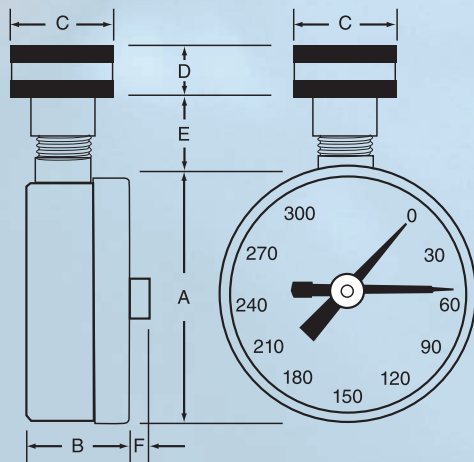
STANDARD FEATURES

- 2.5" dial size
- Copper Alloy Bourbon tube and swivel connection
- Black plastic case
- 3/4" swivel connection, top mount
- Plastic lens
- Accuracy: 3/2/3% per ASME B40.1 Grade B
- White scale with black graduations and numerals
- Range: 0/300 PSI

MODEL 25TPHOSE ▶



MODEL 25TPHOSE-MAX ▶



MODEL #	Unit	A	B	C	D	E	F
25TPHOSE	In.	2.52"	1.11"	1.18"	0.58"	0.81"	
	mm	64	28	30	15	21	N/A
25TPHOSE-MAX	In.	2.52"	1.11"	1.18"	0.58"	0.81"	0.20"
	mm	64	28	30	15	21	5

STANDARD RANGE

RANGE	CODE	FIGURES	GRADUATIONS
0/300 PSI	PG	30 PSI	3 PSI

HOW TO ORDER - PLEASE SPECIFY THE FOLLOWING:

MODEL #	RANGE	OPTIONS
25TPHOSE	PG	MAX = Maximum Indicating Pointer

2.5" GLYCERIN FILLED AMMONIA GAUGE 316SS BOURDON TUBE AND SOCKET MODEL 254L4-AMM

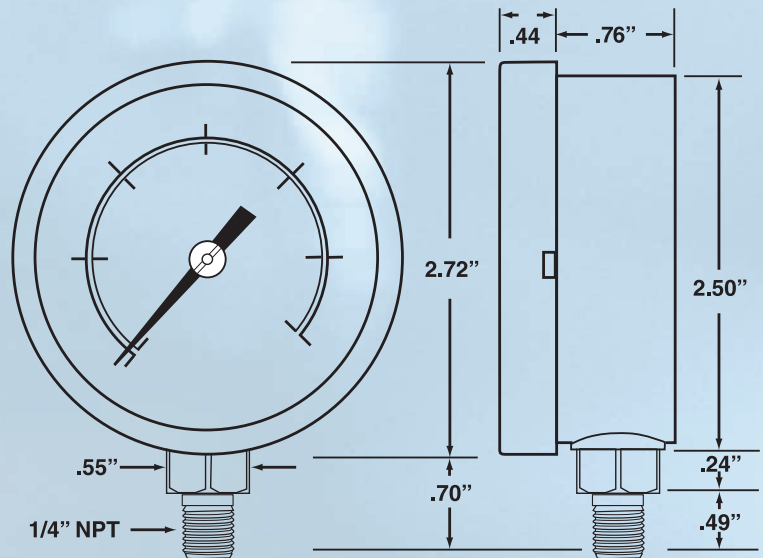
STANDARD FEATURES

- 2.5" dial size
- 316SS Bourdon tube and socket
- Glycerin filled
- Corrosion resistant stainless steel case and bezel
- 1/4" NPT, bottom connection
- Polycarbonate lens
- Accuracy: 2/1/2% per ASME B40.1 Grade A
- White scale with black graduations and numerals
Ammonia temperature in red



MODEL 254L4-AMM ▶

64



STANDARD RANGE

RANGE	CODE
30"/0/150 PSI & -60/0/84°F	P7AMM
30"/0/300 PSI & -60/0/120°F	P8AMM

HOW TO ORDER - PLEASE SPECIFY THE FOLLOWING:

MODEL #	RANGE
254L4	5 digit code from table

3.5" SPRINKLER GAUGE COPPER ALLOY BOURBON TUBE AND SOCKET MODEL 35TL4PG-UL

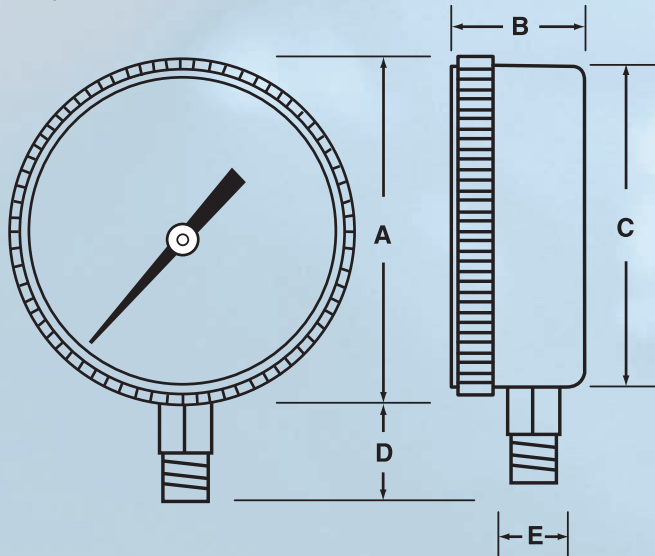
UL listed/FM approved gauge designed for use on fire protection/sprinkler systems.

STANDARD FEATURES

- 3.5" dial size
- Copper Alloy Bourbon tube and socket
- Black plastic case
- 1/4" NPT, bottom connection
- Plastic twist-on lens
- Accuracy: 3/2/3% per ASME B40.1 Grade B
- White scale with black graduations and numerals
- Range: 0/300 PSI



MODEL 35TL4PG-UL



Dial	Unit	A	B	C	D	E
3 1/2"	In.	3.85"	1.19"	3.71"	1.08"	1/4" NPT
	mm	97.8	30.2	94	28	

STANDARD RANGE

RANGE	CODE	FIGURES	GRADUATIONS
0/300 PSI	PG	25 PSI	5 PSI

HOW TO ORDER - PLEASE SPECIFY THE FOLLOWING:

MODEL #	RANGE	UL LISTED
35TL4	PG	UL

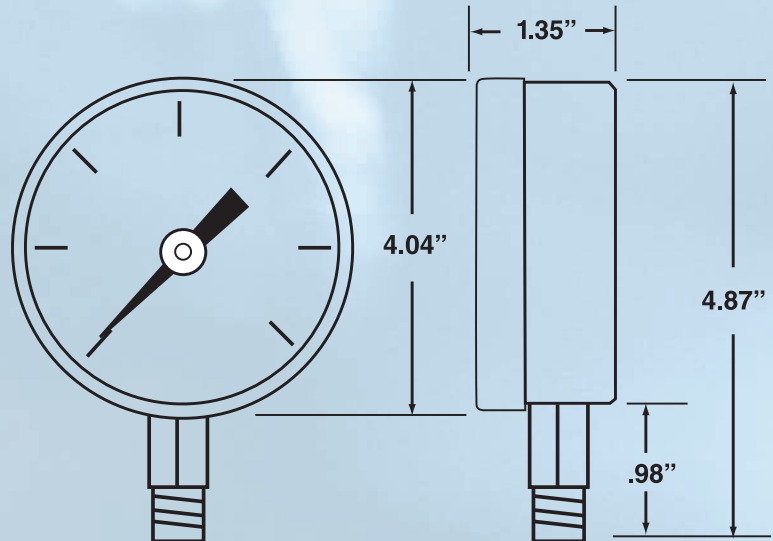
4" AMMONIA GAUGE SS BOURDON TUBE AND STEEL SOCKET MODEL 40TL4-AMM

STANDARD FEATURES

- 4" dial size
- SS Bourdon tube and steel socket
- Chrome plated steel case
- 1/4" NPT, bottom connection
- Plastic, twist-off lens
- Accuracy: 3/2/3% per ASME B40.1 Grade B
- White scale with black graduations and numerals
Ammonia temperature in red



MODEL 40TL4-AMM ▶



STANDARD RANGE

RANGE	CODE
30"/0/150 PSI & -100/0/80°F	P7AMM
30"/0/300 PSI & -100/0/120°F	P8AMM

HOW TO ORDER - PLEASE SPECIFY THE FOLLOWING:

MODEL #	RANGE
40TL4	5 digit code from table

DIAPHRAGM SEALS MODEL DW-T & DW-TF

Continuous Duty Welded Diaphragm

Diaphragm seals are used to prevent the process fluid from entering the instrument.

FEATURES:

- The Diaphragm on the DW-T and DW-TF model is welded to the top housing of the diaphragm seal to allow for removal of the gauge and diaphragm assembly without loss of fill fluid.
- Top housing steel or 316 stainless steel
- 316 stainless steel diaphragm*
- 1/4" NPT or 1/2" NPT female gauge connection
- Bottom housing steel or 316 stainless steel is standard
- Bottom housing thread size 1/4" thru 1" NPT**
- Available with 1/4" NPT flushing connection (Model DW-TF)
- Pressure rated to 2500 PSI

* Other diaphragm materials available.

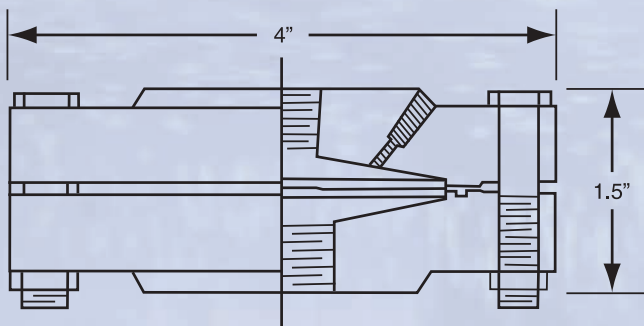
** Other process connection sizes available.

Contact factory for additional information.

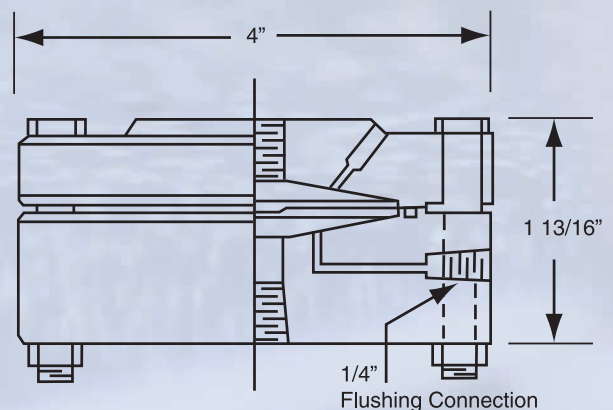


MODEL DW-T ▶

MODEL DW-T



MODEL DW-TF (with flushing connection)



HOW TO ORDER - PLEASE SPECIFY THE FOLLOWING:

MODEL #	GAUGE CONNECTION	PROCESS CONNECTION	TOP HOUSING MATERIAL	DIAPHRAGM MATERIAL	BOTTOM HOUSING MAT.	FILL FLUID
DW-T	4 = 1/4" NPT	1 = 1/4" NPT 3 = 3/4" NPT	3 = STEEL	4 = 316 ST. ST.	3 = STEEL	G = GLYCERIN
DW-TF	2 = 1/2" NPT	2 = 1/2" NPT 4 = 1" NPT	4 = 316 ST. ST.		4 = 316 ST. ST.	O = INST. OIL S = SILICONE

DIAPHRAGM SEALS MODEL DM-35 & DM-45

Mini Seal All Welded Design

(Model DM-35 for 1 1/2" to 4" dials and Model DM-45 for up to 4 1/2" dials.)

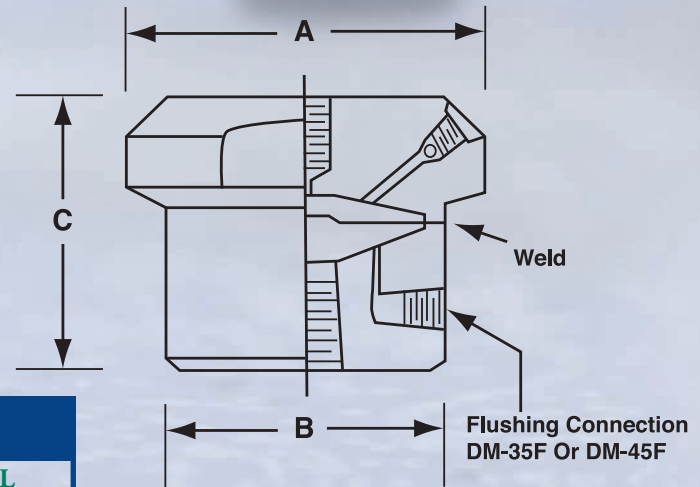
Diaphragm seals are used to prevent the process fluid from entering the instrument.

FEATURES:

- The Diaphragm on the DM-35 and DM-45 is welded to the upper and lower housing providing 1 piece design.
- All 316 stainless steel construction
- 1/4" NPT or 1/2" NPT gauge connection
- 1/4" NPT or 1/2" NPT process connection
- Available with 1/4" NPT flushing connection. (DM-35F & DM-45F)
- Pressure rated to 1000 PSI



◀ **MODEL DM-45**



HOW TO ORDER - PLEASE SPECIFY THE FOLLOWING: FOR GAUGES WITH DIALS 1 1/2" TO 4"

MODEL #	GAUGE CONNECTION	PROCESS CONNECTION	FILL FLUID
DM-35	4 = 1/4" NPT	4 = 1/4" NPT	G = GLYCERIN
DM-35F	2 = 1/2" NPT	2 = 1/2" NPT	O = INST. OIL
			S = SILICONE

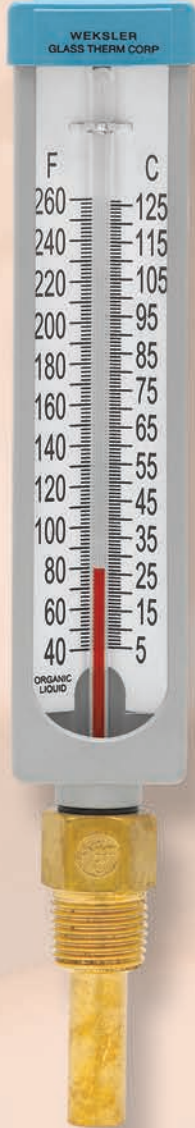
HOW TO ORDER - PLEASE SPECIFY THE FOLLOWING: FOR GAUGES WITH DIALS 4 1/2"

MODEL #	GAUGE CONNECTION	PROCESS CONNECTION	FILL FLUID
DM-45	4 = 1/4" NPT	4 = 1/4" NPT	G = GLYCERIN
DM-45F	2 = 1/2" NPT	2 = 1/2" NPT	O = INST. OIL
			S = SILICONE

MODEL NO.	DIMENSIONS		
	A	B	C
DM-35	1.75"	1.50"	1.50"
DM-35F	1.75"	1.50"	1.75"
DM-45	2.50"	1.88"	1.50"
DM-45F	2.50"	1.88"	1.75"

LEAD FREE PRODUCTS FOR POTABLE WATER APPLICATIONS

Meets the lead free requirements of the U.S. Safe Drinking Water Act (SDWA)
(less than 0.25% lead in wetted parts)



SUPER ECONOMY THERMOMETERS

(see pages 8 & 9 for more details)

- ◀ **MODEL #152FC-PBF - Straight Form**
- MODEL #153FC-PBF - Back Angle**



BRASS THERMOWELLS FOR ADJUST ANGLE THERMOMETERS (3.5" STEM)

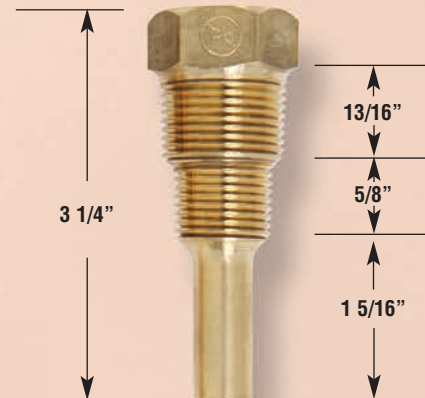
Fits Model #AS5H (page 1) and Model #AADHFC (page 4) See page 5 for more details

- MODEL #T1E3D2-PBF**
- MODEL #T1E3D2B-PBF - Lagging extension**

BRASS THERMOWELL FOR SUBMARINE THERMOMETERS (2" STEM)

Fits Model #140G (page 6) and Model #141G (page 7)

MODEL #W3B3-PBF



Lead-free marks **(Pb)** or **(PBF)** are printed on the gauge dial or stamped on brass items.

LEAD FREE PRODUCTS FOR POTABLE WATER APPLICATIONS

Meets the lead free requirements of the U.S. Safe Drinking Water Act (SDWA)
(less than 0.25% lead in wetted parts)



2.5" DIAL UTILITY GAUGE, 1/4" NPT BOTTOM

(see page 30 for more details)

- MODEL # 25TL4P2W-PBF - Range: 30"/0 VAC
- MODEL # 25TL4P4W-PBF - Range: 30"/0/30 PSI
- MODEL # 25TL4P5W-PBF - Range: 30"/0/60 PSI
- MODEL # 25TL4PAW-PBF - Range: 0/15 PSI
- MODEL # 25TL4PBW-PBF - Range: 0/30 PSI
- MODEL # 25TL4PCW-PBF - Range: 0/60 PSI
- MODEL # 25TL4PDW-PBF - Range: 0/100 PSI
- MODEL # 25TL4PEW-PBF - Range: 0/160 PSI
- MODEL # 25TL4PFW-PBF - Range: 0/200 PSI
- MODEL # 25TL4PGW-PBF - Range: 0/300 PSI
- MODEL # 25TL4PHW-PBF - Range: 0/400 PSI



4.5" DIAL CONTRACTOR GAUGE,

1/4" NPT BOTTOM (see page 25 for more details)

- MODEL # EA14A-PBF, Range: 0/30 PSI
- MODEL # EA14B-PBF, Range: 0/60 PSI
- MODEL # EA14C-PBF, Range: 0/100 PSI
- MODEL # EA14D-PBF, Range: 0/160 PSI
- MODEL # EA14E-PBF, Range: 0/200 PSI
- MODEL # EA14F-PBF, Range: 0/300 PSI



BRASS THERMOWELLS FOR BIMETAL THERMOMETERS (2.5", 4", & 6" STEMS)

(Fits Bimetal thermometers on pages 12-19)

(see pages 20 for more details)



- MODEL # 2LS213-PBF, 2.5" stem
- MODEL # 2SS413-PBF, 4" stem
- MODEL # 2SL413-PBF, 4" stem, Lagging extension
- MODEL # 2SS613-PBF, 6" stem
- MODEL # 2SL613-PBF, 6" stem, Lagging extension



BRASS NEEDLE VALVE (1/4" FNPT X 1/4" FNPT)

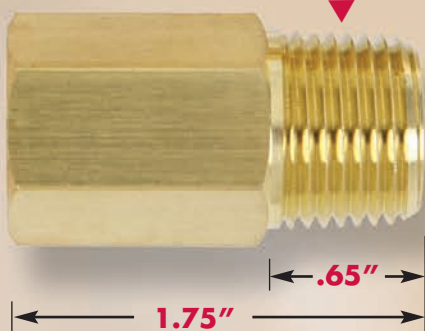
(see page 72 for more details)

MODEL # BBV4-PBF

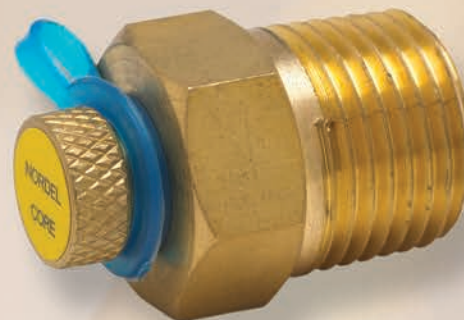
Lead-free marks  or  are printed on the gauge dial or stamped on brass items.

PRESSURE / TEMPERATURE PLUGS MODEL PT25NOR & PT50NOR MODEL PT25EXT1.75 & PT50EXT1.75

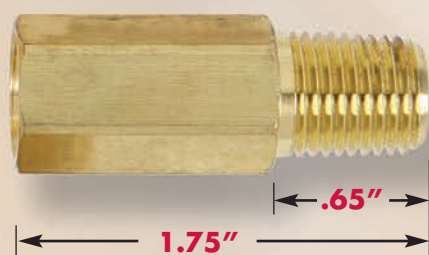
MODEL PT50EXT1.75
(1/2" NPT)



MODEL PT50NOR
(1/2" NPT)



MODEL PT25EXT1.75
(1/4" NPT)



MODEL PT25NOR
(1/4" NPT)

STANDARD FEATURES

- P/T plug extensions for use with P/T plugs on insulated pipe
- Brass, 1.75" overall length

STANDARD FEATURES

- Brass body
- Nordel® Core (dual core design)
- Plastic cap retainer
- Maximum pressure 1,000 PSI
- Operational temperature range 45°F to 275°F



PRESSURE/TEMPERATURE KITS

- (1) PT Case - Heavy duty plastic with foam insert
- (2) 2 1/2" Pressure gauges - Catalog No. 25TL
- (2) 1" Pocket thermometer - Catalog No. 1BK05
- (1) Gauge adapter - Catalog No. PT Gauge Adapter

TEE HANDLE COCK



◀ **MODEL A10**

In polished brass (suitable for pressure to 125 PSI hydraulic) Specify Type **A10** 1/4" NPT female connections. **A11** 1/4" NPT male x female

HEAVY DUTY TEE HANDLE



◀ **MODEL A10E**

In polished brass for pressures to 200 PSI hydraulic, 1/4" NPT female connections with hex shoulders.

LEVER HANDLE COCK



◀ **MODEL A12**

1/4" NPT female connections. In polished brass suitable for pressure to 200 PSI hydraulic. Specify Type **A12**.

SIPHON



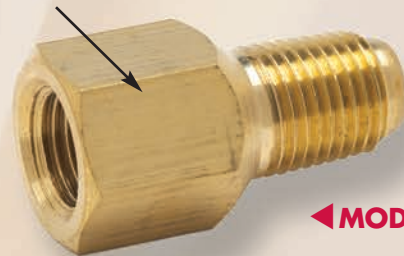
◀ **MODEL AO31**

Schedule 40 Steel (for max. 500 PSI and 400°F) Specify Type **AO3I**. 1/4" NPT. Brass (for max. 250 PSI and 400°F specify type **AO3B**).

SNUBBER-FILTER TYPE

3/4" Hexagon, 1/4" NPT

Porous Stainless Steel Filter Disc



◀ **MODEL WG41**
WG42

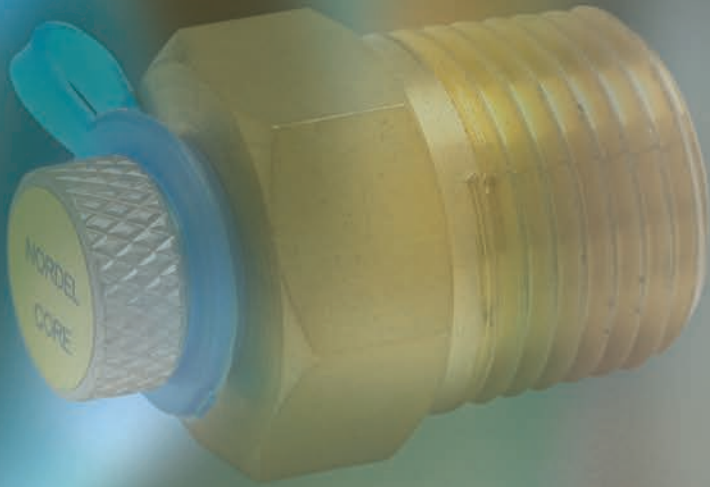
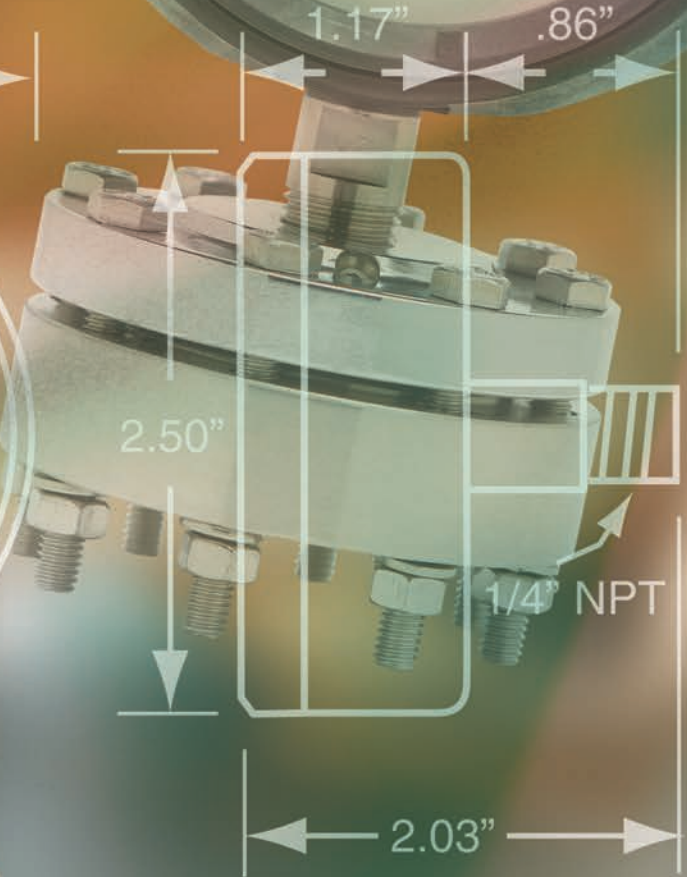
Brass with 1/8" thick micro-metallic stainless steel filter (max pressure 1500 PSI) Available 1/4" NPT only. Specify **WG41** for air. Specify **WG42** for water or light oil. **WS41/WS42** Stainless steel body instead of brass.

BAR STOCK NEEDLE



◀ **MODEL BBV4**

Brass, 1/4" NPT female connections only. Suitable for 600 PSI at 300° F maximum; for water, oil or gas service. **SSV4** 316SS body rated to 5,000 PSI.





WGTC WEKSLER GLASS THERMOMETER CORP.

556 Dettor Road • Suite 102
Charlottesville, Virginia 22903

Telephone: 877.988.8003
Fax: 866.982.9882

e-mail: sales@wekslerglass.com
website: www.wekslerglass.com

International Telephone: 434.977.4544
International Fax: 434.977.4548

