



PRESSURE & TEMPERATURE INSTRUMENTS

www.picgauges.com

TABLE OF CONTENTS



Table of Contents	1-2
Pressure Gauge Selection	3
Part Numbering System	4

SECTION ONE: COMMERCIAL UTILITY & ECONOMY GAUGES

100 Series Dry Utility Gauges	5
101D Lower Mount	6
102D Center Back Mount	7
103D U-Clamp Panel Mount	8
104D Front Flange Panel Mount	9
SE-100 Series Dry Utility Gauges	10
SE-101D Lower Mount	11
SE-102D Center Back Mount	12
SEP-100 Series Plastic Utility Gauges	13
SEP-101D Plastic Lower Mount	14
SEP-102D Plastic Center Back Mount	15

SECTION TWO: STAINLESS STEEL CASE, COPPER ALLOY INTERNALS, GLYCERINE FILLED

200 Series Glycerine Filled Gauges	16
201L Lower Mount	17
202L Center Back Mount	18
203L U-Clamp Panel Mount	19
203D Fillable U-Clamp Panel Mount	20
204L Front Flange Panel Mount	21
210 Series Fillable Gauges	22
211D Dry but Fillable Lower Mount	23
212D Dry but Fillable Center Back Mount	24
213D U-Clamp Panel Mount	25
214D Front Flange Panel Mount	26
PRO-200 Series Glycerine Filled	27
PRO-201L Lower Mount	28
PRO-202L Center Back Mount	29
PRO-203L U-Clamp Panel Mount	30
PRO-204L Front Flange Panel Mount	31

SECTION THREE: ALL STAINLESS STEEL, GLYCERINE FILLED

300 Series All Stainless Steel Gauges	32
301LFW Lower Mount	33
302LFW Center Back Mount	34
303LFW U-Clamp Panel Mount	35
304LFW Front Flange Panel Mount	36
301L 4" Lower Mount	37
310 Series All Stainless Steel Gauges	38
311D Dry but Fillable Lower Mount	39
312D Dry but Fillable Lower Back Mount	40
313D Clamp-Ring Panel Mount	41
314D Front Flange Panel Mount	42
S301L Single Scale Lower Mount	43
SEC-300 Series All Stainless Steel Gauges	44
SEC-301LFW Lower Mount	45
SEC-302LFW Center Back Mount	46
SEC-303LFW U-Clamp Panel Mount	47
SEC-304LFW Front Flange Panel Mount	48

SECTION FOUR: HEAVY DUTY/PROCESS GAUGES, STAINLESS STEEL INTERNALS

Heavy Duty/Process Gauge Part Numbering	49
4001 4" Heavy Duty All Stainless Steel	50
4001 4" 9/16" High Pressure Connection	51
6000 Series Heavy Duty Gauges	52
6001 6" All Stainless Steel Lower Mount	53
6002 6" All Stainless Lower Back Mount	54
6004 6" All Stainless LBM with Front Flange	55
6009 6" All Stainless LBM with Back Flange	56
4500 Series Process Gauges	57
4504, 6504 4 1/2" or 6" Panel Mount	58
4501-SC Stainless Steel Case Process Gauges	59
4001-PT Heavy Duty Gauge & Transmitter	60

SECTION FIVE: INDUSTRIAL AND SPECIAL APPLICATION

601L Cast Copper alloy Glycerine Filled Lower Mount	61
701L Plastic Case Glycerine Filled Lower Mount	62
CONTRACTOR Series	63
115D 4 1/2", 6", 8 1/2" Industrial Gauge	64
LP Series Part Numbering System	65
LP Series Low Pressure Gauge	66
LP1 Lower Mount	67
LP2 Center Back Mount	68
LP3 U-Clamp Panel Mount	69
LP4 Front Flange Panel Mount	70
Low Pressure Test Kit	71
LP-SB/SS Series Low Pressure Gauge	72
LP1-SB Stainless Case Lower Mount	73
LP2-SB Stainless Case Center Back Mount	74
LP3-SB Stainless Case U-Clamp Panel Mount	75
LP4-SB Stainless Case Front Flange Panel Mount	76
LP1-SS All Stainless Lower Mount	77
LP2-SS All Stainless Center Back Mount	78
LP3-SS All Stainless U-Clamp Panel Mount	79
LP4-SS All Stainless Front Flange Panel Mount	80
LP1-PS Low Pressure Phenolic Case	81
DPG Series Digital Pressure Gauge	82
BULK-HD 4 1/2" Truck Mount Gauge	83
S215L Back Flange Wall Mount	84
500-UNO Welding/Cryogenic Service Gauge	85
501D-UNO Lower Mount	86
502D-UNO Center Back Mount	87
ALTITUDE Feet of Water Gauge	88
Ammonia Refrigeration Gauge Overview	89
401NH3 Series	90
Ammonia-LF Series	91
Ammonia-604 Gauge	92
Ammonia-804 Gauge	93
Additional Ammonia Gauges	94
Agricultural Ammonia Gauge	95
Rectangle (Edge) Gauge	96



TABLE OF CONTENTS CONTINUED

SECTION FIVE: INDUSTRIAL AND SPECIAL APPLICATION CONTINUED

GT Series Gas Test Gauges	97-98
HOSE Test Gauge	99
509L Long Wall Mining Gauge	100
102D-108 1" Mini Gauge	101
HEX Series 1" Dial High Pressure Gauge	102
SAE-201L Glycerine Filled with SAE Hydraulic Connection	103
Spiral Tube Gauge	104
SPRINKLER Fire Protection Gauge	105
40mm Positioner Gauges	106
Anti-Vibration Movement	107
1" Regulator Gauge	108
Filter Gauge	109

SECTION SIX: ACCESSORIES

Mini Ball Valves & Copper alloy Needle Valves	110
Gauge Cocks	111
Syphons	112
Test Port Plugs	113
Filter Type Pressure Snubber	114
Adjustable Pressure Snubber	115
Piston Type Pressure Snubber	116
Cooling Tower	117
Pressure Limiting Valve	118
Rubber Gauge Cover	119
Max/Min Pointer	120
Front & Back Flanges	121

SECTION SEVEN: NEEDLE VALVES

Needle Valve Descriptions & Part Numbering System	122
NVS "Super Mini" Needle Valve	124
NV-1/4 Mini Needle Valve	125
NV/NVL Full Size Needle Valve	126
NV-90 Angle	127
HV Hex Body - Soft Seat Needle Valve	128
HV Hex Body - Hard Seat Needle Valve	129
BV Block & Bleed Valve	130
GV Multi-Port Gauge Valve	131

SECTION EIGHT: DIAPHRAGM SEALS

Diaphragm Seal Descriptions & Part Numbers	132
M3500 Mini Diaphragm Seals	135
M4500 Mini Diaphragm Seals	136
MHP Mini High Pressure Diaphragm Seals	137
MLP Mini Low Pressure Diaphragm Seals	138
Threaded Diaphragm Seal Part Numbers	139
Threaded Diaphragm Seal Specifications	140

SECTION EIGHT: DIAPHRAGM SEALS CONTINUED

Threaded High Pressure Diaphragm Seal	141
Threaded Low Pressure Diaphragm Seal	142
Flanged Diaphragm Seal Part Numbers	143
Flanged Diaphragm Seal Specifications	144
DS-M3A Sanitary Diaphragm Seals	145
DS-LPVC Diaphragm Seal	146
701DDS Molded Gauge & Seal Part Numbers	147
701DDS Molded Gauge & Seal Specifications	148
Diaphragm Seal Fill Fluid Specifications	149

SECTION NINE: THERMOMETERS AND THERMOWELLS

Thermometer Overview	150
Bimetal Thermometer Part Numbering System	152
Bimetal Thermometer Back Angle Type	153
Bimetal Thermometer Adjustable Angle Type	154
Miscellaneous Bimetal Thermometers	155
Thermowell Overview	158
Standard Thermowell Part Numbers	159
Lagging Extension Thermowell Part Numbers	160
Thermowell Part Numbering System	161
Thermowell Technical Information	162
Remote Dial & Gas Actuated Thermometer	163
Tridicators for OEM, Industrial, or Custom Applications	164
2 1/2" Tridicators	165
3" Tridicators	166
Industrial Tridicator	167
Heavy Duty Tridicator	168
AS5 Series Scale Industrial Thermometer Including Thermowell	169
Solar Digital Thermometer	170
160 Series 5" Scale Thermometer	171

SECTION TEN: GENERAL INFORMATION

Pressure Range Selection	172
Liquid Filling	173
Venting Sealed Gauges	174
Testing & Certification of Pressure Gauges	175
Limited Warranty>Returns Information	176
Pressure Conversion Chart	177
Temperature Conversion Chart	178
New Products & Custom Solutions	179

PRESSURE GAUGE SELECTION



Considerations when selecting pressure gauges

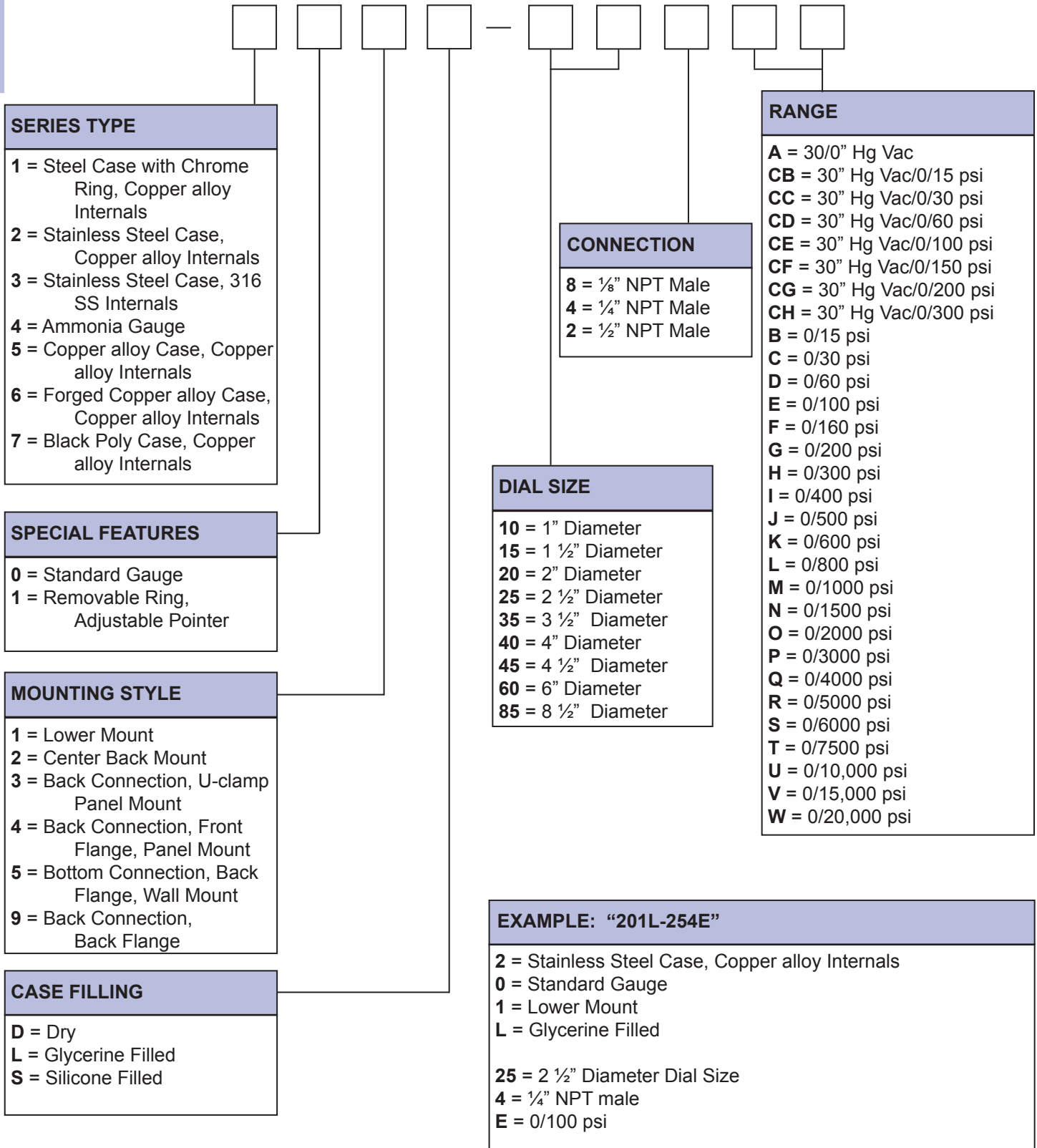
DIAL SIZE	Standard available dial sizes: 1", 1 1/2", 2", 2 1/2", 3 1/2", 4", 4 1/2", 6", or 8 1/2". Other dial sizes are available. Determine dial size by measuring across the diameter of the face.
CONNECTION LOCATION	Lower mount is the most common. Center back mount or lower back mount is also considered standard. Other locations can be supplied by special request.
CONNECTION SIZE	Typical sizes include 1/8", 1/4" and 1/2" NPT. Other sizes and types of connections are available upon request. Please call to verify if there are special requirements.
MOUNTING	Lower mount or back mount (without special mounting hardware). Panel mount - U-clamp. Panel mount - Front flange. Wall mount - Back flange.
MATERIAL OF WETTED PARTS	Refers to all parts in contact with process fluid. Please check corrosion guides for suitable materials. Most applications are compatible with copper alloy or bronze tube and socket. More severe applications may require 316 stainless steel. Most severe applications require Monel parts. If none of these materials are adequate for the application, a diaphragm seal will be required.
DRY OR LIQUID FILLED	Dry gauges are suitable for most applications. Glycerine filled gauges will be specified for applications with pulsation or vibration or for other reasons based on customer preference. Silicone filling may be required where process conditions do not allow the use of glycerin filling, such as temperature extremes or concerns regarding interaction with the process media. Other fluids are available, please call for assistance.
CASE MATERIAL	Industry standard case materials for gauges include: black painted steel, chrome plated steel, aluminum, stainless steel, Phenolic and polypropylene.
RANGE	Specified in psi for pressures from 0 up to 15,000 psi or in inches of mercury vacuum for 0 to 30" Hg vacuum. Compound ranges have both pressure and vacuum. Other available scales: Metric (BAR, kPa, kg/cm2, mPa), Low pressure (inches of water column or millibar), Altitude (feet of water or meters of water), Force (tons on ram) and many others.
ACCURACY	Typically will be determined by size and type of gauge specified above. Accuracy grades are specified by ASME standards.
CERTIFICATION AND CLEANING	Conformance Certificate - States that gauge meets catalog and/or order specifications. Certificate of Accuracy - Gauge is tested up scale and down scale with accuracy and percentage of error noted. Traceable to NIST. Special Certification/Material Certification - By customer request, particular aspect of gauge certified to meet customer requirement. Oxygen Cleaning - Gauge cleaned and bagged, suitable for oxygen service. Special Cleaning - By customer request, cleaned to a particular cleanliness level required by customer.
OTHER	Any other special process conditions to be aware of or any special requirements the customer may have, such as approvals for 3A, NACE, UL or others.

NOTE: While this is a good model to follow, it does not guarantee that the gauge will meet all requirements. Please contact your PIC Gauges representative with any questions.
1-888-650-6923 / www.picgauges.com



PART NUMBERING SYSTEM

1

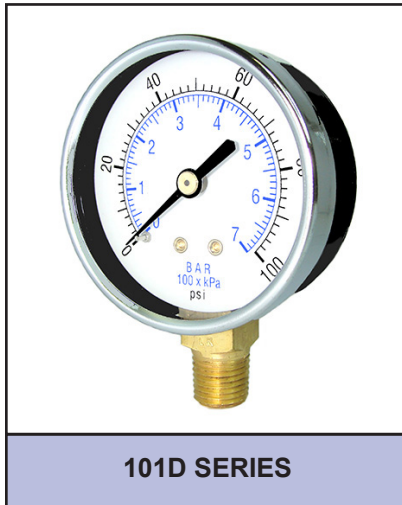


NOTE: Not all part numbers or options are available from stock. Consult PIC Gauges for availability.

100 SERIES UTILITY GAUGE



Utility gauge for commercial and industrial markets
Steel case, chrome bezel, copper alloy internals



101D SERIES



102D SERIES



103D SERIES



104D SERIES

STANDARD DIAL CONFIGURATIONS FOR 100 SERIES

Dial Range	Figure Intervals	Graduation Intervals	Dial Range	Figure Intervals	Graduation Intervals	Dial Range	Figure Intervals	Graduation Intervals
30/0"hg Vac	5" hg	0.5" hg	0/30 psi	5 psi	0.5 psi	0/1000 psi	200 psi	10 psi
30/0/15 psi	10" hg/5 psi	1" hg/0.5 psi	0/60 psi	10 psi	1 psi	0/1500 psi	200 psi	20 psi
30/0/30 psi	10" hg/10psi	1" hg/1 psi	0/100 psi	20 psi	2 psi	0/2000 psi	400 psi	50 psi
30/0/60 psi	10" hg/10psi	2" hg/1 psi	0/160 psi	20 psi	2 psi	0/3000 psi	500 psi	50 psi
30/0/100 psi	30" hg/20psi	5" hg/2 psi	0/200 psi	40 psi	5 psi	0/4000 psi	800 psi	100 psi
30/0/150 psi	30" hg/20psi	5" hg/2 psi	0/300 psi	50 psi	5 psi	0/5000 psi	1000 psi	100 psi
30/0/300 psi	30" hg/50psi	10" hg/5 psi	0/400 psi	50 psi	5 psi	0/6000 psi	1000 psi	100 psi
0/15 psi	2 psi	0.1 psi	0/600 psi	100 psi	10 psi			

NOTE: Because of continuing improvements, increments/specifications are subject to change without notice. Stock ranges vary by dial size and configuration. Consult PIC Gauges for availability.



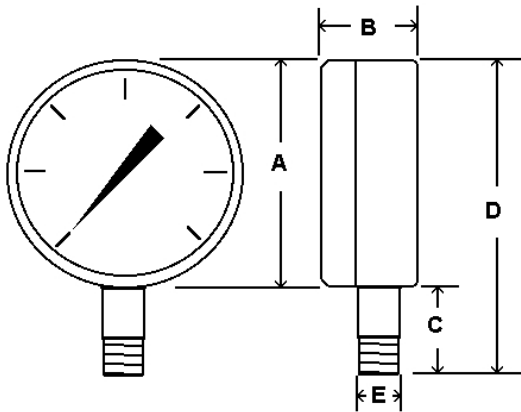
101D UTILITY GAUGE LOWER MOUNT

1 Utility gauge for commercial and industrial markets
Black steel case, chrome bezel, copper alloy internals

SPECIFICATIONS

Dial	1 ½" (40 mm), 2" (50 mm), 2 ½" (63 mm), 3 ½" (88 mm), 4 ½" (114 mm)
Case	Black steel, dry non-fillable
Wetted Parts	Copper alloy
Bezel	Chrome plated steel, fixed
Lens	Plastic (4 ½" = glass lens)
Pointer	Black aluminum
Connection	Lower mount 1 ½" dial = ⅛" NPT 2" dial = ⅛" or ¼" NPT 2 ½" dial = ¼" NPT 3 ½" dial = ¼" NPT 4 ½" dial = ¼" NPT
Scale	Standard: psi/BAR (x 100 = kPa) Single scale psi available from stock
Accuracy	3-2-3% of span, ASME B40.1 Grade B
Ambient Temp	-50° F to 160° F

Design meets or exceeds ASME B40.100 pressure gauge standard.



Dial	Unit	A	B	C	D	E
1 ½"	In.	1.64"	0.93"	0.65"	2.26"	⅛" NPT
	mm	42	24	17	57	
2"	In.	2.07"	1.06"	0.83"	2.83"	⅛" or ¼" NPT
	mm	53	27	21	72	
2 ½"	In.	2.5"	1.13"	0.88"	3.31"	¼" NPT
	mm	63	29	22	84	
3 ½"	In.	3.54"	1.12"	1.02"	4.49"	¼" NPT
	mm	90	28	26	114	
4 ½"	In.	4.79"	1.12"	1.10"	5.8"	¼" NPT
	mm	122	29	28	147	



AVAILABLE OPTIONS*

- Certificate of Accuracy, NIST traceable
- Custom Dial
- Anti-Vibration Movement, see page 107
- Glass Lens
- Stainless Steel Case
- Cleaned for Oxygen Service
- Special Connection Size
- Protective Rubber Cover, see page 119
- Max/Min Pointer, see page 120

*Lead times/minimums may apply

APPROXIMATE SHIPPING WEIGHTS/ BOX QUANTITIES

Dial Size	Est. Unit Weight	Box Qty
1 ½"	0.20 lbs (0.10 kg)	200
2"	0.26 lbs (0.12 kg)	100
2 ½"	0.34 lbs (0.15 kg)	125
3 ½"	0.50 lbs (0.23 kg)	50
4 ½"	0.60 lbs (0.27 kg)	50

102D UTILITY GAUGE CENTER BACK MOUNT

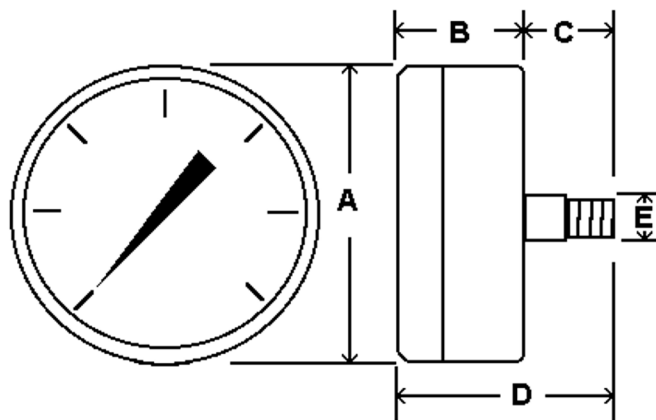


Utility gauge for commercial and industrial markets
Black steel case, chrome bezel, copper alloy internals

SPECIFICATIONS

Dial	1 ½" (40 mm), 2" (50 mm), 2 ½" (63 mm), 3 ½" (88 mm), 4 ½" (114 mm)
Case	Black steel, dry non-fillable
Wetted Parts	Copper alloy
Bezel	Chrome plated steel, fixed
Lens	Plastic
Pointer	Black aluminum
Connection	Center back mount 1 ½" dial = ⅛" NPT 2" dial = ⅛" or ¼" NPT 2 ½" dial = ¼" NPT 3 ½" dial = ¼" NPT 4 ½" dial = ¼" NPT
Scale	Standard: psi/BAR (x 100 = kPa)
Accuracy	3-2-3% of span, ASME B40.1 Grade B
Ambient Temp	-50° F to 160° F

Design meets or exceeds ASME B40.100 pressure gauge standard.



Dial	Unit	A	B	C	D	E
1 ½"	In.	1.64"	0.93"	0.63"	1.54"	⅛" NPT
	mm	42	24	16	39	
2"	In.	2.07"	1.03"	0.89"	1.90"	⅛" or ¼" NPT
	mm	53	26	23	48	
2 ½"	In.	2.5"	1.17"	0.90"	1.97"	¼" NPT
	mm	63	30	23	50	
3 ½"	In.	3.49"	1.22"	0.83"	2.02"	¼" NPT
	mm	89	31	21	51	
4 ½"	In.	4.5"	1.31"	0.94"	2.18"	¼" NPT
	mm	114	33	24	55	

AVAILABLE OPTIONS*

- Certificate of Accuracy, NIST traceable
- Custom Dial
- Anti-Vibration Movement, see page 107
- Glass Lens
- Stainless Steel Case
- Cleaned for Oxygen Service
- Special Connection Size
- Protective Rubber Cover, see page 119
- Max/Min Pointer, see page 120

*Lead times/minimums may apply

APPROXIMATE SHIPPING WEIGHTS/ BOX QUANTITIES

Dial Size	Est. Unit Weight	Box Qty
1 ½"	0.20 lbs (0.10 kg)	200
2"	0.26 lbs (0.13 kg)	100
2 ½"	0.34 lbs (0.17 kg)	125
3 ½"	0.45 lbs (0.22 kg)	50
4 ½"	0.65 lbs (0.30 kg)	25



103D UTILITY GAUGE U-CLAMP PANEL MOUNT

1 Utility gauge for commercial and industrial markets
Chrome case and bezel, copper alloy internals

SPECIFICATIONS

Dial	1 1/2" (40 mm), 2" (50 mm), 2 1/2" (63 mm), 3 1/2" (88 mm)
Case	Chrome plated steel, dry non-fillable (3 1/2" = black painted steel with plastic, twist-off lens)
Wetted Parts	Copper alloy
Bezel	Chrome plated steel, fixed
Lens	Plastic
Pointer	Black aluminum
Connection	Center back mount with u-clamp 1 1/2" dial = 1/8" NPT 2" dial = 1/8" or 1/4" NPT 2 1/2" dial = 1/4" NPT 3 1/2" dial = 1/4" NPT
Scale	Standard: psi/BAR (x 100 = kPa)
Accuracy	3-2-3% of span, ASME B40.1 Grade B
Ambient Temp	-50° F to 160° F



AVAILABLE OPTIONS*

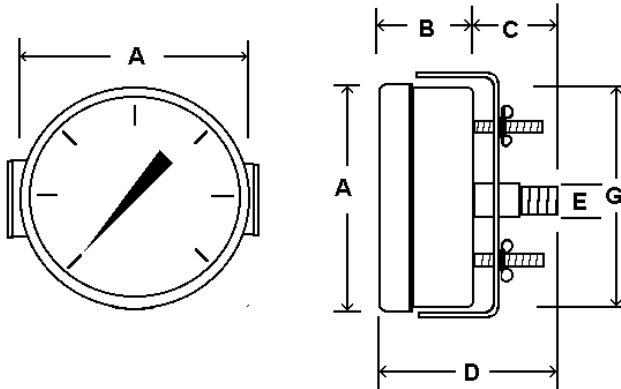
- Certificate of Accuracy, NIST traceable
- Custom Dial
- Anti-Vibration Movement, see page 107
- Glass Lens
- Stainless Steel Case
- Cleaned for Oxygen Service
- Special Connection Size
- Protective Rubber Cover, see page 119
- Max/Min Pointer, see page 120

*Lead times/minimums may apply

APPROXIMATE SHIPPING WEIGHTS/ BOX QUANTITIES

Dial Size	Est. Unit Weight	Box Qty
1 1/2"	0.20 lbs (0.10 kg)	100
2"	0.30 lbs (0.14 kg)	100
2 1/2"	0.35 lbs (0.18 kg)	100
3 1/2"	0.60 lbs (0.26 kg)	50

Design meets or exceeds ASME B40.100 pressure gauge standard.



Dial	Unit	A	B	C	D	G	E
1 1/2"	In.	1.84"	1.03"	0.63"	1.61"	1.61"	1/8" NPT
	mm	47	26	16	41	41	
2"	In.	2.31"	1.18"	0.73"	1.84"	2.04"	1/8" or 1/4" NPT
	mm	59	30	19	47	52	
2 1/2"	In.	2.68"	1.12"	0.76"	1.87"	2.44"	1/4" NPT
	mm	68	28	19	48	62	
3 1/2"	In.	3.98"	1.23"	0.67"	2.02"	3.59"	1/4" NPT
	mm	101	31	17	51	91	

104D UTILITY GAUGE FRONT FLANGE PANEL MOUNT

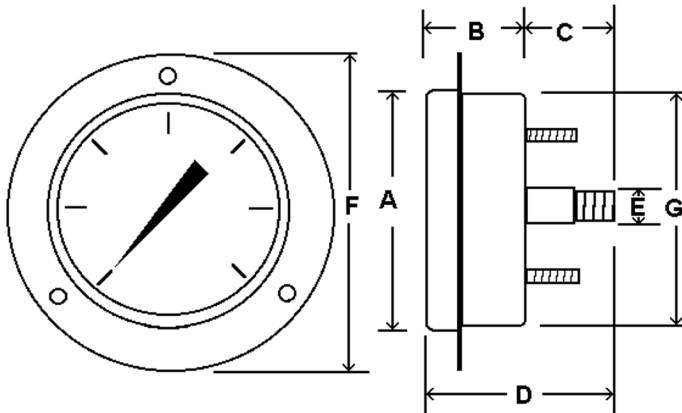


Utility gauge for commercial and industrial markets
Chrome case and bezel, copper alloy internals

SPECIFICATIONS

Dial	1 1/2" (40 mm), 2" (50 mm), 2 1/2" (63 mm), 3 1/2" (88 mm) - See 203D-354 p. 20
Case	Chrome plated steel, dry non-fillable
Wetted Parts	Copper alloy
Bezel	Chrome plated steel, fixed
Lens	Plastic
Pointer	Black aluminum
Connection	Center back mount with front flange Ships with u-clamp 1 1/2" dial = 1/8" NPT 2" dial = 1/8" or 1/4" NPT 2 1/2" dial = 1/4" NPT
Scale	Standard: psi/BAR (x 100 = kPa)
Accuracy	3-2-3% of span, ASME B40.1 Grade B
Ambient Temp	-50° F to 160° F

Design meets or exceeds ASME B40.100 pressure gauge standard.



AVAILABLE OPTIONS*

- Certificate of Accuracy, NIST traceable
- Custom Dial
- Anti-Vibration Movement, see page 107
- Glass Lens
- Stainless Steel Case
- Cleaned for Oxygen Service
- Special Connection Size
- Protective Rubber Cover, see page 119
- Max/Min Pointer, see page 120

*Lead times/minimums may apply

APPROXIMATE SHIPPING WEIGHTS/ BOX QUANTITIES

Dial	Unit	A	B	C	D	F	G	E
1 1/2"	In.	1.84"	1.03"	0.63"	1.61"	2.23"	1.61"	1/8" NPT
	mm	47	26	16	41	57	41	
2"	In.	2.31"	1.18"	0.73"	1.84"	2.81"	2.04"	1/8" or 1/4" NPT
	mm	59	30	19	47	71	52	
2 1/2"	In.	2.68"	1.12"	0.76"	1.87"	3.47"	2.44"	1/4" NPT
	mm	68	28	19	48	88	62	

Dial Size	Est. Unit Weight	Box Qty
1 1/2"	0.20 lbs (0.10 kg)	upon request
2"	0.35 lbs (0.16 kg)	upon request
2 1/2"	0.40 lbs (0.18 kg)	upon request

For complete flange dimensions, see page 121.



SE-100 SERIES UTILITY GAUGE

1 Utility gauge for commercial and industrial markets
Black steel case and bezel, copper alloy internals



STANDARD DIAL CONFIGURATIONS FOR SE-100 SERIES		
Dial Range	Figure Intervals	Graduation Intervals
30/0"hg Vac	5" hg	0.5" hg
0/15 psi	2 psi	0.1 psi
0/30 psi	5 psi	0.5 psi
0/60 psi	10 psi	1 psi
0/100 psi	20 psi	2 psi
0/160 psi	20 psi	2 psi
0/200 psi	40 psi	5 psi
0/300 psi	50 psi	5 psi
0/400 psi	50 psi	5 psi
0/600 psi	100 psi	10 psi

NOTE: Because of continuing improvements, increments/specifications are subject to change without notice. Stock ranges vary by dial size and configuration. Consult PIC Gauges for availability.

SE-101D UTILITY GAUGE LOWER MOUNT

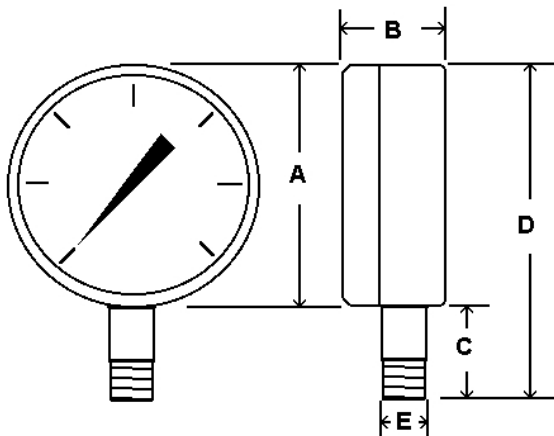


Utility gauge for commercial and industrial markets
Black steel case and bezel, copper alloy internals

SPECIFICATIONS

Dial	1 ½" (40 mm), 2" (50 mm), 2 ½" (63 mm)
Case	Black steel, dry non-fillable
Wetted Parts	Copper alloy
Bezel	Black painted steel, fixed
Lens	Glass
Pointer	Black aluminum
Connection	Lower mount 1 ½" dial = ⅛" NPT 2" dial = ⅛" or ¼" NPT 2 ½" dial = ¼" NPT
Scale	Standard: psi/BAR (x 100 = kPa)
Accuracy	3-2-3% of span, ASME B40.1 Grade B
Ambient Temp	-50° F to 160° F

Design meets or exceeds ASME B40.100 pressure gauge standard.



Dial	Unit	A	B	C	D	E
1 ½"	In.	1.64"	0.93"	0.63"	2.27"	⅛" NPT
	mm	42	24	16	58	
2"	In.	2.07"	1.03"	0.83"	2.90"	⅛" or ¼" NPT
	mm	53	26	21	74	
2 ½"	In.	2.5"	1.17"	0.86"	3.36"	¼" NPT
	mm	63	30	22	26	

AVAILABLE OPTIONS*

- Certificate of Accuracy, NIST traceable
- Custom Dial
- Anti-Vibration Movement, see page 107
- Cleaned for Oxygen Service
- Special Connection Size
- Protective Rubber Cover, see page 119
- Plastic Lens
- Max/Min Pointer, see page 120

*Lead times/minimums may apply

APPROXIMATE SHIPPING WEIGHTS/ BOX QUANTITIES

Dial Size	Est. Unit Weight	Box Qty
1 ½"	0.10 lbs (0.06 kg)	100
2"	0.20 lbs (0.10 kg)	100
2 ½"	0.30 lbs (0.14 kg)	100



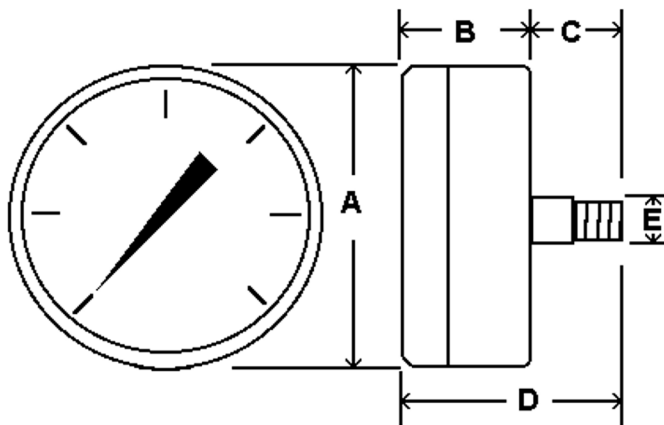
SE-102D UTILITY GAUGE CENTER BACK MOUNT

1 Utility gauge for commercial and industrial markets
Black steel case and bezel, copper alloy internals

SPECIFICATIONS

Dial	1 1/2" (40 mm), 2" (50 mm), 2 1/2" (63 mm)
Case	Black steel, dry non-fillable
Wetted Parts	Copper alloy
Bezel	Black painted steel, fixed
Lens	Glass
Pointer	Black aluminum
Connection	Center back mount 1 1/2" dial = 1/8" NPT 2" dial = 1/8" or 1/4" NPT 2 1/2" dial = 1/4" NPT
Scale	Standard: psi/BAR (x 100 = kPa)
Accuracy	3-2-3% of span, ASME B40.1 Grade B
Ambient Temp	-50° F to 160° F

Design meets or exceeds ASME B40.100 pressure gauge standard.



Dial	Unit	A	B	C	D	E
1 1/2"	In.	1.64"	0.93"	0.63"	1.54"	1/8" NPT
	mm	42	24	16	39	
2"	In.	2.07"	1.03"	0.83"	1.86"	1/8" or 1/4" NPT
	mm	53	26	21	47	
2 1/2"	In.	2.5"	1.17"	0.90"	1.97"	1/4" NPT
	mm	63	30	23	50	

AVAILABLE OPTIONS*

- Certificate of Accuracy, NIST traceable
- Custom Dial
- Anti-Vibration Movement, see page 107
- Cleaned for Oxygen Service
- Special Connection Size
- Protective Rubber Cover, see page 119
- Plastic Lens
- Max/Min Pointer, see page 120

*Lead times/minimums may apply

APPROXIMATE SHIPPING WEIGHTS/ BOX QUANTITIES

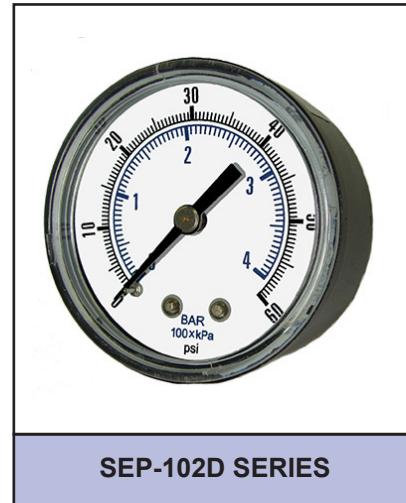
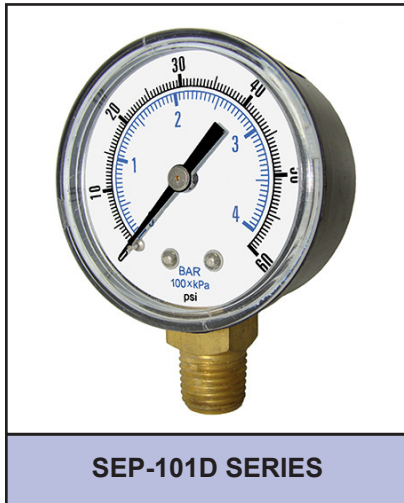
Dial Size	Est. Unit Weight	Box Qty
1 1/2"	0.15 lbs (0.06 kg)	100
2"	0.25 lbs (0.10 kg)	100
2 1/2"	0.37 lbs (0.17 kg)	100

SEP-100 UTILITY GAUGE ABS PLASTIC CASE



1

ABS plastic case utility gauge for commercial and industrial markets
Black plastic case, copper alloy internals



STANDARD DIAL CONFIGURATIONS FOR SEP-100 SERIES		
Dial Range	Figure Intervals	Graduation Intervals
30/0"hg Vac	5" hg	0.5" hg
0/15 psi	2 psi	0.1 psi
0/30 psi	5 psi	0.5 psi
0/60 psi	10 psi	1 psi
0/100 psi	20 psi	2 psi
0/160 psi	20 psi	2 psi
0/200 psi	40 psi	5 psi
0/300 psi	50 psi	5 psi

NOTE: Because of continuing improvements, increments/specifications are subject to change without notice. Stock ranges vary by dial size and configuration. Consult PIC Gauges for availability.



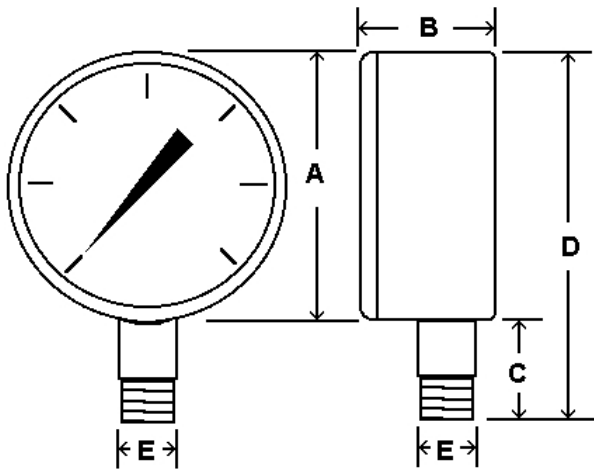
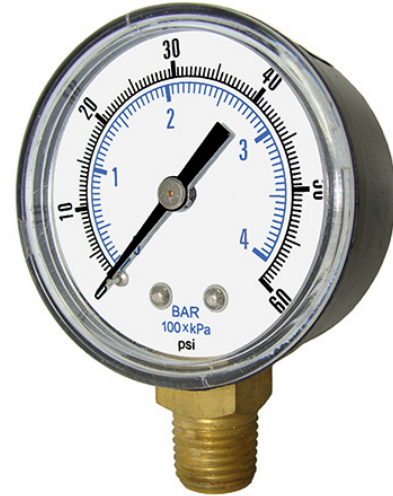
SEP-101D UTILITY GAUGE ABS PLASTIC CASE

1 ABS plastic case utility gauge for commercial and industrial markets Black plastic case, copper alloy internals

SPECIFICATIONS

Dial	2" (50 mm)
Case	ABS plastic, dry non-fillable
Wetted Parts	Copper alloy
Lens	Plastic
Pointer	Black aluminum
Connection	Lower mount
	2" dial = 1/8" or 1/4" NPT
Scale	Standard: psi/BAR (x 100 = kPa)
Accuracy	3-2-3% of span, ASME B40.1 Grade B
Ambient Temp	-40° F to 140° F

Design meets or exceeds ASME B40.100 pressure gauge standard.



Dial	Unit	A	B	C	D	E
2"	In.	2.09"	1.14"	0.83"	2.83"	1/8" or 1/4"
	mm	53	29	21	72	NPT

AVAILABLE OPTIONS*

- Certificate of Accuracy, NIST traceable
- Custom Dial
- Anti-Vibration Movement, see page 107
- Cleaned for Oxygen Service
- Special Connection Size
- Protective Rubber Cover, see page 119
- Max/Min Pointer, see page 120

*Lead times/minimums may apply

APPROXIMATE SHIPPING WEIGHTS/ BOX QUANTITIES

Dial Size	Est. Unit Weight	Box Qty
2"	0.15 lbs (0.08 kg)	100

SEP-102D UTILITY GAUGE ABS PLASTIC CASE

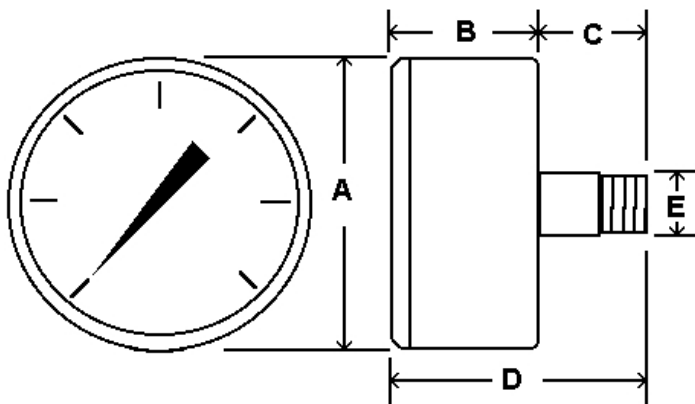


ABS plastic case utility gauge for commercial and industrial markets
Black plastic case, copper alloy internals

SPECIFICATIONS

Dial	2" (50 mm)
Case	ABS plastic, dry non-fillable
Wetted Parts	Copper alloy
Lens	Plastic
Pointer	Black aluminum
Connection	Center back mount 2" dials = 1/4" NPT
Scale	Standard: psi/BAR (x 100 = kPa)
Accuracy	3-2-3% of span, ASME B40.1 Grade B
Ambient Temp	-40° F to 140° F

Design meets or exceeds ASME B40.100 pressure gauge standard.



Dial	Unit	A	B	C	D	E
2"	In.	2.11"	1.06"	0.71"	1.77"	1/4" NPT
	mm	54	27	18	45	

AVAILABLE OPTIONS*

- Certificate of Accuracy, NIST traceable
- Custom Dial
- Anti-Vibration Movement, see page 107
- Cleaned for Oxygen Service
- Special Connection Size
- Protective Rubber Cover, see page 119
- Max/Min Pointer, see page 120

*Lead times/minimums may apply

APPROXIMATE SHIPPING WEIGHTS/ BOX QUANTITIES

Dial Size	Est. Unit Weight	Box Qty
2"	0.20 lbs (0.08 kg)	100



200 SERIES LIQUID FILLED GAUGE

Glycerine filled for added durability in applications where vibration or pulsation is present
Stainless steel case and bezel, copper alloy internals

2



STANDARD DIAL CONFIGURATIONS FOR 200 SERIES

Dial Range	Figure Intervals	Graduation Intervals	Dial Range	Figure Intervals	Graduation Intervals	Dial Range	Figure Intervals	Graduation Intervals
30/0"hg Vac	5" hg	0.5" hg	0/60 psi	10 psi	0.5 psi	0/1000 psi	200 psi	20 psi
30/0/15 psi	10" hg/5 psi	1" hg/0.5 psi	0/100 psi	20 psi	2 psi	0/1500 psi	200 psi	20 psi
30/0/30 psi	10" hg/5psi	1" hg/0.5 psi	0/160 psi	20 psi	2 psi	0/2000 psi	400 psi	40 psi
30/0/60 psi	30" hg/10psi	2" hg/1 psi	0/200 psi	40 psi	5 psi	0/3000 psi	500 psi	50 psi
30/0/100 psi	30" hg/20psi	5" hg/2 psi	0/300 psi	50 psi	5 psi	0/4000 psi	500 psi	50 psi
30/0/150 psi	30" hg/30psi	5" hg/2 psi	0/400 psi	50 psi	5 psi	0/5000 psi	1000 psi	100 psi
30/0/300 psi	30" hg/50psi	10" hg/5 psi	0/500 psi	100 psi	10 psi	0/6000 psi	1000 psi	100 psi
0/15 psi	2 psi	0.1 psi	0/600 psi	100 psi	10 psi	0/10,000 psi	2000 psi	200 psi
0/30 psi	5 psi	0.5 psi	0/800 psi	100 psi	10 psi	0/15,000 psi	2000 psi	200 psi

NOTE: Because of continuing improvements, increments/specifications are subject to change without notice. Stock ranges vary by dial size and configuration. Consult PIC Gauges for availability.

201L LIQUID FILLED LOWER MOUNT



Glycerine filled for added durability in applications where vibration or pulsation is present
Stainless steel case and bezel, copper alloy internals

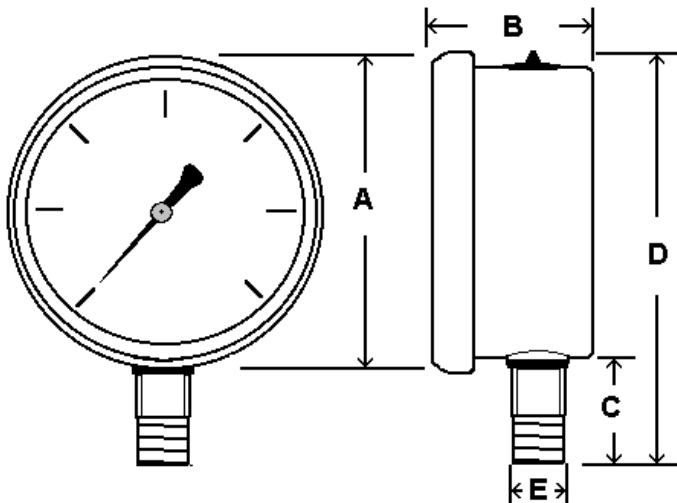
2

SPECIFICATIONS

Dial	1 1/2" (40 mm), 2" (50 mm), 4" (100 mm)
Case	Stainless steel, glycerine filled
Wetted Parts	Copper alloy
Bezel	Stainless steel, fixed
Lens	Polycarbonate
Pointer	Black aluminum
Connection	Lower mount 1 1/2" dial = 1/8" NPT 2" dial = 1/8" or 1/4" NPT 4" dial = 1/4" or 1/2" NPT
Scale	Standard: psi/BAR (x 100 = kPa)
Accuracy	3-2-3% of span 1 1/2" & 2" ASME B40.1 Grade B 2-1-2% of span 4" ASME B40.1 Grade A
Ambient Temp	Glycerine Filled = 30° F to 160° F Dry = -30° F to 180° F



Design meets or exceeds ASME B40.100 pressure gauge standard.



Dial	Unit	A	B	C	D	E
1 1/2"	In.	1.85"	1.00"	0.67"	2.28"	1/8" NPT
	mm	47	25	17	58	
2"	In.	2.27"	1.20"	0.91"	2.95"	1/8" or 1/4" NPT
	mm	58	31	23	75	
4"	In.	4.29"	1.75"	1.17"	5.21"	1/4" or 1/2" NPT
	mm	109	45	30	132	

AVAILABLE OPTIONS*

- Certificate of Accuracy, NIST traceable
- Custom Dial
- Liquid Fill Options, see page 173
- Anti-Vibration Movement, see page 107
- Glass Lens
- Dry, Fillable Case
- Cleaned for Oxygen Service (dry only)
- Special Connection Size
- Protective Rubber Cover, see page 119
- Max/Min Pointer, see page 120

*Lead times/minimums may apply

APPROXIMATE SHIPPING WEIGHTS/ BOX QUANTITIES

Dial Size	Est. Unit Weight	Box Qty
1 1/2"	0.20 lbs (0.10 kg)	100
2"	0.40 lbs (0.18 kg)	100
4"	1.5 lbs (0.68 kg)	30



202L LIQUID FILLED CENTER BACK MOUNT

Glycerine filled for added durability in applications where vibration or pulsation is present
Stainless steel case and bezel, copper alloy internals

SPECIFICATIONS

2	Dial	1 1/2" (40 mm), 2" (50 mm), 4" (100 mm)
	Case	Stainless steel, glycerine filled
	Wetted Parts	Copper alloy
	Bezel	Stainless steel, fixed
	Lens	Polycarbonate
	Pointer	Black aluminum
	Connection	Center back mount 1 1/2" dial = 1/8" NPT 2" dial = 1/8" or 1/4" NPT 4" dial = 1/4" NPT
	Scale	Standard: psi/BAR (x 100 = kPa)
	Accuracy	3-2-3% of span 1 1/2" & 2" ASME B40.1 Grade B 2-1-2% of span 4" ASME B40.1 Grade A
	Ambient Temp	Glycerine Filled = 30° F to 160° F Dry = -30° F to 180° F



AVAILABLE OPTIONS*

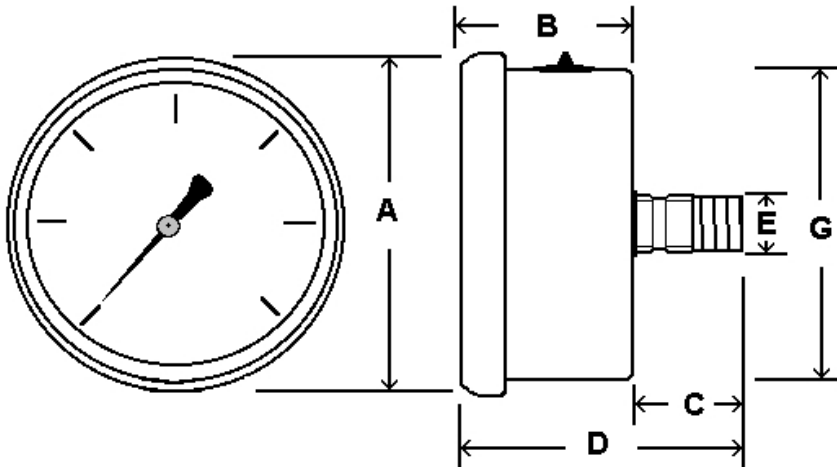
- Certificate of Accuracy, NIST traceable
- Custom Dial
- Liquid Fill Options, see page 173
- Anti-Vibration Movement, see page 107
- Glass Lens
- Dry, Fillable Case
- Cleaned for Oxygen Service (dry only)
- Special Connection Size
- Protective Rubber Cover, see page 119
- Max/Min Pointer, see page 120

*Lead times/minimums may apply

APPROXIMATE SHIPPING WEIGHTS/ BOX QUANTITIES

Dial Size	Est. Unit Weight	Box Qty
1 1/2"	0.20 lbs (0.10 kg)	100
2"	0.40 lbs (0.18 kg)	100
4"	1.50 lbs (0.70 kg)	30

Design meets or exceeds ASME B40.100 pressure gauge standard.



Dial	Unit	A	B	C	D	E	G
1 1/2"	In.	1.85"	1.02"	0.72"	1.74"	1/8" NPT	1.63"
	mm	47	26	18	44		42
2"	In.	2.28"	1.18"	0.94"	2.08"	1/8" or 1/4" NPT	2.05"
	mm	58	30	24	53		52
4"	In.	4.29"	1.78"	1.37"	3.15"	1/4" NPT	3.91"
	mm	109	45	35	80		99

203L LIQUID FILLED U-CLAMP PANEL MOUNT



Glycerine filled for added durability in applications where vibration or pulsation is present
Stainless steel case and bezel, copper alloy internals

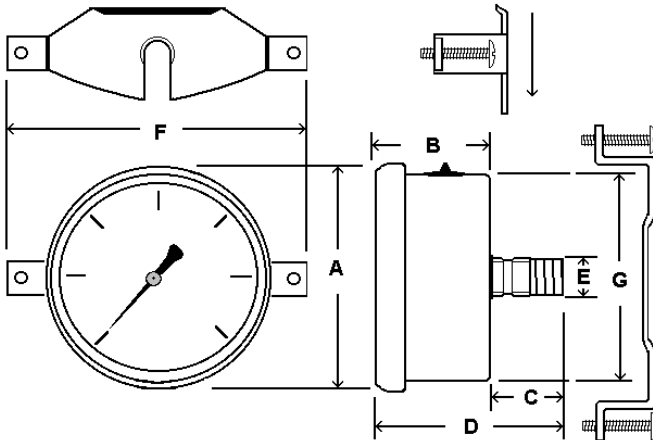
2

SPECIFICATIONS

Dial	1 1/2" (40 mm), 2" (51 mm), 4" (100 mm)
Case	Stainless steel, glycerine filled
Wetted Parts	Copper alloy
Bezel	Stainless steel, fixed
Lens	Polycarbonate
Pointer	Black aluminum
Connection	Center back mount with u-clamp 1 1/2" dial = 1/8" NPT 2" dial = 1/8" or 1/4" NPT 4" dial = 1/4" NPT
Scale	Standard: psi/BAR (x 100 = kPa)
Accuracy	3-2-3% of span 1 1/2" & 2" ASME B40.1 Grade B 2-1-2% of span 4" ASME B40.1 Grade A
Ambient Temp	Glycerine Filled = 30° F to 160° F Dry = -30° F to 180° F



Design meets or exceeds ASME B40.100 pressure gauge standard.



AVAILABLE OPTIONS*

- Certificate of Accuracy, NIST traceable
- Custom Dial
- Liquid Fill Options, see page 173
- Anti-Vibration Movement, see page 107
- Glass Lens
- Dry, Fillable Case
- Cleaned for Oxygen Service (dry only)
- Special Connection Size
- Max/Min Pointer, see page 120

*Lead times/minimums may apply

APPROXIMATE SHIPPING WEIGHTS/ BOX QUANTITIES

Dial	Unit	A	B	C	D	E	F	G
1 1/2"	In.	1.85"	1.02"	0.72"	1.74"	1/8" NPT	2.75"	1.63"
	mm	47	26	18	44		70	42
2"	In.	2.28"	1.18"	0.94"	2.08"	1/8" or 1/4" NPT	3.13"	2.05"
	mm	58	30	24	53		80	52
4"	In.	4.29"	1.78"	1.37"	3.15"	1/4" or 1/2" NPT	5.6"	3.91"
	mm	109	45	35	80		141	99

Dial Size	Est. Unit Weight	Box Qty
1 1/2"	0.30 lbs (0.13 kg)	100
2"	0.50 lbs (0.23 kg)	100
4"	1.70 lbs (0.76 kg)	30

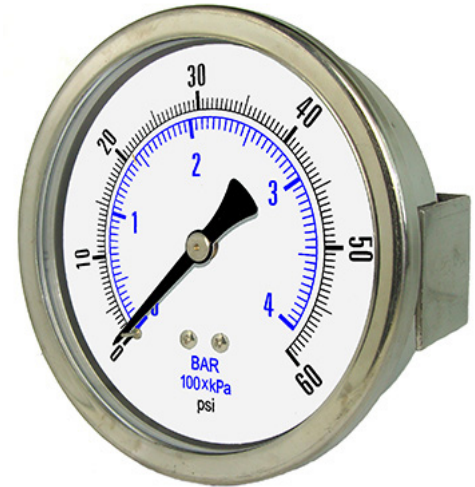


3 1/2" 203D FILLABLE U-CLAMP PANEL MOUNT

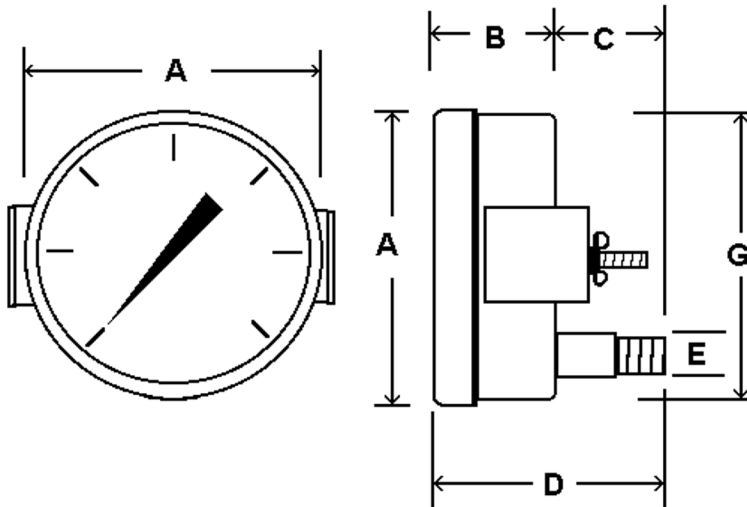
Dry yet fillable gauge for durability in applications where vibration or pulsation is present
Stainless steel case and bezel, copper alloy internals

SPECIFICATIONS

2	Dial	3 1/2" (88 mm)
	Case	Stainless steel, dry yet fillable
	Wetted Parts	Copper alloy
	Bezel	Stainless steel, fixed
	Lens	Polycarbonate
	Pointer	Black aluminum
	Connection	Lower back mount with u-clamp 3 1/2" dial = 1/4" NPT
	Scale	Standard: psi/BAR (x 100 = kPa)
	Accuracy	2-1-2% of span, ASME B40.1 Grade A
	Ambient Temp	Dry = -30° F to 180° F Glycerine Filled = 30° F to 160° F



Design meets or exceeds ASME B40.100 pressure gauge standard.



AVAILABLE OPTIONS*

- Certificate of Accuracy, NIST traceable
- Custom Dial
- Liquid Fill Options, see page 173
- Anti-Vibration Movement, see page 107
- Glass Lens
- Cleaned for Oxygen Service (dry only)
- Special Connection Size
- Max/Min Pointer, see page 120

*Lead times/minimums may apply

APPROXIMATE SHIPPING WEIGHTS/ BOX QUANTITIES

Dial	Unit	A	B	C	D	E	G
3 1/2"	In.	3.83"	1.13"	1.00"	2.15"	1/4" NPT	3.50"
	mm	97	29	25	55		89

Dial Size	Est. Unit Weight	Box Qty
3 1/2"	0.60 lbs (0.28 kg)	50

204L LIQUID FILLED FRONT FLANGE PANEL MOUNT



Glycerine filled for added durability in applications where vibration or pulsation is present
Stainless steel case and bezel, copper alloy internals

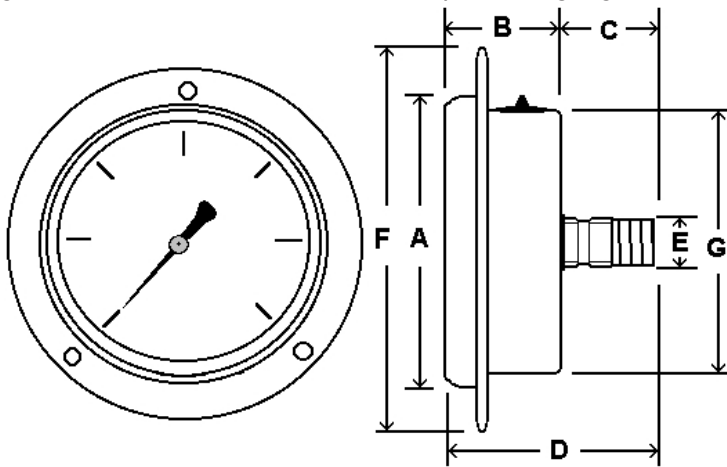
SPECIFICATIONS

Dial	1 1/2" (40 mm), 2" (50 mm), 3 1/2" (88 mm), 4" (100 mm)
Case	Stainless steel, glycerine filled
Wetted Parts	Copper alloy
Bezel	Stainless steel, fixed
Lens	Polycarbonate
Pointer	Black aluminum
Connection	Center back mount with front flange 1 1/2" dial = 1/8" NPT 2" dial = 1/8" or 1/4" NPT 3 1/2" dial = 1/4" NPT - ships with u-clamp 4" dial = 1/4" NPT
Scale	Standard: psi/BAR (x 100 = kPa)
Accuracy	3-2-3% of span 1 1/2" & 2" ASME B40.1 Grade B 2-1-2% of span 4" ASME B40.1 Grade A
Ambient Temp	Glycerine Filled = 30° F to 160° F Dry = -30° F to 180° F



2

Design meets or exceeds ASME B40.100 pressure gauge standard.



Dial	Unit	A	B	C	D	E	F	G
1 1/2"	In.	1.85"	1.02"	0.72"	1.74"	1/8" NPT	2.46"	1.63"
	mm	47	26	18	44		63	42
2"	In.	2.28"	1.18"	0.94"	2.08"	1/8" or 1/4" NPT	2.81"	2.05"
	mm	58	30	24	53		72	52
4"	In.	4.29"	1.78"	1.37"	3.15"	1/4" or 1/2" NPT	5.14"	3.91"
	mm	109	45	35	80		130	99

AVAILABLE OPTIONS*

- Certificate of Accuracy, NIST traceable
- Custom Dial
- Liquid Fill Options, see page 173
- Anti-Vibration Movement, see page 107
- Glass Lens
- Dry, Fillable Case
- Cleaned for Oxygen Service (dry only)
- Special Connection Size
- Max/Min Pointer, see page 120

*Lead times/minimums may apply

APPROXIMATE SHIPPING WEIGHTS/ BOX QUANTITIES

Dial Size	Est. Unit Weight	Box Qty
1 1/2"	0.30 lbs (0.13 kg)	100
2"	0.50 lbs (0.23 kg)	100
4"	1.70 lbs (0.76 kg)	30

For complete flange dimensions, see page 121.

210 SERIES FILLABLE GAUGE

Dry yet fillable gauge with removable bezel, adjustable pointer
Stainless steel case and bezel, copper alloy internals

2



STANDARD DIAL CONFIGURATIONS FOR 210 SERIES

Dial Range	Figure Intervals	Graduation Intervals	Dial Range	Figure Intervals	Graduation Intervals	Dial Range	Figure Intervals	Graduation Intervals
30/0"hg Vac	5" hg	0.5" hg	0/60 psi	10 psi	0.5 psi	0/1000 psi	200 psi	20 psi
30/0/30 psi	10" hg/5 psi	1" hg/0.5 psi	0/100 psi	20 psi	2 psi	0/1500 psi	200 psi	20 psi
30/0/60 psi	30" hg/10psi	2" hg/1 psi	0/160 psi	20 psi	2 psi	0/2000 psi	200 psi	20 psi
30/0/100 psi	30" hg/20psi	5" hg/2 psi	0/200 psi	40 psi	5 psi	0/3000 psi	500 psi	50 psi
30/0/150 psi	30" hg/30psi	5" hg/2 psi	0/300 psi	50 psi	5 psi	0/4000 psi	500 psi	100 psi
0/15 psi	2 psi	0.1 psi	0/400 psi	50 psi	5 psi	0/5000 psi	1000 psi	100 psi
0/30 psi	5 psi	0.25 psi	0/600 psi	100 psi	10 psi	0/6000 psi	1000 psi	100 psi
						0/10,000 psi	2000 psi	200 psi

NOTE: Because of continuing improvements, increments/specifications are subject to change without notice. Stock ranges vary by dial size and configuration. Consult PIC Gauges for availability.

211D REMOVABLE BEZEL LOWER MOUNT



Dry yet fillable gauge with removable bezel, adjustable pointer
Stainless steel case and bezel, copper alloy internals

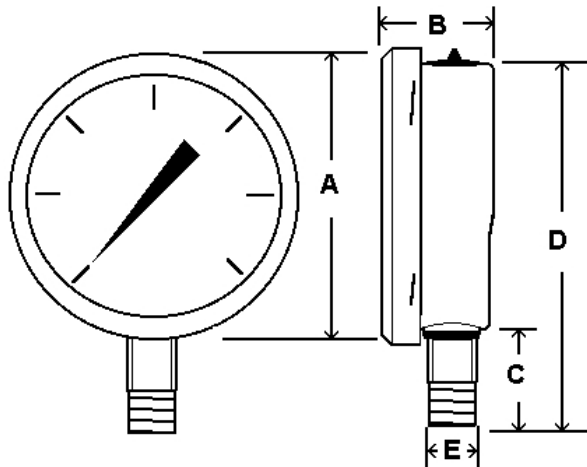
SPECIFICATIONS

Dial	2 ½" (63 mm)
Case	Stainless steel, dry - fillable
Wetted Parts	Copper alloy
Bezel	Removable, stainless steel
Lens	Glass
Pointer	Adjustable, black aluminum
Connection	Lower mount 2 ½" dial = ¼" NPT
Scale	Standard: psi/BAR (x 100 = kPa)
Accuracy	2-1-2% of span ASME B40.1 Grade A
Ambient Temp	Dry = -30° F to 180° F Glycerine Filled = 30° F to 160° F

Design meets or exceeds ASME B40.100 pressure gauge standard.



2



Dial	Unit	A	B	C	D	E
2 ½"	In.	2.83"	1.42"	1.06"	3.54"	¼"
	mm	72	36	27	90	NPT

AVAILABLE OPTIONS*

- Certificate of Accuracy, NIST traceable
- Custom Dial
- Liquid Fill Options, see page 173
- Anti-Vibration Movement, see page 107
- Cleaned for Oxygen Service (dry only)
- Special Connection Size
- Protective Rubber Cover, see page 119
- Plastic Lens
- Max/Min Pointer, see page 120

*Lead times/minimums may apply

APPROXIMATE SHIPPING WEIGHTS/ BOX QUANTITIES

Dial Size	Est. Unit Weight	Box Qty
2 ½"	0.40 lbs (0.20 kg)	100



212D REMOVABLE BEZEL CENTER BACK MOUNT

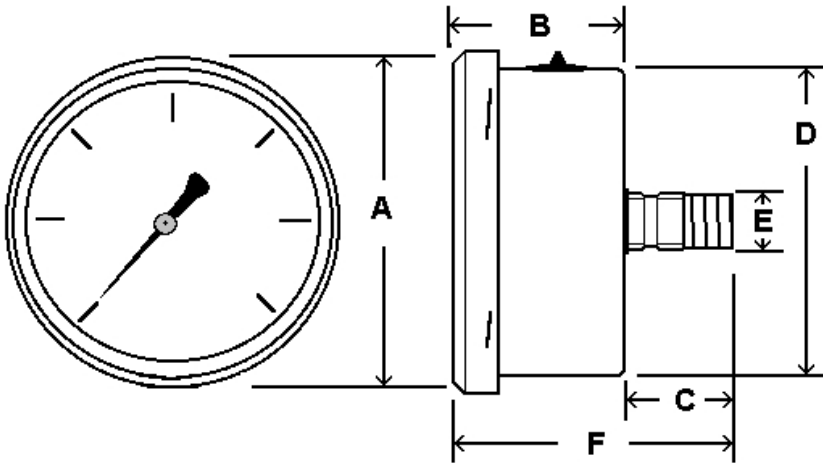
Dry yet fillable gauge with removable bezel, adjustable pointer
Stainless steel case and bezel, copper alloy internals

SPECIFICATIONS

2	Dial	2 1/2" (63 mm),
	Case	Stainless steel, dry yet fillable
	Wetted Parts	Copper alloy
	Bezel	Removable, stainless steel
	Lens	Glass
	Pointer	Adjustable, black aluminum
	Connection	Center back mount 2 1/2" dial = 1/4" NPT
	Scale	Standard: psi/BAR (x 100 = kPa)
	Accuracy	2-1-2% of span ASME B40.1 Grade A
	Ambient Temp	Dry = -30° F to 180° F Glycerine Filled = 30° F to 160° F



Design meets or exceeds ASME B40.100 pressure gauge standard.



Dial	Unit	A	B	C	D	E	F
2 1/2"	In.	2.83"	1.37"	1.00"	2.49"	1/4"	2.29"
	mm	72	35	25	63	NPT	58

AVAILABLE OPTIONS*

- Certificate of Accuracy, NIST traceable
- Custom Dial
- Liquid Fill Options, see page 173
- Anti-Vibration Movement, see page 107
- Cleaned for Oxygen Service (dry only)
- Special Connection Size
- Protective Rubber Cover, see page 119
- Plastic Lens
- Max/Min Pointer, see page 120

*Lead times/minimums may apply

APPROXIMATE SHIPPING WEIGHTS/ BOX QUANTITIES

Dial Size	Est. Unit Weight	Box Qty
2 1/2"	0.40 lbs (0.20 kg)	50

213D REMOVABLE BEZEL U-CLAMP PANEL MOUNT



Dry yet fillable gauge with removable bezel, adjustable pointer
Stainless steel case and bezel, copper alloy internals

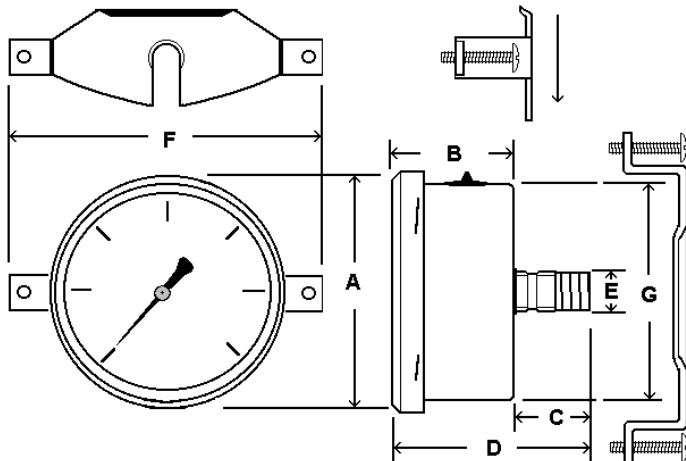
2

SPECIFICATIONS

Dial	2 1/2" (63 mm)
Case	Stainless steel, dry yet fillable
Wetted Parts	Copper alloy
Bezel	Removable, stainless steel
Lens	Glass
Pointer	Adjustable, black aluminum
Connection	Center back mount with u-clamp 2 1/2" dial = 1/4" NPT
Scale	Standard: psi/BAR (x 100 = kPa)
Accuracy	2-1-2% of span ASME B40.1 Grade A
Ambient Temp	Dry = -30° F to 180° F Glycerine Filled = 30° F to 160° F



Design meets or exceeds ASME B40.100 pressure gauge standard.



Dial	Unit	A	B	C	D	E	F	G
2 1/2"	In.	2.83"	1.37"	1.00"	2.29"	1/4"	3.84"	2.48"
	mm	72	35	25	58	NPT	98	63

AVAILABLE OPTIONS*

- Certificate of Accuracy, NIST traceable
- Custom Dial
- Liquid Fill Options, see page 173
- Anti-Vibration Movement, see page 107
- Cleaned for Oxygen Service (dry only)
- Special Connection Size
- Plastic Lens
- Max/Min Pointer, see page 120

*Lead times/minimums may apply

APPROXIMATE SHIPPING WEIGHTS/ BOX QUANTITIES

Dial Size	Est. Unit Weight	Box Qty
2 1/2"	0.55 lbs (0.25 kg)	50



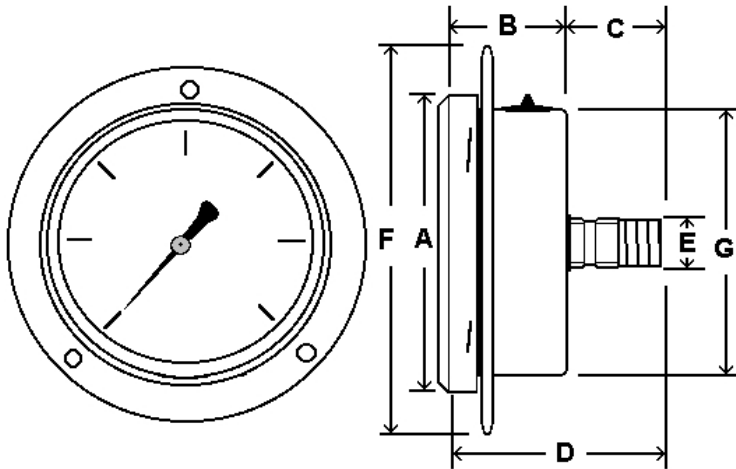
214D REMOVABLE BEZEL FRONT FLANGE PANEL MOUNT

Dry yet fillable gauge with removable bezel, adjustable pointer
 Stainless steel case and bezel, copper alloy internals

SPECIFICATIONS

2	Dial	2 1/2" (63 mm)
	Case	Stainless steel, dry yet fillable
	Wetted Parts	Copper alloy
	Bezel	Removable, stainless steel
	Lens	Glass
	Pointer	Adjustable, black aluminum
	Connection	Center back mount with front flange 1/4" NPT
	Scale	Standard: psi/BAR (x 100 = kPa)
	Accuracy	2-1-2% of span ASME B40.1 Grade A
	Ambient Temp	Dry = -30° F to 180° F Glycerine Filled = 30° F to 160° F

Design meets or exceeds ASME B40.100 pressure gauge standard.



Dial	Unit	A	B	C	D	E	F	G
2 1/2"	In.	2.83"	1.37"	1.00"	2.29"	1/4"	3.45"	2.48"
	mm	72	35	25	58	NPT	88	63

For complete flange dimensions, see page 121.

AVAILABLE OPTIONS*

- Certificate of Accuracy, NIST traceable
- Custom Dial
- Liquid Fill Options, see page 173
- Anti-Vibration Movement, see page 107
- Cleaned for Oxygen Service (dry only)
- Special Connection Size
- Plastic Lens
- Max/Min Pointer, see page 120

*Lead times/minimums may apply

APPROXIMATE SHIPPING WEIGHTS/ BOX QUANTITIES

Dial Size	Est. Unit Weight	Box Qty
2 1/2"	0.55 lbs (0.25 kg)	50

PRO-200 SERIES LIQUID FILLED GAUGE



Glycerine filled for added durability in applications where vibration or pulsation is present
Stainless steel case and bezel, copper alloy internals



2

STANDARD DIAL CONFIGURATIONS FOR SEC-200 SERIES

Dial Range	Figure Intervals	Graduation Intervals	Dial Range	Figure Intervals	Graduation Intervals	Dial Range	Figure Intervals	Graduation Intervals
30/0"hg Vac	5" hg	0.5" hg	0/60 psi	10 psi	1 psi	0/1000 psi	200 psi	20 psi
30/0/30 psi	10" hg/10psi	1" hg/1 psi	0/100 psi	20 psi	2 psi	0/1500 psi	200 psi	20 psi
30/0/60 psi	10" hg/10psi	2" hg/1 psi	0/160 psi	20 psi	2 psi	0/2000 psi	400 psi	40 psi
30/0/100 psi	30" hg/20psi	5" hg/2 psi	0/200 psi	40 psi	4 psi	0/3000 psi	500 psi	50 psi
30/0/150 psi	30" hg/20psi	5" hg/2 psi	0/300 psi	50 psi	5 psi	0/4000 psi	500 psi	50 psi
30/0/300 psi	30" hg/50psi	10" hg/5 psi	0/400 psi	50 psi	5 psi	0/5000 psi	1000 psi	100 psi
0/15 psi	2 psi	0.1 psi	0/500 psi	100 psi	10 psi	0/6000 psi	1000 psi	100 psi
0/30 psi	5 psi	0.5 psi	0/600 psi	100 psi	10 psi	0/10,000 psi	2000 psi	200 psi

NOTE: Because of continuing improvements, increments/specifications are subject to change without notice. Stock ranges vary by dial size and configuration. Consult PIC Gauges for availability.



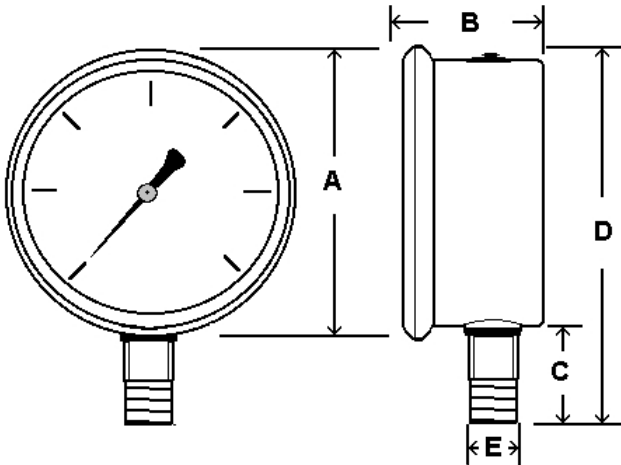
PRO-201L LIQUID FILLED LOWER MOUNT

Improved accuracy to ASME B40.1 Grade A. One piece design for toughness during installation. Glycerin filled for added durability during in application. Stainless steel case and bezel with copper alloy internals.

2

Dial	2 ½" (63 mm)
Case	Stainless steel, glycerine filled
Wetted Parts	Copper alloy
Bezel	Stainless steel, fixed
Lens	Polycarbonate
Pointer	Black aluminum
Connection	Lower mount 2 ½" dial = ¼" NPT
Scale	Standard: psi/BAR (x 100 = kPa)
Accuracy	2-1-2% of span ASME B40.1 Grade A
Ambient Temp	Glycerine Filled = 30° F to 160° F Dry = -30° F to 180° F

Design meets or exceeds ASME B40.100 pressure gauge standard.



Dial	Unit	A	B	C	D	E
2 ½"	In.	2.65"	1.20"	0.88"	3.30"	¼" NPT
	mm	68	30	22	84	

- Certificate of Accuracy, NIST traceable
- Custom Dial
- Liquid Fill Options, see page 180
- Anti-Vibration Movement, see page 113
- Dry, Fillable Case
- Special Connection Size
- Protective Rubber Cover, see page 125
- Max/Min Pointer, see page 126

*Lead times/minimums may apply

Dial Size	Est. Unit Weight	Box Qty
2 ½"	0.45 lbs (0.20 kg)	100

PRO-202L LIQUID FILLED CENTER BACK MOUNT



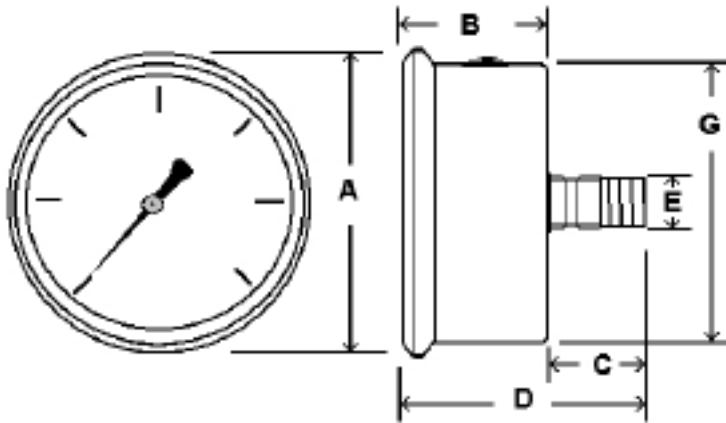
Improved accuracy to ASME B40.1 Grade A. One piece design for toughness during installation. Glycerin filled for added durability during in application. Stainless steel case and bezel with copper alloy internals.

Dial	2 1/2" (63 mm),
Case	Stainless steel, glycerine filled
Wetted Parts	Copper alloy
Bezel	Stainless steel, fixed
Lens	Polycarbonate
Pointer	Black aluminum
Connection	Center back mount 2 1/2" dial = 1/4" NPT
Scale	Standard: psi/BAR (x 100 = kPa)
Accuracy	2-1-2% of span ASME B40.1 Grade A
Ambient Temp	Glycerine Filled = 30° F to 160° F Dry = -30° F to 180° F



2

Design meets or exceeds ASME B40.100 pressure gauge standard.



- Certificate of Accuracy, NIST traceable
- Custom Dial
- Liquid Fill Options, see page 180
- Anti-Vibration Movement, see page 113
- Dry, Fillable Case
- Special Connection Size
- Protective Rubber Cover, see page 125
- Max/Min Pointer, see page 126

*Lead times/minimums may apply

Dial	Unit	A	B	C	D	G	E
2 1/2"	In.	2.65"	1.21"	0.91"	2.09"	2.44"	1/4"
	mm	68	31	23	53	61.85	NPT

Dial Size	Est. Unit Weight	Box Qty
2 1/2"	0.45 lbs (0.22 kg)	60



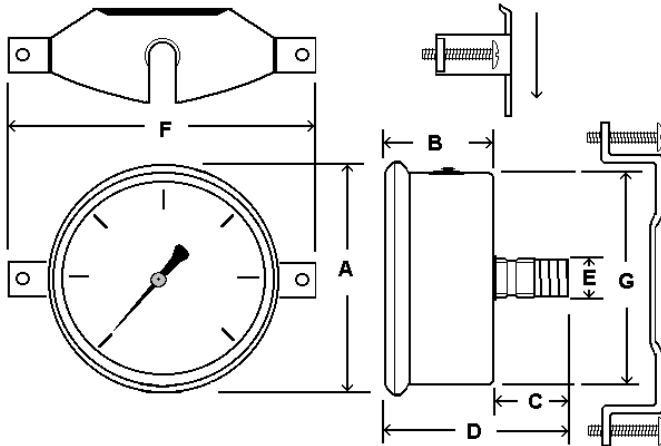
PRO-203L LIQUID FILLED U-CLAMP PANEL MOUNT

Improved accuracy to ASME B40.1 Grade A. One piece design for toughness during installation. Glycerin filled for added durability during in application. Stainless steel case and bezel with copper alloy internals.

2	Dial	2 1/2" (63 mm),
	Case	Stainless steel, glycerine filled
	Wetted Parts	Copper alloy
	Bezel	Stainless steel, fixed
	Lens	Polycarbonate
	Pointer	Black aluminum
	Connection	Center back mount with u-clamp 2 1/2" dial = 1/4" NPT
	Scale	Standard: psi/BAR (x 100 = kPa)
	Accuracy	2-1-2% of span ASME B40.1 Grade A
	Ambient Temp	Glycerine Filled = 30° F to 160° F Dry = -30° F to 180° F



Design meets or exceeds ASME B40.100 pressure gauge standard.



- Certificate of Accuracy, NIST traceable
- Custom Dial
- Liquid Fill Options, see page 180
- Anti-Vibration Movement, see page 113
- Dry, Fillable Case
- Special Connection Size
- Max/Min Pointer, see page 126

*Lead times/minimums may apply

Dial	Unit	A	B	C	D	E	F	G
2 1/2"	In.	2.65"	1.21"	0.91"	2.12"	1/4"	3.84"	2.44"
	mm	68	31	23	54	NPT	98	61

Dial Size	Est. Unit Weight	Box Qty
2 1/2"	0.55 lbs (0.26 kg)	60

PRO-204L LIQUID FILLED FRONT FLANGE PANEL MOUNT



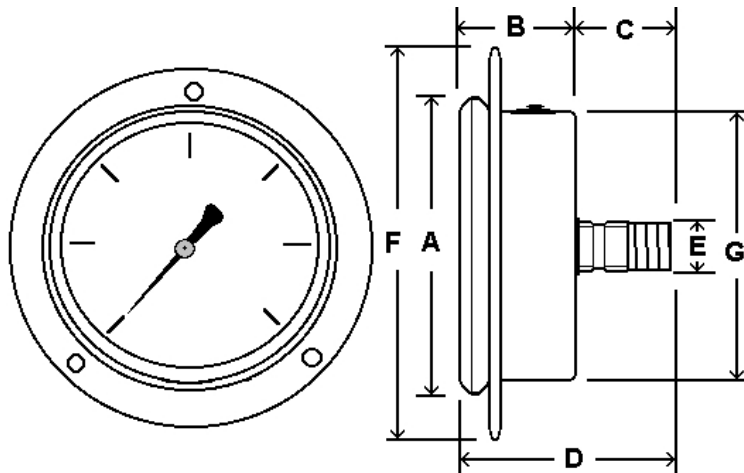
Improved accuracy to ASME B40.1 Grade A. One piece design for toughness during installation. Glycerin filled for added durability during in application. Stainless steel case and bezel with copper alloy internals.

Dial	2 1/2" (63 mm)
Case	Stainless steel, glycerine filled
Wetted Parts	Copper alloy
Bezel	Stainless steel, fixed
Lens	Polycarbonate
Pointer	Black aluminum
Connection	Center back mount with front flange 2 1/2" dial = 1/4" NPT
Scale	Standard: psi/BAR (x 100 = kPa)
Accuracy	2-1-2% of span ASME B40.1 Grade A
Ambient Temp	Glycerine Filled = 30° F to 160° F Dry = -30° F to 180° F



2

Design meets or exceeds ASME B40.100 pressure gauge standard.



- Certificate of Accuracy, NIST traceable
- Custom Dial
- Liquid Fill Options, see page 180
- Anti-Vibration Movement, see page 113
- Dry, Fillable Case
- Special Connection Size
- Max/Min Pointer, see page 126

*Lead times/minimums may apply

Dial	Unit	A	B	C	D	E	F	G
2 1/2"	In.	2.65"	1.21"	0.91"	2.12"	1/4"	3.46"	2.44"
	mm	68	31	23	54	NPT	88	61

For complete flange dimensions, see page 127.

Dial Size	Est. Unit Weight	Box Qty
2 1/2"	0.55 lbs (0.26 kg)	60



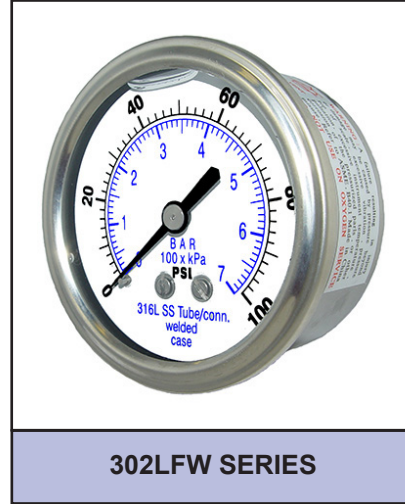
300 SERIES ALL STAINLESS LIQUID FILLED GAUGE

Heavy duty, all stainless steel gauge with welded case-to-stem connection
Stainless steel case and bezel, 316 stainless steel internals

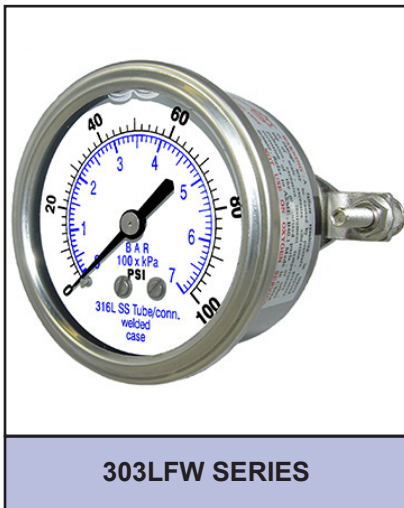
3



301LFW SERIES



302LFW SERIES



303LFW SERIES



304LFW SERIES

STANDARD DIAL CONFIGURATIONS FOR 300 SERIES - 2 1/2" DIALS

Dial Range	Figure Intervals	Graduation Intervals	Dial Range	Figure Intervals	Graduation Intervals	Dial Range	Figure Intervals	Graduation Intervals
30/0"hg Vac	5" hg	0.5" hg	0/60 psi	10 psi	1 psi	0/2000 psi	400 psi	50 psi
30/0/15 psi	10" hg/5 psi	1" hg/.5 psi	0/100 psi	20 psi	2 psi	0/3000 psi	500 psi	50 psi
30/0/30 psi	10" hg/5psi	1" hg/.5 psi	0/160 psi	20 psi	2 psi	0/4000 psi	800 psi	100 psi
30/0/60 psi	10" hg/10psi	2" hg/1 psi	0/200 psi	40 psi	5 psi	0/5000 psi	1000 psi	100 psi
30/0/100 psi	30" hg/20psi	5" hg/2 psi	0/300 psi	50 psi	5 psi	0/6000 psi	1000 psi	100 psi
30/0/150 psi	30" hg/20psi	5" hg/2 psi	0/400 psi	50 psi	5 psi	0/10,000 psi	2000 psi	200 psi
30/0/300 psi	30" hg/50psi	10" hg/10psi	0/600 psi	100 psi	10 psi	0/15,000 psi	2000 psi	200 psi
0/15 psi	2 psi	0.2 psi	0/1000 psi	200 psi	10 psi	0/20,000 psi	4000 psi	400 psi
0/30 psi	5 psi	0.5 psi	0/1500 psi	200 psi	20 psi			

NOTE: Because of continuing improvements, increments/specifications are subject to change without notice. Stock ranges vary by dial size and configuration. Consult PIC Gauges for availability.

301LFW ALL STAINLESS LOWER MOUNT

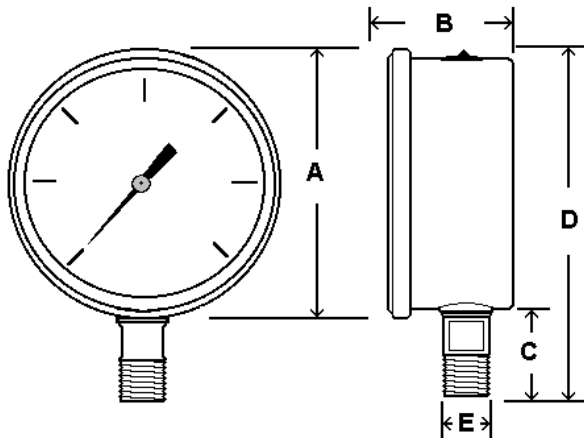


Heavy duty, all stainless steel gauge with welded case-to-stem connection
 Stainless steel case and bezel, 316 stainless steel internals
 Glycerine filled for added durability in applications where vibration or pulsation is present

SPECIFICATIONS

Dial	1 1/2" (40 mm), 2" (50 mm), 2 1/2" (63 mm), 4" (100 mm) See page 37, 6" (150 mm) - See 6001 page 53
Case	Stainless steel, glycerine filled (available dry) Welded case-to-stem connection
Wetted Parts	316 stainless steel
Bezel	Stainless steel, fixed
Lens	Polycarbonate
Pointer	Black aluminum
Connection	Lower mount 1 1/2" dial = 1/8" NPT 2" dial = 1/8" or 1/4" NPT 2 1/2" dial = 1/4" NPT
Scale	Standard: psi/BAR (x 100 = kPa)
Accuracy	3-2-3% of span 1 1/2" & 2" ASME B40.1 Grade B 2-1-2% of span 2 1/2" ASME B40.1 Grade A
Ambient Temp	Glycerine Filled = 30° F to 160° F Dry = -30° F to 180° F

Design meets or exceeds ASME B40.100 pressure gauge standard.



Dial	Unit	A	B	C	D	E
1 1/2"	In.	1.84"	1.03"	0.73"	2.32"	1/8"
	mm	47	26	19	59	NPT
2"	In.	2.25"	1.15"	0.91"	2.93"	1/8" or 1/4"
	mm	57	30	23	75	NPT
2 1/2"	In.	2.70"	1.39"	1"	3.61"	1/4"
	mm	69	35	25	92	NPT



AVAILABLE OPTIONS*

- Certificate of Accuracy, NIST traceable
- Custom Dial
- Liquid Fill Options, see page 173
- Anti-Vibration Movement, see page 107
- Dry, Fillable Case
- Glass Lens
- Cleaned for Oxygen Service (dry only)
- Special Connection Size
- Protective Rubber Cover, see page 119
- Single Scale
- Max/Min Pointer, see page 120

*Lead times/minimums may apply

APPROXIMATE SHIPPING WEIGHTS/ BOX QUANTITIES

Dial Size	Est. Unit Weight	Box Qty
1 1/2"	0.20 lbs (0.10 kg)	100
2"	0.40 lbs (0.18 kg)	100
2 1/2"	0.55 lbs (0.24 kg)	90



302LFW ALL STAINLESS CENTER BACK MOUNT

Heavy duty, all stainless steel gauge with welded case-to-stem connection

Stainless steel case and bezel, 316 stainless steel internals

Glycerine filled for added durability in applications where vibration or pulsation is present

SPECIFICATIONS

Dial	1 1/2" (40 mm), 2" (50 mm), 2 1/2" (63 mm), 4" (100 mm) - See 312D page 40 6" (150 mm) - See 6002 page 54
Case	Stainless steel, glycerine filled (available dry) Welded case-to-stem connection
Wetted Parts	316 stainless steel
3 Bezel	Stainless steel, fixed
Lens	Polycarbonate
Pointer	Black aluminum
Connection	Center back mount 1 1/2" dial = 1/8" NPT 2" dial = 1/8" or 1/4" NPT 2 1/2" dial = 1/4" NPT
Scale	Standard: psi/BAR (x 100 = kPa)
Accuracy	3-2-3% of span 1 1/2" & 2" ASME B40.1 Grade B 2-1-2% of span 2 1/2" ASME B40.1 Grade A 1% of span 4" ASME B40.1 Grade 1A
Ambient Temp	Glycerine Filled = 30° F to 160° F Dry = -30° F to 180° F

Design meets or exceeds ASME B40.100 pressure gauge standard.



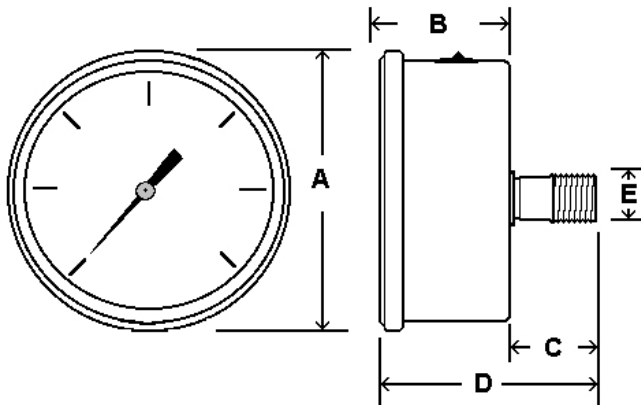
AVAILABLE OPTIONS*

- Certificate of Accuracy, NIST traceable
- Custom Dial
- Liquid Fill Options, see page 173
- Anti-Vibration Movement, see page 107
- Dry, Fillable Case
- Glass Lens
- Cleaned for Oxygen Service (dry only)
- Special Connection Size
- Protective Rubber Cover, see page 119
- Single Scale
- Max/Min Pointer, see page 120

*Lead times/minimums may apply

APPROXIMATE SHIPPING WEIGHTS/ BOX QUANTITIES

Dial Size	Est. Unit Weight	Box Qty
1 1/2"	0.20 lbs (0.10 kg)	100
2"	0.40 lbs (0.18 kg)	100
2 1/2"	0.60 lbs (0.28 kg)	50



Dial	Unit	A	B	C	D	E
1 1/2"	In.	1.83"	1.01"	0.89"	1.90"	1/8"
	mm	46	26	23	48	NPT
2"	In.	2.25"	1.17"	1.00"	2.17"	1/8" or
	mm	57	30	25	55	1/4"
2 1/2"	In.	2.71"	1.40"	1.31"	2.71"	1/4"
	mm	69	36	33	69	NPT

303LFW ALL STAINLESS U-CLAMP PANEL MOUNT

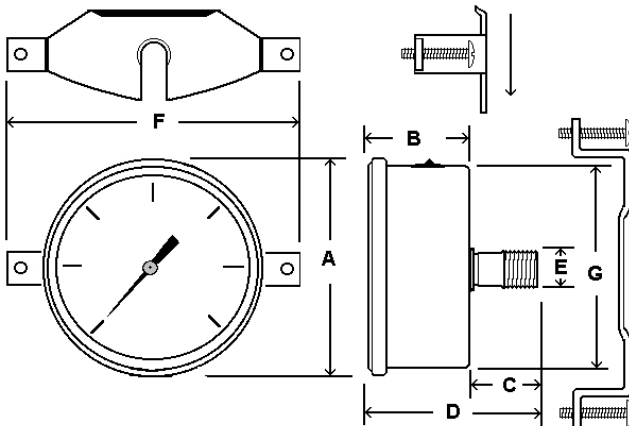


Heavy duty, all stainless steel gauge with welded case-to-stem connection
Stainless steel case and bezel, 316 stainless steel internals
Glycerine filled for added durability in applications where vibration or pulsation is present

SPECIFICATIONS

Dial	1 ½" (40 mm), 2" (50 mm), 2 ½" (63 mm), 4" (100 mm) - See 313D page 41
Case	Stainless steel, glycerine filled (available dry) Welded case-to-stem connection
Wetted Parts	316 stainless steel
Bezel	Stainless steel, fixed
Lens	Polycarbonate
Pointer	Black aluminum
Connection	Center back mount with u-clamp 1 ½" dial = ⅛" NPT 2" dial = ⅛" or ¼" NPT 2 ½" dial = ¼" NPT
Scale	Standard: psi/BAR (x 100 = kPa)
Accuracy	3-2-3% of span 1 ½" & 2" ASME B40.1 Grade B 2-1-2% of span 2 ½" ASME B40.1 Grade A
Ambient Temp	Glycerine Filled = 30° F to 160° F Dry = -30° F to 180° F
Process Temp	

Design meets or exceeds ASME B40.100 pressure gauge standard.



Dial	Unit	A	B	C	D	E	F	G
1 ½"	In.	1.83"	1.01"	0.89"	1.90"	⅛"	2.75"	1.61"
	mm	46	26	23	48	NPT		
2"	In.	2.25"	1.17"	1.00"	2.17"	⅛" or	3.13"	2.03"
	mm	57	30	25	55	¼"		
2 ½"	In.	2.71"	1.40"	1.31"	2.71"	¼"	3.84"	2.49"
	mm	69	36	33	69	NPT		



3

AVAILABLE OPTIONS*

- Certificate of Accuracy, NIST traceable
- Custom Dial
- Liquid Fill Options, see page 173
- Anti-Vibration Movement, see page 107
- Dry, Fillable Case
- Glass Lens
- Cleaned for Oxygen Service (dry only)
- Special Connection Size
- Single Scale
- Max/Min Pointer, see page 120

*Lead times/minimums may apply

APPROXIMATE SHIPPING WEIGHTS/ BOX QUANTITIES

Dial Size	Est. Unit Weight	Box Qty
1 ½"	0.30 lbs (0.12 kg)	100
2"	0.45 lbs (0.20 kg)	100
2 ½"	0.70 lbs (0.32 kg)	50



304LFW ALL STAINLESS FRONT FLANGE PANEL MOUNT

Heavy duty, all stainless steel gauge with welded case-to-stem connection

Stainless steel case and bezel, 316 stainless steel internals

Glycerine filled for added durability in applications where vibration or pulsation is present

SPECIFICATIONS

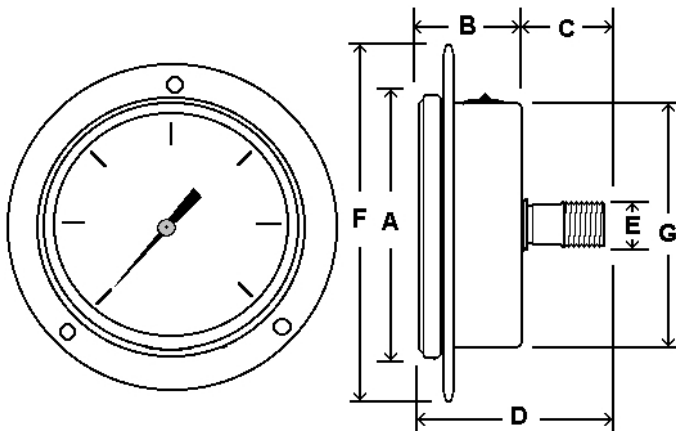
Dial	1 ½" (40 mm), 2" (50 mm), 2 ½" (63 mm), 4" (100 mm) - See 314D page 42 6" (150 mm) - See 6004 page 55
Case	Stainless steel, glycerine filled (available dry) Welded case-to-stem connection
Wetted Parts	316 stainless steel
Bezel	Stainless steel, fixed
Lens	Polycarbonate
Pointer	Black aluminum
Connection	Center back mount with front flange 1 ½" dial = ⅛" NPT 2" dial = ⅛" or ¼" NPT 2 ½" dial = ¼" NPT
Scale	Standard: psi/BAR (x 100 = kPa)
Accuracy	3-2-3% of span 1 ½" & 2" ASME B40.1 Grade B 2-1-2% of span 2 ½" ASME B40.1 Grade A
Ambient Temp	Glycerine Filled = 30° F to 160° F Dry = -30° F to 180° F



AVAILABLE OPTIONS*

- Certificate of Accuracy, NIST traceable
- Custom Dial
- Liquid Fill Options, see page 176
- Anti-Vibration Movement, see p. 107
- Dry, Fillable Case
- Glass Lens
- Cleaned for Oxygen Service (dry only)
- Special Connection Size
- Single Scale
- Max/Min Pointer, see p. 118

Design meets or exceeds ASME B40.100 pressure gauge standard.



*Lead times/minimums may apply

APPROXIMATE SHIPPING WEIGHTS/ BOX QUANTITIES

Dial Size	Est. Unit Weight	Box Qty
1 ½"	0.25 lbs (0.10 kg)	upon request
2"	0.40 lbs (0.18 kg)	upon request
2 ½"	0.65 lbs (0.30 kg)	upon request

Dial	Unit	A	B	C	D	E	F	G
1 ½"	In.	1.83"	1.01"	0.89"	1.90"	⅛"	2.46"	1.61"
	mm	46	26	23	48	NPT	63	41
2"	In.	2.25"	1.17"	1.00"	2.17"	⅛" or ¼"	2.81"	2.03"
	mm	57	30	25	55		71	52
2 ½"	In.	2.71"	1.40"	1.31"	2.71"	¼"	3.46"	2.49"
	mm	69	36	33	69	NPT	88	63

For complete flange dimensions, see page 123.

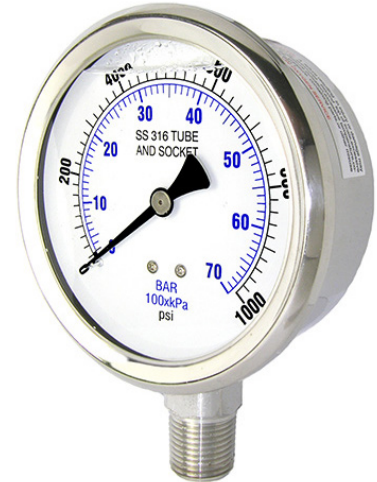
301L 4" ALL STAINLESS LOWER MOUNT



Heavy duty, all stainless steel gauge
Stainless steel case and bezel, 316 stainless steel internals
Glycerine filled for added durability in applications where vibration or pulsation is present

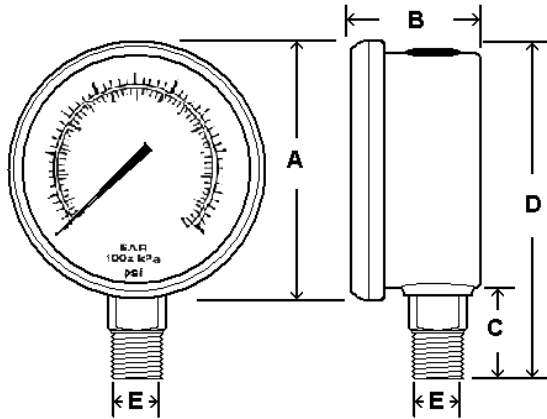
SPECIFICATIONS

Dial	4" (100 mm)
Case	Stainless steel, glycerine filled (available dry)
Wetted Parts	316 stainless steel
Bezel	Stainless steel, fixed
Lens	Polycarbonate
Pointer	Black aluminum
Connection	Lower mount
	4" dial = 1/4" or 1/2" NPT
Scale	Standard: psi/BAR (x 100 = kPa)
Accuracy	2-1-2% of span ASME B40.1 Grade A
Ambient Temp	Glycerine Filled = 30° F to 160° F
	Dry = -30° F to 180° F



3

Design meets or exceeds ASME B40.100 pressure gauge standard.



Dial	Unit	A	B	C	D	E
4"	In.	4.30"	1.74"	1.19"	5.26"	1/4" or 1/2"
	mm	109	44	30	134	NPT

NOTE: Because of continuing improvements, increments/specifications are subject to change without notice. Stock ranges vary by dial size and configuration. Consult PIC Gauges for availability.

AVAILABLE OPTIONS*

- Certificate of Accuracy, NIST traceable
- Custom Dial
- Liquid Fill Options, see page 173
- Anti-Vibration Movement, see page 107
- Dry, Fillable Case
- Glass Lens
- Cleaned for Oxygen Service (dry only)
- Special Connection Size
- Protective Rubber Cover, see page 119
- Single Scale
- Max/Min Pointer, see page 120

*Lead times/minimums may apply

APPROXIMATE SHIPPING WEIGHTS/ BOX QUANTITIES

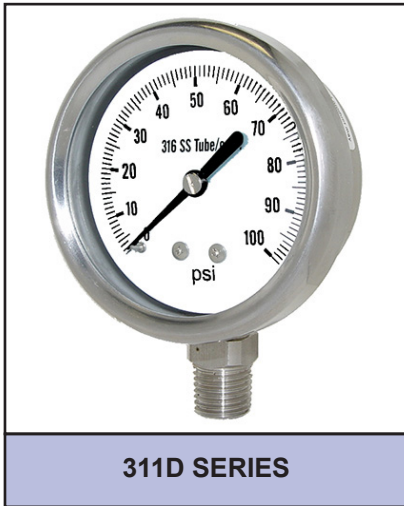
Dial Size	Est. Unit Weight	Box Qty
4"	1.55 lbs (0.70 kg)	30

STANDARD DIAL CONFIGURATIONS FOR 300 SERIES - 4" DIALS

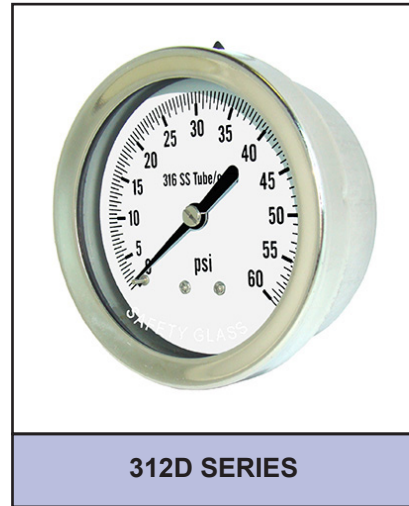
Dial Range	Figure Intervals	Graduation Intervals	Dial Range	Figure Intervals	Graduation Intervals	Dial Range	Figure Intervals	Graduation Intervals
30/0"hg Vac	5" hg	0.5" hg	0/30 psi	5 psi	0.5 psi	0/1000 psi	200 psi	20 psi
30/0/15 psi	10" hg/5 psi	1" hg/0.5 psi	0/60 psi	10 psi	0.5 psi	0/1500 psi	200 psi	20 psi
30/0/30 psi	10" hg/5psi	1" hg/0.5 psi	0/100 psi	20 psi	2 psi	0/2000 psi	400 psi	40 psi
30/0/60 psi	30" hg/10psi	2" hg/1 psi	0/160 psi	20 psi	2 psi	0/3000 psi	500 psi	50 psi
30/0/100 psi	30" hg/20psi	5" hg/2 psi	0/200 psi	40 psi	5 psi	0/5000 psi	1000 psi	100 psi
30/0/150 psi	30" hg/30psi	5" hg/2 psi	0/300 psi	50 psi	5 psi	0/10,000 psi	2000 psi	200 psi
30/0/300 psi	30" hg/50psi	10" hg/5psi	0/400 psi	50 psi	5 psi	0/15,000 psi	2000 psi	200 psi
0/15 psi	2 psi	0.1 psi	0/600 psi	100 psi	10 psi			

Heavy duty, all stainless steel gauge with removable bezel, adjustable pointer
 1% accuracy, welded case-to-stem connection, dry yet fillable

3



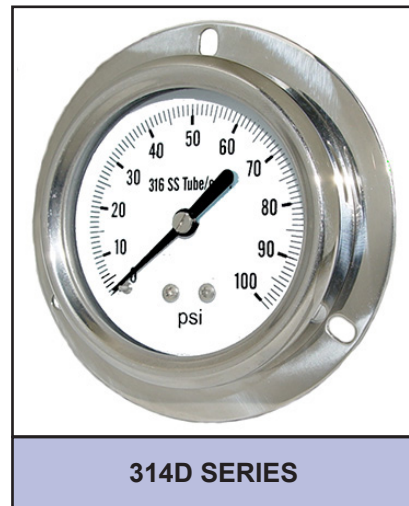
311D SERIES



312D SERIES



313D SERIES



314D SERIES

STANDARD DIAL CONFIGURATIONS FOR 310 SERIES

Dial Range	Figure Intervals	Graduation Intervals	Dial Range	Figure Intervals	Graduation Intervals	Dial Range	Figure Intervals	Graduation Intervals
30/0"hg Vac	5" hg	0.5" hg	0/60 psi	5 psi	0.5 psi	0/1000 psi	100 psi	10 psi
30/0/15 psi	10" hg/5 psi	1" hg/0.5 psi	0/100 psi	10 psi	1 psi	0/1500 psi	200 psi	10 psi
30/0/30 psi	10" hg/5 psi	1" hg/0.5 psi	0/160 psi	20 psi	2 psi	0/2000 psi	200 psi	20 psi
30/0/60 psi	10" hg/10psi	2" hg/1 psi	0/200 psi	20 psi	2 psi	0/3000 psi	500 psi	20 psi
30/0/100 psi	30" hg/10psi	2" hg/1 psi	0/300 psi	30 psi	2 psi	0/5000 psi	500 psi	50 psi
30/0/150 psi	30" hg/20psi	10" hg/2 psi	0/400 psi	50 psi	5 psi	0/6000 psi	500 psi	50 psi
30/0/300 psi	30" hg/50psi	10" hg/2 psi	0/600 psi	50 psi	5 psi	0/10,000 psi	1000 psi	100 psi
0/15 psi	2 psi	0.1 psi	0/800 psi	100 psi	10 psi	0/15,000 psi	3000 psi	100 psi
0/30 psi	3 psi	0.2 psi						

NOTE: Because of continuing improvements, increments/specifications are subject to change without notice. Stock ranges vary by dial size and configuration. Consult PIC Gauges for availability.

311D ALL STAINLESS STEEL LOWER MOUNT

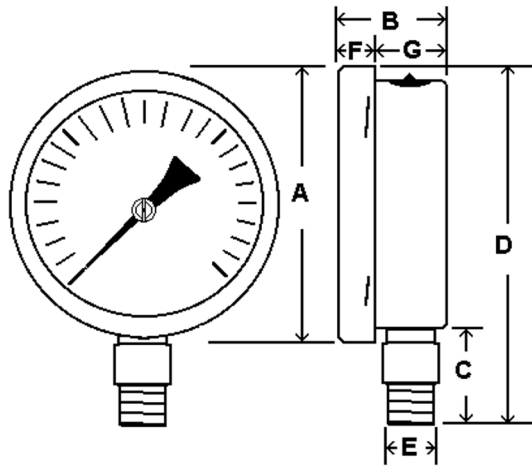


Heavy duty, all stainless steel gauge with removable bezel, adjustable pointer
1% accuracy, welded case-to-stem connection, dry yet fillable

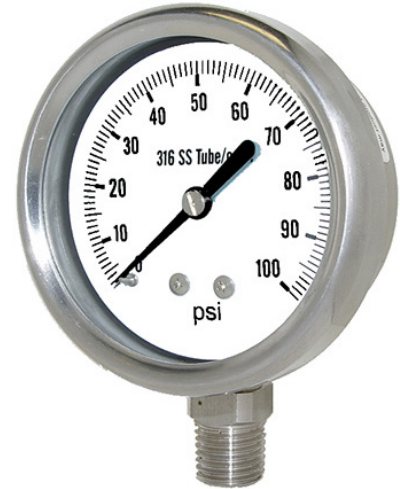
SPECIFICATIONS

Dial	2 ½" (63 mm), 4" (100 mm) - See 4001 page 50 6" (150 mm) - See 6001 page 53 4 ½", 8" and 10" available special order
Case	Stainless steel, dry yet fillable Welded case-to-stem connection
Wetted Parts	316 stainless steel
Bezel	Removable, stainless steel
Lens	Laminated safety glass
Pointer	Adjustable, black aluminum
Connection	Lower mount 2 ½" dial = ¼" NPT
Scale	Standard: single scale psi
Accuracy	1% of span ASME B40.1 Grade 1A
Ambient Temp	Dry = -30° F to 180° F Glycerine Filled = 30° F to 160° F

Design meets or exceeds ASME B40.100 pressure gauge standard.



Dial	Unit	A	B	C	D	E	F	G
2 ½"	In.	2.75"	1.30"	0.91"	3.50"	¼"	0.51"	0.79"
	mm	70	33	23	89	NPT	13	20



3

AVAILABLE OPTIONS*

- Certificate of Accuracy, NIST traceable
- Custom Dial
- Liquid Fill Options, see page 173
- Anti-Vibration Movement, see page 107
- Cleaned for Oxygen Service (dry only)
- Special Connection Size
- Protective Rubber Cover, see page 119
- Plastic Lens
- Dual Scale
- Max/Min Pointer, see page 120

*Lead times/minimums may apply

APPROXIMATE SHIPPING WEIGHTS/ BOX QUANTITIES

Dial Size	Est. Unit Weight	Box Qty
2 ½"	0.35 lbs (0.16 kg)	50



312D ALL STAINLESS STEEL LOWER BACK MOUNT

Heavy duty, all stainless steel gauge with removable bezel, adjustable pointer
 1% accuracy, welded case-to-stem connection, dry yet fillable

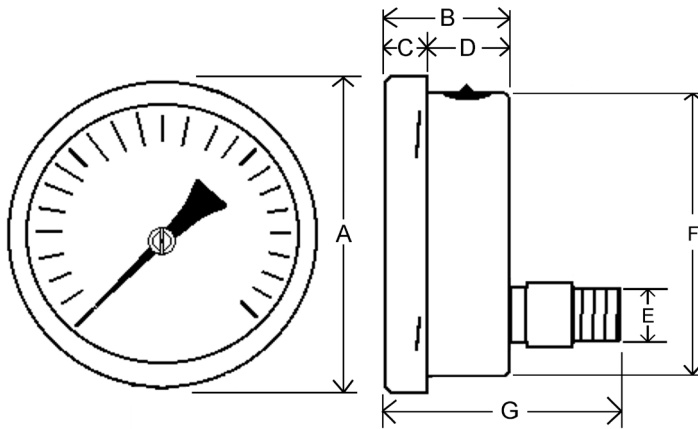
SPECIFICATIONS

Dial	2 ½" (63 mm), 4" (100 mm) 6" (150 mm) - See 6002 page 54
Case	Stainless steel, dry yet fillable Welded case-to-stem connection
Wetted Parts	316 stainless steel
Bezel	Removable, stainless steel
Lens	Laminated safety glass
Pointer	Adjustable, black aluminum
Connection	Lower back mount 2 ½" dial = ¼" NPT 4" dial = ¼" or ½" NPT
Scale	Standard: single scale psi
Accuracy	1% of span ASME B40.1 Grade 1A
Ambient Temp	Dry = -30° F to 180° F Glycerine Filled = 30° F to 160° F

3



Design meets or exceeds ASME B40.100 pressure gauge standard.



Dial	Unit	A	B	C	D	E	F	G
2 ½"	In.	2.71"	1.26"	0.41"	0.85"	¼" NPT	2.47"	2.24"
	mm	69	32	10	22		63	57
4"	In.	4.00"	1.93"	0.71"	1.22"	¼" or ½" NPT	3.87"	3.39"
	mm	100	49	18	31		98	86

AVAILABLE OPTIONS*

- Certificate of Accuracy, NIST traceable
- Custom Dial
- Liquid Fill Options, see page 173
- Anti-Vibration Movement, see page 107
- Cleaned for Oxygen Service (dry only)
- Special Connection Size
- Protective Rubber Cover, see page 119
- Plastic Lens
- Dual Scale
- Max/Min Pointer, see page 120

*Lead times/minimums may apply

APPROXIMATE SHIPPING WEIGHTS/ BOX QUANTITIES

Dial Size	Est. Unit Weight	Box Qty
2 ½"	0.35 lbs (0.16 kg)	50
4"	1.10 lbs (0.50 kg)	8

313D ALL STAINLESS CLAMP-RING PANEL MOUNT



Heavy duty, all stainless steel gauge with removable bezel, adjustable pointer
1% accuracy, welded case-to-stem connection, dry yet fillable

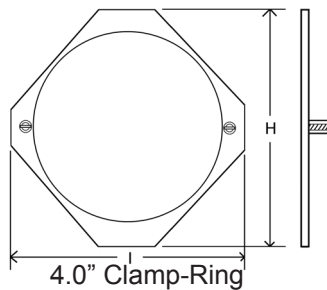
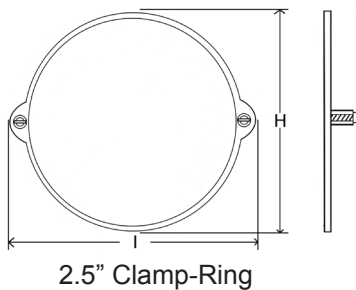
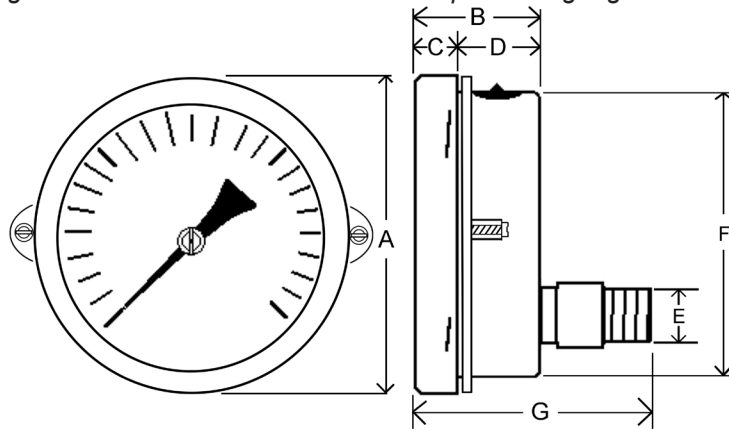
SPECIFICATIONS

Dial	2 1/2" (63 mm), 4" (100 mm)
Case	Stainless steel, dry yet fillable Welded case-to-stem connection
Wetted Parts	316 stainless steel
Bezel	Removable, stainless steel
Lens	Laminated safety glass
Pointer	Adjustable, black aluminum
Connection	Lower back mount with clamp-ring 2 1/2" dial = 1/4" NPT 4" dial = 1/4" or 1/2" NPT
Scale	Standard: single scale psi
Accuracy	1% of span ASME B40.1 Grade 1A
Ambient Temp	Dry = -30° F to 180° F Glycerine Filled = 30° F to 160° F



3

Design meets or exceeds ASME B40.100 pressure gauge standard.



AVAILABLE OPTIONS*

- Certificate of Accuracy, NIST traceable
- Custom Dial
- Liquid Fill Options, see page 173
- Anti-Vibration Movement, see page 107
- Cleaned for Oxygen Service (dry only)
- Special Connection Size
- Plastic Lens
- Dual Scale
- Max/Min Pointer, see page 120

*Lead times/minimums may apply

APPROXIMATE SHIPPING WEIGHTS/ BOX QUANTITIES

Dial Size	Est. Unit Weight	Box Qty
2 1/2"	0.60 lbs (0.26 kg)	50
4"	1.20 lbs (0.54 kg)	8

Dial	Unit	A	B	C	D	E	F	G	H	I
2 1/2"	In.	2.71"	1.26"	0.41"	0.85"	1/4" NPT	2.47"	2.24"	2.65"	3.23"
	mm	69	32	10	22		63	57	67	82
4"	In.	4.00"	1.93"	0.71"	1.22"	1/4" or 1/2"	3.87"	3.39"	5.13"	5.13"
	mm	100	49	18	31		98	86	130	130



314D ALL STAINLESS STEEL FRONT FLANGE PANEL MOUNT

Heavy duty, all stainless steel gauge with removable bezel, adjustable pointer
1% accuracy, welded case-to-stem connection, dry yet fillable

SPECIFICATIONS

Dial	2 1/2" (63 mm), 4" (100 mm), 6" (150 mm) - See 6004 page 55
Case	Stainless steel, dry yet fillable Welded case-to-stem connection
Wetted Parts	316 stainless steel
Bezel	Removable, stainless steel
Lens	Laminated safety glass
Pointer	Adjustable, black aluminum
Connection	Lower back mount with front flange 2 1/2" dial = 1/4" NPT 4" dial = 1/4" or 1/2" NPT
Scale	Standard: single scale psi
Accuracy	1% of span ASME B40.1 Grade 1A
Ambient Temp	Dry = -30° F to 180° F Glycerine Filled = 30° F to 160° F

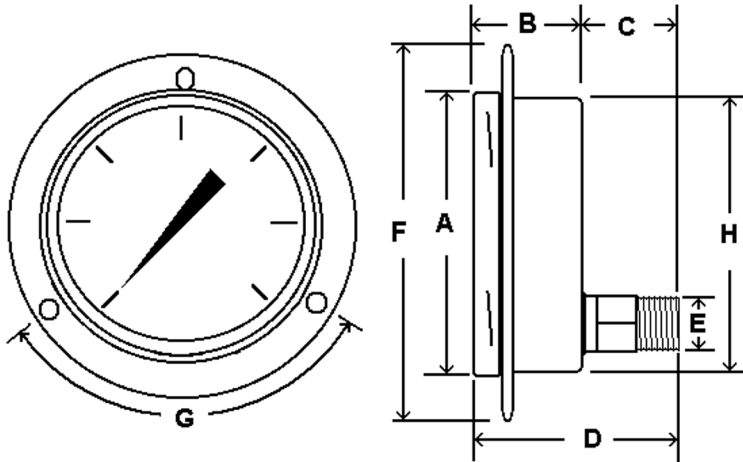


AVAILABLE OPTIONS*

- Certificate of Accuracy, NIST traceable
- Custom Dial
- Liquid Fill Options, see page 173
- Anti-Vibration Movement, see page 107
- Cleaned for Oxygen Service (dry only)
- Special Connection Size
- Plastic Lens
- Dual Scale
- Max/Min Pointer, see page 120

*Lead times/minimums may apply

Design meets or exceeds ASME B40.100 pressure gauge standard.



APPROXIMATE SHIPPING WEIGHTS/ BOX QUANTITIES

Dial Size	Est. Unit Weight	Box Qty
2 1/2"	0.60 lbs (0.26 kg)	50
4"	1.20 lbs (0.54 kg)	8

Dial	Unit	A	B	C	D	E	F	H
2 1/2"	In.	2.71"	1.23"	1.00"	2.23"	1/4"	3.45"	2.45"
	mm	69	31	25	57	NPT	88	62
4"	In.	4.03"	1.97"	1.48"	3.45"	1/4" or	5.22"	3.86"
	mm	102	50	38	88	1/2"	133	98

G Dimensions (Screw Holes)				
Dial	Arc	Unit	Distance from ctr	Size (oblong)
2 1/2"	120°	In.	1.58"	0.18" x 0.25"
		mm	40	4.5 x 6.5
4"	120°	In.	2.25"	0.18" (round)
		mm	57.3	4.5 (round)

For complete flange dimensions, see page 121.

S301L HEAVY DUTY 4" ALL STAINLESS LOWER MOUNT

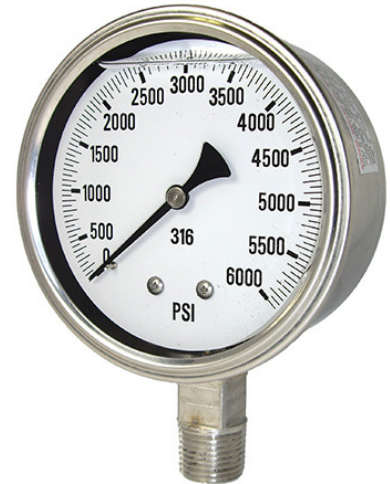


Heavy duty, all stainless steel gauge with welded case-to-stem connection
 Stainless steel case and bezel, 316 stainless steel internals
 Glycerine filled for added durability in applications where vibration or pulsation is present

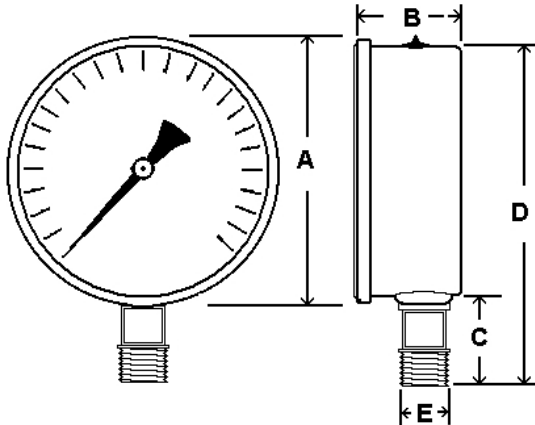
SPECIFICATIONS

Dial	4" (100 mm)
Case	Stainless steel, glycerine filled
Wetted Parts	316 stainless steel
Bezel	Stainless steel, fixed
Lens	Polycarbonate
Pointer	Black aluminum
Connection	Lower mount 4" dial = 1/4" or 1/2" NPT
Scale	Standard: single scale psi
Accuracy	1% of span ASME B40.1 Grade 1A
Ambient Temp	Glycerine Filled = 30° F to 160° F Dry = -30° F to 180° F

Design meets or exceeds ASME B40.100 pressure gauge standard.



3



Dial	Unit	A	B	C	D	E
4"	In.	4.07"	1.94"	1.46"	5.32"	1/4" or
	mm	103	49	37	135	1/2" NPT

AVAILABLE OPTIONS*

- Certificate of Accuracy, NIST traceable
- Custom Dial
- Liquid Fill Options, see page 174
- Anti-Vibration Movement, see page 107
- Cleaned for Oxygen Service (dry only)
- Special Connection Size
- Protective Rubber Cover, see page 119
- Max/Min Pointer, see page 120

*Lead times/minimums may apply

APPROXIMATE SHIPPING WEIGHTS/ BOX QUANTITIES

Dial Size	Est. Unit Weight	Box Qty
4"	1.55 lbs (0.70 kg)	20

STANDARD DIAL CONFIGURATIONS

Dial Range	Figure Intervals	Graduation Intervals	Dial Range	Figure Intervals	Graduation Intervals
30/0"hg Vac	3" hg	0.2" hg	0/600 psi	50 psi	5 psi
0/15 psi	1 psi	0.1 psi	0/1000 psi	100 psi	10 psi
0/30 psi	3 psi	0.2 psi	0/1500 psi	200 psi	10 psi
0/60 psi	5 psi	0.5 psi	0/2000 psi	200 psi	20 psi
0/100 psi	10 psi	1 psi	0/3000 psi	500 psi	20 psi
0/160 psi	20 psi	2 psi	0/5000 psi	500 psi	50 psi
0/200 psi	20 psi	2 psi	0/6000 psi	500 psi	50 psi
0/300 psi	30 psi	2 psi	0/10,000 psi	1000 psi	100 psi
0/400 psi	50 psi	5 psi	0/15,000 psi	3,000 psi	100 psi

NOTE: Because of continuing improvements, increments/specifications are subject to change without notice. Stock ranges vary by dial size and configuration. Consult PIC Gauges for availability.



SEC-300LFW SERIES ALL STAINLESS STEEL

All stainless steel gauge with welded case-to-stem connection

Stainless steel case and bezel, 316 stainless steel internals

Glycerine filled for added durability in applications where vibration or pulsation is present

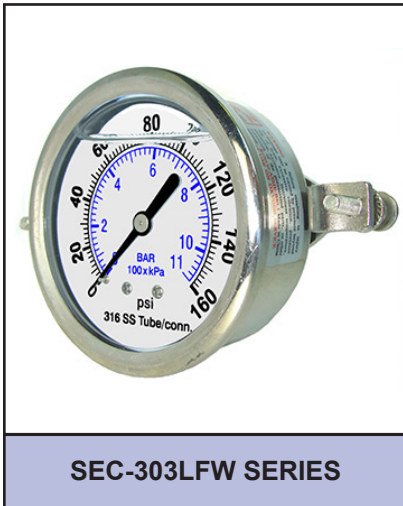
3



SEC-301LFW SERIES



SEC-302LFW SERIES



SEC-303LFW SERIES



SEC-304LFW SERIES

STANDARD DIAL CONFIGURATIONS FOR SEC-300LFW SERIES

Dial Range	Figure Intervals	Graduation Intervals	Dial Range	Figure Intervals	Graduation Intervals	Dial Range	Figure Intervals	Graduation Intervals
30/0"hg Vac	5" hg	0.5" hg	0/100 psi	20 psi	2 psi	0/1000 psi	200 psi	10 psi
30/0/30 psi	10" hg/10psi	1" hg/1 psi	0/160 psi	20 psi	2 psi	0/2000 psi	400 psi	50 psi
30/0/150 psi	10" hg/30psi	1" hg/2 psi	0/200 psi	40 psi	5 psi	0/3000 psi	500 psi	50 psi
0/15 psi	3 psi	0.2 psi	0/300 psi	50 psi	5 psi	0/5000 psi	1000 psi	100 psi
0/30 psi	5 psi	0.5 psi	0/400 psi	100 psi	10 psi	0/10,000 psi	2000 psi	200 psi
0/60 psi	10 psi	1 psi	0/600 psi	100 psi	10 psi			

NOTE: Because of continuing improvements, increments/specifications are subject to change without notice. Stock ranges vary by dial size and configuration. Consult PIC Gauges for availability.

SEC-301LFW ALL STAINLESS LOWER MOUNT



All stainless steel gauge with welded case-to-stem connection
 Stainless steel case and bezel, 316 stainless steel internals
 Glycerine filled for added durability in applications where vibration or pulsation is present

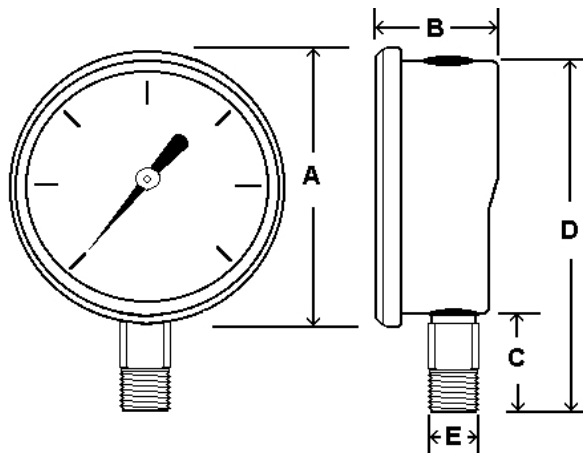
SPECIFICATIONS

Dial	2 1/2" (63 mm)
Case	Stainless steel, glycerine filled Welded case-to-stem connection
Wetted Parts	316 stainless steel
Bezel	Stainless steel, fixed
Lens	Polycarbonate
Pointer	Black aluminum
Connection	Lower mount 2 1/2" dial = 1/4" NPT
Scale	Standard: psi/BAR (x 100 = kPa)
Accuracy	3-2-3% of span ASME B40.1 Grade B
Ambient Temp	Glycerine Filled = 30° F to 160° F Dry = -30° F to 180° F

Design meets or exceeds ASME B40.100 pressure gauge standard.



3



Dial	Unit	A	B	C	D	E
2 1/2"	In.	2.80"	1.37"	0.93"	3.40"	1/4" NPT
	mm	71	35	24	86	

AVAILABLE OPTIONS*

- Certificate of Accuracy, NIST traceable
- Custom Dial
- Liquid Fill Options, see page 173
- Anti-Vibration Movement, see page 107
- Dry, Fillable Case
- Glass Lens
- Special Connection Size
- Protective Rubber Cover, see page 119
- Max/Min Pointer, see page 120

*Lead times/minimums may apply

APPROXIMATE SHIPPING WEIGHTS/ BOX QUANTITIES

Dial Size	Est. Unit Weight	Box Qty
2 1/2"	0.50 lbs (0.22 kg)	50



SEC-302LFW ALL STAINLESS CENTER BACK MOUNT

All stainless steel gauge with welded case-to-stem connection

Stainless steel case and bezel, 316 stainless steel internals

Glycerine filled for added durability in applications where vibration or pulsation is present

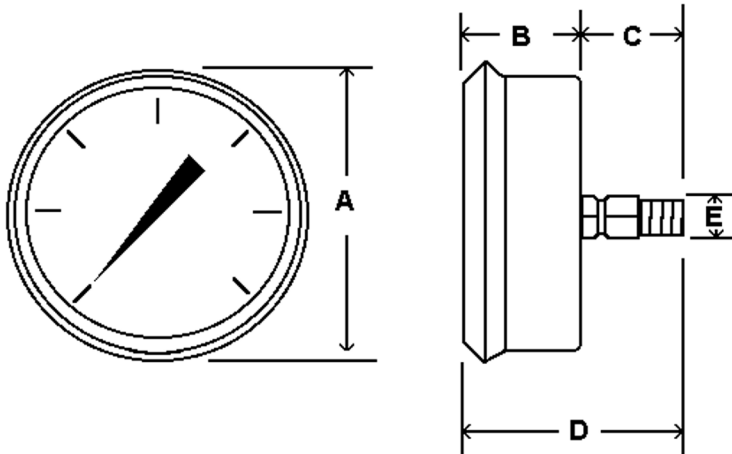
SPECIFICATIONS

Dial	2 1/2" (63 mm)
Case	Stainless steel, glycerine filled Welded case-to-stem connection
Wetted Parts	316 stainless steel
Bezel	Stainless steel, fixed
Lens	Polycarbonate
Pointer	Black aluminum
Connection	Center back mount 2 1/2" dial = 1/4" NPT
Scale	Standard: psi/BAR (x 100 = kPa)
Accuracy	3-2-3% of span ASME B40.1 Grade B
Ambient Temp	Glycerine Filled = 30° F to 160° F Dry = -30° F to 180° F

3



Design meets or exceeds ASME B40.100 pressure gauge standard.



Dial	Unit	A	B	C	D	E
2 1/2"	In.	2.67"	1.17"	1.08"	2.19"	1/4"
	mm	68	30	28	56	NPT

AVAILABLE OPTIONS*

- Certificate of Accuracy, NIST traceable
- Custom Dial
- Liquid Fill Options, see page 173
- Anti-Vibration Movement, see page 107
- Dry, Fillable Case
- Glass Lens
- Special Connection Size
- Protective Rubber Cover, see page 119
- Max/Min Pointer, see page 120

*Lead times/minimums may apply

APPROXIMATE SHIPPING WEIGHTS/ BOX QUANTITIES

Dial Size	Est. Unit Weight	Box Qty
2 1/2"	0.45 lbs (0.22 kg)	50

SEC-303LFW ALL STAINLESS U-CLAMP PANEL MOUNT



All stainless steel gauge with welded case-to-stem connection
 Stainless steel case and bezel, 316 stainless steel internals
 Glycerine filled for added durability in applications where vibration or pulsation is present

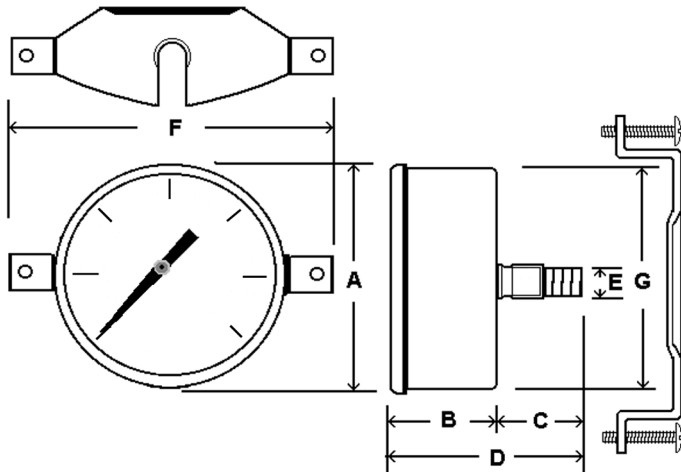
SPECIFICATIONS

Dial	2 ½" (63 mm)
Case	Stainless steel, glycerine filled Welded case-to-stem connection
Wetted Parts	316 stainless steel
Bezel	Stainless steel, fixed
Lens	Polycarbonate
Pointer	Black aluminum
Connection	Center back mount with u-clamp 2 ½" dial = ¼" NPT
Scale	Standard: psi/BAR (x 100 = kPa)
Accuracy	3-2-3% of span ASME B40.1 Grade B
Ambient Temp	Glycerine Filled = 30° F to 160° F Dry = -30° F to 180° F



3

Design meets or exceeds ASME B40.100 pressure gauge standard.



AVAILABLE OPTIONS*

- Certificate of Accuracy, NIST traceable
- Custom Dial
- Liquid Fill Options, see page 173
- Anti-Vibration Movement, see page 107
- Dry, Fillable Case
- Glass Lens
- Special Connection Size
- Max/Min Pointer, see page 120

*Lead times/minimums may apply

APPROXIMATE SHIPPING WEIGHTS/ BOX QUANTITIES

Dial	Unit	A	B	C	D	E	F	G
2 ½"	In.	2.67"	1.17"	1.08"	2.19"	¼"	3.84"	2.45"
	mm	68	30	28	56	NPT	98	62

Dial Size	Est. Unit Weight	Box Qty
2 ½"	0.55 lbs (0.26 kg)	50



SEC-304LFW ALL STAINLESS FRONT FLANGE PANEL MOUNT

All stainless steel gauge with welded case-to-stem connection

Stainless steel case and bezel, 316 stainless steel internals

Glycerine filled for added durability in applications where vibration or pulsation is present

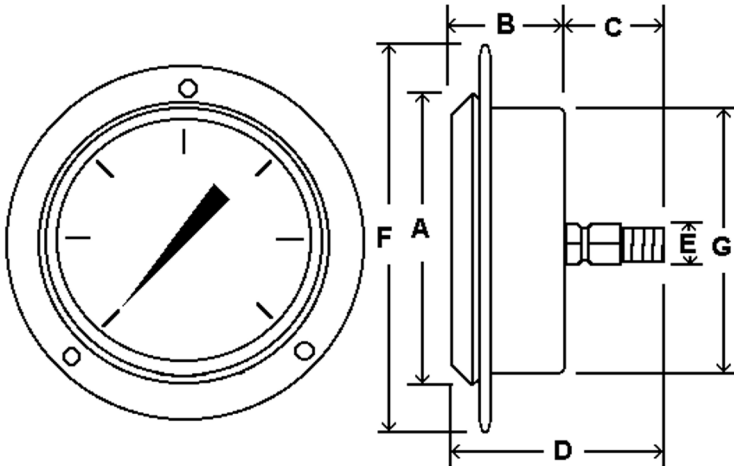
SPECIFICATIONS

Dial	2 ½" (63 mm)
Case	Stainless steel, glycerine filled Welded case-to-stem connection
Wetted Parts	316 stainless steel
Bezel	Stainless steel, fixed
Lens	Polycarbonate
Pointer	Black aluminum
Connection	Center back mount with front flange 2 ½" dial = ¼" NPT
Scale	Standard: psi/BAR (x 100 = kPa)
Accuracy	3-2-3% of span ASME B40.1 Grade B
Ambient Temp	Glycerine Filled = 30° F to 160° F Dry = -30° F to 180° F

3



Design meets or exceeds ASME B40.100 pressure gauge standard.



Dial	Unit	A	B	C	D	E	F	G
2 ½"	In.	2.67"	1.17"	1.08"	2.19"	¼"	3.46"	2.45"
	mm	68	30	28	56	NPT	88	62

For complete flange dimensions, see page 121.

AVAILABLE OPTIONS*

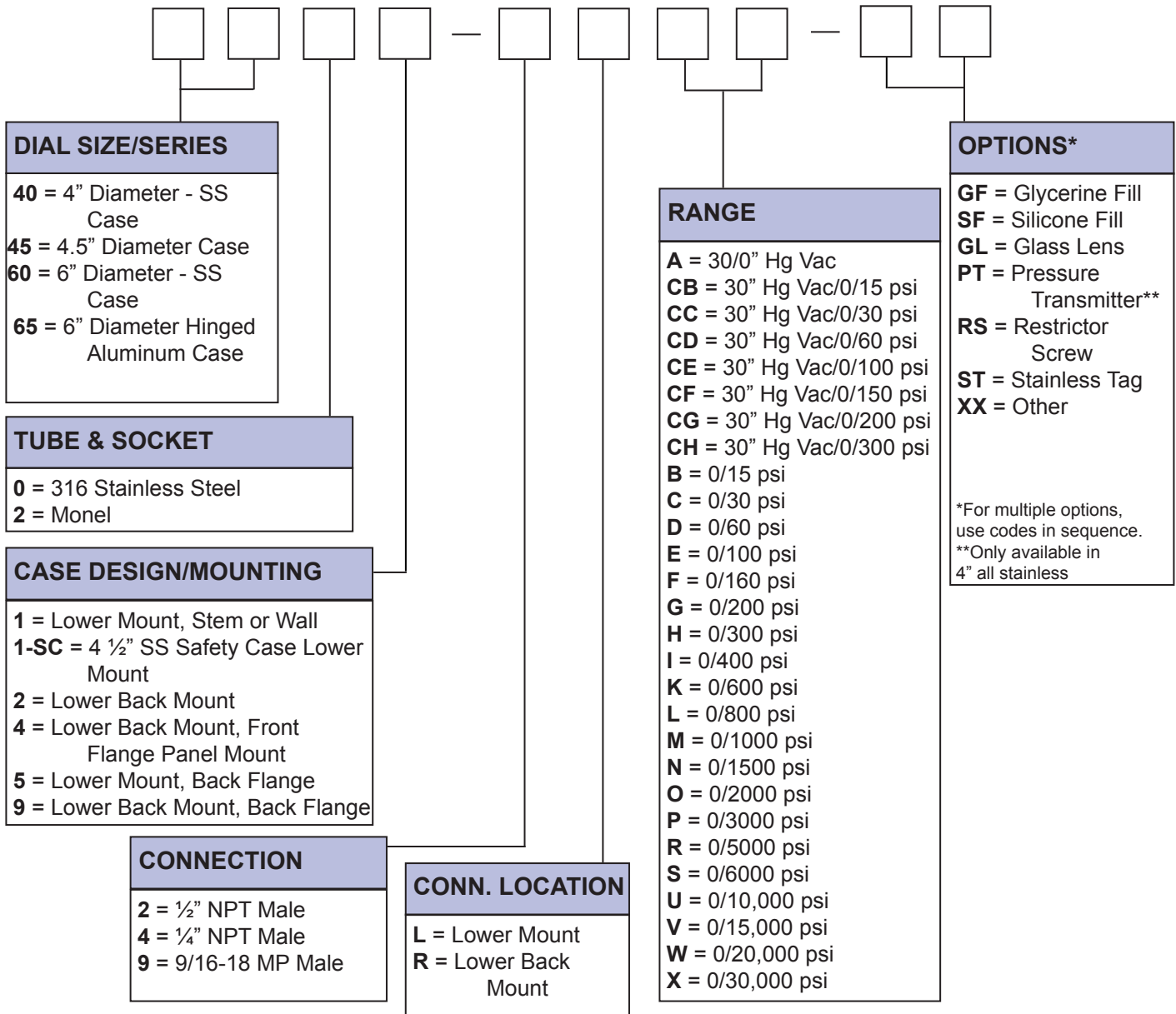
- Certificate of Accuracy, NIST traceable
- Custom Dial
- Liquid Fill Options, see page 173
- Anti-Vibration Movement, see page 107
- Dry, Fillable Case
- Glass Lens
- Special Connection Size
- Max/Min Pointer, see page 120

*Lead times/minimums may apply

APPROXIMATE SHIPPING WEIGHTS/ BOX QUANTITIES

Dial Size	Est. Unit Weight	Box Qty
2 ½"	0.50 lbs (0.24 kg)	50

HEAVY DUTY GAUGE PART NUMBERING SYSTEM



4

EXAMPLE: "4501-4LE-GF"

- 45 = 4 1/2" Diameter Dial Size
- 0 = 316 Stainless Steel Tube & Socket
- 1 = Lower Mount
- 4 = 1/4" NPT male
- L = Lower Mount
- E = 0/100 psi
- GF = Glycerine Fill



4001 4" HEAVY DUTY ALL STAINLESS STEEL

Heavy duty, all stainless steel gauge with removable bezel, adjustable pointer
1% accuracy, welded case-to-stem connection, dry yet fillable

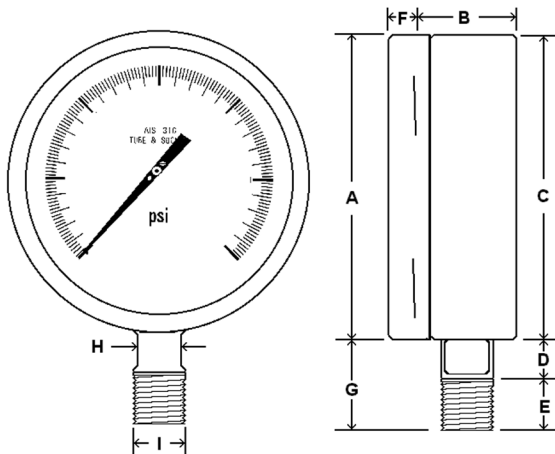
SPECIFICATIONS

Dial	4" (100 mm)
Case	Stainless steel, dry yet fillable Welded case-to-stem connection
Wetted Parts	316 stainless steel
Movement	With overload/underload stops
Bezel	Removable, stainless steel
Lens	Laminated safety glass
Pointer	Adjustable, black aluminum
Connection	Lower mount 1/4" or 1/2" NPT
Scale	Standard: single scale psi
Accuracy	1% of span ASME B40.1 Grade 1A
Ambient Temp	Dry = -30° F to 180° F Glycerine Filled = 30° F to 160° F



4

Design meets or exceeds ASME B40.100 pressure gauge standard.



AVAILABLE OPTIONS*

- Certificate of Accuracy, NIST traceable
 - Custom Dial
 - Liquid Fill Options, see page 173
 - High Pressure Connection - 9/16" HPM
- See 4001-9/16 page 51
 - Special Connection Size
 - Knife-edge pointer
 - Protective Rubber Cover, see page 119
 - Max/Min Pointer, see page 120
 - 0.5% Accuracy Available
- *Lead times/minimums may apply

APPROXIMATE SHIPPING WEIGHTS/ BOX QUANTITIES

Dial	Unit	A	B	C	D	E	F	G	H	I (=NPT)	Dial Size	Est. Unit Wt.	Box Qty
4"	In.	4.02"	1.93"	3.87"	0.70"	0.74"	0.66"	1.38"	0.68"	1/4" or 1/2"	4"	1 lb/0.48 kg	15
	mm	102	49	99	18	19	17	35	17				

STANDARD DIAL CONFIGURATIONS FOR 4001 SERIES

Dial Range	Figure Intervals	Graduation Intervals	Dial Range	Figure Intervals	Graduation Intervals	Dial Range	Figure Intervals	Graduation Intervals
30/0"hg Vac	3" hg	0.2" hg	0/60 psi	5 psi	0.5 psi	0/2000 psi	200 psi	20 psi
30/0/15 psi	5" hg/3 psi	0.5"hg/.2 psi	0/100 psi	10 psi	1 psi	0/3000 psi	500 psi	20 psi
30/0/30 psi	10" hg/5psi	1" hg/.5 psi	0/160 psi	20 psi	2 psi	0/5000 psi	500 psi	50 psi
30/0/60 psi	10" hg/5psi	1" hg/.5 psi	0/200 psi	20 psi	2 psi	0/6000 psi	500 psi	50 psi
30/0/100 psi	30" hg/10psi	2" hg/1 psi	0/300 psi	30 psi	2 psi	0/10,000 psi	1000 psi	100 psi
30/0/150 psi	30" hg/20psi	5" hg/2 psi	0/400 psi	50 psi	5 psi	0/15,000 psi	3000 psi	100 psi
30/0/300 psi	30" hg/50psi	5" hg/2 psi	0/600 psi	50 psi	5 psi	0/20,000 psi	2000 psi	200 psi
0/15 psi	1 psi	0.1 psi	0/1000 psi	100 psi	10 psi			
0/30 psi	3 psi	0.2 psi	0/1500 psi	200 psi	10 psi			

NOTE: Because of continuing improvements, specifications are subject to change without notice. Stock ranges vary by dial size and configuration. Consult PIC Gauges for availability.

4001 9/16" HIGH PRESSURE CONNECTION

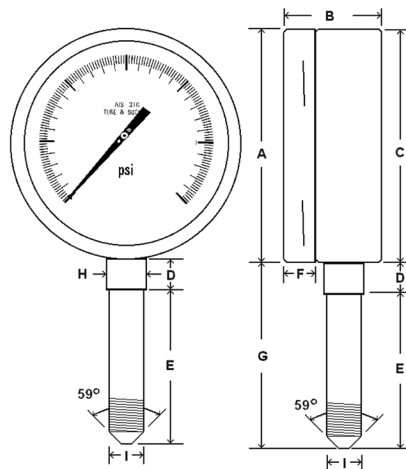


Heavy duty, all stainless steel gauge with removable bezel, adjustable pointer
 1% accuracy, welded case-to-stem connection, dry yet fillable
 9/16" HPM connection, Ranges 10,000 psi, 15,000 psi, 20,000 psi, 30,000 psi

SPECIFICATIONS

Dial	4" (100 mm)
Case	Stainless steel, dry yet fillable Welded case-to-stem connection
Wetted Parts	316 stainless steel
Movement	With overload/underload stops
Bezel	Removable, stainless steel,
Lens	Laminated safety glass
Pointer	Adjustable, black aluminum
Connection	Lower mount 9/16-18" High Pressure Male
Scale	Standard: single scale psi
Accuracy	1% of span ASME B40.1 Grade 1A
Ambient Temp	Dry = -30° F to 180° F Glycerine Filled = 30° F to 160° F

Design meets or exceeds ASME B40.100 pressure gauge standard.



Dial	Unit	A	B	C	D	E	F	G	H	Thread
4"	In.	4.00"	1.97"	3.87"	0.81"	2.45"	0.66"	3.26"	0.68"	9/16-18
	mm	100	50	99	21	62	17	83	17	MP Male

AVAILABLE OPTIONS*

- Certificate of Accuracy, NIST traceable
- Custom Dial
- Liquid Fill Options, see page 173
- Cleaned for Oxygen Service (dry only)
- Knife-edge pointer
- Protective Rubber Cover, see page 119
- With Gland/Collar
- Max/Min Pointer, see page 120
- 0.5% Accuracy Available

*Lead times/minimums may apply

APPROXIMATE SHIPPING WEIGHTS/BOX QUANTITIES

Dial Size	Est. Unit Wt.	Box Qty
4"	1.20 lbs (0.54 kg)	15

STANDARD DIAL CONFIGURATIONS FOR 4001 9/16" SERIES

Part Number	Dial Range	Figure Intervals	Graduation Intervals
4001-9LU	0/10,000 psi	1,000 psi	100 psi
4001-9LV	0/15,000 psi	3,000 psi	100 psi
4001-9LW	0/20,000 psi	2,000 psi	200 psi
4001-9LX	0/30,000 psi	6,000 psi	200 psi



COLLAR



GLAND

Part Number	Description
60-2H9	Collar
60-2HM9	Gland

SOLD SEPARATELY

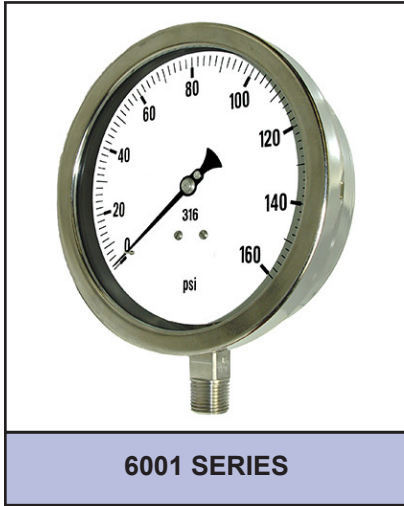
NOTE: Because of continuing improvements, specifications are subject to change without notice. Stock ranges vary by dial size and configuration. Consult PIC Gauges for availability.



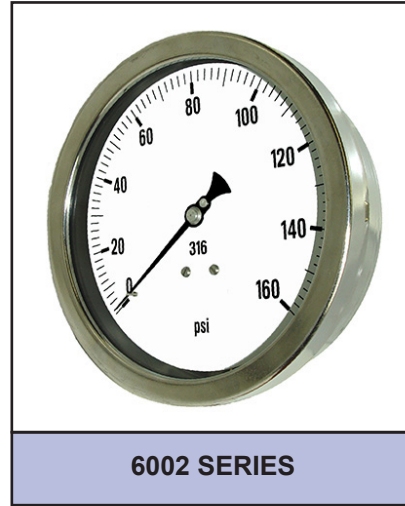
6000 SERIES 6" HEAVY DUTY ALL STAINLESS STEEL

Heavy duty, all stainless steel gauge with removable bezel, adjustable pointer
1% accuracy, welded case-to-stem connection, dry yet fillable

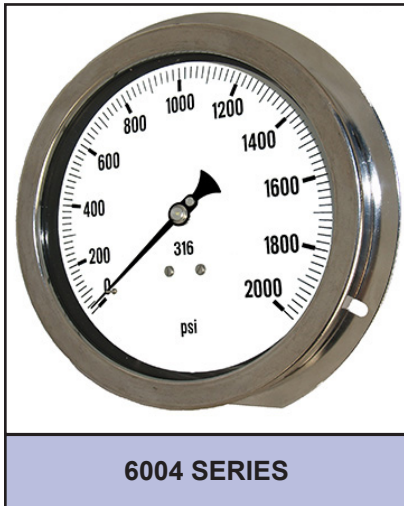
4



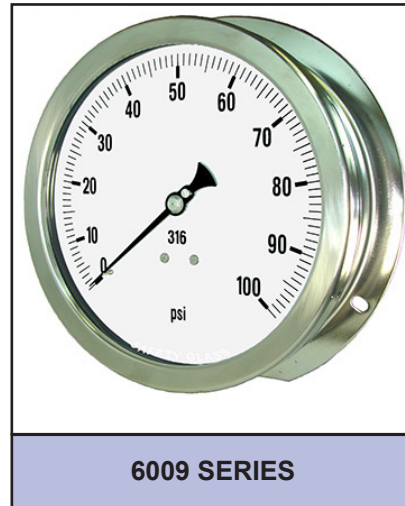
6001 SERIES



6002 SERIES



6004 SERIES



6009 SERIES

STANDARD DIAL CONFIGURATIONS FOR 6000 SERIES

Dial Range	Figure Intervals	Graduation Intervals	Dial Range	Figure Intervals	Graduation Intervals	Dial Range	Figure Intervals	Graduation Intervals
30/0"hg Vac	3" hg	0.2" hg	0/60 psi	5 psi	0.5 psi	0/1500 psi	200 psi	10 psi
30/0/30 psi	10" hg/5 psi	1" hg/.5 psi	0/100 psi	10 psi	1 psi	0/2000 psi	200 psi	20 psi
30/0/60 psi	10" hg/5 psi	1" hg/.5 psi	0/160 psi	20 psi	2 psi	0/3000 psi	500 psi	20 psi
30/0/100 psi	30" hg/10psi	2" hg/1 psi	0/200 psi	20 psi	2 psi	0/5000 psi	500 psi	50 psi
30/0/150 psi	30" hg/20psi	5" hg/2 psi	0/300 psi	30 psi	2 psi	0/6000 psi	500 psi	50 psi
30/0/300 psi	30" hg/50psi	5" hg/2 psi	0/400 psi	50 psi	5 psi	0/10,000 psi	1000 psi	100 psi
0/15 psi	1 psi	0.1 psi	0/600 psi	50 psi	5 psi	0/15,000 psi	3000 psi	100 psi
0/30 psi	3 psi	0.2 psi	0/1000 psi	100 psi	10 psi			

NOTE: Because of continuing improvements, increments are subject to change.
Stock ranges vary by dial size and configuration. Consult PIC Gauges for availability.

6001 6" ALL STAINLESS LOWER MOUNT

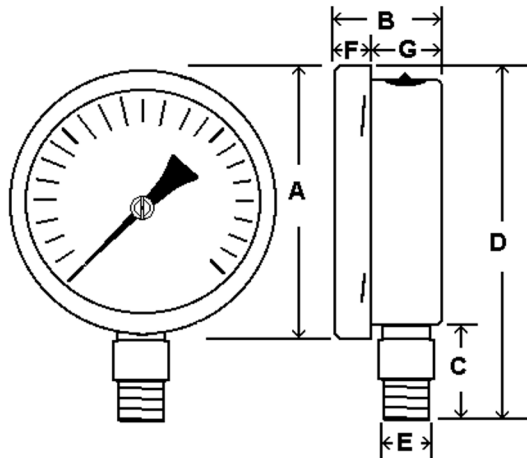


Heavy duty, all stainless steel gauge with removable bezel, adjustable pointer
1% accuracy, welded case-to-stem connection, dry yet fillable

SPECIFICATIONS

Dial	6" (150 mm)
Case	Stainless steel, dry yet fillable Welded case-to-stem connection
Wetted Parts	316 stainless steel
Movement	With overload/underload stops
Bezel	Removable, stainless steel
Lens	Laminated safety glass
Pointer	Micro adjustable, black aluminum
Connection	Lower mount ¼" or ½" NPT
Scale	Standard: single scale psi
Accuracy	1% of span ASME B40.1 Grade 1A
Ambient Temp	Dry = -30° F to 180° F Glycerine Filled = 30° F to 160° F

Design meets or exceeds ASME B40.100 pressure gauge standard.



Dial	Unit	A	B	C	D	E	F	G
6"	In.	6.75"	2.05"	1.50"	8.41"	¼" or ½" NPT	0.73"	1.27"
	mm	172	52	38	214		18	32

AVAILABLE OPTIONS*

- Certificate of Accuracy, NIST traceable
- Custom Dial
- Liquid Fill Options, see page 173
- Special Connection Size
- Cleaned for Oxygen Service (dry only)
- Polycarbonate Lens

*Lead times/minimums may apply

APPROXIMATE SHIPPING WEIGHTS/ BOX QUANTITIES

Dial Size	Est. Unit Wt.	Box Qty
6"	2.15 lbs (0.98 kg)	10

4



6002 6" ALL STAINLESS LOWER BACK MOUNT

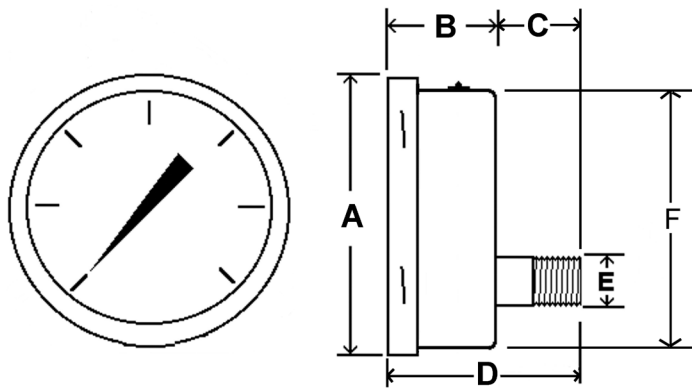
Heavy duty, all stainless steel gauge with removable bezel, adjustable pointer
 1% accuracy, welded case-to-stem connection, dry yet fillable

SPECIFICATIONS

Dial	6" (150 mm)
Case	Stainless steel, dry yet fillable Welded case-to-stem connection
Wetted Parts	316 stainless steel
Movement	With overload/underload stops
Bezel	Removable, stainless steel
Lens	Laminated safety glass
Pointer	Micro adjustable, black aluminum
Connection	Lower back mount 1/4" NPT
Scale	Standard: single scale psi
Accuracy	1% of span ASME B40.1 Grade 1A
Ambient Temp	Dry = -30° F to 180° F Glycerine Filled = 30° F to 160° F

4

Design meets or exceeds ASME B40.100 pressure gauge standard.



Dial	Unit	A	B	C	D	E	F
6"	In.	6.76"	2.02"	1.35"	3.37"	1/4" or 1/2"	6.24"
	mm	172	52	34	86		158

AVAILABLE OPTIONS*

- Certificate of Accuracy, NIST traceable
- Custom Dial
- Liquid Fill Options, see page 173
- Special Connection Size
- Cleaned for Oxygen Service (dry only)
- Polycarbonate Lens
- 1/2" NPT or Custom Connections

*Lead times/minimums may apply

APPROXIMATE SHIPPING WEIGHTS/ BOX QUANTITIES

Dial Size	Est. Unit Wt.	Box Qty
6"	2.20 lbs (1.00 kg)	upon request

6004 6" ALL STAINLESS FRONT FLANGE PANEL MOUNT



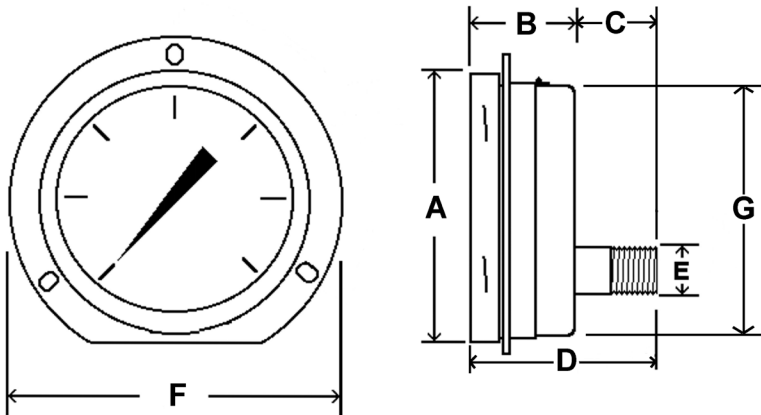
Heavy duty, all stainless steel gauge with removable bezel, adjustable pointer
1% accuracy, welded case-to-stem connection, dry yet fillable

SPECIFICATIONS

Dial	6" (150 mm)
Case	Stainless steel, dry yet fillable Welded case-to-stem connection
Wetted Parts	316 stainless steel
Movement	With overload/underload stops
Bezel	Removable, stainless steel
Lens	Laminated safety glass
Pointer	Micro adjustable, black aluminum
Connection	Lower back mount with front flange 1/4" NPT
Scale	Standard: single scale psi
Accuracy	1% of span ASME B40.1 Grade 1A
Ambient Temp	Dry = -30° F to 180° F Glycerine Filled = 30° F to 160° F



Design meets or exceeds ASME B40.100 pressure gauge standard.



Dial	Unit	A	B	C	D	E	F	G
6"	In.	6.76"	2.02"	1.35"	3.37"	1/4" or 1/2"	7.65"	6.24"
	mm	172	52	34	86	NPT	194	158

For complete flange dimensions, see page 121.

AVAILABLE OPTIONS*

- Certificate of Accuracy, NIST traceable
- Custom Dial
- Liquid Fill Options, see page 173
- Special Connection Size
- Cleaned for Oxygen Service (dry only)
- Polycarbonate Lens
- 1/2" NPT or Custom Connections

*Lead times/minimums may apply

APPROXIMATE SHIPPING WEIGHTS/ BOX QUANTITIES

Dial Size	Est. Unit Wt.	Box Qty
6"	2.30 lbs (1.06 kg)	5



6009 6" ALL STAINLESS BACK FLANGE

Heavy duty, all stainless steel gauge with removable bezel, adjustable pointer
 1% accuracy, welded case-to-stem connection, dry yet fillable

SPECIFICATIONS

Dial	6" (150 mm)
Case	Stainless steel, dry yet fillable Welded case-to-stem connection
Wetted Parts	316 stainless steel
Movement	With overload/underload stops
Bezel	Removable, stainless steel
Lens	Laminated safety glass
Pointer	Micro adjustable, black aluminum
Connection	Lower back mount with back flange 1/4" NPT standard 1/2" NPT available (limited ranges)
Scale	Standard: single scale psi
Accuracy	1% of span ASME B40.1 Grade 1A
Ambient Temp	Dry = -30° F to 180° F Glycerine Filled = 30° F to 160° F

4

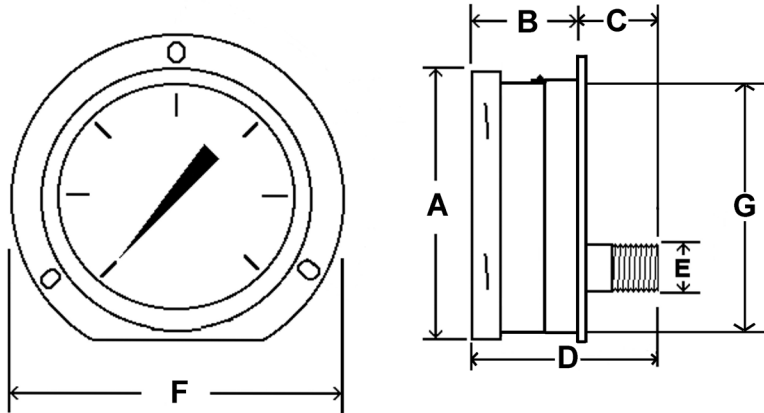
Design meets or exceeds ASME B40.100 pressure gauge standard.



AVAILABLE OPTIONS*

- Certificate of Accuracy, NIST traceable
- Custom Dial
- Liquid Fill Options, see page 173
- Special Connection Size
- Cleaned for Oxygen Service (dry only)
- Polycarbonate Lens

*Lead times/minimums may apply



APPROXIMATE SHIPPING WEIGHTS/ BOX QUANTITIES

Dial	Unit	A	B	C	D	E	F	G
6"	In.	6.76"	2.02"	1.50"	3.54"	1/4" or 1/2"	7.63"	6.24"
	mm	172	52	38	90	NPT	194	158

Dial Size	Est. Unit Wt.	Box Qty
6"	4.65 lbs (2.10 kg)	upon request

For complete flange dimensions, see page 121.

4500 SERIES PROCESS GAUGE



Solid front/blow-out back safety case, liquid fillable, 316 stainless steel internals



4

STANDARD DIAL CONFIGURATIONS FOR 4502/4504/6504/4501-SC

Dial Range	Figure Intervals	Graduation Intervals	Dial Range	Figure Intervals	Graduation Intervals	Dial Range	Figure Intervals	Graduation Intervals
30/0"hg Vac	5" hg	0.2" hg	0/60 psi	10 psi	0.5 psi	0/1500 psi	250 psi	10 psi
30/0/30 psi	10" hg/5psi	1" hg/.5 psi	0/100 psi	10 psi	1 psi	0/2000 psi	200 psi	20 psi
30/0/60 psi	10" hg/10psi	2" hg/1 psi	0/160 psi	20 psi	1 psi	0/3000 psi	500 psi	20 psi
30/0/100 psi	10" hg/10psi	2" hg/1 psi	0/200 psi	20 psi	2 psi	0/5000 psi	500 psi	50 psi
30/0/150 psi	30" hg/30psi	2" hg/2 psi	0/300 psi	50 psi	2 psi	0/6000 psi	500 psi	50 psi
30/0/300 psi	30" hg/50psi	5" hg/5 psi	0/400 psi	50 psi	5 psi	0/10,000 psi	1000 psi	100 psi
0/15 psi	3 psi	0.2 psi	0/600 psi	100 psi	5 psi	0/15,000 psi	2500 psi	100 psi
0/30 psi	5 psi	0.2 psi	0/1000 psi	100 psi	10 psi			

NOTE: Because of continuing improvements, increments and specifications are subject to change. Stock ranges vary by dial size and configuration. Consult PIC Gauges for availability.



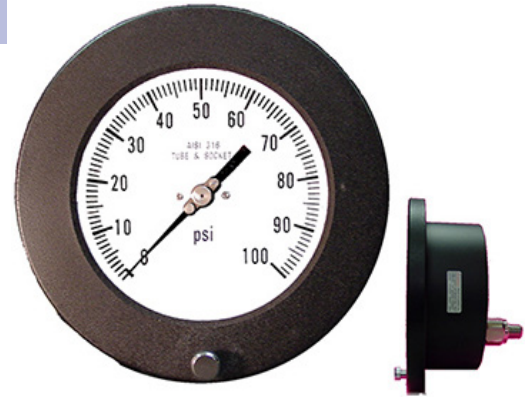
4504, 6504 PROCESS GAUGE PANEL MOUNT

Hinged ring panel mount for easy adjustment
Solid front safety case design

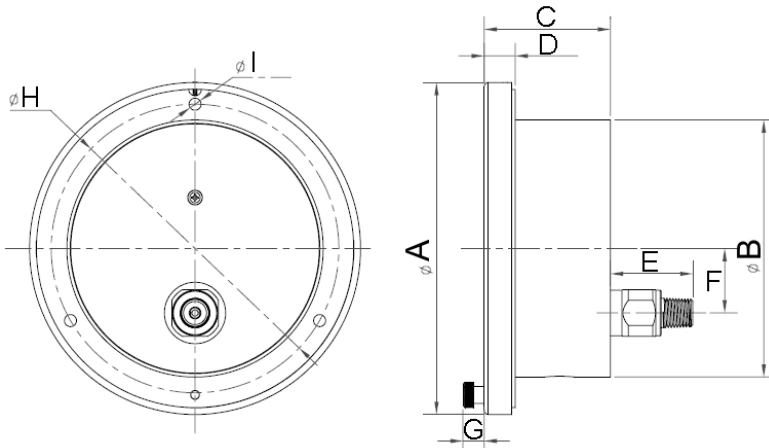
SPECIFICATIONS

Dial	4 ½" (114 mm), 6" (150 mm)
Case	Aluminum case with hinged front flange Solid front/blow out back
Wetted Parts	316 stainless steel
Movement	With overload/underload stops
Bezel	Removable, black enamel aluminum
Lens	Plastic lens for 4 ½" Glass lens for 6"
Pointer	Micro adjustable, black aluminum
Connection	Lower back mount ¼" or ½" NPT
Scale	Standard: single scale psi
Accuracy	0.5% of span ASME B40.1 Grade 2A
Ambient Temp	Dry = -30° F to 180° F

Design meets or exceeds ASME B40.100 pressure gauge standard.



4



Dial	Unit	A	B	C	D	E	F	G	H	I
4 ½"	In.	6.16"	4.77"	2.35"	0.58"	1.70"	1.20"	0.39"	5.35"	0.22"
	mm	156.5	121.2	59.7	14.7	43.2	30.4	10	136	5.7
6"	In.	7.56"	4.76"	2.62"	0.63"	1.40"	1.20"	0.33"	7.01"	0.19"
	mm	192	121	66.5	16	35.6	30.4	8.5	178	4.7

AVAILABLE OPTIONS*

- Certificate of Accuracy, NIST traceable
- Custom Dial
- 3/15 Receiver Gauge
- Special Connection Size
- Cleaned for Oxygen Service (dry only)
- Knife-edge Pointer
- Max/Min Pointer, see page 120

*Lead times/minimums may apply

APPROXIMATE SHIPPING WEIGHTS/ BOX QUANTITIES

Dial Size	Est. Unit Wt.	Box Qty
4 ½"	2.36 lbs/ (1.07 kg)	18
6"	3.10 lbs/ (1.40 kg)	upon request

4501-SC ALL STAINLESS PROCESS GAUGE

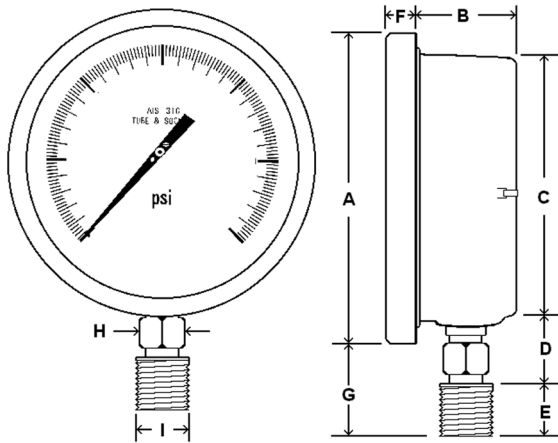


Solid front stainless steel safety case, liquid fillable
316 stainless steel internals

SPECIFICATIONS

Dial	4 1/2" (114 mm)
Case	Stainless steel case with solid front & blow out back; Dry, liquid fillable Welded case-to-stem connection
Wetted Parts	316 stainless steel
Movement	With overload/underload stops
Bezel	Removable, stainless steel
Lens	Polycarbonate
Pointer	Micro adjustable, black aluminum
Connection	Lower mount 1/4" or 1/2" NPT
Scale	Standard: single scale psi
Accuracy	0.5% of span ASME B40.1 Grade 2A
Ambient Temp	Dry = -30° F to 180° F Glycerine Filled = 30° F to 160° F

Design meets or exceeds ASME B40.100 pressure gauge standard.



Dial	Unit	A	B	C	D	F	G	H	I
4 1/2"	In.	4.90"	1.57"	4.50"	1.10"	0.57"	1.50"	0.86"	1/4" or 1/2" NPT
	mm	124	40	114	28	14	38	22	



4

AVAILABLE OPTIONS*

- Certificate of Accuracy, NIST traceable
- Custom Dial
- Liquid Fill Options, see page 173
- Special Connection Size
- Laminated Safety Glass Lens
- Cleaned for Oxygen Service (dry only)
- Knife-edge Pointer
- Max/Min Pointer, see page 120
- 2 1/2" Dial Option

*Lead times/minimums may apply

APPROXIMATE SHIPPING WEIGHTS/ BOX QUANTITIES

Dial Size	Est. Unit Wt.	Box Qty
4 1/2"	1.84 lbs/ (0.83 kg)	27



4001-PT GAUGE WITH TRANSMITTER

Heavy duty, all stainless steel gauge with welded case-to-stem connection
 Solid front safety case with 4-20mA output for PLC/PID and data loggers
 CE Approved pressure transmitter

SPECIFICATIONS

PRESSURE GAUGE

Dial	4" (100 mm)
Case	Stainless steel Welded case-to-stem connection
Wetted Parts	316L stainless steel
Bezel	Removable, stainless steel
Lens	Laminated safety glass
Pointer	Adjustable, black aluminum
Connection	Lower mount 1/4" or 1/2" NPT
Scale	Standard: single scale psi
Accuracy	Gauge: 1% of span ASME B40.1 Grade 1A
Ambient Temp	-10° F to 150° F



4

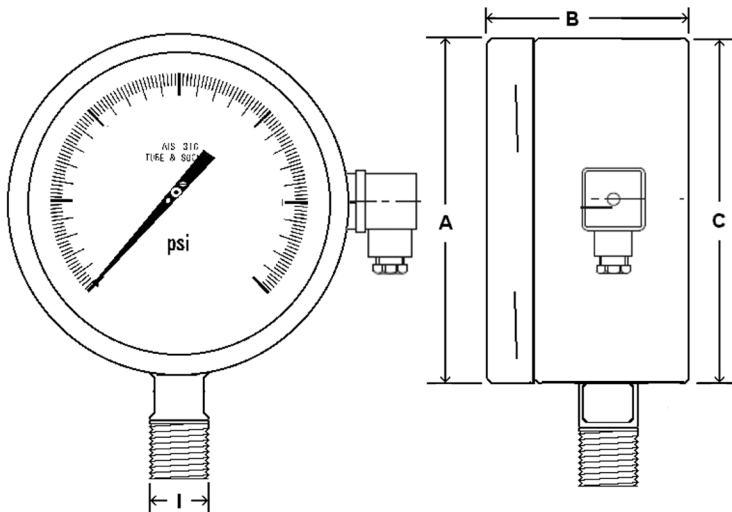
PRESSURE TRANSMITTER

System	2 Wire
Supply	24 VDC
Output	4-20 mA
Accuracy	0.5% of FS
Electric Wiring	DIN Connector
Response Time	50 mSec (Typical)
Sensing Element	AISI 316L

AVAILABLE OPTIONS*

- Certificate of Accuracy, NIST traceable
- Custom Dial
- Special Connection Size
- Knife-edge pointer
- Max/Min Pointer, see page 120
- Electrical Contact Version

Design meets or exceeds ASME B40.100 pressure gauge standard.



Dial	Unit	A	B	C	I (=NPT)
4"	In.	4.37"	3.51"	3.94"	1/4" or 1/2"
	mm	111	89	100	

Drawings are not to scale.

*Lead times/minimums may apply

APPROXIMATE SHIPPING WEIGHTS/ BOX QUANTITIES

Dial Size	Est. Unit Wt.	Box Qty
4"	2.53 lb/1.15 kg	upon request

601L FORGED BRASS LIQUID FILLED LOWER MOUNT



Heavy duty forged brass case and socket

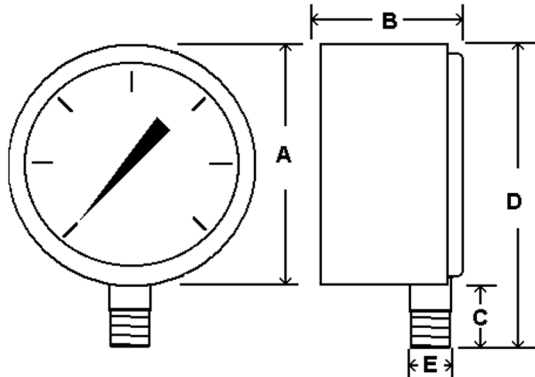
Glycerine filled for added durability in applications where vibration or pulsation is present

SPECIFICATIONS

Dial	2 1/2" (63 mm)
Case	Forged brass case & connection Glycerine filled
Wetted Parts	Copper alloy
Bezel	Fixed
Lens	Polycarbonate
Pointer	Black aluminum
Connection	Lower mount 1/4" NPT
Scale	Standard: single scale psi
Accuracy	2-1-2% of span ASME B40.1 Grade A
Ambient Temp	Glycerine Filled = 30° F to 160° F Dry = -30° F to 180° F



Design meets or exceeds ASME B40.100 pressure gauge standard.



Dial	Unit	A	B	C	D	E
2 1/2"	In.	2.58"	1.49"	0.96"	3.32"	1/4" NPT
	mm	66	38	24	84	

STANDARD DIAL CONFIGURATIONS

Dial Range	Figure Intervals	Graduation Intervals	Dial Range	Figure Intervals	Graduation Intervals
30/0"hg Vac	5" hg	0.5" hg	0/300 psi	50 psi	5 psi
30/0/30 psi	10" hg/5psi	1" hg/0.5 psi	0/400 psi	50 psi	5 psi
30/0/100 psi	30" hg/10psi	2" hg/1 psi	0/600 psi	50 psi	5 psi
30/0/150 psi	30" hg/20psi	2" hg/2 psi	0/1000 psi	100 psi	10 psi
30/0/300 psi	30" hg/50psi	10" hg/5 psi	0/1500 psi	200 psi	10 psi
0/15 psi	2 psi	0.1 psi	0/2000 psi	200 psi	20 psi
0/30 psi	5 psi	0.5 psi	0/3000 psi	500 psi	50 psi
0/60 psi	10 psi	1 psi	0/5000 psi	500 psi	50 psi
0/100 psi	10 psi	1 psi	0/7500 psi	1000 psi	100 psi
0/160 psi	20 psi	2 psi	0/10,000 psi	1000 psi	100 psi
0/200 psi	20 psi	2 psi			

AVAILABLE OPTIONS*

- Certificate of Accuracy, NIST traceable
- Custom Dial
- Liquid Fill Options, see page 173
- Special Connection Size
- Dry, fillable case
- Protective Rubber Cover, see page 119
- Max/Min Pointer, see page 120

*Lead times/minimums may apply

APPROXIMATE SHIPPING WEIGHTS/ BOX QUANTITIES

Dial Size	Est. Unit Weight	Box Qty
2 1/2"	0.75 lbs (0.34 kg)	50

NOTE: Because of continuing improvements, specifications are subject to change. Stock ranges vary by dial size and configuration. Consult PIC Gauges for availability.



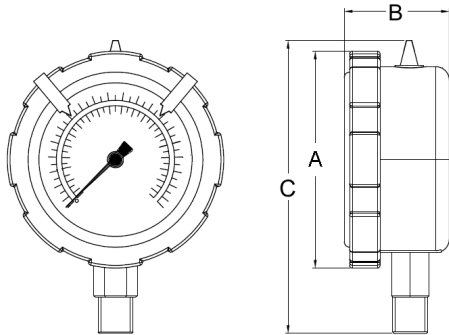
701L POLY CASE LIQUID FILLED LOWER MOUNT

Plastic case/glycerine filled for durability in applications where vibration/pulsation is present
Suitable for air, water, oil, gas or any other media not corrosive to copper alloy

SPECIFICATIONS

Dial	2 1/2" (63 mm)
Case	Polypropylene, glycerine filled
Wetted Parts	Copper alloy
Bezel	Removable, polypropylene with adjustable Reference clips
Lens	Polycarbonate
Pointer	Adjustable, black aluminum
Connection	Lower mount 1/4" NPT
Scale	Standard: psi/BAR (100 x kPa)
Accuracy	2-1-2% of span ASME B40.1 Grade A
Ambient Temp	Glycerine Filled = 30° F to 160° F Dry = -30° F to 180° F

Design meets or exceeds ASME B40.100 pressure gauge standard.



Dial	Unit	A	B	C	D
2 1/2"	In.	3.16"	1.65"	4.25"	1/4"
	mm	80.5	42	108	NPT

AVAILABLE OPTIONS*

- Certificate of Accuracy, NIST traceable
- Custom Dial
- Liquid Fill Options, see page 173
- Special Connection Size
- Alternate Lens Material
- Cleaned for Oxygen Service (dry only)
- Max/Min Pointer, see page 120

*Lead times/minimums may apply

STANDARD DIAL CONFIGURATIONS

Dial Range	Figure Intervals	Graduation Intervals	Dial Range	Figure Intervals	Graduation Intervals
30/0"hg Vac	5" hg	0.5" hg	0/160 psi	20 psi	2 psi
30/0/15 psi	10" hg/5 psi	1" hg/0.5 psi	0/200 psi	40 psi	5 psi
30/0/30 psi	10" hg/10psi	1" hg/1 psi	0/300 psi	50 psi	5 psi
30/0/60 psi	10" hg/10psi	2" hg/1 psi	0/400 psi	50 psi	5 psi
30/0/100 psi	30" hg/20 psi	5" hg/2 psi	0/600 psi	100 psi	10 psi
30/0/150 psi	30" hg/20 psi	5" hg/2 psi	0/1000 psi	200 psi	20 psi
30/0/300 psi	30" hg/50 psi	10" hg/5 psi	0/1500 psi	200 psi	20 psi
0/15 psi	2 psi	0.2 psi	0/2000 psi	400 psi	50 psi
0/30 psi	5 psi	0.5 psi	0/3000 psi	500 psi	50 psi
0/60 psi	10 psi	1 psi	0/4000 psi	500 psi	50 psi
0/100 psi	20 psi	2 psi	0/5000 psi	1000 psi	100 psi

APPROXIMATE SHIPPING WEIGHTS/BOX QUANTITIES

Dial Size	Est. Unit Wt.	Box Qty
2 1/2"	0.55 lb (0.26 kg)	upon request

For part numbering system, see page 4.

NOTE: Because of continuing improvements, specifications are subject to change.
Stock ranges vary by dial size and configuration. Consult PIC Gauges for availability.

CONTRACTOR SERIES

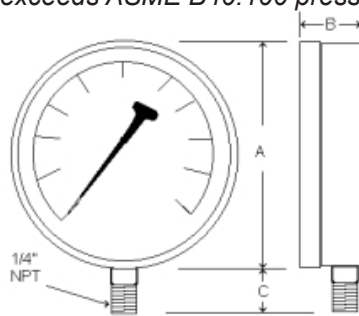
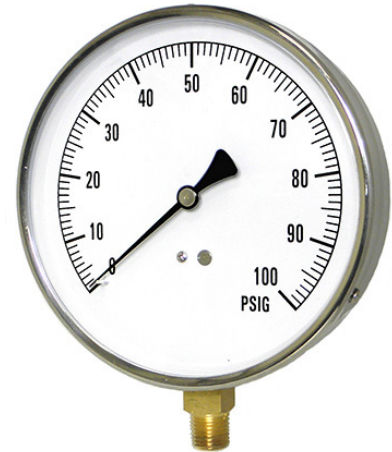


Large, easily readable gauge designed for commercial & industrial use
 Suitable for air, water, oil, gas or any other media not corrosive to copper alloy

SPECIFICATIONS

Dial	4 1/2" (114 mm)
Case	Stainless steel, dry non-fillable
Wetted Parts	Copper alloy
Bezel	Removable, stainless steel
Lens	Plastic
Pointer	Adjustable, black aluminum Adjustment screw on dial
Connection	Lower mount 1/4" NPT
Scale	Standard: single scale psi
Accuracy	1% of span ASME B40.1 Grade 1A
Ambient Temp	-30° F to 180° F

Design meets or exceeds ASME B40.100 pressure gauge standard.

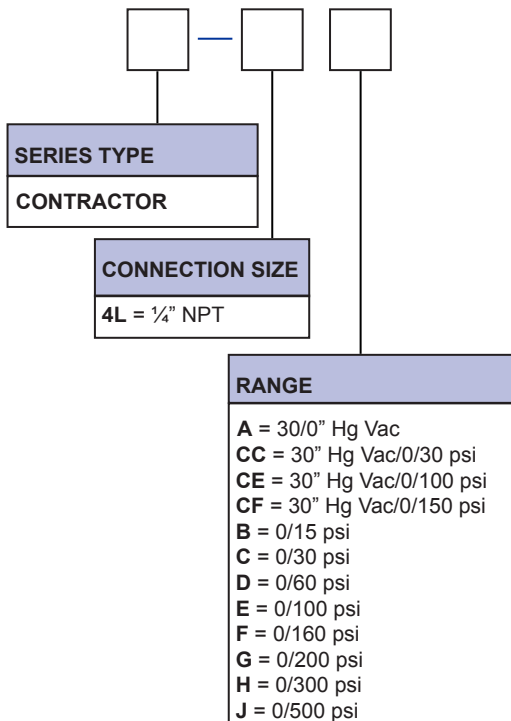


AVAILABLE OPTIONS*

- Certificate of Accuracy, NIST Traceable
- Custom Dial
- Special Connection Size
- Cleaned for Oxygen Service (dry only)
- Max/Min Pointer, see page 120

5

PART NUMBERING SYSTEM



Dial	Unit	A	B	C
4 1/2"	In.	4.9"	1.17"	.97"
	mm	124	30	25

*Lead times/minimums may apply

APPROXIMATE SHIPPING WEIGHTS/ BOX QUANTITIES

Dial Size	Est. Unit Wt.	Box Qty
4 1/2"	0.75 lb/(0.36kg)	upon request

STANDARD DIAL CONFIGURATIONS

Dial Range	Figure Intervals	Graduation Intervals	Dial Range	Figure Intervals	Graduation Intervals
30/0"hg Vac	5" hg	0.5" hg	0/60 psi	10 psi	1 psi
30/0/30 psi	10" hg/5psi	1" hg/1 psi	0/100 psi	10 psi	1 psi
30/0/100 psi	30" hg/10psi	2" hg/1 psi	0/160 psi	20 psi	2 psi
30/0/150 psi	30"hg/25 psi	5" hg/5 psi	0/200 psi	20 psi	2 psi
0/15 psi	2.5 psi	0.25 psi	0/300 psi	50 psi	5 psi
0/30 psi	5 psi	0.5 psi	0/500 psi	50 psi	5 psi

NOTE: Because of continuing improvements, increments and specifications are subject to change. Stock ranges vary by dial size and configuration. Consult PIC Gauges for availability.



115D SERIES INDUSTRIAL GAUGE

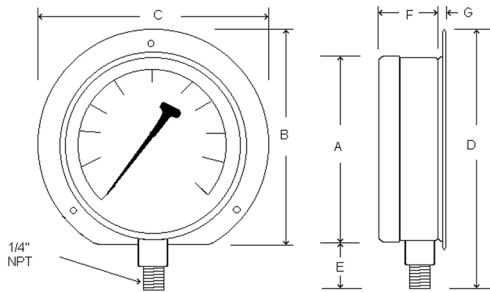
Heavy duty, easily readable gauge with removable back flange
Suitable for air, water, oil, gas or any other media not corrosive to copper alloy

SPECIFICATIONS

Dial	4 1/2" (114 mm), 6" (150 mm), 8 1/2" (216 mm)
Case	Epoxy coated black steel With removable back flange
Wetted Parts	Copper alloy
Bezel	Removable, chrome plated steel
Lens	Plastic for 4 1/2" & 6" Glass for 8 1/2"
Pointer	Adjustable, black aluminum
Connection	Lower mount 1/4" NPT
Scale	Standard: single scale psi
Accuracy	1% of span ASME B40.1 Grade 1A
Ambient Temp	-30° F to 180° F



Design meets or exceeds ASME B40.100 pressure gauge standard.



Dial	Unit	A	B	C	D	E	F	G
4 1/2"	In.	4.99"	5.41"	5.87"	6.79"	1.40"	1.86"	0.18"
	mm	125	138	149	172	36	47	4.5
6"	In.	5.95"	6.87"	7.42"	8.41"	1.61"	1.86"	0.24"
	mm	151	175	188	213	41	47	6
8 1/2"	In.	8.56"	9.44"	10.3"	10.8"	1.27"	1.93"	0.14"
	mm	216	240	260	272	32	49	4

AVAILABLE OPTIONS*

- Certificate of Accuracy, NIST traceable
- Custom Dial
- Special Connection Size
- Dual Scale psi/BAR
- Glass Lens 4 1/2", 6"

*Lead times/minimums may apply

APPROXIMATE SHIPPING WEIGHTS/ BOX QUANTITIES

Dial Size	Est. Unit Wt.	Box Qty
4 1/2"	1.80 lb/(0.82 kg)	10
6"	2.60 lb/(1.18kg)	10
8 1/2"	5.55 lb/(2.52kg)	upon request

Dial Size	Standard Part Numbers
4 1/2"	115D-454(RANGE CODE)
6"	115D-604(RANGE CODE)
8 1/2"	115D-854(RANGE CODE)

For range codes, see p. 4.

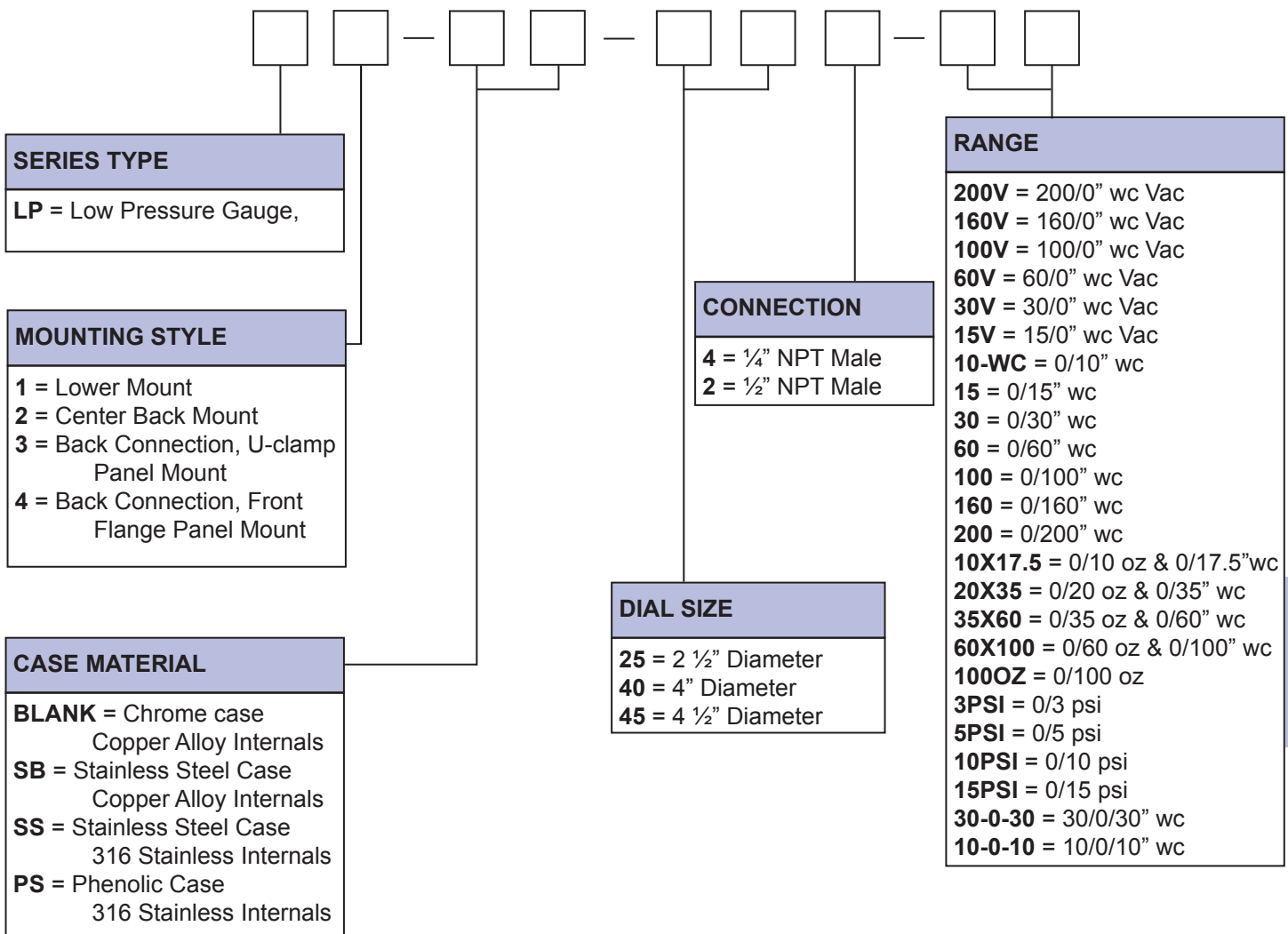
For complete flange dimensions, see p. 123.

STANDARD DIAL CONFIGURATIONS

Dial Range	Figure Intervals	Graduation Intervals	Dial Range	Figure Intervals	Graduation Intervals
30/0"hg Vac	5" hg	0.5" hg	0/60 psi	10 psi	1 psi
30/0/30 psi	10" hg/5psi	1" hg/1 psi	0/100 psi	20 psi	1 psi
30/0/60 psi	10" hg/10psi	1" hg/0.5 psi	0/160 psi	20 psi	2 psi
30/0/100 psi	30" hg/20psi	2" hg/1 psi	0/200 psi	20 psi	2 psi
30/0/150 psi	30" hg/20psi	5" hg/2 psi	0/300 psi	50 psi	5 psi
30/0/300 psi	30" hg/50psi	5" hg/5 psi	0/400 psi	40 psi	5 psi
0/15 psi	2 psi	0.2 psi	0/600 psi	100 psi	5 psi
0/30 psi	5 psi	0.5 psi	0/1000 psi	100 psi	10 psi

NOTE: Because of continuing improvements, increments and specifications are subject to change.
Stock ranges vary by dial size and configuration. Consult PIC Gauges for availability.

LOW PRESSURE SERIES PART NUMBERING SYSTEM



5

EXAMPLE: "LP1-SB-254-100"

LP = Low Pressure Gauge
1 = Lower Mount

SB = Stainless Steel Case, Copper Alloy Internals

25 = 2 1/2" Diameter
4 = 1/4" NPT Male

100 = 0/100" wc



NOTE: Not all part numbers or options are available from stock. Consult PIC Gauges for availability.

LP SERIES LOW PRESSURE GAUGE

Capsule type pressure gauge for accurate measurement of low pressures
Suitable for air, water, oil, gas or any other media not corrosive to copper alloy



LP1 SERIES



LP2 SERIES



LP3 SERIES



LP4 SERIES

5

STANDARD DIAL CONFIGURATIONS FOR LP SERIES

Dial Range	Figure Intervals	Graduation Intervals	Dial Range	Figure Intervals	Graduation Intervals	Dial Range	Figure Intervals	Graduation Intervals
200/0"wc Vac	40" wc	4" wc	0/15" wc	3" wc	0.2" wc	0/100" wc	20" wc	2" wc
160/0"wc Vac	20" wc	5" wc	0/30" wc	5" wc	0.5" wc	0/160" wc	20" wc	5" wc
100/0"wc Vac	20" wc	2" wc	0/20 oz & 0/35" wc	5 oz/5" wc	0.5 oz/0.5" wc	0/200" wc	40" wc	4" wc
60/0"wc Vac	10" wc	1" wc	0/35 oz & 0/60" wc	5 oz/10" wc	1 oz/1" wc	0/3 psi	0.5 psi	0.05 psi
30/0"wc Vac	5" wc	0.5" wc	0/60" wc	10" wc	1" wc	0/5 psi	1 psi	0.1 psi
15/0"wc Vac	3" wc	0.2" wc	0/60 oz & 0/100" wc	10 oz/10" wc	1 oz/2" wc	0/10 psi	2 psi	0.2 psi
30/0/30" wc	10" wc	1" wc	0/100 oz	20 oz	2 oz	0/15 psi	3 psi	0.3 psi
5/0/15 wc	1" wc	0.25" wc						
0/10" wc	1" wc	0.1" wc						

NOTE: Because of continuing improvements, increments and specifications are subject to change.
Stock ranges vary by dial size and configuration. Consult PIC Gauges for availability.

LP1 LOW PRESSURE LOWER MOUNT

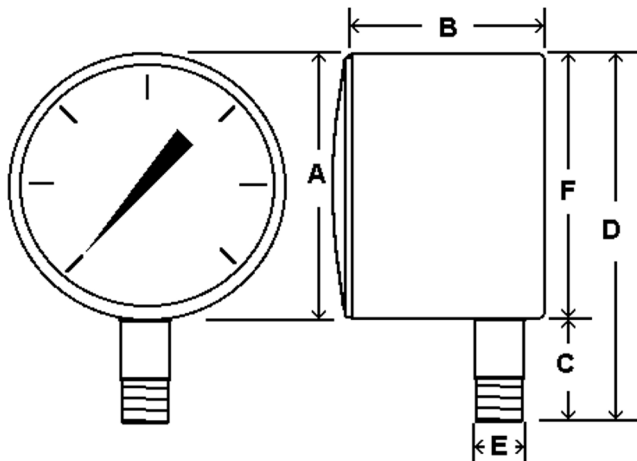


Capsule type pressure gauge for accurate measurement of low pressures
Suitable for air, water, oil, gas or any other media not corrosive to copper alloy

SPECIFICATIONS

Dial	2 ½" (63 mm)
Case	Chrome plated steel, dry non-fillable
Wetted Parts	Copper alloy
Lens	Plastic, removable twist lock
Pointer	Adjustable, black aluminum Adjustment screw at rear of case
Connection	Lower mount ¼" NPT
Scale	Standard: single scale inches of water column or psi
Accuracy	3-2-3% of span, ASME B40.1 Grade B
Ambient Temp	-30° F to 180° F

Design meets or exceeds ASME B40.100 pressure gauge standard.



Dial	Unit	A	B	C	D	E	F
2 ½"	In.	2.62"	1.85"	.85"	3.45"	¼"	2.6"
	mm	67	47	22	88	NPT	66

AVAILABLE OPTIONS*

- Certificate of Accuracy, NIST Traceable
- Custom Dial
- Special Connection Size
- Cleaned for Oxygen Service
- Protective Rubber Cover, see page 119
- Dual Scale

*Lead times/minimums may apply

APPROXIMATE SHIPPING WEIGHTS/ BOX QUANTITIES

Dial Size	Est. Unit Wt.	Box Qty
2 ½"	0.50 lbs (0.24 kg)	100

5



LP2 LOW PRESSURE CENTER BACK MOUNT

Capsule type pressure gauge for accurate measurement of low pressures
Suitable for air, water, oil, gas or any other media not corrosive to copper alloy

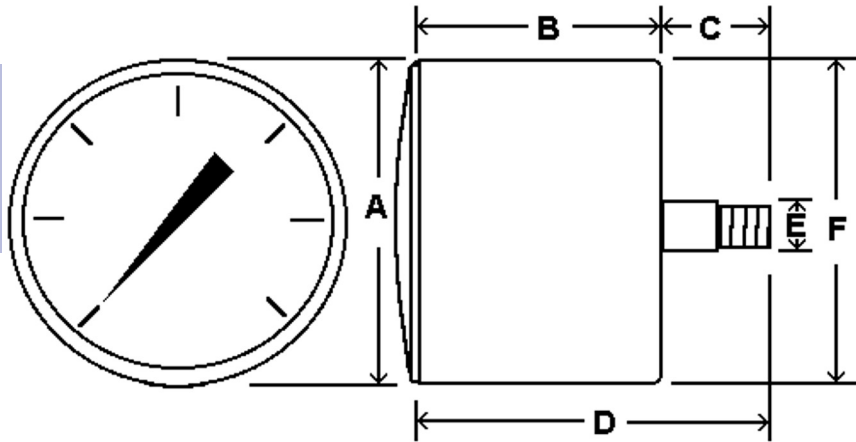
SPECIFICATIONS

Dial	2 ½" (63 mm)
Case	Chrome plated steel, dry non-fillable
Wetted Parts	Copper alloy
Lens	Plastic, removable twist lock
Pointer	Adjustable, black aluminum Adjustment screw at rear of case
Connection	Center back mount ¼" NPT
Scale	Standard: single scale inches of water column or psi
Accuracy	3-2-3% of span ASME B40.1 Grade B
Ambient Temp	-30° F to 180° F

Design meets or exceeds ASME B40.100 pressure gauge standard.



5



AVAILABLE OPTIONS*

- Certificate of Accuracy, NIST Traceable
- Custom Dial
- Special Connection Size
- Cleaned for Oxygen Service
- Protective Rubber Cover, see page 119
- Dual Scale

*Lead times/minimums may apply

Dial	Unit	A	B	C	D	E	F
2 ½"	In.	2.60"	1.92"	0.84"	2.75"	¼"	2.60"
	mm	66	49	22	71	NPT	66

APPROXIMATE SHIPPING WEIGHTS/ BOX QUANTITIES

Dial Size	Est. Unit Wt.	Box Qty
2 ½"	0.50 lbs (0.24 kg)	75

LP3 LOW PRESSURE U-CLAMP PANEL MOUNT

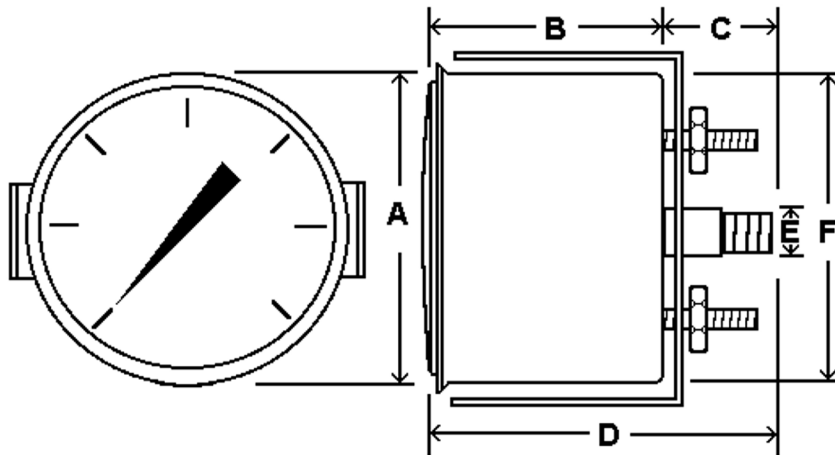


Capsule type pressure gauge for accurate measurement of low pressures
Suitable for air, water, oil, gas or any other media not corrosive to copper alloy

SPECIFICATIONS

Dial	2 ½" (63 mm)
Case	Chrome plated steel, dry non-fillable
Wetted Parts	Copper alloy
Lens	Plastic, removable twist lock
Pointer	Adjustable, black aluminum Adjustment screw at rear of case
Connection	Center back mount with u-clamp ¼" NPT
Scale	Standard: single scale inches of water column or psi
Accuracy	3-2-3% of span ASME B40.1 Grade B
Ambient Temp	-30° F to 180° F

Design meets or exceeds ASME B40.100 pressure gauge standard.



Dial	Unit	A	B	C	D	E	F
2 ½"	In.	2.84"	1.61"	0.88"	3.45"	¼"	2.6"
	mm	72	41	22	88	NPT	66

AVAILABLE OPTIONS*

- Certificate of Accuracy, NIST Traceable
- Custom Dial
- Special Connection Size
- Cleaned for Oxygen Service
- Dual Scale

*Lead times/minimums may apply

APPROXIMATE SHIPPING WEIGHTS/ BOX QUANTITIES

Dial Size	Est. Unit Wt.	Box Qty
2 ½"	0.50 lbs (0.24 kg)	upon request

5



LP4 LOW PRESSURE FRONT FLANGE PANEL MOUNT

Capsule type pressure gauge for accurate measurement of low pressures
 Suitable for air, water, oil, gas or any other media not corrosive to copper alloy

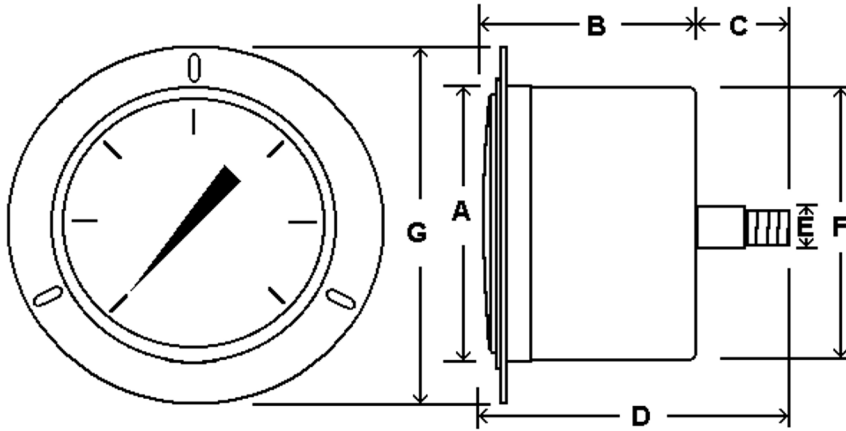
SPECIFICATIONS

Dial	2 1/2" (63 mm)
Case	Chrome plated steel, dry non-fillable
Wetted Parts	Copper alloy
Lens	Plastic, removable twist lock
Pointer	Adjustable, black aluminum Adjustment screw at rear of case
Connection	Center back mount with front flange 1/4" NPT
Scale	Standard: single scale inches of water column or psi
Accuracy	3-2-3% of span ASME B40.1 Grade B
Ambient Temp	-30° F to 180° F

Design meets or exceeds ASME B40.100 pressure gauge standard.



5



AVAILABLE OPTIONS*

- Certificate of Accuracy, NIST Traceable
- Custom Dial
- Special Connection Size
- Cleaned for Oxygen Service
- Dual Scale

*Lead times/minimums may apply

Dial	Unit	A	B	C	D	E	F	G
2 1/2"	In.	2.71"	1.81"	0.92"	2.72"	1/4" NPT	2.60"	3.44"
	mm	69	46	23	70		66	87

APPROXIMATE SHIPPING WEIGHTS/ BOX QUANTITIES

Dial Size	Est. Unit Wt.	Box Qty
2 1/2"	0.55 lbs (0.26 kg)	upon request

LOW PRESSURE TEST KIT



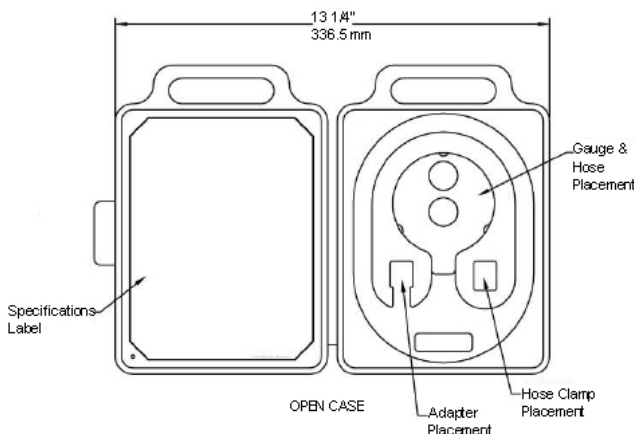
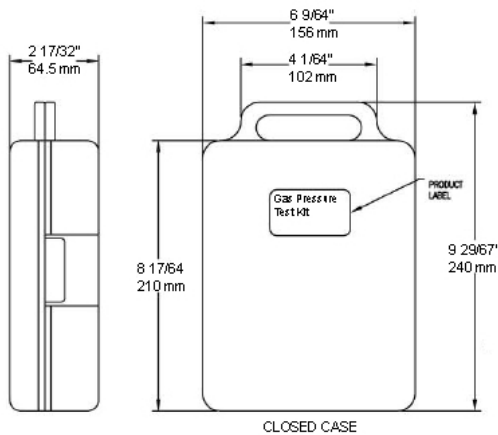
Low pressure test kit for accurate measurement of LP or natural gas
Includes black ABS plastic molded case, hose and fitting for portable testing

SPECIFICATIONS

Part Number	TEST KIT-LP
Dial	2 1/2" (63 mm)
Case	Black painted steel, dry non-fillable
Wetted Parts	Copper alloy
Range	0/20 oz X 0/35" wc*
Lens	Plastic, removable twist lock
Pointer	Adjustable, black aluminum Adjustment screw at rear of case
Connection	Gauge = Copper alloy hose barb Hose = Flexible rubber adapter fits multiple pipe sizes from 1/4" to 5/8" OD
Scale	Standard: dual scale inches of water column and oz/in ²
Accuracy	2% of span ASME B40.1 Grade B
Ambient Temp	-30° F to 180° F
Hose Tube	3 feet (91 cm) rubber

Design meets or exceeds ASME B40.100 pressure gauge standard.

For gauge dimensions, see page 67.



AVAILABLE OPTIONS*

- Certificate of Accuracy, NIST Traceable
- Custom Dial
- Special Connection Size
- Cleaned for Oxygen Service
- Alternate Pressure/Vacuum Ranges

*Lead times/minimums may apply

APPROXIMATE SHIPPING WEIGHTS/ BOX QUANTITIES

Dial Size	Est. Unit Wt.	Box Qty
2 1/2"	1.50 lbs (0.68 kg)	upon request

5



LP-SB/SS SERIES LOW PRESSURE GAUGE

Capsule type pressure gauge for accurate measurement of low pressures
Stainless steel case gauges with copper alloy or 316 stainless internals



5

STANDARD DIAL CONFIGURATIONS FOR LP-SB/SS SERIES

Dial Range	Figure Intervals	Graduation Intervals	Dial Range	Figure Intervals	Graduation Intervals	Dial Range	Figure Intervals	Graduation Intervals
200/0"wc Vac	50" wc	5" wc	0/15" wc	3" wc	0.2" wc	0/100" wc	20" wc	2" wc
100/0"wc Vac	20" wc	2" wc	0/30" wc	5" wc	0.5" wc	0/160" wc	40" wc	5" wc
60/0"wc Vac	10" wc	1" wc	0/10 oz & 0/17.5" wc	2.5 oz/2.5" wc	0.25 oz/0.5" wc	0/200" wc	50" wc	5" wc
30/0"wc Vac	5" wc	0.5" wc	0/20 oz & 0/35" wc	5 oz/5" wc	0.5 oz/1" wc	0/3 psi	0.5 psi	0.05 psi
30/0/30" wc	10" wc	1" wc	0/35 oz & 0/60" wc	5 oz/10" wc	1 oz/2" wc	0/5 psi	1 psi	0.1 psi
15/0/15 wc	5" wc	0.5" wc	0/60" wc	10" wc	1" wc	0/10 psi	2 psi	0.2 psi
10/0/10 wc	5" wc	0.5" wc						
0/10" wc	2" wc	0.2" wc						

NOTE: Because of continuing improvements, increments and specifications are subject to change.
Stock ranges vary by dial size and configuration. Consult PIC Gauges for availability.

LP1-SB LOW PRESSURE STAINLESS STEEL CASE

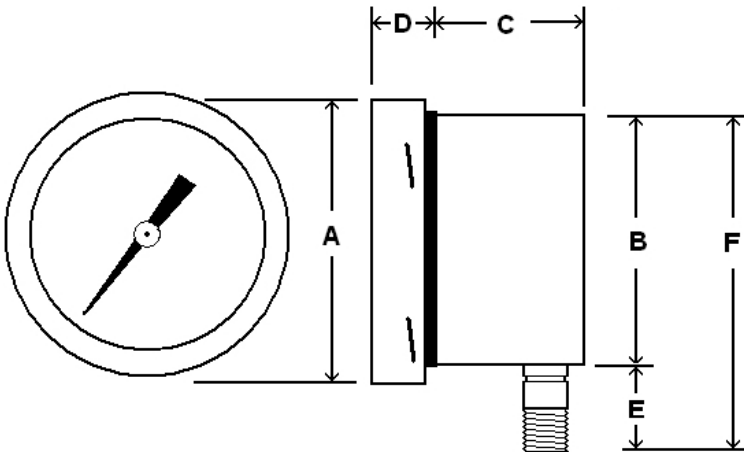


Capsule type pressure gauge for accurate measurement of low pressures
Suitable for air, water, oil, gas or any other media not corrosive to copper alloy

SPECIFICATIONS

Dial	2 ½" (63 mm), 4" (100 mm)
Case	Stainless steel, dry non-fillable
Wetted Parts	Copper alloy
Bezel	Removable, stainless steel
Lens	Heavy duty glass
Pointer	Adjustable, black aluminum Adjustment screw on dial face
Connection	Lower mount ¼" NPT for 2 ½" & 4"
Scale	Standard: single scale inches of water column
Accuracy	2-1-2% of span on 2 ½" & 4" ASME B40.1 Grade A
Ambient Temp	-30° F to 180° F

Design meets or exceeds ASME B40.100 pressure gauge standard.



AVAILABLE OPTIONS*

- Certificate of Accuracy, NIST Traceable
- Custom Dial
- Special Connection Size
- Other Lens Material
- Cleaned for Oxygen Service
- Protective Rubber Cover, see page 119

5

*Lead times/minimums may apply

APPROXIMATE SHIPPING WEIGHTS/ BOX QUANTITIES

Dial	Unit	A	B	C	D	Conn.	E	F
2 ½"	In.	2.95"	2.55"	1.23"	0.58"	¼" NPT	1.00"	3.55"
	mm	75	65	31	15		25	90
4"	In.	4.38"	3.87"	1.27"	0.64"	¼" NPT	1.42"	5.30"
	mm	111	99	32.3	17		36	135

Dial Size	Est. Unit Wt.	Box Qty
2 ½"	0.55 lbs (0.26 kg)	50
4"	0.95 lbs (0.44 kg)	30



LP2-SB LOW PRESSURE STAINLESS STEEL CASE

Capsule type pressure gauge for accurate measurement of low pressures
 Suitable for air, water, oil, gas or any other media not corrosive to Copper alloy

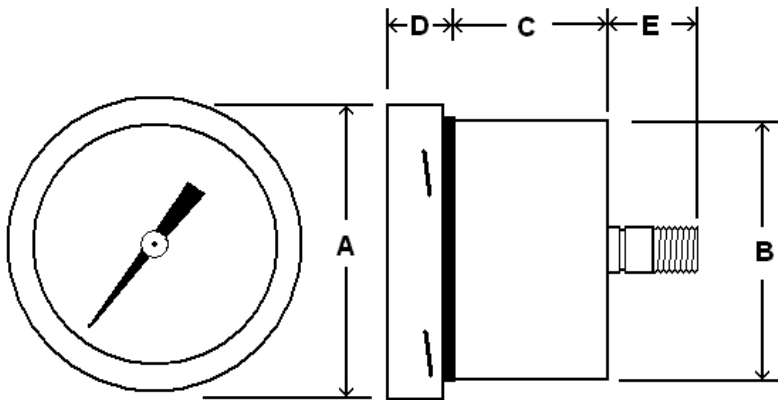
SPECIFICATIONS

Dial	2 1/2" (63 mm)
Case	Stainless steel, dry non-fillable
Wetted Parts	Copper Alloy
Bezel	Removable, stainless steel
Lens	Heavy duty glass
Pointer	Adjustable, black aluminum Adjustment screw on dial face
Connection	Center back mount 1/4" NPTI
Scale	Standard: single scale inches of water column or psi
Accuracy	2-1-2% of span 2 1/2" ASME B40.1 Grade A
Ambient Temp	-30° F to 180° F

Design meets or exceeds ASME B40.100 pressure gauge standard.



5



AVAILABLE OPTIONS*

- Certificate of Accuracy, NIST Traceable
- Custom Dial
- Special Connection Size
- Other Lens Material
- Cleaned for Oxygen Service
- Protective Rubber Cover, see page 119
- Dual Scale

*Lead times/minimums may apply

APPROXIMATE SHIPPING WEIGHTS/ BOX QUANTITIES

Dial	Unit	A	B	C	D	Conn.	E
2 1/2"	In.	2.95"	2.57"	1.23"	0.58"	1/4" NPT	1.05"
	mm	75	65	31	15		27

Dial Size	Est. Unit Wt.	Box Qty
2 1/2"	0.60 lbs (0.28 kg)	upon request

LP3-SB LOW PRESSURE STAINLESS STEEL CASE

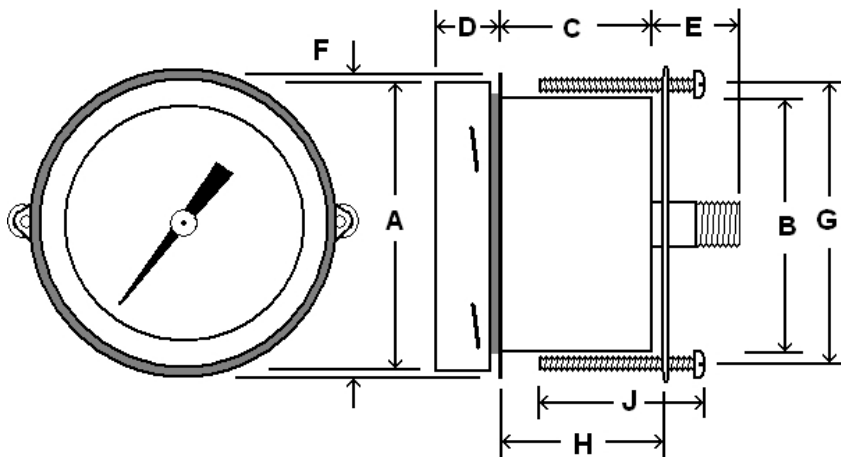


Capsule type pressure gauge for accurate measurement of low pressures
Suitable for air, water, oil, gas or any other media not corrosive to Copper alloy

SPECIFICATIONS

Dial	2 1/2" (63 mm)
Case	Stainless steel, dry non-fillable
Wetted Parts	Copper alloy
Bezel	Removable, stainless steel
Lens	Heavy duty glass
Pointer	Adjustable, black aluminum Adjustment screw on dial face
Connection	Center back mount with u-clamp 1/4" NPT
Scale	Standard: single scale inches of water column or psi
Accuracy	2-1-2% of span on 2 1/2" ASME B40.1 Grade A
Ambient Temp	-30° F to 180° F

Design meets or exceeds ASME B40.100 pressure gauge standard.



AVAILABLE OPTIONS*

- Certificate of Accuracy, NIST Traceable
- Custom Dial
- Special Connection Size
- Other Lens Material
- Cleaned for Oxygen Service
- Dual Scale

*Lead times/minimums may apply

APPROXIMATE SHIPPING WEIGHTS/ BOX QUANTITIES

Dial	Unit	A	B	C	D	Conn.	E
2 1/2"	In.	2.95"	2.56"	1.33"	0.55"	1/4" NPT	1.10"
	mm	75	65	34	14		28

Dial Size	Est. Unit Wt.	Box Qty
2 1/2"	0.65 lbs (0.30 kg)	upon request

Dial	Unit	F	G	H	J
2 1/2"	In.	3.22"	2.83"	1.46"	1.46"
	mm	82	72	37	37

5



LP4-SB LOW PRESSURE STAINLESS STEEL CASE

Capsule type pressure gauge for accurate measurement of low pressures
 Suitable for air, water, oil, gas or any other media not corrosive to Copper alloy

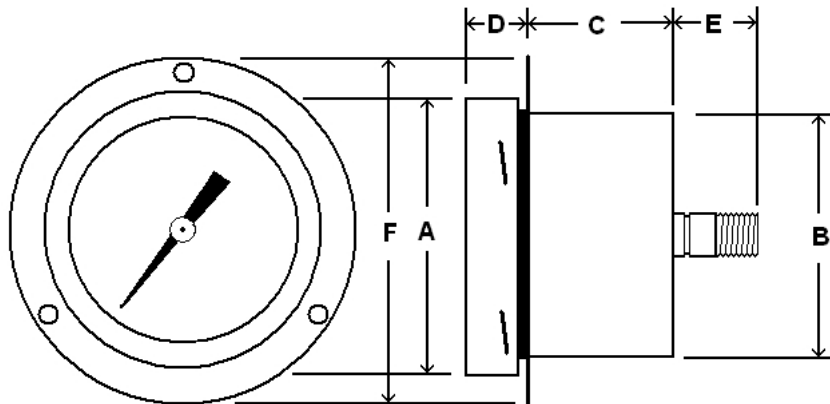
SPECIFICATIONS

Dial	2 1/2" (63 mm)
Case	Stainless steel, dry non-fillable
Wetted Parts	Copper Alloy
Bezel	Removable, stainless steel
Lens	Heavy duty glass
Pointer	Adjustable, black aluminum Adjustment screw on dial face
Connection	Center back mount with front flange 1/4" NPT
Scale	Standard: single scale inches of water column or psi
Accuracy	2-1-2% of span 2 1/2" ASME B40.1 Grade A
Ambient Temp	-30° F to 180° F

Design meets or exceeds ASME B40.100 pressure gauge standard.



5



AVAILABLE OPTIONS*

- Certificate of Accuracy, NIST Traceable
- Custom Dial
- Special Connection Size
- Other Lens Material
- Cleaned for Oxygen Service
- Dual Scale

*Lead times/minimums may apply

APPROXIMATE SHIPPING WEIGHTS/ BOX QUANTITIES

Dial	Unit	A	B	C	D	Conn.	E	F
2 1/2"	In.	2.95"	2.57"	1.23"	0.58"	1/4" NPT	1.05"	3.61"
	mm	75	65	31	15		27	92

Dial Size	Est. Unit Wt.	Box Qty
2 1/2"	0.65 lbs (0.30 kg)	upon request

LP1-SS LOW PRESSURE ALL STAINLESS

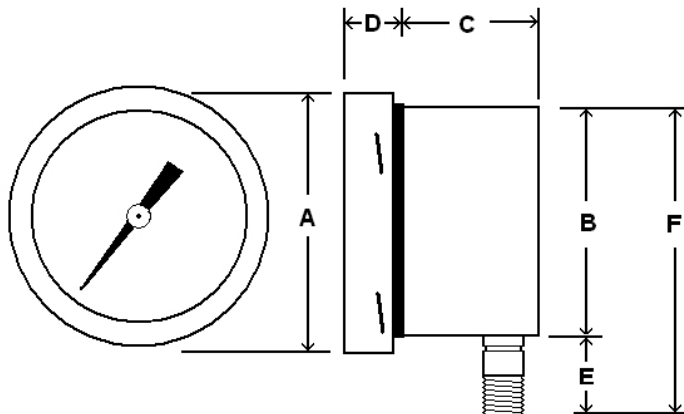
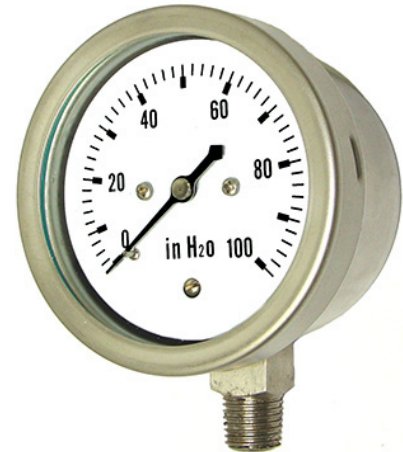


Capsule type pressure gauge for accurate measurement of low pressures
Suitable for air, water, oil, gas or any other media not corrosive to stainless steel

SPECIFICATIONS

Dial	2 ½" (63 mm), 4" (100 mm)
Case	Stainless steel, dry non-fillable
Wetted Parts	316 stainless steel
Bezel	Removable, stainless steel
Lens	Heavy duty glass
Pointer	Adjustable, black aluminum Adjustment screw on dial face
Connection	Lower mount ¼" NPT for 2 ½" & 4" dial ½" NPT for 4"
Scale	Standard: single scale inches of water column or psi
Accuracy	2-1-2% of span 2 ½" & 4" ASME B40.1 Grade A
Ambient Temp	-30° F to 180° F

Design meets or exceeds ASME B40.100 pressure gauge standard.



Dial	Unit	A	B	C	D	Conn.	E	F
2 ½"	In.	2.95"	2.55"	1.23"	0.58"	¼" NPT	1.00"	3.55"
	mm	75	65	31	15		25	90
4"	In.	4.38"	3.87"	1.27"	0.64"	¼" NPT	1.42"	5.30"
	mm	111	99	32.3	17		36	135

AVAILABLE OPTIONS*

- Certificate of Accuracy, NIST Traceable
- Custom Dial
- Special Connection Size
- Other Lens Material
- Cleaned for Oxygen Service
- Protective Rubber Cover, see page 77
- Dual Scale

*Lead times/minimums may apply

APPROXIMATE SHIPPING WEIGHTS/ BOX QUANTITIES

Dial Size	Est. Unit Wt.	Box Qty
2 ½"	0.55 lbs (0.26 kg)	50
4"	0.95 lbs (0.44 kg)	30

5



LP2-SS LOW PRESSURE ALL STAINLESS

Capsule type pressure gauge for accurate measurement of low pressures
Suitable for air, water, oil, gas or any other media not corrosive to stainless steel

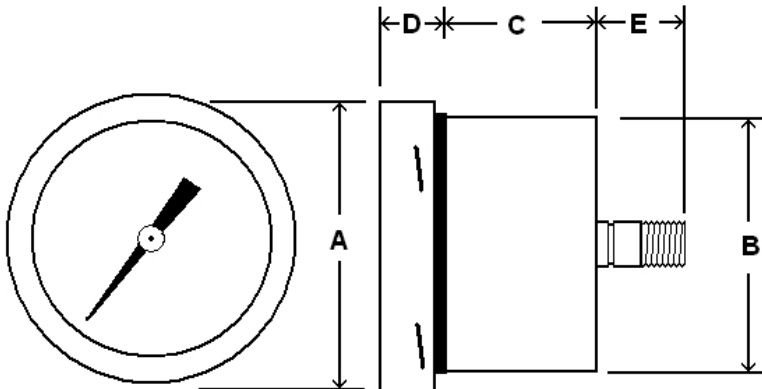
SPECIFICATIONS

Dial	2 ½" (63 mm)
Case	Stainless steel, dry non-fillable
Wetted Parts	316 stainless steel
Bezel	Removable, stainless steel
Lens	Heavy duty glass
Pointer	Adjustable, black aluminum Adjustment screw on dial face
Connection	Center back mount ¼" NPT
Scale	Standard: single scale inches of water column or psi
Accuracy	2-1-2% of span 2 ½" ASME B40.1 Grade A
Ambient Temp	-30° F to 180° F

Design meets or exceeds ASME B40.100 pressure gauge standard.



5



Dial	Unit	A	B	C	D	Conn.	E
2 ½"	In.	2.95"	2.57"	1.23"	0.58"	¼" NPT	1.05"
	mm	75	65	31	15		27

AVAILABLE OPTIONS*

- Certificate of Accuracy, NIST Traceable
- Custom Dial
- Special Connection Size
- Other Lens Material
- Cleaned for Oxygen Service
- Protective Rubber Cover, see page 119
- Dual Scale

*Lead times/minimums may apply

APPROXIMATE SHIPPING WEIGHTS/ BOX QUANTITIES

Dial Size	Est. Unit Wt.	Box Qty
2 ½"	0.60 lbs (0.28 kg)	upon request

LP3-SS LOW PRESSURE ALL STAINLESS

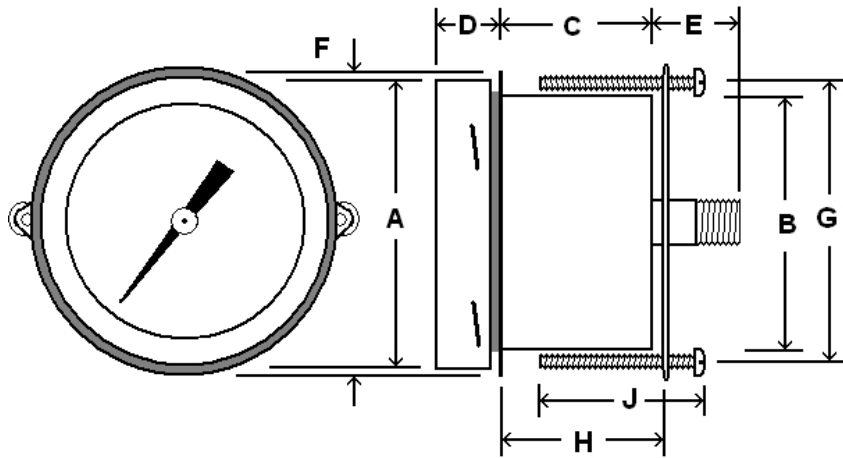


Capsule type pressure gauge for accurate measurement of low pressures
Suitable for air, water, oil, gas or any other media not corrosive to stainless steel

SPECIFICATIONS

Dial	2 1/2" (63 mm)
Case	Stainless steel, dry non-fillable
Wetted Parts	316 stainless steel
Bezel	Removable, stainless steel
Lens	Heavy duty glass
Pointer	Adjustable, black aluminum Adjustment screw on dial face
Connection	Center back mount with u-clamp 1/4" NPT
Scale	Standard: single scale inches of water column or psi
Accuracy	2-1-2% of span on 2 1/2" ASME B40.1 Grade A
Ambient Temp	-30° F to 180° F

Design meets or exceeds ASME B40.100 pressure gauge standard.



Dial	Unit	A	B	C	D	Conn.	E
2 1/2"	In.	2.95"	2.56"	1.33"	0.55"	1/4" NPT	1.10"
	mm	75	65	34	14		28

Dial	Unit	F	G	H	J
2 1/2"	In.	3.22"	2.83"	1.46"	1.46"
	mm	82	72	37	37

AVAILABLE OPTIONS*

- Certificate of Accuracy, NIST Traceable
- Custom Dial
- Special Connection Size
- Other Lens Material
- Cleaned for Oxygen Service
- Dual Scale

*Lead times/minimums may apply

APPROXIMATE SHIPPING WEIGHTS/ BOX QUANTITIES

Dial Size	Est. Unit Wt.	Box Qty
2 1/2"	0.65 lbs (0.30 kg)	upon request



LP4-SS LOW PRESSURE STAINLESS STEEL CASE

Capsule type pressure gauge for accurate measurement of low pressures
 Suitable for air, water, oil, gas or any other media not corrosive to stainless steel

SPECIFICATIONS

Dial	2 1/2" (63 mm)
Case	Stainless steel, dry non-fillable
Wetted Parts	316 stainless steel
Bezel	Removable, stainless steel
Lens	Heavy duty glass
Pointer	Adjustable, black aluminum Adjustment screw on dial face
Connection	Center back mount with front flange 1/4" NPT
Scale	Standard: single scale inches of water column or psi
Accuracy	2-1-2% of span 2 1/2" ASME B40.1 Grade A
Ambient Temp	-30° F to 180° F

Design meets or exceeds ASME B40.100 pressure gauge standard.

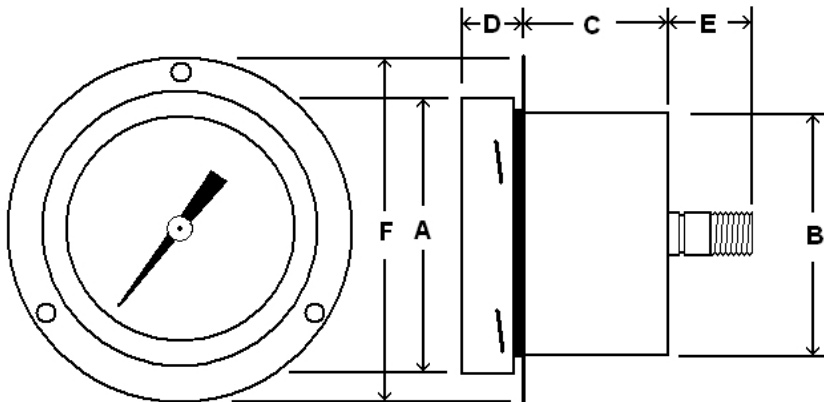


AVAILABLE OPTIONS*

- Certificate of Accuracy, NIST Traceable
- Custom Dial
- Special Connection Size
- Other Lens Material
- Cleaned for Oxygen Service
- Dual Scale

*Lead times/minimums may apply

5



APPROXIMATE SHIPPING WEIGHTS/ BOX QUANTITIES

Dial	Unit	A	B	C	D	Conn.	E	F
2 1/2"	In.	2.95"	2.57"	1.23"	0.58"	1/4" NPT	1.05"	3.61"
	mm	75	65	31	15		27	92

Dial Size	Est. Unit Wt.	Box Qty
2 1/2"	0.65 lbs (0.30 kg)	upon request

LP1-PS LOW PRESSURE PHENOLIC CASE



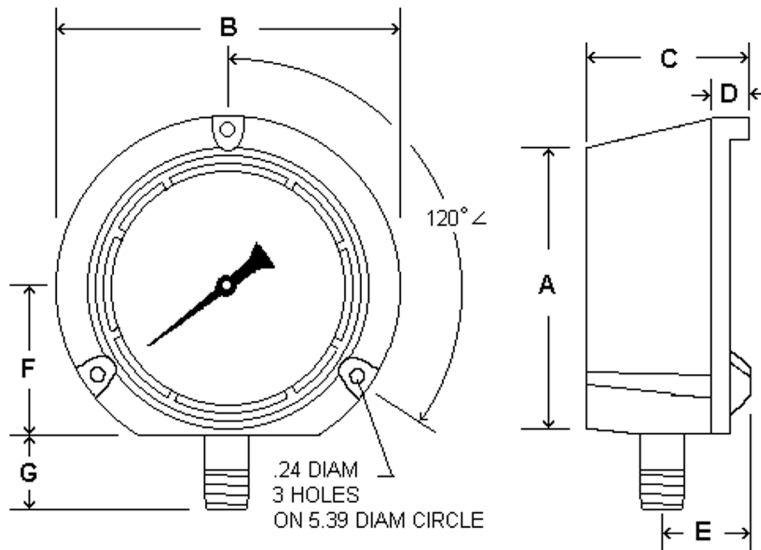
Capsule type pressure gauge for accurate measurement of low pressures
Suitable for air, water, oil, gas or any other media not corrosive to stainless steel

SPECIFICATIONS

Dial	4 1/2" (115 mm)
Case	Phenolic, dry non-fillable
Wetted Parts	316 stainless steel
Bezel	Phenolic
Lens	Tempered glass
Pointer	Adjustable, black aluminum Adjustment screw on dial face
Connection	Lower mount 1/2" or 1/4" NPT
Scale	Standard: single scale inches of water column or psi
Accuracy	2-1-2% of span ASME B40.1 Grade A
Ambient Temp	-30° F to 180° F



Design meets or exceeds ASME B40.100 pressure gauge standard.



Dial	Unit	A	B	C	D	E	F	G	NPT
4 1/2"	In.	5.10"	5.83"	3.23"	1.07"	1.65"	2.60"	1.41"	1/4" or 1/2"
	mm	130	148	82	27	42	66	36	

AVAILABLE OPTIONS*

- Certificate of Accuracy, NIST Traceable
- Custom Dial
- Special Connection Size
- Other Lens Material
- Cleaned for Oxygen Service
- Dual Scale

*Lead times/minimums may apply

APPROXIMATE SHIPPING WEIGHTS/ BOX QUANTITIES

Dial Size	Est. Unit Wt.	Box Qty
4 1/2"	2.10 lbs (0.96 kg)	upon request

STANDARD DIAL CONFIGURATIONS FOR LP1-PS SERIES

Dial Range	Figure Intervals	Graduation Intervals	Dial Range	Figure Intervals	Graduation Intervals	Dial Range	Figure Intervals	Graduation Intervals
200/0"wc Vac	20" wc	2" wc	0/15" wc	3" wc	0.2" wc	0/100" wc	20" wc	2" wc
100/0"wc Vac	10" wc	1" wc	0/30" wc	5" wc	0.5" wc	0/200" wc	20" wc	2" wc
30/0"wc Vac	5" wc	0.5" wc	0/60" wc	10" wc	0.5" wc			

Because of continuing improvements, increments and specifications are subject to change without notice. Consult PIC Gauges for availability.



DIGITAL PRESSURE GAUGE

General purpose digital pressure gauge, backlit LED display for clear, concise readings

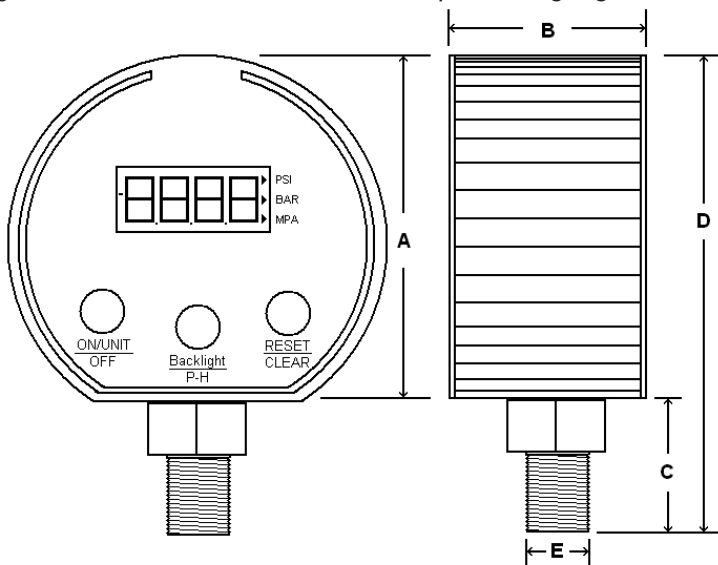
SPECIFICATIONS

Dial	3" (76 mm)
Case	Black aluminum
Display	4 digits standard
Wetted Parts	304L & 316L stainless steel
Ranges	Standard ranges from 30" hg vac to 5,000 psi
Connection	Lower mount 1/4" NPT for 3"
Measurement Units	psi, BAR, MPa
Accuracy	0.25% of span on 3" ASME B40.1 Grade 3A
Ambient Temp	14° F to 140° F
Power Supply	9 volt battery
Functions	Zero reset Backlight Peak/Hold

Design meets or exceeds ASME B40.100 pressure gauge standard.



5



Dial	Unit	A	B	C	D	E
3"	In.	3.35"	2.03"	0.92"	4.21"	1/4"
	mm	85	52	23	107	NPT

Dial Size	Standard Part Numbers
3"	DPG-254L(RANGE CODE)

Stock Ranges	
A = 30/0" Hg Vac	L = 0/800 psi
E = 0/100 psi	M = 0/1000 psi
H = 0/300 psi	P = 0/3000 psi
R = 0/5000 psi	

AVAILABLE OPTIONS*

- Certificate of Accuracy, NIST Traceable
- Protective Rubber Cover, see page 119
- Special Connection Size

*Lead times/minimums may apply

APPROXIMATE SHIPPING WEIGHTS/ BOX QUANTITIES

Dial Size	Est. Unit Weight	Box Qty
3"	1.10 lbs (0.50 kg)	upon request

BULK-HD SERIES

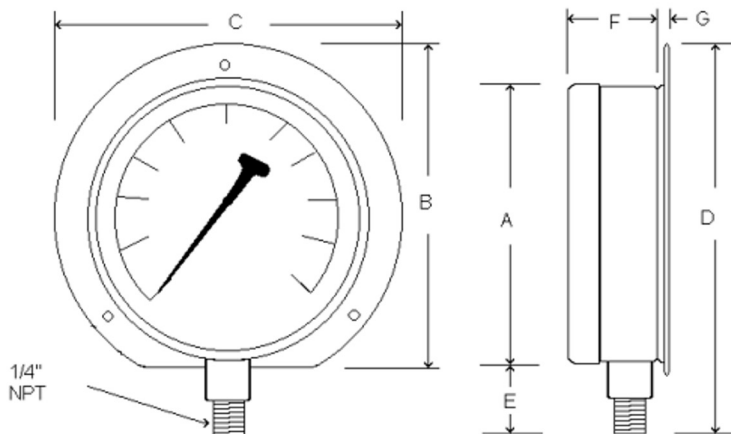


Heavy duty 4 1/2" gauge designed for the dry bulk tanker market
With anti-vibration movement for enhanced repeatability and durability

SPECIFICATIONS

Dial	4 1/2" (113 mm)
Case	Black steel, epoxy coated with Removable back flange Dry, non-fillable
Wetted Parts	Copper alloy
Movement	Heavy duty stainless steel Anti-vibration
Ranges	Standard: 0/30 psi, 30" Hg Vac/0/30 psi
Lens	Plastic
Pointer	Adjustable, black aluminum
Connection	Lower mount 1/4" NPT
Scale	Standard: single scale psi
Accuracy	1% of span, ASME B40.1 Grade 1A
Ambient Temp	-40° F to 140° F

Design meets or exceeds ASME B40.100 pressure gauge standard.



Dial	Unit	A	B	C	D	E	F	G
4 1/2"	In.	4.95"	5.43"	5.90"	6.34"	0.98"	1.34"	0.20"
	mm	126	138	150	161	25	34	5

STANDARD DIAL CONFIGURATIONS

Part Number	Dial Range	Figure Intervals	Graduation Intervals
BULK-HD-454L-CC	30/0/30 psi	10" hg/10psi	1" hg/1 psi
BULK-HD-454L-C	0/30 psi	5 psi	0.5 psi

AVAILABLE OPTIONS*

- Certificate of Accuracy, NIST Traceable
- Custom Dial
- Special Connection Size
- Other Lens Material

*Lead times/minimums may apply

APPROXIMATE SHIPPING WEIGHTS/ BOX QUANTITIES

Dial Size	Est. Unit Wt.	Box Qty
4 1/2"	1.10 lbs (0.50 kg)	upon request

S215L BACK FLANGE

Glycerine filled for added durability in applications where vibration or pulsation is present
 Stainless steel case and bezel, copper alloy internals
 Heavy duty gauge designed for the dry bulk tanker market

SPECIFICATIONS

Dial	4" (100 mm)
Case	Stainless steel with removable back flange Glycerine filled
Wetted Parts	Copper alloy
Ranges	Standard: 0/30 psi
Bezel	Stainless steel, fixed
Lens	Plastic
Pointer	Black aluminum
Connection	Lower mount 1/4" NPT
Scale	Standard: single scale psi
Accuracy	1% of span, ASME B40.1 Grade 1A
Ambient Temp	Glycerine Filled = 30° F to 160° F Dry = -30° F to 180° F



Design meets or exceeds ASME B40.100 pressure gauge standard.

AVAILABLE OPTIONS*

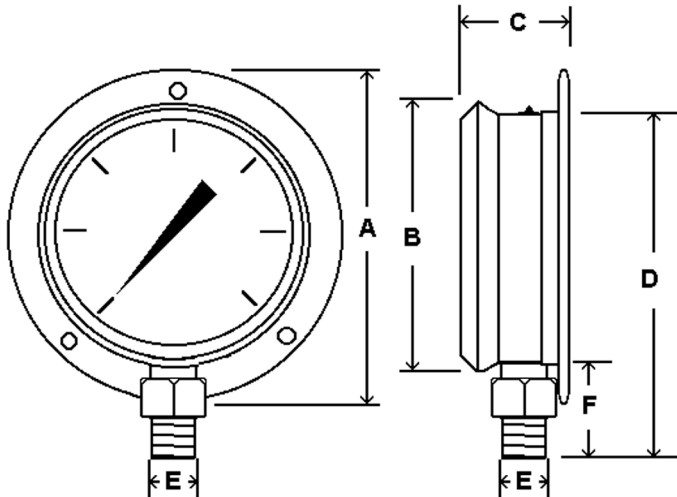
- Certificate of Accuracy, NIST Traceable
- Custom Dial
- Special Connection Size
- Other Lens Material
- Alternate Ranges

*Lead times/minimums may apply

APPROXIMATE SHIPPING WEIGHTS/ BOX QUANTITIES

Dial Size	Est. Unit Wt.	Box Qty
4"	1.65 lbs (0.74 kg)	30

5



Dial	Unit	A	B	C	D	E	F
4"	In.	5.13"	4.29"	1.77"	5.19"	1/4"	1.30"
	mm	130	109	45	132	NPT	38

STANDARD DIAL CONFIGURATIONS

Part Number	Dial Range	Figure Intervals	Graduation Intervals
S215L-404C	0/30 psi	3 psi	0.2 psi

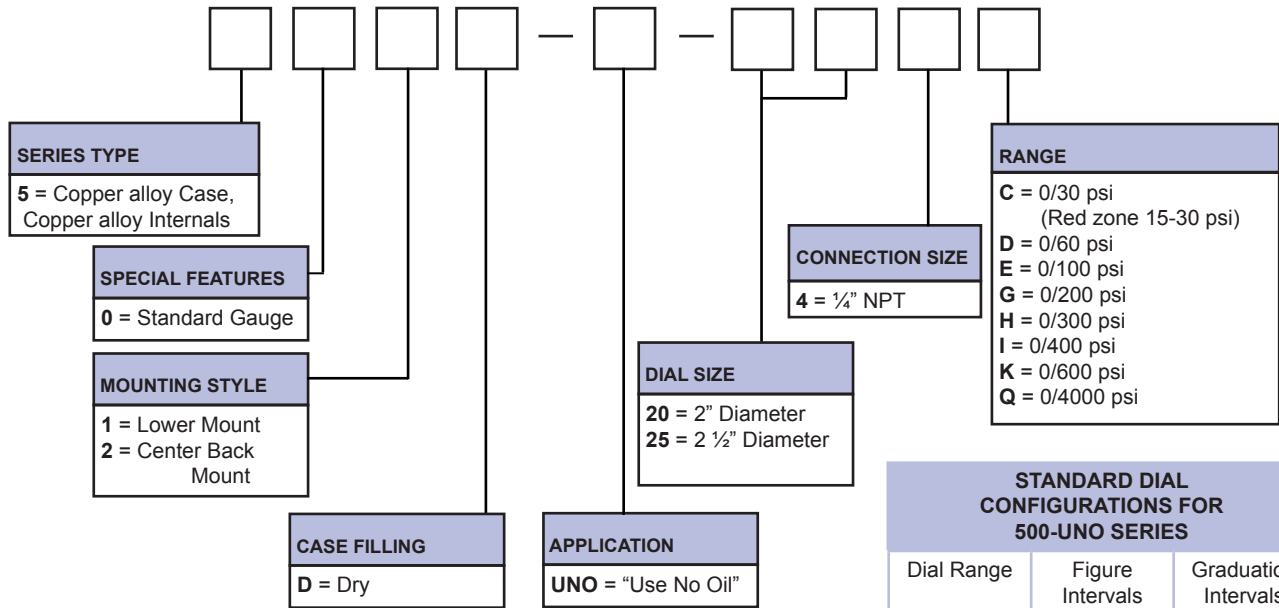
500-UNO SERIES



“Use No Oil” gauge designed for use on compressed gas regulators and tanks
copper alloy case, twist off lens, copper alloy internals



PART NUMBERING SYSTEM



EXAMPLE APPLICATIONS

Welding
Beverage
Cryogenic

STANDARD DIAL CONFIGURATIONS FOR 500-UNO SERIES

Dial Range	Figure Intervals	Graduation Intervals
0/30 psi	10 psi	1 psi
0/60 psi	10 psi	1 psi
0/100 psi	20 psi	2 psi
0/200 psi	40 psi	5 psi
0/300 psi	50 psi	5 psi
0/400 psi	50 psi	5 psi
0/600 psi	100 psi	20 psi
0/4000 psi	500 psi	100 psi

NOTE: Because of continuing improvements, increments and specifications are subject to change.
Stock ranges vary by dial size and configuration. Consult PIC Gauges for availability.

5

“Use No Oil” gauge designed for use on compressed gas regulators and tanks
copper alloy case, twist off lens, copper alloy internals

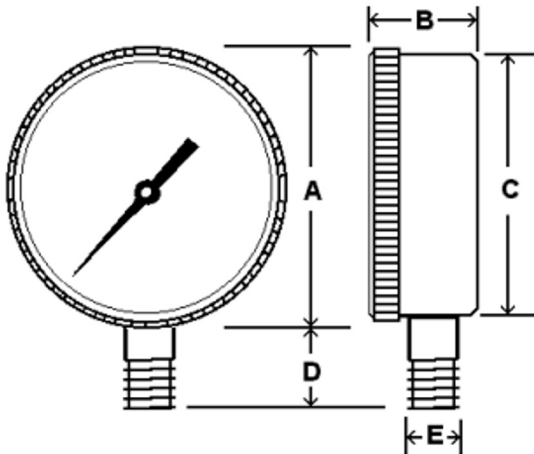
SPECIFICATIONS

Dial	2" (50 mm), 2 ½" (63 mm)
Case	Highly polished copper alloy, dry non-fillable
Wetted Parts	Copper alloy
Bezel	Removable lens
Lens	Plastic, twist on
Pointer	Black aluminum
Connection	Lower mount ¼" NPT
Scale	Standard: single scale psi
Accuracy	3-2-3% of span, ASME B40.1 Grade B
Ambient Temp	-4° F to 140° F

Design meets or exceeds ASME B40.100 pressure gauge standard.



5



Dial	Unit	A	B	C	D	E
2"	In.	2.31"	1.2"	2.07"	1.13"	¼" NPT
	mm	59	31	53	29	
2 ½"	In.	2.83"	1.13"	2.65"	1.13"	¼" NPT
	mm	72	29	68	29	

AVAILABLE OPTIONS*

- Custom Dial
- Special Connection Size
- Cleaned for Oxygen Service
- Ⓛ Listed (UL 252A or UL 404)
- Alternate Case Material
 - Painted Steel
 - Plastic
 - Stainless Steel

*Lead times/minimums may apply

APPROXIMATE SHIPPING WEIGHTS/ BOX QUANTITIES

Dial Size	Est. Unit Wt.	Box Qty
2"	0.30 lbs (0.12 kg)	upon request
2 ½"	0.35 lbs (0.16 kg)	upon request

502D-UNO SERIES

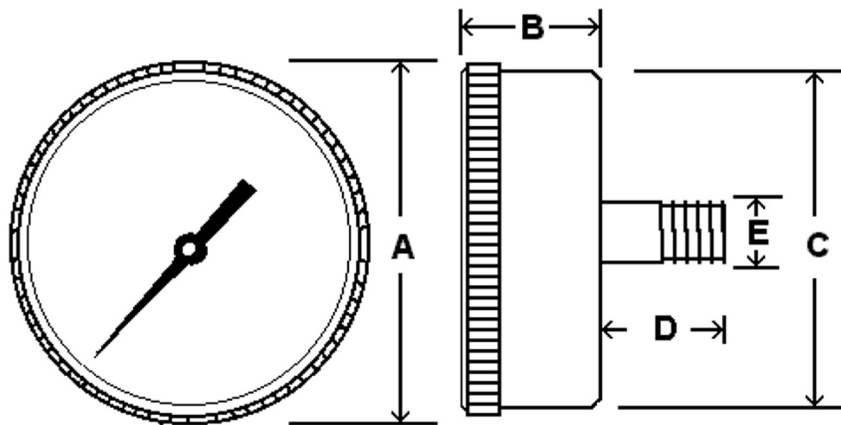


**“Use No Oil” gauge designed for use on compressed gas regulators and tanks
copper alloy case, twist off lens, copper alloy internals**

SPECIFICATIONS

Dial	2" (50 mm), 2 ½" (63 mm)
Case	Highly polished copper alloy, dry non-fillable
Wetted Parts	Copper alloy
Bezel	Removable lens
Lens	Plastic, twist on
Pointer	Black aluminum
Connection	Center back mount ¼" NPT
Scale	Standard: single scale psi
Accuracy	3-2-3% of span, ASME B40.1 Grade B
Ambient Temp	-4° F to 140° F

Design meets or exceeds ASME B40.100 pressure gauge standard.



AVAILABLE OPTIONS*

- Custom Dial
- Special Connection Size
- Cleaned for Oxygen Service
- UL Listed (UL 252A or UL 404)
- Alternate Case Material
 - Painted Steel
 - Plastic
 - Stainless Steel

*Lead times/minimums may apply

Dial	Unit	A	B	C	D	E
2"	In.	2.31"	1.08"	2.10"	0.84"	¼"
	mm	59	27	53	21	NPT
2 ½"	In.	2.83"	1.13"	2.65"	1.13"	¼"
	mm	72	29	68	29	NPT

APPROXIMATE SHIPPING WEIGHTS/ BOX QUANTITIES

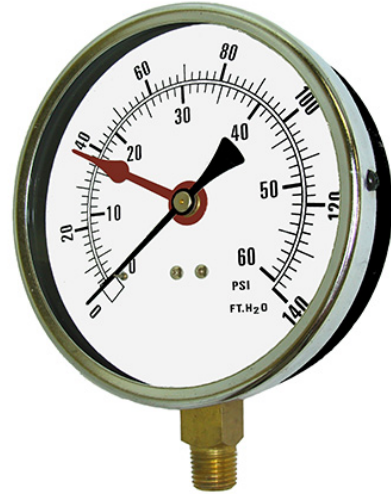
Dial Size	Est. Unit Wt.	Box Qty
2"	0.30 lbs (0.12 kg)	upon request
2 ½"	0.35 lbs (0.16 kg)	upon request

For measuring head pressure, water level/depth in tower, tank or well
 Suitable for air, water, oil, gas or other media not corrosive to copper alloy

SPECIFICATIONS

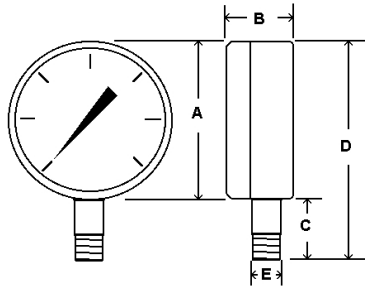
Dial	3 1/2" (89 mm), 4 1/2" (114 mm)
Case	Black steel, dry non-fillable
Wetted Parts	Copper alloy
Ranges	0/15 psi to 0/200 psi
Bezel	Chrome
Lens	Plastic
Pointer	Black aluminum, adjustable red set hand
Connection	Lower mount 1/4" NPT
Scale	Standard: psi/Feet of water column
Accuracy	3-2-3% of span ASME B40.1 Grade B
Ambient Temp	-50° F to 160° F

Design meets or exceeds ASME B40.100 pressure gauge standard.



AVAILABLE OPTIONS*

- Certificate of Accuracy, NIST Traceable
- Custom Dial
- Special Connection Size
- Other Ranges



5

Dial	Unit	A	B	C	D	E	Ranges		
3 1/2"	In.	3.53"	1.14"	1.02"	4.55"	1/4" NPT	Range Code	psi	Ft. of Water Col.
	mm	90	29	26	116		B	0/15	0/34
4 1/2"	In.	4.89"	1.16"	1.16"	6.05"	1/4" NPT	C	0/30	0/70
	mm	124	29	29	154		D	0/60	0/140
							E	0/100	0/230
							F	0/160	0/370
							G	0/200	0/460

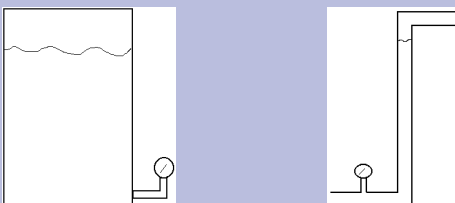
*Lead times/minimums may apply

APPROXIMATE SHIPPING WEIGHTS/BOX QUANTITIES

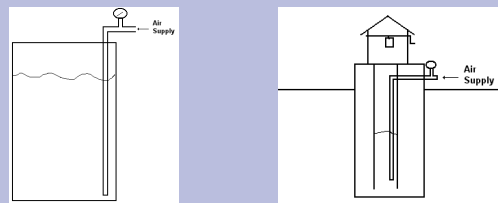
Dial Size	Est. Unit Wt.	Box Qty
3 1/2"	0.5 lbs/(0.24 kg)	upon request
4 1/2"	0.65 lbs/(0.3 kg)	upon request

Note:

1. For tower or tank depth or head pressure, gauge should be mounted at the lowest possible point as pressure/depth reading is from gauge level up.



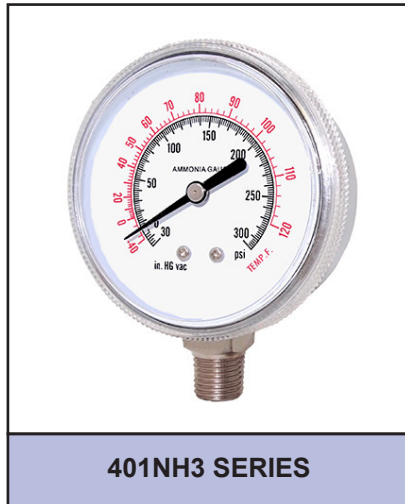
2. For well depth or tank depth where gauge is mounted above max fill line, gauge must be mounted on air line going into top of tank (or well) and straight down vertically to maximum depth to be measured.



AMMONIA REFRIGERATION GAUGES



For ammonia refrigeration applications, PIC Gauges ammonia gauges measure ammonia refrigerant pressure and corresponding temperature.



STANDARD DIAL CONFIGURATIONS FOR AMMONIA SERIES			
Part Number	Dial Range	Figure Intervals	Graduation Intervals
401NH3-254CF	30/0/150	30" hg/25 psi	5" hg/5 psi
401NH3-254CH	30/0/300	30" hg/50 psi	5" hg/5 psi
401NH3-404CF	30/0/150	30" hg/25 psi	5" hg/5 psi
401NH3-404CH	30/0/300	30" hg/50 psi	5" hg/5 psi
AMMONIA-LF-254CF	30/0/150	30" hg/20 psi	5" hg/2 psi
AMMONIA-LF-254CH	30/0/300	30" hg/50 psi	10" hg/5 psi
AMMONIA-LF-404CF	30/0/150	30" hg/25 psi	5" hg/5 psi
AMMONIA-LF-404CH	30/0/300	30" hg/50 psi	5" hg/5 psi

*For Agricultural Ammonia gauges, see page 91.

NOTE: Because of continuing improvements, increments and specifications are subject to change. Stock ranges vary by dial size and configuration. Consult PIC Gauges for availability.

Dry non-fillable gauge for ammonia refrigeration applications
Chrome plated steel case, stainless steel internals and steel socket

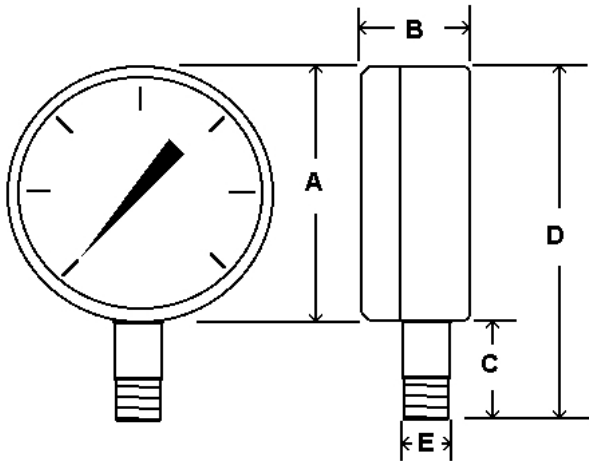
SPECIFICATIONS

Dial	2 1/2" (63 mm), 4" (100 mm)
Case	Chrome plated steel case, dry non-fillable
Wetted Parts	Steel socket, stainless steel Bourdon tube
Ranges	30/0/150 psi/-40/0/80° F 30/0/300 psi/-40/0/120° F
Bezel	Removable lens
Lens	Plastic, twist-off
Pointer	2 1/2" - adjustable, black aluminum 4" - without adjustment, black aluminum
Connection	Lower mount 1/4" NPT
Scale	Standard: psi/° F temperature equivalent
Accuracy	3-2-3% of span ASME B40.1 Grade B
Ambient Temp	Dry = -40° F to 180° F



Design meets or exceeds ASME B40.100 pressure gauge standard.

5



Dial	Unit	A	B	C	D	E
2 1/2"	In.	2.87"	1.14"	0.84"	2.65"	1/4" NPT
	mm	73	29	21	67	
4"	In.	4.21"	1.35"	1.03"	3.89"	1/4" NPT
	mm	107	34	26	99	

AVAILABLE OPTIONS*

- Custom Dial
- Special Connection Size
- Other Ranges

*Lead times/minimums may apply

APPROXIMATE SHIPPING WEIGHTS/ BOX QUANTITIES

Dial Size	Est. Unit Wt.	Box Qty
2 1/2"	0.3 lbs (0.14 kg)	50
4"	0.55 lbs (0.24 kg)	50

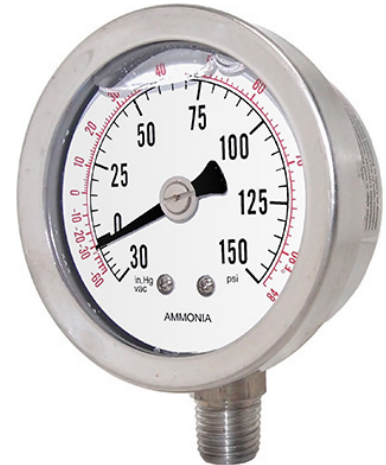
AMMONIA-LF SERIES



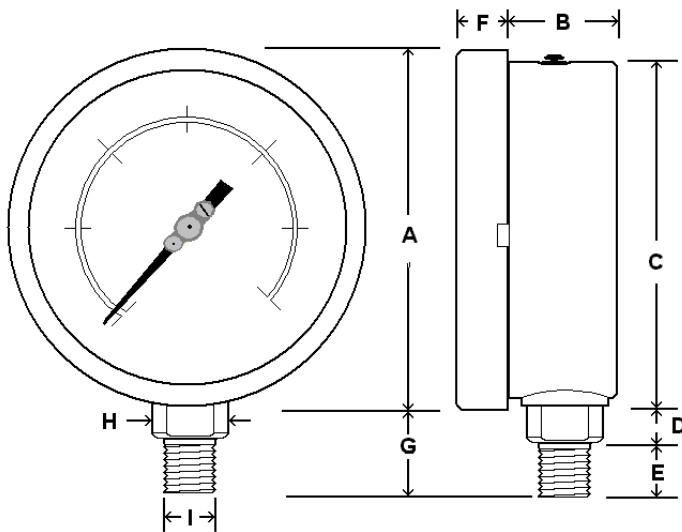
Glycerine filled gauge for ammonia refrigeration applications
Stainless steel case, 316 stainless steel internals

SPECIFICATIONS

Dial	2 ½" (63 mm), 4" (100 mm)
Case	Stainless steel, glycerine filled
Wetted Parts	316 stainless steel
Ranges	30/0/150 psi/-40/0/80° F 30/0/300 psi/-40/0/120° F
Bezel	Removable, stainless steel
Lens	Polycarbonate
Pointer	Adjustable, black aluminum
Connection	Lower mount ¼" NPT
Scale	Standard: psi/° F temperature equivalent
Accuracy	2-1-2% of span ASME B40.1 Grade A
Ambient Temp	Glycerine Filled = 30° F to 160° F Dry = -40° F to 180° F



Design meets or exceeds ASME B40.100 pressure gauge standard.



Dial	Unit	A	B	C	D	E	F	G	H	I
2 ½"	In.	2.72"	0.76"	2.50"	0.24"	0.49"	0.44"	0.70"	0.55"	¼" NPT
	mm	69	19.5	64	6.2	12.4	11.3	18	14	
4"	In.	4.32"	1.30"	4.06"	0.52"	0.58"	0.57"	1.08"	0.84"	¼" NPT
	mm	110	33	103	13.3	15	14.6	27.5	21.5	

AVAILABLE OPTIONS*

- Custom Dial
- Liquid Fill Options, see page 173
- Glow Dials
- Special Connection Size
- Other Ranges

*Lead times/minimums may apply

APPROXIMATE SHIPPING WEIGHTS/ BOX QUANTITIES

Dial Size	Est. Unit Wt.	Box Qty
2 ½"	0.50 lbs (0.22 kg)	100
4"	1.75 lbs (0.80 kg)	30



AMMONIA-604 LOWER BACK MOUNT

Heavy duty 6" dry yet fillable gauge for ammonia refrigeration applications
Stainless steel case, 316 stainless steel internals

SPECIFICATIONS

Dial	6" (152 mm)
Case	Stainless steel, dry yet fillable, With back flange
Wetted Parts	316 stainless steel
Ranges	30/0/150 psi/-100/0/86° F 30/0/300 psi/-100/0/125° F
Bezel	Removable, stainless steel
Lens	Tempered glass
Pointer	Adjustable, black aluminum
Connection	Lower back mount 1/4" NPT
Scale	Standard: psi/° F temperature equivalent
Accuracy	0.5% of span ASME B40.1 Grade 2A
Ambient Temp	Dry = -30° F to 180° F Glycerine Filled = 30° F to 160° F



AVAILABLE OPTIONS*

- Certificate of Accuracy, NIST traceable
- Custom Dial
- Special Connection Size
- Cleaned for Oxygen Service
- Plastic Lens

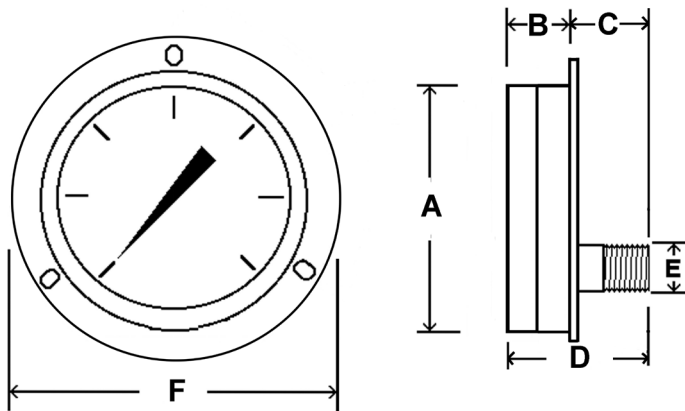
*Lead times/minimums may apply

APPROXIMATE SHIPPING WEIGHTS/ BOX QUANTITIES

Dial Size	Est. Unit Wt.	Box Qty
6"	2.45 lbs (1.12 kg)	upon request

5

Design meets or exceeds ASME B40.100 pressure gauge standard.



Dial	Unit	A	B	C	D	E	F
6"	In.	6.75"	2.00"	1.53"	3.53"	1/4"	7.65"
	mm	171	50	38	88	NPT	194

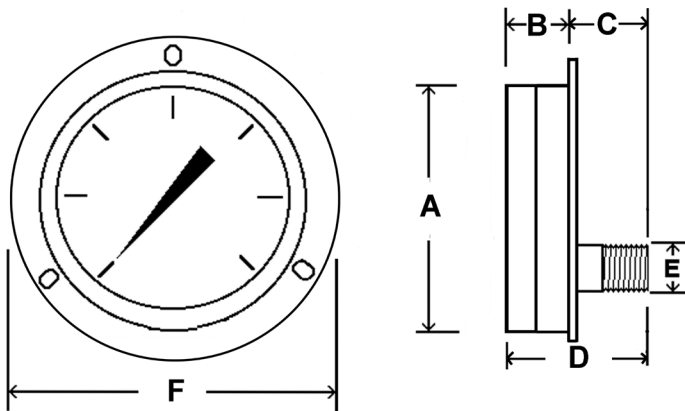
AMMONIA-804 LOWER BACK MOUNT



Heavy duty all stainless gauge
Removable bezel, adjustable pointer
Suitable for applications not corrosive to stainless steel

SPECIFICATIONS

Dial	8" (203 mm)
Case	Stainless steel, dry non-fillable, rear flange
Wetted Parts	316 stainless steel
Ranges	30/0/150 psi/-100/0/84° F 30/0/300 psi/-100/0/125° F
Bezel	Removable, black aluminum
Lens	Tempered glass
Pointer	Adjustable, black aluminum
Connection	Lower back mount 1/4" NPT
Scale	Standard: psi/° F temperature equivalent
Accuracy	1% of span ASME B40.1 Grade 1A
Ambient Temp	-30° F to 180° F



Dial	Unit	A	B	C	D	E	F
8"	In.	7.93"	1.59"	1.41"	3.00"	1/4"	9.13"
	mm	201	40	36	76	NPT	232

AVAILABLE OPTIONS*

- Certificate of Accuracy, NIST traceable
- Custom Dial
- Special Connection Size
- Cleaned for Oxygen Service
- Plastic Lens

*Lead times/minimums may apply

APPROXIMATE SHIPPING WEIGHTS/ BOX QUANTITIES

Dial Size	Est. Unit Wt.	Box Qty
8"	3.95 lbs (1.80 kg)	upon request

5



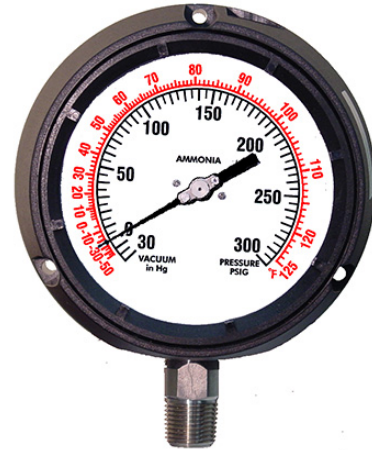
ADDITIONAL AMMONIA GAUGES

Ammonia refrigerant gauges

AMMONIA PROCESS GAUGE SPECIFICATIONS

Dial	4 1/2" (114 mm), 6" (160 mm)
Case	Phenolic - Solid front blow out back on 4 1/2"
	Aluminum with hinged front flange on 4 1/2" & 6"
Wetted Parts	316 stainless steel
Ranges	30/0/150 psi/-40/0/80° F 30/0/300 psi/-40/0/120° F
Bezel	Removable
Lens	Polycarbonate
Pointer	Adjustable, black aluminum
Connection	Lower mount or lower back mount 1/4" or 1/2" NPT for 4 1/2" & 6"
Scale	Standard: psi/° F temperature equivalent
Accuracy	0.5% of span on 4 1/2" & 6" ASME B40.1 Grade 2A
Ambient Temp	Glycerine Filled = 30° F to 160° F Dry = -30° F to 180° F

Design meets or exceeds ASME B40.100 pressure gauge standard.



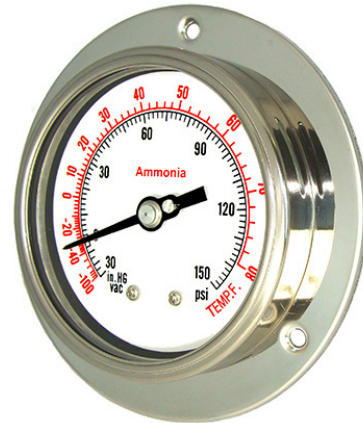
4501 4502 4504 6504
page <OV> - page 58

5

AMMONIA PANEL MOUNT SPECIFICATIONS

Dial	2 1/2" (63 mm), 4" (100 mm), 6" (160 mm)
Case	Stainless steel
Wetted Parts	316 stainless steel
Ranges	30/0/150 psi/-40/0/80° F 30/0/300 psi/-40/0/120° F
Bezel	Stainless steel, removable
Lens	Laminated safety glass
Pointer	Adjustable, black aluminum
Connection	Lower back mount with front flange 1/4" NPT for 2 1/2" 1/4" or 1/2" NPT for 4" & 6"
Scale	Standard: psi/° F temperature equivalent
Accuracy	1% of span ASME B40.1 Grade 1A
Ambient Temp	Glycerine Filled = 30° F to 160° F Dry = -30° F to 180° F

Design meets or exceeds ASME B40.100 pressure gauge standard.



314D-254/404/6004
page 42 & page 55

401A SERIES AGRICULTURAL AMMONIA GAUGE

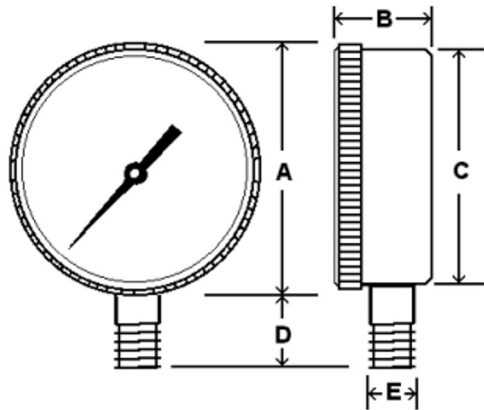
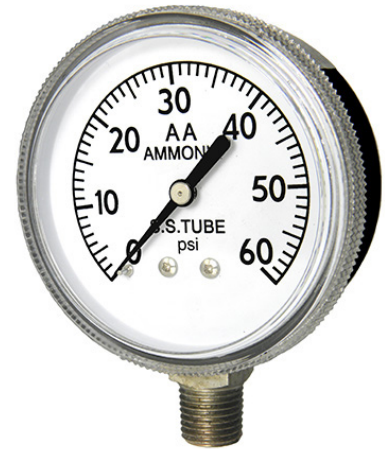


Dry, non-fillable gauge for agricultural ammonia applications
 Black painted steel case, stainless steel internals and steel socket

SPECIFICATIONS

Dial	2 1/2" (63 mm), 4" (100 mm)
Case	Black painted steel, dry non-fillable
Wetted Parts	Stainless steel bourdon tube Steel connection
Ranges	0/60 psi, 0/160 psi, 0/400 psi
Bezel	Removable lens
Lens	Plastic, twist-off
Pointer	Black aluminum
Connection	Lower mount 1/4" NPT
Scale	Standard: single scale psi
Accuracy	3-2-3% of span, ASME B40.1 Grade B
Ambient Temp	-40° F to 180° F

Design meets or exceeds ASME B40.100 pressure gauge standard.



Dial	Unit	A	B	C	D	E
2 1/2"	In.	2.84"	1.18"	2.65"	0.67"	1/4" NPT
	mm	72	30	67	17	
4"	In.	4.05"	1.40"	3.87"	0.89"	1/4" NPT
	mm	103	36	98	23	

STANDARD DIAL CONFIGURATIONS FOR AGRICULTURAL AMMONIA SERIES

Part Number	Dial Size	Dial Range	Figure Intervals	Graduation Intervals
401A-254D	2 1/2"	0/60 psi	10 psi	1 psi
401A-254F	2 1/2"	0/160 psi	40 psi	5 psi
401A-254I	2 1/2"	0/400 psi	100 psi	10 psi
401A-404D	4"	0/60 psi	10 psi	2 psi
401A-404F	4"	0/160 psi	40 psi	5 psi
401A-404I	4"	0/400 psi	100 psi	10 psi

AVAILABLE OPTIONS*

- Custom Dial
- Special Connection Size
- Other Ranges

*Lead times/minimums may apply

APPROXIMATE SHIPPING WEIGHTS/ BOX QUANTITIES

Dial Size	Est. Unit Wt.	Box Qty
2 1/2"	0.25 lbs (0.12 kg)	50
4"	0.65 lbs (0.30 kg)	upon request



RECTANGLE (EDGE) GAUGE

Compact rectangle/edge gauge, plastic case, copper alloy wetted parts
 Suitable for air, water, oil, gas or other media not corrosive to copper alloy

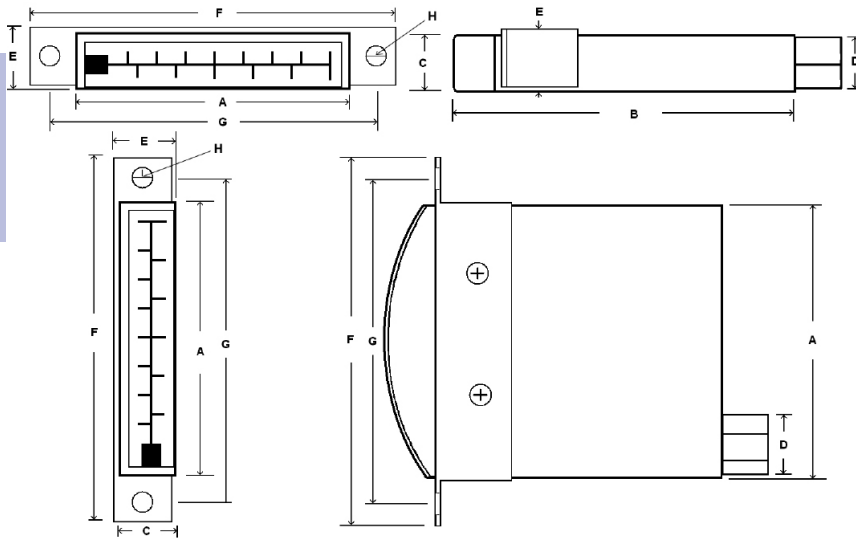
SPECIFICATIONS

Dial	1 3/4" x 1/2" horizontal or vertical
Case	Plastic, with or without mounting bracket
Wetted Parts	Copper alloy
Ranges	0/60 psi, 0/100 psi, 0/120 psi
Lens	Plastic
Pointer	Red plastic
Connection	Back mount 10/32" female thread or 1/32" hose barb connection
Scale	Standard: psi/kg/cm ²
Accuracy	5% of span on ASME B40.1 Grade D
Ambient Temp	Dry = -50° F to 160° F

Design meets or exceeds ASME B40.100 pressure gauge standard.



5



Shown with optional panel mount front bracket
 Hole dimension of bracket is 4.2mm +/-0.01mm

Dial	Unit	A	B	C	D	E	F	G	H
1 3/4"	In.	1.76"	2.28"	0.51"	0.43"	0.55"	2.5"	2.16"	0.17"
	mm	45	58	13	11	14	63.6	55	4.2

STANDARD CONFIGURATIONS

Part Number	Range	Connection	Bracket
RECT-60FB	0/60 psi	10/32 back	Front
RECT-60NB	0/60 psi	10/32 back	None
RECT-100FB	0/100 psi	10/32 back	Front
RECT-120FB	0/120 psi	10/32 back	Front

AVAILABLE OPTIONS*

- Single Scale psi
- Special Connection Size
- Other Ranges
- Other Mounting Options/Styles
 - Front Bracket
 - Rear Bracket
 - Panel Flange
 - Panel Clip

*Lead times/minimums may apply

APPROXIMATE SHIPPING WEIGHTS/ BOX QUANTITIES

Size	Est. Unit Wt.	Box Qty
1 3/4"	0.10 lbs (0.04 kg)	upon request

GT SERIES GAS TEST GAUGE



Utility gas test gauge with horizontal, vertical or bell shaped housing
For pressure tests of residential and commercial piping systems

SPECIFICATIONS

Dial	2" (50 mm)
Case	Black painted steel, dry non-fillable
Wetted Parts	Copper alloy Bourdon tube & socket Steel block (Horizontal/vertical chrome plated steel)
Ranges	Standard ranges: 0/15 psi to 0/200 psi
Bezel	Plastic
Lens	Plastic, snap in
Pointer	Black aluminum
Connection	Lower mount 1/2", 3/4" or 1" FNPT
Scale	Standard: single scale psi
Accuracy	3-2-3% of span, ASME B40.1 Grade B
Ambient Temp	-40° F to 160° F
Test Block	Steel with valve for pressurization

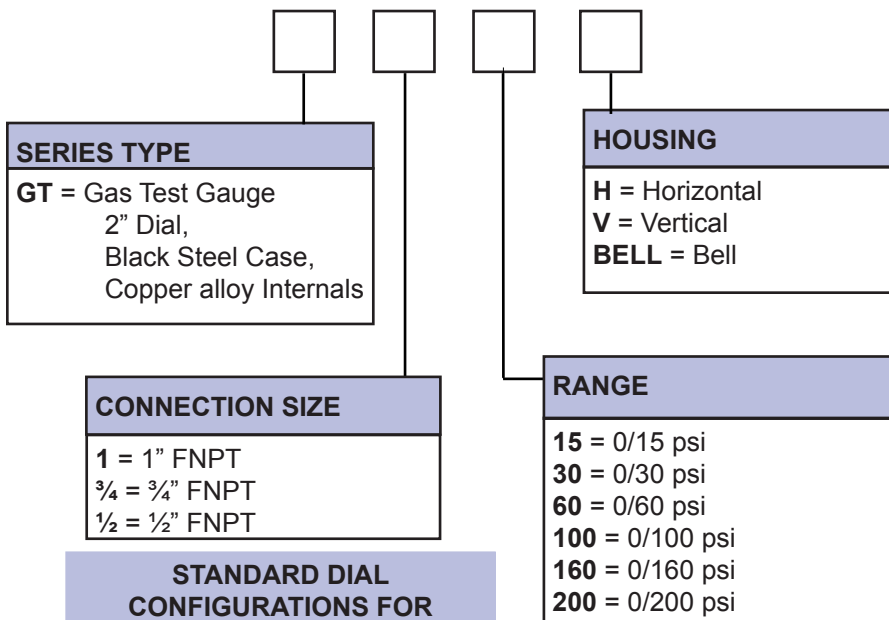
Design meets or exceeds ASME B40.100 pressure gauge standard.



AVAILABLE OPTIONS*

- Custom Dial
- Special Connection Size
- Other Ranges

PART NUMBERING SYSTEM



STANDARD DIAL CONFIGURATIONS FOR GAS TEST SERIES

Dial Range	Figure Intervals	Graduation Intervals
0/15 psi	1 psi	0.1 psi
0/30 psi	5 psi	0.25 psi
0/60 psi	10 psi	0.5 psi
0/100 psi	20 psi	1 psi
0/160 psi	20 psi	2 psi
0/200 psi	20 psi	5 psi

APPROXIMATE SHIPPING WEIGHTS/ BOX QUANTITIES

HORIZONTAL 2" DIAL SIZE

1/2" FNPT: 0.65 lbs (0.28 kg)/50 pcs
3/4" FNPT: 0.65 lbs (0.30 kg)/50 pcs
1" FNPT: 0.85 lbs (0.38 kg)/50 pcs

VERTICAL 2" DIAL SIZE

1/2" FNPT: 0.70 lbs (0.32 kg)/50 pcs
3/4" FNPT: 0.65 lbs (0.28 kg)/50 pcs
1" FNPT: 0.85 lbs (0.38 kg)/50 pcs

BELL 2" DIAL SIZE

1/2" FNPT: 0.40 lbs (0.20 kg)/50 pcs
3/4" FNPT: 0.50 lbs (0.22 kg)/50 pcs
1" FNPT: 0.60 lbs (0.26 kg)/50 pcs

NOTE: Not all part numbers or options are available from stock. Consult PIC Gauges for availability.



GT SERIES GAS TEST GAUGE

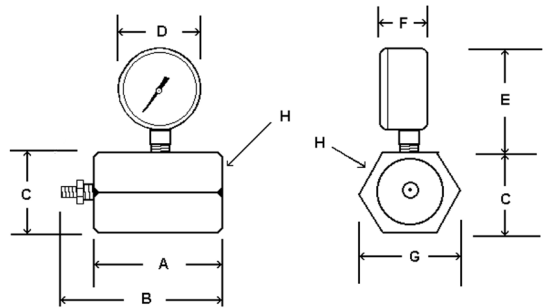
Utility gas test gauge with horizontal, vertical or bell shaped housing
For pressure tests of residential and commercial piping systems



5

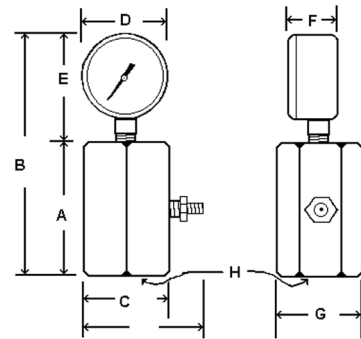
HORIZONTAL DIMENSIONS

Unit	A	B	C	D	E	F	G	H
In.	2.13"	2.81"	1.10"	2.02"	2.56"	1.03"	1.24"	1/2" NPT
mm	54.10	71.45	27.97	51.35	65.02	26.29	31.5	
In.	2.13"	2.81"	1.13"	2.02"	2.56"	1.03"	1.33"	3/4" NPT
mm	54.10	71.45	28.8	51.35	65.02	26.29	33.9	
In.	2.13"	2.81"	1.40"	2.02"	2.56"	1.03"	1.60"	1" NPT
mm	54.10	71.45	35.60	51.35	65.02	26.29	40.6	



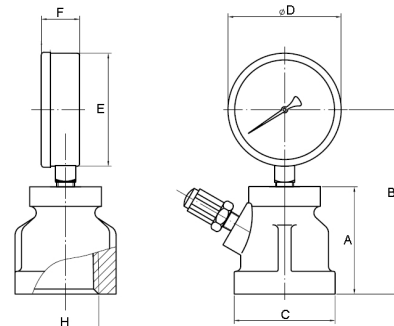
VERTICAL DIMENSIONS

Unit	A	B	C	D	E	F	G	H
In.	2.13"	2.81"	1.10"	2.02"	2.56"	1.03"	1.24"	1/2" NPT
mm	54.10	71.45	27.97	51.35	65.02	26.29	31.5	
In.	2.13"	2.81"	1.13"	2.02"	2.56"	1.03"	1.33"	3/4" NPT
mm	54.10	71.45	28.8	51.35	65.02	26.29	33.9	
In.	2.13"	2.81"	1.40"	2.02"	2.56"	1.03"	1.60"	1" NPT
mm	54.10	71.45	35.60	51.35	65.02	26.29	40.6	



BELL DIMENSIONS

Unit	A	B	C	D	E	F	H
In.	1.30"	2.87"	1.22"	2.07"	2.02"	1.11"	1/2" NPT
mm	33	73	31	52.6	51.2	28.3	
In.	1.50"	3.07"	1.48"	2.07"	2.02"	1.11"	3/4" NPT
mm	38	78	37.5	52.6	51.2	28.3	
In.	1.73"	3.31"	1.77"	2.07"	2.02"	1.11"	1" NPT
mm	44	84	45	52.6	51.2	28.3	



HOSE SERIES HOSE TEST GAUGE



Utility water test gauge with or without maximum indicating pointer
For pressure tests of residential and commercial water lines

SPECIFICATIONS

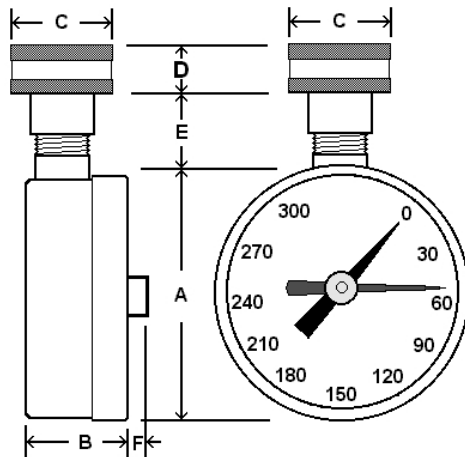
Dial	2 1/2" (63 mm)
Case	Black plastic, dry non-fillable
Wetted Parts	Copper alloy
Ranges	0/300 psi
Bezel	Black steel, fixed
Lens	Plastic
Pointer	Black aluminum
Connection	Top mount 3/4" female Copper alloy swivel connection
Scale	Standard: single scale psi
Accuracy	3-2-3% of span, ASME B40.1 Grade B
Ambient Temp	Dry = -40° F to 160° F

Design meets or exceeds ASME B40.100 pressure gauge standard.



HOSE

HOSE-MAX



P/N	Unit	A	B	C	D	E	F
HOSE	In.	2.52"	1.11"	1.18"	0.58"	0.81"	N/A
	mm	64	28	30	15	21	
HOSE-MAX	In.	2.52"	1.11"	1.18"	0.58"	0.81"	0.20"
	mm	64	28	30	15	21	5

AVAILABLE OPTIONS*

- Custom Dial
- Special Connection Size/Location
- Other Ranges

*Lead times/minimums may apply

APPROXIMATE SHIPPING WEIGHTS/ BOX QUANTITIES

Dial Size	Est. Unit Wt.	Box Qty
2 1/2"	0.35 lbs (0.16 kg)	50



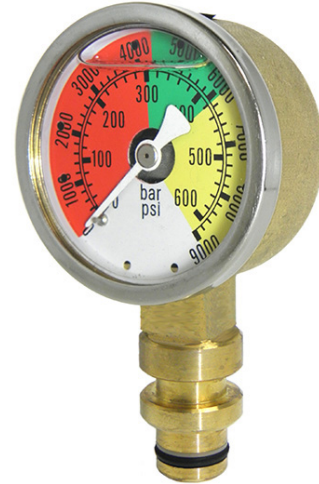
509L LONG WALL MINING GAUGE

One-piece forged Copper alloy gauge designed for long wall mining equipment
0/9000 psi color zone dial and hydraulic quick connect

SPECIFICATIONS

Dial	2" (50 mm), color zones Red: 0/4000 psi Green: 4000/6000 psi Yellow: 6000/9000 psi
Case	Forged Copper alloy, silicone filled
Wetted Parts	Copper alloy
Ranges	0/9000 psi / 0/600 BAR
Bezel	Stainless steel
Lens	Plastic
Pointer	White aluminum
Connection	Lower mount 3/8" "Steck-o" type mining industry standard Hydraulic quick connect with Buna N® o-ring & nylon washer, with M3 restrictor screw
Scale	Standard: psi/BAR
Accuracy	2-1-2% of span, ASME B40.1 Grade A
Ambient Temp	Silicone Filled = -30° F to 160° F

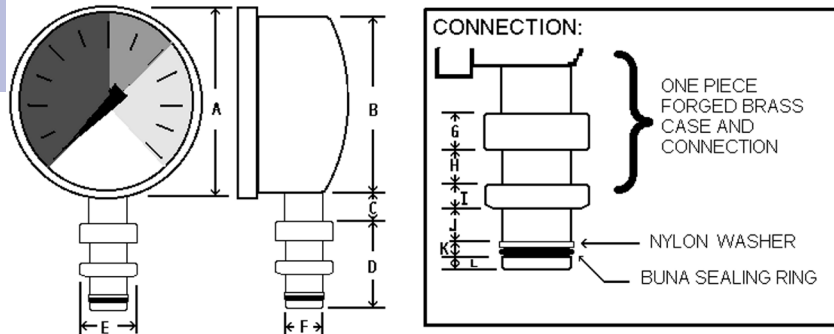
Design meets or exceeds ASME B40.100 pressure gauge standard.



AVAILABLE OPTIONS*

- Custom Dial
- Special Connection Size
- Other Ranges

5



Dial	Unit	A	B	C	D	E	F
2"	In.	2.10"	1.96"	0.44"	1.13"	0.79"	0.55"
	mm	53	50	11	29	20	14

Dial	Unit	G	H	I	J	K	L
2"	In.	0.30"	0.20"	0.19"	0.19"	0.13"	0.13"
	mm	8	5	5	5	3	3

*Lead times/minimums may apply

APPROXIMATE SHIPPING WEIGHTS/ BOX QUANTITIES

Dial Size	Est. Unit Wt.	Box Qty
2"	0.60 lbs (0.26 kg)	50

1" MINI BOURDON TUBE GAUGE

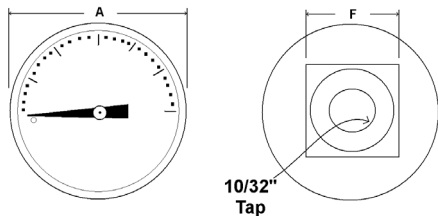
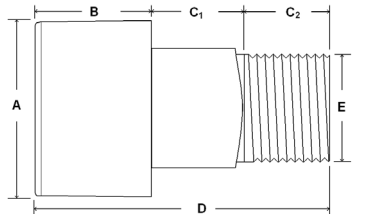


Miniature gauge for applications where space constraints are a concern
 Suitable for air, water, oil, gas or other media not corrosive to Copper alloy

SPECIFICATIONS

Dial	1" (25.4 mm)
Case	Black plastic, dry non-fillable
Wetted Parts	Copper alloy
Ranges	0/30, 0/60, 0/100, 0/160 psi
Lens	Plastic
Pointer	Black aluminum
Connection	Center back mount 1/8" NPT with 10/32" tap
Scale	Standard: single scale psi
Accuracy	3-2-3% of span, 1" ASME B40.1 Grade B
Ambient Temp	Dry = -30° F to 180° F

Design meets or exceeds ASME B40.100 pressure gauge standard.



Dial	Unit	A	B	C1	C2	D	E	F
1"	In.	0.98"	0.58"	0.34"	0.28"	1.21"	1/8"	0.47"
	mm	25	15	9	7	31	NPT	12

STANDARD PART NUMBERS

Part Number	Range
102D-108C	0/30 psi
102D-108D	0/60 psi
102D-108E	0/100 psi
102D-108F	0/160 psi
102D-108G	0/200 psi
102D-108H	0/300 psi

AVAILABLE OPTIONS*

- Custom Dial
- Special Connection Size
- Other Ranges
- Built-in Snubber

*Lead times/minimums may apply

APPROXIMATE SHIPPING WEIGHTS/ BOX QUANTITIES

Dial Size	Est. Unit Wt.	Box Qty
1"	0.05 lbs (0.02 kg)	upon request

Miniature gauge for applications where space constraints are a concern
 Suitable for air, water, oil, gas or other media not corrosive to Copper alloy

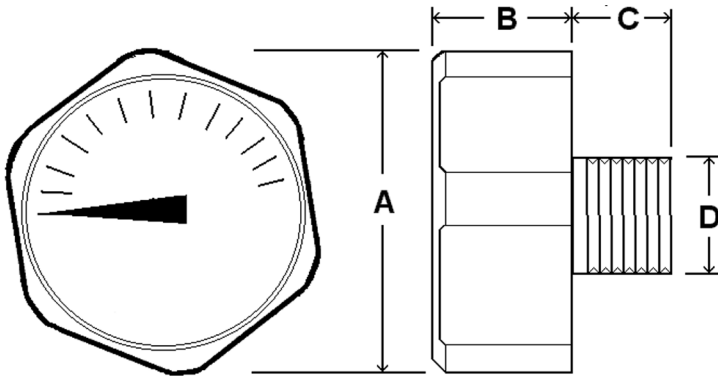
SPECIFICATIONS

Dial	1" (25.4 mm)
Case	Nickel plated hex case, dry non-fillable
Wetted Parts	Copper alloy
Ranges	0/160 - 0/6000
Bezel	Fixed
Lens	Plastic
Pointer	Yellow
Connection	Center back mount 1/8" NPT
Scale	Standard: single scale psi
Accuracy	5% of span, ASME B40.1 Grade D
Ambient Temp	Dry = -50° F to 160° F

Design meets or exceeds ASME B40.100 pressure gauge standard.



5



Dial	Unit	A	B	C	D
1"	In.	1.00"	0.40"	0.35"	1/8"
	mm	25	10	9	NPT

STANDARD DIAL CONFIGURATIONS FOR HEX GAUGE SERIES

Part Number	Dial Range	Figure Intervals	Graduation Intervals
HEX-108RF	0/160 psi	40 psi	10 psi
HEX-108RH	0/300 psi	100 psi	20 psi
HEX-108RJ	0/500 psi	100 psi	20 psi
HEX-108RL	0/750 psi	200 psi	50 psi
HEX-108RM	0/1000 psi	200 psi	40 psi
HEX-108RN	0/1200 psi	400 psi	80 psi
HEX108RQ	0/4000 psi	1000 psi	200 psi
HEX-108RR	0/5000 psi	1000 psi	200 psi
HEX-108RS	0/6000 psi	2000 psi	333 psi

AVAILABLE OPTIONS*

- Custom Dial
- Special Connection Size
- Other Ranges
- White Dial Custom Only, Non-Stock Option

*Lead times/minimums may apply

APPROXIMATE SHIPPING WEIGHTS/ BOX QUANTITIES

Dial Size	Est. Unit Wt.	Box Qty
1"	0.35 lbs (0.16 kg)	upon request

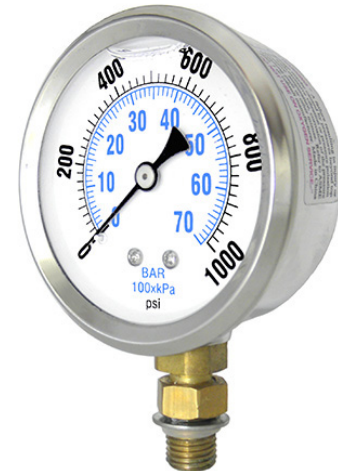
SAE-201L LOWER MOUNT



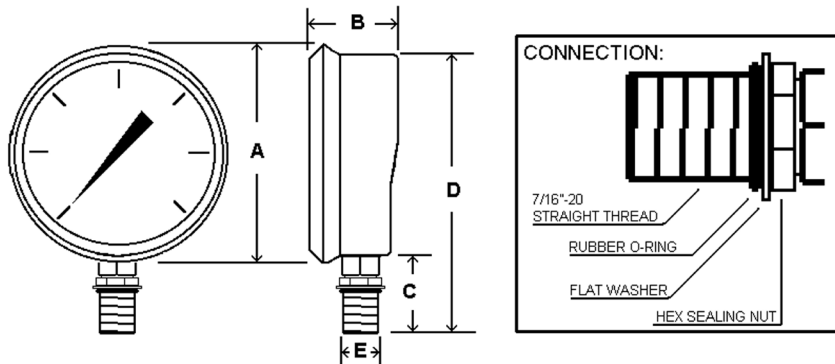
Glycerine filled gauge with SAE4 connection
Suitable for air, water, oil, gas or other media not corrosive to Copper alloy

SPECIFICATIONS

Dial	2 1/2" (63 mm)
Case	Stainless steel, glycerine filled
Wetted Parts	Copper alloy
Ranges	30" Hg Vac/0 - 0/10,000 psi
Bezel	Stainless steel, fixed
Lens	Plastic
Pointer	Black aluminum
Connection	Lower mount 7/16-20 SAE connection with silicon rubber o-ring, washer and lock nut
Scale	Standard: dual scale psi/BAR (x 100 = kPa)
Accuracy	2-1-2% of span, ASME B40.1 Grade A
Ambient Temp	Glycerine Filled = 30° F to 160° F Dry = -30° F to 180° F



Design meets or exceeds ASME B40.100 pressure gauge standard.



AVAILABLE OPTIONS*

- Certificate of Accuracy, NIST Traceable
- Custom Dial
- Special Connection Size
- Center Back Mount
- Other Ranges

5

*Lead times/minimums may apply

Dial	Unit	A	B	C	D	E
2 1/2"	In.	2.80"	1.28"	1.07"	3.55"	7/16-20 SAE
	mm	71	33	27	90	

SAE PART NUMBERS

Part Number	Dial Range	Part Number	Dial Range
201L-25XA-SAE4	30/0" Hg vac	201L-25XM-SAE4	0/1000 psi
201L-25XC-SAE4	0/30 psi	201L-25XN-SAE4	0/1500 psi
201L-25XD-SAE4	0/60 psi	201L-25XO-SAE4	0/2000 psi
201L-25XE-SAE4	0/100 psi	201L-25XP-SAE4	0/3000 psi
201L-25XF-SAE4	0/160 psi	201L-25XQ-SAE4	0/4000 psi
201L-25XG-SAE4	0/200 psi	201L-25XR-SAE4	0/5000 psi
201L-25XI-SAE4	0/400 psi	201L-25XS-SAE4	0/6000 psi
201L-25XJ-SAE4	0/500 psi	201L-25XU-SAE4	0/10,000 psi
201L-25XK-SAE4	0/600 psi		

APPROXIMATE SHIPPING WEIGHTS/ BOX QUANTITIES

Dial Size	Est. Unit Wt.	Box Qty
2 1/2"	0.45 lbs (0.22 kg)	upon request



SPIRAL TUBE GAUGE

Direct drive gauge for applications requiring enhanced durability and repeatability
 Suitable for air, water, oil, gas or other media not corrosive to Copper alloy

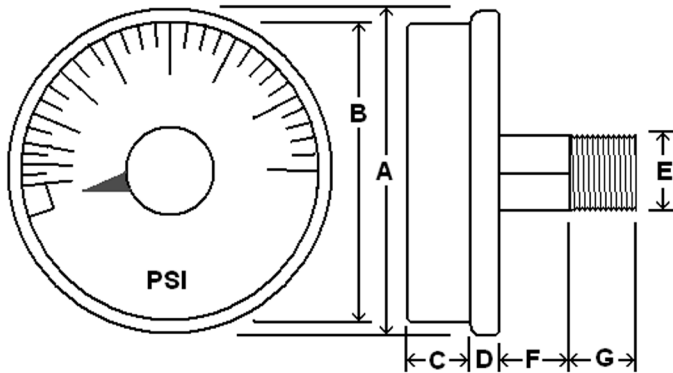
SPECIFICATIONS

Dial	1 ¼" (36 mm), 1 ½" (42 mm)
Case	Stainless steel, dry non-fillable
Wetted Parts	Copper alloy
Ranges	0/160, 0/300, 0/500, 0/1000, 0/3000 psi
Lens	Plastic
Pointer	Red aluminum
Connection	Center back mount 1/8" NPT
Scale	Standard: single scale psi
Accuracy	5% of span, ASME B40.1 Grade D
Ambient Temp	30° F to 160° F

Design meets or exceeds ASME B40.100 pressure gauge standard.



5



Dial	Unit	A	B	C	D	E	F	G
1 ¼"	In.	1.40"	1.20"	0.16"	0.25"	1/8"	0.28"	0.32"
	mm	36	31	4	7	NPT	7	8
1 ½"	In.	1.65"	1.46"	0.23"	0.23"	1/8"	0.23"	0.33"
	mm	42	37	6	6	NPT	6	8.5

Contact PIC Gauges for configurations and ordering information

AVAILABLE OPTIONS*

- Custom Dial
- Special Connection Size
- Other Ranges

*Lead times/minimums may apply

APPROXIMATE SHIPPING WEIGHTS/ BOX QUANTITIES

Dial Size	Est. Unit Wt.	Box Qty
1 ¼"	0.05 lbs (0.02 kg)	upon request
1 ½"	0.05 lbs (0.02 kg)	upon request

SPRINKLER GAUGE

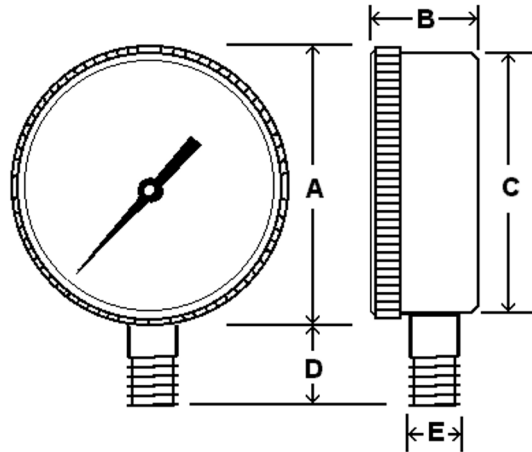


UL listed gauge designed for use on fire protection/sprinkler systems
 Suitable for air, water, oil, gas or other media not corrosive to Copper alloy

SPECIFICATIONS

Dial	3 1/2" (88.9 mm), UL listed/FM Approved
Case	Plastic, dry non-fillable
Wetted Parts	Copper alloy
Ranges	0/300 psi Water; 0/80-250 psi Air Retard
Bezel	Removable lens
Lens	Plastic, twist-off
Pointer	Black aluminum
Connection	Lower mount 1/4" NPT
Scale	Standard: single scale psi
Accuracy	3-2-3% of span, ASME B40.1 Grade B
Ambient Temp	Dry = -50° F to 160° F

Design meets or exceeds ASME B40.100 pressure gauge standard.



Dial	Unit	A	B	C	D	E
3 1/2"	In.	3.85"	1.19"	3.71"	1.08"	1/4" NPT
	mm	97.8	30.2	94	28	

AVAILABLE OPTIONS*

- Custom Dial
- Special Connection Size
- Other Ranges
- Repairable

*Lead times/minimums may apply

APPROXIMATE SHIPPING WEIGHTS/ BOX QUANTITIES

Dial Size	Est. Unit Wt.	Box Qty
3 1/2"	0.45 lbs (0.22 kg)	50

SPRINKLER PART NUMBERS

Part Number	Dial Range	Figure Intervals	Graduation Intervals
SPRINKLER-AIR	0/80/250	100 psi	10 psi
SPRINKLER-WATER	0/300 psi	25 psi	5 psi



40MM POSITIONER GAUGE

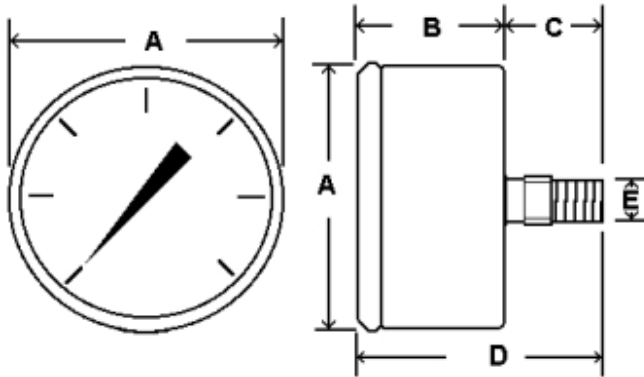
Bourdon tube gauge for applications requiring installation of multiple units
Suitable for applications where space constraints are a concern

SPECIFICATIONS

Dial	40 mm
Case	Stainless steel, dry yet fillable
Wetted Parts	316 Stainless steel
Ranges	0/30, 0/60, 0/100, 0/160 psi
Lens	Plastic
Pointer	Black aluminum
Connection	Center back mount 1/8" NPT
Scale	Standard: psi/BAR (x 100 = kPa)
Accuracy	3-2-3% of span, ASME B40.1 Grade B
Ambient Temp	Dry = -30° F to 180° F Glycerine Filled = 30° F to 160° F



Design meets or exceeds ASME B40.100 pressure gauge standard.



Dial	Unit	A	B	C	D	E
40 mm	In.	1.61"	1.02"	0.84"	1.76"	1/8"
	mm	41	26	21	45	NPT

AVAILABLE OPTIONS*

- Custom Dial
- Special Connection Size
- Special Accuracy
- Other Ranges
- Copper alloy Internals

*Lead times/minimums may apply

APPROXIMATE SHIPPING WEIGHTS/ BOX QUANTITIES

Dial Size	Est. Unit Wt.	Box Qty
40 mm	0.20 lbs (0.08 kg)	50

40MM PART NUMBERS

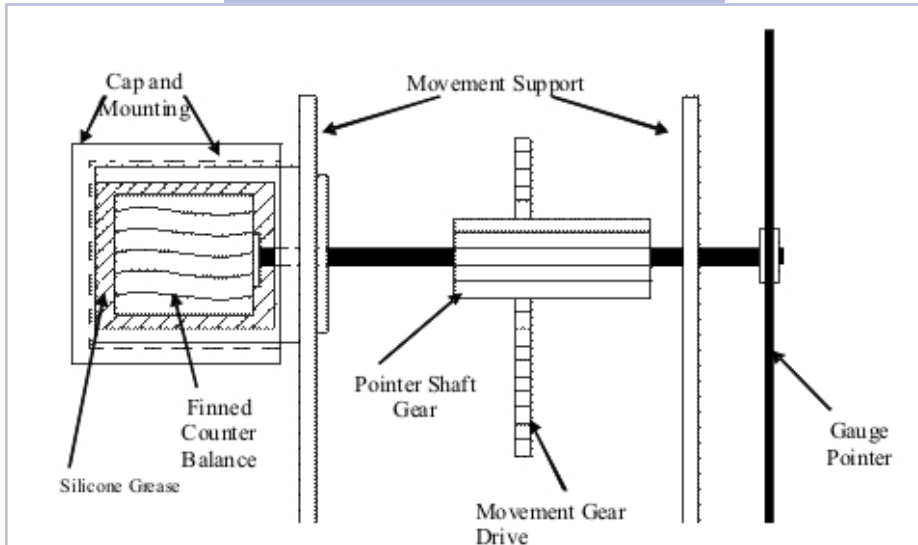
Part Number	Dial Range	Figure Intervals	Graduation Intervals
40MM-SS-C	0/30 psi	5 psi	0.5 psi
40MM-SS-D	0/60 psi	10 psi	1 psi
40MM-SS-E	0/100 psi	20 psi	2 psi
40MM-SS-F	0/160 psi	20 psi	2 psi

ANTI-VIBRATION MOVEMENT



Creates liquid filled performance in a dry gauge
 Suitable for rugged applications requiring dry gauges

ANTI-VIBRATION MOVEMENT



A silicone dampened counter weight is attached to the movement, which creates a dampening effect similar to liquid filling, but without the cost and potential problems associated with liquid filling (i.e. browning and leakage).

5

ANTI-VIBRATION ADVANTAGES	AVAILABLE OPTIONS*
<p>1. High Temp/Low Temp Applications Eliminates risk of liquid filling browning, baking or boiling Removes concern of liquid filling freezing</p> <p>2. Clean Environment Applications Prevents liquid filling from leaking</p> <p>3. Low Cost Applications Less expensive gauge can be used (i.e. steel case vs. stainless steel case)</p>	<ul style="list-style-type: none"> • Various Sizes and Configurations • Custom Dials • Special Connection Sizes • Various Ranges • Repairable <p>*Lead times/minimums may apply</p>



1" REGULATOR GAUGE

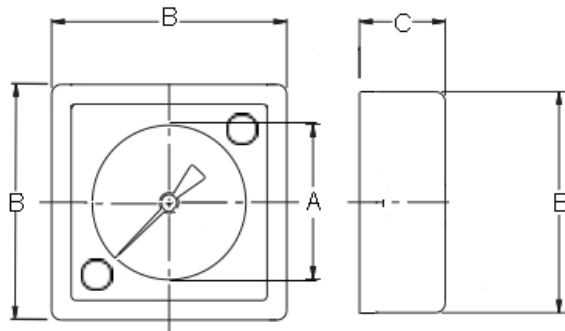
Black ABS case, copper alloy internals

SPECIFICATIONS

Dial	1" (25.4 mm)
Case	Black ABS case, dry non-fillable
Wetted Parts	Copper alloy
Lens	Plastic
Pointer	Black aluminum
Connection	Center back mount, o-ring connection
Scale	Standard: single scale psi
Accuracy	3-2-3% of span ASME B40.1 Grade B
Ambient Temp	-50° F to 160° F



Design meets or exceeds ASME B40.100 pressure gauge standard.



Dial	Unit	A	B	C
1"	In.	0.84"	1.07"	0.62"
	mm	21	27	16

AVAILABLE OPTIONS*

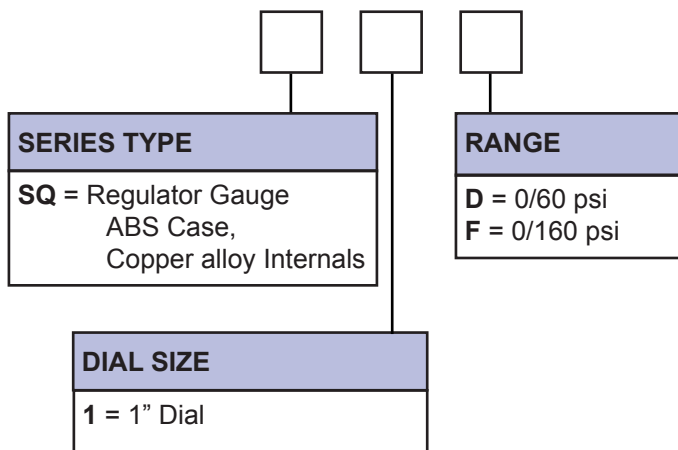
- Custom Dial
- Alternate Ranges
- Alternate Scales
- Custom Housing
 - Color
 - Dimensions
 - Mounting Style

*Lead times/minimums may apply

APPROXIMATE SHIPPING WEIGHTS/ BOX QUANTITIES

Dial Size	Est. Unit Wt.	Box Qty
1"	0.04 lbs (0.02 kg)	upon request

PART NUMBERING SYSTEM



Because of continuing improvements, specifications are subject to change without notice.
NOTE: Not all part numbers or options are available from stock. Consult PIC Gauges for availability.

FILTER GAUGE

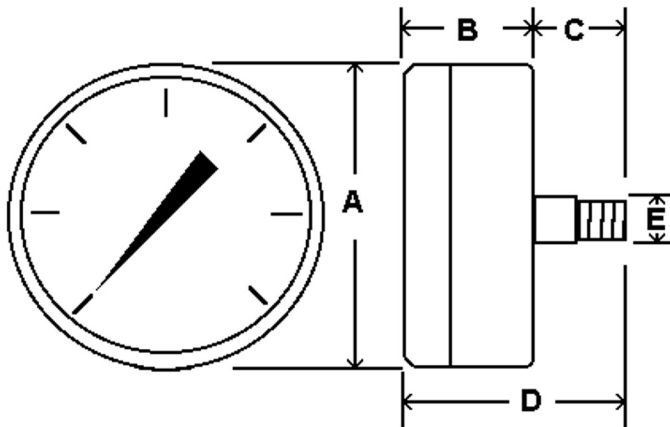


Utility gauge with color zones for optimal filter performance
Black steel case and bezel, copper alloy internals

SPECIFICATIONS

Dial	1 1/2" (40 mm), 2" (50 mm)
Case	Black steel, dry non-fillable
Wetted Parts	Copper alloy
Ranges	30/0" hg Vacuum, 0/60 psi
Bezel	Black painted steel, fixed
Lens	Glass
Pointer	Black aluminum
Connection	Center back mount 1 1/2" dial = 1/8" NPT 2" dial = 1/8" NPT
Scale	Standard: psi/BAR (x 100 = kPa)
Accuracy	3-2-3% of span, ASME B40.1 Grade B
Ambient Temp	-50° F to 160° F

Design meets or exceeds ASME B40.100 pressure gauge standard.



Dial	Unit	A	B	C	D	E
1 1/2"	In.	1.64"	0.93"	0.63"	1.56"	1/8" NPT
	mm	42	24	16	39	
2"	In.	2.07"	1.03"	0.83"	1.86"	1/8" NPT
	mm	53	26	21	47	

STANDARD PART NUMBERS

Part Number	Range	Color Zones		
		Green	Yellow	Red
FILTER-158D-CZ1	0/60 psi	0-20	20-25	25-60
FILTER-208A-CZ1	30/0" hg vac	0-9	9-11	11-30
FILTER-208A-CZ2	30/0" hg vac	0-4	4-6	6-30
FILTER-208D-CZ1	0/60 psi	0-20	20-25	25-60

AVAILABLE OPTIONS*

- Certificate of Accuracy, NIST traceable
- Custom Dial
- Custom Range
- Anti-Vibration Movement, see page 107
- Cleaned for Oxygen Service
- Special Connection Size
- Protective Rubber Cover, see page 119
- Plastic Lens
- Max/Min Pointer, see page 120

*Lead times/minimums may apply

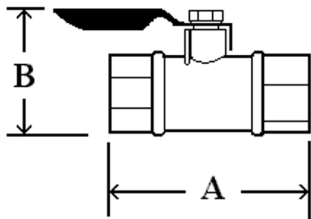
APPROXIMATE SHIPPING WEIGHTS/ BOX QUANTITIES

Dial Size	Est. Unit Weight	Box Qty
1 1/2"	0.15 lbs (0.06 kg)	100
2"	0.25 lbs (0.10 kg)	100

MINI BALL VALVES

A14

- Ball valve type gauge cock
- 1/4" FNPT X 1/4" FNPT
- Brass body rating: 700 psi at 250° F
- Est. Unit Wt.: 0.10 lbs/0.06 kg

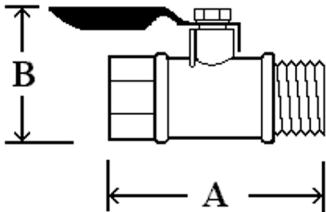


Unit	A	B
In.	1.60"	1.30"
mm	40	33



A15

- Ball valve type gauge cock
- 1/4" MNPT X 1/4" FNPT
- Brass body rating: 700 psi at 250° F
- Est. Unit Wt.: 0.10 lbs/0.06 kg



Unit	A	B
In.	1.60"	1.35"
mm	40	34



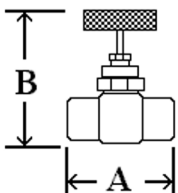
6

BRASS NEEDLE VALVES

NV-B-1/4

- Needle valve
- 1/4" FNPT X 1/4" FNPT (NV-B-1/4-FXF)
- 1/4" MNPT X 1/4" FNPT (NV-B-1/4-MXF)
- 1/4" MNPT X 1/4" MNPT (NV-B-1/4-MXM)
- Brass body rating: 600 psi @ 300 °F
- Est. Unit Wt.: 0.25 lbs/0.10 kg

Configuration	Box Qty
FXF	80
MXF	200
MXM	20



Unit	A	B
In.	1.62"	1.94"
mm	41	49



GAUGE VALVES



GAUGE COCKS

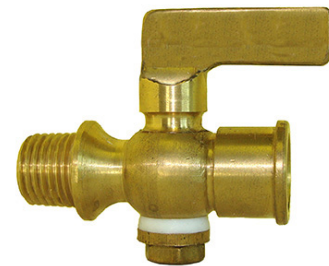
T-HANDLE COCK - A10

Material Polished brass
Pressure Rating Up to 125 psi hydraulic
Connection Size 1/4" FNPT X 1/4" FNPT
Est. Unit Wt. 0.15 lbs/0.06 kg



LEVER HANDLE - A11

Material Polished Brass
Pressure Rating Up to 200 psi hydraulic
Connection Size 1/4" MNPT X 1/4" FNPT
Est. Unit Wt. 0.15 lbs/0.06 kg



LEVER HANDLE - A12

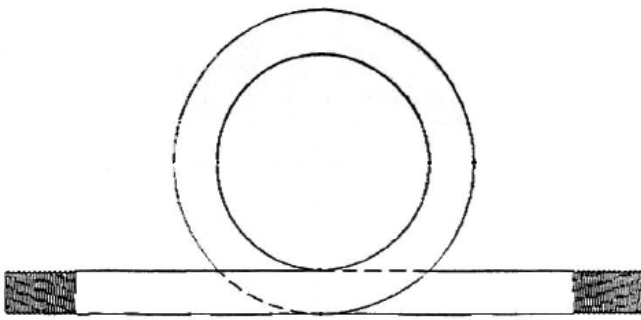
Material Polished Brass
Pressure Rating Up to 200 psi hydraulic
Connection Size 1/4" FNPT X 1/4" FNPT
Est. Unit Wt. 0.15 lbs/0.06 kg



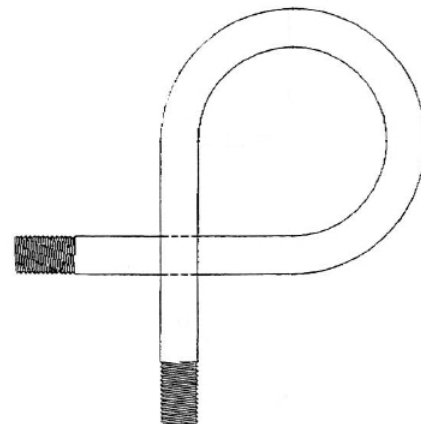
SPECIFICATIONS

Purpose Syphons protect instruments from effects of hot pressure media commonly used in steam applications

Materials Brass
Steel schedule 40
Steel schedule 80
316 Stainless steel schedule 80



STRAIGHT (180°)



ANGLE (90°)

6

Part Number	Description	Maximum Working Pressure	Max Temp	Est. Unit Wt. lbs	Est. Unit Wt. kg
A03B	Straight 1/4" NPT Brass syphon	250 psi	400° F	0.45	0.20
A031	Straight 1/4" NPT iron syphon, schedule 40 iron	500 psi	400° F	0.50	0.24
CPS4	Straight 1/4" NPT steel syphon, schedule 80 iron	1000 psi	850° F	0.55	0.24
CPS4-ANGLE	Angle 1/4" NPT steel syphon, schedule 80 iron	1000 psi	850° F	0.45	0.20
CPS2	Straight 1/2" NPT steel syphon, schedule 80 iron	1000 psi	850° F	1.70	0.76
CPSS4	Straight 1/4" NPT stainless steel syphon, 316 ss sched 80	2000 psi	1000° F	0.50	0.22
CPSS2	Straight 1/2" NPT stainless steel syphon, 316 ss sched 80	2000 psi	1000° F	1.75	0.79

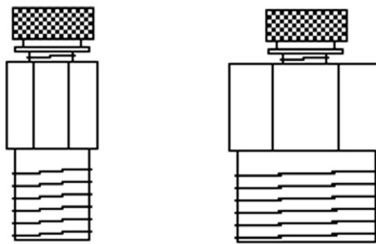
NOTE: Other configurations available upon request.

TEST PORT PLUG

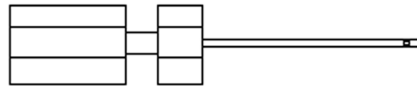
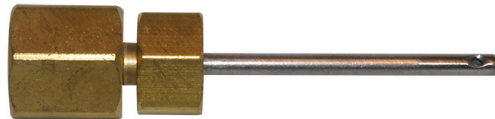


SPECIFICATIONS

Purpose	Pressure & Temperature Test Port Plugs For permanent installation into piping systems
Connection	1/8", 1/4", 1/2" NPT
Materials	Brass body Nordel core
Pressure Rating	1000 psi at 200° F
Est. Unit Weight	0.15 lbs/0.08 kg



Part Number	Nominal Size	Overall Length	Material	Temperature/ Pressure	Body Hex	Cap Hex	Core Material
PLUG-1/8	1/8" NPT	1 1/4"	Brass	350° F/1000 psi	13/16"	9/16"	Nordel
PLUG-1/4	1/4" NPT	1 1/2"	Brass	350° F/1000 psi	1 1/16"	1 1/2"	Nordel
PLUG-1/2	1/2" NPT	1 1/2"	Brass	350° F/1000 psi	1 1/16"	1 1/2"	Nordel



Adapters for Test Port Plugs

ADAPTER-PP-1/8	1/8" NPT Gauge adapter 2 3/4" Overall Length x 1 3/4" x 0.125" probe
ADAPTER-PP-1/4	1/4" NPT Gauge adapter 2 3/4" Overall Length x 1 3/4" x 0.63" probe



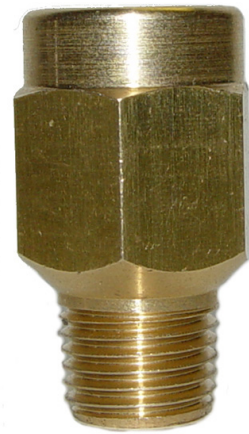
Pressure & Temperature Test Plug Accessories

PLUG-EXT-1/4	1 3/4" Extension for Test Port Plug (1/4" NPT)
PLUG-EXT-1/2	2" Extension for Test Port Plug (1/2" NPT)

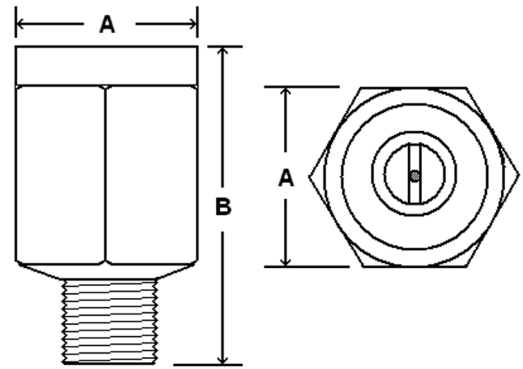
FILTER TYPE PRESSURE SNUBBER

SPECIFICATIONS

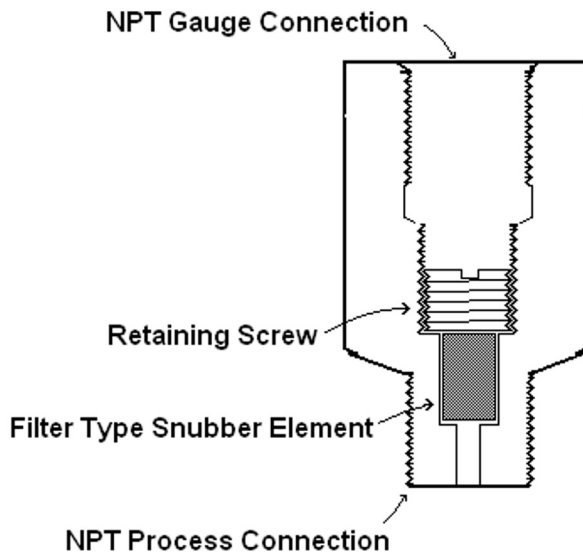
Purpose	Dampens pressure pulsation and slows the effects of surges or sudden pressure spikes Can be disassembled for cleaning
Media	Water, air, oil, gas
Connection	1/8", 1/4" or 1/2" NPT
Materials	Stainless steel, Brass
Design Type	Porous element



Part Number	Description	Units	A	B	Pressure Rating
BW42-1/8	1/8" NPT MxF Brass	Inches	0.74"	1.35"	3,000 psi
		mm	18.9	35	
BW42	1/4" NPT MxF Brass	Inches	0.75"	1.70"	3,000 psi
		mm	19	43.1	
BW41-1/2	1/2" NPT MxF Brass	Inches	1.25"	2.25"	10,000 psi
		mm	31.7	57.1	
SW42	1/4" NPT MxF Stainless Steel	Inches	0.75"	1.70"	5,000 psi
		mm	19	43.1	
A05E	1/2" NPT MxF Stainless Steel	Inches	1.25"	2.25"	10,000 psi
		mm	31.7	57.1	



6



Part Number	Est. Unit Wt. lbs	Est. Unit Wt. kg	Box Qty.
BW42-1/8	0.10	0.04	upon request
BW42	0.10	0.04	500
BW41-1/2	0.25	0.12	upon request
SW42	0.10	0.04	500
A05E	0.25	0.12	upon request

ADJUSTABLE PRESSURE SNUBBER



SPECIFICATIONS

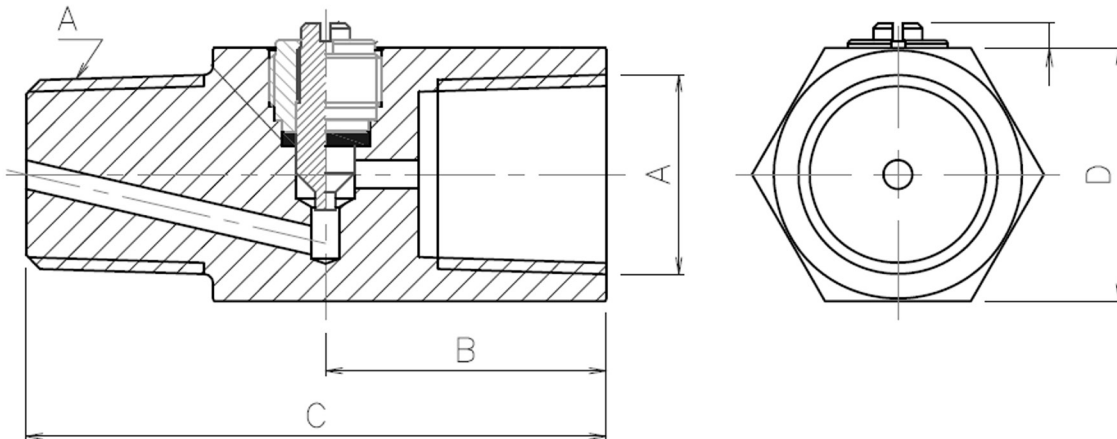
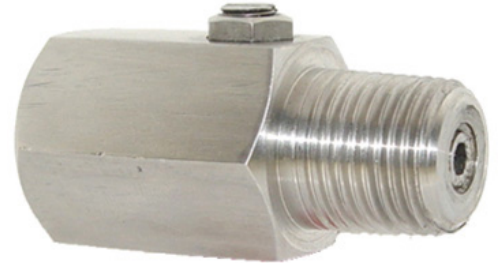
Purpose Adjustable pressure pulsation dampener
 Additionally, flow control can be regulated via Adjustment knob
 Can isolate gauge for service or replacement

Connection 1/4" or 1/2" NPT

Materials 316 Stainless steel

Pressure Rating 6000 psi maximum

Est. Unit Wt. 0.50 lbs/0.22 kg

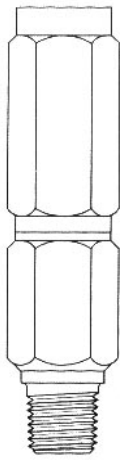


Part Number	Units	A	B	C	D	Maximum Pressure	Box Quantity
APS-316-4	Inches	1/4" NPT	1.00"	2.05"	1.06"	6000 psi	upon request
	mm		25	52	27		
APS-316-2	Inches	1/2" NPT	1.18"	2.44"	1.06"	6000 psi	32
	mm		30	62	27		

6

SPECIFICATIONS

Purpose	Self cleaning piston type snubber dampens pressure pulsation and slows the effects of surges or sudden pressure spikes
Media	Water, air, oil, gas
Connection	1/4", 3/8" or 1/2" NPT
Materials	Brass, Stainless steel
Pressure Rating	Brass = 3000 psi Stainless steel = 10,000 psi



6

Part Number*	Inlet	Outlet	Body Material	Maximum psi	Ln.	Hex
PPS-B-1/4	1/4" NPT	1/4" NPT	Brass	3000	3.46"	0.75"
PPS-S-1/4	1/4" NPT	1/4" NPT	303 Stainless	5000	3.46"	0.75"
PPS-SS-1/4	1/4" NPT	1/4" NPT	316 Stainless	5000	3.46"	0.75"
PPS-B-3/8	3/8" NPT	3/8" NPT	Brass	5000	3.61"	1.125"
PPS-B-1/2	1/2" NPT	1/2" NPT	Brass	5000	3.61"	1.125"
PPS-S-1/2	1/2" NPT	1/2" NPT	303 Stainless	10000	3.61"	1.125"
PPS-SS-1/2	1/2" NPT	1/2" NPT	316 Stainless	10000	3.61"	1.125"

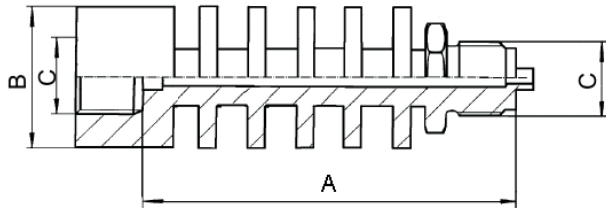
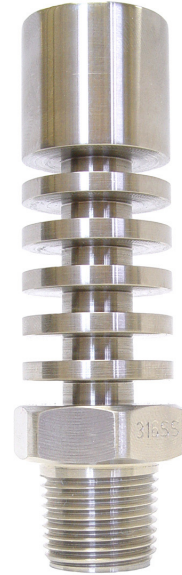
*Available in British Taper Pipe Threads. Add "BSP" to part number when ordering. Lead times/minimums may apply.

COOLING TOWER



SPECIFICATIONS

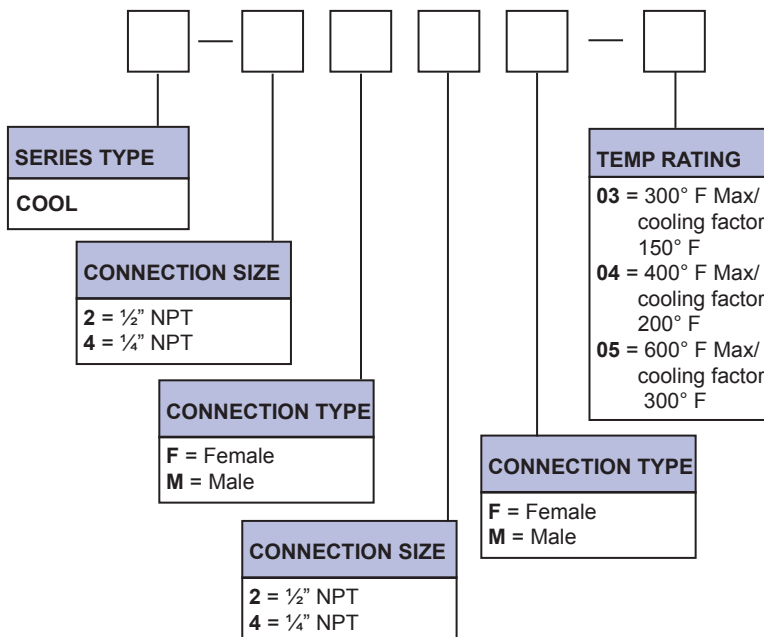
Purpose	Designed to protect instruments in high temperature applications Can reduce media temps by up to 150° F, 200° F or 300° F
Connection	1/4" or 1/2" NPT
Materials	Stainless steel - 316SS
Temperature Rating	Maximum 300° F/150° C - Cooling factor 150° F/65° C Maximum 400° F/200° C - Cooling factor 200° F/93° C Maximum 600° F/315° C - Cooling factor 300° F/150° C
Pressure Rating	8,000 PSI for male X male towers 6,600 PSI for the male X female towers



Cooling Factor	Units	A	B	C
150° F	In	2.25"	1.06"	1/4" or 1/2" NPT
	mm	57	27	
200° F	In	3.80"	1.07"	1/4" or 1/2" NPT
	mm	97	27	
300° F	In	4.22"	1.58"	1/4" or 1/2" NPT
	mm	107	40	

Cooling Factor	Est. Unit Wt. lbs	Est. Unit Wt. kg
150° F	0.55	0.24
200° F	0.65	0.28
300° F	1.20	0.54

PART NUMBERING SYSTEM

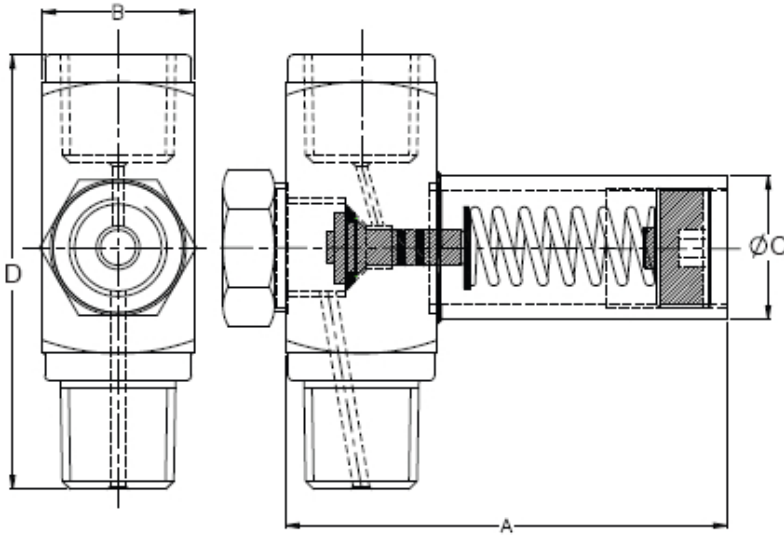


NOTE: Not all part numbers or options are available from stock. Consult PIC Gauges for availability.

A Division of Engineered Specialty Products, Inc.

SPECIFICATIONS

Purpose	Prevent damage to instruments due to sudden pressure surges
Media	Water, air, oil, gas
Connection	1/4" or 1/2" NPT
Materials	316 Stainless steel
Pressure Rating	6000 psi maximum
Est. Unit Weight	1.30 lbs/0.58 kg



6

Units	A	B	C	D
Inches	3.50"	1.10"	1.04"	3.14"
mm	89	28	26.5	80

Part Number	Inlet	Outlet
PLV-2M-2F-(Range)	1/2" male	1/2" female
PLV-4M-4F-(Range)	1/4" male	1/4" female

Range Code	Adjustment Span	
1	60 to 87 psi	4 to 6 BAR
2	102 to 232 psi	7 to 16 BAR
3	145 to 580 psi	10 to 40 BAR
4	435 to 1160 psi	30 to 80 BAR
5	870 to 2320 psi	60 to 160 BAR
6	1450 to 5802 psi	100 to 400 BAR

AVAILABLE OPTIONS*

- Special Connection Size
 - BSP
 - Metric
 - Flaired
 - UNF
- Custom Configuration
 - Female x Female
 - Male x Male
- Cleaned for Oxygen Service
- Exotic Materials Include
 - Monel
 - Hastelloy C
- Material Test Certificates
- NACE Conformity

*Lead times/minimums may apply

RUBBER GAUGE COVER



SPECIFICATIONS

- Purpose** Designed to protect gauges in rugged environments
Many standard configurations in stock
Custom configurations/colors available
- Materials** Rubber Compound
- Size** 1 1/2", 2", 2 1/2", 4
- Connection** Lower or Back Mount



SPECIFICATIONS

Purpose	Indicate maximum or minimum pressure achieved in a pressurized system over a given period
Lens Material	Plastic or Glass
Dial Size	2 1/2", 4" or 4 1/2"
Connection	Lower or Back Mount
Mounting	Direct or Panel
Case Styles	Dry or Liquid Filled



The max pointer is a red auxiliary pointer with an arm that is pushed by the primary gauge pointer until the gauge pressure drops. The max pointer remains at peak pressure, indicating max pressure achieved.

Conversely, this unit can function similarly as a min pointer on vacuum or compound ranges.

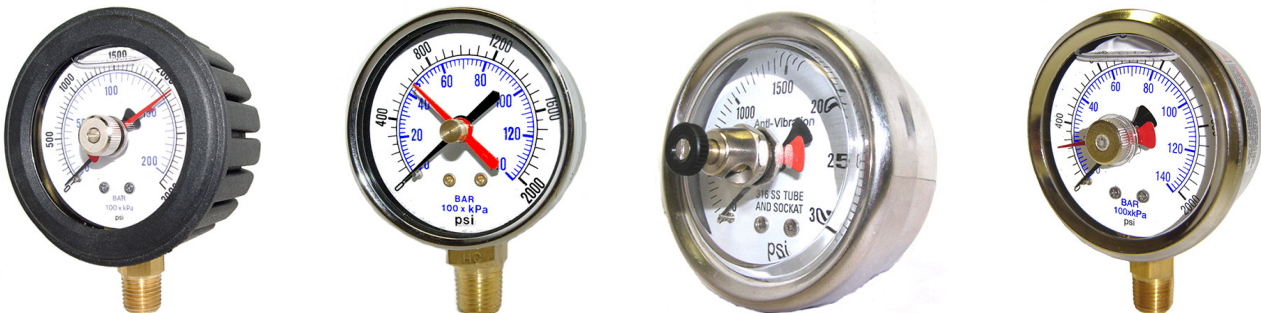
Due to the added resistance of the max pointer, these cannot be used on low pressure gauges.

STANDARD P/N*	DESCRIPTION
MAX-25-DRY-GL	Dry Non-Fillable 2 1/2" Max Pointer for 100 Series Utility Gauges - Glass Lens
MAX-25-DRY-PL	Dry Non-Fillable 2 1/2" Max Pointer for 100 Series Utility Gauges - Plastic Lens
MAX-25-DRY-211311	Dry Non-Fillable 2 1/2" Max Pointer for 210 or 310 Series Gauges - Plastic Lens
MAX-MIN-25-311D	Liquid Fillable 2 1/2" Max/Min Pointer for 310 Series with 2 Red Pointers - Plastic Lens
MAX-POINTER-311D	Liquid Fillable 2 1/2" Max Pointer for 310 Series - Plastic Lens
MAX-POINTER-4001	Liquid Fillable 4" Max Pointer for 4001 Series - Plastic Lens

6

*Custom dial sizes & configurations available upon request.

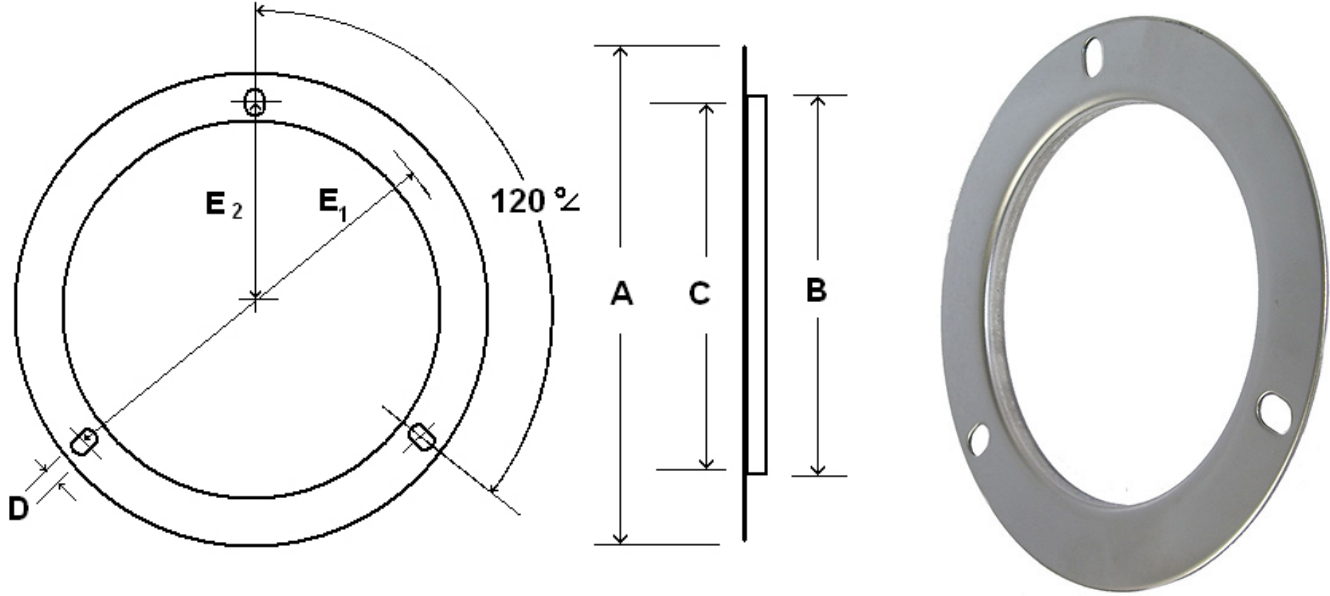
EXAMPLES OF GAUGES WITH MAX/MIN POINTERS



FRONT AND BACK FLANGES



Stainless steel flanges designed for use with pressure gauges
 Front flanges can be used with center back mount (CBM) or lower back mount (LBM) connections
 Back flanges can be used with lower mount or back mount gauges



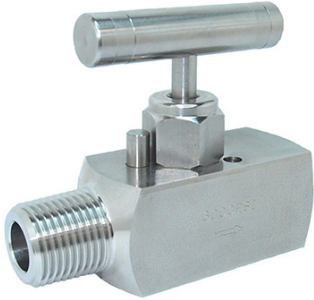

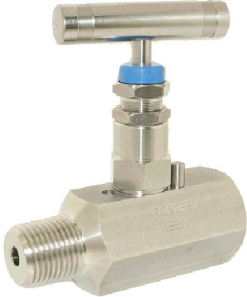
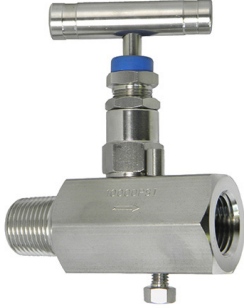




DIMENSIONAL INFORMATION

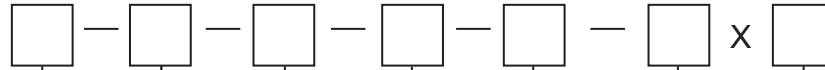
	PART NUMBER	GAUGE MODELS	DIMENSIONAL INFORMATION					
			A	B	C	D	E1	E2
			FLANGE OD	CASE RING OD	CASE RING ID	SCREW HOLE DIAMETER	ON DIAMETER CIRCLE	DISTANCE FROM DIAMETER
1	FLANGE-15-DRY	103D-158	2.22"/56.5 mm	1.66"/42 mm	1.60"/40.7 mm	0.117"/3 mm	1.91"/48 mm	0.96"/24 mm
2	FLANGE-15-LF	202L-158, 302L-158	2.46"/62.5 mm	1.72"/44 mm	1.62"/41 mm	0.125"/3 mm	1.93"/49 mm	0.97"/24.5 mm
3	FLANGE-15-NH	103D-158	2.22"/5.7 mm	1.66"/42 mm	1.60"/40.7 mm	NONE	N/A	N/A
4	FLANGE-20-DRY	102D-20X	2.81"/71.4 mm	2.08"/52.8 mm	2.02"/51.4 mm	0.11"/2.8 mm	2.34"/60 mm	1.17"/30 mm
5	FLANGE-20-LF	202L-20X, 302L-20X, 103D-20X	2.87"/73.1 mm	2.12"/53.9 mm	2.04"/51.9 mm	0.125"/3 mm	2.47"/ 62.8 mm	1.30"/33.0 mm
6	FLANGE-25	202L-254, 212D-254	3.50"/89 mm	2.58"/65 mm	2.49"/63 mm	0.17"/4 mm	3.05"/77 mm	1.52"/39 mm
7	FLANGE-61MM-OBLONG	S202L, 302DFW-254	3.48"/88 mm	2.44"/62 mm	2.38"/60.5 mm	0.17"/4.25 mm	3"/76 mm	1.5"/38 mm
8	FLANGE-62MM	103D-254, PRO-202L-254, 302DFW-254, SEC-302DFW-254	3.46"/88 mm	2.50"/63.6 mm	2.44"/62 mm	0.18"/4.6 mm	2.98"/75.7 mm	1.49"/37.9 mm
9	FLANGE-62MM-NH							
10	FLANGE-64MM-NH	103D-254, PRO-202L-254, 302DFW-254, SEC-302DFW-254	3.43"/87 mm	2.88"/66 mm	2.52"/64 mm	NONE	N/A	N/A
11	FLANGE-35	203D-354	5.17"/131 mm	3.56"/90 mm	3.45"/88 mm	0.21"/5.3 mm	4.57"/116 mm	2.28"/58 mm
12	FLANGE-4	202L-40X	5.14"/130 mm	4.02"/102 mm	3.90"/99 mm	0.22"/5.8 mm	4.49"/114 mm	2.25"/57 mm
13	FLANGE-60	6002, AMMONIA-604	7.63"/193.7 mm	6.35"/161.3 mm	6.25"/158.8 mm	0.188"/4.8 mm	7"/177.8 mm	3.5"/89 mm
14	BACK FLANGE-25	201L-254, 301LFW-254, 202L-254, 211D-254, 311D-254	3.42"/87 mm	2.58"/65 mm	2.46"/62 mm	0.17"/4.3 mm	2.99"/76 mm	1.50"/38 mm
15	BACK FLANGE-25-SEC	SEC-201L-254, SEC-202L-254, S201L-254	3.12"/79 mm	2.53"/64 mm	2.44"/62 mm	0.17"/4.3 mm	3.14"/80 mm	1.57"/40 mm
16	BACK FLANGE-4	201L, S201L-40X, 301L-40X	5.125"/130.2 mm	3.96"/100.6 mm	3.9"/99.1 mm	0.16"/4.1 mm	4.5"/114 mm	2.25"/57 mm
17	BACK FLANGE-40	4001, 314D-40X	5.25"/133.4 mm	3.98"/100.9 mm	3.88"/98.4 mm	0.188"/4.8 mm	4.56"/116 mm	2.28"/58 mm
18	BACK FLANGE-60	6001, 6002	7.63"/193.7 mm	6.35"/161.3 mm	6.25"/158.8 mm	0.188"/4.8 mm	7"/177.8 mm	3.5"/89 mm
19	FLANGE TO ACCOMPANY P/N 314D-254(X)		3.45"/87.7mm	2.51"/63.7mm	2.43"/61.7mm	0.19"/5mm	3.16"/80.3mm	1.58"/40.1mm
20	FLANGE TO ACCOMPANY P/N 314D-404X(X)		5.23"/132.9mm	3.95"/100.3mm	3.81"/96.9mm	0.18"/4.5mm	4.50"/114.3mm	2.25"/57.3mm
21	BACK FLANGE TO ACCOMPANY P/N 115D-454(X)		5.87"/149mm	N/A	N/A	0.27"/7mm	5.36"/136.4mm	2.68"/68.2mm
22	BACK FLANGE TO ACCOMPANY P/N 115D-604(X)		7.42"/188mm	N/A	N/A	0.27"/7mm	6.70"/170.6mm	3.35"/85.3mm
23	BACK FLANGE TO ACCOMPANY P/N 115D-854(X)		10.3"/260mm	N/A	N/A	0.23"/6mm	8.74"/222.2mm	4.37"/111.1mm

NEEDLE VALVES

Instrumentation grade needle valves are designed for heavy duty process applications or other industrial applications that require high pressure carbon steel or stainless steel shut off valves. PIC Gauges stocks a wide variety of needle valve configurations.

			
<p>NVS "SUPER MINI"</p>	<p>NV-1/4</p>	<p>NV/NVL</p>	<p>NV-90 ANGLE</p>
			
<p>HV HEX BODY</p>	<p>BV BLOCK & BLEED VALVE</p>	<p>GV MULTI-PORT</p>	<p>PANEL MOUNT</p>

NEEDLE VALVE PART NUMBERING SYSTEM



SERIES TYPE

NVS = "Super Mini" with thumbwheel
NV-1/4" = 1/4" Mini with T-handle
NVL = Full Size 1/4" NPT
NV-1/2" = Full Size 1/2" NPT
HV = Hex Body Valve
GV = Multi-Port Gauge Valve
BV = Block & Bleed Valve

BODY MATERIAL

CS = Carbon Steel
SS = 316 Stainless Steel

CONNECTION SIZE

1/4 = 1/4" NPT
 3/8 = 3/8" NPT
 1/2 = 1/2" NPT

BODY PATTERN

180 = Straight
90 = Angle

OUTLET CONNECTION

F = Female
M = Male

INLET CONNECTION

F = Female
M = Male

SEAT/PRESSURE RATING

GS = Gas Service/6000 psi/
Soft Seat
HS = Hydraulic Service/10,000
psi/Hard Seat

EXAMPLE: "NVS-CS-1/4-GS-180-MXF"

NVS = "Super Mini" with thumbwheel
CS = Carbon Steel
 1/4 = 1/4" NPT
GS = Gas Service/6000 psi/Soft Seat
180 = Straight
M = Male Inlet
X
F = Female Outlet



NOTE: Not all part numbers or options are available from stock. Consult PIC Gauges for availability.

7



NVS "SUPER MINI" NEEDLE VALVE

Strong and Durable, Super Compact Size Needle Valve
Pressures up to 6,000 psi

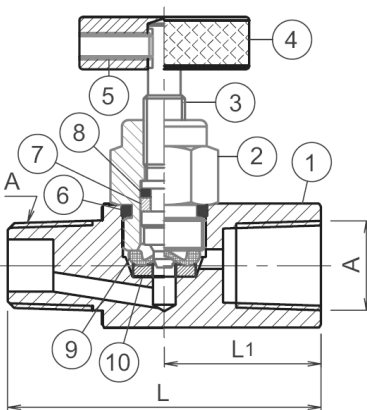
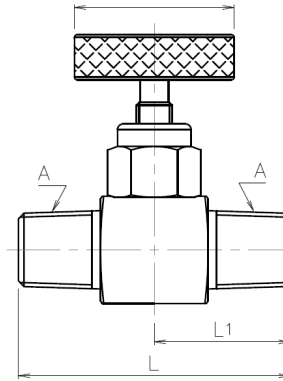
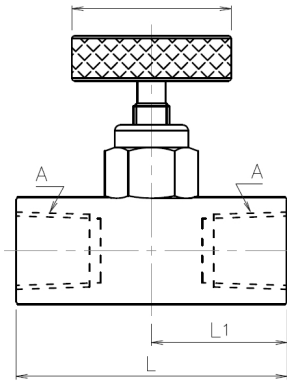
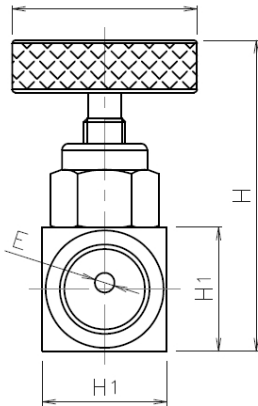
SPECIFICATIONS

Series Number	"NVS"
Material	Carbon steel or 316 stainless steel See chart below for component materials
Pressure Rating	Soft seat - 6000 psi at 200° F
Connection Size	1/4" NPT, male x female, female x female male x male
Handle	Round "thumb wheel"
Seat Material	Soft Seat - POM
Box Quantity	80 pieces
Est. Unit Weight	0.30 lb/0.16 kg



Part Number	Unit	A	L	L1	H	H1	E	Thumb Wheel
NVS-CS-1/4GS-180-MXF NVS-SS-1/4GS-180-MXF	In.	1/4"	1.85"	0.93"	1.97"	0.75"	0.13"	1.02"
	mm	NPT	47	23.5	50	19	3.3	26
NVS-CS-1/4GS-180-FXF NVS-SS-1/4GS-180-FXF	In.	1/4"	1.85"	0.93"	1.97"	0.75"	0.13"	1.02"
	mm	NPT	47	23.5	50	19	3.3	26
NVS-CS-1/4-GS-180-MXM	In.	1/4"	1.85"	0.93"	1.97"	0.75"	0.13"	1.02"
	mm	NPT	47	23.5	50	19	3.3	26

All dimensions shown in the catalog are approximate and subject to change.



Number	Description	316 Valve	Carbon Steel Valve
1	Body	316 SS	C.S.
2	Bonnet	316 SS	C.S.
3	Stem	316 SS	304 SS
4	Handle	303 SS	C.S.
5	Fixing Screw	302 SS	C.S.
6	O-Ring	Viton®	Viton®
7	O-Ring	Viton®	Viton®
8	Back-up Ring	PTFE	PTFE
9	Washer	316 SS	316 SS
10	Soft Seat	POM	POM

AVAILABLE OPTIONS*

- High Temperature
- T-handle
- Hard Seat
- Angle Valve (90°)
- Tube End Connection
- Alternate Connection Sizes

*Lead times/minimums may apply

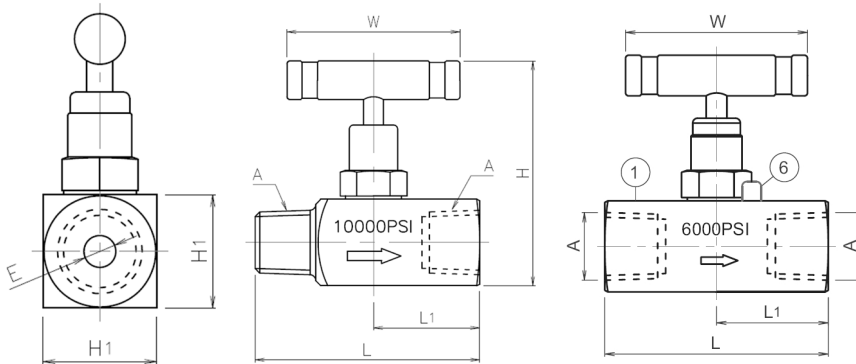
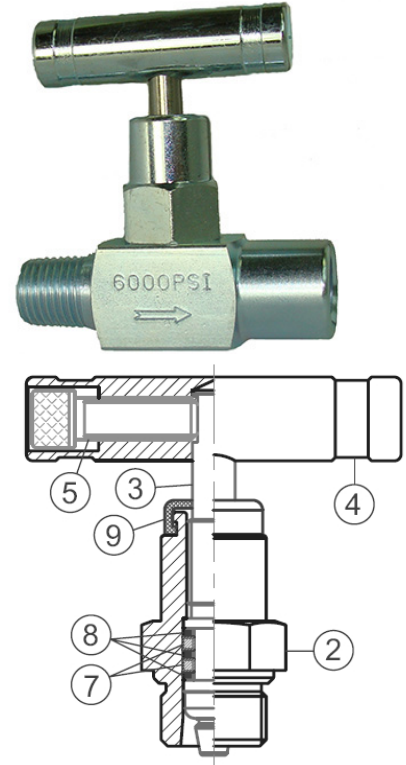
NV-1/4 MINI NEEDLE VALVE



Strong and Durable, Compact Size Needle Valve
Pressures up to 6,000 psi soft seat, 10,000 psi hard seat

SPECIFICATIONS

Series Number	"NV"
Material	Carbon steel or 316 stainless steel See chart below for component materials
Pressure Rating	Soft seat - 6000 psi at 200° F Hard seat - 10,000 psi at 200° F
Connection Size	1/4" NPT, male x female, female x female male x male
Handle	Tee
Seat Material	Soft Seat - POM Hard Seat - Integrated
Box Quantity	60 pieces
Est. Unit Weight	0.40 lb/0.20 kg



Part Number	Unit	A	L	L1	H	H1	E	W
NV-SS-1/4-GS-180-MXF	In.	1/4" NPT	2.28"	1.14"	2.48"	0.75"	0.17"	1.81"
NV-SS-1/4-GS-180-FXF								
NV-SS-1/4-HS-180-MXF								
NV-SS-1/4-HS-180-FXF	mm	19.05	58	29	63	19	4.2	46
NV-CS-1/4-GS-180-MXF								
NV-CS-1/4-GS-180-MXM								
NV-CS-1/4-GS-180-FXF								
NV-CS-1/4-HS-180-MXF								
NV-CS-1/4-HS-180-FXF								

Number	Description	316 Valve	Carbon Steel Valve
1	Body	316 SS	C.S.
2	Bonnet	316 SS	C.S.
3	Stem	316 SS	304 SS
4	Handle	303 SS	C.S.
5	Fixing Screw	302 SS	C.S.
6	Lock Pin	303 SS	C.S.
7	O-Ring	Viton®	Viton®
8	Back-up Ring	PTFE	PTFE
9	Dust Cap	NBR	NBR

All dimensions shown in the catalog are approximate and subject to change.

AVAILABLE OPTIONS*

- High Temperature
- Thumb Wheel Handle
- Panel Mount
- Bleed Screw
- Tube End Connection
- Alternate Connection Sizes

*Lead times/minimums may apply

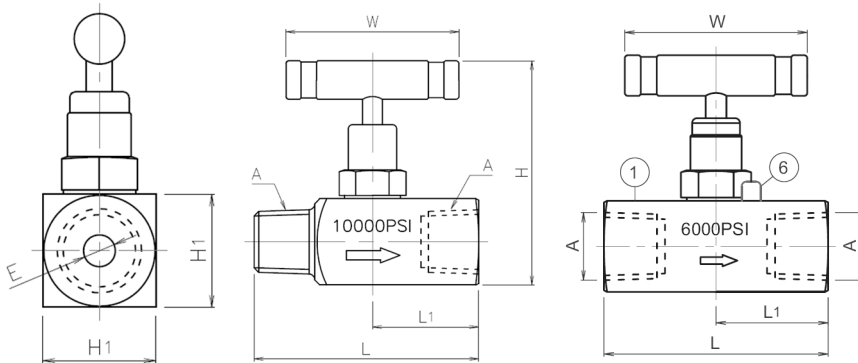
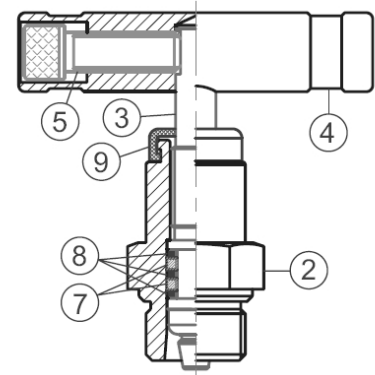
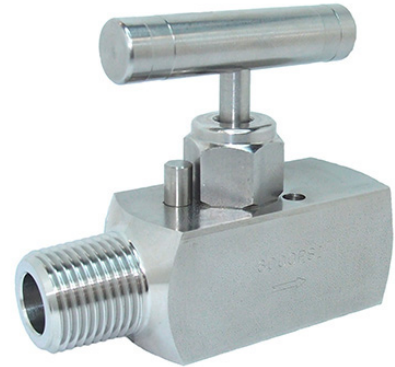


NV/NVL FULL SIZE NEEDLE VALVE

Strong and Durable, Full Size Needle Valve
Pressures up to 6,000 psi soft seat, 10,000 psi hard seat

SPECIFICATIONS

Series Number	“NV” or “NVL” (1/4”)
Material	Carbon steel or 316 stainless steel See chart below for component materials
Pressure Rating	Soft seat - 6000 psi at 200° F Hard seat - 10,000 psi at 200° F
Connection Size	NV - 1/2” NPT, 3/8” NPT (316 SS only) NVL - 1/4” NPT For 3/4” or 1” sizes, see HV series page 128-129 male x female, female x female
Handle	Tee
Seat Material	Soft Seat - POM
Box Quantity	15 pieces
Est. Unit Weight	1.20 lb/0.54 kg



Number	Description	316 Valve	Carbon Steel Valve
1	Body	316 SS	C.S.
2	Bonnet	316 SS	C.S.
3	Stem	316 SS	304 SS
4	Handle	303 SS	C.S.
5	Fixing Screw	302 SS	C.S.
6	Lock Pin	303 SS	C.S.
7	O-Ring	Viton®	Viton®
8	Back-up Ring	PTFE	PTFE
9	Dust Cap	NBR	NBR

Soft Seat Part Number	Unit	A	L	L1	H	H1	E	W
NVL-SS-1/4-GS-180-MXF	In.	1/4",	3.23"	1.38"	3.03"	1.14"	0.18"	2.24"
NVL-CS-1/4-GS-180-MXF		3/8", 1/2"						
NV-SS-3/8-GS-180-MXF	mm	3/8", 1/2"	82	35	77	29	4.5	57
NV-SS-1/2-GS-180-MXF		NPT						
NV-CS-1/2-GS-180-MXF								
Hard Seat Part Number	Unit	A	L	L1	H	H1	E	W
NVL-SS-1/4-HS-180-MXF	In.	1/4",	3.23"	1.38"	3.03"	1.14"	0.24"	2.24"
NVL-CS-1/4-HS-180-MXF		3/8", 1/2"						
NV-SS-3/8-HS-180-MXF	mm	3/8", 1/2"	82	35	77	29	6	57
NV-CS-1/2-HS-180-MXF		NPT						
NV-SS-1/2-HS-180-MXF								
NV-SS-3/8-HS-180-FXF	In.	3/8", 1/2"	2.95"	1.48"	3.03"	1.14"	0.24"	2.24"
NV-CS-1/2-HS-180-FXF		3/8", 1/2"						
NV-SS-1/2-HS-180-FXF	mm	3/8", 1/2"	75	37.5	77	29	6	57
NV-SS-1/2-HS-180-FXF		NPT						

AVAILABLE OPTIONS*

- High Temperature
- Panel Mount
- Bleed Screw
- Tube End Connection
- Alternate Connection Sizes
- See HV for Additional Configurations, p. 124-125

All dimensions shown in the catalog are approximate and subject to change.

*Lead times/minimums may apply

A Division of Engineered Specialty Products, Inc.

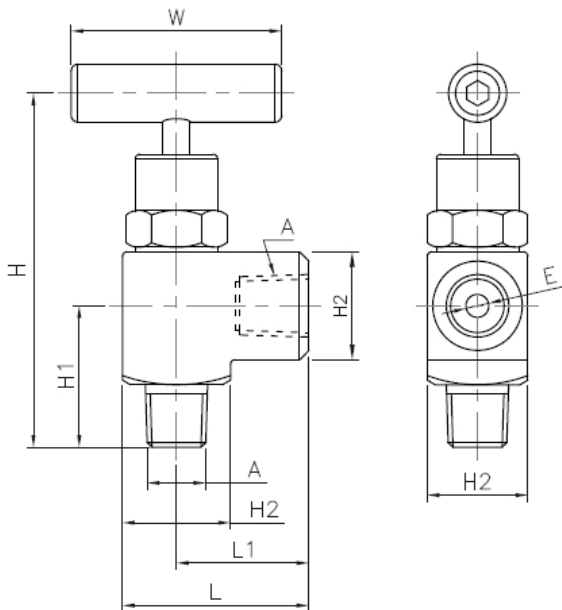
NV-90 ANGLE NEEDLE VALVE



Strong and Durable, Angle Needle Valve
Pressures up to 6,000 psi soft seat, 10,000 psi hard seat

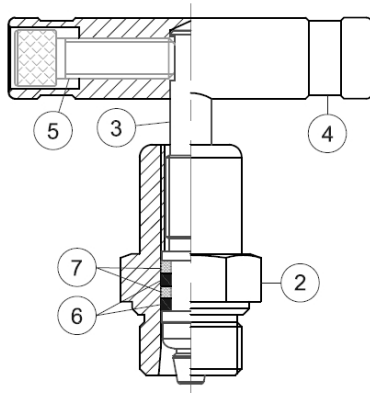
SPECIFICATIONS

Series Number	"NV-90"
Material	Carbon steel or 316 stainless steel See chart below for component materials
Pressure Rating	Soft seat - 6000 psi at 200° F Hard seat - 10,000 psi at 200° F
Connection Size	1/4" or 1/2" NPT male x female, female x female
Handle	Tee
Seat Material	Soft Seat - POM; Hard Seat - Integrated
Box Quantity	1/4": 50 pieces 1/2": 15 pieces
Est. Unit Weight	1/4": 0.55 lb/0.26 kg 1/2": 1.05 lb/0.46 kg



Part Number	Unit	A	L	L1	H	H1
NV-CS-1/4-GS-90-FXF	In.	1/4" NPT	1.60"	1.10"	3.46"	1.26"
NV-CS-1/4-GS-90-MXF	mm		40.7	28	88	32
NV-SS-1/4-GS-90-MXF						
NV-CS-1/4-HS-90-FXF						
NV-CS-1/4-HS-90-MXF						
NV-SS-1/4-HS-90-MXF						
NV-CS-1/2-GS-90-FXF	In.	1/2" NPT	1.81"	1.54"	4.09"	1.54"
NV-CS-1/2-GS-90-MXF	mm		46	39	104	39
NV-SS-1/2-GS-90-MXF						
NV-CS-1/2-HS-90-FXF						
NV-CS-1/2-HS-90-MXF						
NV-SS-1/2-HS-90-MXF						

Part Number (Cont'd)	Unit	A	H2	E	W
NV-CS-1/4-GS-90-FXF	In.	1/4" NPT	0.87"	0.13"	1.81"
NV-CS-1/4-GS-90-MXF	mm		22	3.3	46
NV-SS-1/4-GS-90-MXF					
NV-CS-1/4-HS-90-FXF					
NV-CS-1/4-HS-90-MXF					
NV-SS-1/4-HS-90-MXF					
NV-CS-1/2-GS-90-FXF	In.	1/2" NPT	0.79"	1.26"	2.24"
NV-CS-1/2-GS-90-MXF	mm		32	32	57
NV-SS-1/2-GS-90-MXF					
NV-CS-1/2-HS-90-FXF					
NV-CS-1/2-HS-90-MXF					
NV-SS-1/2-HS-90-MXF					



Number	Description	316 Valve	Carbon Steel Valve
1	Body	316 SS	C.S.
2	Bonnet	316 SS	C.S.
3	Stem	316 SS	304 SS
4	Handle	303 SS	C.S.
5	Fixing Screw	302 SS	C.S.
6	O-Ring	Viton®	Viton®
7	Back-Up Ring	PTFE	PTFE

All dimensions shown in the catalog are approximate and subject to change.

AVAILABLE OPTIONS*

- High Temperature
- Panel Mount
- Bleed Screw
- Tube End Connection
- Alternate Connection Sizes

*Lead times/minimums may apply

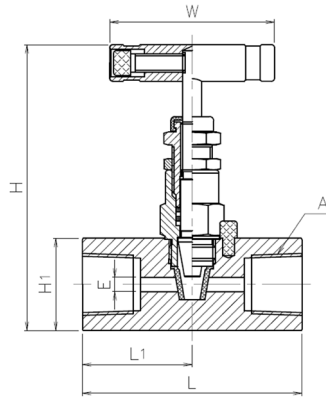
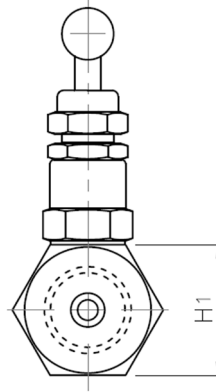
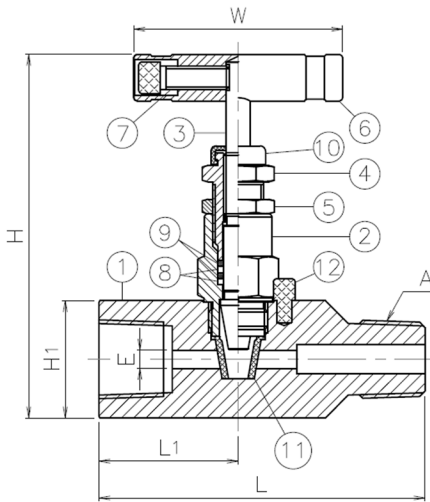
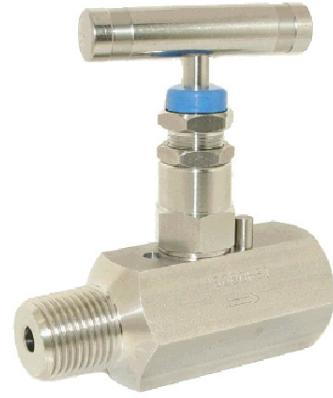


HV HEX BODY - SOFT SEAT NEEDLE VALVE

Strong and durable, instrument grade hex body needle valve with soft seat
Pressures up to 6,000 psi soft seat

SPECIFICATIONS

Series Number	"HV"
Material	Carbon steel or 316 stainless steel body
Pressure Rating	Soft seat - 6000 psi at 200° F
Connection Size	1/4", 1/2", 3/4" or 1" NPT male x female, female x female
Handle	Tee
Seat Material	Soft Seat - POM
Box Quantity	Standard: 15 pieces; 1": 10 pieces
Est. Unit Weight	Standard: 1.25 lb/0.58 kg; 1": 1.75 lb/0.80 kg



Soft Seat Part Numbers		Unit	L	L1	H	H1	E	W
HV-(X)S-1/4-GS-180-MXF	1/4" NPT	In.	3.2"	1.4"	3.9"	1.3"	0.2"	2.2"
HV-(X)S-1/2-GS-180-MXF	1/2" NPT	mm	82	35	98	32	6	57
HV-(X)S-3/4-GS-180-MXF	3/4" NPT							
HV-(X)S-1/4-GS-180-FXF	1/4" NPT	In.	3.0"	1.5"	3.9"	1.3"	0.2"	2.2"
HV-(X)S-1/2-GS-180-FXF	1/2" NPT	mm	75	37.5	98	32	6	57
HV-(X)S-3/4-GS-180-FXF	3/4" NPT							
HV-(X)S-1-GS-180-MXF	1" NPT	In.	3.7"	1.6"	4.4"	1.6"	0.3"	2.2"
		mm	95	41.5	112	41	7	57
HV-(X)S-1-GS-180-FXF	1" NPT	In.	3.1"	1.6"	4.4"	1.6"	0.3"	2.2"
		mm	80	40	112	41	7	57

(X)= C or S
C = Carbon Steel
S = 316 Stainless Steel

All dimensions shown in the catalog are approximate and subject to change.

AVAILABLE OPTIONS*

- High Temperature
- NACE
- Tube End Connection
- Alternate Connection Sizes

*Lead times/minimums may apply

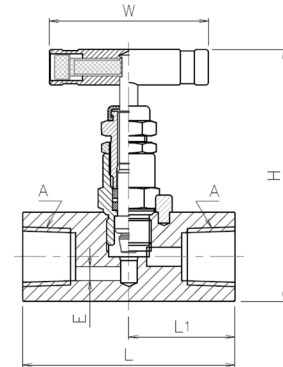
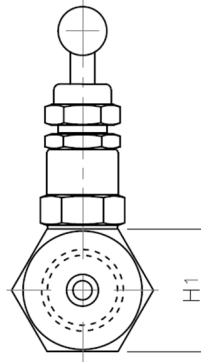
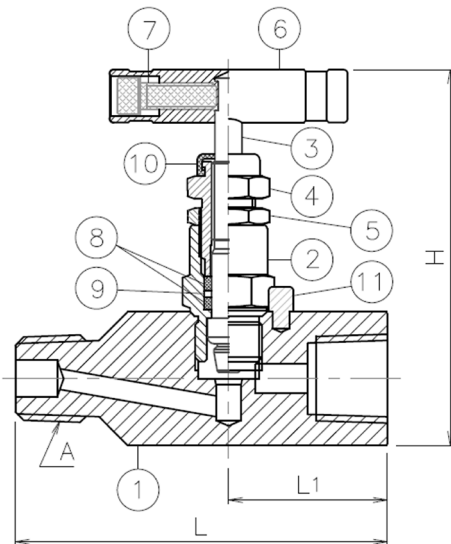
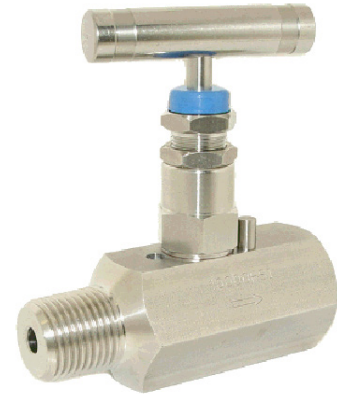
HV HEX BODY - HARD SEAT NEEDLE VALVE



**Strong and durable, instrument grade hex body needle valve with hard seat
Pressures up to 10,000 psi hard seat**

SPECIFICATIONS

Series Number	"HV"
Material	Carbon steel or 316 stainless steel body
Pressure Rating	Hard seat - 10,000 psi at 200° F
Connection Size	1/4", 1/2", 3/4" or 1" NPT male x female, female x female
Handle	Tee
Box Quantity	Standard: 15 pieces; 1": 10 pieces
Est. Unit Weight	Standard: 1.25 lb/0.58 kg; 1": 1.75 lb/0.80 kg



Number	Description	316SS Valve	Carbon Steel Valve
1	Body	S316	C.S.
2	Bonnet	S316	C.S.
3	Stem	S316	S304
4	Adjuster	S316	C.S.
5	Lock Nut	S316	C.S.
6	Handle	S303	C.S.
7	Fixing Screw	S302	C.S.
8	Stem Seal	PTFE	PTFE
9	Stem Seal	Viton®	Viton®
10	Dust Cap	NBR	NBR
11	Locking Pin	S303	S303

Hard Seat Part Number	Unit	L	L1	H	H1	E	W
HV-(X)S-1/4-HS-180-MXF 1/4" NPT	In.	3.2"	1.4"	3.9"	1.3"	0.2"	2.2"
HV-(X)S-1/2-HS-180-MXF 1/2" NPT	In.	3.2"	1.4"	3.9"	1.3"	0.2"	2.2"
HV-(X)S-3/4-HS-180-MXF 3/4" NPT	In.	3.2"	1.4"	3.9"	1.3"	0.2"	2.2"
	mm	82	35	98	32	4.8	57
HV-(X)S-1/4-HS-180-FXF 1/4" NPT	In.	3.0"	1.5"	3.9"	1.3"	0.2"	2.2"
HV-(X)S-1/2-HS-180-FXF 1/2" NPT	In.	3.0"	1.5"	3.9"	1.3"	0.2"	2.2"
HV-(X)S-3/4-HS-180-FXF 3/4" NPT	In.	3.0"	1.5"	3.9"	1.3"	0.2"	2.2"
	mm	75	37.5	98	32	4.8	57
HV-(X)S-1-HS-180-MXF 1" NPT	In.	3.7"	1.6"	4.4"	1.6"	0.3"	2.2"
	mm	95	41.5	112	41	7	57
HV-(X)S-1-HS-180-FXF 1" NPT	In.	3.1"	1.6"	4.4"	1.6"	0.3"	2.2"
	mm	80	40	112	41	7	57

(X)= C or S
C = Carbon Steel
S = 316 Stainless Steel

AVAILABLE OPTIONS*

- High Temperature
- NACE
- Tube End Connection
- Alternate Connection Sizes

*Lead times/minimums may apply

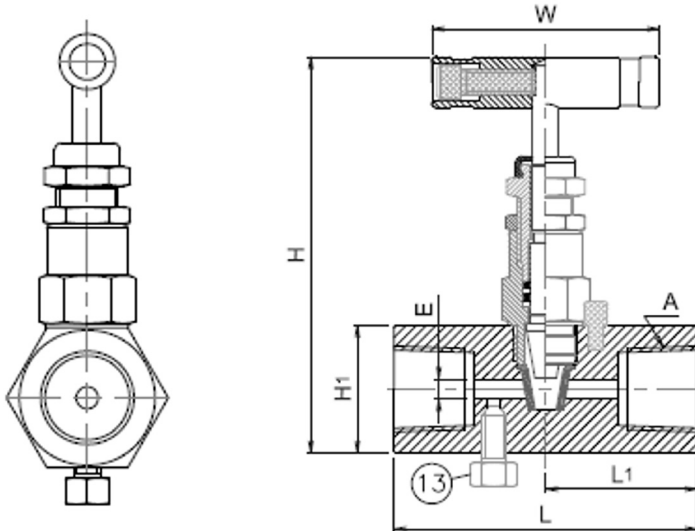
All dimensions shown in the catalog are approximate and subject to change.

BV BLOCK & BLEED VALVE

Strong and durable, instrument grade hex body needle valve with bleed screw
 Pressures up to 6,000 psi soft seat, 10,000 psi hard seat

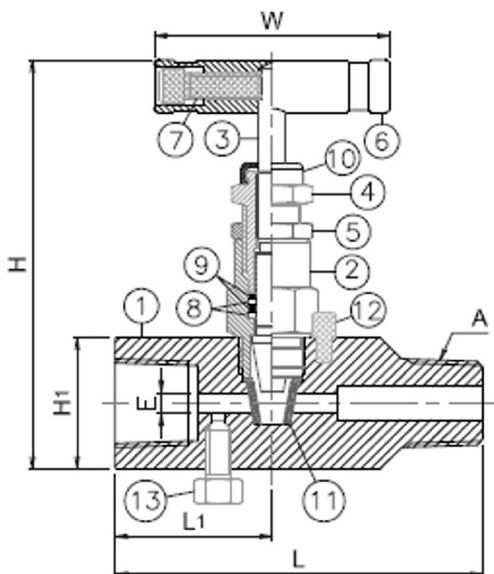
SPECIFICATIONS

Series Number	"BV"
Material	316 Stainless steel body
Pressure Rating	6000 psi soft seat 10,000 psi hard seat
Connection Size	1/4" NPT or 1/2" NPT male x female
Handle	Tee
Seat Material	Soft Seat - POM Hard Seat - Integrated
Box Quantity	15
Est. Unit Weight	1.25 lb/0.56 kg



Part Number	Unit	A	L	L1	H
BV-SS-1/2-HS-180-MXF	In.	1/4" or 1/2"	3.23"	1.38"	1.50"
BV-SS-1/4-HS-180-MXF	mm				
BV-SS-1/2-GS-180-MXF					
BV-SS-1/4-GS-180-MXF					
Part Number (Cont'd)	Unit	H1	E	W	
BV-SS-1/2-HS-180-MXF	In.	1.26"	0.18"	2.24"	
BV-SS-1/4-HS-180-MXF	mm	32	4.8	57	
BV-SS-1/2-GS-180-MXF					
BV-SS-1/4-GS-180-MXF					
Part Number	Unit	A	L	L1	H
BV-SS-1/2-HS-180-FXF	In.	1/4" or 1/2"	2.95"	1.47"	1.50"
BV-SS-1/4-HS-180-FXF	mm				
BV-SS-1/2-GS-180-FXF					
BV-SS-1/4-GS-180-FXF					
Part Number (Cont'd)	Unit	H1	E	W	
BV-SS-1/2-HS-180-FXF	In.	1.26"	0.18"	2.24"	
BV-SS-1/4-HS-180-FXF	mm	32	4.8	57	

7



Number	Description	316SS Valve
1	Body	S316
2	Bonnet	S316
3	Stem	S316
4	Adjuster	S316
5	Lock Nut	S316
6	Handle	S303
7	Fixing Screw	S302
8	Stem Seal	PTFE
9	Stem Seal	Viton®
10	Dust Cap	NBR
11	Soft Seat	POM
12	Locking Pin	S303
13	Bleeding Screw	S316

All dimensions shown in the catalog are approximate and subject to change.

AVAILABLE OPTIONS*

- High Temperature
- Tube End Connection
- Alternate Connection Sizes
- Carbon Steel Material
- Female x Female Connection

*Lead times/minimums may apply

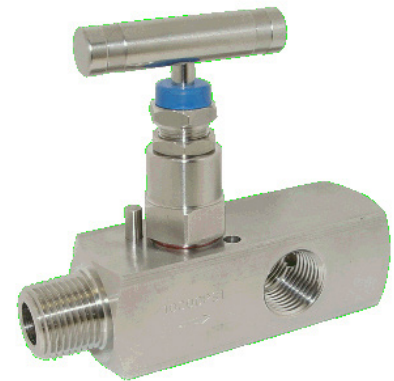
GV MULTI-PORT GAUGE VALVE



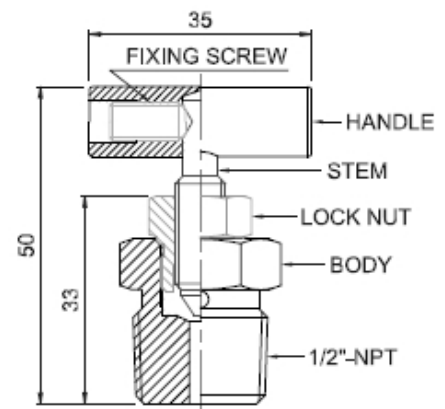
Strong and durable, instrument grade multi-port gauge valve
Pressures up to 6,000 psi soft seat, 10,000 psi hard seat

SPECIFICATIONS

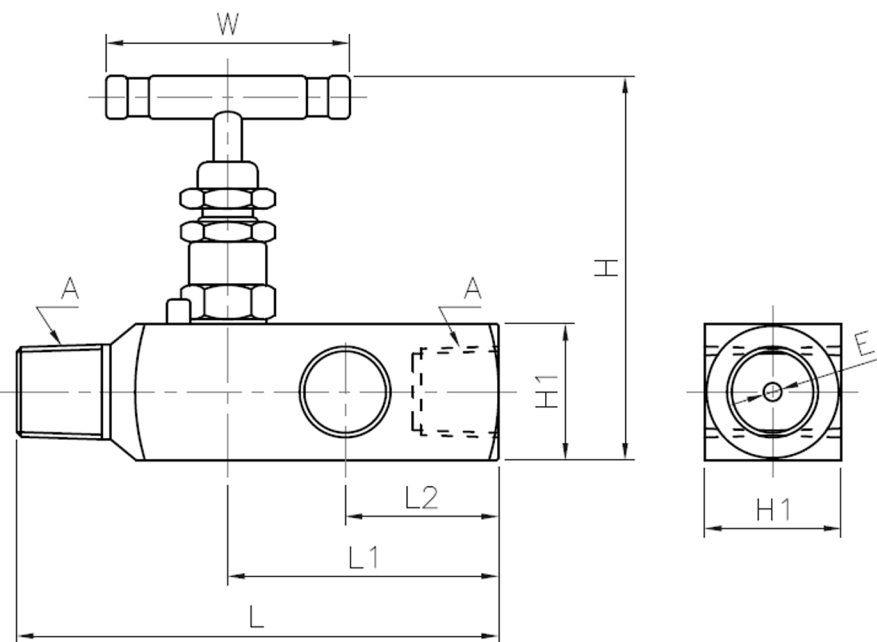
Series Number	"GV"
Material	316 Stainless steel body
Pressure Rating	6000 psi soft seat 10,000 psi hard seat
Connection Size	1/2" NPT male inlet x (3) 1/2" NPT female outlet 3/4" NPT male inlet x (3) 1/2" NPT female outlet
Handle	Tee
Seat Material	Soft Seat - POM Hard Seat - Integrated
Box Quantity	12
Est. Unit Weight	1.80 lb/0.80 kg



OPTIONAL BLEED VALVE ACCESSORY



P/N: BLEED VALVE



Part Number	Unit	A	L	L1	L2	H	H1	E	W
GV-SS-1/2-HS-3W-MXF	In.	1/2"	4.45"	2.50"	1.42"	3.86"	1.26"	0.24"	2.24"
GV-SS-3/4-HS-3W-MXF	mm	or 3/4"	113	63.5	36	98	32	6	57
GV-SS-1/2-GS-3W-MXF	In.	1/2"	4.45"	2.50"	1.42"	3.86"	1.26"	0.19"	2.24"
GV-SS-3/4-GS-3W-MXF	mm	or 3/4"	113	63.5	36	98	32	4.8	57

AVAILABLE OPTIONS*

- High Temperature
- Bleed Valve
- Hex Plug
- Tube End Connection
- Alternate Connection Sizes
- Carbon Steel Material

All dimensions shown in the catalog are approximate and subject to change.

*Lead times/minimums may apply

Diaphragm seals, also referred to as isolators or chemical seals, are used to protect instruments from viscous, corrosive or very high temperature process media. PIC Gauges stocks, fills and calibrates complete diaphragm seal assemblies in a wide variety of configurations.

			
<p>M3500 SERIES MINI SEALS Low cost for small instruments Dial size up to 3 1/2"</p>	<p>M4500 SERIES MINI SEALS Low cost for medium to large Dial size up to 4 1/2"</p>	<p>MLP SERIES MINI LOW PRESSURE Large area diaphragm for low pressures & vacuum</p>	<p>MHP SERIES MINI HIGH PRESSURE Mini diaphragm seal for pressures up to 6000 psi</p>
			
<p>LARGE THREADED Most versatile for all applications</p>	<p>THREADED FLUSH Mini seal - threaded male connection with flush diaphragm</p>	<p>SANITARY Tri-Clamp® /Cherry-Burrell®, etc. Food & pharmaceutical Designed for easy cleaning</p>	<p>FLANGED CONNECTION Raised face or flat face pressure from 150# to 2500#</p>
			
<p>SADDLE WELD Weld-in saddle mount</p>	<p>SPECIAL SEALS PTFE, homogenizer, single flange or other custom designs</p>	<p>FILLING/CALIBRATION Using any fill fluid suitable for the application. See page 149 for available options.</p>	

DIAPHRAGM SEALS



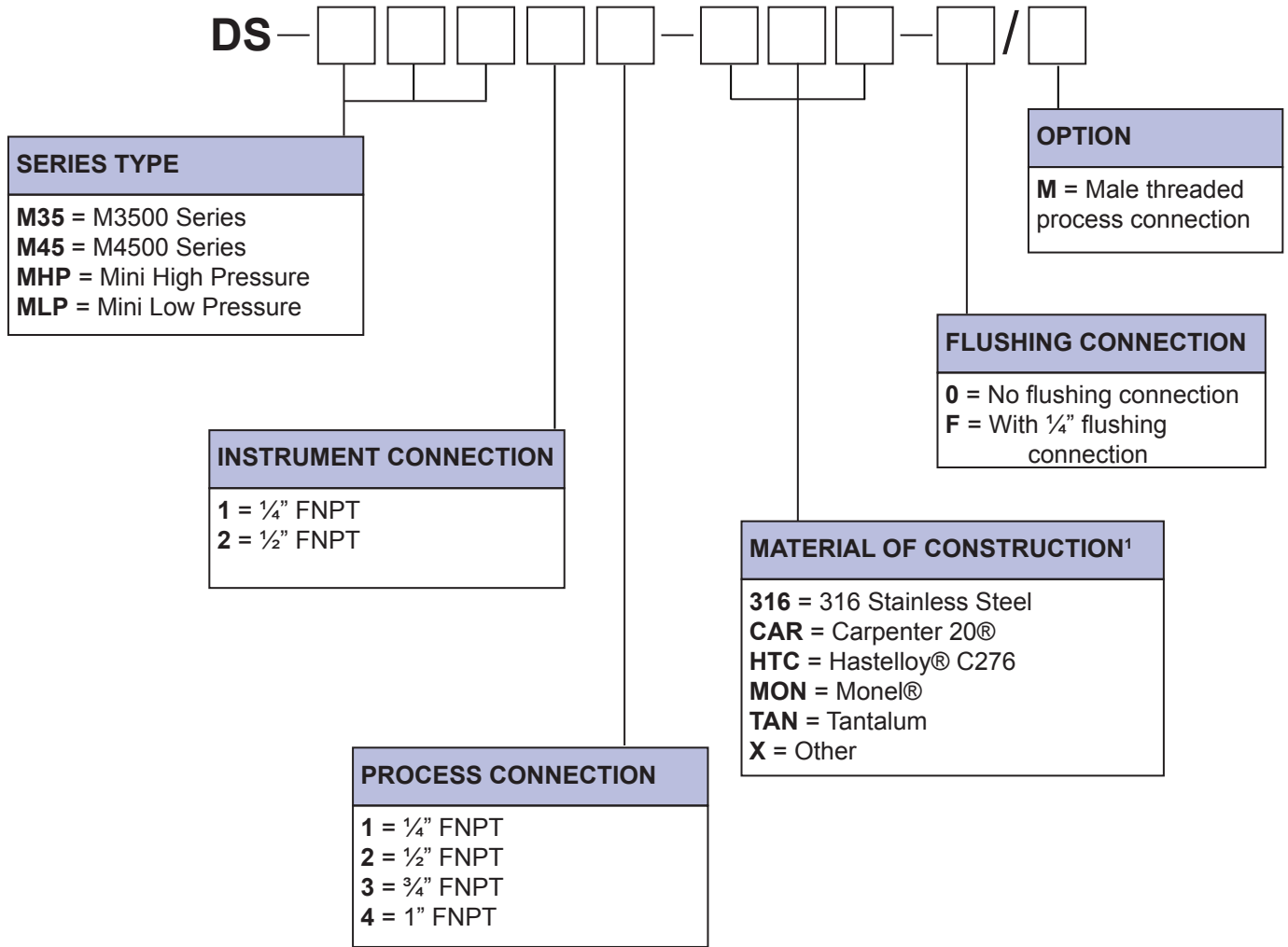
Considerations when selecting diaphragm seals

<p>Diaphragm seal assemblies consist of a pressure instrument, system fill and the diaphragm seal itself. Diaphragm seal assemblies can be made with a variety of instruments, connections and materials.</p> <p>Diaphragm seals are commonly made of stainless steel; however, various materials from carbon steel to Hastelloy® C276 are available to meet the demands of a wide range of applications.</p> <p>It is important to know as much about the application as possible to ensure that the correct materials are selected for the diaphragm seal assembly.</p>	
<p>PROCESS MEDIA</p>	<p>In selecting a diaphragm seal, the process media is a top concern. Media composition, ambient and operating temperature, and maximum working pressure are of particular importance in determining the construction of a diaphragm seal system.</p>
<p>UPPER HOUSING & INSTRUMENT CONNECTION</p>	<p>Typically a support structure for the pressure gauge, the upper housing does not come into direct contact with the process media. Materials of construction include carbon steel, 316 stainless steel and other custom alternatives. The upper housing holds the instrument connection, which is available in a variety of sizes, including NPT and metric.</p>
<p>DIAPHRAGM</p>	<p>The diaphragm is the isolating device between the process media and the pressure instrument. Since the diaphragm comes in direct contact with the process media, the selection of the diaphragm material depends upon the media being measured and the pressure rating.</p>
<p>LOWER HOUSING & PROCESS CONNECTION</p>	<p>Also in direct contact with the process media, the lower housing must be compatible with the process being measured. PIC Gauges offers a variety of metallic and non-metallic lower housings. The process connection is contained within the lower housing and includes threaded, flanged, clamped or other custom connections.</p>
<p>TEMPERATURE</p>	<p>Ambient and operating temperature should be known when determining the appropriate materials and fill fluid. For process temperatures over 212° F, a capillary or cooling element is recommended.</p>
<p>FILL FLUID COMPATIBILITY</p>	<p>For the fill fluid, it is critical to select materials that are compatible with the process media in order to avoid chemical volatility in the case of diaphragm rupture. In food processing applications, a nontoxic fluid should be selected.</p>
<p>OTHER REMAINING FACTORS</p>	<p>In addition to the above items, consideration should be given to the following: mounting position, response time, maximum pressure ratings, o-ring and gasket materials, bolting materials for flanged connections and more. For further technical assistance, please contact PIC Gauges.</p>

NOTE: The above information is for reference only and is not a comprehensive guide. Please contact your PIC Gauges representative with any questions.



MINI DIAPHRAGM SEAL PART NUMBERING SYSTEM



EXAMPLE: "DS-M3512-316-F"²

DS = Diaphragm Seal

M35 = M3500 Series
1 = 1/4" FNPT
2 = 1/2" FNPT

316 = 316 Stainless steel

F = With 1/4" flushing connection



Notes:
 1. Consult PIC Gauges for other materials of construction.
 2. Not all part numbers or options are available from stock. Consult PIC Gauges for availability.

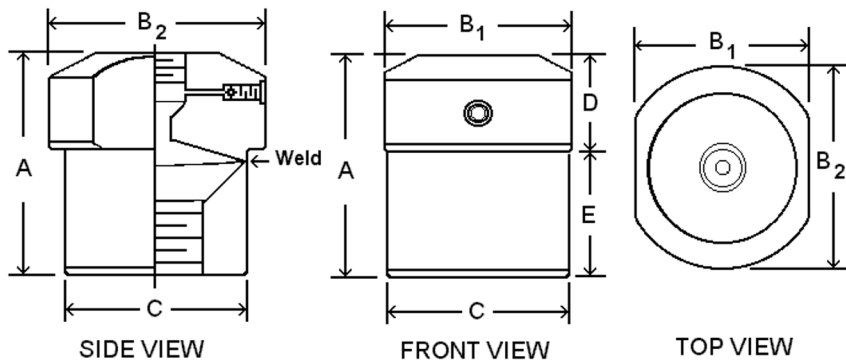
M3500 SERIES MINI DIAPHRAGM SEAL



Threaded mini diaphragm seal for dial sizes up to 3 1/2"
Compact, durable all-welded construction

SPECIFICATIONS

Design	Diaphragm, upper and lower housing welded
Instruments	Gauges, pressure transducers, transmitters
Appropriate Dial Size	1 1/2" (38 mm) through 3 1/2" (88.9 mm)
Pressures	60 psi through 2500 psi
Upper Housing	Standard: 316 stainless steel Optional: Monel®, Hastelloy® C276, Tantalum
Diaphragm	Standard: 316 stainless steel Optional: Monel®, Hastelloy® C276, Tantalum
Lower Housing	Standard: 316 stainless steel Optional: Monel®, Hastelloy® C276, Tantalum
Process Connection	1/4" FNPT, 1/2" FNPT, 3/4" FNPT
Instrument Connection	1/4" FNPT, 1/2" FNPT
Process Temperature¹	-49°F to 400°F (-45°C to 204°C)

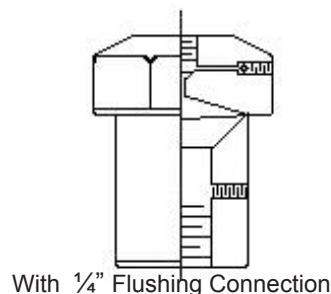


AVAILABLE OPTIONS*

- Flushing (1/4") connection available on lower housing
- Male threaded process connection
- Oxygen cleaned
- Material analysis certificate
- Custom upper/lower/diaphragm materials

Diaphragm Seal	Unit	A	B1	B2	C	D	E
Standard	In.	1.50"	1.60"	1.73"	1.49"	0.67"	0.81"
	mm	38	41	44	38	17	21
With Flushing Connection	In.	1.91"	1.60"	1.73"	1.49"	0.63"	1.35"
	mm	49	41	44	38	16	34

*Lead times/minimums may apply



Notes:

1. Process Temperature Rating can vary based on materials of construction, system fill fluid and pressure gauge selection.

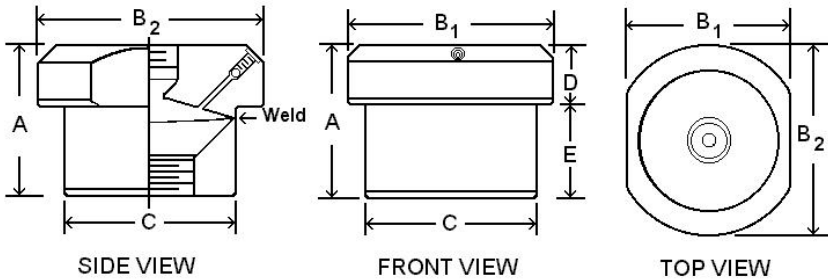


M4500 SERIES MINI DIAPHRAGM SEAL

Threaded mini diaphragm seal for dial sizes up to 4 1/2"
Compact, durable all-welded construction

SPECIFICATIONS

Design	Diaphragm, upper and lower housing welded
Instruments	Gauges, pressure transducers, transmitters
Appropriate Dial Size	Sizes through 4 1/2" (114 mm)
Pressures	30 psi through 2500 psi
Upper Housing	Standard: 316 stainless steel Optional: Monel®, Hastelloy® C276, Tantalum
Diaphragm	Standard: 316 stainless steel Optional: Monel®, Hastelloy® C276, Tantalum
Lower Housing	Standard: 316 stainless steel Optional: Monel®, Hastelloy® C276, Tantalum
Process Connection	1/4" FNPT, 1/2" FNPT, 3/4" FNPT, 1" FNPT
Instrument Connection	1/4" FNPT, 1/2" FNPT
Process Temperature¹	-49°F to 750°F (-45°C to 399°C)



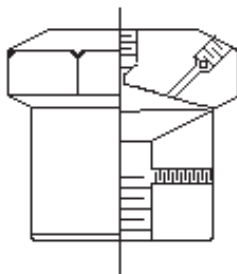
AVAILABLE OPTIONS*

- Flushing (1/4") connection available on lower housing
- Male threaded process connection
- Oxygen cleaned
- Material analysis certificate
- Custom upper/lower/diaphragm materials

Diaphragm Seal	Unit	A	B1	B2	C	D	E
Standard	In.	1.48"	2.35"	2.48"	1.91"	0.65"	0.83"
	mm	38	60	63	49	17	21
With Flushing Connection	In.	1.94"	2.28"	2.48"	1.91"	0.63"	1.31"
	mm	49	58	63	49	16	33

*Lead times/minimums may apply

8



With 1/4" Flushing Connection

Notes:

1. Process Temperature Rating can vary based on materials of construction, system fill fluid and pressure gauge selection.

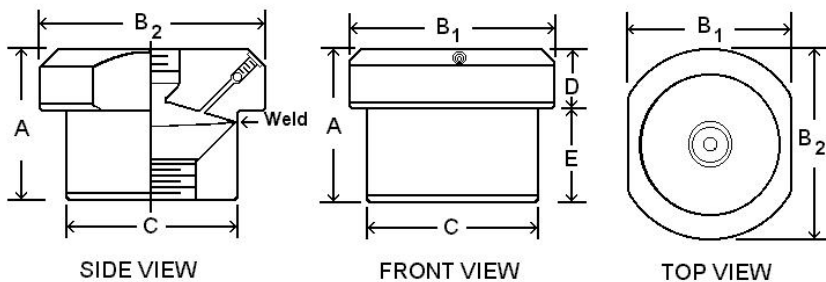
MHP MINI HIGH PRESSURE DIAPHRAGM SEAL



Threaded mini diaphragm seal for high pressure applications
Compact, durable all-welded construction

SPECIFICATIONS

Design	Diaphragm, upper and lower housing welded
Instruments	Gauges, pressure transducers, transmitters
Appropriate Dial Size	1 1/2" (38 mm) through 6" (152.4 mm)
Pressures	1000 psi through 6000 psi
Upper Housing	Standard: 316 stainless steel Optional: Monel®, Hastelloy® C276, Tantalum
Diaphragm	Standard: 316 stainless steel Optional: Monel®, Hastelloy® C276, Tantalum
Lower Housing	Standard: 316 stainless steel Optional: Monel®, Hastelloy® C276, Tantalum
Process Connection	1/4" FNPT, 1/2" FNPT, 3/4" FNPT, 1" FNPT
Instrument Connection	1/4" FNPT, 1/2" FNPT
Process Temperature¹	-49°F to 400°F (-45°C to 204°C)

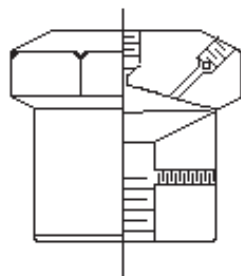


AVAILABLE OPTIONS*

- Flushing (1/4") connection available on lower housing
- Male threaded process connection
- Oxygen cleaned
- Material analysis certificate
- Custom upper/lower/diaphragm materials

Diaphragm Seal	Unit	A	B1	B2	C	D	E
Standard	In.	1.60"	1.90"	1.99"	1.62"	0.75"	0.85"
	mm	41	48	51	41	19	22
With Flushing Connection	In.	2.04"	1.90"	1.99"	1.63"	0.75"	0.85"
	mm	52	48	51	41	19	22

*Lead times/minimums may apply



With 1/4" Flushing Connection

Notes:

1. Process Temperature Rating can vary based on materials of construction, system fill fluid and pressure gauge selection.



MLP MINI LOW PRESSURE DIAPHRAGM SEAL

Threaded mini diaphragm seal for low pressure applications
Compact, durable all-welded construction

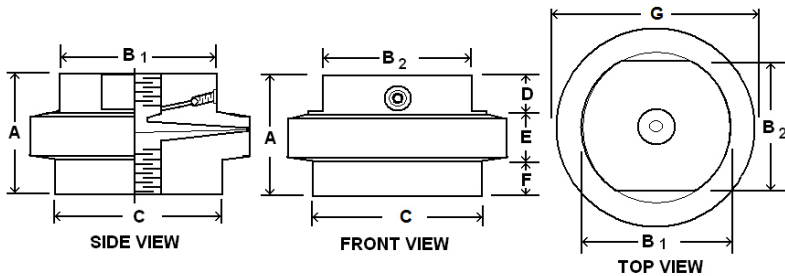
SPECIFICATIONS

Design	Diaphragm, upper and lower housing welded
Instruments	Gauges, pressure transducers, transmitters
Appropriate Dial Size	1 1/2" (38 mm) through 4 1/2" (114.3 mm)
Pressures	Vacuum or pressures up to 2500 psi
Upper Housing	Standard: 316 stainless steel Optional: Monel®, Hastelloy® C276, Tantalum
Diaphragm	Standard: 316 stainless steel Optional: Monel®, Hastelloy® C276, Tantalum
Lower Housing	Standard: 316 stainless steel Optional: Monel®, Hastelloy® C276, Tantalum
Process Connection	1/4" FNPT, 1/2" FNPT, 3/4" FNPT, 1" FNPT
Instrument Connection	1/4" FNPT, 1/2" FNPT
Process Temperature¹	-49°F to 750°F (-45°C to 399°C)



AVAILABLE OPTIONS*

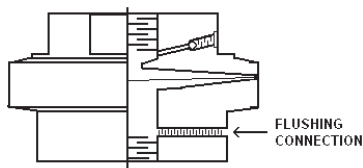
- Flushing (1/4") connection available on lower housing
- Male threaded process connection
- Oxygen cleaned
- Material analysis certificate
- Custom upper/lower/diaphragm materials



Diaphragm Seal	Unit	A	B1	B2	C	D	E	F	G
Standard	In.	1.51"	1.87"	1.74"	1.77"	0.50"	0.53"	0.48"	2.48"
	mm	38	47	44	45	13	13	12	63
With Flushing Connection	In.	1.84"	1.86"	1.70"	2.01"	0.50"	0.50"	0.82"	2.48
	mm	47	47	43	51	13	13	21	63

*Lead times/minimums may apply

8

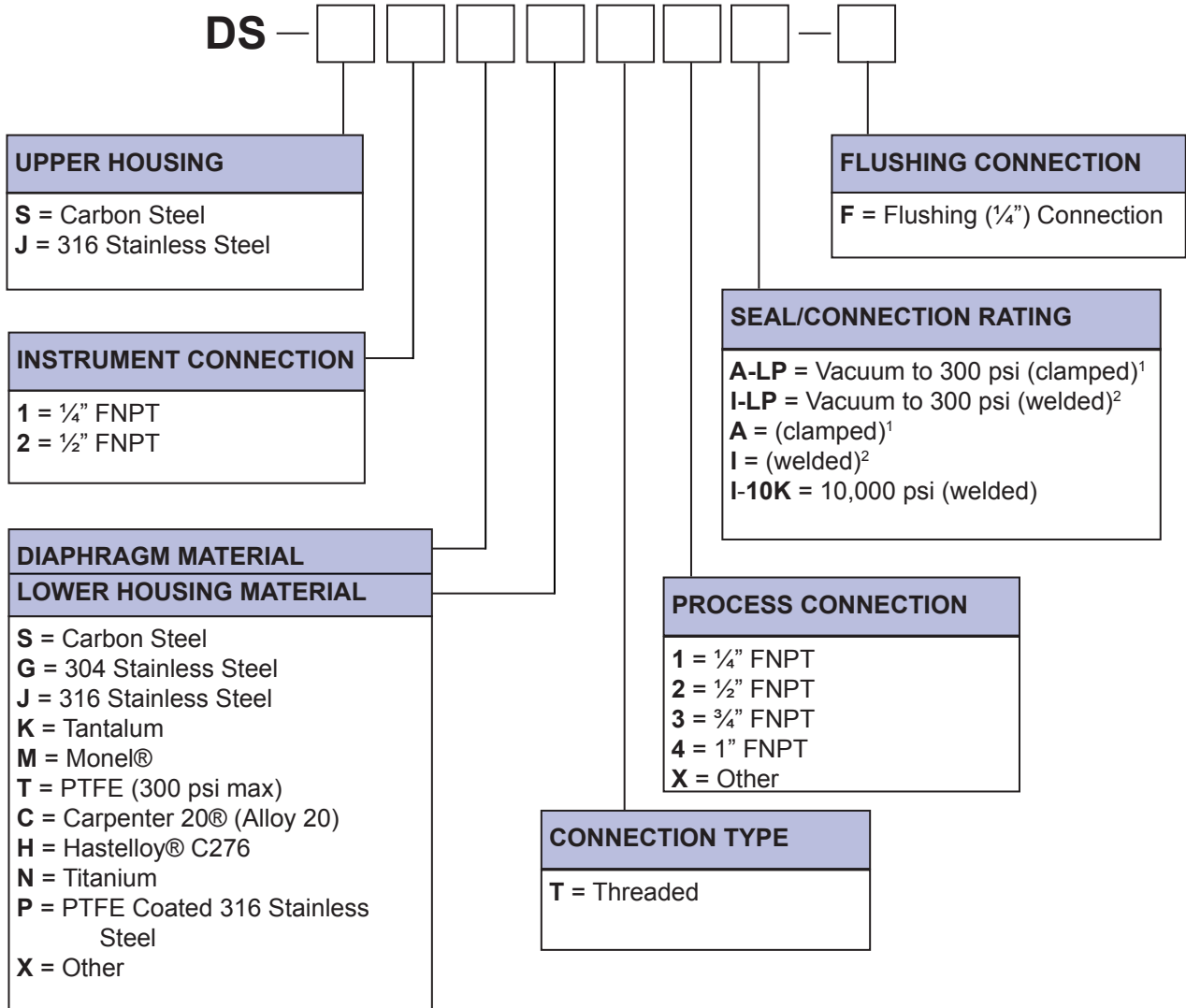


With 1/4" Flushing Connection

Notes:

1. Process Temperature Rating can vary based on materials of construction, system fill fluid and pressure gauge selection.

THREADED DIAPHRAGM SEAL PART NUMBERING SYSTEM



EXAMPLE: "DS-J2JJT2I-F"³

DS = Diaphragm Seal

J = 316 Stainless Steel Upper Housing
2 = 1/2" FNPT Instrument Connection
J = 316 Stainless Steel Diaphragm
J = 316 Stainless Steel Lower Housing
T = Threaded Connection
2 = 1/2" FNPT Process Connection
I = 2500 psi (welded diaphragm)

F = Flushing (1/4") Connection

Notes:

1. Metallic diaphragm rated up to 2000 psi
2. Metallic diaphragm rated up to 2500 psi
Elastomer diaphragm ratings vary, consult PIC Gauges for details.
3. Not all part numbers or options are available from stock. Consult PIC Gauges for availability.

Threaded full size diaphragm seal Heavy duty, bolted construction

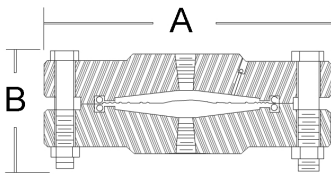
SPECIFICATIONS

Design	Standard: Diaphragm welded to upper housing Also available: Clamped
Instruments	Gauges, pressure switches, transmitters
Appropriate Dial Size	2 1/2" (63 mm) through 6" (152.4 mm)
Pressures	Vacuum or pressures up to 2500 psi
Upper Housing	Chrome plated carbon steel or stainless steel
Wetted Materials (Diaphragm/ Lower Housing)	Standard: Carbon, 304 or 316 stainless steel Also available: Hastelloy® C276, Monel®, Tantalum, PTFE (clamped), Carpenter 20®, Titanium, Others upon request
Process Connection	1/4" FNPT, 1/2" FNPT, 3/4" FNPT, 1" FNPT
Instrument Connection	1/4" FNPT, 1/2" FNPT
Bolts	Galvanized steel (CS upper) Stainless steel (SS upper)
Gaskets	Standard: Buna N® Also available: Viton®, PTFE, Grafoil®, others upon request
Process Temperature¹	-4°F to 212°F (-20°C to 100°C)

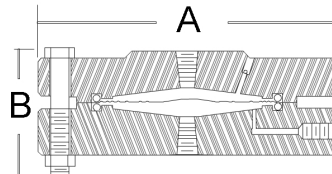


AVAILABLE OPTIONS*

- Clamped diaphragm
- Flushing (1/4") connection available on lower housing
- Male threaded process connection
- Oxygen cleaned
- Material analysis certificate
- High temperature with grafoil gasket
- Clean-out ring (available on clamped designs only)

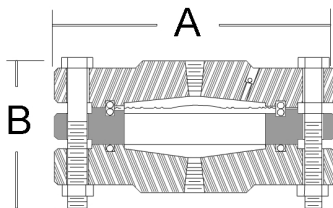


STANDARD



WITH FLUSHING CONNECTION

*Lead times/minimums may apply



WITH CLEAN-OUT RING

Diaphragm Seal	Unit	A	B
Standard	In.	4.00"	1.50"
	mm	100	38
With Flushing Connection	In.	4.00"	1.75"
	mm	100	45
With Clean-out Ring	In.	4.00"	2.13"
	mm	100	54

Notes:

1. Process Temperature Rating can vary based on materials of construction, system fill fluid, gaskets and pressure gauge selection.

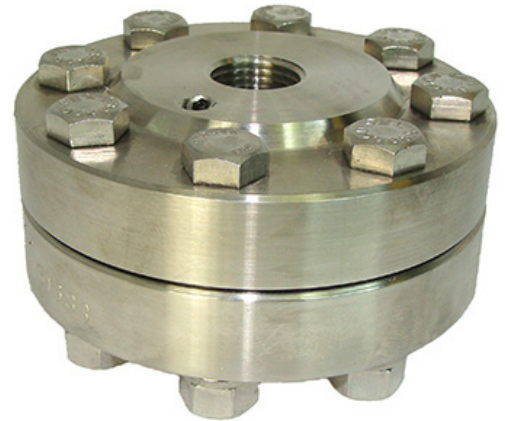
THREADED HIGH PRESSURE DIAPHRAGM SEAL



Threaded high pressure diaphragm seal rated up to 10,000 psi
Heavy duty bolted construction

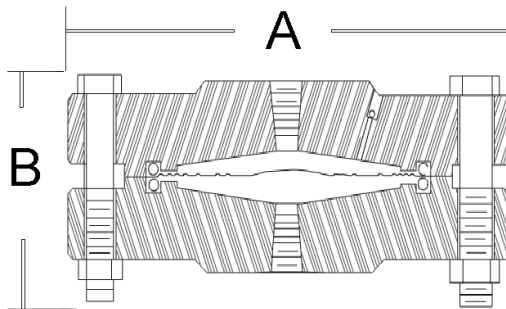
SPECIFICATIONS

Design	Standard: Diaphragm welded to upper housing Also available: Clamped
Instruments	Gauges, pressure switches, transmitters
Appropriate Dial Size	2 1/2" (63 mm) through 6" (152.4 mm)
Pressures	Pressures from 2500 to 10,000 psi
Upper Housing	Chrome plated carbon steel or stainless steel
Wetted Materials	Standard: Carbon, 304 or 316 stainless steel Also available: Hastelloy® C276, Monel®, Tantalum, PTFE (lined), Carpenter 20®, Titanium, Others upon request
Process Connection	1/4" FNPT, 1/2" FNPT, 3/4" FNPT, 1" FNPT
Instrument Connection	1/4" FNPT, 1/2" FNPT
Bolts	Galvanized steel (CS upper) Stainless steel (SS upper)
Gaskets	Standard: Buna N® Also available: Viton®, PTFE, Grafoil®, others upon request
Process Temperature¹	-4°F to 212°F (-20°C to 100°C)



AVAILABLE OPTIONS*

- Flushing (1/4") connection available on lower housing
- Male threaded process connection
- Oxygen cleaned
- Material analysis certificate
- High temperature with grafoil gasket



*Lead times/minimums may apply

THREADED HIGH PRESSURE

Diaphragm Seal	Unit	A	B
High Pressure	In.	4"	2 1/4"
	mm	101.6	57.2

Notes:

1. Process Temperature Rating can vary based on materials of construction, system fill fluid, gaskets and pressure gauge selection.



THREADED LOW PRESSURE DIAPHRAGM SEAL

Threaded diaphragm seal designed for sensitive, low pressure applications, Vacuum - 100 psi, including inches water column and mbar ranges

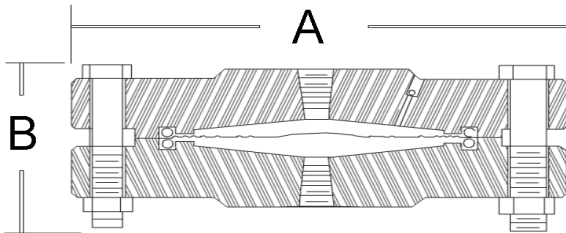
SPECIFICATIONS

Design	Standard: Diaphragm welded to upper housing Also available: Clamped
Instruments	Gauges, pressure switches, transmitters
Appropriate Dial Size	2 1/2" (63 mm) through 6" (152.4 mm)
Pressures	Vacuum or pressures up to 100 psi
Maximum Pressure	1,000 psi
Upper Housing	Chrome plated carbon steel or stainless steel
Wetted Materials	Standard: Carbon, 304 or 316 stainless steel Also available: Hastelloy® C276, Monel®, Tantalum, PTFE (clamped), Carpenter 20®, Titanium, Others upon request
Process Connection	1/4" FNPT, 1/2" FNPT, 3/4" FNPT, 1" FNPT
Instrument Connection	1/4" FNPT, 1/2" FNPT
Bolts	Galvanized steel (CS upper) Stainless steel (SS upper)
Gaskets	Standard: Buna N® Also available: Viton®, PTFE, Grafoil®, others upon request
Process Temperature¹	-4°F to 212°F (-20°C to 100°C)



AVAILABLE OPTIONS*

- Clamped diaphragm
- Flushing (1/4") connection available on lower housing
- Male threaded process connection
- Oxygen cleaned
- Material analysis certificate
- High temperature with grafoil gasket



*Lead times/minimums may apply

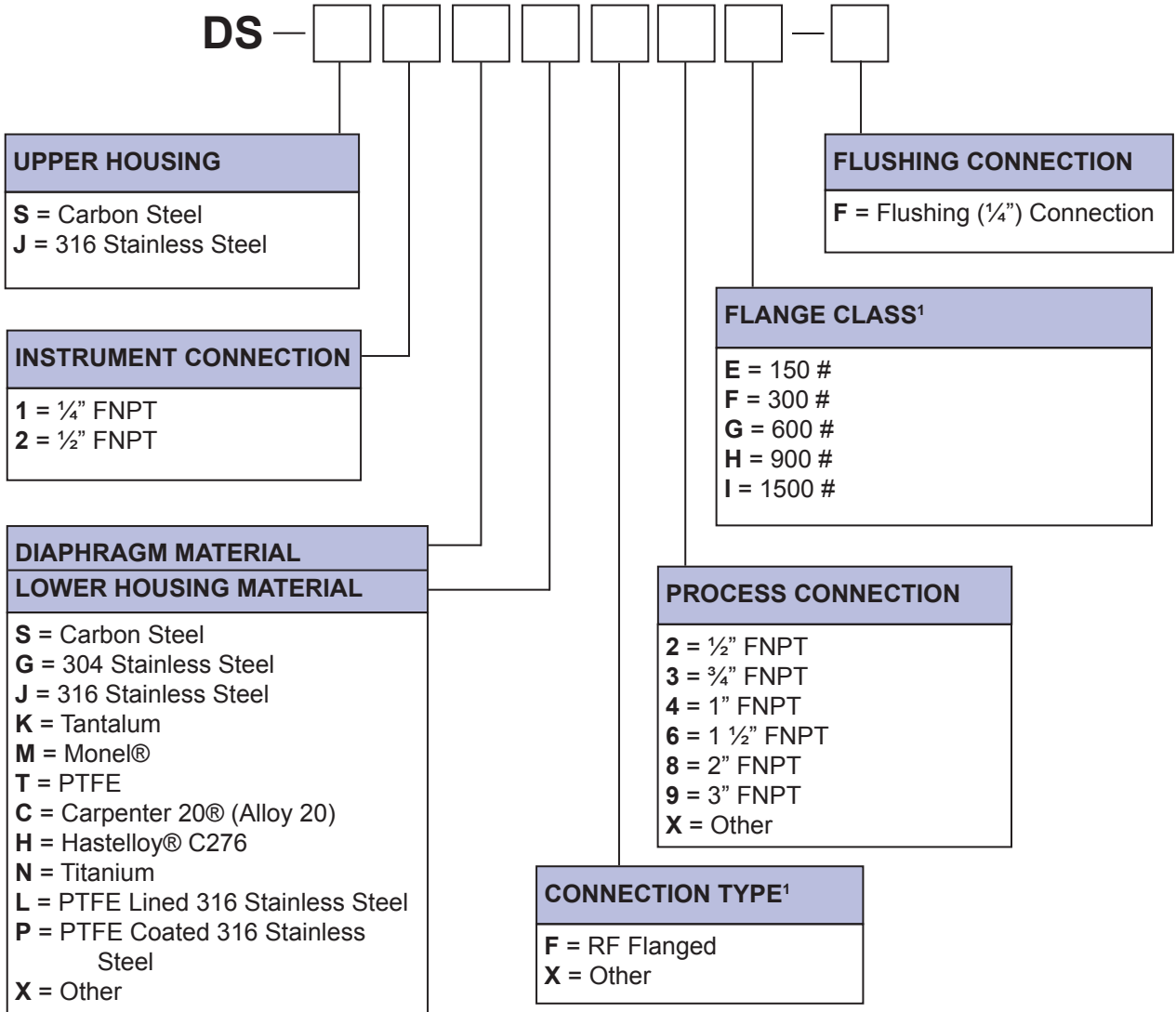
LOW PRESSURE

Diaphragm Seal	Unit	A	B
Standard	In.	5"	1 1/2"
	mm	127	38

Notes:

1. Process Temperature Rating can vary based on materials of construction, system fill fluid, gaskets and pressure gauge selection.

FLANGED DIAPHRAGM SEAL PART NUMBERING SYSTEM



EXAMPLE: "DS-J2JJF2F"²

DS = Diaphragm Seal

J = 316 Stainless Steel Upper Housing

2 = 1/2" FNPT Instrument Connection

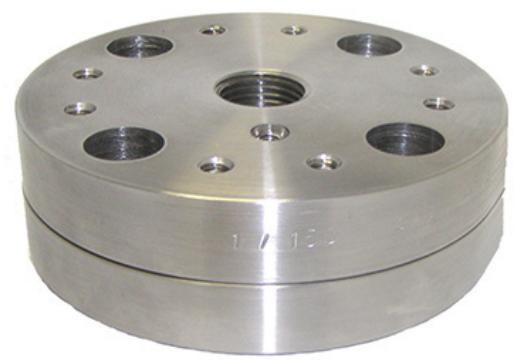
J = 316 Stainless Steel Diaphragm

J = 316 Stainless Steel Lower Housing

F = RF Flanged Connection

2 = 1/2" Process Connection

F = 300 #



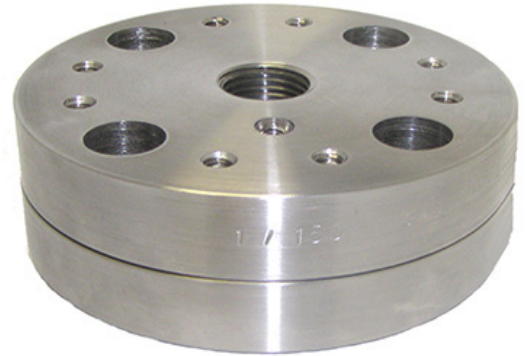
8

Notes:
 1. Other connection types and flange classes available upon request.
 2. Not all part numbers or options are available from stock. Consult PIC Gauges for availability.

RF (Raised Face) flanged diaphragm seal

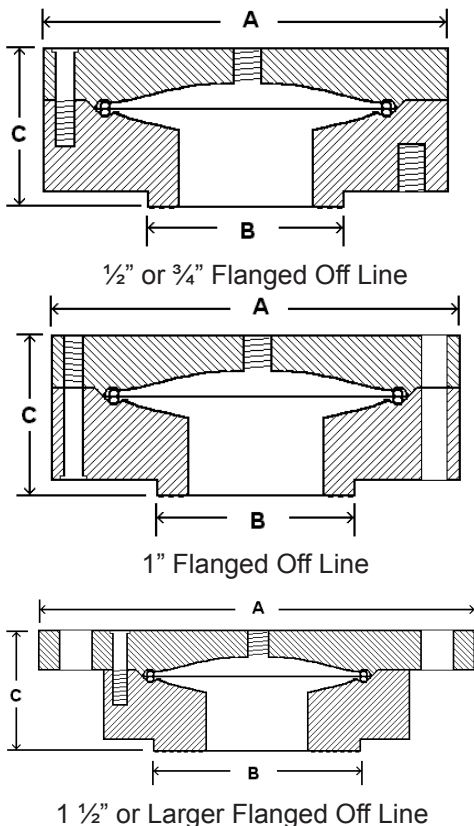
SPECIFICATIONS

Design	Standard: Diaphragm welded to upper housing Also available: Clamped
Instruments	Gauges, pressure switches, transmitters
Appropriate Dial Size	2 1/2" (63 mm) through 6" (152.4 mm)
Pressures	See ASME B16.5 flange ratings
Upper Housing	Chrome plated carbon steel or stainless steel
Wetted Materials	Standard: Carbon, 304 or 316 stainless steel Also available: Hastelloy® C276, Monel®, Tantalum, PTFE (clamped), Carpenter 20®, Titanium, Others upon request
Process Connection	Available sizes see chart below
Instrument Connection	1/4" FNPT, 1/2" FNPT
Bolts	Galvanized steel (CS upper) Stainless steel (SS upper)
Gaskets	Standard on all stainless: Buna N® Also available: Viton®, PTFE, Grafoil®, others upon request
Process Temperature ¹	-4°F to 212°F (-20°C to 100°C)



AVAILABLE OPTIONS*

- Flushing (1/4") connection available on lower housing
- RTJ or other facings available upon request
- 600, 900, 1500# flanged available upon request
- Oxygen cleaned
- Material analysis certificate
- High temperature with Grafoil® gasket



*Lead times/minimums may apply

Process Connection	Flange Rating Class	A	B	C
1/2"	150 #	3 1/2"	1 3/8"	1 3/4"
3/4"		3 3/4"	1 11/16"	1 3/4"
1/2"	300 #	3 3/4"	1 3/8"	1 3/4"
3/4"		4 5/8"	1 11/16"	1 3/4"
1"	150 #	4 1/4"	1 3/8"	1 1/3"
	300 #	4 7/8"	1 9/16"	1 1/3"
600, 900, 1500 # dimensions available upon request.				
1 1/2" or larger	All dimensions according to size and rating of flange.			

Notes:
1. Process Temperature Rating can vary based on materials of construction, system fill fluid, gaskets and pressure gauge selection.

DS-M3A SANITARY DIAPHRAGM SEALS



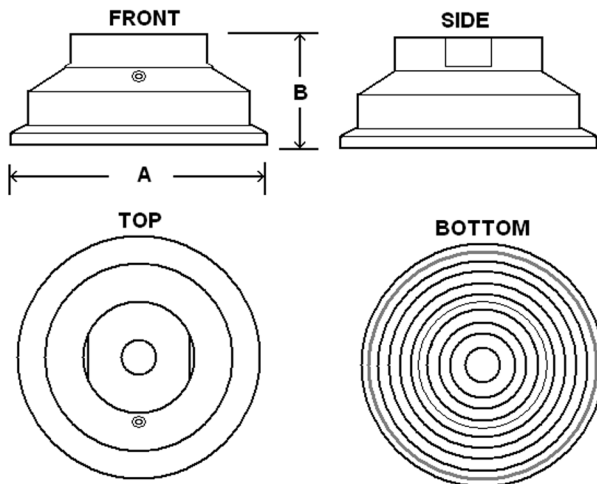
Sanitary Tri-Clamp® style diaphragm seal for applications that require sanitary conditions, including food and beverage applications

SPECIFICATIONS

Design	Upper housing and separating diaphragm
Instruments	Gauges, pressure switches, transmitters
Appropriate Dial Size	1 ½" (38 mm) through 6" (152.4 mm)
Operating Temp¹	-10° F to 572° F (-23° C to 300° C)
Upper Housing	316 stainless steel
Diaphragm	Standard: 316L stainless steel Other materials available upon request
Sanitary Clamp Size	½" - 4"
Pressure Rating	Based on the clamp and gasket used with the assembly



Designed & manufactured to meet the requirements of the 3A sanitary standard.



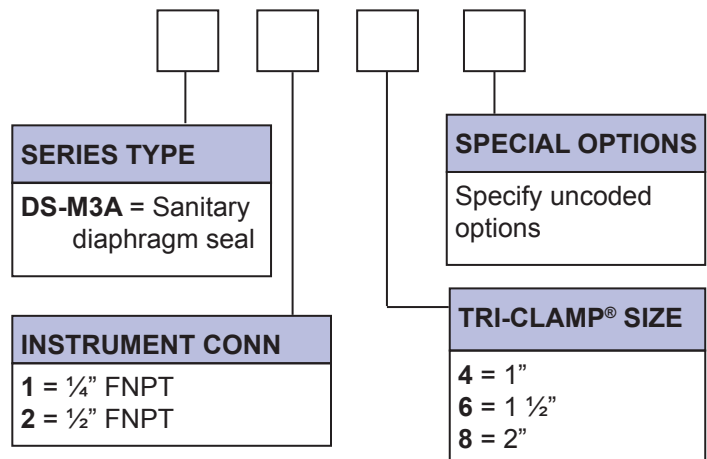
Tri-Clamp® Size	Unit	A	B
1"	In.	2.00"	1.26"
	mm	51	32
1 ½"	In.	2.00"	1.26"
	mm	51	32
2"	In.	2.50"	1.26"
	mm	63	32

AVAILABLE OPTIONS*

- Without fill-port
- Material analysis certificate
- ½" and ¾" Tri-Clamp® dimensions available upon request

*Lead times/minimums may apply

PART NUMBERING SYSTEM



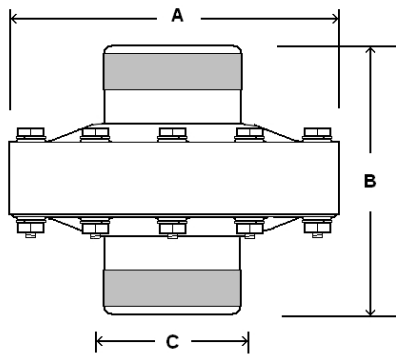
Notes:

1. Operating Temperature Rating can vary based on materials of construction, system fill fluid and pressure gauge selection.
2. Not all part numbers or options are available from stock. Consult PIC Gauges for availability.

PVC diaphragm seal for applications that are corrosive to metallic components
 Designed for pressures up to 200 psi

SPECIFICATIONS

Design	PVC body with stainless steel bands to prevent splitting when installing
Instruments	Gauges, pressure switches, transmitters
Appropriate Dial Size	2 1/2" (63 mm) through 6" (152.4 mm)
Pressures	Vacuum up to 200 psi
Upper Housing	PVC
Diaphragm	PTFE or Viton®
Lower Housing	PVC
Process Connection	1/4" FNPT, 1/2" FNPT
Instrument Connection	1/4" FNPT, 1/2" FNPT
Bolts	304 Stainless Steel
Gaskets	Integral to diaphragm (PTFE)



AVAILABLE OPTIONS*

- Oxygen cleaned
- Material analysis certificate

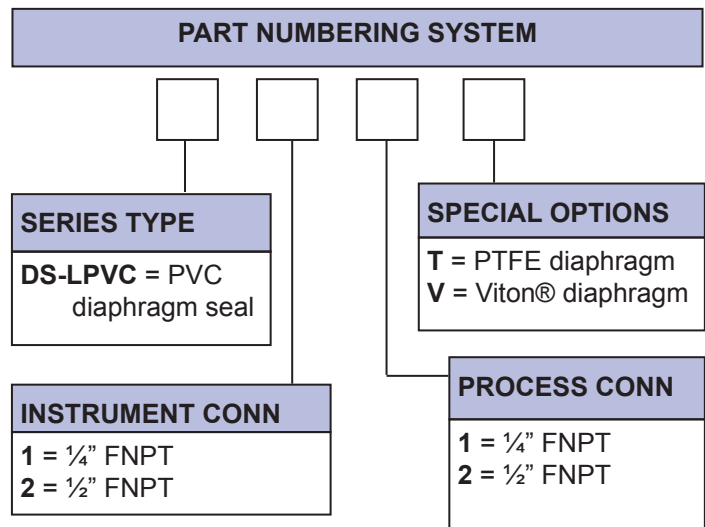
Process Conn Size	Instrument Conn Size	A	B	C
1/4"	1/4"	3.22"	3.38"	1.29"
1/2"	1/2"	3.22"	3.38"	1.29"

Part	Pcs.	Materials
Lower Housing	1	PVC
Diaphragm	1	PTFE or Viton®
Upper Housing	1	PVC
Optional Gauge	1	
Hex Bolt, Nut & Washers	9 sets	304SS, M5x30
Stainless Steel Bands	2	SS

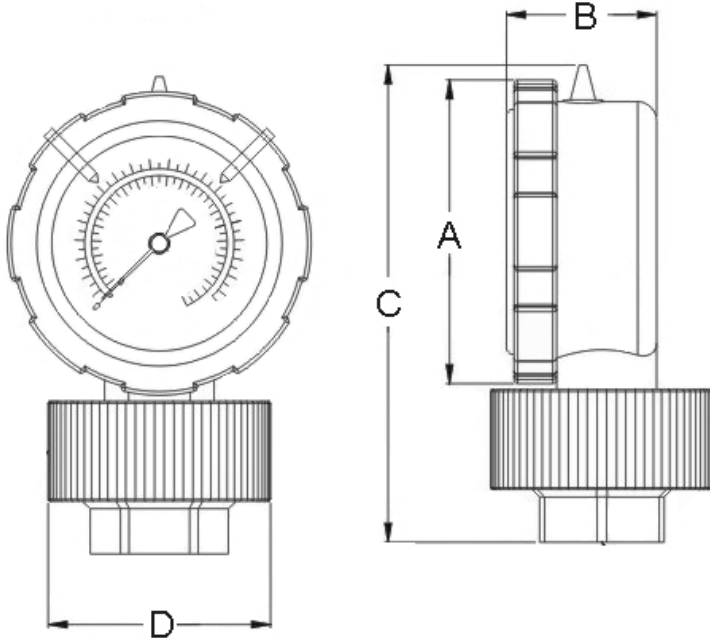
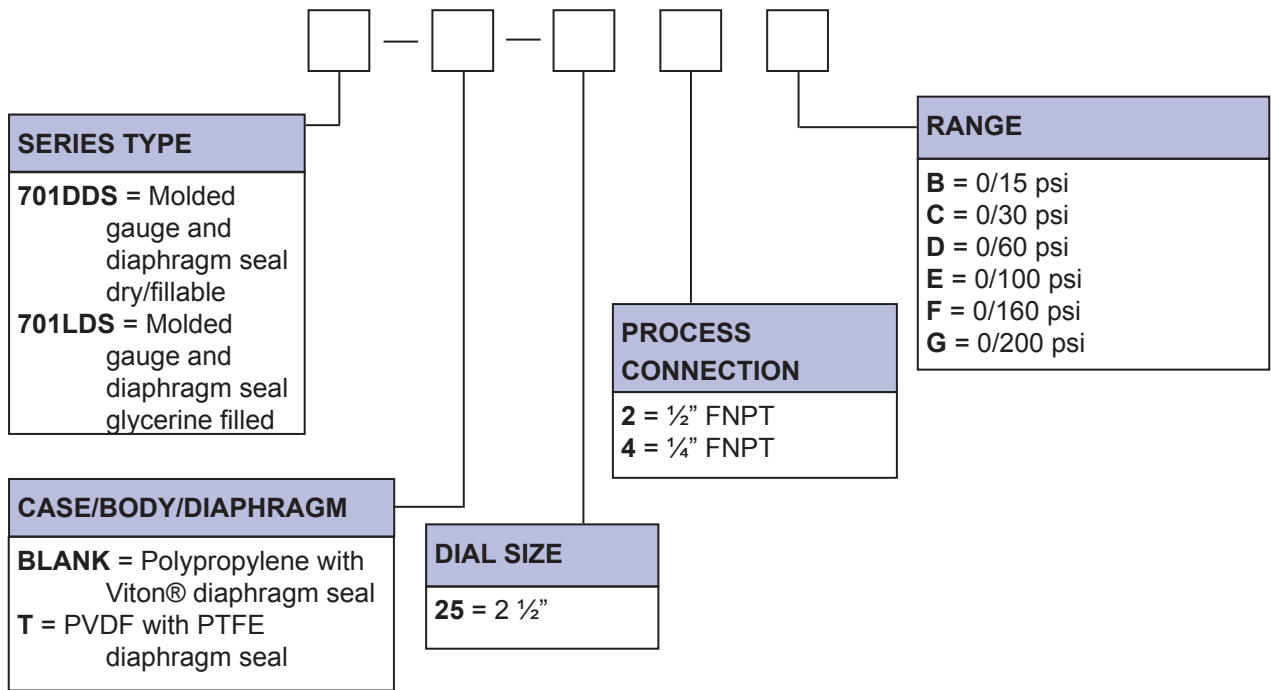
Material	10-20°C 50-68°F	30°C 86°F	40°C 104°F	50°C 122°F	60°C 140°F
PVC working psi	150	115	85	60	15

Temperature Ranges - PVC: -10 to 60°C (14 to 140°F)

*Lead times/minimums may apply



701DDS MOLDED GAUGE & DIAPHRAGM SEAL PART NUMBERING SYSTEM



Dial Range	Figure Intervals	Graduation Intervals
0/15 psi	2 psi	0.2 psi
0/30 psi	5 psi	0.5 psi
0/60 psi	10 psi	1 psi
0/100 psi	20 psi	2 psi
0/160 psi	20 psi	2 psi
0/200 psi	40 psi	5 psi

Dial	Unit	A	B	C	D
2 1/2"	In.	3.16"	1.61"	5.35"	2.32"
	mm	80.5	41	136	59

NOTE: Not all part numbers or options are available from stock. Consult PIC Gauges for availability.



701DDS MOLDED GAUGE & DIAPHRAGM SEAL

One-piece molded gauge/diaphragm seal assembly
Heavy duty, tamper-resistant design

SPECIFICATIONS - 701DDS POLYPROPYLENE CASE/VITON® SEAL

Dial Size	2 1/2" (63 mm)
Case	Injection molded polypropylene, dry yet fillable
Wetted Parts:	
Diaphragm	Viton®
Lower Housing	Polypropylene
Bezel	Injection molded polypropylene, removable
Lens	Polycarbonate
Pointer	Black aluminum
Scale	Standard: psi/BAR x 100 = kPa
Pressure	0/15 to 0/200 psi
Accuracy	2-1-2% of span, ASME B40.1 Grade A
Maximum Temp	-4° F to 140° F (-20° C to 60° C)
Internals(non-wetted)	Copper alloy
Process Connection	1/4" FNPT or 1/2" FNPT
System Fill Fluid	Based on customer requirements

Design meets or exceeds ASME B40.100 pressure gauge standard.



AVAILABLE OPTIONS*

- Liquid Fill Options, see page 173

*Lead times/minimums may apply

SPECIFY MOUNT FLUID WHEN ORDERING

SPECIFICATIONS - 701DDS-T PVDF CASE/PTFE SEAL

Dial Size	2 1/2" (63 mm)
Case	Injection molded PVDF, dry yet fillable
Wetted Parts:	
Diaphragm	PTFE
Lower Housing	PVDF
Bezel	Injection molded PVDF, removable
Lens	Polycarbonate
Pointer	Black aluminum
Scale	Standard: psi/BAR x 100 = kPa
Pressure	0/15 to 0/200 psi
Accuracy	2-1-2% of span, ASME B40.1 Grade A
Maximum Temp	-4° F to 140° F (-20° C to 60° C)
Internals(non-wetted)	316 stainless steel
Process Connection	1/4" FNPT or 1/2" FNPT
System Fill Fluid	Based on customer requirements

Design meets or exceeds ASME B40.100 pressure gauge standard.



AVAILABLE OPTIONS*

- Liquid Fill Options, see page 173

*Lead times/minimums may apply

SPECIFY MOUNT FLUID WHEN ORDERING

DIAPHRAGM SEAL FILL FLUID SPECIFICATIONS



PIC Gauges offers a wide variety of fill fluids appropriate for numerous applications. When selecting fill fluids, consideration must be given to the following:

1. Below specifications are for fill fluid only. Maximum temperature ratings of instruments must be taken into consideration in conjunction with selection of fill fluid.
2. Physical properties of the fill fluid at the ambient and process temperature extremes of the application.
3. Chemical compatibility with the process fluid to avoid potentially hazardous reactions in the event of a bourdon tube or diaphragm failure.
4. For food processing applications, the fill fluid selected must be nontoxic.
5. For strong oxidizers, like oxygen, chlorine, hydrogen peroxide or nitric acid, use inert fill fluids, including Fluorolube FS-5[®] and Halocarbon[®]. DO NOT USE hydrocarbon based fluids, such as glycerine and silicone, as doing so may result in an explosive chemical reaction.



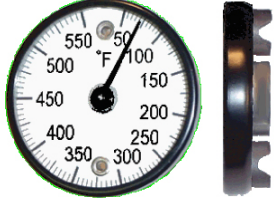


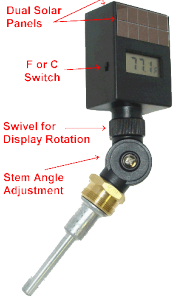
*Selection of fill fluid should only be made by customer taking into account all relevant details.

FILL FLUID	TEMP RANGE	SPECIFIC GRAVITY AT TEMPERATURE		VISCOSITY AT TEMPERATURE	
Glycerine 99.5%	30° to 300° F	1.26	77° F	1110 cSt	68° F
Silicone DC-200 1000 cSt	-50° to 450° F	0.96	77° F	1000cSt	76° F
Mineral Oil	-30° to 200° F	0.85	59° F	57 cSt	68° F
Propylene Glycol (pharmaceutical USP)	-50° to 200° F	1.03	77° F	42.6 cSt	76° F
Halocarbon Oil ^{®1}	-40° to 400° F	1.87	100° F	6.3 cSt	76° F
Fluorolube FS-5 ^{®1}	-40° to 500° F	1.87	100° F	5.5 cSt	76° F
Syltherm 800 [®]	-40° to 750° F	0.93	77° F	10.7 cSt	76° F
Neobee M-20 [®]	-4° to 320° F	0.92	77° F	9.5 cP	76° F
Ethylene Glycol (Anti-freeze)	-30° to 300° F	1.10	80° F	30e	76° F

FILL FLUID	APPLICATION	PART NUMBER
Glycerine 99.5%	Standard including Food & Beverage	MOUNT-GLY
Silicone DC-200 1000 cSt	Low Temperature	MOUNT-SIL
Mineral Oil	Food & Beverage	MOUNT-MINERAL
Propylene Glycol (pharmaceutical USP)	Low Temperature	MOUNT-PROPYL
Halocarbon Oil ^{®1}	Oxygen & Chlorine Service	MOUNT-HALO
Fluorolube FS-5 ^{®1}	Oxygen & Chlorine Service	MOUNT-FLUOR
Syltherm 800 [®]	High Temperature	MOUNT-SYL
Neobee M-20 [®]	Food & Beverage	MOUNT-NEOBEE M-20
Ethylene Glycol (Anti-freeze)	Low Temperature	MOUNT-GLYCOL

NOTE 1: Not to be used in contact with aluminum or magnesium.

Thermometers are used to measure temperature. PIC Gauges stocks a variety of temperature measuring instruments, including bimetals, magnetic thermometers, tridicators and scale thermometers.

			
<p>STANDARD BIMETAL 90° back angle type available in 2", 3" and 5" dials</p>	<p>BIMETAL ADJUSTABLE ANGLE Every angle thermometer available in 3" and 5" dials</p>	<p>VARIOUS BIMETALS Pocket style, clip style, hot water thermometer</p>	<p>SURFACE Dual magnet mount surface thermometer or spring held for pipe mount</p>
			
<p>BARBEQUE 3" dial BBQ pit thermometer reads 50-550° F</p>	<p>THERMOWELLS Various sizes, connections and materials</p>	<p>INDUSTRIAL TRIDICATORS Indicate both temperature and pressure</p>	<p>HEAVY DUTY TRIDICATORS Indicate both temperature and pressure</p>
			
<p>REMOTE DIAL THERMOMETER Vapor & gas actuated for direct, surface or panel mounting</p>	<p>9" SCALE Adjustable angle available in a variety of stem lengths</p>	<p>SOLAR DIGITAL Powered with bi-directional solar panels</p>	<p>5" SCALE Red liquid filled (no mercury) white painted steel scale</p>

BIMETAL THERMOMETERS



Considerations when selecting bimetal thermometers

A thermometer is an instrument manufactured to measure and display the temperature of a specific application or process medium. A bimetal thermometer uses a bimetallic sensing element, which reacts measurably and consistently with temperature change.

The sensing element is made of two different metals welded together in the form of a coil and enclosed in a stainless steel stem. The coil is connected to a dial pointer on the instrument face. When the stem is exposed to temperature change, the coil expands or contracts and the pointer moves accordingly, providing a temperature reading. While the American standard unit for measuring temperature is degrees Fahrenheit, PIC Gauges thermometers typically display both Fahrenheit and Celsius scales.

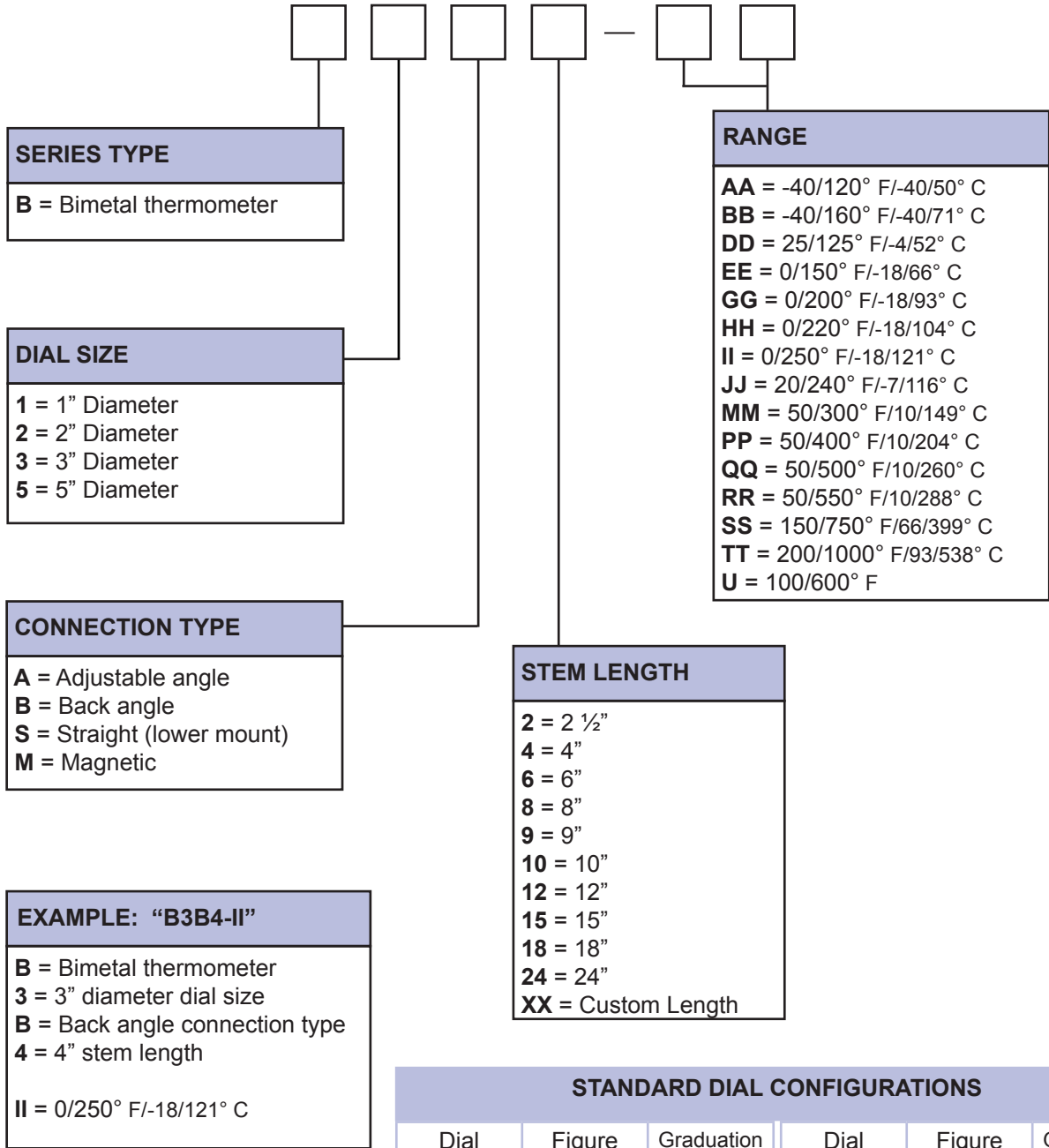


DIAL	PIC Gauges offers a variety of dial sizes including 1", 2", 3" and 5" diameters. For 2" through 5" sizes, dials come with anti-parallax design, providing improved readability.
CONNECTION SIZE	Typical connection sizes include 1/4" NPT and 1/2" NPT. Custom connection sizes are available upon request. Lead times may apply.
CONNECTION LOCATION	Fixed mount and adjustable angle connections are available from stock. Straight (lower mount) connections are also available upon request.
CASE CONSTRUCTION	Constructed of 300 series stainless steel, PIC Gauges thermometers feature a hermetic seal, which prevents both damage to internal parts caused by moisture as well as lens fogging.
ACCURACY	PIC Gauges thermometers are manufactured to ASME B40.1 Grade A standards and, as such, offer 1% full scale accuracy.
TEMPERATURE RANGE	Standard ranges have been selected to include all normal temperature measurement requirements.
THERMOWELLS	Thermowells are recommended for all applications.

NOTE: The above information is for reference only and is not a comprehensive guide. Please contact your PIC Gauges representative with any questions.



BIMETAL THERMOMETER PART NUMBERING SYSTEM



STANDARD DIAL CONFIGURATIONS					
Dial Range	Figure Intervals	Graduation Intervals	Dial Range	Figure Intervals	Graduation Intervals
-40/120° F	20° F	2° F	50/300° F	50° F	2° F
-40/160° F	20° F	2° F	50/400° F	50° F	5° F
25/125° F	10° F	1° F	50/500° F	50° F	5° F
0/150° F	20° F	2° F	50/550° F	50° F	5° F
0/200° F	20° F	2° F	150/750° F	100° F	10° F
0/220° F	20° F	2° F	200/1000° F	100° F	10° F
0/250° F	20° F	2° F	100/600° F	50° F	5° F
20/240° F	20° F	2° F			

NOTE: Not all part numbers or options are available from stock. Consult PIC Gauges for availability.

BIMETAL THERMOMETERS FIXED BACK MOUNT (90°)



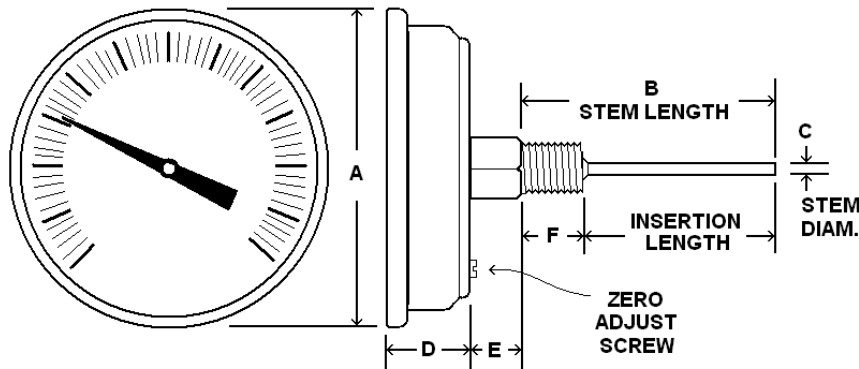
Dial type bimetal thermometer

Features anti-vibration design, anti-parallax dial, hermetically sealed case

SPECIFICATIONS

Dial	2" (50 mm), 3" (76 mm), 5" (130 mm) Anti-parallax dial design
Case	Stainless steel, hermetically sealed
Stem	316 stainless steel, welded to connection
Lens	Glass
Pointer	Black aluminum
Connection	Back mount (90°), fixed 1/4" NPT on 2", 1/2" NPT on 3" & 5"
Scale	Standard: dual scale F & C
Accuracy	1% full scale per Grade A, ASME B40.3
Ambient Temp*	-30° F to 180° F
External Adjustment	Zero reset screw on 3" & 5" dial

Design meets or exceeds ASME B40.3 thermometer standard.



AVAILABLE OPTIONS*

- Certificate of Accuracy, NIST traceable
- Custom Dial
- Special Connection Size
- Single Scale
- Special Ranges
- Custom Lens Material

*Lead times/minimums may apply

APPROXIMATE SHIPPING WEIGHTS/ BOX QUANTITIES

Dial	Unit	A	B	C	D	E	F
2"	In.	2.30"	Stem Length	0.25"	0.51"	0.39"	1/4" or 1/2" NPT
	mm	58.4	Stem Length	6.45	12.9	10	
3"	In.	3.26"	Stem Length	0.25"	0.80"	0.43"	1/2" NPT
	mm	83	Stem Length	6.45	20	11	
5"	In.	5.28"	Stem Length	0.25"	0.82"	0.43"	1/2" NPT
	mm	134	Stem Length	6.45	22	11	

Dial Size	Est. Unit Weight	Box Qty
2"	0.20 lbs (0.10 kg)	upon request
3"	0.65 lbs (0.28 kg)	upon request
5"	1.15 lbs (0.52 kg)	upon request

*NOTE: High or low ambient temperatures may have adverse effect on accuracy. Consult PIC Gauges for instrument selection.



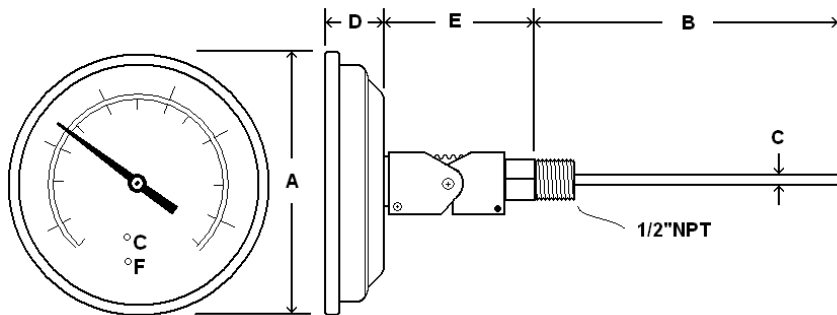
BIMETAL THERMOMETERS ADJUSTABLE ANGLE TYPE

Every angle adjustable type thermometer
Features anti-vibration design, anti-parallax dial and hermetically sealed

SPECIFICATIONS

Dial	3" (76 mm), 5" (130 mm) Anti-parallax dial design
Case	Stainless steel, hermetically sealed
Stem	316 stainless steel welded to connection
Lens	Glass
Pointer	Black aluminum
Connection	Adjustable angle 1/2" NPT on 3" & 5"
Scale	Standard: dual scale F & C
Accuracy	1% full scale per Grade A, ASME B40.3
Ambient Temp*	-30° F to 180° F
External Adjustment	Zero reset screw on 3" & 5" dial

Design meets or exceeds ASME B40.3 thermometer standard.



AVAILABLE OPTIONS*

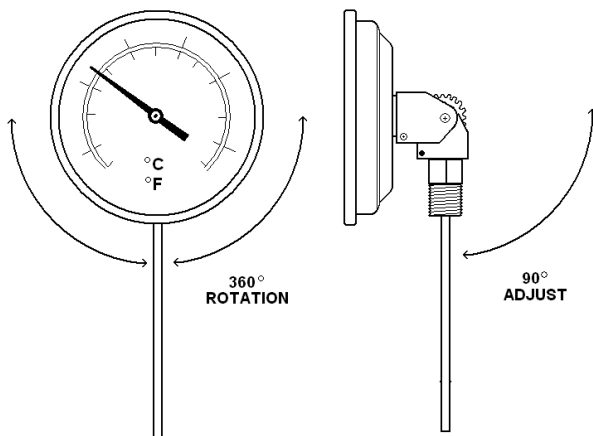
- Certificate of Accuracy, NIST traceable
- Custom Dial
- Special Connection Size
- Single Scale
- Special Ranges
- Custom Lens Material

Dial	Unit	A	B	C	D	E	F
3"	In.	3.27"	Stem Length	0.25"	0.82"	2.45"	1/2" NPT
	mm	83	Stem Length	6.45	21	62	
5"	In.	5.28"	Stem Length	0.25"	0.82"	2.45"	1/2" NPT
	mm	134	Stem Length	6.45	21	62	

*Lead times/minimums may apply

APPROXIMATE SHIPPING WEIGHTS/ BOX QUANTITIES

Dial Size	Est. Unit Weight	Box Qty
3"	1.00 lbs (0.40 kg)	upon request
5"	1.40 lbs (0.60 kg)	upon request



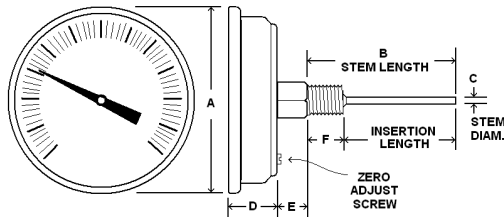
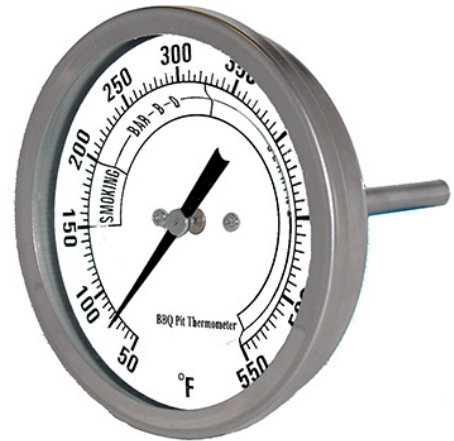
*NOTE: High or low ambient temperatures may have adverse effect on accuracy. Consult PIC Gauges for instrument selection.

Miscellaneous bimetals designed for specific applications

SPECIFICATIONS - BARBEQUE GRILL THERMOMETER (BBQ-1)

Dial Size	3" (76 mm)
	Anti-parallax dial
Case	All stainless steel construction
Stem Length	2 ½", 316 stainless welded at connection
Connection	½" NPT
Lens	Heavy duty glass
Pointer	Black aluminum
Scale	Standard: single scale F
Temperature Range	50/550° F
Accuracy	1% full scale
External Adjustment	Zero reset screw on case back

Design meets or exceeds ASME B40.3 thermometer standard.



Part Number	Dial	Unit	A	B	C	D	E	F
BBQ-1	3"	In.	3.28"	2.5"	0.25"	0.82"	0.43"	½"
		mm	83	63	7	21	11	NPT

AVAILABLE OPTIONS*

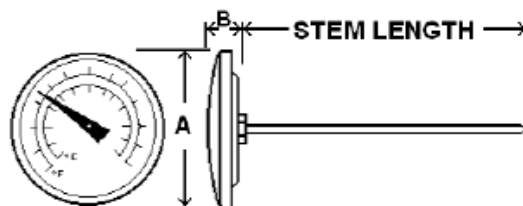
- Other stem lengths available upon request

*Lead times/minimums may apply

SPECIFICATIONS - 1" DIAL SIZE POCKET THERMOMETER (B1B5)

Dial Size	1" (25.4 mm)
Case	All stainless steel with plastic sleeve clip case
Stem Length	5"
Stem Construction	1/8" diameter pointed plain stem (non-threaded)
Lens	Magnifying plastic
Pointer	Red aluminum
Scale	Standard: single scale °F
Temperature Range	-40/160° to 50/550° F
Accuracy	+/- 1.5% full scale

Design meets or exceeds ASME B40.3 thermometer standard.



Part Number	Range
B1B5-B	-40/160°F
B1B5-D	25/125°F
B1B5-H	0/220°F
B1B5-R	50/550°F

Dial	Unit	A	B
1"	In.	1.03"	0.51"
	mm	26	13

AVAILABLE OPTIONS*

- Other stem lengths available upon request
- 2" dial size available upon request
- Digital version available

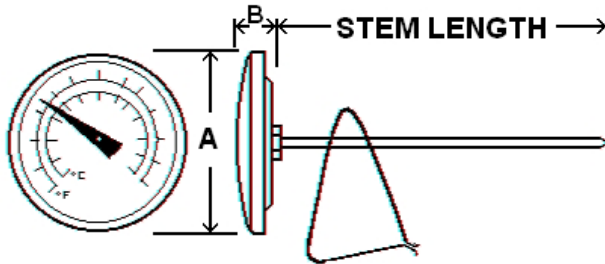
*Lead times/minimums may apply

Miscellaneous bimetals designed for specific applications

SPECIFICATIONS - 2" CLIP STYLE THERMOMETER

Dial Size	2" (50 mm)
Case	All stainless steel with stainless steel clip
Stem Length	6", 8", 12"
Lens	Plastic
Pointer	Black aluminum
Scale	Standard: single scale F
Temperature Range	50/550° F
Accuracy	+/-1.5% full scale
Part Number	B2BX-R-CLIP

Design meets or exceeds ASME B40.3 thermometer standard.



AVAILABLE OPTIONS*

- Other stem lengths available upon request

Part Number	Stem Length
B2B6-R-CLIP	6"
B2B8-R-CLIP	8"
B2B12-R-CLIP	12"

Dial	Unit	A	B
2"	In.	2.05"	0.41"
	mm	52	10.5

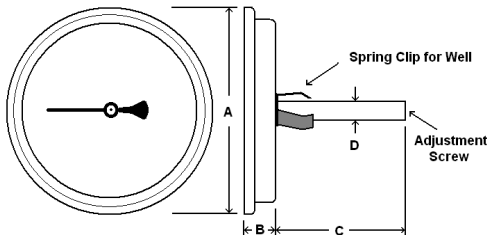
*Lead times/minimums may apply

SPECIFICATIONS - HOT WATER THERMOMETER (B2B1-K-XX)

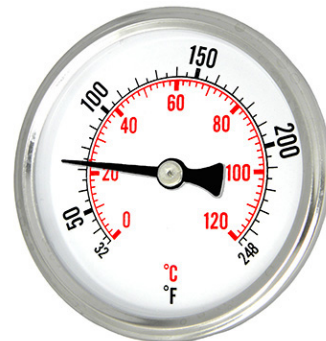
Dial Size	2 1/2" (63 mm)
Case	Steel
Stem Length	2" with Copper alloy thermowell or NPT
Bezel	Stainless steel
Lens	Plastic
Pointer	Black aluminum
Scale	Standard: dual scale F & C
Temperature Range	32/248° F & C
Accuracy	+/- 2% full scale
Thermowell (included)	1/2" NPT Copper alloy threaded or solder type

Design meets or exceeds ASME B40.3 thermometer standard.

Part Numbers
 B2B1-K-SW = Solder well
 B2B1-K = 1/2" NPT



Dial	Unit	A	B	C	D
2"	In.	2.52"	0.45"	1.71"	0.32"
	mm	64	11	43	8



AVAILABLE OPTIONS*

- Other stem lengths available upon request
- Other temperature ranges

*Lead times/minimums may apply

SURFACE MOUNT THERMOMETERS

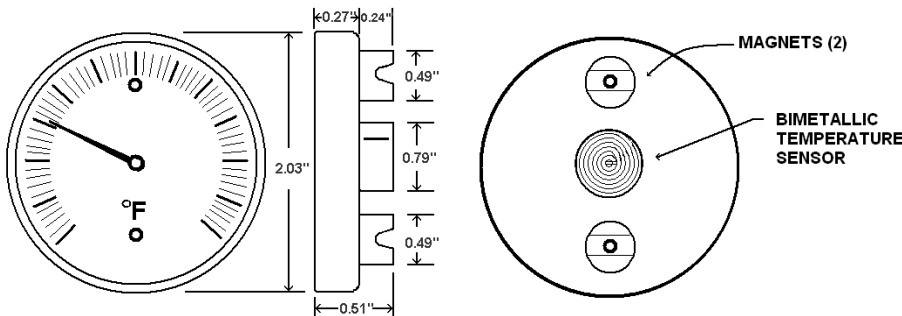
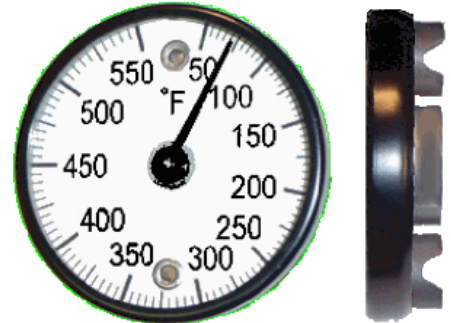


Miscellaneous bimetals designed for specific applications

SPECIFICATIONS - MAGNETIC THERMOMETER (B2MS)

- Dial Size** 2" (50 mm)
- Case** Black steel
- Bezel** Black steel
- Stem Length** Surface thermometer - no stem
- Lens** Glass
- Pointer** Black aluminum
- Scale** Standard: single scale F
- Temperature Range** -100/160° to 50/750° F
- Accuracy** +/-3%

Design meets or exceeds ASME B40.3 thermometer standard.



Part Number	Range	Part Number	Range
B2MS-A	-100/160°F	B2MS-Q	0/500°F
B2MS-E	0/150°F	B2MS-S	50/750°F
B2MS-I	0/250°F		

AVAILABLE OPTIONS*

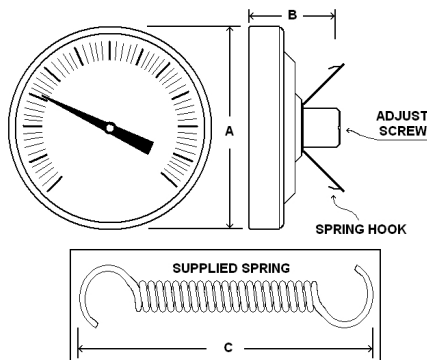
- Custom dials
- Custom temperature ranges

*Lead times/minimums may apply

SPECIFICATIONS - SURFACE THERMOMETER (B2SS)

- Dial Size** 2 1/2" (63 mm)
- Case** Stainless steel case
- Stem Length** Surface thermometer - no stem
Clamp on design with spring
- Lens** Glass
- Pointer** Black aluminum
- Scale** Standard: single scale F
- Temperature Range** -50/250° to 0/250° F
- Accuracy** +/-3%
- External Adjustment** Zero reset screw on stem

Design meets or exceeds ASME B40.3 thermometer standard.



Dial	Unit	A	B	C
2 1/2"	In.	2.50"	1.23"	2.74"
	mm	63	31	70

Part Number	Range
B2SS-A	-50/250°F
B2SS-E	0/150°F
B2SS-I	0/250°F

AVAILABLE OPTIONS*

- Custom dials
- Custom temperature ranges

*Lead times/minimums may apply

THERMOWELLS

PIC Gauges offers a complete line of thermowells, manufacturing all sizes, connections and materials, in addition to stocking the most commonly used types.



STANDARD WELLS



LAGGING WELLS



ANSI FLANGED



RTJ FLANGED



WELD-IN



SOCKET WELD



VAN STONE



TEST PORT

OPTIONS*

MATERIALS	PROCESS CONNECTIONS	SPECIAL APPLICATIONS
Brass	Threaded	High Pressure
Carbon Steel	Flanged	High Velocity
304 Stainless Steel	Welded	Sanitary
316 Stainless Steel	Clamped	Test Port
Monel®	Sanitary	
Hastelloy® C276	Van Stone	
Titanium		
Tantalum		
Ceramic		

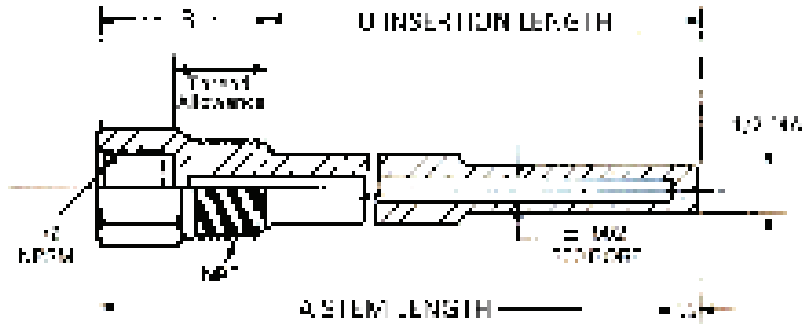
*Others available upon request.

THERMOWELLS



Standard part numbers for bimetal thermowells

Cap and chain available upon request.



1/2" NPT INSTRUMENT X 1/2" NPT PROCESS						
A	B	U	BRASS*	CARBON STEEL	304 STAINLESS	316 STAINLESS
2 1/2"	1 1/8"	1 5/8"	TW-BR02-22S2	TW-CS02-22S2	TW-ST02-22S2	TW-SS02-22S2
4"	1 3/4"	2 1/2"	TW-BR04-22S2	TW-CS04-22S2	TW-ST04-22S2	TW-SS04-22S2
6"	1 3/4"	4 1/2"	TW-BR06-22S2	TW-CS06-22S2	TW-ST06-22S2	TW-SS06-22S2
9"	1 3/4"	7 1/2"	TW-BR09-22S2	TW-CS09-22S2	TW-ST09-22S2	TW-SS09-22S2
12"	1 3/4"	10 1/2"	TW-BR12-22S2	TW-CS12-22S2	TW-ST12-22S2	TW-SS12-22S2

1/2" NPT INSTRUMENT X 3/4" NPT PROCESS						
A	B	U	BRASS*	CARBON STEEL	304 STAINLESS	316 STAINLESS
2 1/2"	1 1/8"	1 5/8"	TW-BR02-23S2	TW-CS02-23S2	TW-ST02-23S2	TW-SS02-23S2
4"	1 3/4"	2 1/2"	TW-BR04-23S2	TW-CS04-23S2	TW-ST04-23S2	TW-SS04-23S2
6"	1 3/4"	4 1/2"	TW-BR06-23S2	TW-CS06-23S2	TW-ST06-23S2	TW-SS06-23S2
9"	1 3/4"	7 1/2"	TW-BR09-23S2	TW-CS09-23S2	TW-ST09-23S2	TW-SS09-23S2
12"	1 3/4"	10 1/2"	TW-BR12-23S2	TW-CS12-23S2	TW-ST12-23S2	TW-SS12-23S2
15"	1 3/4"	13 1/2"	TW-BR15-23S2	TW-CS15-23S2	TW-ST15-23S2	TW-SS15-23S2
18"	1 3/4"	16 1/2"	TW-BR18-23S2	TW-CS18-23S2	TW-ST18-23S2	TW-SS18-23S2
24"	1 3/4"	22 1/2"	TW-BR24-23S2	TW-CS24-23S2	TW-ST24-23S2	TW-SS24-23S2

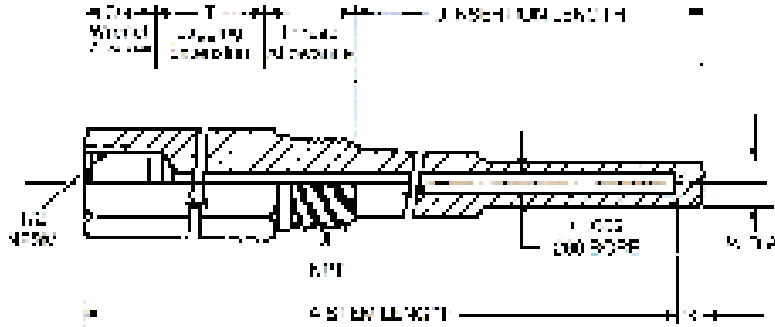
1/2" NPT INSTRUMENT X 1" NPT PROCESS						
A	B	U	BRASS*	CARBON STEEL	304 STAINLESS	316 STAINLESS
2 1/2"	1 1/8"	1 5/8"	TW-BR02-24S2	TW-CS02-24S2	TW-ST02-24S2	TW-SS02-24S2
4"	1 3/4"	2 1/2"	TW-BR04-24S2	TW-CS04-24S2	TW-ST04-24S2	TW-SS04-24S2
6"	1 3/4"	4 1/2"	TW-BR06-24S2	TW-CS06-24S2	TW-ST06-24S2	TW-SS06-24S2
9"	1 3/4"	7 1/2"	TW-BR09-24S2	TW-CS09-24S2	TW-ST09-24S2	TW-SS09-24S2
12"	1 3/4"	10 1/2"	TW-BR12-24S2	TW-CS12-24S2	TW-ST12-24S2	TW-SS12-24S2
15"	1 3/4"	13 1/2"	TW-BR15-24S2	TW-CS15-24S2	TW-ST15-24S2	TW-SS15-24S2
18"	1 3/4"	16 1/2"	TW-BR18-24S2	TW-CS18-24S2	TW-ST18-24S2	TW-SS18-24S2
24"	1 3/4"	22 1/2"	TW-BR24-24S2	TW-CS24-24S2	TW-ST24-24S2	TW-SS24-24S2

***NOTE:** Brass wells are not recommended for installations involving temperatures over 400° F.

NOTE: Not all part numbers or options are available from stock. Consult PIC Gauges for availability. Because of continuing improvements, specifications are subject to change without notice.

Part numbers for bimetal thermowells with lagging extensions

Cap and chain available upon request.



1/2" NPT INSTRUMENT X 1/2" NPT PROCESS						
A	U	T	BRASS*	CARBON STEEL	304 STAINLESS	316 STAINLESS
4"	1 5/8"	1"	TW-BR04-22L2	TW-CS04-22L2	TW-ST04-22L2	TW-SS04-22L2
6"	2 1/2"	2"	TW-BR06-22L2	TW-CS06-22L2	TW-ST06-22L2	TW-SS06-22L2
9"	4 1/2"	3"	TW-BR09-22L2	TW-CS09-22L2	TW-ST09-22L2	TW-SS09-22L2
12"	7 1/2"	3"	TW-BR12-22L2	TW-CS12-22L2	TW-ST12-22L2	TW-SS12-22L2

1/2" NPT INSTRUMENT X 3/4" NPT PROCESS						
A	U	T	BRASS*	CARBON STEEL	304 STAINLESS	316 STAINLESS
4"	1 5/8"	1"	TW-BR04-23L2	TW-CS04-23L2	TW-ST04-23L2	TW-SS04-23L2
6"	2 1/2"	2"	TW-BR06-23L2	TW-CS06-23L2	TW-ST06-23L2	TW-SS06-23L2
9"	4 1/2"	3"	TW-BR09-23L2	TW-CS09-23L2	TW-ST09-23L2	TW-SS09-23L2
12"	7 1/2"	3"	TW-BR12-23L2	TW-CS12-23L2	TW-ST12-23L2	TW-SS12-23L2
15"	10 1/2"	3"	TW-BR15-23L2	TW-CS15-23L2	TW-ST15-23L2	TW-SS15-23L2
18"	13 1/2"	3"	TW-BR18-23L2	TW-CS18-23L2	TW-ST18-23L2	TW-SS18-23L2
24"	19 1/2"	3"	TW-BR24-23L2	TW-CS24-23L2	TW-ST24-23L2	TW-SS24-23L2

1/2" NPT INSTRUMENT X 1" NPT PROCESS						
A	U	T	BRASS*	CARBON STEEL	304 STAINLESS	316 STAINLESS
4"	1 5/8"	1"	TW-BR04-24L2	TW-CS04-24L2	TW-ST04-24L2	TW-SS04-24L2
6"	2 1/2"	2"	TW-BR06-24L2	TW-CS06-24L2	TW-ST06-24L2	TW-SS06-24L2
9"	4 1/2"	3"	TW-BR09-24L2	TW-CS09-24L2	TW-ST09-24L2	TW-SS09-24L2
12"	7 1/2"	3"	TW-BR12-24L2	TW-CS12-24L2	TW-ST12-24L2	TW-SS12-24L2
15"	10 1/2"	3"	TW-BR15-24L2	TW-CS15-24L2	TW-ST15-24L2	TW-SS15-24L2
18"	13 1/2"	3"	TW-BR18-24L2	TW-CS18-24L2	TW-ST18-24L2	TW-SS18-24L2
24"	19 1/2"	3"	TW-BR24-24L2	TW-CS24-24L2	TW-ST24-24L2	TW-SS24-24L2

9

*NOTE: Brass wells are not recommended for installations involving temperatures over 400° F.

NOTE: Not all part numbers or options are available from stock. Consult PIC Gauges for availability.

THERMOWELL PART NUMBERING SYSTEM



TW — [] [] — [] [] [] [] — [] [] . [] [] [] []

MATERIAL OF CONSTRUCTION
BR = Brass
CS = Carbon Steel
ST = 304 SS
SS = 316 SS
SL = 316 L SS
XX = Special

FLANGE TYPE
RF = Raised face
FF = Flat face
RJ = Ring type joint
VS = Van stone
SW = Socket weld

STEM LENGTH
 (Overall Thermowell Length - 1/4")
02 = 2 1/2"
04 = 4"
06 = 6"
09 = 9"
12 = 12"
XX = Special (specify length)

FLANGE PRESSURE RATING
0 = No Flange
1 = 150 psi
3 = 300 psi
6 = 600 psi
9 = 900 psi
5 = 1500 psi

INSTRUMENT CONNECTION
Female Thread
1 = 1/4" FNPT
2 = 1/2" FNPT
X = Special (specify thread size)

INSERTION (U DIMENSION)
04.5 = 4 1/2"
11.5 = 11 1/2"
20.5 = 20 1/2"

PROCESS CONNECTION
2 = 1/2"
3 = 3/4"
4 = 1"
5 = 1 1/4"
6 = 1 1/2"
7 = 2"
8 = 2 1/2"
9 = 3"
X = Special (specify thread size)

BORE DIAMETER
2 = 0.260"
3 = 0.385"
5 = 0.500"

STYLE
S = Stepped (standard)
E = Straight
L = Lagging
T = Tapered

EXAMPLE: "TW-SS12-26T2-10.03RF"
TW = Thermowell
SS = 316 SS
12 = 12" stem
2 = 1/2" FNPT instrument connection
6 = 1 1/2" process connection
T = Tapered
2 = 0.260" Bore Diameter
10.0 = 10" insertion
3 = 300 psi flange rating
RF = Raised face flange

NOTE: Not all part numbers or options are available from stock. Consult PIC Gauges for availability.



THERMOWELL TECHNICAL DATA

PRESSURE - TEMPERATURE RATING - PSI							
Material	Temperature - °F						
	70°	200°	400°	600°	800°	1000°	1200°
Brass	5000	4200	1000	-	-	-	-
Carbon Steel	5200	5000	4800	4600	3500	1500	-
304SS	7000	6200	5600	5400	5200	4500	1650
316SS	7000	7000	6400	6200	6100	5100	2500
Monel®	6500	6000	5400	5300	5200	1500	-

MAXIMUM FLUID VELOCITY - FEET PER SECOND									
Well Type	Material	Insertion Length - "U"							
		2 1/2"	4 1/2"	7 1/2"	10 1/2"	13 1/2"	16 1/2"	19 1/2"	22 1/2"
1/2" Standard and Lagging	Brass	207	75.5	27.3	13.9	8.4	5.6	4.1	3
		(59.3)	(32.2)	(19.7)					
	Carbon Steel	290	105	38	19.4	11.8	7.8	5.7	4.2
		(106)	(59)	(36.3)					
	304SS/316SS	300	109	39.5	20.1	12.2	8.1	5.9	4.4
		(148)	(82.2)						
Monel®	261	95	34.4	17.5	10.5	7.1	5.2	3.8	
	(118)	(65.5)							
3/4" Standard and Lagging	Brass	207	89.1	32.2	16.4	9.9	6.6	4.8	3.6
		(59.3)	(39.8)	(23.9)					
	Carbon Steel	290	123	44.9	22.8	13.8	9.3	6.7	4.9
		(106)	(71.2)	(42.7)					
	304SS/316SS	300	128	46.4	23.6	14.3	9.6	6.9	5.1
		(148)	(99.3)						
Monel®	261	112	40.6	20.7	12.4	8.3	6.1	4.5	
	(118)	(79.8)							
1" Standard and Lagging	Brass	207	102	37	18.8	11.4	7.6	5.5	4.1
		(59.3)	(47.6)	(28)					
	Carbon Steel	290	143	51.6	26.2	15.9	10.6	7.6	5.7
		(106)	(84.3)	(50.6)					
	304SS/316SS	300	148	53.5	27.2	16.5	11	7.9	5.9
		(148)	(117)						
Monel®	261	128	46.7	23.7	14.4	9.5	6.9	5.1	
	(118)	(93.3)							

NOTE: Values listed above are for steam, air, gas and similar density. Values shown in parentheses are for water flow only.

NOTE: PIC Gauges' data on thermowell performance is based on industry standards in common use by design engineers and other manufacturers. PIC Gauges is not responsible for errors resulting from omission, transmission, transposition, printing or interpretation of such data.

REMOTE DIAL & GAS ACTUATED THERMOMETERS



Miscellaneous thermometers designed for specific applications

SPECIFICATIONS - REMOTE DIAL VAPOR THERMOMETER

Dial Size	3 1/2" (88.9 mm)
Case	Stainless steel
Capillary Length	5 feet
Lens	Polycarbonate
Pointer	Black aluminum
Scale	Standard: dual scale °F & °C
Temperature Range	Custom, Stock - see chart below
Accuracy	1% full scale
Box Quantity	30 pieces
Bulb	3" stainless steel plain bulb



Stock Part Numbers	Range	Mounting
V35WFF-180	0/180°F	Front Flange
V35WFF-250	0/250°F	Front Flange
V35UCC-240	30/240°F	U-Clamp
V35WFF-300	0/300°F	Front Flange
V35WFF-550	50/550°F	Front Flange

CUSTOM ORDER ITEM

Contact PIC Gauges for available options, part numbers, and applicable lead times

AVAILABLE OPTIONS*

- Other capillary lengths available upon request
- Other ranges available upon request
- Other dial sizes available upon request

*Lead times/minimums may apply

SPECIFICATIONS - GAS ACTUATED THERMOMETER

Dial Size	4 1/2" (125 mm), 6" (150 mm)
Case	Phenolic
Capillary Length	Custom
Lens	Plastic
Pointer	Black aluminum, slotted adjustable
Scale	Standard: dual scale °F & °C
Temperature Range	Custom
Accuracy	1% full scale
Bulb	6" stainless steel with 1/2" NPT bushing



CUSTOM ORDER ITEM

Contact PIC Gauges for available options, part numbers, and applicable lead times

AVAILABLE OPTIONS*

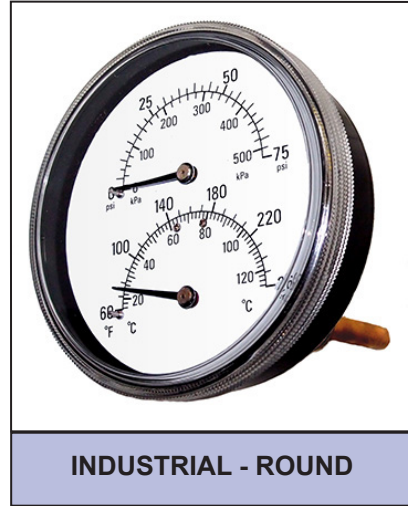
- Other stem lengths available upon request

*Lead times/minimums may apply

Measure pressure and temperature in one instrument
Available in various sizes and configurations



3" TRIDICATOR



INDUSTRIAL - ROUND



INDUSTRIAL - SQUARE



HEAVY DUTY

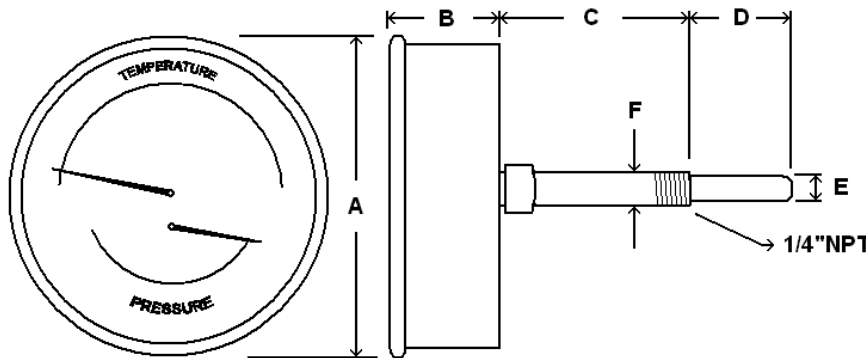
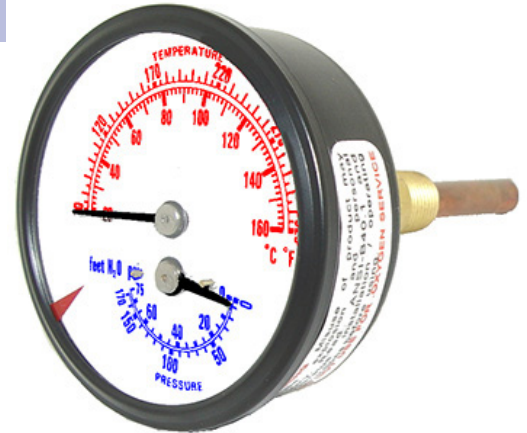
2 1/2" TRIDICATORS



Dual reading pressure and temperature instrument
High quality, economical design for use in commercial and industrial boiler applications

SPECIFICATIONS

Dial	2 1/2" (63 mm)
Case	Black painted steel, dry non-fillable
Stem	1.75", 2.95" or 3.63", copper alloy
Lens	Plastic with red indicator
Pointer	Black aluminum
Connection	Center back mount 1/4" NPT, copper alloy
Scale	Pressure: dual scale psi & ft of water column Temperature: dual scale F & C
Temperature Range	70/320° F & 20/160° C
Accuracy	3-2-3% full scale per Grade B, ASME B40.1
Ambient Temp*	-30° F to 180° F



AVAILABLE OPTIONS*

- Custom Dial
- Special Connection Size
- Single Scale
- Special Ranges
- Custom Lens Material
- Custom Stem Length
- Custom Lagging Dimension
- Stainless Steel Wetted Parts

Dial	Unit	Stem Length	A	B	C	D	E	F
2 1/2"	In.	1.75"	2.64"	1.02"	0.77"	0.96"	0.31"	0.54"
	mm	44.5	67	26	20	25	8	13.6
2 1/2"	In.	2.95"	2.64"	1.02"	2.00"	0.96"	0.31"	0.54"
	mm	75	67	26	51	25	8	13.6
2 1/2"	In.	3.63"	2.64"	1.02"	2.00"	1.60"	0.31"	0.54"
	mm	92.2	67	26	51	41	8	13.6

*Lead times/minimums may apply

APPROXIMATE SHIPPING WEIGHTS/ BOX QUANTITIES

Stem Length	Est. Unit Weight	Box Qty
1.75"	0.30 lbs (0.14 kg)	100
2.95"	0.35 lbs (0.16 kg)	50
3.63"	0.35 lbs (0.16 kg)	50

PART NUMBER	DIAL SIZE	PRESSURE		TEMPERATURE	
		psi	Ft of Water	F	C
TRI-RC-254Rx.xx-D	2 1/2"	0/75	0/170	70-320°	20-160°
TRI-RC-254Rx.xx-G	2 1/2"	0/200	0/460	70-320°	20-160°

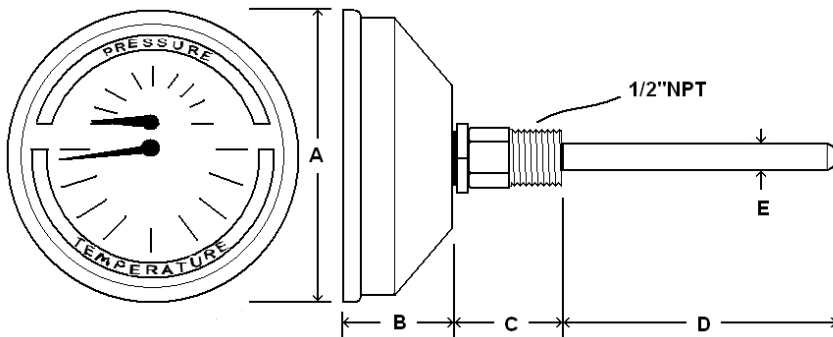
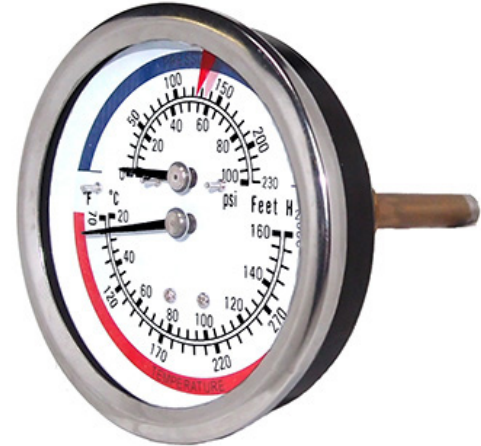
Other ranges available upon request.

*NOTE: High or low ambient temperatures may have adverse effect on accuracy. Consult PIC Gauges for instrument selection.

Dual reading pressure and temperature instrument
High quality, economical design for use in commercial and industrial boiler applications

SPECIFICATIONS

Dial	3 1/4" (83 mm)
Case	Black painted steel, dry non-fillable
Stem	3", copper alloy
Lens	Plastic with red indicator
Pointer	Black aluminum
Connection	Center back mount 1/2" NPT, copper alloy
Scale	Pressure: dual scale psi & ft of water column Temperature: dual scale °F & °C
Temperature Range	70/320° F & 20/160° C
Accuracy	3-2-3% full scale per Grade B, ASME B40.1
Ambient Temp*	-30° F to 180° F



AVAILABLE OPTIONS*

- Custom Dial
- Special Connection Size
- Single Scale
- Special Ranges
- Custom Lens Material
- Custom Stem Length
- Custom Lagging Dimension
- 316 Stainless Steel Wetted Parts

*Lead times may apply

Dial	Unit	A	B	C	D	E
3 1/4"	In.	3.31"	1.23"	1.36"	2.23"	0.36"
	mm	84	31	34.4	57	9.3

APPROXIMATE SHIPPING WEIGHTS/ BOX QUANTITIES

Dial Size	Est. Unit Weight	Box Qty
3 1/4"	0.55 lbs (0.26 kg)	50

PART NUMBER	DIAL SIZE	PRESSURE		TEMPERATURE	
		psi	Ft of Water	F	C
TRI-RC-3.25R-3.00-D	3 1/4"	0/75	0/170	70-320°	20-160°
TRI-RC-3.25R-3.00-E	3 1/4"	0/100	0/230	70-320°	20-160°
TRI-RC-3.25R-3.00-G	3 1/4"	0/200	0/450	70-320°	20-160°
TRI-RC-3.25R-3.00-H	3 1/4"	0/300	0/700	70-320°	20-160°

*NOTE: High or low ambient temperatures may have adverse effect on accuracy. Consult PIC Gauges for instrument selection.

4" INDUSTRIAL TRIDICATORS

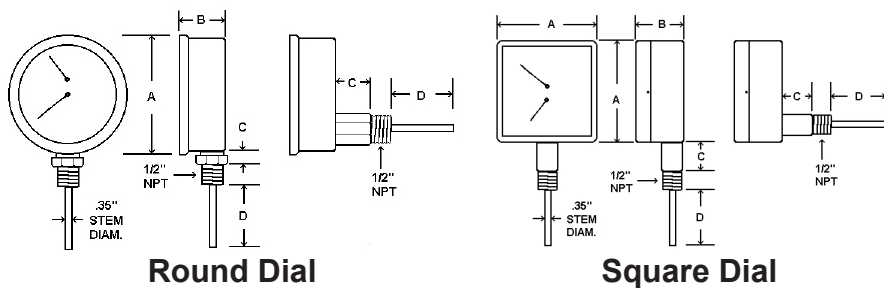


Dual reading pressure and temperature instrument

High quality, economical design for use in commercial and industrial boiler applications

SPECIFICATIONS

Dial	4" (101 mm)
Case	Painted steel, dry non-fillable
Stem	2", copper alloy
Lens	Round: plastic Square: glass
Pointer	Black aluminum
Connection	Lower mount, lower back mount 1/2" NPT, copper alloy
Scale	Pressure: dual scale psi & kPa Temperature: dual scale °F & °C
Temperature Range	70/320° F & 20/160° C
Accuracy	1% full scale per Grade 1A, ASME B40.1
Ambient Temp*	-30° F to 180° F



AVAILABLE OPTIONS*

- Custom Dial
- Special Connection Size
- Single Scale
- Special Ranges
- Custom Lens Material
- Custom Stem Lengths

Dial	Unit	A	B	C	D
Round	In.	4.23"	1.45"	0.51"	2.12"
	mm	107	37	13	54
Square	In.	3.65"	1.47"	0.83"	2.00"
	mm	93	37	21	51

*Lead times/minimums may apply

PART NUMBER	PRESSURE	TEMPERATURE	CONNECTION	DIAL
TRI-RC-402L-D	0/75 psi	60-260° F	lower	round
TRI-RC-402L-G	0/200 psi	70-320° F	lower	round
TRI-RC-402L-H	0/300 psi	60-260° F	lower	round
TRI-RC-402R-D	0/75 psi	60-260° F	back	round
TRI-RC-402R-G	0/200 psi	70-320° F	back	round
TRI-SQ-402L-D	0/75 psi	60-260° F	lower	square
TRI-SQ-402L-E	0/100 psi	60-260° F	lower	square
TRI-SQ-402L-G	0/200 psi	80-320° F	lower	square
TRI-SQ-402R-D	0/75 psi	60-260° F	back	square
TRI-SQ-402R-E	0/100 psi	60-260° F	back	square
TRI-SQ-402R-G	0/200 psi	80-320° F	back	square
TRI-SQ-402R-H	0/300 psi	80-320° F	back	square

APPROXIMATE SHIPPING WEIGHTS/ BOX QUANTITIES

Dial Size	Est. Unit Weight	Box Qty
Round	0.95 lbs (0.40 kg)	50
Square	0.95 lbs (0.44 kg)	50

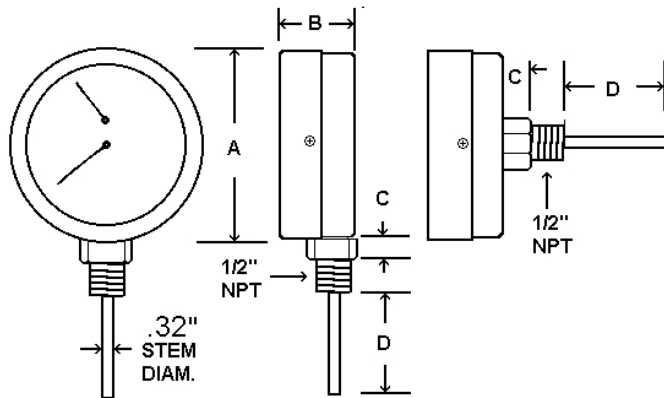
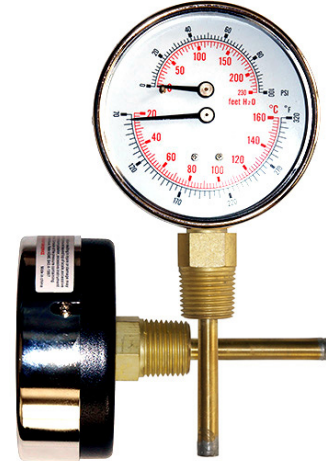
*NOTE: High or low ambient temperatures may have adverse effect on accuracy. Consult PIC Gauges for instrument selection.

3" HEAVY DUTY TRIDICATORS

Dual reading pressure and temperature instrument
 High quality, economical design for use in commercial and industrial boiler applications

SPECIFICATIONS

Dial	3" (76.2 mm)
Case	Heavy duty, dry non-fillable
Stem	2", copper alloy
Lens	Glass
Pointer	Black aluminum
Connection	Lower mount Center back mount 1/2" NPT, copper alloy
Scale	Pressure: dual scale psi & feet of water Temperature: dual scale °F & °C
Temperature Range	70/320° F & 20/160° C
Accuracy	3-2-3% full scale per Grade B, ASME B40.1
Ambient Temp*	-30° F to 180° F



Dial	Unit	A	B	C	D
3"	In.	3.21"	1.29"	0.32"	2.00"
	mm	81.5	33	8	51

AVAILABLE OPTIONS*

- Custom Dial
- Special Connection Size
- Single Scale
- Special Ranges
- Custom Lens Material
- 316 Stainless Steel Wetted Parts

*Lead times/minimums may apply

APPROXIMATE SHIPPING WEIGHTS/BOX QUANTITIES

Dial Size	Est. Unit Weight	Box Qty
3"	0.70 lbs (0.32 kg)	50

PART NUMBER	CONNECTION	DIAL SIZE	PRESSURE		TEMPERATURE	
			psi	Ft of Water	F	C
TRI-HD-302L-E	Lower	3"	0/100	0/230	70-320°	20-160°
TRI-HD-302L-G	Lower	3"	0/200	0/450	70-320°	20-160°
TRI-HD-302R-E	Center Back	3"	0/100	0/230	70-320°	20-160°
TRI-HD-302R-G	Center Back	3"	0/200	0/450	70-320°	20-160°

*NOTE: High or low ambient temperatures may have adverse effect on accuracy. Consult PIC Gauges for instrument selection.

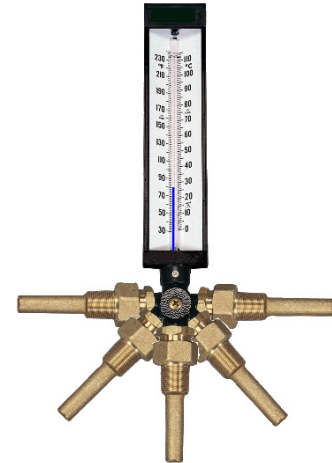
INDUSTRIAL THERMOMETER



Blue spirit filled adjustable angle thermometer for industrial applications

SPECIFICATIONS

Scale Size	7" (177.8 mm), 9" (228.6 mm)
Case	Black molded ABS for temps up to 200° F Black enamel die cast aluminum for ranges above 200° F
Stem	3 1/2", 6", 9", 12", copper alloy
Lens	Glass
Indicator	Blue spirit
Connection	Lower mount, adjustable angle 1 1/4" -18" NEF thread
Scale	Dual scale °F & °C
Temperature Range	0-120° F, 30-240° F, Others available from stock
Accuracy	1% scale division per Grade A, ASME B40.3

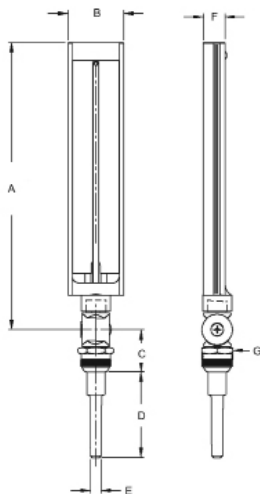


SCALE SIZE	PART NUMBERS STEM LENGTHS			
	3 1/2"	6"	9"	12"
7"	AS5H7	AS5L7	N/A	N/A
9"	AS5H9	AS5L9	AS5N9	AS5Q9

AVAILABLE OPTIONS*

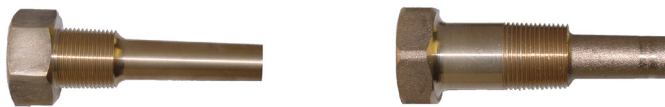
- Straight connection
- 90° back angle connection
- Plastic face at additional charge
- Thermowells
- Cap and Lanyard
- Aluminum Case

*Lead times/minimums may apply



Scale	Unit	A	B	C	D
7"	In.	9.79"	2.41"	1.67"	Stem
	mm	249	62	43	Stem
Scale	Unit	E	F	G	
7"	In.	0.44"	1.06"	1.25"	
	mm	11	27	32	

Scale	Unit	A	B	C	D
9"	In.	11.7"	2.41"	1.67"	Stem
	mm	297	62	43	Stem
Scale	Unit	E	F	G	
9"	In.	0.44"	1.06"	1.25"	
	mm	11	27	32	



INDUSTRIAL THERMOWELL PART NUMBERS

Stem	Process Connection	Type	Brass	304 SS	316 SS
3 1/2"	3/4" NPT	Standard	TWB-35	T6E3D2	T4E3D2
		Lagging	TWB-35-LAG	T6E3D2B	T4E3D2B
6"	3/4" NPT	Standard	T1M3D2	T6M3D2	T4M3D2
		Lagging	T1M3D2E	T6M3D2E	T4M3D2E

APPROXIMATE SHIPPING WEIGHTS/ BOX QUANTITIES

Part Number	Est. Unit Weight	Box Qty
AS5H7	1.00 lbs (0.46 kg)	upon request
AS5L7	1.10 lbs (0.50 kg)	upon request
AS5H9	1.15 lbs (0.52 kg)	upon request
AS5L9	1.20 lbs (0.56 kg)	upon request
AS5N9	1.35 lbs (0.62 kg)	upon request
AS5Q9	1.55 lbs (0.70 kg)	upon request

Optional Cap and Lanyard



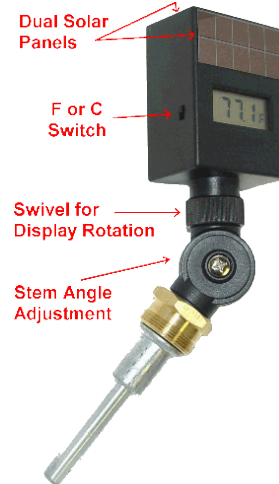


SOLAR DIGITAL INDUSTRIAL THERMOMETER

Digital adjustable angle thermometer for industrial applications

SPECIFICATIONS

Display	LCD black character, 1/2" high with gray background
Case	ABS black plastic
Stem	3 1/2" or 6", aluminum
Illuminance	Bi-directional solar collectors, 35 lux Dual solar panels provide better light pick up in low light conditions
Sensor	Glass passivated thermistor
Connection	Lower mount, swivel & adjustable angle 1 1/4" - 18 UNEF Copper alloy jam nut
Scale	Dual scale °F & °C
Temperature Range	-58/302° F or -50/150° C Switchable between °F and °C
Accuracy	Greater value of 1° or 1% of reading
Ambient Temp	-30° F to 140° F
Ambient Temp Error	None
Time Update	Six times per minute
Resolution	0.10° between -58/199.9° F (-50/93° C)
Recalibration	Internal potentiometer
Maximum Humidity	100%



AVAILABLE OPTIONS*

- Select 3 1/2" or 6" stem
- Thermowells, see page 169
- Cap and Lanyard, see page 169



Stem	Part Number	Unit	A	B	C	U
3 1/2"	AADHFC	In.	3.20"	7.56"	5.75"	2.50"
		mm	81.3	192	146	63.5
6"	AADLFC	In.	3.20"	10.06"	8.25"	5.00"
		mm	81.3	255.5	209.6	127

*Lead times/minimums may apply

APPROXIMATE SHIPPING WEIGHTS/ BOX QUANTITIES

Stem Length	Est. Unit Weight	Box Qty
3 1/2"	0.52 lbs/ (0.24 kg)	upon request
6"	1.00 lbs (0.45 kg)	upon request

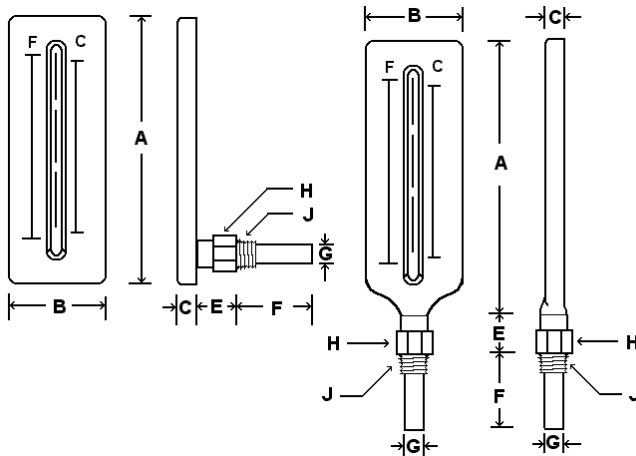
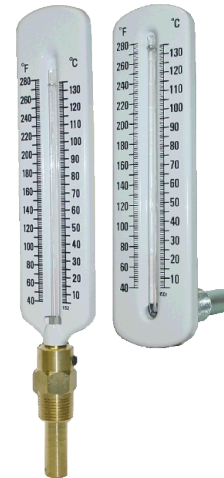
160 SERIES 5" SCALE THERMOMETER



Red spirit filled economy thermometer for commercial and industrial applications

SPECIFICATIONS

Scale Size	5" (127 mm) white painted steel with black markings
Stem	2.125", copper alloy
Well	Brass or steel - includes thermowell
Indicator	Red liquid filled - no mercury
Connection	Lower mount, lower back mount ½" NPT
Scale	Dual scale °F & °C
Temperature Range	40/280° F & 15/135° C
Accuracy	+/-1 scale division



Type	Unit	A	B	C	E
Bottom	In.	7.75"	1.81"	0.38"	1"
	mm	197	46	9.7	146
Back	In.	7.00"	1.81"	0.38"	0.88"
	mm	177.8	46	9.7	209.6

Type	Unit	F	G	H	J
Bottom	In.	2.13"	0.47"	0.88"	½"
	mm	54.1	11.9	22.4	NPT
Back	In.	2.13"	0.47"	0.88"	½"
	mm	54.1	11.9	22.4	NPT

PART NUMBER	CONNECTION	WELL
162F	Bottom	Brass
162FS	Bottom	Steel
163F	Back	Brass
163FS	Back	Steel

AVAILABLE OPTIONS*

- Lower mount or lower back mount

*Lead times/minimums may apply

APPROXIMATE SHIPPING WEIGHTS/ BOX QUANTITIES

Part Number	Est. Unit Weight	Box Qty
162F	0.65 lbs (0.28 kg)	upon request
163F	0.70 lbs (0.32 kg)	upon request

PRESSURE RANGE SELECTION

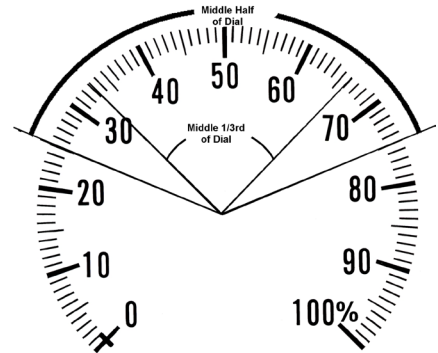
There are several factors that influence pressure range selection. The following excerpt from ASME B40.100 explains along what portion of the scale the gauge should typically operate.

ASME B40.100-2005

4.3.1 Operating Pressure. *The pressure gauge selected should have a full-scale pressure such that the operating pressure occurs in the middle half (25% to 75%) of the scale. The full-scale pressure of the gauge selected should be approximately two times the intended operating pressure.*

Should it be necessary for the operating pressure to exceed 75% of full scale, contact the supplier for recommendations.

This does not apply to test, retarded, or suppressed scale gauges.



Bourdon tube pressure gauges are designed and built to operate primarily in the middle third of the scale range so that when the gauge is mounted in a vertical and upright position, the pointer will be as close as possible to the 12 o'clock position when reading pressure at normal operating conditions.

Although the gauge will operate full scale, there are other considerations to take into account. If the gauge is primarily operating at the bottom of the scale (near zero), the accuracy or readability would be improved by using a more appropriately applied lower range pressure gauge. (See ASME B40.1-2005) If, on the other hand, the gauge is operating at the top of the scale (near the maximum pressure range of the gauge), the life span of the gauge may be decreased, particularly if the gauge encounters high cycling, temperature extremes and/or excessive vibration.

- A bourdon tube is a curved and hardened or formed piece of metal designed to move a certain amount based on the amount of force applied, then, return to its original shape when at rest, just like a spring. As with any spring, the bourdon tube will fail after extended use. This failure could be as simple as a loss of accuracy, failure to return to zero, or a release of the pressurized medium into the case of the gauge or atmosphere. Note: Extended use could be time in service, number of pressure cycles and extent of the pressure cycle. The larger the number of applied pressure cycles and the greater the extent of the pressure cycle, the earlier the failure will occur.
- Bourdon tubes are by design highly stressed, especially in ranges over 1000 psi. Continuous operation at full scale will result in early fatigue failure and subsequent rupture.
- Continuous, rapid pointer motion will result in excessive wear of the internal mechanism and cause gross errors in accuracy, the pressure indicated and, also, possible early fatigue failure of the bourdon tube. If the pointer motion is due to pressure pulsations, a suitable dampener should be used between the pressure source and the gauge.

To choose the best range for your application, the following factors must be considered:

- A. The normal operating pressure or average system pressure.
- B. System pressure limits (both maximum and minimum).
- C. Primary concern between readability, accuracy and/or durability.

See ASME B40.1 for additional details.

LIQUID FILLING/VENTING SEALED GAUGES



LIQUID FILLED GAUGE ADVANTAGES	GLYCERINE																
<ul style="list-style-type: none"> In applications with vibration or pulsation, liquid filling enables reading the dial pointer by dampening the movement. Liquid filling should be considered for any system with dynamic operating conditions because the liquid absorbs vibration and pressure spikes. In general, liquid filling helps extend the life of a gauge by reducing wear in the movement. Because gauges can be filled with different types of liquids, the degree of protection can be suited to process conditions. See fill fluid considerations below. Liquid filled gauges can add to the dependability and accuracy of the measuring system for long periods under extreme operating conditions. 	<ul style="list-style-type: none"> Glycerine is the standard fill fluid for most liquid filled gauges due to its unique fluid properties: <ul style="list-style-type: none"> Clarity Viscosity Stability Cost Solubility Low Toxicity Additionally, glycerine can be mixed with water to obtain different temperature ratings <table border="1" data-bbox="933 716 1430 968"> <thead> <tr> <th><u>% Glycerine/Water</u></th> <th><u>Low Temp Rating</u></th> </tr> </thead> <tbody> <tr> <td>90/10</td> <td>29.1° F</td> </tr> <tr> <td>70/30</td> <td>-38.1° F</td> </tr> <tr> <td>60/40</td> <td>-30.5° F</td> </tr> <tr> <td>50/50</td> <td>-9.4° F</td> </tr> <tr> <td>40/60</td> <td>4.3° F</td> </tr> <tr> <td>30/70</td> <td>14.9° F</td> </tr> <tr> <td>10/90</td> <td>29.1° F</td> </tr> </tbody> </table> When temperature extremes or chemical compatibility fall outside the range of glycerine, note the fill fluid considerations below and consult PIC Gauges for fluid selection. 	<u>% Glycerine/Water</u>	<u>Low Temp Rating</u>	90/10	29.1° F	70/30	-38.1° F	60/40	-30.5° F	50/50	-9.4° F	40/60	4.3° F	30/70	14.9° F	10/90	29.1° F
<u>% Glycerine/Water</u>	<u>Low Temp Rating</u>																
90/10	29.1° F																
70/30	-38.1° F																
60/40	-30.5° F																
50/50	-9.4° F																
40/60	4.3° F																
30/70	14.9° F																
10/90	29.1° F																
FILL FLUID CONSIDERATIONS	TEMPERATURE RANGES																
<p>Guidelines for determining an appropriate fill fluid include:</p> <ul style="list-style-type: none"> Temperature <ul style="list-style-type: none"> Low Temp Application: Use anti-freeze, low viscosity silicone oil or other comparable liquids High Temp Application: Use high temp rated fluids such as Syltherm® 800 or high viscosity silicone oil Infrequent but Severe Pressure Spikes: Use high viscosity fluid Gauges with Electrical Contacts: Use insulation oils Chemical Compatibility: Select fill fluid that will not react with the process media in the event of bourdon tube failure. 	<p>While the temperature range for each individual fill fluid varies, the ranges listed below take into consideration the operating temperature permissible for gauges.</p> <table border="1" data-bbox="883 1392 1463 1755"> <thead> <tr> <th>Gauge Fill Fluid</th> <th>Operating Temp Range</th> </tr> </thead> <tbody> <tr> <td>Glycerine</td> <td>+30° F to 160° F</td> </tr> <tr> <td>99.5% Food Grade</td> <td>-1° C to 71° C</td> </tr> <tr> <td>Silicone</td> <td>-40° F to 160° F</td> </tr> <tr> <td>DC 200 1000 cSt</td> <td>-40° C to 71° C</td> </tr> <tr> <td>Halocarbon®</td> <td>-40° F to 160° F</td> </tr> <tr> <td></td> <td>-40° C to 71° C</td> </tr> </tbody> </table> <p>For temperatures above 160° F, contact PIC Gauges for assistance in selecting fill fluids rated at higher temperatures and appropriate fill fluids.</p>	Gauge Fill Fluid	Operating Temp Range	Glycerine	+30° F to 160° F	99.5% Food Grade	-1° C to 71° C	Silicone	-40° F to 160° F	DC 200 1000 cSt	-40° C to 71° C	Halocarbon®	-40° F to 160° F		-40° C to 71° C		
Gauge Fill Fluid	Operating Temp Range																
Glycerine	+30° F to 160° F																
99.5% Food Grade	-1° C to 71° C																
Silicone	-40° F to 160° F																
DC 200 1000 cSt	-40° C to 71° C																
Halocarbon®	-40° F to 160° F																
	-40° C to 71° C																

LIQUID FILLING/VENTING SEALED GAUGES

Sealed gauges, whether liquid filled or dry, can build internal pressure that can cause an instrument to be inaccurate. An inaccurate gauge can lead to inaccurate system pressures, inefficient processes and damage to components of pressurized systems. By venting the gauge, the internal case pressure can be returned to atmospheric pressure, thereby improving the accuracy of the gauges.

American National Standards Institute (ANSI) approves American National Standards which include the American Society of Mechanical Engineers (ASME) standard ASME B40.100. This standard addresses venting of sealed gauges within the following section:

Sealed Cases: Liquid filled or not, will exhibit error as a result of exposure to ambient or media temperature different from that at which the case was sealed unless compensation is provided. This error is caused by internal case pressure changes and depends on fill media, extent of fill and other factors. The error is constant over the entire scale, and if the temperature is stable, within limits, it can be corrected by resetting the pointer. An increase in temperature generally causes an increase in internal case pressure with a resulting decrease in indicated pressure. The opposite occurs for a decrease in temperature. For a given temperature change, the percentage of error noted on the gauge is a function of the range of the gauge. If, for example, the temperature increase causes the internal pressure to increase by 3 psi, then on a 30 psi gauge, this will cause a 10% error, whereas on a 0/100 psi gauge, the error will be 3%. For higher ranges, the percentage of error becomes proportionately less.

A fill plug fits into the hole in a pressure gauge case. On liquid fillable pressure gauges, a ventable fill plug is used to relieve internal case pressures that occur due to thermal expansion of the fill fluid. Several options are shown below. **IMPORTANT NOTE:** When venting filled gauges, always install in the upright position to prevent leaks.

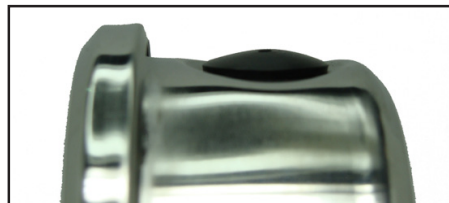
PRESSURE RELIEF PLUG OPTIONS



FLIP PLUG



CLIP PLUG



FLAT PLUG

TEST AND CERTIFICATION OF PRESSURE GAUGES

1. All of PIC Gauges pressure gauges are manufactured to be in accordance with ASME B40.1-2005.
2. Each gauge is individually tested and calibrated during the assembly process.
3. Although each gauge is individually tested, they are not individually traceable to NIST Standards and therefore not certified as a standard of production.
4. If certification of accuracy is required, independent testing against a known and traceable standard (i.e. a certified dead weight tester) will be required. This typically carries additional fees and charges. Please contact a PIC Gauges account representative for more information.
5. If a certificate of conformance is required, PIC Gauges can supply this at no or minimal expense. Please contact an account representative for more information.

Although all PIC Gauges are manufactured and tested to be accurate and in calibration, rough handling during shipment may cause pressure gauges to be “knocked out” of calibration. This can occur even though good packaging practice was used.

The American National Standard on pressure gauges (ASME B40.1) recognizes this by including the following statement:

Caution to users: Pressure gauges can be rendered inaccurate during shipment despite care taken in packaging. To insure conformance to the standard grade to which the pressure gauge was manufactured, it should be checked before use.

Gauges received “off zero” because of shipping damage can usually be brought back into calibration by a simple pointer adjustment.

Please make sure your customers are aware of this information.

ASME STANDARD ACCURACY GRADES

Accuracy Grade	Permissible Error (+/- percent of span) (excluding friction)			Maximum Friction (% of span)	Min Dial Size (270° dial arc)
	Lower 1/3 of scale	Middle 1/3 of scale	Upper 1/3 of scale		
4A	0.1			Note*	8.5"
3A	0.25			0.25	4.5"
2A	0.5			0.5	2.5"
1A	1.0			1.0	1.5"
A	2.0	1.0	2.0	1.0	1.5"
B	3.0	2.0	3.0	2.0	1.5"
C	4.0	3.0	4.0	3.0	1.5"
D	5.0	5.0	5.0	3.0	1.5"

*NOTE: Grade 4A gauges must remain within specified tolerance before and after being lightly tapped.



LIMITED WARRANTY / RETURNS

LIMITED WARRANTY

PIC Gauges, a division of Engineered Specialty Products Inc., warrants all of its mechanical instruments to be free from defects in materials and workmanship. Liability under this warranty is limited to repair or replacement F.O.B. factory of any products which prove to be defective or repayment of the purchase price at PIC Gauges' option. Instruments must be returned, transportation prepaid, within one year from date of purchase.

This warranty should not apply to the following:

- A. The product has been subjected to misuse, neglect, abuse, accident, incorrect mounting, improper use or misapplication.
- B. The performance of any system of which PIC Gauges' products are a component part.
- C. The product has been exposed to any other service, range or environment of greater severity than that for which the products were designed.
- D. The product has been altered or repaired by anyone except PIC Gauges or its authorized service agencies.
- E. The serial number or date code has been removed, defaced or changed.
- F. The actual pressure and temperature occurring exceed the values specified for PIC Gauges products.

Unless otherwise specified in a manual or warranty card, or agreed to in writing signed by an authorized PIC Gauges representative, PIC Gauges products shall be warranted for one year from the date of sale.

The warranty is in lieu of all other warranties expressed or implied, and of all obligations or liabilities on its part for damages including but not limited to consequential damages, following the use or misuse of instruments sold by PIC Gauges. No agent is authorized to assume for PIC Gauges any liability except as set forth above.

RETURNS

What items can be returned?

Any standard product (excluding special order items) may be returned within 30 days for an exchange or refund (less shipping charges).

Shipping discrepancies must be reported within 7 days.

Who pays for return shipping?

The customer is responsible for return shipping costs unless PIC Gauges has made an error in shipment or an item arrives damaged or defective. In the event of a shipment error or a damaged/defective item, PIC Gauges will be responsible for the cost of ground shipping only, and only for returns made within 30 days of the purchase date.

Please contact PIC Gauges if your defective merchandise is less than \$10.00 in value as returning the merchandise may not be necessary.

How do I return an item?

Contact PIC Gauges for an RGA number and shipping instructions.

Disclaimer

All prices and policies are subject to change without notice.



TEMPERATURE CONVERSION CHART

°F	°C
-400.0	-240.0
-364.0	-220.0
-328.0	-200.0
-292.0	-180.0
-256.0	-160.0
-220.0	-140.0
-184.0	-120.0
-148.0	-100.0
-112.0	-80.0
-76.0	-60.0
-58.0	-50.0
-49.0	-45.0
-40.0	-40.0
-31.0	-35.0
-22.0	-30.0
-13.0	-25.0
-4.0	-20.0
5.0	-15.0
14.0	-10.0
17.6	-8.0
21.2	-6.0
24.8	-4.0
28.4	-2.0
32.0	0.0

°F	°C
35.6	2.0
39.2	4.0
42.8	6.0
46.4	8.0
50.0	10.0
59.0	15.0
68.0	20.0
77.0	25.0
86.0	30.0
95.0	35.0
104.0	40.0
113.0	45.0
122.0	50.0
131.0	55.0
140.0	60.0
149.0	65.0
158.0	70.0
167.0	75.0
176.0	80.0
185.0	85.0
194.0	90.0
203.0	95.0
212.0	100.0
230.0	110.0

°F	°C
248.0	120.0
266.0	130.0
284.0	140.0
302.0	150.0
320.0	160.0
338.0	170.0
356.0	180.0
374.0	190.0
392.0	200.0
428.0	220.0
464.0	240.0
500.0	260.0
536.0	280.0
572.0	300.0
608.0	320.0
644.0	340.0
680.0	360.0
716.0	380.0
752.0	400.0
788.0	420.0
824.0	440.0
860.0	460.0
896.0	480.0

Temperature Conversion Formulas

$$^{\circ}\text{C} = (5/9) * (^{\circ}\text{F} - 32)$$

$$^{\circ}\text{F} = (9/5) * ^{\circ}\text{C} + 32$$

NEW PRODUCTS & CUSTOM SOLUTIONS



Gauge with Capillary & Diaphragm Seal - High Temp Application

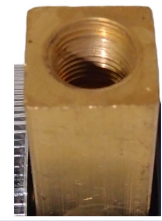


Custom Connections

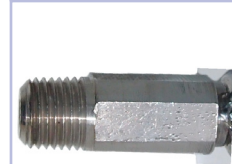
JIC/UNF/Flare



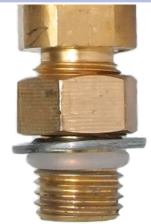
Female



Long Socket



SAE



Clamshell Packaging



UPC Codes



Custom Displays



Specialty Pressure Transmitters



OEM Pressure Switches



Temperature Switches

