

Dwyer®

Manufacturing Excellence
Since 1931

2016



Pressure ■ Air Quality ■ Flow ■ Temperature ■ Level ■ Process Control ■ Test & Data ■ Valves

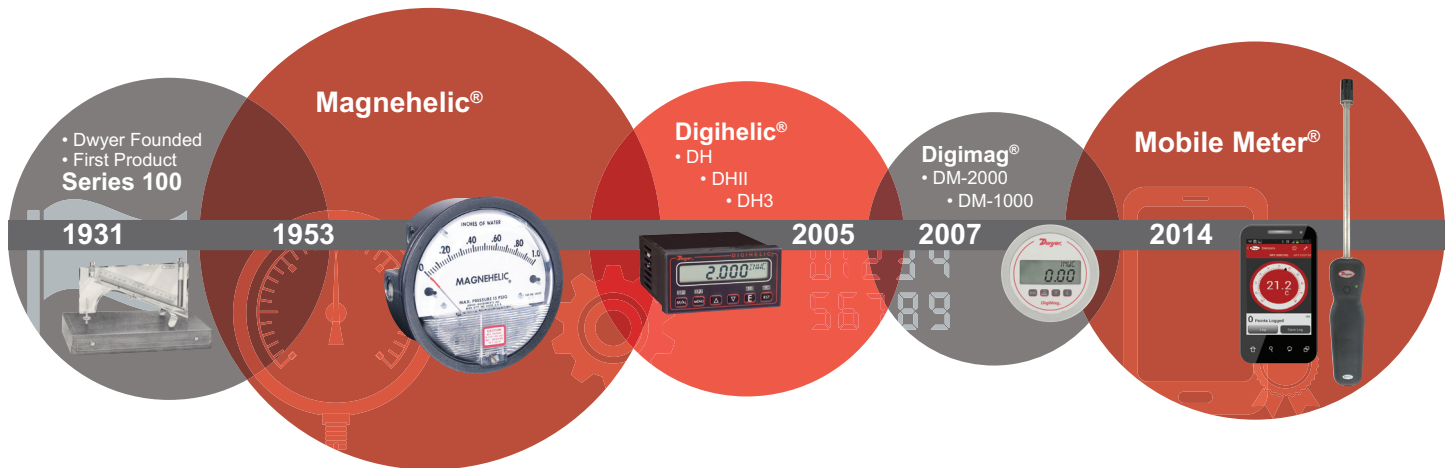
dwyer-inst.com

ABOUT US

DWYER INSTRUMENTS IS A **GLOBAL LEADER** IN DESIGNING AND MANUFACTURING INNOVATIVE CONTROLS, SENSORS AND INSTRUMENTATION SOLUTIONS TO THE HVAC AND PROCESS AUTOMATION MARKETS.

- **Meet and exceed** customer and market expectations
- Sustained R&D and **product development**
- Highly **automated** and **flexible manufacturing** capabilities
- Provide **high quality, reliable, and readily available** products and solutions
- **Global sales** and **marketing** presence

HISTORY



- More than **75 new products** developed since 2005
- 650 patents

ESTABLISHED DWYER BRANDS



DWYER AROUND THE GLOBE



CONTACT INFORMATION

CORPORATE HEADQUARTERS

DWYER INSTRUMENTS, INC.
102 Indiana Highway 212
P.O. Box 373
Michigan City, IN 46360, U.S.A.

Phone | 219-879-8000
Toll-Free | 800-872-9141
Fax | 219-872-9057
dwyer-inst.com

UNITED KINGDOM

DWYER INSTRUMENTS LTD
Unit 16, The Wye Estate, London Road
High Wycombe, Bucks HP11 1LH-U.K.

Phone | +44 0 1494 461707
Fax | +44 0 1494 465102
dwyer-inst.co.uk

AUSTRALIA

DWYER INSTRUMENTS, PTY. LTD.
Unit 1, 11 Waverley Drive
P.O. Box 359
Unanderra, NSW 2526 Australia

Phone | +61 0 2 4272 2055
Fax | +61 0 2 4272 4055
dwyer-inst.com.au

HONG KONG

DWYER INSTRUMENTS HK, LTD.
Unit 605A, 6/F, Shui Hing Centre
13 Sheung Yuet Road, Kowloon Bay, Hong Kong

Phone | +852-23181007
Fax | +852-27561565
dwyer-inst.com.hk

OTHER CONTACTS

ORDERS

orders@dwyermail.com

TECHNICAL SUPPORT

tech@dwyermail.com

LITERATURE REQUESTS

lit@dwyermail.com

QUOTATION/BID REQUESTS

quotes@dwyermail.com

GENERAL INFORMATION

info@dwyermail.com

INTERNATIONAL CUSTOMERS

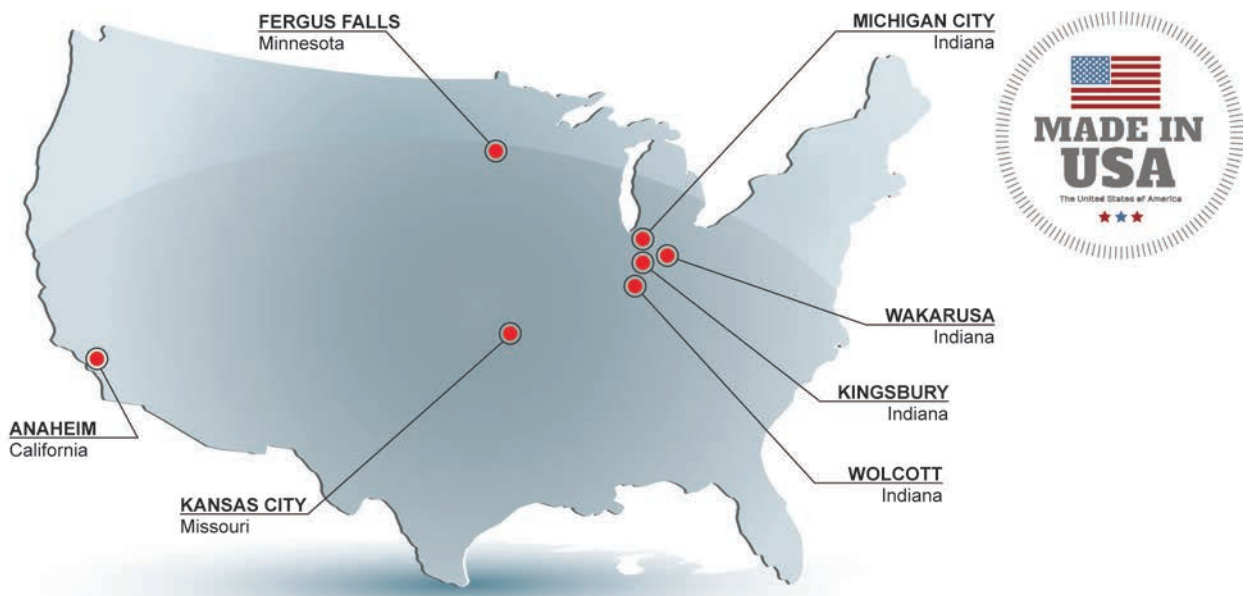
Dwyer has local distributors in over 50 countries. Contact the office of your country or contact the corporate headquarters to find your local distributor. You can also go to our website at the following address to be contacted by your local distributor:
<http://www.dwyer-inst.com/Distributors/DistContactInfo.cfm>.

MANUFACTURING EXCELLENCE

At Dwyer, it all starts with commitment to meeting the needs of our customers. We strive to make products for ease of use and dependability. With over 80 years of manufacturing expertise, we supply the highest quality products and stand behind them. Dwyer products are trusted in applications all over the world in almost every industry.



MANUFACTURING & DESIGN CENTER LOCATIONS



CUSTOMER SERVICE

REAL PEOPLE

Courteous and professional customer service representatives are available via phone and email to process and provide assistance with your order. Dwyer provides industry leading response time to answer your call quickly without making you wait.

PRICING

Contact us for formal quotes. Dwyer offers bids and project quotes. Discounts are available for particular customer types based on quantities purchased.

PRODUCT DELIVERY

LARGE INVENTORY LOCATED CENTRALLY IN THE U.S.

Dwyer is committed to get you your order quickly with more than 5,000 line items in stock in our Michigan City, Indiana headquarters and in most cases lead times less than two weeks for non-stock products.

FAST PROCESSING AND PACKING

Our dedicated shipping staff packs and ships your order the same day on stock items ordered before 2:00 PM U.S. Central Time.

FLEXIBLE SHIPPING

Dwyer offers blanket orders for OEM's to schedule out your product shipments for when you need them. Contact us for details.

TECHNICAL SUPPORT

All of our technical sales staff are degreed engineers trained to be product and industry experts. We listen to your needs and get you the answers you want quickly.

WE HELP YOU FIND A SOLUTION

- Product Selection
- Application Assistance
- Regulatory and Agency Approval Compliance
- Installation Guidance
- Maintenance and Repair
- Product Customization for OEM's

TO CONTACT A TECHNICAL SUPPORT ENGINEER

PHONE
219-879-8000

FAX
219-872-9057

EMAIL
tech@dwyermail.com



DWYER DIGITAL CATALOG

- Browse the catalog on the web or download to your computer to have access to it when offline
- Search by any word or phrase in the catalog
- Print or email pages
- Add notes to any page

DWYER CATALOG APP

- Available on iOS® and Google Play® markets
- Designed for iPad®, iPhone®, and Android® mobile devices
- Download the catalog to your mobile device and view it anytime when offline
- Search by word or phrase
- Thumbnail page navigation



PRODUCT INFORMATION

- We offer more than what is in the Dwyer catalog – more products, more options and more technical details
- Instruction manuals and catalog pages in PDF format for easy viewing and download
- Product dimensions viewable in web browser
- Product drawings in DWG format for downloading and using in CAD software
- Agency approval certificates – CE, FM, UL, CSA and ATEX

PRODUCT SEARCH

- Search by model number, keyword or series

PRODUCT CONFIGURATOR

- Create and order your own custom Dwyer product on the web
- Easy to use graphic interface lets you see all available options and select what you need for your application
- Shows option rules so that you can see what options are not compatible

VIDEO LIBRARY

- A collection of informative and instructional videos that are centered on a given product series
- Search videos according to product category
- Link to product page for further information

AND MORE!

- Product applications and technical guides
- Download product brochures and catalogs in PDF format
- Frequently asked questions
- Industry articles
- Popular products

SOCIAL MEDIA

STAY CONNECTED WITH DWYER INSTRUMENTS
THE MOST UP-TO-DATE INFORMATION DWYER HAS TO OFFER!

WWW.TWITTER.COM/DWYERINSTRUMENT

WWW.YOUTUBE.COM/DWYERINSTRUMENTS

WWW.LINKEDIN.COM/COMPANY/DWYER-INSTRUMENTS

WWW.FACEBOOK.COM/DWYERINSTRUMENTSINCORPORATED

WWW.SLIDESHARE.NET/DWYER_INSTRUMENTS



SPECIAL MODELS FOR OEM REQUIREMENTS

CUSTOMIZED FOR YOU!
OFFERED IN A WIDE VARIETY OF DESIGNS, FEATURES AND SCALES

Special instrument designs can be supplied to meet a wide range of OEM requirements and specific application needs. Custom scales and private brand identification can easily be furnished. These include: chrome or specially painted bezels, special membranes, special ranges and calibrations, dual scales, reflective scales, special cleaning and OEM identification. For specific information please contact our customer service department at 219-879-8000.



CALIBRATION & CERTIFICATE SERVICES



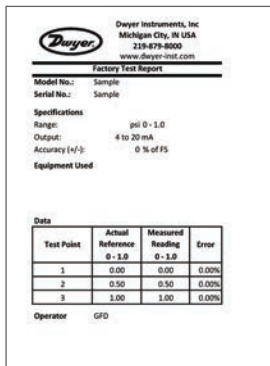
CERTIFICATE OF CONFORMANCE

A standard Certificate of Conformance is available FREE of charge at the time of order for most products. This document certifies that the product was manufactured to conform to the published specifications in Dwyer Instruments literature.



CERTIFICATE OF CALIBRATION

A standard Certificate of Calibration is available FREE of charge at the time of order for most products. This document certifies that the product was tested to conform to the published accuracy specification published in the specifications in Dwyer Instruments literature.



FACTORY CALIBRATION CERTIFICATE

A Factory Calibration Certificate gives you assurance that the unit has been tested for performance at the time of manufacture. The certificate includes testing points with recorded test data. Factory Calibration Certificates are available for many popular products. Pricing and availability varies by product. Please consult the options listing for the product on the catalog page or see the product on our website for availability.



CERTIFICATE OF NIST CALIBRATION

A Certificate of NIST Calibration is available for most indicating and transmitting instrumentation products at an additional charge. This certificate is created in our testing lab to NIST traceable test instruments and includes test points with recorded data and the reference standard. Pricing and availability varies by product. Please consult the options listing for the product on the catalog page or see the product on our website for availability. For some products customer specified test points can be specified for an additional charge.

STANDARD TERMS & CONDITIONS OF SALE

DWYER INSTRUMENTS, INC. - STANDARD TERMS AND CONDITIONS OF SALE

- 1. Prices and Specifications** are subject to change without notice.
- 2. Shipping dates** are approximate. They are dependent upon credit approval and subject to delays beyond our control.
- 3. Terms:** Net 30 days to companies with established credit rating. In the event Buyer fails to fulfill previous terms of payment, or in case Seller shall have any doubt at any time as to Buyer's financial responsibility, Seller may decline to make further deliveries except upon receipt of cash in advance or other special arrangements.
- 4. Point and Title:** All material is sold EXW Ex Works Dwyer Instruments, Inc. Title to all material sold shall pass to buyer upon delivery by Seller to carrier at shipping point.
- 5. State and Local Taxes:** Any taxes which the Seller may be required to pay or collect upon or with respect to the sale, purchase, delivery, use or consumption of any of the material covered hereby shall be for the account of the Buyer and shall be added to the purchase price.
- 6. Special tooling,** dies, silk screens and molds acquired specially to produce goods for Buyer remain the property of Dwyer Instruments, Inc., and may not be removed. They will be maintained in good condition for a minimum period of three years from the date of the original purchase order.
- 7. Trade Compliance:** Buyer acknowledges that the products, software, and technology, including technical information and documents (collectively "Items"), of Dwyer Instruments, Inc., are subject to regulation by agencies of the U.S. government including, but not limited to, the U.S. Department of Commerce. Buyer shall comply with the Export Administration Regulations (EAR) and all applicable U.S. laws and regulations regarding the sale, delivery and transfer of said Items. Buyer shall not, without first obtaining the required licenses, authorizations or approvals from the appropriate U.S. government agency; (i) export, re-export, transfer or divert any Item directly or indirectly to any country or national resident thereof, or any person, entity or country that has restrictions imposed upon them by the U.S. government, (ii) engage in, or knowingly sell to any party engaged in activity related to the development, production, use, testing, or maintenance of Weapons of Mass Destruction, including uses related to nuclear, missile, chemical or biological warfare, or (iii) engage in, or knowingly sell to any party engaged in activity related to the development, production, use, or maintenance of any safeguarded or unsafeguarded nuclear fuel facility or components for such facilities. Buyer shall fully cooperate with Seller, without charge, in any official audit or inspection by an authorized agent, official, employee, or accredited representative of the U.S. government. Buyer shall indemnify and hold Seller harmless from, or in connection with, any violation of this Section by Buyer, its employees, consultants, agents, or customers. The obligations, requirements and claims described herein shall survive the expiration of any business relationship with Dwyer Instruments, Inc., including its divisions, subsidiaries and affiliated companies.
- 8. Limited Warranty:** The Seller warrants all Dwyer Instruments and equipment to be free from defects in workmanship or material under normal use and service for a period of one year from date of shipment. Liability under this warranty is limited to repair or replacement EXW Ex Works Dwyer Instruments, Inc. of any parts which prove to be defective within that time or repayment of the purchase price at the Seller's option provided the instruments have been returned, transportation prepaid, within one year from date of purchase. All technical advice, recommendations and services are based on technical data and information which the Seller believes to be reliable and are intended for use by persons having skill and knowledge of the business, at their own discretion. In no case is Seller liable beyond replacement of equipment EXW Ex Works Dwyer Instruments, Inc. or the full purchase price. This warranty does not apply if the maximum ratings label is removed or if the instrument or equipment is abused, altered, used at ratings above the maximum specified, or otherwise misused in any way.

THIS EXPRESS LIMITED WARRANTY IS IN LIEU OF AND EXCLUDES ALL OTHER REPRESENTATIONS MADE BY ADVERTISEMENTS OR BY AGENTS AND ALL OTHER WARRANTIES, BOTH EXPRESS AND IMPLIED. THERE ARE NO IMPLIED WARRANTIES OF MERCHANTABILITY OR OF FITNESS FOR A PARTICULAR PURPOSE FOR GOODS COVERED HEREUNDER.
- 9. Buyer's Remedies:** THE BUYER'S EXCLUSIVE AND SOLE REMEDY ON ACCOUNT OF OR IN RESPECT TO THE FURNISHING OF NON-CONFORMING OR DEFECTIVE MATERIAL SHALL BE TO SECURE REPLACEMENT THEREOF AS AFORESAID. THE SELLER SHALL NOT IN ANY EVENT BE LIABLE FOR THE COST OF ANY LABOR EXPENDED ON ANY SUCH MATERIAL OR FOR ANY SPECIAL, DIRECT, INDIRECT, CONSEQUENTIAL OR INCIDENTAL DAMAGES TO ANYONE BY REASON OF THE FACT THAT IT SHALL HAVE BEEN NON-CONFORMING OR DEFECTIVE.
- 10. Acceptance:** All orders shall be subject to the terms and conditions contained or referred to in the Seller's quotation, acknowledgment, and to those listed here and to no others whatsoever. No waiver, alteration or modification of these terms and conditions shall be binding unless in writing and signed by an executive officer of the Seller. All orders are subject to written acceptance by Dwyer Instruments, Inc., Michigan City, Indiana, U.S.A.

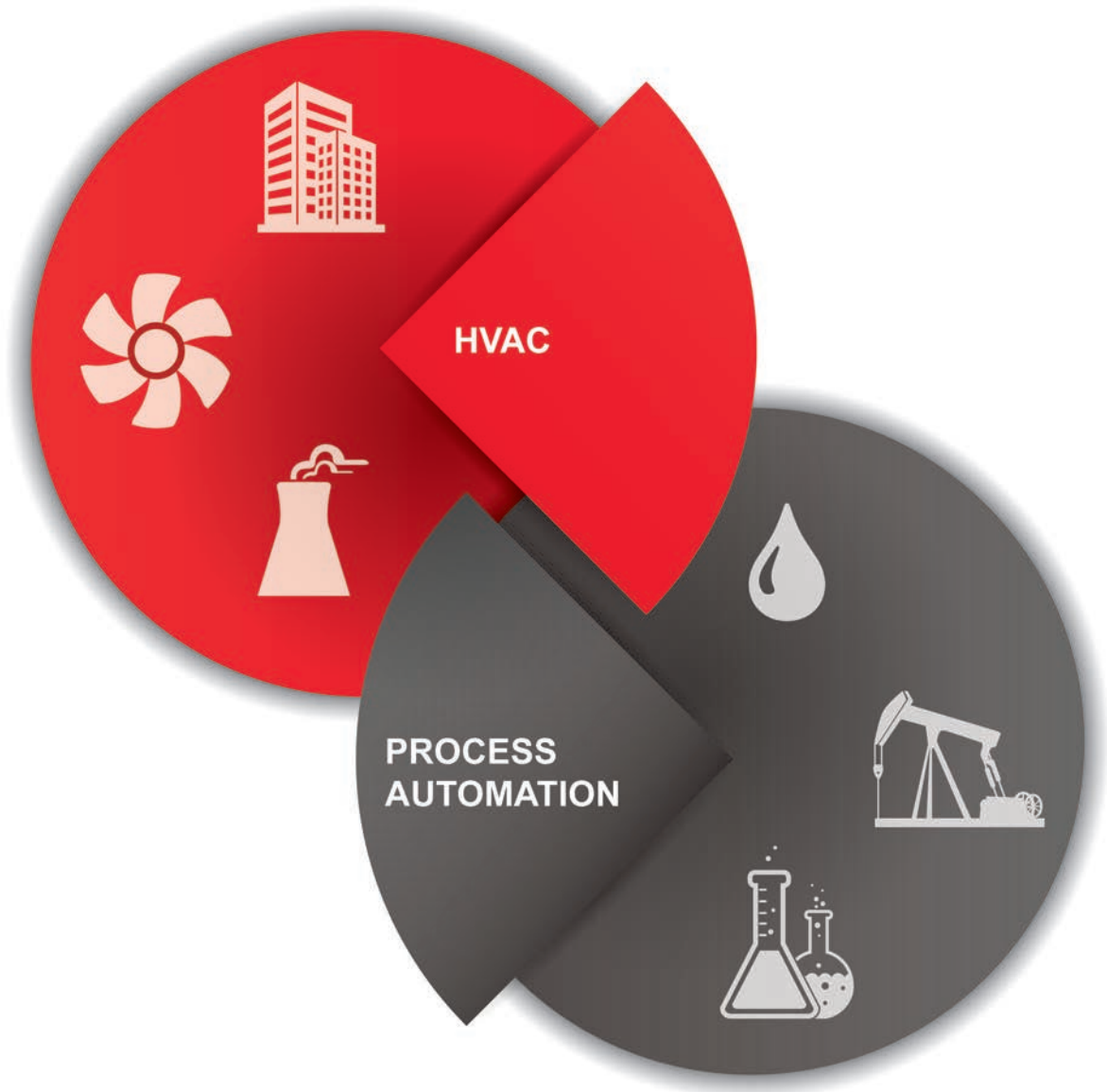
KEY MARKETS

HVAC

Building Automation | Contractor Test Instrument | Controlled Environments
Original Equipment (Chillers, Boilers, Air Handlers, Cooling Towers) | Valve Automation

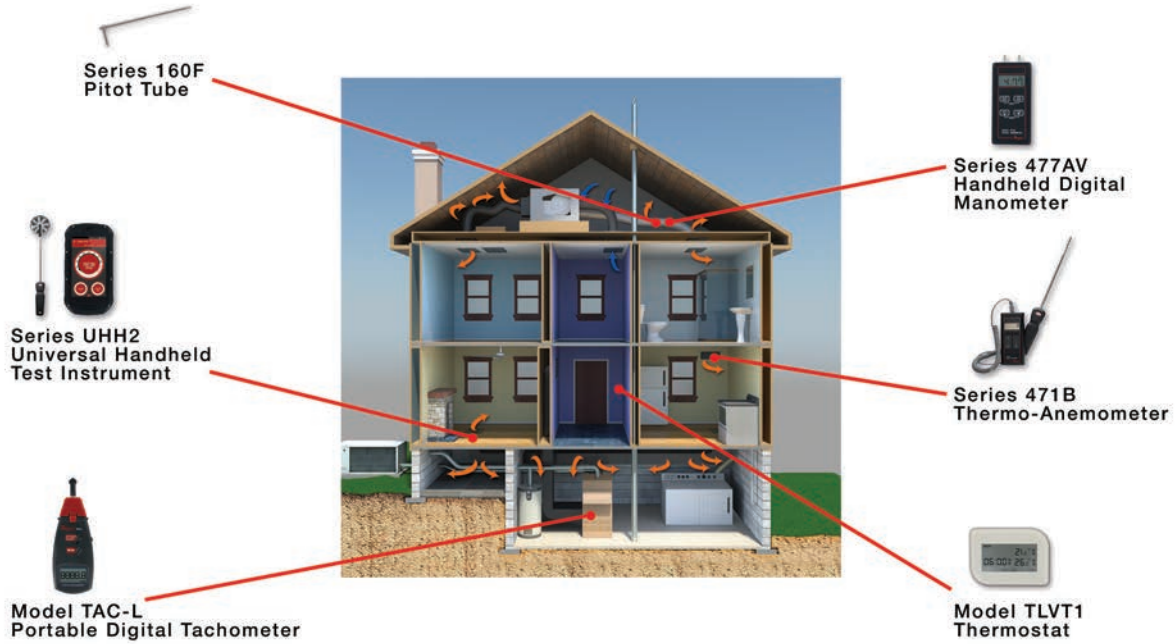
PROCESS AUTOMATION

Water and Wastewater | Pharmaceuticals | Agriculture & Livestock | Industrial Process
Mining & Heavy Earth Moving | Oil, Gas & Petrochemical | Power | Valve Automation

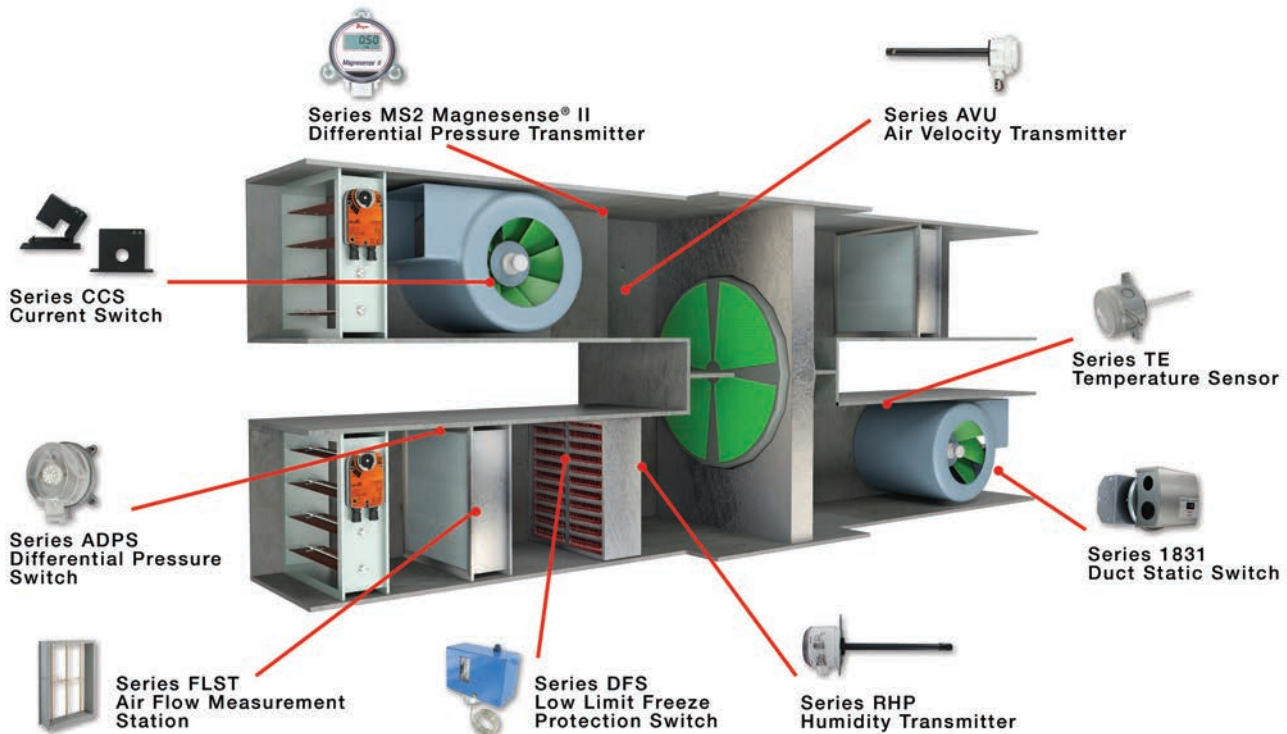


PRODUCT APPLICATIONS

HVAC TESTING

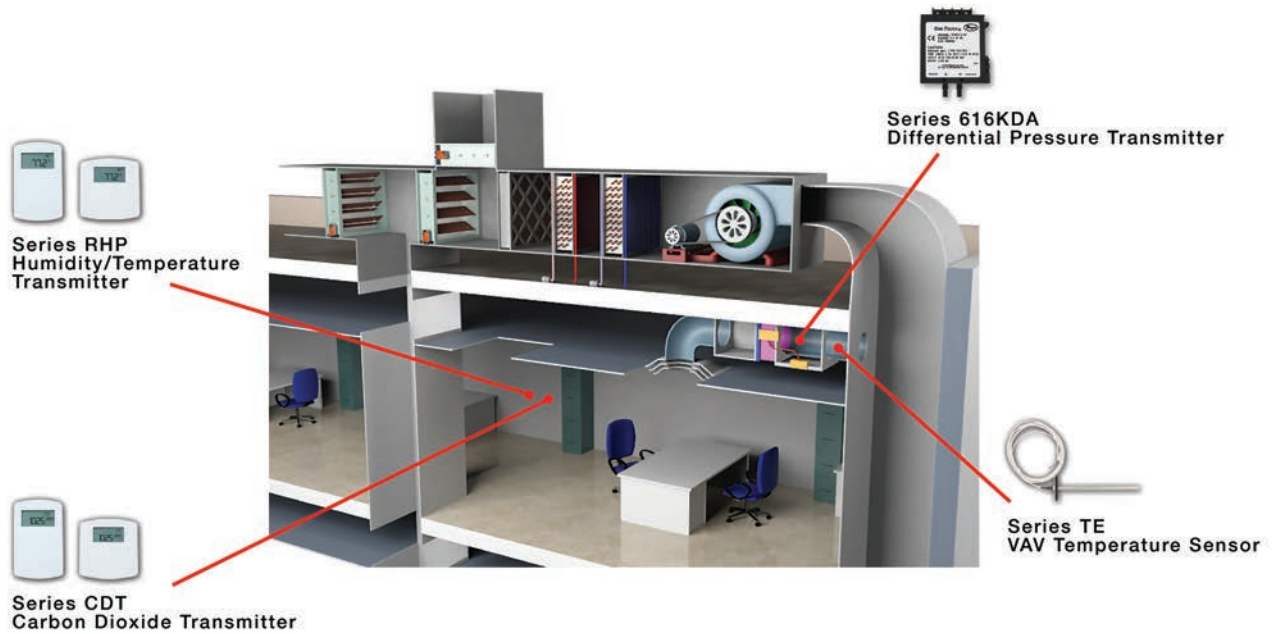


AIR HANDLER

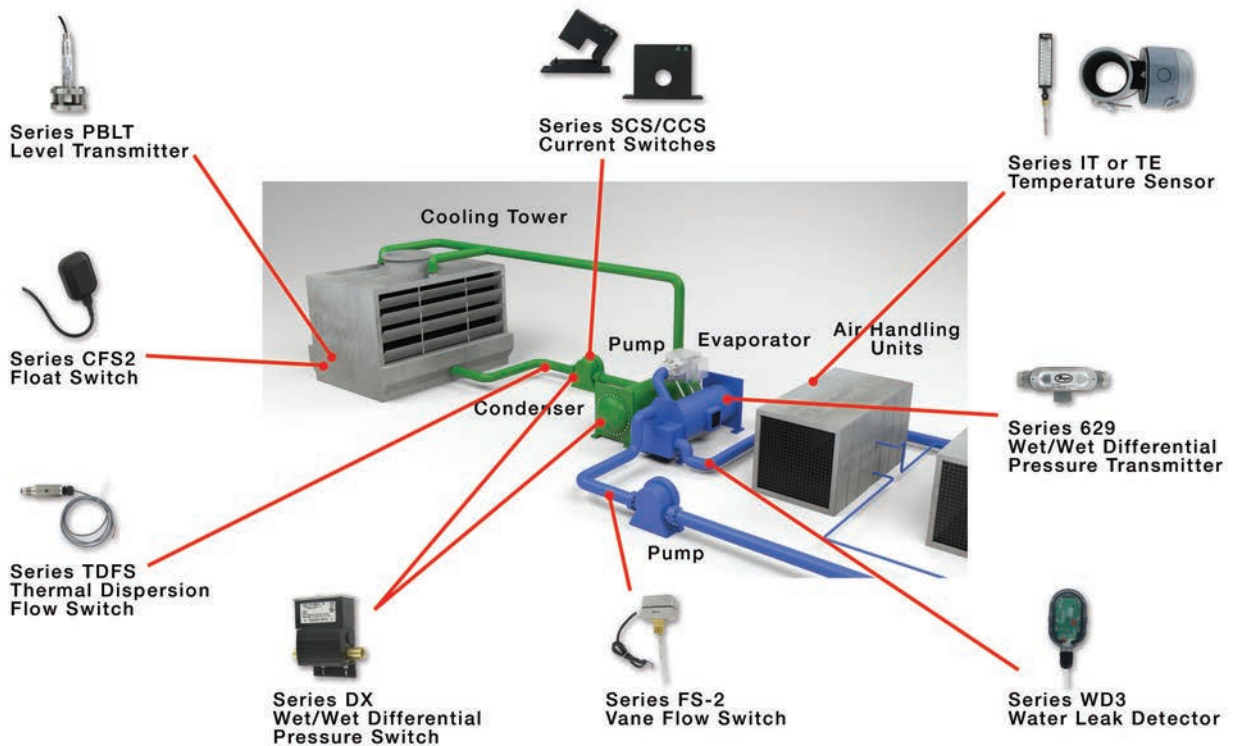


PRODUCT APPLICATIONS

TERMINAL UNIT

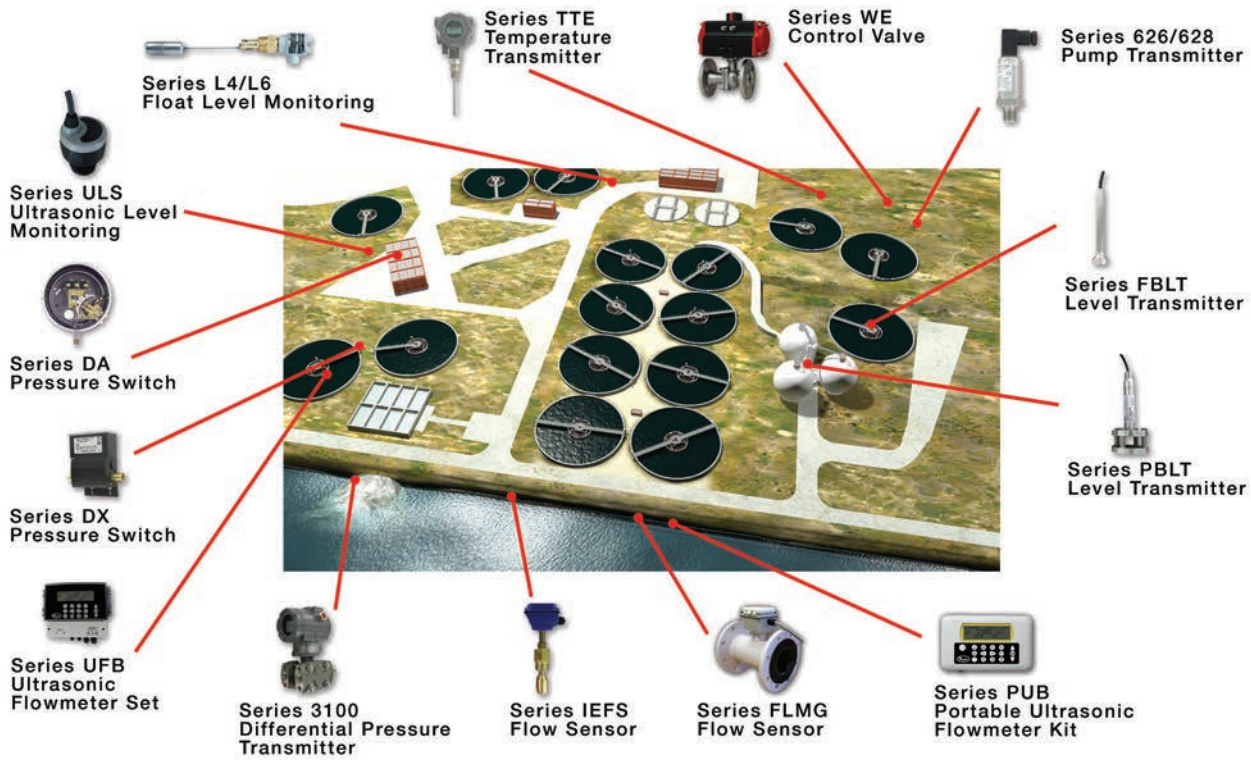


CHILLER PLANT

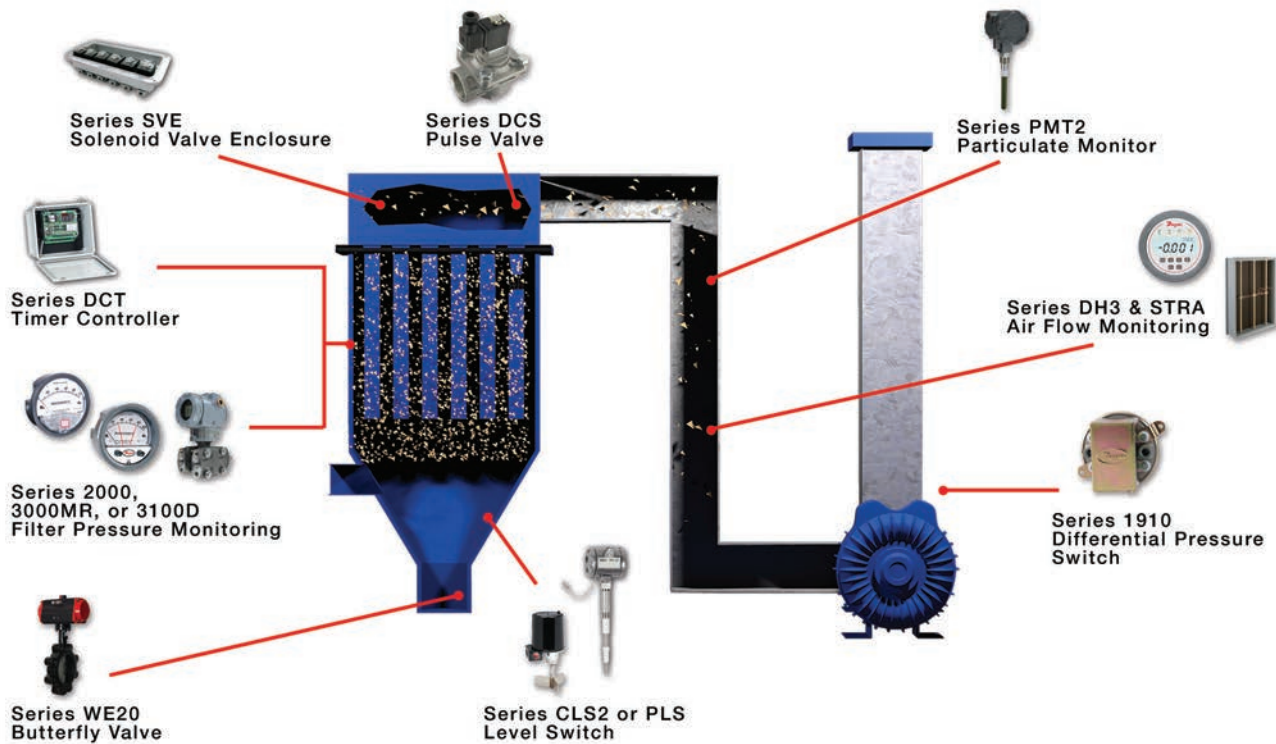


PRODUCT APPLICATIONS

WASTEWATER

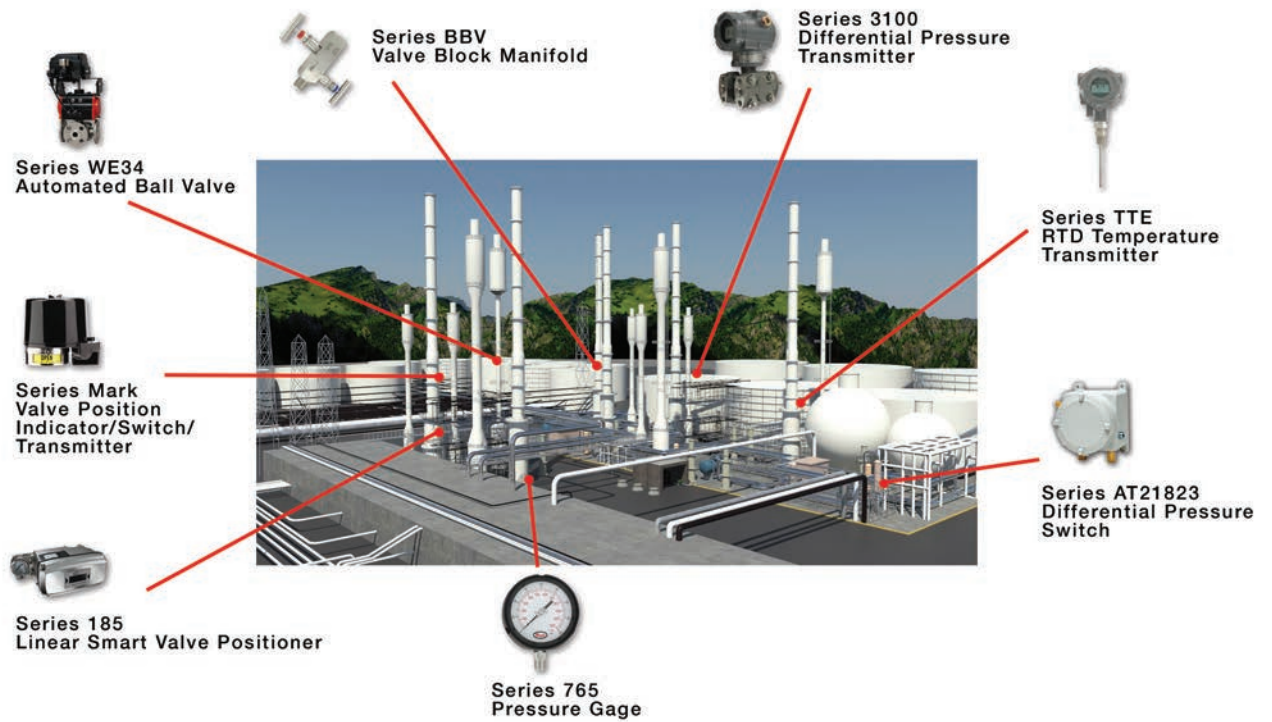


DUST COLLECTOR

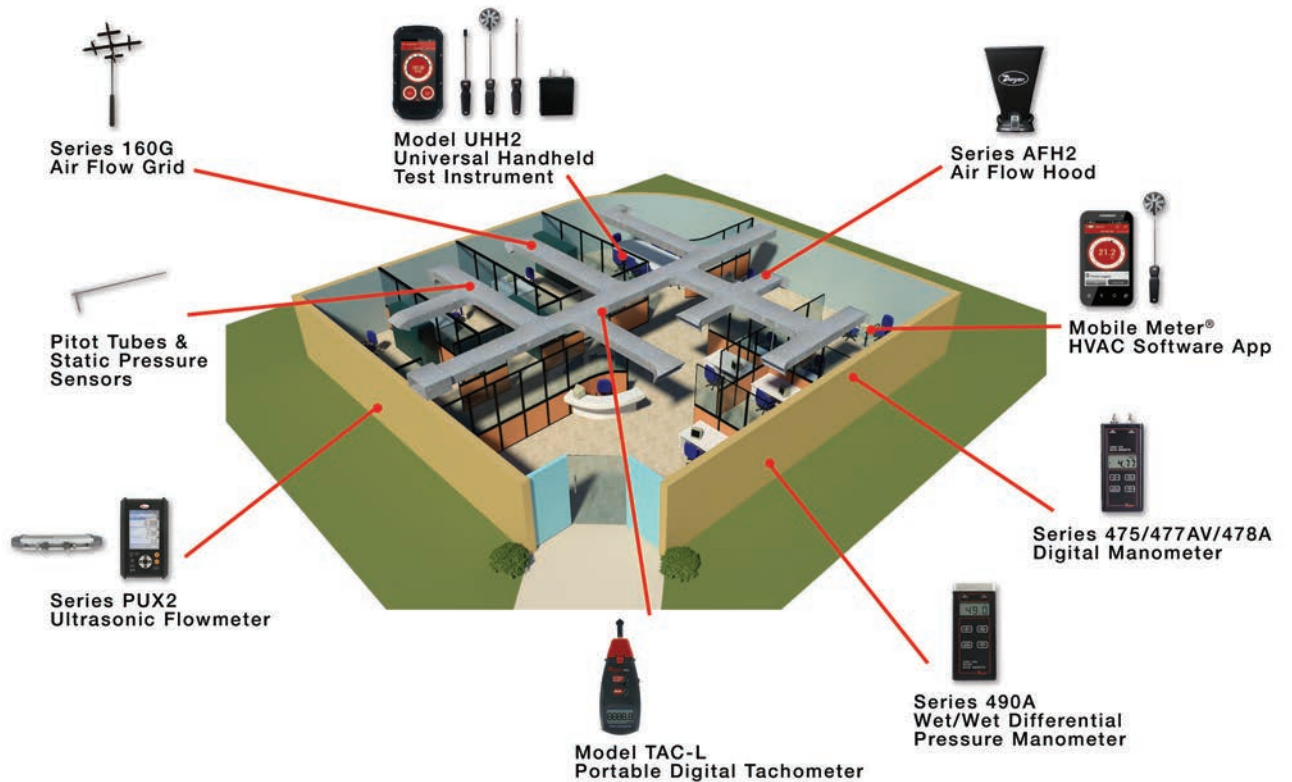


PRODUCT APPLICATIONS

MIDSTREAM REFINERY/CHEM PLANT



BUILDING BALANCING



PRODUCT APPLICATIONS

POULTRY/HOG/GREENHOUSES

Series WMT2 Water Meter

Series RHP Humidity/Temperature Transmitter

Series O-4 Temperature Sensor

Series F6 Level Switch

Series A3000 Photohelic® Pressure Switch/Gage

Series WD3 Water Leak Detector

CLEAN ROOM

Series 605 Magnehelic® Differential Pressure Indicating Transmitter

Series ADPS Differential Pressure Switch

Series 657C-1 Relative Humidity Temperature Transmitter

Series 641 Air Velocity Transmitter

Series 2000 Magnehelic® Differential Pressure Gage

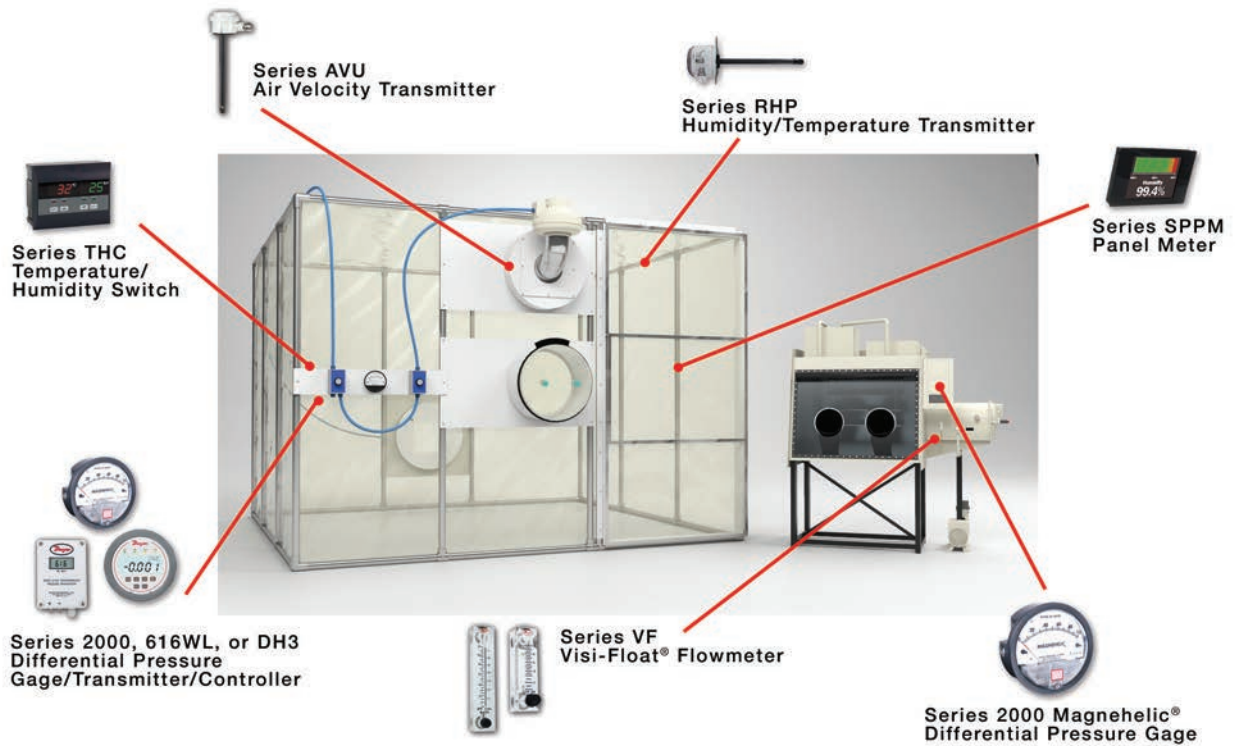
Series TE-N/E Wall Mount Temperature Sensor

Model 670 Fume Hood Monitor

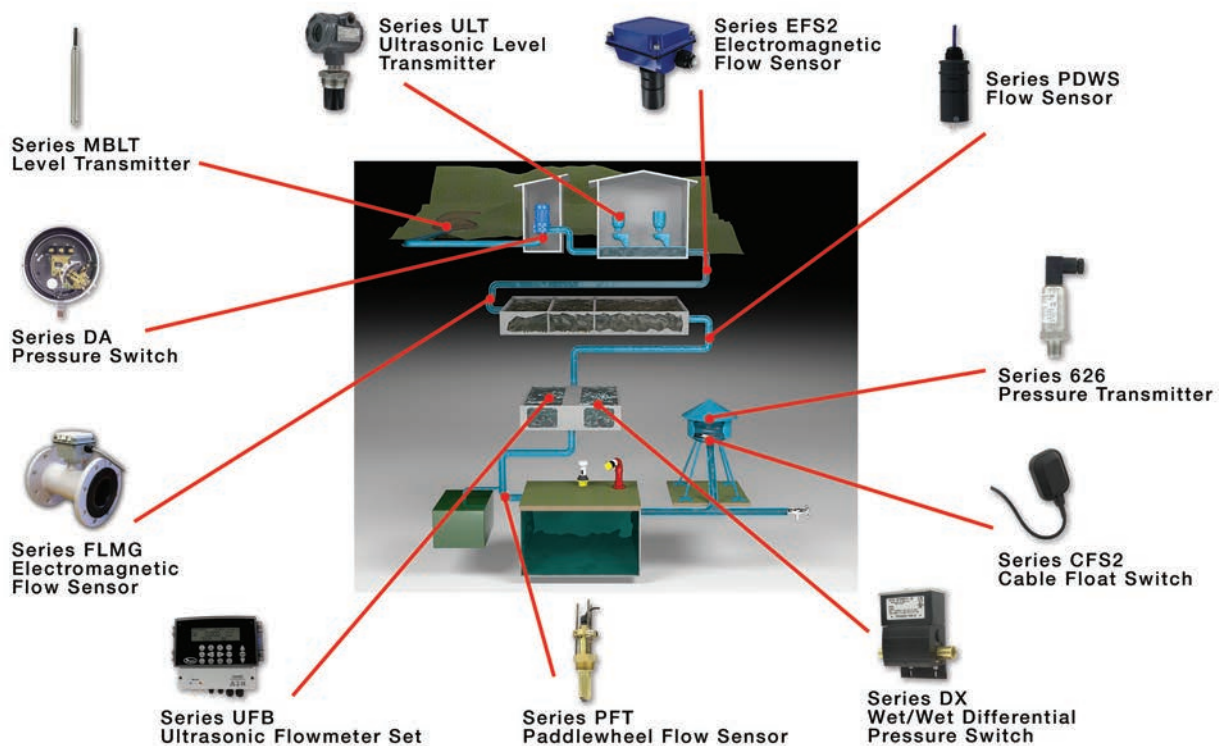
Series 4B-33-986/U Temperature/Process Controller

PRODUCT APPLICATIONS

CONTAINMENT CHAMBER/BOX

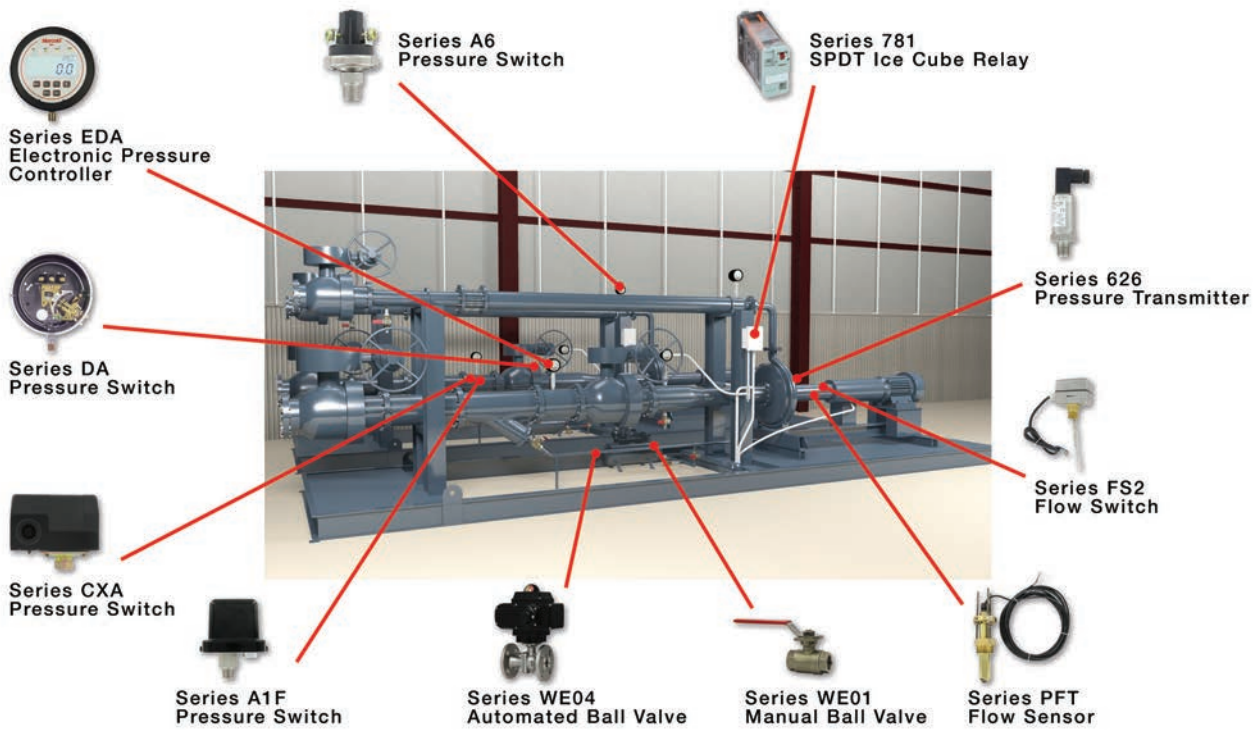


CLEAN WATER

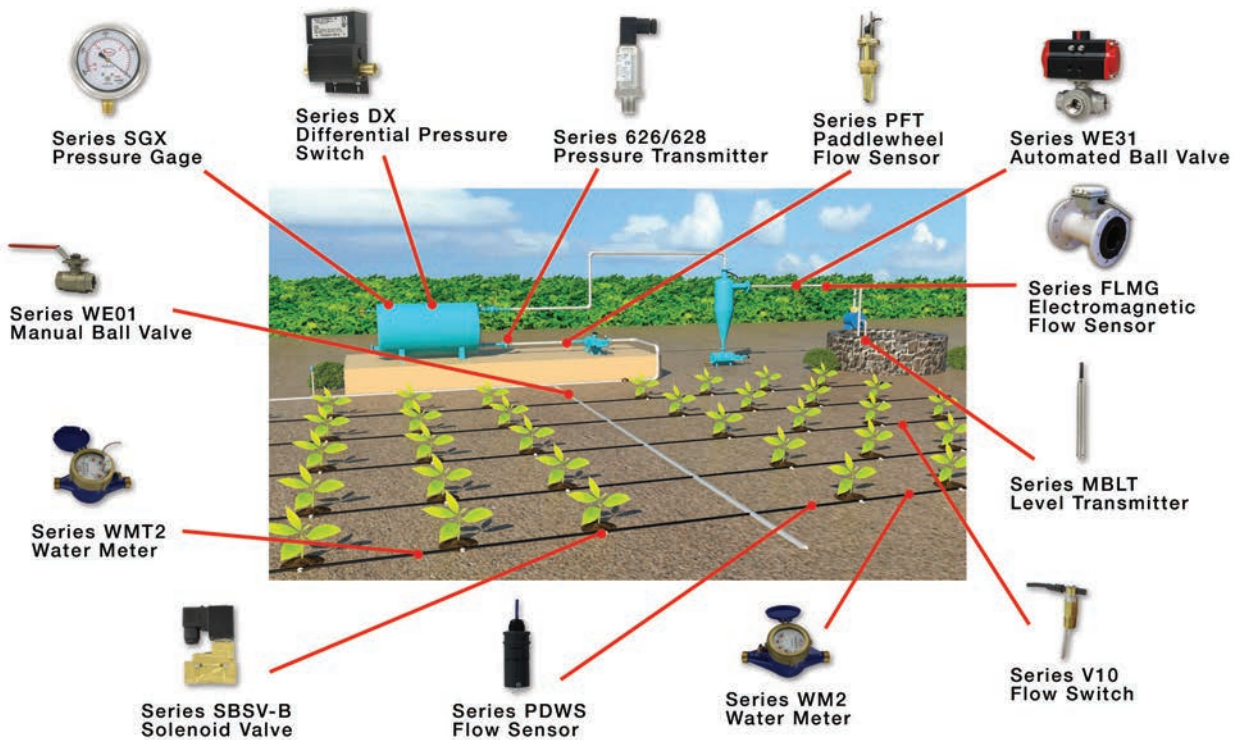


PRODUCT APPLICATIONS

PUMP SKID



IRRIGATION



PRODUCT OVERVIEW

VALVES



PRESSURE



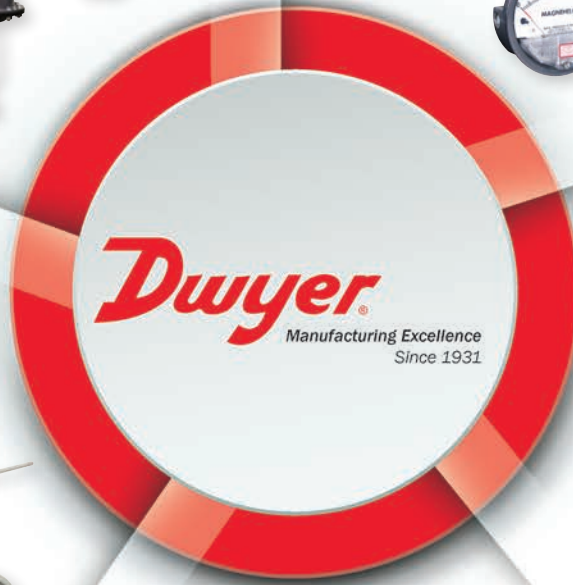
TEMPERATURE, HUMIDITY & GAS SENSING



LEVEL



FLOW & AIR VELOCITY



PRESSURE

Gages/Manometers | Switches/Transmitters | Test Equipment

LEVEL

Indicators/Leak Detectors | Transmitters/Switches | Level/Pump Controllers

FLOW & AIR VELOCITY

Air Velocity Monitors/Switches/Transmitters | Flow Sensors/Monitors/Switches/Transmitters | Test Equipment

TEMPERATURE, HUMIDITY & GAS SENSING

Transmitters/Switches | Thermometers | Controllers/Thermostats

VALVES

Ball/Butterfly | Globe/Control | Position Indicators/Transmitters | Positioners/Controllers/Accessories

1-92

PRESSURE Differential Pressure Gages, Manometers (Stationary), Differential Pressure Gages/Switches (Digital & Dial), Differential Pressure Switches, Differential Pressure Transmitters (Air & Gas), Differential Pressure Transmitters (Liquids & Gas), Single Pressure Gages (Dial & Digital), Single Pressure Gages/Switches/Transmitters (Digital), Single Pressure Switches, Single Pressure Transmitters

93-118

AIR QUALITY Flow Sensors, Fume Hood Monitors, Air Flow Switches, Air Velocity Transmitters, Humidity Switches, Humidity/Temperature Transmitters, Carbon Dioxide Transmitters, Gas Sensing Transmitters, Occupancy Sensors

119-192

FLOW Flowmeters (Variable Area, In-Line, Dial, Orifice Plate, Venturi & Totalizers), Flow Sensors (In-Line), Sight Flow Indicators, Flow Switches (Paddle, Thermal & Shuttle/Piston), Flow Transmitters (In-Line, Turbine, Paddlewheel, Electromagnetic & Ultrasonic), Watermeters, Mass Flowmeters/Controllers

193-238

TEMPERATURE Thermometers (Dial, Glass & Digital Solar), Thermometers with Transmitter, Temperature/Process Controllers, Panel Meters/Indicators, Temperature Switches (Limit, Digital & Mechanical), Temperature Transmitters, Temperature Sensors

239-278

LEVEL Level Indicators, Water Leak Detectors, Level Switches (Float, Optical, Displacer, Conductivity, Tilt, Capacitive, Tuning Fork, Paddle & Diaphragm), Level Transmitters (Submersible, Capacitive, Float & Ultrasonic), Level/Pump Controllers, Bin Vibrators/Aerators

279-312

PROCESS CONTROL Panel Meters/Indicators, Annunciators/Alarm Modules, Signal Conditioners/Isolating Transmitters, Relays, Current Transformers/Switches, Signal Converters, Power Supplies, Power Supplies/Transformers, Fan Speed Controls, Intrinsically Safe Barriers, Timers, Timer Controllers, Particulate (Dust or Broken Bag) Transmitters/Sensors, Vibration Controls, Control Enclosures

313-358

TEST & DATA Manometers (Portable & Air Velocity), Pitot Tubes, Air Flow Grids, Vane Anemometers, Wind Meters, Vane Thermo-Anemometers, Thermo-Anemometers, Air Flow Hood, HVAC Balancing Instruments, Thermo-Hygrometers, Gas Analyzers/Kits, Signal Generators/Multimeters, Calibration Pumps, Pressure Calibrators, Data Loggers (Single Pressure, Indicating, Temperature, USB & Wireless), Chart Records

359-426

VALVES Valves (Ball, Butterfly, Globe, Angle Seat, Solenoid, Diaphragm Pulse, Check & Needle), Actuators, Strainers, Manifolds, Position Indicators/Switches/Transmitters, Current to Pressure Transducers, Positioners, Volume Booster, Regulators

427-447

ACCESSORIES Filters, Siphons/Cooling Extensions, Gage Guards/Pressure Snubbers, Fittings (Stainless Steel & Nylon), Pneumatic (Valves & Fittings), Gage Tubing, Static Pressure Sensors, Miscellaneous Accessories

448-456

TECH GUIDE Glossary, HVAC Mobile Application, Understanding Pressure Sensor Accuracy, Reference Tables, Trademark Acknowledgments

457-474

INDEX Detailed Product Index by Series or Model Number and Category

NEW PRODUCTS

DIFFERENTIAL PRESSURE TRANSMITTER ± 0.25 , ± 1 , OR $\pm 2\%$ ACCURACY SERIES 616KD

- Simple calibration push-button sets back zero and span; saving time installing and over the service life
- Cost effective and compact device suitable for OEM applications where space, simplicity, and value are key
- Ranges and accuracy selection cover a wide range of applications minimizing components and standardizing on design



PAGE 42

CARBON MONOXIDE/NITROGEN DIOXIDE GAS TRANSMITTER SERIES GSTC

- Industrial grade replaceable CO or NO₂ sensors
- Field selectable BACnet or Modbus[®] communication
- Integral LCD display option
- Service display tool for set-up and calibration of models without a LCD



PAGE 117

ULTRASONIC ENERGY METER SERIES TUF

- Lower maintenance costs with local parameter display and no moving parts
- Serial communication output allows for easy transfer of data
- Flow and temperature monitor in one unit eliminate the need for multiple units



PAGE 185

TEMPERATURE/PROCESS LOOP CONTROLLERS SERIES 16G, 8G, and 4G

- On/off, PID, fuzzy logic, or manual output control
- Constant, sloped program (ramp/soak), or remote set-point control
- 2 primary control outputs, 2 secondary/alarm relay outputs, and RS-485 standard on all models
- Options for remote set-point, input retransmission, or event input functions available with optional hardware



PAGES 206-207

NEW PRODUCTS

PARTICULATE TRANSMITTER

SERIES PMT2

- Simple 2-wire installation for PLC and control panels
- Non-stick PTFE coated probe to prevent false readings from moist and conductive dusts, corrosive gases, condensate, and dust buildup
- Repeatable in all applications (conductive or moist processes)
- Remote zero calibration helps to decrease maintenance time



PAGE 307

HANDHELD DIGITAL MANOMETER

SERIES 477AV

- Calculates and displays air velocity and volumetric air flow
- Rugged aluminum case protects instrument from damage during transport/use
- 9 selectable English and metric engineering units
- Large, easy to read display with backlight for use in dark areas
- Stores up to 40 readings with minimum, maximum and average statistics



PAGE 322

UNIVERSAL HANDHELD TEST INSTRUMENT

MODEL UHH2

- Rugged weatherproof housing withstands 1.5 meter drop test
- Wireless measurement of pressure, air velocity, air flow, temperature, and humidity
- Share logged data directly from handheld over Wi-Fi, GSM or CDMA networks



PAGE 340

BUTTERFLY VALVE

SERIES WE20

- Machined flats attach disc/stem - no pins
- Phenolic backed cartridge seat design for extended service and ease of replacement
- Extended neck for insulation - no fabricated extensions required
- Capable of being configured to fit any application
- Limit switches can be mounted to manual valves for remote monitoring



PAGES 388-389

NEW PRODUCTS



SERIES 616KD

DIFFERENTIAL PRESSURE TRANSMITTER
±0.25, ±1, OR ±2% ACCURACY

PAGE 42



SERIES IWP

INDUSTRIAL WEATHERPROOF
PRESSURE TRANSMITTER

PAGE 89



SERIES GSTC

CARBON MONOXIDE/NITROGEN DIOXIDE
GAS TRANSMITTER

PAGE 117



SERIES TUF

ULTRASONIC ENERGY METER

PAGE 185



SERIES 16G, 8G, and 4G

TEMPERATURE/PROCESS
LOOP CONTROLLERS

PAGES 206-207



SERIES BTT

TEMPERATURE TRANSMITTER

PAGE 218



SERIES MBLT

MINIATURE SUBMERSIBLE
LEVEL TRANSMITTER

PAGE 267



SERIES APT

AC POWER TRANSFORMERS

PAGES 296-297



SERIES PMT2

PARTICULATE TRANSMITTER

PAGE 307

NEW PRODUCTS



SERIES CSE-3R
GALVANNEALED STEEL ENCLOSURE

PAGE 310



SERIES CSE-KN
CARBON STEEL ENCLOSURE
WITH KNOCKOUTS

PAGE 311



SERIES CSE-N1
CARBON STEEL ENCLOSURE

PAGE 311



SERIES SSE
STAINLESS STEEL ENCLOSURE

PAGE 312



SERIES 477AV
HANDHELD DIGITAL MANOMETER

PAGE 322



SERIES 477B
HANDHELD DIGITAL MANOMETER

PAGE 323



SERIES 490A
WET/WET HANDHELD DIGITAL
MANOMETER

PAGE 325



MODEL VT-300
MINIATURE VANE
THERMO-ANEMOMETER

PAGE 337



MODEL UHH2
UNIVERSAL HANDHELD
TEST INSTRUMENT

PAGE 340

NEW PRODUCTS



SERIES AQIA
AIR QUALITY
TEST INSTRUMENT KITS

PAGE 341



MOBILE METER® SOFTWARE
TEST INSTRUMENT APP

PAGE 342



SERIES WE05
3-PIECE SOCKET WELD
STAINLESS STEEL BALL VALVE

PAGES 370-371



SERIES WE06
3-PIECE NPT STAINLESS STEEL
V-BALL VALVE

PAGES 372-373



SERIES WE07
2-PIECE FLANGED STAINLESS STEEL
V-BALL VALVE

PAGES 374-375



SERIES SMV2
MINI STAINLESS STEEL
BALL VALVE

PAGE 378



SERIES WE20
BUTTERFLY VALVE

PAGES 388-389



SERIES SYS
STAINLESS STEEL
Y-STRAINER

PAGE 408

TYPICAL APPLICATIONS
pages 2-3



Differential Pressure Gages
pages 4-11, 15-17



Manometers, Stationary
pages 12-14




Differential Pressure Gages/Switches, Digital
pages 18-21



Differential Pressure Gages/Switches, Dial
pages 22-28



Differential Pressure Switches
pages 29-41



Differential Pressure Transmitters, Air & Gas
pages 42-53




Differential Pressure Transmitters, Liquid & Gas
pages 54-60



Single Pressure Gages, Dial
pages 61-66



Single Pressure Gages, Digital
pages 67-70



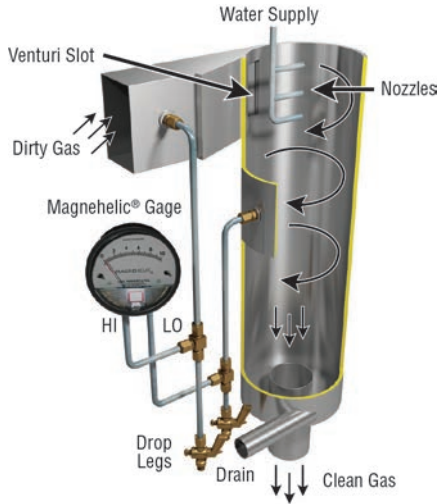
Single Pressure Gages/Switches/Transmitters, Digital
pages 71-73



Single Pressure Switches
pages 74-82

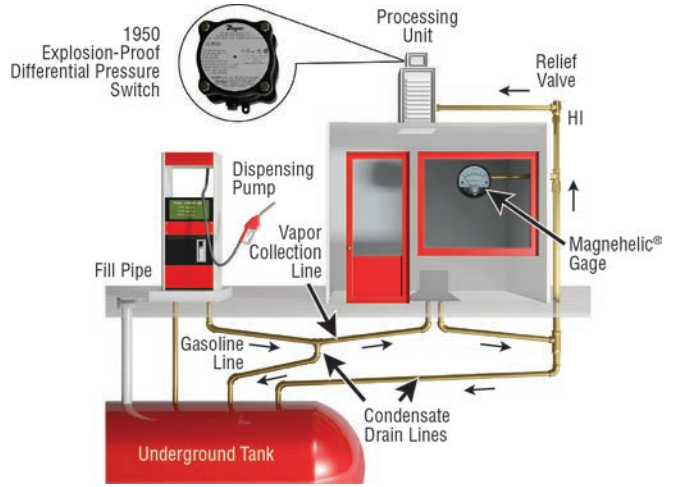


Single Pressure Transmitters
pages 83-92



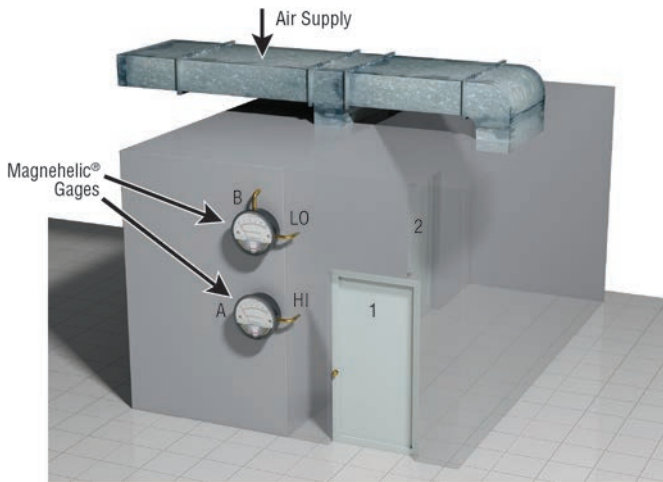
Differential pressure gage assists operator in adjusting venturi pressure drop in dust scrubber.

This scrubber design removes unwanted dust or particulate matter from air or gas using an adjustable throat venturi. To adjust the pressure drop across the venturi, a jack-screw-actuated sliding vane varies the slot width. A permanently mounted Dwyer® Magnehelic® differential pressure gage indicates the venturi pressure drop while the operator adjusts to the desired or design setting. Where water may possibly enter the gage sensing lines, as in this application, drop legs with drain valves are needed to permit draining the lines at their lowest point. Good engineering practice dictates that the Magnehelic® gage always be mounted above the sensing tap when possible to prevent moisture accumulation in the lines and gage. At minimum, mount the gage above the lowest point in the sensing lines.



Gasoline vapor recovery system.

Some area pollution control agencies require that 90% or more of gasoline vapor vented at service stations when fuel is dispensed must be prevented from venting to atmosphere. Using a dual hose dispenser, this vapor recovery system is a vacuum assist, vapor burnoff type. The blower creates a low vacuum at the nozzle, routing vapor from the automobile tank to underground storage tanks. As uncondensed vapor pressure reaches 2 in to 3 in w.c. pressure, a Dwyer 1950 Series explosion-proof differential pressure switch activates a rooftop burnoff unit, which ignites excess vapor. The Magnehelic® differential pressure gage mounted on the station wall monitors tank pressure to verify system operation. The gage is calibrated in inches of gasoline, from +6 to -2. This allows the operator to determine the necessary level correction due to tank pressure prior to dipsticking the tanks through the fill pipe.



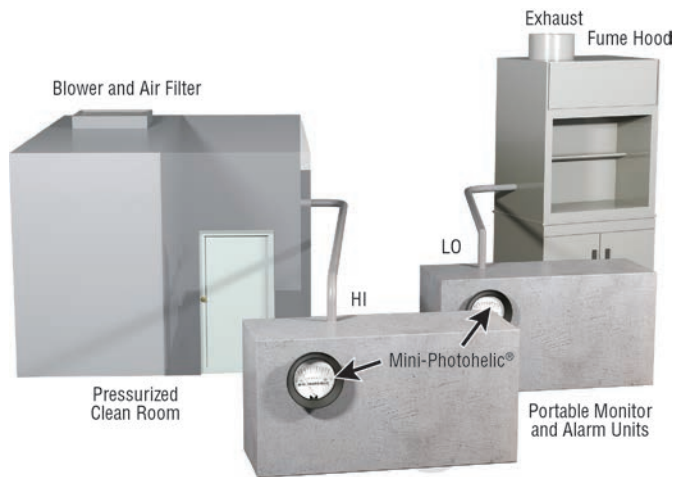
Dwyer® gages indicate pressurization of special rooms.

A zero-center Dwyer® Magnehelic® differential pressure gage with an 0.25 in w.c. range either side of zero makes an effective monitor for proper operation of room pressurization systems. In the example, differential gage B has its high pressure port open to room 2 and its low pressure port to room 1; gage A has its high pressure port open to room 1 and its low pressure port open to the atmosphere. With the makeup air supply damper adjusted properly, room 2 will be a higher pressure than room 1 which is at higher than atmospheric pressure; both gages will read positive. Should the air supply to room 2 be obstructed, gage B will read negative. If the air supply fails entirely, both gages will read zero. For even better security, a Photohelic® switch/gage will provide automatic alarm or start-up of a backup system.



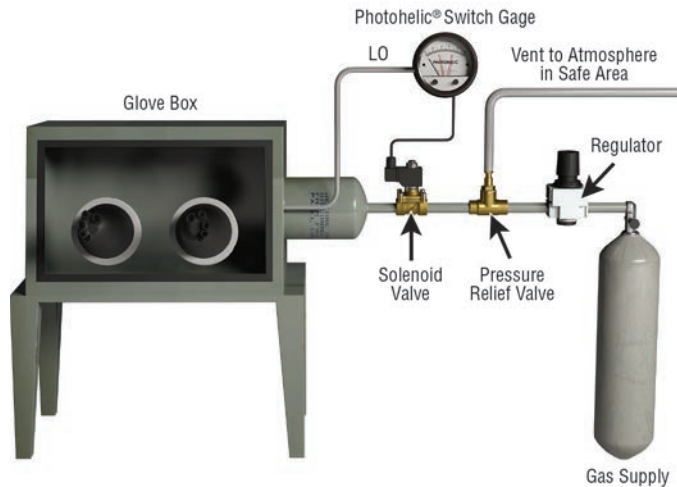
Filling scuba diver air tanks.

The Dwyer® Series DPG with oxygen cleaning and 5000 psi range is used in gas blending applications for filling scuba diver's air tanks. The DPG is the master mixing gage in this manifold apparatus. Two or three gases may be blended with the manifold to produce the appropriate blend of breathable gas depending on the diver and the depths they will reach. With the flow adjustment knobs and the 0.25% full scale accuracy DPG, precise tank charging rates are maintained.



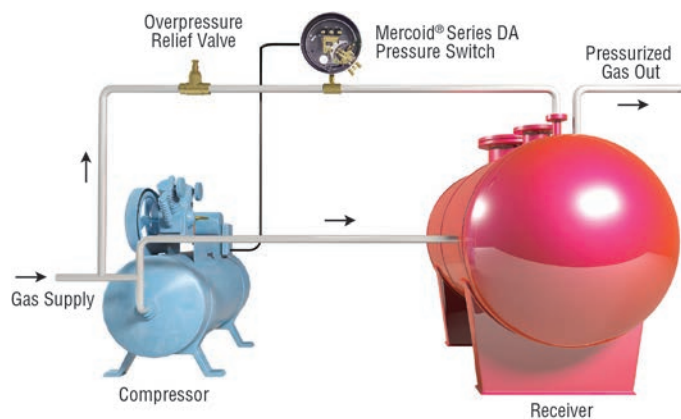
Compact switch/gage monitors pressure, actuates alarm.

This portable pressure monitor alarm utilizes a Dwyer® Mini-Photohelic® differential pressure switch/gage to monitor either positive pressure, as in a clean room, or negative pressure, as in a fume or paint spray hood. It sounds an alarm, both audible and visual, when pressure exceeds either a preset high or low limit. The unit can be used temporarily to verify proper operation after initial installation. Or it can be mounted permanently for continuous monitoring. In applications where a single fixed alarm pressure level is sufficient, a differential pressure switch can be used instead.



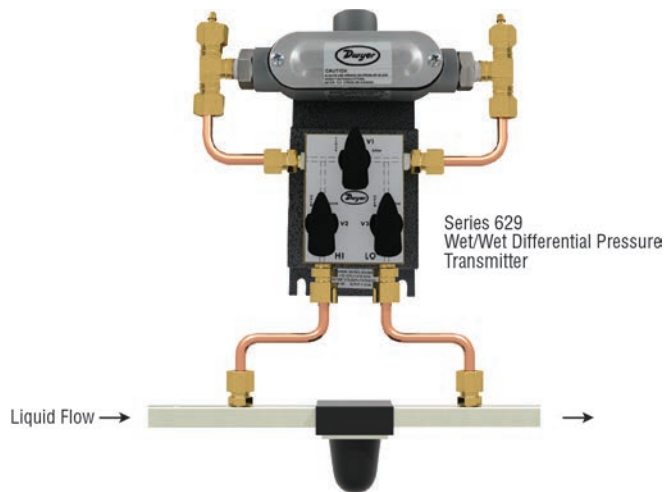
Zero-center switch/gage controls the inert atmosphere in glove box.

A controlled inert atmosphere “glove-box” is used in the fields of physical chemistry and metallurgy for handling and welding special or hazardous materials. A Dwyer® Photohelic® differential pressure switch/gage serves as an automatic and readily adjustable pressure control for the helium, argon or nitrogen gas used in the system. The box is first evacuated, then pressurized with the required gas. Therefore, a zero-center Photohelic® switch/gage is used, permitting both pressure and vacuum to be read and controlled by a single gage. Use of the low pressure gage connection (rear chamber of gage) and a Buna-N diaphragm is suggested to minimize leaks from or to the atmosphere.



Mercoid® Series DA pressure switch maintains desired gas pressure in tank.

Demand for compressed gas varies in this gas line. So a Mercoid® Series DA adjustable deadband pressure switch is included to turn the compressor on at low pressure and off when the maximum pressure is reached.



Three-valve manifold simplifies installation of wet/wet differential pressure transmitter.

When using differential pressure transmitters in fluid applications, it is essential to periodically make sure that there is no air in the system, as this can cause erroneous readings. Unfortunately, the necessary three-valve bleed system is often expensive and large, making installation difficult and bulky. For this reason, Dwyer Instruments, Inc. offers the 3V option on all 629 Wet/Wet Differential Pressure Transmitters. This compact, lightweight, and economical bleed manifold is shipped factory-installed on the 629, eliminating the hassle of constructing a custom apparatus. The 629, when combined with the three-valve option, makes for an ideal setup to monitor hydraulic filter clogging or other fluid pressure sensing applications.

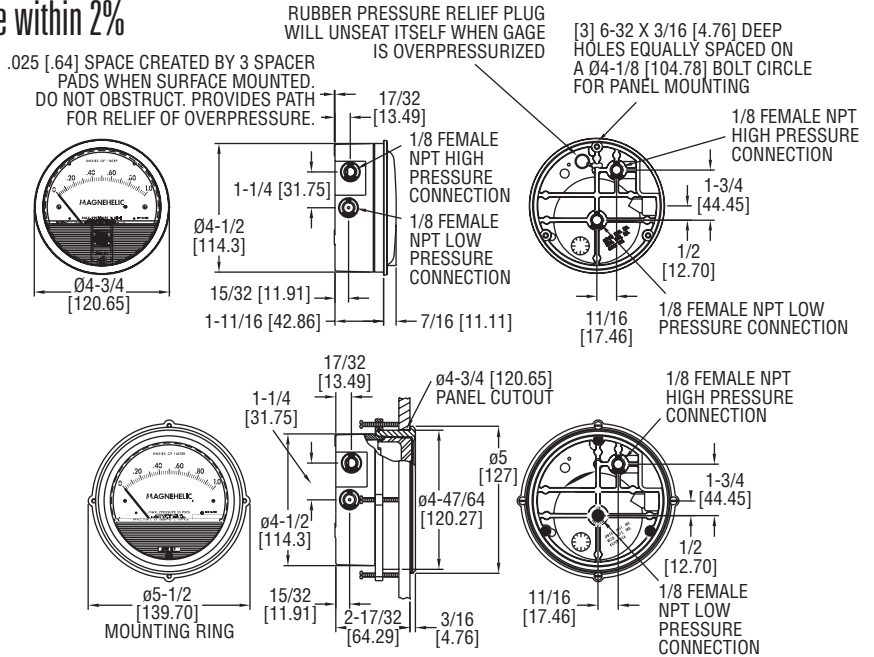


MAGNEHELIC® DIFFERENTIAL PRESSURE GAGES

Indicate Positive, Negative or Differential, Accurate within 2%



Scan here to watch product video



Select the **SERIES 2000** Magnehelic® Gage for high accuracy--guaranteed within 2% of full scale--and for the wide choice of 81 models available to suit your needs precisely. Using Dwyer's simple, frictionless Magnehelic® gage movement, it quickly indicates low air or non-corrosive gas pressures--either positive, negative (vacuum) or differential. The design resists shock, vibration and over-pressures.

FEATURES/BENEFITS

- Easy to read gage through undistorted plastic face permits viewing from far away
- Patented design provides quick response to pressure changes means no delay in assessing critical situations
- Durable and rugged housing and high-quality components combine to provide long-service life and minimized down-time

APPLICATIONS

- Filter monitoring
- Air velocity with Dwyer pitot tube
- Blower vacuum monitoring
- Fan pressure indication
- Duct, room or building pressures
- Clean room positive pressure indication

SPECIFICATIONS

Service: Air and non-combustible, compatible gases (natural gas option available). Note: May be used with hydrogen. Order a Buna-N diaphragm. Pressures must be less than 35 psi.

Wetted Materials: Consult factory.

Housing: Die cast aluminum case and bezel, with acrylic cover. Exterior finish is coated gray to withstand 168 hour salt spray corrosion test.

Accuracy: ±2% of FS (±3% on -0, -100PA, -125PA, -10MM and ±4% on -00, -60PA, -6MM ranges), throughout range at 70°F (21.1°C).

Pressure Limits: -20 in Hg to 15 psig† (-0.677 to 1.034 bar); MP option: 35 psig (2.41 bar); HP option: 80 psig (5.52 bar).

Overpressure: Relief plug opens at approximately 25 psig (1.72 bar), standard gages only. **ⓘ**

Temperature Limits: 20 to 140°F* (-6.67 to 60°C). -20°F (-28°C) with low temperature option.

Size: 4" (101.6 mm) diameter dial face.

Mounting Orientation: Diaphragm in vertical position. Consult factory for other position orientations.

Process Connections: 1/8" female NPT duplicate high and low pressure taps - one pair side and one pair back.

Weight: 1 lb 2 oz (510 g), MP & HP 2 lb 2 oz (963 g).

Standard Accessories: Two 1/8" NPT plugs for duplicate pressure taps, two 1/8" pipe thread to rubber tubing adapter, and three flush mounting adapters with screws. (Mounting and snap ring retainer substituted for three adapters in MP & HP gage accessories.)

Agency Approvals: Meets the technical requirements of EU Directive 2011/65/EU (RoHS II). Note: -SP models not RoHS approved.

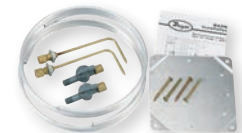
Note: For applications with high cycle rate within gage total pressure rating, next higher rating is recommended. See Medium and High pressure options.

*Low temperature models available as special options.

ACCESSORIES	
Model	Description
A-432	Portable kit; combine carrying case with any Magnehelic® gage of standard range, except high pressure connection. Includes 9 ft (2.7 m) of 3/16" ID rubber tubing, standhang bracket and terminal tube with holder
A-605	Air filter gage accessory kit; adapts any standard Magnehelic® gage for use as an air filter gage. Includes aluminum surface mounting bracket with screws, two 5 ft (1.5 m) lengths of 1/4" aluminum tubing, two static pressure tips and two molded plastic vent valves, integral compression fittings on both tips and valves
A-605B	Air filter gage accessory kit; air filter kit with two plastic open/close valves, two 4" steel static tips, plastic tubing and mounting flange
A-605C	Air filter gage accessory kit; air filter kit with two plastic open/close valves, two plastic static tips, plastic tubing and mounting flange



A-432



A-605

ⓘ Over Protection Note: See page 5 (Series 2000)

MAGNEHELIC® DIFFERENTIAL PRESSURE GAGES

Indicate Positive, Negative or Differential, Accurate within 2%

Bezel provides flange for flush mounting in panel.

Clear plastic face is highly resistant to breakage. Provides undistorted viewing of pointer and scale.

Precision litho-printed scale is accurate and easy to read.

Calibrated range spring is flat spring steel. Small amplitude of motion assures consistency and long life. It reacts to pressure on diaphragm. Live length adjustable for calibration.

Red tipped pointer of heat treated aluminum tubing is easy to see. It is rigidly mounted on the helix shaft.

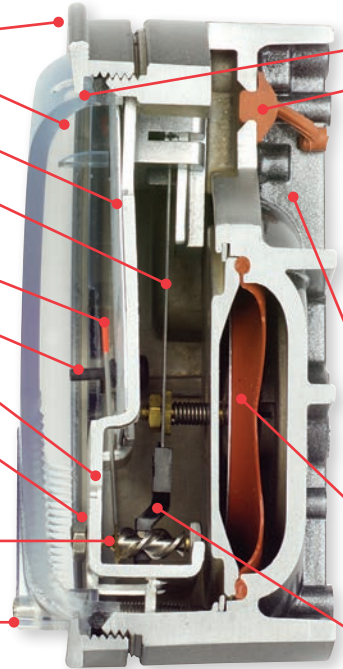
Pointer stops of molded rubber prevent pointer over-travel without damage.

“Wishbone” assembly provides mounting for helix, helix bearings and pointer shaft.

Jeweled bearings are shock-resistant mounted; provide virtually friction-free motion for helix. Motion damped with high viscosity silicone fluid.

Helix is precision made from an alloy of high magnetic permeability. Mounted in jeweled bearings, it turns freely, following the magnetic field to move the pointer across the scale.

Zero adjustment screw is conveniently located in the plastic cover, and is accessible without removing cover. O-ring seal provides pressure tightness.



O-ring seal for cover assures pressure integrity of case.

OVERPRESSURE PROTECTION

Blowout plug is comprised of a rubber plug on the rear which functions as a relief valve by unseating and venting the gage interior when over pressure reaches approximately 25 psig (1.7 bar). To provide a free path for pressure relief, there are four spacer pads which maintain 0.023” clearance when gage is surface mounted. Do not obstruct the gap created by these pads.

The blowout plug is not used on models above 180” of water pressure, medium or high pressure models, or on gages which require an elastomer other than silicone for the diaphragm.

The blowout plug should not be used as a system overpressure control. High supply pressures may still cause the gage to fail due to over pressurization, resulting in property damage or serious injury. Good engineering practices should be utilized to prevent your system from exceeding the ratings of any component.

Die cast aluminum case is precision made and iridite-dipped to withstand 168 hour salt spray corrosion test. Exterior finished in baked dark gray hammerloid. One case size is used for all standard pressure options, and for both surface and flush mounting.

Silicone rubber diaphragm with integrally molded O-ring is supported by front and rear plates. It is locked and sealed in position with a sealing plate and retaining ring. Diaphragm motion is restricted to prevent damage due to overpressures.

Samarium Cobalt magnet mounted at one end of range spring rotates helix without mechanical linkages.

MODEL CHART

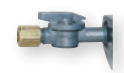
Model	Range, Inches of Water	Model	Range, PSI	Model	Range, MM of Water	Model	Range, kPa	Dual Scale Air Velocity Units For use with pitot tube
2000-00N†**	0.05-0-.2	2201	0-1	2000-6MM†**	0-6	2000-0.5KPA	0-0.5	Range, in w.c./ Velocity F.P.M.
2000-00†**	0-.25	2202	0-2	2000-10MM†*	0-10	2000-1KPA	0-1	
2000-0†*	0-.50	2203	0-3	2000-15MM	0-15	2000-1.5KPA	0-1.5	Model
2001	0-1.0	2204	0-4	2000-25MM	0-25	2000-2KPA	0-2	
2002	0-2.0	2205	0-5	2000-30MM	0-30	2000-2.5KPA	0-2.5	2000-0AV†*
2003	0-3.0	2210*	0-10	2000-50MM	0-50	2000-3KPA	0-3	
2004	0-4.0	2215*	0-15	2000-80MM	0-80	2000-4KPA	0-4	2002AV
2005	0-5.0	2220*	0-20	2000-100MM	0-100	2000-5KPA	0-5	
2006	0-6.0	2230**	0-30	2000-125MM	0-125	2000-8KPA	0-8	2010AV
2008	0-8.0	Model	Range, CM of Water	2000-150MM	0-150	2000-10KPA	0-10	
2010	0-10			2000-200MM	0-200	2000-15KPA	0-15	0-0.50/ 500-2800
2012	0-12	2000-250MM	0-250	2000-20KPA	0-20	2000-5KPA	0-1.0/ 500-4000	
2015	0-15	2000-300MM	0-300	2000-25KPA	0-25		2000-8KPA	0-8
2020	0-20	2000-15CM	0-15	Zero Center Ranges		2000-10KPA	0-10	0-5.0/ 2000-8800
2025	0-25	2000-20CM	0-20	2300-6MM†**	3-0-3	2000-15KPA	0-15	
2030	0-30	2000-25CM	0-25	2300-10MM†*	5-0-5	2000-20KPA	0-20	2000-30KPA
2040	0-40	2000-50CM	0-50	2300-20MM†*	10-0-10	2000-25KPA	0-25	
2050	0-50	2000-80CM	0-80	Model	Range, Pa	2000-30KPA	0-30	2300-1KPA 5-0-.5
2060	0-60	2000-100CM	0-100	2000-60NPA†**	10-0-50	2300-2KPA	1-0-1	
2080	0-80	2000-150CM	0-150	2000-60PA†**	0-60	2300-3KPA	1.5-0-1.5	Dual Scale English/Metric Models
2100	0-100	2000-200CM	0-200	2000-100PA†*	0-100	Model	Range, in w.c.	
2120	0-120	2000-250CM	0-250	2000-125PA†*	0-125	2000-00D†**	0-25	0-62 Pa
2150	0-150	2000-300CM	0-300	2000-250PA	0-250	2000-0D†*	0-0.5	
2160	0-160	Zero Center Ranges		2000-300PA	0-300	2001D	0-1.0	0-250 Pa
2180*	0-180	2300-4CM	2-0-2	2000-500PA	0-500	2002D	0-2.0	
2250*	0-250	2300-10CM	5-0-5	2000-750PA	0-750	2003D	0-3.0	0-750 Pa
Zero Center Ranges		2300-30CM	15-0-15	2000-1000PA	0-1000	2004D	0-4.0	
2300-00†**	0.125-0-0.125	Zero Center Ranges		Zero Center Ranges		2005D	0-5.0	0-1.25 kPa
2300-0†*	.25-0-.25	Model	Range, Pa	Model	Range, Pa	2006D	0-6.0	
2301	.5-0-.5	2300-60PA†**	30-0-30	2300-100PA†*	50-0-50	2008D	0-8.0	0-2.0 kPa
2302	1-0-1	2300-120PA	60-0-60	2300-200PA	100-0-100	2010D	0-10	
2304	2-0-2	2300-250PA	125-0-125	2300-500PA	250-0-250	2015D	0-15	0-3.7 kPa
2310	5-0-5	2300-1000PA	500-0-500	2300-1000PA	500-0-500	2020D	0-20	
2320	10-0-10	Zero Center Ranges		Zero Center Ranges		2025D	0-25	0-6.2 kPa
2330	15-0-15	Model	Range, Pa	Model	Range, Pa	2050D	0-50	
		2300-60PA†**	30-0-30	2300-100PA†*	50-0-50	2060D	0-60	0-15 kPa
		2300-120PA	60-0-60	2300-200PA	100-0-100			
		2300-250PA	125-0-125	2300-500PA	250-0-250			
		2300-500PA	250-0-250	2300-1000PA	500-0-500			

VELOCITY AND VOLUMETRIC FLOW UNITS

Scales are available on the Magnehelic® that read in velocity units (FPM, m/s) or volumetric flow units (SCFM, m³/s, m³/h). Stocked velocity units with dual range scales in inches w.c. and feet per minute are shown above. For other ranges contact the factory. When ordering volumetric flow scales please specify the maximum flow rate and its corresponding pressure. Example: 0.5 in w.c. = 16,000 CFM.

ACCESSORIES

Model	Description
A-321	Safety relief valve
A-448	3-piece magnet kit for mounting Magnehelic® gage directly to magnetic surface
A-135	Rubber gasket for panel mounting
A-401	Plastic carry case
A-310A	3-way vent valves. In applications where pressure is continuous and the Magnehelic® gage is connected by metal or plastic tubing which cannot be easily removed, we suggest using Dwyer A-310A vent valves to connect gage. Pressure can then be removed to check or re-zero the gage.



A-310A

Differential Pressure Gages



MAGNEHELIC® GAGE OPTIONS



LED Setpoint Indicator



Adjustable Signal Flag



Transparent Overlay



Mirrored Scale Overlay



Integrated Mounting Plate



OPTION - LED Setpoint Indicator	
To order add suffix:	Description
-SP	Bright red LED on right scale shows when setpoint is reached. Field adjustable from gage face, unit operates on 12-24 VDC. Setpoint indicator option comes with medium pressure (MP) bezel.
Note: 4-13/16" hole for flush mounting.	

OPTION - Adjustable Signal Flag	
To order add suffix:	Description
-ASF	Integral with plastic gage cover. Available for most models except those with medium or high pressure construction. Can be ordered with gage or separate.

OPTIONS - Transparent Overlays	
To order add suffix:	Description
-R	Red (to highlight and emphasize critical pressures)
-Y	Yellow (to highlight and emphasize critical pressures)
-G	Green (to highlight and emphasize critical pressures)

OPTION - Mirrored Scale Overlay	
To order add suffix:	Description
-M	A mirrored scale overlay is also available to assist in reducing parallax error.

OPTIONS - Integrated Mounting Plate	
To order add suffix:	Description
-AHU1	Furnished with attached surface mounting plate
-AHU2	Furnished with attached surface mounting plate and including A-481 installer kit (2 plastic static pressure tips and 7 of PVC tubing)

OPTIONS - For High State Pressure Applications	
To order add suffix:	Description
-MP	Medium Pressure Option: For pressures to 35 psig
-HP	High Pressure Option: For pressures to 80 psig

OPTIONS - Optional Bezels	
To order add suffix:	Description
-SB	Stainless Steel Bezel Option: 304 stainless steel electro polished Ra 16 finished bezel.
-CB	Chrome Bezel Option: A chrome plated aluminum bezel for an aesthetically pleasing finish when mounting on metal surfaces such as control panels.

OPTIONS	
To order add suffix:	Description
-LT	Low temperatures to -20°F (-28°C)
-NIST	NIST traceable calibration certificate
-FC	Factory calibration certificate

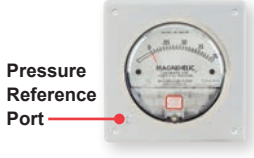
MAGNEHELIC® GAGE MOUNTING ACCESSORIES



A-610

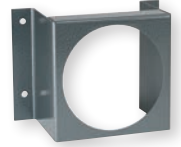


A-369



Pressure Reference Port

A-464



A-299



A-286



A-300



A-368



A-371

A single case size is used for most models of Magnehelic® gages. They can be flush or surface mounted with standard hardware supplied. Complete mounting and connection fittings plus instructions are furnished with each instrument. A 4-9/16" hole is required for flush panel mounting.

Flush mounting is easily accomplished with the new A-300 Flush Mounting bracket. This bracket provides a solution to quickly and conveniently flush mount the Magnehelic®. The A-300 is ideal for mounting the Magnehelic® on control panel doors. The A-368 is a simple bracket for quickly surface mounting the Magnehelic® gage. After securing the Magnehelic® to the A-368 bracket, mount the bracket on any flat surface.

The A-369 allows the Magnehelic® to be easily carried to locations where pressure readings need to be taken. The A-369 can stand on its own or hang on a nail or hook.

ACCESSORIES	
Model	Description
A-610	Pipe mounting kit for installing on 1-1/4" to 2" horizontal or vertical pipe
A-286	Magnehelic® gage panel mounting flange
A-369	Stand-hang bracket, aluminum, for Magnehelic® gage
A-300	Flush mounting bracket
A-464	Flush mount kit for Magnehelic® gage
A-368	Surface mounting plate, aluminum, for Magnehelic® gage
A-299	Mounting bracket, flush mount for Magnehelic® gage, bracket is then surface mounted, steel with gray hammerloid epoxy finish
A-371	Surface mounting bracket, use with medium pressure (-MP) or high pressure (-HP) models only

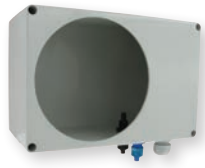
INSTRUMENT ENCLOSURE Protects Various Instruments



A-320-A



A-320-A With Gage Installed



A-320-B



A-320-B With Gage Installed

SERIES A-320 Instrument Enclosure protects instruments in all applications. The A-320-A fits standard Magnehelic® size instruments (4-9/16" diameter) and the A-320-B fits standard 3000MR Photohelic® switch/gage size instruments (4-13/16" diameter). Both models include silicone tubing, gage barbs and mounting hardware.

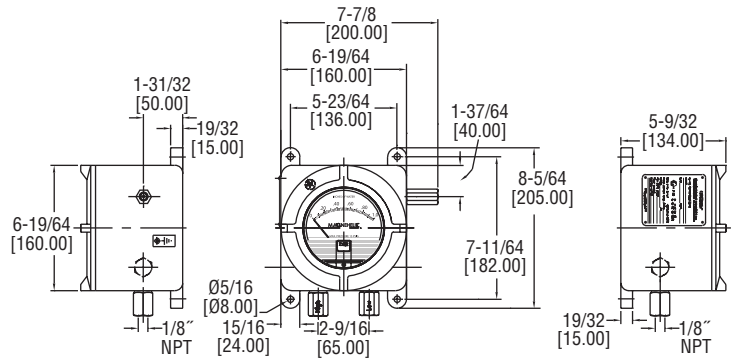
MODEL CHART	
Model	Compatible Instruments
A-320-A	2000 Magnehelic® Gage, DM-1000 Digital Differential Pressure Gage, DM-2000 Differential Pressure Transmitter
A-320-B	3000MR Photohelic® Switch/Gage, Series 605 Magnehelic® Differential Pressure Transmitter, DH3 Digihelic® Pressure Controller, 2000 Magnehelic® Gage with medium and high pressure options

SPECIFICATIONS	
Housing: ABS.	
Process Connections: Anodized aluminum.	
Enclosure Rating: NEMA 1 (IP10). Note: Check instruments rating.	
Weight: Model A-320-A: 11.29 oz (320 g); A-320-B: 16.23 oz (420 g).	
Gage Size Opening: A-320-A: 4-9/16 in (115.89 mm); A-320-B: 4-13/16 in (122.24 mm).	



ATEX APPROVED SERIES 2000 MAGNEHELIC® DIFFERENTIAL PRESSURE GAGE

Magnehelic® Gage in Flame-Proof ATEX Enclosure



The popular **SERIES AT22000** Magnehelic® Differential Pressure Gage is now available in a flame-proof ATEX enclosure with the new ATEX approved AT22000 Series. This gage can indicate positive, negative or differential pressures and is accurate within 2%.

FEATURES/BENEFITS

- ATEX housing provides all the capabilities and value of the Magnehelic® in a flame & explosion proof enclosure
- Quick response to pressure changes means no delay in assessing critical situations
- Durable and rugged housing and high-quality components combined provides long-service life and minimized down-time
- High impact strength and high temperature rated for applications where hazardous environments exist

APPLICATIONS

- Fan and blower pressures
- Filter resistance
- Air velocity
- Furnace draft
- Liquid levels with bubbler systems
- Pressure in fluid amplifier or fluidic systems

Attention: Check local safety rules and warnings on unit and manual for a correct use of the instrument in hazardous area.

RANGE CHART					
Model	Range in w.c.	Model	Range in w.c.	Model	Range in w.c.
2000-00N	.05 to 0 to .2	2006	0 to 6.0	2040	0 to 40
2000-00	0 to .25	2008	0 to 8.0	2050	0 to 50
2000-0	0 to .50	2010	0 to 10	2060	0 to 60
2001	0 to 1.0	2012	0 to 12	2080	0 to 80
2002	0 to 2.0	2015	0 to 15	2100	0 to 100
2003	0 to 3.0	2020	0 to 20	2120	0 to 120
2004	0 to 4.0	2025	0 to 25	2150	0 to 150
2005	0 to 5.0	2030	0 to 30	2160	0 to 160

MODEL CHART										
Example	AT2	2001	-X	X	-A	O	1	X	T2	AT22001-XX-AO1XT2
Housing	AT2									ATEX Approved Series 2000 Magnehelic® Differential Pressure Gage
Range		2XXX								Specify range by using Magnehelic® model number. See range chart.
Pressure Rating			X MP HP							Standard from -20 in Hg to 15 psig static pressure Medium pressure-max. static 35 psig High pressure-max. static 80 psig
Temperature Rating				X LT						Standard temperature limits -6.67 to 60°C Low temperature limit to -28.8°C
Housing Material					A					Aluminum
Cover						O				Glass cover
Process Connection							1 2			1/8" NPT female brass ports 1/8" NPT female SS ports
Overpressure Plug								X OPV		Standard without overpressure relief valve Overpressure relief valve Material same as ports
Tag									T2	SS information label

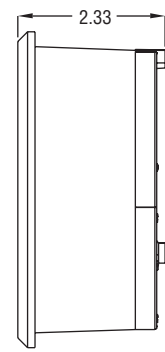
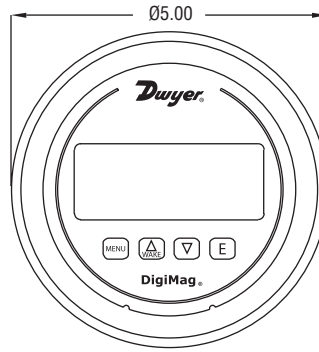
For other engineering unit ranges contact the factory.

SPECIFICATIONS

- Service:** Air and non-combustible, compatible gases.
- Wetted Materials:** Consult factory.
- Magnehelic® Housing:** Die cast aluminum case & bezel with acrylic cover; Exterior finish is coated gray to withstand 168 hour salt spray corrosion test.
- Housing Material:** Aluminum.
- Finishing:** Texture epoxy coat RAL7038.
- Accuracy:** ±2% of FS (±3% on -0, -100PA, -125PA, -10MM and ±4% on -00, -60PA, -6MM ranges), throughout range at 70°F (21.1°C).
- Pressure Limits:** -20 in Hg to 15 psig (-0.677 bar to 1.034 bar); MP option; 35 psig (2.41 bar), HP option; 80 psig (5.52 bar).
- Overpressure:** Relief plug opens at approximately 25 psig (1.72 bar), standard gages only. **!**
- Temperature Limits:** 20 to 140°F (-6.67 to 60°C); Low temperature option: -20°F (-28.8°C); Case: -76 to 140°F (-60 to 60°C) (**Note:** Product temperature limits are less than case limits).
- Mounting Orientation:** Diaphragm in vertical position.
- Enclosure Rating:** IP66. IP65 with option OPV, overpressure relief valve.
- Process Connections:** 1/8" NPT female brass (SS optional). In presence of acetylene it is necessary to use SS.
- Weight:** 8.6 lb (3.9 kg).
- ATEX Approved Product from Comhas with ECN:** BVI 14ATEX0072.
- Agency Approvals:** CE 1370 II2 GD Ex d IIC Gb T6; -60°C ≤ Ta ≤ +60°C Ex tb IIIC Db T 85°C.

DIGIMAG[®] DIGITAL DIFFERENTIAL PRESSURE AND FLOW GAGES

24 Volt or Battery Powered, Fits in Magnehelic[®] Gage Cut-Out



The DigiMag[®] SERIES DM-1000 Digital Differential Pressure and Flow Gages monitor the pressure of air and compatible gases just as its famous analog predecessor the Magnehelic[®] Differential Pressure Gage. All models are factory calibrated to specific ranges. The 4-digit LCD can display readings in common English and metric units so conversions are not necessary. The simplified four button operation reduces set up time and simplifies calibration with its digital push button zero and span.

FEATURES/BENEFITS

- Field programmed reduces installation time
- User selectable parameters for pressure, air velocity or flow permits same device for multiple applications
- Specialized filter set point for alerts when maintenance is due
- Security levels permit matches the correct access to right skill
- Power versatility works with 9-24 VDC or 9 V battery allows deployment in a variety of spaces wired or not

APPLICATIONS

- Filter monitoring
- Air velocity or flow
- Blower vacuum monitoring
- Fan pressure indication
- Duct, room or building pressures
- Clean room positive pressure indication

ACCESSORIES	
Model	Description
A-300	Flat flush mounting bracket
A-286	4-1/2" gage panel mounting flange
A-489	4" straight static pressure tip with flange
A-480	Plastic static pressure tip

SPECIFICATIONS	
Service:	Air and non-combustible, compatible gases.
Wetted Materials:	Consult factory.
Housing Materials:	Glass filled plastic.
Accuracy:	±1% FS including linearity, hysteresis and repeatability; ±2% FS for ranges 1 in w.c. and below.
Temperature Limits:	0 to 140°F (-18 to 60°C).
Compensated Temperature Limits:	32 to 122°F (0 to 50°C).
Long Term Stability:	±1% FS per year.
Thermal Effect:	±0.05% FS/°F typ.; ±0.10% FS/°F for ranges 1 in w.c. and below.
Display:	4-digit LCD (digits: 0.60H x 0.33W).
Display Update:	Selectable for 1 second to 10 minutes or update only from button push.
Pressure Limits:	Normal and bi-directional ranges 5 in w.c. and lower = 2 psi (13.7 kPa); Normal and bi-directional ranges 10 in w.c. and higher = 11 psi (75 KPa).
Selectable Engineering Units:	in w.c., psi, kPa, Pa, mm w.c., mBar, in Hg, mm Hg, FS (0-100%).
Power Requirements:	9 V alkaline battery, included, user replaceable or external power supply 9-24 VDC.
Battery Service Life:	Battery life depending on the display update setting: 150 hours (typical) if display update = 1 second; 9 month (typical) if display update = 10 minutes; 1.5 years (typical) if display update is disabled. Battery may last up to four times longer when using lithium-based battery ULTRALIFE U9VL-J.
Current Consumption:	5 mA max.
Electrical Connections:	Removable terminal block for 16 to 26 AWG.
Electrical Entry:	Cable gland for 0.114 to 0.250" (2.9 to 6.4 mm) diameter cable.
Process Connections:	1/8" (3 mm) ID tubing.
Enclosure Rating:	NEMA 4X (IP66).
Weight:	1.18 lb (535 g).
Size:	5" (127 mm) OD front face.
Agency Approvals:	CE.

MODEL CHART										
Model	Range									Resolution in w.c.
	in w.c.	psi	kPa	Pa	mbar	mm w.c.	in Hg	mm Hg	% of FS	
DM-1102	0.250	—	0.062	62.20	0.622	6.35	—	0.467	100.0	0.001
DM-1103	0.500	—	0.124	124.5	1.245	12.70	—	0.934	100.0	0.001
DM-1104	1.000	—	0.249	249.1	2.492	25.40	—	1.868	100.0	0.001
DM-1105	2.000	—	0.498	498.2	4.982	50.80	—	3.736	100.0	0.001
DM-1107	5.000	0.181	1.245	1245	12.45	127.0	0.368	9.34	100.0	0.002
DM-1108	10.00	0.361	2.491	2491	24.91	254.0	0.736	18.68	100.0	0.010
DM-1109	15.00	0.543	3.738	3738	37.38	381.0	1.104	28.02	100.0	0.010
DM-1110	25.00	0.903	6.227	6227	62.27	635.0	1.839	46.71	100.0	0.010
DM-1111	50.00	1.806	12.45	—	124.5	1270	3.678	93.42	100.0	0.020
DM-1112	100.0	3.613	24.91	—	249.1	2540	7.355	186.8	100.0	0.100

Contact the factory for available bi-directional ranges from ±0.25 to ±10 in w.c.
Note: For air flow models change -11XX to -12XX.

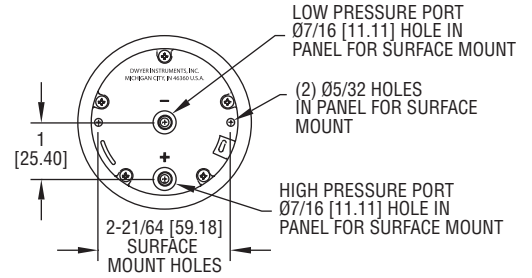
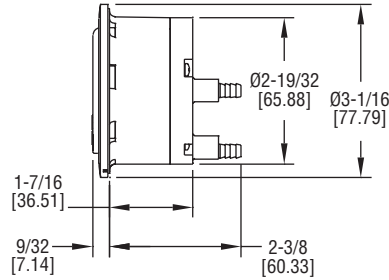
OPTION	
To order add suffix:	Description
-NIST	NIST traceable calibration certificate
Example: DM-1103-NIST	

Process Tubing Options: See page 443 (Gage Tubing Accessories)



MINIHELIC® II DIFFERENTIAL PRESSURE GAGES

Combining High Accuracy, Compactness, Dependability, and Low Cost



Combining clean design, small size and low cost with enough accuracy for all but the most demanding applications our **SERIES 2-5000** MiniHelic® II gage offers the latest in design features for a dial type differential pressure gage. It is our most compact gage but is easy to read and can safely operate at total pressures up to 30 psig.

FEATURES/BENEFITS

- Removable lens and rear-housing provides easy, cost-effective servicing
- Accuracy and value provides an excellent solution for OEM and user applications
- Durable housing materials make it well-suited for rough environments and total high pressure

APPLICATIONS

- Room positive pressure sensing
- Cabinet air-purging
- Medical respiratory equipment
- Air samplers
- Electronic air cooling systems
- Laminar flow hoods
- Local indication on filter status
- Face velocity on fume hood
- Duct pressures

SPECIFICATIONS

Service: Air and compatible gases.

Wetted Materials: Consult factory.

Housing: Glass filled nylon; acrylic lens.

Accuracy: $\pm 5\%$ of FS at 70°F (21.1°C).

Pressure Limits: 30 psig (2.067 bar) continuous to either pressure connection.

Temperature Limits: 20 to 120°F (-6.67 to 48.9°C).

Size: 2-1/16" (52.39 mm) diameter dial face.

Mounting Orientation: Diaphragm in vertical position. Consult factory for other position orientations.

Process Connections: Barbed, for 3/16" ID tubing (standard); 1/8" male NPT (optional).

Weight: 6 oz (170.1 g).

Agency Approvals: Meets the technical requirements of EU Directive 2011/65/EU (RoHS II).

Caution: For use only with air or compatible gases.

MINIHELIC® II DIFFERENTIAL PRESSURE GAGES

Combining High Accuracy, Compactness, Dependability, and Low Cost

Housing is molded from strong mineral and glass filled nylon.

Pointer stops of molded rubber prevent pointer over-travel without damage.

Full view lens is removable and molded of acrylic.

Aluminum scale litho-printed black on white, enhances readability.

Red tipped aluminum pointer, rigidly mounted to helix is easy to see.

Wishbone assembly provides mounting for helix, helix bearings, and pointer shaft.

Jewel bearings provide virtually friction-free helix motion.

Helix is free to rotate in jewel bearings. It aligns with magnetic field of magnet to transmit pressure indications to pointer.

Zero adjustment screw, located behind the removable lens, eliminates tampering.

Range spring calibration clamp fixes live length of spring for proper gage calibration and is factory set and sealed.

Silicone rubber diaphragm allows accurate response to a broad range of temperatures and at extremely low pressure. Incorporates blow out area for overpressure protection.

Diaphragm support plates of lightweight aluminum on each side of the diaphragm minimize position or attitude sensitivity and help define pressure area.

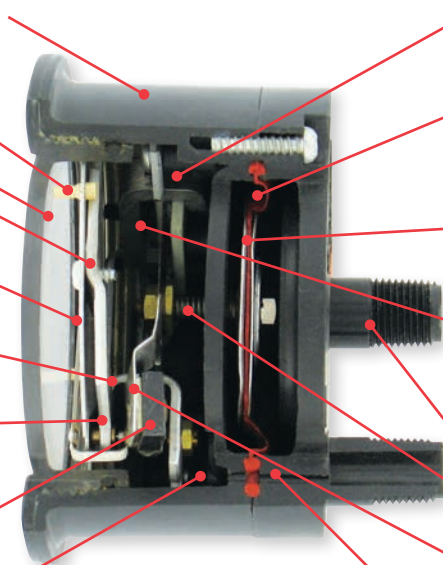
Flat leaf range spring reacts to pressure on the diaphragm. Live length is adjustable for calibration. Small amplitude of motion minimizes inaccuracies and assures long life.

Low pressure tap connects to rear chamber.

Coil spring link provides a resilient connection between the diaphragm and the range spring.

Ceramic magnet mounted on a molded bracket at the end of the range spring rotates the helix without direct mechanical linkage.

High pressure tap connects with the front chamber through passageway in the plastic case and a sealing ring molded into the edge of the diaphragm.



MODEL CHART			
Model	Range, Inches of Water	Model	Range, MM of Water
2-5000-0	0-0.5	2-5000-25MM	0-25
2-5001	0-1.0	2-5000-50MM	0-50
2-5002	0-2.0	2-5000-100MM	0-100
2-5003	0-3.0		
2-5005	0-5.0		
2-5010	0-10	Model	Range, Pascals
2-5020	0-20	2-5000-125PA	0-125
2-5040	0-40	2-5000-250PA	0-250
2-5060	0-60	2-5000-500PA	0-500
2-5100	0-100	Model	Range, kPa
		2-5000-1KPA	0-1
		2-5000-3KPA	0-3
Model	Range, PSI		
2-5205	0-5		

OPTIONS	
To order add suffix:	Description
-NPT	1/8" male NPT connections
Example: 2-5001-NPT	
-BB	Bottom barbed surface mount
Example: 2-5001-BB	
-NIST	NIST traceable calibration certificate
Example: 2-5001-NIST	
-FC	Factory calibration certificate
Example: 2-5001-FC	

ACCESSORIES	
Model	Description
A-302F-A	303 SS static pressure tip with mounting flange; for 3/16" ID rubber or plastic tubing; 4" insertion depth; includes mounting screws
A-434	Portable kit
A-489	4" straight static pressure tip with flange
A-497	Surface mounting bracket
A-609	Air filter kit
A-480	Plastic static pressure tip

SURFACE MOUNTING



Optional surface mounting with back mounting plate allows for quick installation to any surface. Process connections are barbed and point downwards. Add -BB for bottom barbed surface mount option.



PANEL MOUNTING



Mounting hardware is supplied with the MiniHelic® II gage for panel mounting through a single hole, 2-5/8" (67 mm) in diameter. Panel thickness up to 1/2" (13 mm) can be accommodated with the hardware supplied. If necessary, surface mounting of the gage can be accomplished by means of two 4-40 screws into the tapped mounting bracket stud holes in the rear of the gage. Surface mounting requires clearance holes in the panel for the two pressure taps.

Process Tubing Options: See page 443 (Gage Tubing Accessories)

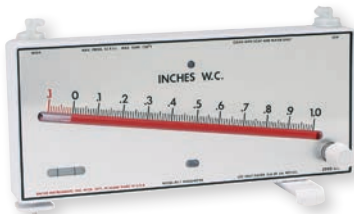
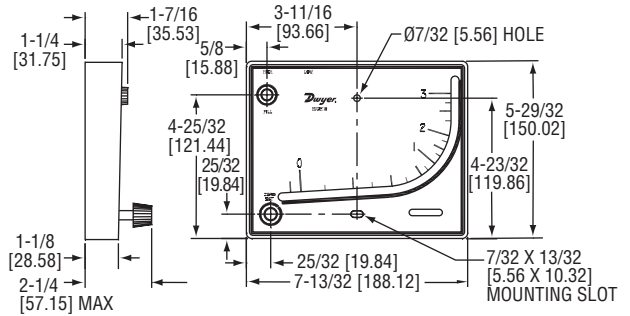


MARK II MOLDED PLASTIC MANOMETERS

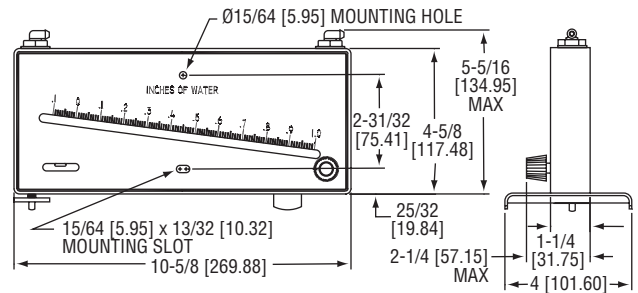
3% Accuracy For Stationary And Portable Applications



Mark II Model No. 25 inclined-vertical manometer.
(shown with optional A-612 portable stand)



Mark II Model No. 40-1 inclined manometer



SERIES MARK II Molded Manometers are of the inclined and inclined-vertical types. The curved inclined-vertical tube of the Model 25 gage provides higher ranges with more easily read increments at low readings. The Model 25 is excellent for general purpose work. The Model 40 inclined gage provides linear calibration and excellent resolution throughout its range. The Model 40 is ideally suited for air velocity and air filter gage applications. Both gage types are capable of pressure measurements above and below atmospheric as well as differential pressure measurements. Included with each Mark II manometer are two tubing connectors for 1/8" pipe or sheet metal ducts, two mounting screws, 1 ounce bottle of indicating fluid, red and green pointer flags and complete instructions. The Model 25 also includes 8' of flexible double column plastic tubing. Portable operation of the Model 25 is made possible by the use of the optional A-612 portable stand. A short piece of tubing can be slipped over the Model 25 pressure connections to contain the gage fluid in transit. The Model 40 contains two 4-1/2' lengths of clear plastic tubing, a plastic swing-out stand and leveling screw for portable operation. It also features convenient rapid shutoff pressure connections and integral overpressure safety traps.

FEATURES/BENEFITS

- Broad ranging in easy to read calibrated increments
- Gages ideally suited for general measurements and specific air applications
- Compact, stationary or portable device, make it a simple to use tool for pressure measurement in OEM or user applications

APPLICATIONS

- Paint booths
- Air velocity measurement
- Air filter gage

OEM SPECIALS

All Dwyer® Mark II molded plastic manometers can be supplied in OEM quantities with your name or special graphics and scales.

ACCESSORIES

Model	Description
A-612	Portable stand
A-606	Air filter kit
A-480	Plastic static pressure tip
A-489	4" straight static pressure tip with flange

SPECIFICATIONS

INCLINED/VERTICAL

- Accuracy:** ±3% FS.
- Temperature Limits:** 140°F (60°C).
- Pressure Limits:** 10 psi (70 kPa).
- Weight:** 1.04 lb (472 g).

INCLINED

- Accuracy:** ±3% FS.
- Temperature Limits:** 150°F (65°C).
- Pressure Limits:** 15 psi (100 kPa).
- Scale Length:** Approx. 8-1/4" (21 cm).
- Weight:** 1.23 lb (558 g).

MODEL CHART

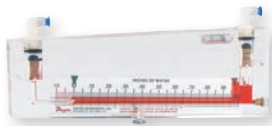
Model	Range	Fluid Used
Mark II 25	0-3 in w.c	Red fluid, .826 s.g.
Mark II 26	0-7 in w.c.	Blue oil, 1.91 s.g.
Mark II 27*	0-7000 fpm	Red fluid, .826 s.g.
Mark II MM-80	0-80 mm w.c.	Red fluid, .826 s.g.
Mark II M-700PA	10-0-700 Pa	Red fluid, .826 s.g.
Mark II 40-1	.1-0-1.0 in w.c.	Red fluid, .826 s.g.
Mark II 40-25MM	0-26 mm w.c.	Red fluid, .826 s.g.
Mark II 40-250PA	10-0-250 Pa	Red fluid, .826 s.g.
Mark II 41-60MM	0-60 mm w.c.	Blue oil, 1.91 s.g.
Mark II 41-600PA	20-0-600 Pa	Blue oil, 1.91 s.g.

*Require Pitot tube at additional cost.

Process Tubing Options: See page 443 (Gage Tubing Accessories)
 Pitot tube: See pages 331-333 (Test & Data section)

INCLINED MANOMETER AIR FILTER GAGES

Precision Machined, Solid Acrylic Plastic Gages, Accurate To $\pm 1\%$ Of Full-Scale



Model 250.5-AF



Model 452-AF

Dwyer® Durablock® **SERIES 250-AF** Gages are precision machined 1" thick solid acrylic plastic, virtually unbreakable and free of distortion. The fluid bore is precision drilled to $\pm .0002"$ to assure life-long accuracy. A glass spirit level is built into the body and encapsulated to prevent damage or tampering. The scale is mirror polished chrome plated brass to assure parallax free reading by alignment of the meniscus with its reflection. Safety traps are incorporated in the body to prevent loss of fluid due to pressure surges. Red and green signal flags indicate clearly when a filter change is necessary. Gages are suitable for use in ambient temperatures of -20 to 150°F. Connection fittings are positively sealed but easily removed for zeroing or addition of fluid.

FEATURES/BENEFITS

- High-accuracy and easy to use make it a dependable device for many years of service
- Easy to read polished inclined scale allows pressure minute pressure differences to be read
- No moving parts mean no calibration or nothing to wear out

APPLICATIONS

- Air filter gage

▲ Economy Model 452-AF is similar to the 250 Series except they are not equipped with over pressure traps. Two A-324 1/4" compression fittings are included with each gage but not shown. Bodies are of 5/8" thick acrylic and scales are mirror polished, epoxy coated aluminum.

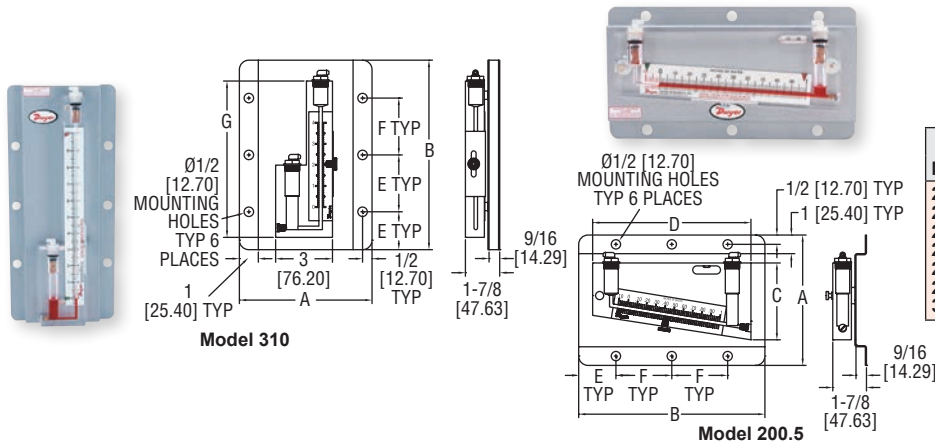
MODEL CHART				
Model	Range: Water Column	Minor Divisions	Scale Length Inclined (Inches)	Overall Size (Inches)
250-AF	.10-0-1.0"	.02"	5-1/2	8-1/2 x 4-1/8 x 1
250.5-AF	.10-0-1.0"	.01"	8	11-3/8 x 4 x 1
251-AF	.05-0-.50"	.01"	5-1/2	8-1/4 x 3-3/8 x 1
252-AF	.20-0-2.0"	.02"	8	11-1/8 x 6-1/2 x 1
260-AF	0-1.5"	.02"	5-1/2	8-3/8 x 5-7/8 x 1
452-AF▲	0-2"	.02"	8	11 x 4 x 5/8

▲ 2 PSI maximum working pressure

ACCESSORIES	
Model	Description
A-310B	3-way vent valve, 1/8" NPT to 1/4" metal tubing, 10 psi rating Gage connector, 1/8" pipe thread opening, less OD thread, for slip fit in 3/4" diameter opening in Series 250-AF gages
A-317	

DURABLOCK® SOLID PLASTIC STATIONARY GAGES

Suitable for Total Pressures Up to 100 psig, Temperatures Up to 150°F, Accuracy $\pm 2\%$ of Full-Scale (1% on Models 215, 244, 246 Only)



Model	Dimensions, Inches						
	A	B	C	D	E	F	G
200.5	7	13	3-15/16	11-3/8	2	4-1/2	-
202.5	9	13	5-5/8	12	2	4-1/2	-
209	9	13	7	11-1/4	2	4-1/2	-
215	7	10	3-1/16	9-1/2	2	3	-
244	11	16-1/2	3-1/8	15-5/8	4	8-1/2	-
246	13-1/2	23	11	22	4	15	-
310	7	16	-	-	4	4	15-1/4

Dwyer® **SERIES 200 & 300** solid plastic stationary gages, or draft gages, are offered in inclined and vertical (well-type) styles for highly accurate laboratory or general industrial service, for measurement of low range gas and air pressures, positive, negative or differential. To assure the accuracy required in instruments of this type, all machining of bores and wells is to the highest standards of precision backed by Dwyer's years of experience in the fabrications of acrylic instruments.

FEATURES/BENEFITS

- High-accuracy measurement of low range gas and air pressure suitable for laboratory or general industry
- Precision built assures device meets the highest standards
- No moving parts mean no calibration or nothing to wear out
- Over-pressure trap prevents liquid from being expelled from gage, preventing disruption of operation

APPLICATIONS

- Low pressure laboratory and industrial service applications



Exclusive Dwyer® over pressure safety traps assure that over range pressures whether gradual or a sudden surge will not force the liquid out of the gage. Over pressures simply raises the float, force the O-ring over the opening and seal the fluid in the gage. When pressure is reduced, float drops down releasing the O-ring safety trap opens and the gage continues in operation.

MODEL CHART				
Incline Type Model	Range Inches of Water	Minor Scale Divisions	Scale Length	Weight lb-oz
200.5	.10-0-1.0"	.01	8-1/4	3-11
202.5	.20-0-2.0"	.01	8-3/4	4-7
209	.20-0-3.0"	.02	8-3/4	4-11
215	.05-0-.25	.005	6	2-14
244	0-4	.02	13-1/4	9-11
246	0-6	.02	20	13-14
Vertical or Well-Type Model	Range Inches of Water	Minor Scale Divisions	Scale Length	Weight lb-oz
310	0-10	.10	11-1/8	3-10

Note: Model 200.5 replaces Model 200. Model 202.5 replaces Model 202.

OPTION	
To order add suffix:	Description
-NIST	NIST traceable calibration certificate
Example: 244-NIST	



DURABLOCK® INCLINED-VERTICAL MANOMETERS

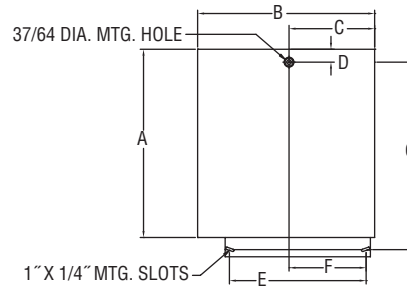
Accuracy To $\pm 0.25\%$



**Inclined-Vertical Manometer
Single Column**



**Inclined-Vertical Manometer
Double Column**



RANGES AND DIMENSIONS - Suitable for total pressure up to 100 psig, temperatures up to 150°F															
Model	Description	Inclined Range Inches of Water	Inclined Minor Div.	Length of Inclined Scale	Vertical Range Inches of Water	Vertical Minor Div.	Length of Vertical Scale	Dimensions							Weight lb-oz
								A	B	C	D	E	F	G	
424-10	Single column	0-2.0	.01	20"	2.1-10	.10	9"	16-1/2"	25-1/4"	12-5/8"	1"	10-1/2"	5-3/8"	16"	22-12
421-5	Single column	0-1.0	.01	6-1/2"	1.1-5	.10	4-5/8"	9-7/8"	9-5/8"	4-7/8"	5/8"	6-1/2"	3-1/4"	9-7/8"	4-12
421-10	Single column	0-1.0	.01	6-1/2"	1.1-10	.10	10-1/8"	15-1/2"	9-5/8"	4-7/8"	5/8"	6-1/2"	3-1/4"	15-1/2"	6-10
422-5	Double column	0-1.0	.01	6-1/2"	1.1-5	.10	4-5/8"	10-1/2"	11-1/2"	5-1/8"	5/8"	6-1/2"	3-1/4"	10-1/2"	6-10
422-10	Double column	0-1.0	.01	6-1/2"	1.1-10	.10	10-1/8"	16-1/8"	11-1/2"	5-1/8"	5/8"	6-1/2"	3-1/4"	16-1/8"	10-13

*Single column metric-ranges and divisions in millimeters.

Dwyer® **SERIES 424 & 420** inclined-vertical manometer are extremely accurate instruments designed and made especially for precision measurement of low differential pressures in laboratory and test applications. The inclined range bore has a length of 20" to provide ample multiplication of indicating fluid movement in this critical lower part of the range.

FEATURES/BENEFITS

- High-accuracy measurement of low range gas and air pressure suitable for laboratory and test applications
- Long bore length provides ample room for fluid movement for low range sensing
- Precision built to assure device meets the highest standards

APPLICATIONS

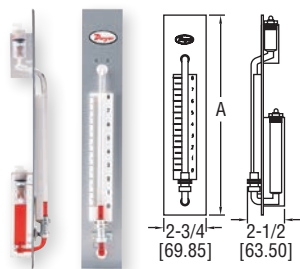
- Low pressure laboratory and test applications

ACCESSORIES - STANDARD

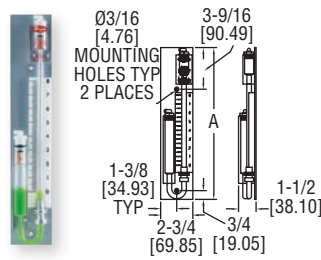
Description

Include two 1 oz bottles of .826 red gage fluid (1.91 blue gage oil for models 421-23 and 422-23), rapid shut-off type "a" connections, two 3 ft lengths of clear plastic tubing and two 1/8" NPT tubing adapters — two sets for double column models.

FLEX-TUBE® WELL-TYPE MANOMETERS



1235 Series Panel Mounting



1230 Series Wall Mounting

Model	Scale in Inches of Water or Mercury	Dimensions A		Mercury Required to Fill (Wt.)
		W/M	D	
1230-8	0-8	15-13/16	16-3/4	12 oz
1230-12	0-12	19-3/8	21-7/8	14 oz
1230-16	0-16	23-1/2	27	16 oz
1230-20	0-20	27-9/16	32-1/8	18 oz
1230-36	0-36	43-1/8	51-1/4	26 oz

Model	Scale in Inches of Water or Mercury	Dimensions A		Mercury Required to Fill (Wt.)
		W/M	D	
1235-20	0-20	29-5/16	33-9/16	18 oz

Dwyer® **SERIES 1230 & 1235** Flex-Tube® Well Type Manometers are designed to meet the need for a direct reading single column instrument providing highly accurate pressure readings; positive, negative or differential. Unlike other makes, Dwyer manometers have no hidden wells or packing glands. These instruments are constructed of shatter-proof clear plastic tubing permanently bonded to well assemblies with leak-proof glued joints. Well assemblies are precisely machined from solid acrylic plastic. Overpressure safety traps assure protection against loss of fluid. Scales are adjusted with quick-acting positive mechanism. These manometers are rated to 100 psig (6.89 bar). Not recommended for vacuum service beyond 5" Hg (68 in w.c.).

FEATURES/BENEFITS

- High-accuracy pressure measurement suitable for laboratory or general industry
- Precision built assures device meets the highest standards
- No moving parts mean no calibration or nothing to wear out
- Over-pressure trap prevents liquid from being expelled from gage, preventing disruption of operation

APPLICATIONS

- Laboratory and industrial service applications

OPTION

To order add suffix:	Description
-NIST	NIST traceable calibration certificate

Example: 1222-8-W/M-NIST

ACCESSORIES - STANDARD

Description

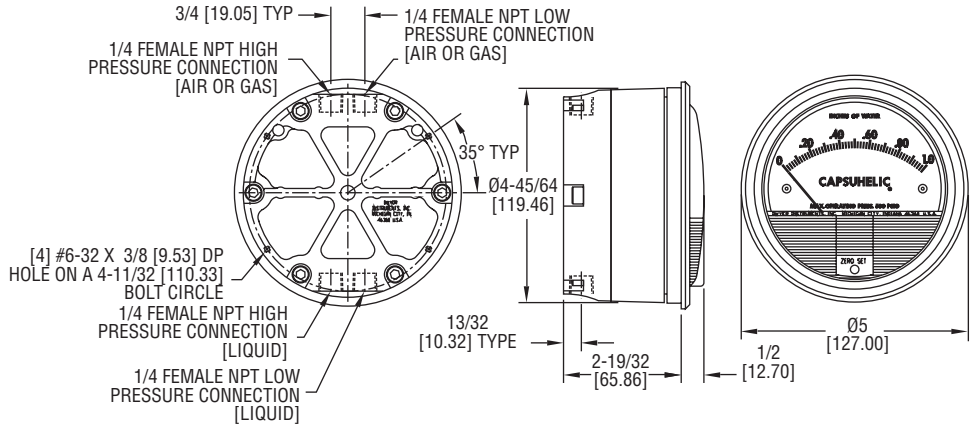
Include one set of type "a" connections, .826 sp. gr. red gage fluid for "D" style or fluorescein green dye concentrate with wetting agent for "W/M" styles, two 3 ft lengths of clear vinyl tubing and two 1/8" NPT tubing adapters.

CAPSUHELIC® DIFFERENTIAL PRESSURE GAGES

Measures Pressure, Vacuum or Differential, Suitable for Internal Pressures to 500 psig



Capsuhelic® Pressure Gage has a large, easy-to-read 4" (102 mm) dial.



The **SERIES 4000** Capsuhelic® gage is designed to give fast, accurate indication of differential pressures. The gage may be used as a readout device when measuring flowing fluids, pressure drop across filters, liquid levels in storage tanks and many other applications involving pressure, vacuum or differential pressure. The pressure being measured is held within a capsule which is an integral part of the gage. This containment of the pressure permits the use of the gage on system pressures of up to 500 psig, even when differentials to be read are less than 0.1 in w.c.

FEATURES/BENEFITS

- Gage capsule permits high-pressure usage with small differentials
- Zero and range adjustments outside of gage means no disassembly in normal service
- Time-proven, simple, frictionless movement that permits full scale readings as low as 0.5 in w.c.
- Diaphragm-actuated versus liquid filled gage supports outdoor use

APPLICATIONS

- Fluid flow
- Liquid storage tanks
- Filter pressure drops
- Vacuum or differential pressure

Note: May be used with hydrogen where pressures are less than 35 psi. Order with a Buna-N diaphragm.

MODEL CHART			
Model	Range, Inches of Water	Model	Range Zero Center Inches of Water
*4005	0-5.0	4310	5-0-5
*4006	0-6.0	4330	15-0-15
*4010	0-10		
*4015	0-15	Model	Range PSID
*4020	0-20	4205	0-5
*4025	0-25	4210	0-10
*4030	0-30	4215	0-15
*4040	0-40	4220	0-20
*4050	0-50		
*4060	0-60		
*4080	0-80		
*4100	0-100		
*4200	0-200		

*These ranges available for vertical scale position only.
Note: Scales reading directly in flow, heights, etc., are also available.

SPECIFICATIONS

Service: Aluminum case: Air and compatible gases and oil based liquids; Brass case: Air and compatible gases and water based liquids.

Wetted Materials: Consult factory.

Housing: Die cast aluminum with impregnated hard coating, standard. Optional forged brass housing is required for water or water based fluids. Special material diaphragms available, contact factory.

Accuracy: ±3% of FS at 70°F (21.1°C). (±4% on 4200, 4210, 4215, 4220, 4300, 4400, and 4500).

Pressure Limits: -20" Hg to 500 psig (-0.677 bar to 34.4 bar).

Temperature Limits: 20 to 200°F (-6.67 to 93.3°C).

Size: 4" (101.6 mm) diameter dial face.

Mounting Orientation: Diaphragm in vertical position. Consult factory for other position orientations.

Process Connections: 1/4" female NPT high and low pressure taps, duplicated - one pair top for air and gas, and one pair bottom for liquids.

Weight: 3 lb, 3 oz (1.45 kg) aluminum case; 7 lb, 13 oz (3.54 kg) brass case.

ACCESSORIES - STANDARD

Description
Two 1/4" NPT plugs for duplicate pressure taps, four flush mounting adapters with screws and four surface mounting screws.

ACCESSORIES

Model	Description
A-298	Flat flush mounting bracket
A-309	3-way manifold valve
A-314	Bleed fitting
A-370	Mounting bracket
A-471	Portable kit
A-496	Flush mount bracket
A-610	Pipe mount kit

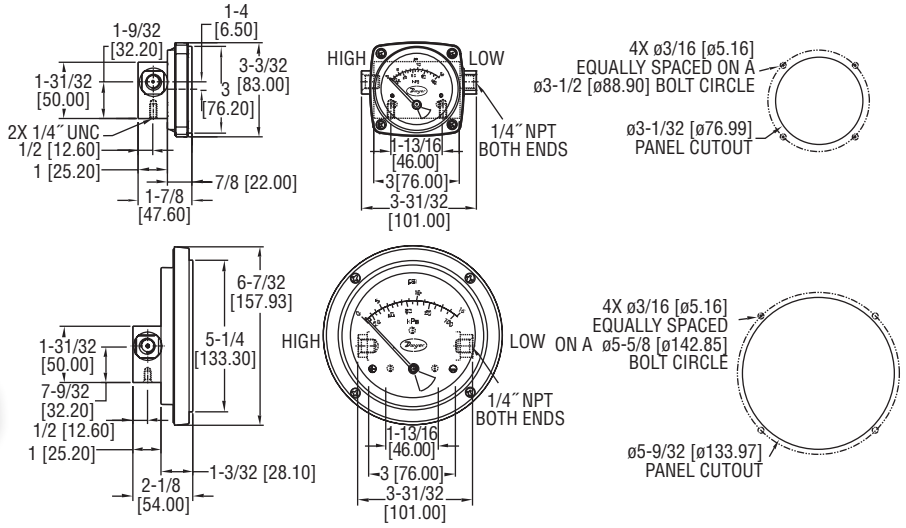
OPTIONS

To order add suffix:	Description
-ASF	Adjustable signal flag
B	Brass case
Scale Overlays	Red, green, mirrored or combination; specify locations
-NIST	NIST traceable calibration certificate



DIFFERENTIAL PRESSURE PISTON-TYPE GAGE

Excellent Accuracy and Over-Pressure Ratings



The **SERIES PTGD** Differential Pressure Piston-Type Gage can be used to measure the pressure drop across filters, strainers, pump performance testing, and heat exchanger pressure drop monitoring. Its simple, rugged design possesses weather and corrosion resistant gage front with a shatter resistant lens. The Series PTGD contains a piston-sensing element which provides different differential pressure ranges with full-scale accuracies of $\pm 2\%$. Constructed with aluminum or 316SS and available with two 1/4" female NPT end connections, the Series PTGD provides over-range protection rated to 3000 psig (200 bar) or 6000 psig (400 bar) depending on model. Standard models come with in-line connections. Back or bottom connections are also available.

FEATURES/BENEFITS

- Rugged, weather and corrosive proof design supports use in harsh environments
- Over-protection range depending on model, up to 6000 psig (400 bar) allows high-pressure applications
- Flexibility of connection selection fits the most sophisticated designs

APPLICATIONS

- Filter pressure drop
- Strainers
- Pump performance testing
- Heat exchanger pressure drop

OPTIONS	
To order add suffix:	Description
-V	FKM fluoroelastomer seals
-N	EPDM seals
-PY	Glycerine fill
-PF	Pointer follower
-RP	Reverse port
-SP1	1 0.5A SPDT DIN Plug
-SP2	2 0.25A SPDT DIN Plugs
Use order code:	Description
NISTCAL-PG1	NIST traceable calibration certificate

SPECIFICATIONS

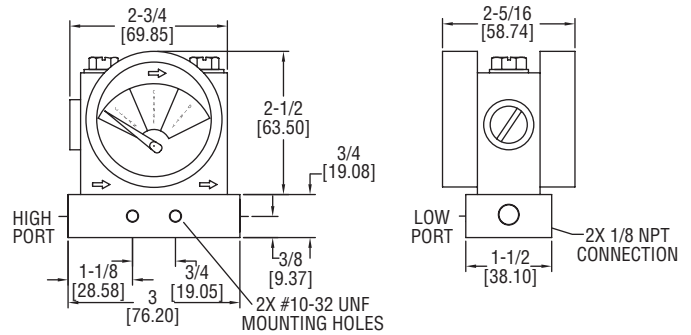
Service: Compatible gases and liquids.
Wetted Materials: Gage body: Aluminum or 316 SS; Piston: Aluminum or 316 SS; Spring: 302 SS; Seals: Buna-N (standard); PTFE, Ceramic magnet; Dial case: Nylon 6 30% glass filled gage case.
Window: Acrylic.
Accuracy: $\pm 2\%$ FS ascending.
Temperature Limit: 176°F (80°C).
Pressure Limits: 3000 psi (206 bar) for aluminum body; 6000 psi (413 bar) for SS body.
Size: 2.5" (63 mm) or 4.5" (115 mm).
Mounting Orientation: Mount in any position.
Process Connections: 1/4" female NPT end connections standard; 1/4" female NPT back or bottom connections available. All styles available with 1/4" BSP.
Weight: Aluminum: 2.5" 0.88 lb (399 g); 4.5" 1.35 lb (612 g); Stainless steel: 2.5" 1.75 lb (794 g); 4.5" 2.3 lb (1.04 kg).

MODEL CHART		
Model	Description	Range
PTGD-AA01A	2.5" aluminum	0-5 psid (0.25 bar)
PTGD-AA02A	2.5" aluminum	0-10 psid (0.75 bar)
PTGD-AA03A	2.5" aluminum	0-15 psid (1 bar)
PTGD-AA04A	2.5" aluminum	0-20 psid (1.6 bar)
PTGD-AA05A	2.5" aluminum	0-25 psid (1.6 bar)
PTGD-AA06A	2.5" aluminum	0-30 psid (2 bar)
PTGD-AA07A	2.5" aluminum	0-40 psid (3 bar)
PTGD-AA08A	2.5" aluminum	0-50 psid (3.5 bar)
PTGD-AA09A	2.5" aluminum	0-60 psid (4 bar)
PTGD-AA10A	2.5" aluminum	0-80 psid (5.5 bar)
PTGD-AA11A	2.5" aluminum	0-100 psid (7 bar)
PTGD-AA12A	2.5" aluminum	0-150 psid (10 bar)
PTGD-SA01A	2.5" stainless steel	0-5 psid (0.25 bar)
PTGD-SA02A	2.5" stainless steel	0-10 psid (0.75 bar)
PTGD-SA03A	2.5" stainless steel	0-15 psid (1 bar)
PTGD-SA04A	2.5" stainless steel	0-20 psid (1.6 bar)
PTGD-SA05A	2.5" stainless steel	0-25 psid (1.6 bar)
PTGD-SA06A	2.5" stainless steel	0-30 psid (2 bar)
PTGD-SA07A	2.5" stainless steel	0-40 psid (3 bar)
PTGD-SA08A	2.5" stainless steel	0-50 psid (3.5 bar)
PTGD-SA09A	2.5" stainless steel	0-60 psid (4 bar)
PTGD-SA10A	2.5" stainless steel	0-80 psid (5.5 bar)
PTGD-SA11A	2.5" stainless steel	0-100 psid (7 bar)
PTGD-SA12A	2.5" stainless steel	0-150 psid (10 bar)

Note: For 4.5" dial face, change -AA to -AC for aluminum and -SA to -SC for stainless steel.
 For back or bottom connections as well as female BSP threads, contact the factory.

PROCESS FILTER GAGE

Indicates Process Filter Status, In-Line or Bottom Connect Mounting



The **SERIES PFG2** Process Filter Gage is designed for determining the state of an inline filter. The differential pressure indicator determines the pressure drop on either side of a filter and relates the value to one of three zones: clean (green), change (yellow), or dirty (red). The Series PFG2 is perfectly suited for filter applications, line loss, valve drop, and many other differential pressure applications where a simple indicator is needed. The direction of process flow is indicated on the dial, with the arrow pointing to the low pressure port. The PFG2 can be connected in-line through the side process connections, or can also be directly mounted through the outlet/inlet.

FEATURES/BENEFITS

- Simple easy to understand indicator means no guessing filter status
- Removable mounting block provides direct mounting options especially in difficult filter access locations
- Quick installation reduces time to operation

APPLICATIONS

- Filter pressure drop
- Filter status
- Valve drop
- Line loss

SPECIFICATIONS

Service: Liquids/gases compatible with SS, GFN, and fluoropolymer.
Wetted Materials: Aluminum, SS, glass filled nylon, and fluoropolymer.
Accuracy: ±5% FS.
Temperature Limit: 200°F (93°C).
Pressure Limit: 300 psig (20.7 bar).
Materials: Body: Glass filled nylon; Mounting Block: Aluminum; Lens: Polyester; Elastomers: Fluorocarbon.
Process Connection: 1/8" female NPT.
Mounting Orientation: Any orientation with 10-32 threaded holes 3/4" apart.
Weight: 9.6 oz (272.2 g).

MODEL CHART

Model	Full Range	Green Zone	Yellow Zone	Red Zone
PFG2-02	0 to 5 psid	0 to 2.5 psid	2.5 to 3.75 psid	3.75 to 5 psid
PFG2-03	0 to 10 psid	0 to 5 psid	5 to 7.5 psid	7.5 to 10 psid
PFG2-06	0 to 25 psid	0 to 11 psid	11 to 18.5 psid	18.5 to 25 psid

DATA ACQUISITION AND LOGGING SOFTWARE

Designed for Communication with Series DH & DHII Digihelic® Differential Pressure Controllers



The **MODEL DIGIHELIC LINKS™** Communications Software is an easy to use Windows® based program. Data logging and graphing can be set up by the individual control with varying logging periods. Event logging, live instrument status, remote calibration as well as uploading pre-saved configuration files are some of the higher end capabilities the Digihelic Links™ Communications Software provides. The Digihelic Links™ Communications Software is compatible with all Series DH and DHII Digihelic® Differential Pressure Controllers.

FEATURES/BENEFITS

- Log and graph data up to 10 units simultaneously; view up to 40 units
- Easy to use Windows® based operator interface
- Data logging at individually adjustable rates
- On-screen graphing of process values
- Upload and download saved control configuration profiles
- Remote calibration of controls

MODEL CHART	
Model	Description
Digihelic Links	Communications software CD

ACCESSORY	
Model	Description
MN-1	Mini-Node™ USB/RS-485 converter

REQUIRED EQUIPMENT COMPUTER REQUIREMENTS

The Digihelic Links™ Communications Software application will run on Windows® 95/98 and Windows® NT Workstation 4.0 (Service Pack 3 recommended), Windows® 2000 and Windows® XP software. The hardware requirements for each of these operating systems can be found in the documentation provided with that operating system. One available RS-485 port is needed to communicate with the control(s). A minimum of 4 MB of hard disk space is needed for the Digihelic Links™ Communications Software application files, and additional hard disk space is needed to store data log files. Log file size will vary depending on the duration and rate selected for the controls and the number of controls on line.

COMMUNICATION REQUIREMENTS

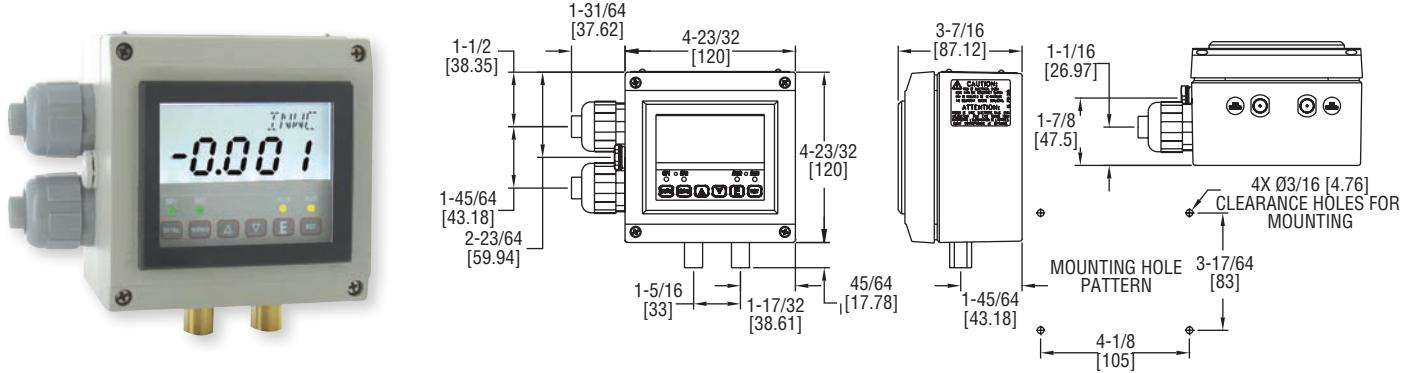
To communicate with the Digihelic® Differential Pressure Controller from a PC with an RS-232 Serial Communications Port, an RS-485 to RS-232 converter is required to convert the signal from the Digihelic® controller RS-485 format to the RS-232 input of the PC. Recommended converters are the Models 351-9 RS-485 to RS-232 converter or Model MN-21 RS-485 to USB converter. For RS-485 systems a 120 Ω resistor is also needed to terminate the last control on the control network. Shielded twisted pair cable is recommended for wiring the controls together.

Windows® is a registered trademark of Microsoft Corporation



DIGIHELIC® II DIFFERENTIAL PRESSURE CONTROLLER

NEMA 4 (IP66) Housing With Large, Bright LCD, Square Root Output for Flow



The **SERIES DHII** takes all the fabulous features of the standard Digihelic® Pressure Controller and packages them in a robust NEMA 4 (IP66) housing. The Digihelic® II Pressure Controller combines the 2 SPDT control relays, 4 to 20 mA process output and Modbus® communications with a large, brightly backlit 4 digit LCD display that can easily be seen from long distances. The electrical wiring has also been enhanced in the DHII with its detachable terminal blocks. The removable terminals allow the install to easily wire the terminal block outside the housing and then attach to the circuit board, reducing wiring difficulties and installation time on the process. The Digihelic® II Differential Pressure Control in the new NEMA 4 (IP66) enclosure enables this product to be the perfect choice when mounting pressure controls outdoors in such applications as rooftop air handlers. This housing also makes it the ideal solution for surface mounting in clean rooms or facilities where water or a cleaning solution is utilized in maintaining plant cleanliness.

FEATURES/BENEFITS

- NEMA 4 housing enables a range of uses both outdoors or indoors where water is present
- Large backlight LCD display provides local reading from a distance
- Detachable terminal blocks reduce wiring difficulties saving installation time

APPLICATIONS

- Air handlers
- Clean rooms

ACCESSORIES

Model	Description
MN-1	Mini-Node™ USB/RS-485 converter
A-301	Static pressure tip for 1/4" metal tubing connection
A-302	Static pressure tip for 3/16" and 1/8" I.D. plastic or rubber tubing
A-438	Surface mounting brackets
A-489	4" straight static pressure tip with flange
A-302F-A	303 SS static pressure tip with mounting flange; for 3/16" ID rubber or plastic tubing; 4" insertion depth; includes mounting screws
Digihelic Links™	Communications software

SPECIFICATIONS

Service: Air and non-combustible, compatible gases.
Wetted Materials: Consult factory.
Housing Material: Aluminum, glass.
Accuracy: ±0.5% at 77°F (25°C) including hysteresis and repeatability (after 1 hour warm-up).
Stability: < ±1% per year.
Pressure Limits: Ranges ≤ 2.5 in w.c. = 2 psi; 5": 5 psi; 10": 5 psi; 25": 5 psi; 50": 5 psi; 100": 9 psi.
Temperature Limits: 32 to 140°F (0 to 60°C).
Compensated Temperature Limits: 32 to 140°F (0 to 60°C).
Thermal Effects: 0.020%/°F (0.036/°C) from 77°F (25°C).
Power Requirements: High voltage power = 100 to 240 VAC, 50 to 400 Hz or 132 to 240 VDC; Low voltage power = 24 VDC ±20%.
Power Consumption: Low voltage power = 24 VDC - 130 mA max; High voltage power = 100 to 240 VAC, 132 to 240 VDC - 7 VA max.
Output Signal: 4 to 20 mA DC into 900 Ω max.
Zero & Span Adjustments: Accessible via menus.
Response Time: 250 ms (dampening set to 1).
Display: 4 digit backlit LCD 0.6" height. LED indicators for set point and alarm status.
Electrical Connections: Euro type removable terminal blocks with watertight conduit fittings for 1/2" watertight conduit.
Process Connections: 1/8" female NPT.
Enclosure Rating: Designed to meet NEMA 4 (IP66).
Mounting Orientation: Mount unit in horizontal plane.
Weight: 2 lb 10 oz (1.19 kg).
Serial Communications: Modbus® RTU, RS485, 9600 baud.
Agency Approvals: CE, UL.

SWITCH SPECIFICATIONS
Switch Type: 2 SPDT relays.
Electrical Rating: 8 amps at 240 VAC resistive.
Set Point Adjustment: Adjustable via keypad on face.

MODEL CHART - Available Pressure Engineering Units

Model	in w.c.	ft w.c.	mm w.c.	cm w.c.	psi	in Hg	mm Hg	mbar	Pa	kPa	hPa	oz/in ²
DHII-002	.2500	-	6.350	0.635	-	-	0.467	0.623	62.28	-	0.623	0.144
DHII-004	1.000	-	25.40	2.540	-	-	1.868	2.491	249.1	0.249	2.491	0.578
DHII-006	5.000	.4167	127.0	12.70	.1806	.3678	9.342	12.45	1245	1.245	12.45	2.890
DHII-007	10.00	.8333	254.0	25.40	.3613	.7356	18.68	24.91	2491	2.491	24.91	5.780
DHII-008	25.00	2.083	635.0	63.50	.9032	1.839	46.71	62.27	6227	6.227	62.27	14.45
DHII-009*	50.00	4.167	1270	127.0	1.806	3.678	93.42	124.5	-	12.45	124.5	28.90
DHII-010*	100.0	8.333	2540	254.0	3.613	7.356	186.8	249.1	-	24.91	249.1	57.80

*Velocity and volumetric flow not available on bi-directional range units and models DHII-009 & DHII-010.

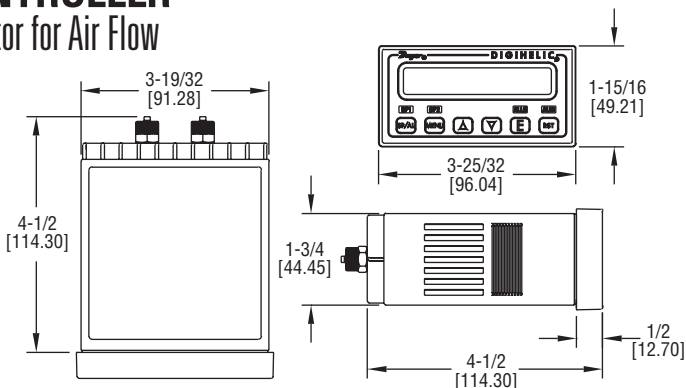
MODEL CHART - Bi-Directional* Ranges

Model	Range
DHII-012	0.25 to 0 - 0.25 in w.c.
DHII-014	1.0 to 0 - 1.0 in w.c.
DHII-015	2.5 to 0 - 2.5 in w.c.
DHII-016	5 to 0 - 5 in w.c.
DHII-017	10 to 0 - 10 in w.c.

*Velocity and volumetric flow not available on bi-directional range units and models DHII-009 & DHII-010.

DIGIHELIC® DIFFERENTIAL PRESSURE CONTROLLER

3-in-1 Instrument: Gage, Switch and Transmitter, Square Root Extractor for Air Flow



The **SERIES DH** DigiHelic® Differential Pressure Controller is a 3-in-1 instrument possessing a digital display gage, control relay switches, and a transmitter with current output. The DigiHelic® controller is the ideal instrument for pressure, velocity and flow applications, achieving a 0.5% full scale accuracy on ranges from 0.25 to 100 in w.c. The DigiHelic® controller allows the selection of pressure, velocity or volumetric flow operation in several commonly used engineering units. Two SPDT control relays with adjustable dead bands are provided along with a scalable 4-20 mA process output. The Series DH provides extreme flexibility in power usage by allowing 120/220 VAC and also 24 VDC power which is often used in control panels. Programming is easy using the menu key to access 5 simplified menus which provide access to: security level; selection of pressure, velocity or flow operation; selection of engineering units; K-factor for use with flow sensors; rectangular or circular duct for inputting area in flow applications; set point control or set point and alarm operation; alarm operation as a high, low or high/low alarm; automatic or manual alarm reset; alarm delay; view peak and valley process readings; digital damping for smoothing erratic process applications; scaling the 4-20 mA process output to fit your application's range; Modbus® communications; and field calibration.

FEATURES/BENEFITS

- 3-in-1 instrument allows the reduction of several instruments with one product, saving inventory, installation time and money
- Velocity of flow modes, a square root output coincides with the actual flow curve for greater precision
- Power usage of 120/220 VAC or 24 VDC provides flexibility to incorporate device in control panel
- Secure menu program provides access to device operation only for the right skill level
- Modbus® communications supports Process and HVAC system integration and control

APPLICATIONS

- SCFM duct flow
- Industrial ovens air flow
- Filter status
- Clean room pressurization
- Fume hood air flow
- Surgical and medical room pressurization
- Damper and fan control

OPTIONS	
To order add suffix:	Description
-B	Barbed fitting for 3/16" ID tubing
-NIST	NIST traceable calibration certificate
Example: DH-004-NIST	
-FC	Factory calibration certificate
Example: DH-004-FC	

MODEL CHART - AVAILABLE PRESSURE ENGINEERING UNITS												
Model	in w.c.	ft w.c.	mm w.c.	cm w.c.	psi	in Hg	mm Hg	mbar	Pa	kPa	hPa	oz/in ²
DH-002	.2500	-	6.350	0.635	-	-	0.467	0.623	62.28	-	0.623	0.144
DH-004	1.000	-	25.40	2.540	-	-	1.868	2.491	249.1	0.249	2.491	0.578
DH-006	5.000	4.167	127.0	12.70	1.806	.3678	9.342	12.45	1245	1.245	12.45	2.890
DH-007	10.00	.8333	254.0	25.40	.3613	.7356	18.68	24.91	2491	2.491	24.91	5.780
DH-008	25.00	2.083	635.0	63.50	.9032	1.839	46.71	62.27	6227	6.227	62.27	14.45
DH-009*	50.00	4.167	1270	127.0	1.806	3.678	93.42	124.5	-	12.45	124.5	28.90
DH-010*	100.0	8.333	2540	254.0	3.613	7.356	186.8	249.1	-	24.91	249.1	57.80

*Velocity and volumetric flow not available on bi-directional range units and models DH-009 & DH-010.

SPECIFICATIONS

Service: Air and non-combustible, compatible gases.
Wetted Materials: Consult factory.
Housing Material: ABS plastic, UL approved 94 V-0.
Accuracy: ±0.5% at 77°F (25°C) including hysteresis and repeatability.
Stability: < ±1% per year.
Pressure Limits: Ranges ≤ 2.5 in w.c. = 2 psi; 5": 5 psi; 10": 5 psi; 25": 5 psi; 50": 5 psi, 100": 9 psi.
Temperature Limits: 32 to 140°F (0 to 60°C).
Compensated Temperature Limits: 32 to 140°F (0 to 60°C).
Thermal Effects: 0.020%/°F (0.036/°C) from 77°F (25°C).
Power Requirements: High voltage power = 100 to 240 VAC, 50 to 400 Hz or 132 to 240 VDC. Low voltage power = 24 VDC ±20%.
Power Consumption: Low voltage power = 24 VDC - 130 mA max; High voltage power = 100 to 240 VAC, 132 to 240 VDC - 7VA max.
Output Signal: 4-20 mA DC into 900 Ω max.
Zero & Span Adjustments: Accessible via menus.
Response Time: 250 ms.
Display: 4 digit LCD 0.4" height. LED indicators for set point and alarm status.
Electrical Connections: Screw terminals.
Process Connections: Compression fitting for use with 1/8" ID X 1/4" OD tubing (3.175 mm ID x 6.35 mm OD). Optional barbed fitting for 3/16" ID tubing.
Enclosure Rating: Face designed to meet NEMA 4X (IP66).
Mounting Orientation: Mount unit in horizontal plane.
Size: 1/8 DIN.
Panel Cutout: 1.772 x 3.620 in (45 x 92 mm).
Weight: 14.4 oz (408 g).
Serial Communications: Modbus® RTU, RS485, 9600 baud.
Agency Approvals: CE, UL.

SWITCH SPECIFICATIONS

Switch Type: 2 SPDT relays.
Electrical Rating: 8 amps at 240 VAC resistive.
Set Point Adjustment: Adjustable via keypad on face.

ACCESSORIES

Model	Description
MN-1	Mini-Node™ USB/RS-485 converter; the Mini-Node™ converters are an easy solution for utilizing the DigiHelic® controller's RS-485 serial communication and connecting to virtually any PC.
A-266	DigiHelic® surface mounting bracket
A-203	1/8" ID x 1/4" OD PVC tubing
DigiHelic Links™	Communications Software

MODEL CHART - BI-DIRECTIONAL* RANGES

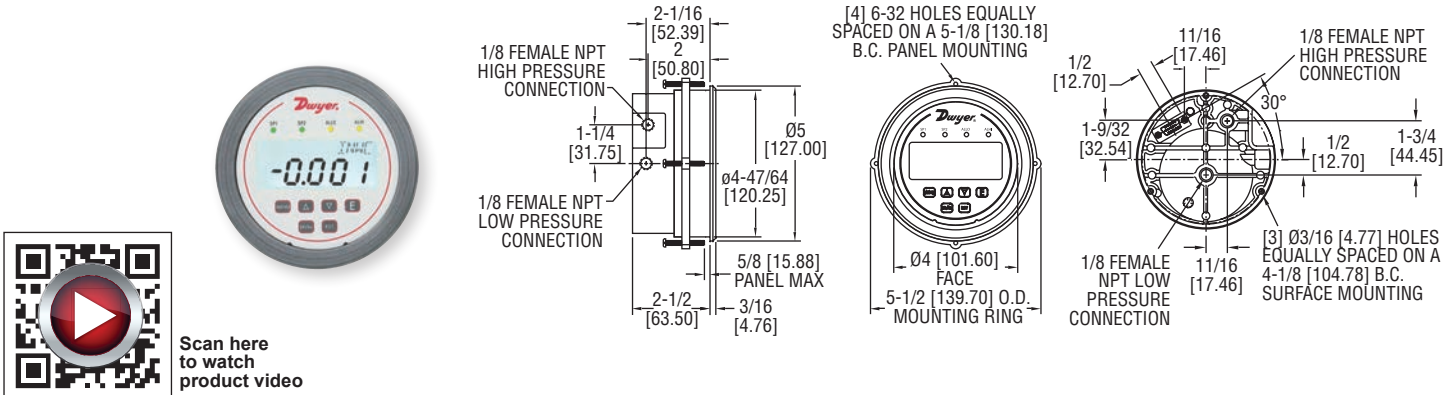
Model	Range
DH-012	0.25 to 0 - 0.25 in w.c.
DH-014	1.0 to 0 - 1.0 in w.c.
DH-015	2.5 to 0 - 2.5 in w.c.
DH-016	5 to 0 - 5 in w.c.
DH-017	10 to 0 - 10 in w.c.

*Velocity and volumetric flow not available on bi-directional range units and models DH-009 & DH-010.

Modbus® is a registered trademark of Schneider Automation, Inc.
 Process Tubing Options: See page 443 (Gage Tubing Accessories)

DIGIHELIC® 3 DIFFERENTIAL PRESSURE CONTROLLER

Digihelic® Controller in Photohelic® Gage, Square Root Output for Flow



The **SERIES DH3** Digihelic® Differential Pressure Controller is a 3-in-1 instrument possessing a digital display gage, control relay switches, and a transmitter with current output all packed in the popular Photohelic® gage style housing. Combining these 3 features allows the reduction of several instruments with one product, saving inventory, installation time and money. The Digihelic® controller is the ideal instrument for pressure, velocity and flow applications, achieving a 1% full scale accuracy on ranges down to the extremely low 0.25 in w.c. to 2.5 in w.c. full-scale. Ranges of 5 in w.c. and greater maintain 0.5% FS accuracy. Bi-directional ranges are also available. The Series DH3 Digihelic® controller allows the selection of pressure, velocity or volumetric flow operation in several commonly used engineering units. 2 SPDT control relays with adjustable deadbands are provided along with a scalable 4-20 mA process output.

Programming is easy using the menu key to access 5 simplified menus which provide access to: security level; selection of pressure, velocity or flow operation; selection of engineering units; K-factor for use with flow sensors; rectangular or circular duct for inputting area in flow applications; set point control or set point and alarm operation; alarm operation as a high, low or high/low alarm; automatic or manual alarm reset; alarm delay; view peak and valley process reading; digital damping for smoothing erratic process applications; scaling the 4-20 mA process output to fit your applications range and field calibration.

FEATURES/BENEFITS

- 3-in-1 instrument allows the reduction of several instruments with one product, saving inventory, installation time and money
- Full scale accuracy of 1% even on extremely low ranges, and 0.5% for ranges above 5 in w.c. provide for greater measurement precision
- Secure menu program provides access to device operation only for the right skill level

APPLICATIONS

- SCFM duct flow
- Filter status
- Duct or building static pressure
- Damper and fan control

MODEL CHART			
Model	Ranges	Model	Ranges
DH3-002	0-0.25 in w.c.	*DH3-010	0-50 in w.c.
DH3-003	0-0.5 in w.c.	*DH3-011	0-100 in w.c.
DH3-004	0-1 in w.c.	*DH3-013	0.25-0-0.25 in w.c.
DH3-005	0-2.5 in w.c.	*DH3-014	0.5-0-0.5 in w.c.
DH3-006	0-5 in w.c.	*DH3-015	1-0-1 in w.c.
DH3-007	0-10 in w.c.	*DH3-016	2.5-0-2.5 in w.c.
DH3-009	0-25 in w.c.	*DH3-017	5-0-5 in w.c.
		*DH3-018	10-0-10 in w.c.

*Velocity and volumetric flow not available on bi-directional range units and models DH3-010 and DH3-011.

SPECIFICATIONS

Service: Air and non-combustible, compatible gases.
Wetted Materials: Consult factory.
Housing Material: Die cast aluminum case and bezel.
Accuracy: ±1.5% for 0.25 in and ±0.25 in w.c. ranges. Ranges 0.5 in to 5 in w.c. and corresponding bi-directional (except ±2.5 in w.c.) ±1%; All other ranges: ±0.5% @ 77°F (25°C) including hysteresis and repeatability (after 1 hour warm-up).
Stability: < ±1% per year.
Pressure Limits: Ranges ≤ 2.5 in w.c.: 25 psi; ±2.5"; 5 in w.c.: 5 psi; 10 in w.c.: 5 psi; 25 in w.c.: 5 psi; 50 in w.c.: 5 psi; 100 in w.c.: 9 psi.
Temperature Limits: 32 to 140°F (0 to 60°C).
Compensated Temperature Limits: 32 to 140°F (0 to 60°C).
Thermal Effects: 0.020%/°F (0.036/°C) from 77°F (25°C). For 0.25 in and ±0.25 in w.c. ranges: ±0.03%/°F (±0.054%/°C).
Power Requirements: 12-28 VDC, 12-28 VAC 50 to 400 Hz.
Power Consumption: 3 VA max.

Output Signal: 4-20 mA DC into 900 Ω max.
Zero & Span Adjustments: Accessible via menus.
Response Time: 250 ms (damping set to 1).
Display: Backlit 4 digit LCD 0.4" height LED indicators for set point and alarm status.
Electrical Connections: 15 pin male high density D-sub connection. 18" (46 cm) cable with 10 conductors included. 4' and 10' cables available.
Process Connections: 1/8" female NPT. Side or back connections.
Mounting Orientation: Mount unit in vertical plane.
Size: 5" (127 mm) OD x 3-1/8" (79.38 mm).
Weight: 1.75 lb (794 g).
Agency Approvals: CE.
SWITCH SPECIFICATIONS
Switch Type: 2 SPDT relays.
Electrical Rating: 1 A @ 30 VAC/VDC.
Set Point Adjustment: Adjustable via keypad on face.

ACCESSORIES

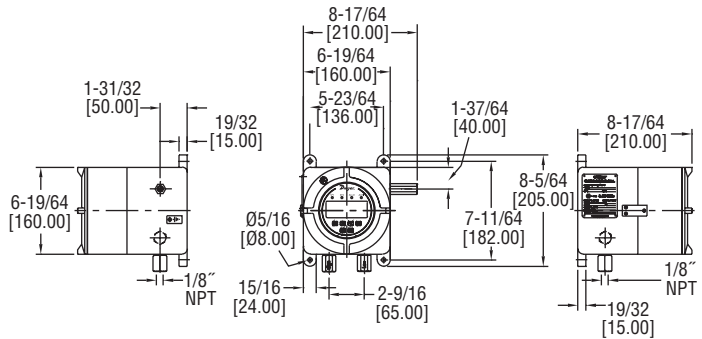
Model	Description
A-298	Flat aluminum bracket for flush mounting
A-301	Static pressure tip for 1/4" metal tubing connection
A-302	Static pressure tip for 3/16" and 1/8" I.D. plastic or rubber tubing
A-302F-A	303 SS static pressure tip with mounting flange; for 3/16" ID rubber or plastic tubing; 4" insertion depth; includes mounting screws
A-370	Mounting bracket flush mount bracket; bracket is then surface mounted; steel with gray hammertone epoxy finish
A-489	4" straight static pressure tip with flange

OPTIONS

To order add suffix:	Description
-NIST	NIST traceable calibration certificate
Example: DH3-004-NIST	
-FC	Factory calibration certificate
Example: DH3-004-FC	

ATEX APPROVED DH3 DIFFERENTIAL PRESSURE CONTROLLER

Digihelic® Pressure Control in Flame-Proof ATEX Enclosure



The ATEX approved **SERIES AT2DH3** Digihelic® Differential Pressure Controller is a 3-in-1 instrument possessing a digital display gage, control relay switches, and a transmitter with current output. Combining these three features allows the reduction of several instruments with one product, saving inventory, installation time and money. The ATEX approved Digihelic® controller is the ideal instrument for hazardous area pressure, velocity and flow applications by allowing for the selection of pressure, velocity or volumetric flow operation in several commonly used engineering units. Two SPDT control relays with adjustable dead bands are provided along with a scalable 4 to 20 mA process output. In velocity or flow modes, a square root output is provided on the 4 to 20 mA signal to coincide with the actual flow curve. Flame-proof ATEX enclosures are available in aluminum and can include a glass window for viewing process information and set point status on digital display.

FEATURES/BENEFITS

- 3-in-1 ATEX approved instrument allows the reduction of several instruments with one product, saving inventory, installation time and money
- Flame-proof ATEX enclosure with optional glass window and aluminum housing protects the device in hazardous areas while giving local visibility to process pressure and set point status

APPLICATIONS

- Hazardous area pressure measurement and switching

Attention: Check local safety rules and warnings on unit and manual for a correct use of the instrument in hazardous area.

SPECIFICATIONS

Service: Air and non-combustible, compatible gases.
Wetted Materials: Consult factory.
DH3 Housing Material: Die cast aluminum case and bezel.
Housing Material: Aluminum.
Finishing: Texture epoxy coat RAL7038.
Accuracy: < 5 in w.c. (except ±2.5 in w.c.): ±1%; All other ranges: ±0.5% at 77°F (25°C) including hysteresis and repeatability (after 1 hour warm-up).
Stability: < ±1% per year.
Pressure Limits: Ranges ≤ 2.5 in w.c.: 25 psi; ±2.5", 5 in w.c.: 5 psi; 10 in w.c.: 5 psi; 25 in w.c.: 5 psi; 50 in w.c.: 5 psi; 100 in w.c.: 9 psi.
Temperature Limits: 32 to 140°F (0 to 60°C) Case: -76 to 140°F (-60 to 60°C) (Note: Product temperature limits differ from case).
Compensated Temperature Limits: 32 to 140°F (0 to 60°C).
Thermal Effects: 0.020%/°F (0.036/°C) from 77°F (25°C).
Power Requirements: 12 to 28 VDC, 12 to 28 VAC 50 to 400 Hz.
Power Consumption: 3 VA max.
Output Signal: 4 to 20 mA DC into 900 Ω max.
Zero & Span Adjustments: Accessible via menus in safe zone only.

Response Time: 250 ms (damping set to 1).
Display: Backlit 4 digit LCD 0.4" height LED indicators for set point and alarm status.
Process Connections: 1/8" NPT female brass (SS optional). In presence of acetylene it is necessary to use SS.
Electrical Connections: Two 1/2" NPT female. Cable gland not included.
Weight: 12.3 lb (5.6 kg).
Electrical Wiring: Screw terminal.
Mounting Orientation: Mount unit in vertical plane.
Enclosure Rating: (IP66), IP65 with option OPV, overpressure relief valve.
Dial Size: 5" (127 mm) OD x 3-1/8" (79.38 mm).
ATEX Approved Products from Comhas with ECN: BVI 14ATEX0072.
Agency Approvals: CE 1370 Ex d IIC Gb T6; -60°C ≤ Ta ≤ +60°C Ex tb IIIC Db T 85°C.
SWITCH SPECIFICATIONS
Switch Type: 2 SPDT relays.
Electrical Rating: 1 A @ 30 VAC/VDC.
Set Point Adjustment: Adjustable via keypad on face in safe zone only.

MODEL CHART								
Example	AT2DH3	-002	-A	O	1	X	T2	AT2DH3-002-AO1XT2
Series	AT2DH3							ATEX Approved Series AT2DH3 Digihelic Differential Pressure Controller
Range		002						0 to 0.25 in w.c.
		003						0 to 0.5 in w.c.
		004						0 to 1 in w.c.
		005						0 to 2.5 in w.c.
		006						0 to 5 in w.c.
		007						0 to 10 in w.c.
		009						0 to 25 in w.c.
		010						0 to 50 in w.c.
		011						0 to 100 in w.c.
		013						0.25 to 0 to 0.25 in w.c.
		014						0.5 to 0 to 0.5 in w.c.
		015						1 to 0 to 1 in w.c.
		016						2.5 to 0 to 2.5 in w.c.
		017						5 to 0 to 5 in w.c.
		018						10 to 0 to 10 in w.c.
Housing Material			A					Aluminum
Cover				B				Blind
				O				Glass top cover
Process Connection					1			1/8" NPT F brass ports
					2			1/8" NPT F SS ports
Overpressure Plug						X		Standard without overpressure relief valve
						OPV		Overpressure relief valve
								Material same as port
Tag							T2	SS information label

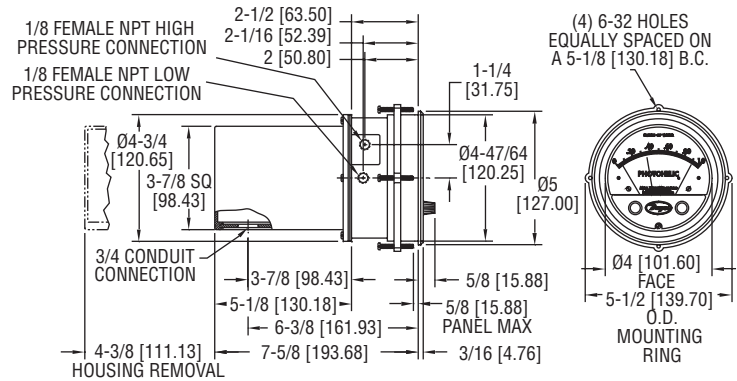
Differential Pressure Gages/Switches, Digital

PHOTOHELIC® PRESSURE SWITCH/GAGES

3-in-1 Indicating Gage, Lo-Limit and Hi-Limit Control



Set points are instantly adjusted with front knobs.



The **SERIES A3000** Photohelic® Switch/Gages function as versatile, highly repeatable pressure switches combined with a precise pressure gage employing the time-proven Magnehelic® gage design. The Photohelic® switch/gage measures and controls positive, negative or differential pressures of air and compatible gases. Standard models are rated to 25 psig (1.7 bar) with options to 35 (2.4) or 80 (5.5 bar) psig. Two phototransistor actuated, DPDT relays are included for low/high limit control. Easy to adjust set point indicators are controlled by knobs located on the gage face. Individual set point deadband is one pointer width - less than 1% of full scale. Set points can be interlocked to provide variable deadband - ideal for control of fans, dampers, etc. Gage reading is continuous and unaffected by switch operation, even during loss of electrical power. Choose from full scale pressure ranges from a low 0-.25 in (0-6 mm) w.c. up to 30 psi (21 bar); single positive pressure to 6000 psig (413 bar).

FEATURES/BENEFITS

- 3-in-1 instrument allows the reduction of several instruments with one product, saving inventory, installation time and money
- Patented design and 1% full scale dead band provides quick response to pressure changes means no delay in switching and chatter-free operation
- A wide range of models that can meet pressure measurement specifications from low to very high

APPLICATIONS

- Air conditioning systems
- Clean rooms
- Fume exhaust systems

SPECIFICATIONS

GAGE SPECIFICATIONS

Service: Air and non-combustible, compatible gases.

Wetted Materials: Consult factory.

Accuracy: ±2% of FS at 70°F (21.1°C). ±3% on -0 and ±4% on -00 models.

Pressure Limits: -20" Hg to 25 psig (-0.677 to 1.72 bar); MP option: 35 psig (2.41 bar); HP option: 80 psig (5.52 bar).

Temperature Limits: 20 to 120°F (-6.67 to 48.9°C). Low temperature option available.

Process Connections: 1/8" female NPT.

Size: 4" (101.6 mm) dial face, 5" (127 mm) OD x 8-1/4" (209.55 mm).

Weight: 4 lb (1.81 kg).

SWITCH SPECIFICATIONS

Switch Type: Each setpoint has 2 form C relays (DPDT).

Repeatability: ±1% of FS.

Electrical Rating: 10 A @ 28 VDC, 10 A @ 120, 240 VAC.

Electrical Connections: Screw terminals. Use 167°F (75°C) copper conductors only.

Power Requirements: 120 VAC, 50/60 Hz; 240 VAC & 24 VAC power optional.

Mounting Orientation: Diaphragm in vertical position. Consult factory for other position orientations.

Set Point Adjustment: Adjustable knobs on face.

Agency Approvals: CE, CSA, UL.

PHOTOHELIC® PRESSURE SWITCH/GAGES

3-in-1 Indicating Gage, Lo-Limit and Hi-Limit Control

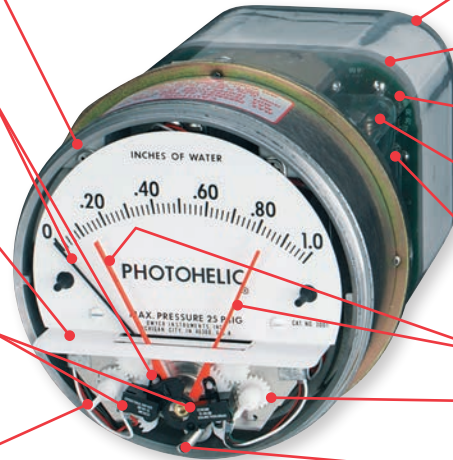
Bezel and front cover (with set point knobs and zero adjustment screw) removed to expose Photohelic® gage set point mechanism. Cover is clear polycarbonate plastic.

Gage pointer and light shutter are mounted on helix and balancing counterweight. Shutter passes through slot in optical limit switch to expose phototransistors to integral infrared light source or mask them depending on applied pressure.

Light shield effectively protects phototransistors from strong outside light sources yet allows free pointer movement. It also gives interior a clean "finished" look.

Optical limit switches are used for reliability and long service life. Attached directly to set pointers, they are individually aligned to assure precise switching accuracy.

Semi-Flexible drive shaft connects to set point knobs.



Plastic enclosure protects electronic components and electrical connections.

Polycarbonate connection or terminal board is self-extinguishing.

Glass-epoxy printed circuit boards for durability and performance.

Load relays are DPDT with latching feature for maximum application versatility.

Electronics are designed to operate on 50/60 Hz, 120 volt current with 10% over or under voltage. Special units for other voltages are available.

Switch set pointers show switch settings at all times.

Spring loaded friction clutch prevents operator damage of set point mechanism.

Zero adjustment screw connects to screw in cover to adjust zero pressure reading.

MODEL CHART							
Model	Range, in w.c.	Zero Center Ranges		Model	Range, mm w.c.	Zero Center Ranges	
		Model	Range in w.c.			Model	Range, Pa
A3000-00	0-.25	A3300-0	.25-0-.25	A3000-6MM	0-6	A3300-250PA	125-0-125
A3000-0	0-.50	A3301	.5-0-.5	A3000-10MM	0-10	A3300-500PA	250-0-250
A3001	0-1.0	A3302	1-0-1	A3000-25MM	0-25		
A3002	0-2.0	A3304	2-0-2	A3000-50MM	0-50	Model	Range, kPa
A3003	0-3.0	A3310	5-0-5	A3000-80MM	0-80	A3000-1KPA	0-1
A3004	0-4.0	A3320	10-0-10	A3000-100MM	0-100	A3000-1.5KPA	0-1.5
A3005	0-5.0	A3330	15-0-15	Zero Center		A3000-2KPA	0-2
A3006	0-6.0			A3300-20MM	10-0-10	A3000-3KPA	0-3
A3008	0-8.0			A3300-30MM	15-0-15	A3000-4KPA	0-4
A3010	0-10	Model	Range in w.c. /Air Velocity, F.P.M.			A3000-5KPA	0-5
A3015	0-15	A3000-00AV	0-.25/300-2000		Range, Pascals	A3000-8KPA	0-8
A3020	0-20	A3000-0AV	0-.50/500-2800	Model		A3000-10KPA	0-10
A3025	0-25	A3001AV	0-1.0/500-4000	A3000-60PA	0-60	A3000-15KPA	0-15
A3030	0-30	A3002AV	0-2.0/1000-5600	A3000-125PA	0-125	A3000-20KPA	0-20
A3040	0-40	A3010AV	0-10/2000-12500	A3000-250PA	0-250	A3000-25KPA	0-25
A3050	0-50	Pitot tube required		A3000-500PA	0-500	A3000-30KPA	0-30
A3060	0-60			A3000-750PA	0-750		
A3080	0-80					Zero Center Ranges	
A3100	0-100					Model	Range, kPa
A3150	0-150					A3300-1KPA	.5-0-.5
Bi-Directional Range						A3300-3KPA	1.5-0-1.5
A3000-00N	.05-.20						

OPTIONS	
To order add suffix:	Description
-SRH	Single relay activates on increase
-SRL	Single relay activates on decrease
-OLS	OEM model
-RMR	Remote mounted relay
-TAMP	Tamper proof knobs
-MP	Medium pressure
-HP	High pressure
-LT	Low temperature (-20°F)
-NIST	NIST traceable calibration certificate

ACCESSORIES	
Model	Description
A-298	Flat flush mounting bracket
A-601	Manual reset switch net

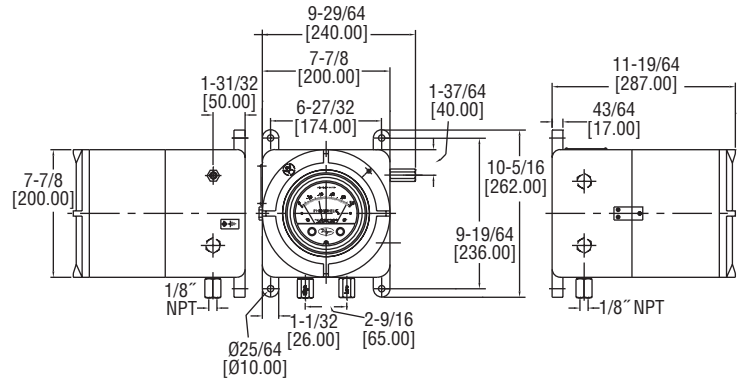
Note: Special models can be built to OEM customers' specifications with scales reading in special pressure units like ounces per square inch, inches of mercury, etc. Square Root Scales reading in FPM or SCFM are also available. Custom logos and special graduations can also be included. Contact factory for minimum quantities and pricing.

Process Tubing Options: See page 443 (Gage Tubing Accessories)



ATEX APPROVED PHOTOHELIC® SWITCH/GAGES WITH 120, 240 OR 24 VAC POWER

Photohelic® Switch/Gages in Flame-Proof ATEX Enclosures



Flame-proof ATEX approved **SERIES AT3A3000** Photohelic® Switch/Gages function as versatile, highly repeatable pressure switches combined with a precise pressure gage employing the time-proven Magnehelic® gage design. The Photohelic® switch/gage measures and controls positive, negative or differential pressures of air and compatible gases. Standard models are rated to 25 psig (1.7 bar) with options to 35 psig (2.4 bar) or 80 psig (5.5 bar). Two phototransistor actuated, DPDT relays are included for low/high limit control. Easy to adjust set point indicators are controlled by knobs located on the gage face (accessible opening case after de-energizing instrument). Set points can be interlocked to provide variable dead band—ideal for control of fans, dampers, etc. Gage reading is continuous and unaffected by switch operation, even during loss of electrical power. Flame-proof ATEX enclosures are available in aluminum with glass window which allows for viewing of set point needles and process pressure.

FEATURES/BENEFITS

- 3-in-1 ATEX approved instrument allows the reduction of several instruments with one product, saving inventory, installation time and money
- Flame-proof ATEX enclosure with optional glass window and aluminum housing protects the device in hazardous areas while giving local visibility to process pressure and set point status

APPLICATIONS

- Hazardous area pressure measurement and switching
- Air conditioning systems
- Clean rooms
- Fume exhaust systems

Attention: Check local safety rules and warnings on unit and manual for a correct use of the instrument in hazardous area.

SPECIFICATIONS

Service: Air and non-combustible, compatible gases.
Wetted Materials: Consult factory.
Housing material: Aluminum.
Finishing: Texture epoxy coat RAL7038.
Accuracy: ±2% of FS at 70°F (21.1°C); ±3% on -0 and ±4% on -00 models.
Pressure Limits: -20 in Hg to 25 psig (-0.677 to 1.72 bar). MP option; 35 psig (2.4 bar), HP option; 80 psig (5.52 bar).
Temperature Limits: 20 to 120°F (-6.67 to 48.9°C) LT low temperature option to -20°F available; Case: -76 to 140°F (-60 to 60°C) (**Note:** Product temperature limits differ from case).
Dial Size: 4" (101.6 mm).
Mounting Orientation: Diaphragm in vertical position.
Set Point Adjustment: Adjustable knobs on Photohelic® gage face behind enclosure cover. Follow instructions and safety warnings to open cover.

SWITCH SPECIFICATIONS

Switch Type: Each setpoint has 2 Form C relays (DPDT).
Repeatability: ±1% of FS.
Electrical Rating: 10 A @ 28 VDC, 10 A @ 120, 240 VAC.
Electrical Wiring: Screw terminals.
Power Requirements: 120 VAC, 50/60 Hz; 240 VAC & 24 VAC power optional.
Enclosure Rating: IP66, IP65 with option OPV, overpressure relief valve.
Process Connections: 1/8" NPT female brass (SS optional). In presence of acetylene it is necessary to use SS.
Electrical Connections: Three 1/2" NPT female. Cable gland not included.
Weight: 28.4 lb (12.9 kg).
ATEX Approved Products from Comhas with ECN: BVI 14ATEX0072.
Agency Approvals: CE 1370 Ex II2 GD Ex d IIC Gb T6; -60°C ≤ Ta ≤ +60°C Ex tb IIIC Db T 85°C.

RANGE CHART					
Model	Range in w.c.	Model	Range in w.c.	Model	Range in w.c.
A3000-00	0 to .25	A3006	0 to 6.0	A3040	0 to 40
A3000-0	0 to .50	A3008	0 to 8.0	A3050	0 to 50
A3001	0 to 1.0	A3010	0 to 10	A3060	0 to 60
A3002	0 to 2.0	A3015	0 to 15	A3080	0 to 80
A3003	0 to 3.0	A3020	0 to 20	A3100	0 to 100
A3004	0 to 4.0	A3025	0 to 25	A3150	0 to 150
A3005	0 to 5.0	A3030	0 to 30		

MODEL CHART												
Example	AT3	A3001	-120VAC	-X	X	X	-A	B	1	X	T2	AT3A3001-120VAC-XXX-AB1XT2
Housing	AT3											ATEX Approved Series A3000 Photohelic® Switch/Gages
Range		A3XXX										Specify range by wiring Photohelic® model number. See range chart.
Power			120VAC 240VAC 24VAC									Power requirement 120 VAC Power requirement 240 VAC Power requirement 24 VAC
Pressure Rating					X							Standard -25 in Hg to 25 psig Medium pressure max. static 35 psig High pressure max. static 80 psig
Construction					X							Standard silicone construction
Temperature Rating						X						Standard temperature 20 to 120°F Low temperature to -20°F
Housing Material							A					Aluminum
Cover								B	O			Blind Glass cover
Process Connection										1 2		1/8" NPT female brass ports 1/8" NPT female SS ports
Overpressure Plug										X	OPV	Standard without overpressure relief valve Overpressure relief valve Material same as ports
Tag											T2	SS information label

Differential Pressure Gages/Switches, Dial

CAPSU-PHOTOHELIC® PRESSURE SWITCH/GAGES

Lo-Limit and Hi-Limit Control, Aluminum or Brass Case Available

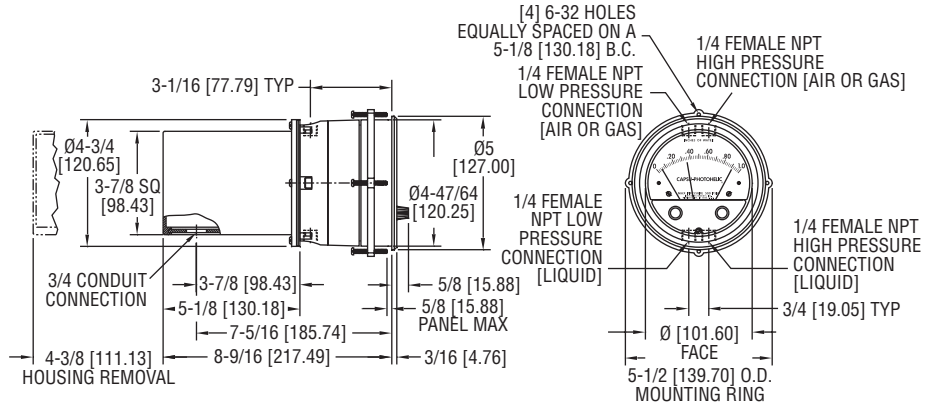
Set points are instantly adjusted with front knobs.



Series 43000
Capsu-Photohelic® Switch/Gage



Series 43000
Capsu-Photohelic® Switch/Gage with Brass Body



SERIES 43000 Capsu-Photohelic® Switch/Gages function as versatile, highly repeatable pressure switches combined with a precise pressure gage employing the time-proven Magnehelic® gage design. The Capsu-Photohelic® switch/gage employs an encapsulated sensing element for use with both liquids and gases at pressures to 500 psig (34 bar). Optional cast brass case is available for water or water based liquids. Two phototransistors actuated, DPDT relays are included for low/high limit control. Easy to adjust set point indicators are controlled by knobs located on the gage face. Individual set point deadband is one pointer width — less than 1% of full scale. Set points can be interlocked to provide variable deadband — ideal for control of pumps.

FEATURES/BENEFITS

- Gage capsule permits high-pressure usage with small differentials
- Zero and range adjustments outside of gage means no disassembly in normal service
- Time-proven, simple, frictionless movement that permits full scale readings as low as 0.5 in w.c.
- Photo-electronic relays provide fast-acting switching with variable deadband control for chatter-free operation

APPLICATIONS

- Pump control
- Pumping systems
- Waste water
- Compatible liquid or gas applications

MODEL CHART			
Model	Range in w.c.	Model	Range in w.c.
43000-0	0-.5	43050	0-50
43001	0-1.0	43060	0-60
43002	0-2.0	43080	0-80
43003	0-3.0	43100	0-100
43004	0-4.0	43150	0-150
43005	0-5.0	43200	0-200
43006	0-6.0	43300	0-300
43008	0-8.0	43400	0-400
43010	0-10	43500	0-500
43015	0-15	43302	1-0-1
43020	0-20	43304	2-0-2
43025	0-25	43310	5-0-5
43030	0-30	43320	10-0-10
43040	0-40	43330	15-0-15

ACCESSORY	
Model	Description
A-298	Flat aluminum bracket for flush mounting

SPECIFICATIONS

GAGE SPECIFICATIONS
Service: Compatible gases and liquids. Brass case option required for water based liquids.
Wetted Materials: Consult factory.
Accuracy: ±3% of FS at 70°F (21.1°C). ±4% on 43215, 43220 and 43500.
Pressure Limits: -20 Hg to 500 psig (-0.677 to 34.5 bar).
Temperature Limits: 20 to 120°F (-6.67 to 48.9°C). Low temperature option available.
Process Connections: 1/4" female NPT.
Size: 4" (101.6 mm) dial face, 5" (127 mm) OD x 9-3/16" (233.36 mm).
Weight: 5 lb, 8 oz (2.49 kg). Brass 11 lb, 2 oz (5.05 kg).

SWITCH SPECIFICATIONS
Switch Type: Each setpoint has 2 form C relays (DPDT).
Repeatability: ±1% of FS.
Electrical Rating: 10 A @ 120 VAC, 6 A @ 240 VAC, 60 Hz res. 10 A @ 28 VDC.
Electrical Connections: Screw terminals.
Power Requirements: 120 VAC, 50/60 Hz; 240 VAC & 24 VAC power optional.
Mounting Orientation: Diaphragm in vertical position. Consult factory for other position orientations.
Set Point Adjustment: Adjustable knobs on face.

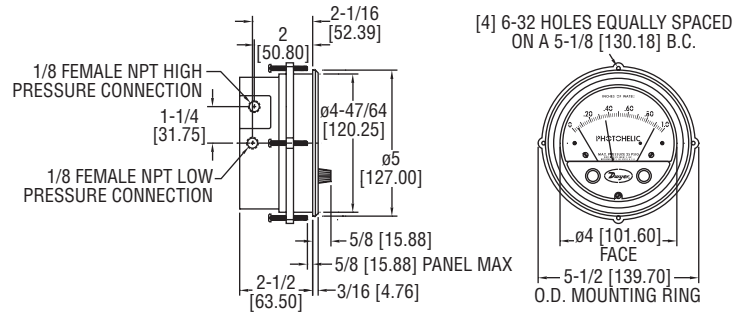
OPTIONS

Single Contact	
Right set point, for actuation on increasing or decreasing pressure.	
Power Supply	
24 VAC or 220 VAC powered relay pack.	
Remote-Mounted Relay	
Relay pack may be mounted remotely from gage. Specify cable length required.	
Tamper-proof Knobs	
Low temperature option, special scales, voltages and other features and modifications are available.	
Special Housing	
Available include Weatherproof (NEMA 4) and Explosion-proof (NEMA 7 C, D, 9 E, F, G; NEC Class I, Div. 1 & 2, Groups C, D, Class II, Div. 1 & 2, Groups E, F, G, Class III. Contact Customer Service for detailed dimension drawings.	
To order add suffix:	Description
B	Brass body; For water based liquids order optional brass case
Example: 43001B	
-NIST	NIST traceable calibration certificate
Example: 43001-NIST	

Differential Pressure Gages/Switches, Dial

PHOTOHELIC® SWITCH/GAGES

Combines Differential Pressure Gage with Low/High Set-Points, Compact Size



Using solid state technology, the **SERIES 3000MR AND 3000MRS** Photohelic® Switch/Gages combine the functions of a precise, highly repeatable differential pressure switch with a large easy-to-read analog pressure gage employing the durable, time-proven Magnehelic® gage design. Switch setting is easy to adjust with large external knobs on the gage face. Gage reading is unaffected by switch operation - will indicate accurately even if power is interrupted. Solid state design now results in greatly reduced size and weight. Units can be flush mounted or surface mounted with hardware supplied. 3000MR models employ versatile electromechanical relays with gold over silver contacts - ideal for dry circuits. For applications requiring high cycle rates, choose 3000MRS models with SPST (N.O.) solid state relays. All models provide both low and high limit control and include 18-inch (45 cm) cable assemblies for electrical connections. Compatible with air and other non-combustible, non-corrosive gases, they can be used in systems with pressures to 25 psig (1.725 bar). Optional construction is available for use to either 35 psig (2.42 bar) or 80 psig (5.51 bar).

FEATURES/BENEFITS

- Gage reading unaffected by switch operation and will continue to read pressure even during power loss
- Zero and range adjustments outside of gage means no disassembly in normal service
- Solid-state design allows for switching in high cycle rate applications without degradation

APPLICATIONS

- Pneumatic conveying
- Air conditioning systems
- Clean rooms

MODEL CHART						
Model	Range, in w.c.	Minor Divs.	Price	Model	Range, in w.c.	Minor Divs.
3000MR-00	0-0.25	.005	\$311.00	3000MRS-00**	0-0.25	.005
3000MR-0	0-0.5	.01	299.00	3000MRS-0*	0-0.5	.01
3001MR	0-1.0	.02	299.00	3001MRS	0-1.0	.02
3002MR	0-2.0	.05	299.00	3002MRS	0-2.0	.05
3003MR	0-3.0	.10	299.00	3003MRS	0-3.0	.10
3005MR	0-5.0	.10	299.00	3005MRS	0-5.0	.10
3010MR	0-10	.20	299.00	3010MRS	0-10	.20
3015MR	0-15	.50	299.00	3015MRS	0-15	.50
3020MR	0-20	.50	299.00	3020MRS	0-20	.50
3030MR	0-30	1.0	299.00	3030MRS	0-30	1.0
3050MR	0-50	1.0	299.00	3050MRS	0-50	1.0
3100MR	0-100	2.0	299.00	3100MRS	0-100	2.0

Model	Range, Pascals	Minor Divs.	Price	Model	Range, Pascals	Minor Divs.
3000MR-60PA*	0-60	2.0	\$311.00	3000MRS-60PA*	0-60	2.0
3000MR-125PA	0-125	5.0	299.00	3000MRS-125PA	0-125	5.0
3000MR-250PA	0-250	5.0	299.00	3000MRS-250PA	0-250	5.0
3000MR-500PA	0-500	10.0	299.00	3000MRS-500PA	0-500	10.0

Model	Range, kPa	Minor Divs.	Price	Model	Range, kPa	Minor Divs.
3000MR-1KPA	0-1.0	.02	\$299.00	3000MRS-1KPA	0-1.0	.02
3000MR-3KPA	0-3.0	.10	299.00	3000MRS-3KPA	0-3.0	.10
3000MR-4KPA	0-4.0	.10	299.00	3000MRS-4KPA	0-4.0	.10

Model	Range, mm w.c.	Minor Divs.	Price	Model	Range, mm w.c.	Minor Divs.
3000MR-6MM*	0-6	.20	\$311.00	3000MRS-6MM*	0-6	.20
3000MR-10MM	0-10	.50	299.00	3000MRS-10MM	0-10	.50
3000MR-25MM	0-25	.50	299.00	3000MRS-25MM	0-25	.50
3000MR-50MM	0-50	1.0	299.00	3000MRS-50MM	0-50	1.0
3000MR-100MM	0-100	2.0	299.00	3000MRS-100MM	0-100	2.0

Model	Range, cm w.c.	Minor Divs.	Price	Model	Range, cm w.c.	Minor Divs.
3000MR-20CM	0-20	.50	\$299.00	3000MRS-20CM	0-20	.50

*±3% of full-scale. **±4% of full-scale.

Note: To order, select either MR or MRS suffix to Series 3000 number.
Examples: 3001MR or 3001MRS

SPECIFICATIONS

GAGE SPECIFICATIONS
Service: Air and non-combustible, compatible gases.
Wetted Materials: Consult factory.
Accuracy: ±2% of FS (3000-0 ±3% of FS), (3000-00 ±4% of FS).
Pressure Limit: -20" Hg. to 25 psig (-0.677 bar to 1.72 bar). MP option: 35 psig (2.41 bar), HP option: 80 psig (5.52 bar).
Temperature Limits: 20 to 120°F (-6.67 to 48.9°C).
Process Connections: 1/8" female NPT (duplicated side and back).
Size: 4" (101.6 mm) dial face, 5" (127 mm) OD x 3-1/8" (79.38 mm).
Weight: 1.8 lb (816 g).

SWITCH SPECIFICATIONS 3000MR
Switch Type: Each setpoint has 1 form C relays (SPDT).
Relay Contacts: (Resistive load) 1 form C rated 1.0A @ 30 VDC, 0.3A @ 110 VDC or 0.5A @ 125 VAC. Gold over clad silver - suitable for dry circuits.
Electrical Connections: 18" (46 cm) cable assembly with 8 conductors. Optional lengths to 100' (30.5 m).

Power Requirements: 24 VDC, regulated ±10%.
Mounting Orientation: Diaphragm in vertical position. Consult factory for other position orientations.
Set Point Adjustment: Adjustable knobs on face.
Agency Approvals: CE.

SWITCH SPECIFICATIONS 3000MRS
Switch Type: Each setpoint has a solid state relay.
Switching Voltage: 20-280 VAC (47-63 Hz).
Switching Current: 1.0 amp (AC) max., 0.01 mA (AC) min., (2) SPST NO.
Electrical Connections: 18" (46 cm) cable assembly with 6 conductors, optional lengths to 100' (30.5 m).
Power Requirements: 24 VDC, regulated ±10%.
Mounting Orientation: Diaphragm in vertical position. Consult factory for other position orientations.
Set Point Adjustment: Adjustable knobs on face.
Agency Approvals: CE.

ACCESSORIES

Model	Description
A-298	Flat aluminum bracket for flush mounting 3000MR/MRS
A-370	Mounting bracket flush mount 3000MR/MRS bracket. Bracket is then surface mounted. Steel with gray hammertone epoxy finish
A-600	R/C snubber recommended for inductive loads like a solenoid or contactor

ACCESSORIES - STANDARD

Description
 Mounting ring, snap ring, 18" (45 cm) cable assembly, (2) 3/16" tubing to 1/8" NPT adapters, (2) 1/8" NPT pipe plugs, (4) 6-32 x 1-1/4" RH machine screws (panel mounting), (3) 6-32 x 5/16" RH machine screws (surface mounting)

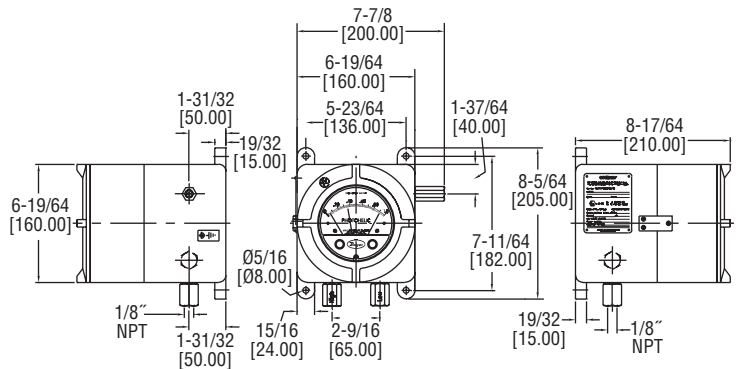
OPTIONS

To order add suffix:	Description
-TAMP	Tamper-proof knobs; require spanner key (supplied) to change setpoints
-LT	Low temperature option; for use under 20°F (-6.7°C)
-MP	Medium pressure; increases maximum rated pressure to 35 psig (2.41 bar)
-HP	High pressure; increases maximum rated pressure to 80 psig (5.5 bar)
-WP	Weatherproof housing option
-NIST	NIST traceable calibration certificate

Example: 3001MR-NIST

ATEX APPROVED PHOTOHELIC® SWITCH/GAGES WITH 24 VDC POWER

3000MR or 3000MRS Series in Flame-Proof ATEX Enclosures



Using solid state technology, the **SERIES AT23000MR AND AT23000MRS** ATEX Approved Photohelic® Switch/Gages combine the functions of a precise, highly repeatable differential pressure switch with a large easy-to-read analog pressure gage. Gage reading is unaffected by switch operation and will indicate accurately even if power is interrupted. AT23000MR series employ versatile electromechanical relays with low amperage ratings-ideal for dry circuits. For applications requiring high cycle rates, choose AT23000MRS models with SPST (NO) solid state relays. Easy to adjust set point indicators are controlled by knobs located on the gage face (accessible opening case after de-energizing instrument). All models provide both low and high limit control. Compatible with air and other non-combustible, non-corrosive gases, they can be used in systems with pressures to 25 psig (1.725 bar). Optional construction is available for use to either 35 psig (2.42 bar) or 80 psig (5.51 bar). Flame-proof ATEX enclosures are available with glass window which allows for viewing of set point needles and process pressure. Compatible with air and other non-combustible, non-corrosive gases, they can be used in systems with pressures to 25 psig (1.725 bar). Optional construction is available for use to either 35 psig (2.42 bar) or 80 psig (5.51 bar).

FEATURES/BENEFITS

- Gage reading unaffected by switch operation and will continue to read pressure even during power loss
- Zero and range adjustments outside of gage means no disassembly in normal service
- Solid-state design allows for switching in high cycle rate applications without degradation
- Flame-proof ATEX enclosure with optional glass window and aluminum housing protects the device in hazardous areas while giving local visibility to process pressure and set point status

APPLICATIONS

- Hazardous area pressure measurement and switching
- Pneumatic conveying
- Air conditioning systems
- Clean rooms
- Fume exhaust systems

Attention: Check local safety rules and warnings on unit and manual for a correct use of the instrument in hazardous area.

RANGE CHART					
Model	Range in w.c.	Minor Divis.	Model	Range, Pa	Minor Divis.
3000-00	0 to 0.25	.005	3000-60 Pa	0 to 60	2.0
3000-0	0 to 0.5	.01	3000-125 Pa	0 to 125	5.0
3001	0 to 1.0	.02	3000-250 Pa	0 to 250	5.0
3002	0 to 2.0	.05	3000-500 Pa	0 to 500	10.0

MODEL CHART												
Example	AT2	3001	MR	-X	X	X	-A	B	1	X	T2	AT23001MR-XXX-AB1XT2
Housing	AT2											ATEX Approved Series 3000 MR/MRS Photohelic® Switch/Gages
Range		3XXX										Specify range by using Photohelic® model number. See range cart.
Relay			MR MRS									Electromechanical relay Solid state relay
Pressure Rating				X MP HP								Standard -25 in Hg to 25 psig Medium pressure max. static 35 psig High pressure max. static 80 psig
Construction					X							Standard silicone construction
Temperature Rating						X LT						Standard temperature 20 to 120°F Low temperature to -20°F
Housing Material							A					Aluminum
Cover								B O				Blind Glass top cover
Process Connection									1 2			1/8" NPT female brass ports 1/8" NPT female SS ports
Overpressure Plug										X OPV		Standard without overpressure relief valve Overpressure relief valve Material same as ports
Tag											T2	SS information label

SPECIFICATIONS

Service: Air and non-combustible, compatible gases.
Wetted Materials: Consult factory.
Housing Material: Aluminum.
Finishing: Texture epoxy coat RAL7038.
Accuracy: ±2% of FS at 70°F (21.1°C). ±3% on -0, -60 Pa and ±4% on -00 models.
Pressure Limits: -20 in Hg to 25 psig (-0.677 bar to 1.72 bar). MP option: 35 psig (2.41 bar), HP option: 80 psig (5.52 bar).
Temperature Limits: 20 to 120°F (-6.67 to 48.9°C). Option LT low temperature to -20°F (-28.8°C); Case: -76 to 140°F (-60 to 60°C). (Note: Product temperature limits differ from case).
Power Requirements: 24 VDC, regulated ±10%.
Electrical Wiring: Screw terminals.
Mounting Orientation: Diaphragm in vertical position.
Enclosure Rating: IP66. IP65 with option OPV, overpressure relief valve.
Process Connections: 1/8" NPT female brass (SS optional). In presence of acetylene it is necessary to use SS.
Electrical Connections: Two 1/2" NPT female. Cable gland not included.
Dial Size: 4" (101.6 mm).
Set Point Adjustment: Adjustable knobs on face behind enclosure cover. Follow instructions and safety warnings to open cover.
Weight: 12.5 lb (5.7 kg).
ATEX Approved Products from Comhas with ECN: BVI 14ATEX0072.
Agency Approvals: CE 1370 Ex II 2 GD Ex d IIC Gb T6; -60°C ≤ Ta ≤ +60°C Ex tb IIIC Db T 85°C.

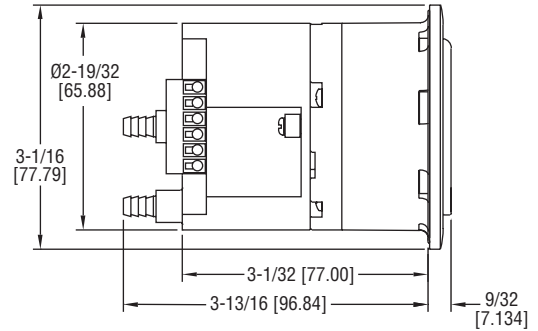
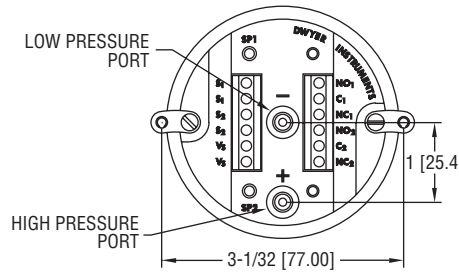
SWITCH SPECIFICATIONS (3000MR)
Switch Type: Each setpoint has 1 Form C relay (SPDT).
Relay Contacts: (resistive load) 1 Form C rated 1.0 A @ 30 VDC, 0.3 A @ 110 VDC or 0.5 A @ 125 VAC. Gold over clad silver - suitable for dry circuits.

SWITCH SPECIFICATIONS (3000MRS)
Switch Type: Each setpoint has a solid state relay.
Switching Voltage: 20 to 280 VAC (47 to 63 Hz).
Switching Current: 1.0 amp (AC) max., 0.01 mA (AC) min., (2) SPST NO.

Differential Pressure Gages/Switches, Dial

MINI-PHOTOHELIC® DIFFERENTIAL PRESSURE SWITCH/GAGE

Compact, Low Cost Switch Gage



The **SERIES MP** Mini-Photohelic® differential pressure switch/gage combines the time proven Minihelic® II differential pressure gage with two SPDT switching set points. The Mini-Photohelic® switch/gage is designed to measure and control positive, negative, or differential pressures consisting of non-combustible and non-corrosive gases. Gage reading is independent of switch operation. Switching status is visible by LED indicators located on the front and rear of the gage. Set points are adjusted with push buttons on back of unit

FEATURES/BENEFITS

- Gage reading unaffected by switch operation and will continue to read pressure even during power loss
- Visible switch status LED provides indication of set point switching state
- Compact design but with the power of larger devices can meet the same application specifications

APPLICATIONS

- Fume hoods
- Dust collection
- Pneumatic conveying
- Clean room

MODEL CHART			
Model	Range, Inches of Water	Model	Range, Pa
MP-000	0-0.5	MP-125PA	0-125
MP-001	0-1.0	MP-250PA	0-250
MP-002	0-2.0	MP-500PA	0-500
MP-003	0-3.0		
MP-005	0-5.0	Model	Range, kPa
MP-010	0-10	MP-1KPA	0-1
MP-020	0-20	MP-3KPA	0-3

SPECIFICATIONS

GAGE SPECIFICATIONS

- Service:** Air and non-combustible, compatible gases.
- Wetted Materials:** Consult factory.
- Accuracy:** ±5% of FS @ 70°F (21.1°C). Gage face mounted in vertical position.
- Pressure Limits:** 30 psig (2.067 bar).
- Temperature Limits:** 20 to 120°F (-6.7 to 49°C).
- Process Connections:** Barbed for 3/16" ID tubing (STD); 1/8" male NPT (optional).
- Size:** 4-1/8" (104.78 mm) depth x 3-1/16" (77.79 mm) diameter.
- Weight:** 23 oz (652 g).

SWITCH SPECIFICATIONS

- Switch Type:** (2) SPDT relays.
- Electrical Rating:** 5 A @ 120/240 VAC resistive; 5 A @ 30 VDC.
- Electrical Connections:** Screw type terminal block. Accepts 22-12 AWG wire.
- Power Requirements:** 24 VDC / 24 VAC 50/60 Hz 4 watts.
- Mounting Orientation:** Gage face in vertical position.
- Set Point Adjustment:** Push buttons.
- Standard Accessories:** (2) mounting screws, (1) .050" hex allen wrench.
- Agency Approvals:** CE, cULus.

OPTIONS

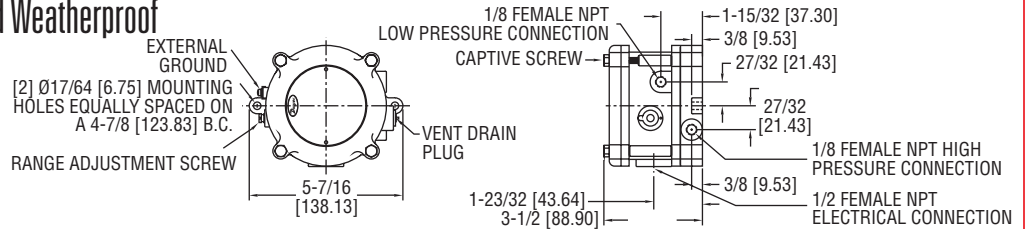
To order add suffix:	Description
-NPT	1/8" male NPT connections
Example: MP-000-NPT; Note: Allow additional lead time	
-NIST	NIST traceable calibration certificate
Example: MP-005-NIST	

ACCESSORIES

Model	Description
A-301	Static pressure tip for 1/4" metal tubing connection
A-302	Static pressure tip for 3/16" and 1/8" I.D. plastic or rubber tubing
A-302F-A	303 SS static pressure tip with mounting flange; for 3/16" ID rubber or plastic tubing; 4" insertion depth; includes mounting screws
A-489	4" straight static pressure tip with flange

EXPLOSION-PROOF DIFFERENTIAL PRESSURE SWITCH

Compact, Low Cost, Explosion-proof and Weatherproof



SERIES 1950 Explosion-proof Differential Pressure Switch combines the best features of the popular Dwyer® Series 1900 Pressure Switch with an integral explosion-proof and weatherproof housing, making it an exceptional value for either application. It is CE, UL and CSA listed, FM approved for use in Class I, Div 1, Groups C and D, Class II Groups E, F, and G and Class III hazardous atmospheres NEMA 7 & 9. Rain tight NEMA 3 (IP54), weatherproof features include a drain plug and O-ring seal in cover. Electrical connections are easily made by removing front cover. For convenience the set point adjustment screw is located on the outside of the housing. Twelve models offer set points from .03 to 20 in w.c. (0.0075 to 5 kPa) and from .5 to 60 psi (0.035 to 3.5 bar). The unit is very light and compact - about half the weight and bulk of other explosion-proof or weatherproof switches with separate enclosures. CAUTION: For use only with air or compatible gases. Applications with hazardous atmospheres and a single positive pressure may require special venting.

SPECIFICATIONS

Service: Air and non-combustible, compatible gases.
Wetted Materials: Consult factory.
Temperature Limits: -40 to 140°F (-40 to 60°C); 0 to 140°F (-17.8 to 60°C) for 1950P-8, 15, 25, and 50. -30 to 130°F (-34.4 to 54.4°C) for 1950-02.
Pressure Limits: Continuous: 1950's - 45 in w.c. (0.11 bar); 1950P's - 35 psi (2.41 bar); 1950P-50 only - 70 psi (4.83 bar). Surge: 1950's - 10 psi (0.69 bar), 1950P's - 50 psi (3.45 bar), 1950P-50 only - 90 psi (6.21 bar).
Enclosure Rating: NEMA 3 (IP54), NEMA 7 & 9.
Switch Type: Single-pole double-throw (SPDT).
Electrical Rating: 15 A @, 125, 250, 480 VAC, 60 Hz. Resistive 1/8 HP @ 125 VAC, 1/4 HP @ 250 VAC, 60 Hz.
Electrical Connections: 3 screw type, common, normally open and normally closed.
Process Connections: 1/8" female NPT.
Mounting Orientation: Diaphragm in vertical position. Consult factory for other position orientations.
Set Point Adjustment: Screw type on top of housing.
Weight: 3.25 lb (1.5 kg); 1950-02 model, 4.4 lb (2 kg).
Agency Approvals: CE, CSA, FM, UL.

FEATURES/BENEFITS

- Explosion-proof and weatherproof housing provides device protection for outdoor use or harsh environment operation
- External set point screw provides easy access that simplifies making adjustments without opening or disassembling enclosure
- Easily accessible electrical connection simplifies the installation

APPLICATIONS

- HVAC applications
- Process applications
- All-weather applications

MODEL CHART

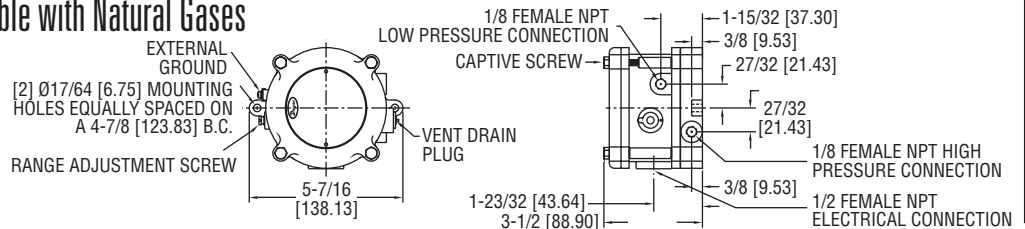
Model	Range, psid	Approximate Deadband		Model*	Range*	Approximate Deadband		Model	Range, in w.c.	Approximate Deadband	
		Min. Set Point	Max. Set Point			Min. Set Point	Max. Set Point			Min. Set Point	Max. Set Point
1950P-2-2F	0.5 to 2	0.3	0.3	1950P-50-2F	15 to 50	1.0	1.5	1950-1-2F	4 to 1.6	.15	.20
1950P-8-2F	1.5 to 8	1.0	1.0	1950-02-2S	.03 to .10	.025	.05	1950-5-2F	1.4 to 5.5	.30	.40
1950P-15-2F	3 to 15	0.9	0.9	1950-00-2F	.07 to .15	.04	.05	1950-10-2F	3 to 11	.40	.50
1950P-25-2F	4 to 25	0.7	0.7	1950-0-2F	.15 to .50	.10	.15	1950-20-2F	4 to 20	.40	.60

*P=PSID range models. Other ranges in w.c.

Caution: For use only with air or compatible gases. Applications with hazardous atmospheres and a single positive pressure may require special venting.

EXPLOSION-PROOF DIFFERENTIAL PRESSURE SWITCH

Explosion-proof, Weatherproof, Compatible with Natural Gases



SERIES 1950G Explosion-Proof Switch combines the best features of the popular Dwyer® Series 1950 Pressure Switch with the benefit of natural gas compatibility. Units are rain-tight for outdoor installations, and are UL listed for use in Class I, Groups A, B, C, & D; Class II, Groups E, F, & G and Class III atmospheres, Directive 94/9/EC (ATEX) Compliant for CE Ex II 2G Exd IIB+H2 T6, CSA & FM approved for Class I, Div. 1, Groups B, C, D; Class II, Div. 1, Groups E, F, G and Class III atmospheres IECEx Ex d IIB+H2 T6 (-40°C < Ta < +60°C). The 1950G is very compact, about half the weight and bulk of equivalent conventional explosion-proof switches. Easy access to the SPDT relay and power supply terminals is provided by removing the top plate of the aluminum housing. A supply voltage of 24 VDC, 120 or 240 VAC is required. A captive screw allows the cover to swing aside while remaining attached to the unit. Adjustment to the set point of the switch can be made without disassembly of the housing.

SPECIFICATIONS

Service: Air and compatible combustible gases.
Wetted Materials: Contact factory.
Temperature Limits: 0 to 140°F (-17 to 60°C). Note: Set point drift may occur with ambient temperature changes.
Pressure Limits: 45 in w.c. (11.2 kPa) continuous; 10 psig (68.95 kPa) surge.
Enclosure Rating: NEMA 3 (IP54), NEMA 7 & 9.
Switch Type: 1 Form C relay (SPDT).
Electrical Rating: 10 A, 120/240 VAC, 28 VDC. Resistive 50 mA, 125 VDC.
Power Requirements: 24 VDC ±10%. 120 or 240 VAC ±10% optional.
Electrical Connections: Internal terminal block.
Process Connections: 1/8" female NPT.
Mounting Orientation: Diaphragm in vertical position. Consult factory for other position orientations.
Set Point Adjustment: Screw type on top of housing.
Weight: 2 lb 15.7 oz (1.35 kg).
Agency Approvals: ATEX, CE, CSA, FM, IECEx, UL.

FEATURES/BENEFITS

- Compatible with natural gas and suitable making it suitable for use in those applications
- External set point screw provides easy access that simplifies making adjustments without opening or disassembling enclosure
- Easily accessible electrical connection simplifies the installation

APPLICATIONS

- Natural gas applications
- Process applications
- All-weather applications

MODEL CHART

UL, CSA, FM Model	ATEX Model	Range in w.c.	Approximate Deadband	
			Min. Set Point	Max. Set Point
1950G-00-B-24-NA	1950G-00-B-24	.07 to .15	.04	.06
1950G-0-B-24-NA	1950G-0-B-24	.15 to .50	.06	.11
1950G-1-B-24-NA	1950G-1-B-24	.4 to 1.6	.11	.29
1950G-5-B-24-NA	1950G-5-B-24	1.4 to 5.5	.4	.9
1950G-10-B-24-NA	1950G-10-B-24	3 to 11	.9	1.8
1950G-20-B-24-NA	1950G-20-B-24	4 to 20	1.2	3.0

240 VAC Models: 1950G-XX-B-240-NA; 120 VAC Models: 1950G-XX-B-120-NA.

HVAC DIFFERENTIAL PRESSURE SWITCH

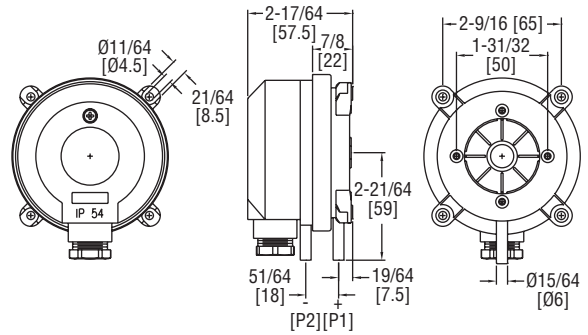
With Dual Scale Field Adjustable Set Point Knob



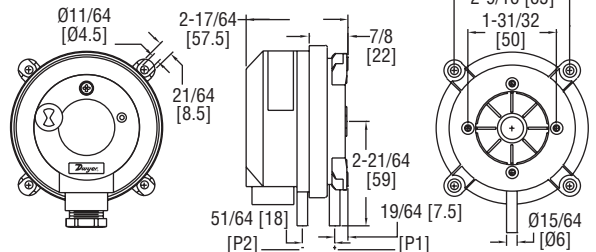
ADPS



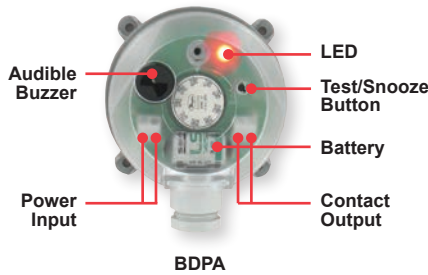
EDPS



ADPS/EDPS/BDPS



BDPA



BDPA



Scan here to watch product video

The **SERIES ADPS/EDPS/BDPA/BYDS** Adjustable Differential Pressure Switch is designed for pressure, vacuum, and differential pressures. The dual scaled adjustment knob in inches water column and pascals allows changes to the switching pressure to be made without a pressure gage. The ADPS/EDPS/BDPA is available with settings from 0.08 in w.c. (20 Pa) up to 20 in w.c. (5000 Pa). The silicone diaphragm and PA 6.6 body make the series ADPS ideal for use with air and other noncombustible gases. Series EDPS models meet UL508 and are constructed of plenum rated plastics. The series BDPA Adjustable Differential Pressure Alarms offer a versatile range of configurations allowing utilization of their many features including buzzer and LED notification, and battery or line powered. The compact size, adjustment knob and low cost make the ADPS/EDPS/BDPA the perfect choice for HVAC applications.

FEATURES/BENEFITS

- Adjustment knob changes switching pressure easily with a pressure gage reducing components for application
- Low cost device makes it an excellent solution in BAS and HVAC applications requiring duct control and monitoring
- Relay contact allows simple integration with DDC or building systems

APPLICATIONS

- Air filter and ventilator monitoring
- Industrial cooling circuits
- Fire-protection damper control
- Ventilation duct monitoring
- Fan heater overheating protection
- Heat exchanger frost protection

SPECIFICATIONS

Service: Air and non-combustible, compatible gases.
Wetted Materials: ADPS/BYDS: Diaphragm material: Silicone; Housing material: POM; Switch body: PA 6.6; Cover: Polystyrene; EDPS: Diaphragm material: Silicone; Housing material: Switch body: PA 6.6; Cover: Polystyrene; Materials UL 94 V-0 rated.
Temperature Limits: Process and ambient temperature from -4 to 185°F (-20 to 85°C).
Pressure Limits: Max. operating pressure: 40 in w.c. (10 kPa) for all pressure ranges.
Switch Type: Single-pole double-throw (SPDT).

Electrical Rating: Max. 1.5 A res./0.4 A ind./250 VAC, 50/60 Hz; Max. switching rate: 6 cycles/min.
Electrical Connections: Push-on screw terminals. M20x1.5 with cable strain relief or optional 1/2" NPT.
Process Connections: 5/16" (7.94 mm) outside diameter tubing, 1/4" (6.0 mm) inside diameter tubing.
Enclosure Rating: NEMA 13 (IP54).
Mounting Orientation: Vertically, with pressure connections pointing downwards.
Mechanical Working Life: Over 106 switching operations.
Weight: 5.6 oz (160 g).
Agency Approvals: CE, ETL approved to UL508 and CSA C22.2#14 (EDPS only).

MODEL CHART - ADPS			
Model	Set Point Range in w.c. (Pa)	Approx. Dead Band @ Min Set Point in w.c. (Pa)	Approx. Deadband @ Max Set Point in w.c. (Pa)
ADPS-08-2-N	0.08 to 1.20 (20-300)	0.04 (10)	0.05 (12)
ADPS-04-2-N	0.12 to 1.60 (30-400)	0.06 (15)	0.09 (22)
ADPS-03-2-N	0.20 to 2.00 (50-500)	0.08 (20)	0.09 (23)
ADPS-05-2-N	0.80 to 4.00 (200-1000)	0.4 (100)	0.5 (130)
ADPS-06-2-N	2.00 to 10.00 (500-2500)	0.6 (150)	0.8 (200)
ADPS-07-2-N	4.00 to 20.00 (1000-5000)	1.0 (250)	1.4 (350)

Note: For optional 1/2" NPT conduit connection, change -2-N to -1-N. Models that include installer kit add -C to the end of the model number (-2-N cable gland models only). Installer kit includes two static tips and 7 ft of PVC tubing. Order installer kit separately with 1/2" NPT conduit connection models. See A-481 in the accessories list.

MODEL CHART - EDPS			
Model	Set Point Range in w.c. (Pa)	Approx. Dead Band @ Min Set Point in w.c. (Pa)	Approx. Dead Band @ Max Set Point in w.c. (Pa)
EDPS-08-1-N	0.08 to 1.20 (20-300)	0.04 (10)	0.05 (12)
EDPS-04-1-N	0.12 to 1.60 (30-400)	0.06 (15)	0.09 (23)
EDPS-03-1-N	0.20 to 2.00 (50-500)	0.08 (20)	0.09 (23)
EDPS-05-1-N	0.80 to 4.00 (200-1000)	0.4 (100)	0.5 (130)
EDPS-06-1-N	2.00 to 10.00 (500-2500)	0.6 (150)	0.8 (200)
EDPS-07-1-N	4.00 to 20.00 (1000-5000)	1.0 (250)	1.4 (350)

Note: For optional M20 cable gland connection, change -1-N to -2-N.

MODEL CHART - BDPA			
Model	Set Point Range in w.c. (Pa)	Approx. Dead Band @ Min Set Point in w.c. (Pa)	Approx. Dead Band @ Max Set Point in w.c. (Pa)
BDPA-08-2-N	0.08 to 1.20 (20 to 300)	0.04 (10)	0.05 (12)
BDPA-04-2-N	0.12 to 1.60 (30 to 400)	0.06 (15)	0.09 (23)
BDPA-03-2-N	0.20 to 2.00 (50 to 500)	0.08 (20)	0.09 (23)
BDPA-05-2-N	0.80 to 4.00 (200 to 1000)	0.4 (100)	0.5 (130)
BDPA-06-2-N	2.00 to 10.00 (500 to 2500)	0.6 (150)	0.8 (200)
BDPA-07-2-N	4.00 to 20.00 (1000 to 5000)	1.0 (250)	1.4 (350)

MODEL CHART - BYDS	
Model	Description
BYDS	Bypass damper version
Note: All models available online.	



ACCESSORIES	
Model	Description
A-288	"L" type metal mounting bracket with screws
A-289	"S" type metal mounting bracket with screws
A-480	Plastic static pressure tip
A-481	Installer kit, includes 2 plastic static pressure tips & 7' (2.1 m) of PVC tubing
A-489	4" straight static pressure tip with flange

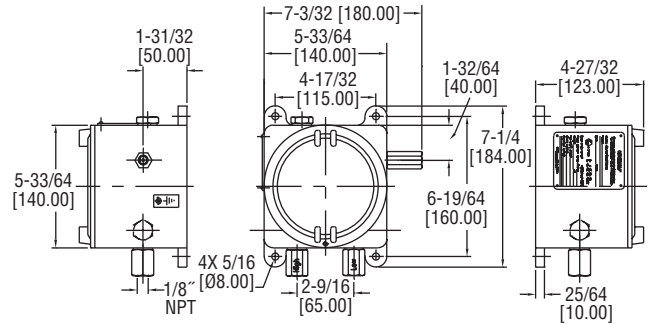


A-480

Process Tubing Options: See page 443 (Gage Tubing Accessories)

ATEX APPROVED ADPS ADJUSTABLE DIFFERENTIAL PRESSURE SWITCH

The ADPS in Flame-Proof ATEX Enclosure



The ATEX approved **SERIES AT1ADPS** Adjustable Differential Pressure Switch is designed for pressure, vacuum, and differential pressure applications in hazardous areas. The dual scaled adjustment knob in inches water column and Pascals allows changes to the switching pressure to be made without a pressure gage. The switch is available with settings from 0.08 in w.c. (20 Pa) up to 16 in w.c. (4000 Pa). The silicone diaphragm makes this series ideal for use with air and other noncombustible gases. Flame-proof ATEX enclosures are available in aluminum and can include a glass window for viewing set point status on adjustment knob.

FEATURES/BENEFITS

- Flame-proof ATEX enclosure with optional glass window and aluminum housing protects the device in hazardous areas while giving local visibility to set point status

APPLICATIONS

- Hazardous area pressure switch
- Air filter and ventilator monitoring
- Ventilation duct monitoring
- Industrial cooling circuits
- Fan heater overheating protection
- Fire-protection damper control
- Heat exchanger frost protection

SPECIFICATIONS

Service: Air and non-combustible, compatible gases.
Wetted Materials: Diaphragm material: Silicone; Housing material: Switch body: PA 6.6 and POM; Cover: Polystyrene; Brass or SS depending on pressure connections chosen.
Temperature Limits: Process and ambient temperature from -4 to 185°F (-20 to 85°C); Case: -76 to 140°F (-60 to 60°C) (**Note:** Product temperature limits differ from case).
Pressure Limits: 40 in w.c. (10 kPa).
Switch Type: SPDT.
Electrical Rating: Standard: Max. 1.5 A @ 250 VAC, max. switching rate: 6 cycles/min.
Set Point Adjustment: Hand knob on pressure switch inside case. (De-energize before opening case).
Mounting Orientation: Vertically, with pressure connections pointing downwards.
Mechanical Working Life: Over 10⁶ switching operations.
Enclosure Rating: IP66. IP65 with option OPV, overpressure relief valve.
Housing Material: Aluminum.
Finishing: Texture epoxy coat RAL7038.
Process Connections: 1/8" NPT female brass (SS optional). In presence of acetylene it is necessary to use SS.
Electrical Connections: Two 1/2" NPT female. Cable gland not included.
Weight: 7 lb (3.2 kg).
ATEX Approved Products from Comhas with ECN: BVI 14ATEX0072.
Agency Approvals: CE 1370 Ex II2 GD Ex d IIC Gb T6; -60°C ≤ Ta ≤ +60°C Ex tb IIIC Db T 85°C.

MODEL CHART										
Example	AT1ADPS	-08	-2	-N	-A	O	1	X	T2	AT1ADPS-08-2-N-AO1XT2
Series	AT1ADPS									ATEX approved ADPS adjustable differential pressure switch
Range		08 04 03 05 06 07								.08 to 1.2 in w.c. (20 to 300 Pa) .12 to 1.6 in w.c. (30 to 400 Pa) .2 to 2 in w.c. (50 to 500 Pa) .8 to 4 in w.c. (200 to 1000 Pa) 2 to 10 in w.c. (500 to 2500 Pa) 4 to 20 in w.c. (1000 to 5000 Pa)
Connection			2							Internal cable gland
Switch				N						1.5 A @ 250 VAC
Housing Material					A					Aluminum
Cover						B O				Blind Glass top cover
Process Connection							1 2			1/8" NPT female brass ports 1/8" NPT female SS ports
Overpressure Plug								X OPV		Standard without overpressure relief valve Overpressure relief valve Material same as ports
Tag									T2	SS information label

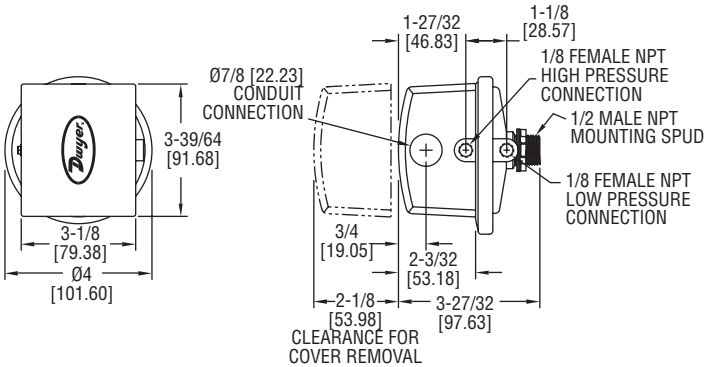


LOW DIFFERENTIAL PRESSURE SWITCHES FOR GENERAL INDUSTRIAL SERVICE

Set Points from 0.07 in w.c. to 85 in w.c. Repetitive Accuracy within 2%



1823 shown with new zinc plated clear finish



Scan here to watch product video

Essential for industrial environments, the **SERIES 1800** combines small size and low price with 2% repeatability for enough accuracy for all but the most demanding applications. Set point adjustment inside the mounting stud permits mounting switch on one side of a wall or panel with adjustment easily accessible on the opposite side. UL and CSA listed, and FM approved. For use with air or compatible gases.

FEATURES/BENEFITS

- Compact size and repeatability, provides a high-value switch for many industrial applications
- Designed for panel and wall mounting and provides easy access that simplifies making adjustments or changes to switch setting
- Wide range of models from 0.07 in w.c. to 85 in w.c. can meet exacting specifications for a low pressure switch

APPLICATIONS

- Process applications
- Mechanical equipment control

OPTIONS
Weatherproof Housing 16 ga. steel enclosure with gasketed cover (NEMA 4, IP66) for wet or oily conditions. Withstands 200 hour salt spray test. Wt. 5-1/2 lb (2.5 kg). Switch must be factory installed. Note: To order, change 1823 base number to 1824 and add -WP suffix. Example: 1824-1-WP
Explosion-Proof Housing Cast iron base with aluminum cover. Rated Class I, Div. 1 & 2, Group D; Class II, Div. 1 & 2, Groups E, F, G; Class III and NEMA 7 CD, 9 EFG. Wt. 7-1/2 lb (3.4kg). Switch must be factory installed. Note: To order, change 1823 base number to 1824 and add -EXPL suffix. Example: 1824-1-EXPL
MIL Environmental Construction Unlisted Model 1820 can be furnished with a special sealed snap switch for protection against high humidity, fungus and/or military applications. Similar to Model 1823 except deadband is slightly greater and some lower setpoints may not be possible. Note: To order, add -MIL suffix. Example: 1820-2-MIL

SPECIFICATIONS

Service: Air and non-combustible, compatible gases.
Wetted Materials: Consult factory.
Temperature Limits: -30 to 180°F (-34 to 82.2°C); 1823-00: -20 to 180°F (-28.9 to 82.2°C).
Pressure Limits: 10 psig (68.95 kPa) continuous, 25 psig (172.4 kPa) surge.
Switch Type: Single-pole double-throw (SPDT).
Repeatability: ±2%.
Electrical Rating: 15 A @ 120-480 VAC, 60 Hz. Resistive 1/8 HP @ 125 VAC, 1/4 HP @ 250 VAC, 60 Hz. De-rate to 10 A for operation at high cycle rates.
Electrical Connections: 3 screw type, common, normally open and normally closed.
Process Connections: 1/8" female NPT.
Mounting Orientation: Diaphragm in vertical position. Consult factory for other position orientations.
Set Point Adjustment: Screw type inside mounting stud.
Weight: 1 lb 5 oz (595 g).
Agency Approvals: CE, CSA, FM, UL. Optional-EXPL explosion-proof enclosure does not possess any agency approvals.

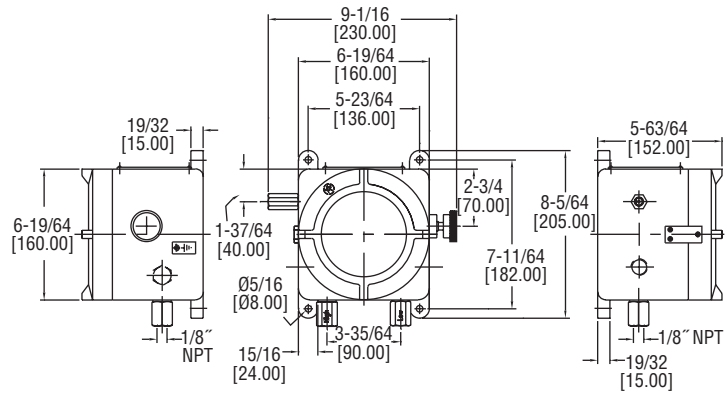
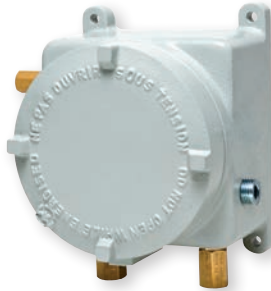
MODEL CHART			
Model	Operating Range, in w.c.	Approximate Deadband	
		At Min. Set Point	At Max. Set Point
1823-00	0.07 to 0.22	0.05	0.05
1823-0	0.15 to 0.5	0.06	0.06
1823-1	0.3 to 1.0	0.08	0.08
1823-2	0.5 to 2.0	0.10	0.12
1823-5	1.5 to 5.0	0.14	0.28
1823-10	2.0 to 10	0.18	0.45
1823-20	3 to 22	0.35	0.70
1823-40	5 to 44	0.56	1.10
1823-80	9 to 85	1.30	3.0

ACCESSORIES	
Model	Description
A-389	Mounting bracket; 16 ga. steel, zinc plated and dichromate dipped for corrosion resistance; provides rugged, permanent mounting and speeds installation
A-489	4" straight static pressure tip with flange
A-491	6" straight static pressure tip with flange
A-493	8" straight static pressure tip with flange
A-302F-A	303 SS static pressure tip with mounting flange; for 3/16" ID rubber or plastic tubing; 4" insertion depth; includes mounting screws
A-302F-B	303 SS static pressure tip with mounting flange; for 3/16" rubber or plastic tubing; 6" insertion depth; includes mounting screws
A-302F-C	303 SS static pressure tip with mounting flange; for 3/16" rubber or plastic tubing; 8" insertion depth; includes mounting screws

Process Tubing Options: See page 443 (Gage Tubing Accessories)

ATEX APPROVED 1823 DIFFERENTIAL PRESSURE SWITCH

The 1823 in Flame-Proof ATEX Enclosure



Essential for industrial environments, the ATEX approved **SERIES AT21823** combines small size with 2% repeatability. Set point adjustment inside the switch allows for set point settings across 9 ranges from the low of .07 in w.c. to a maximum 85 in w.c. differential pressure. Series AT21823 flame-proof ATEX enclosures are available in aluminum and are ideal for low pressure hazardous area applications. Various housing options such as an overpressure relief valve or external setpoint adjustment knob are available. External setpoint knob allows adjustment without opening the enclosure.

FEATURES/BENEFITS

- Compact size and repeatability, provides a high-value switch for many industrial applications
- External setpoint knob provides easy access that simplifies making adjustments without opening enclosure
- Flame-proof ATEX enclosure protects the device in hazardous areas

APPLICATIONS

- Hazardous area pressure switch
- Process applications
- Mechanical equipment control

Attention: Check local safety rules and warnings on unit and manual for a correct use of the instrument in hazardous area.

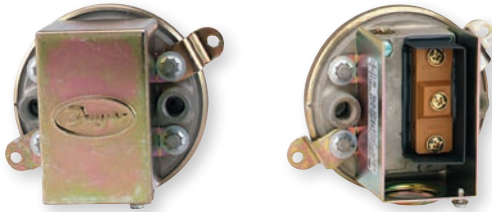
SPECIFICATIONS

Service: Air and non-combustible, compatible gases.
Wetted Materials: Consult factory.
Temperature Limits: -30 to 180°F (-34 to 82.2°C); 1823-00, -20 to 180°F (-28.9 to 82.2°C); Case: -76 to 140°F (-60 to 60°C) (Note: Product temperature limits differ from case).
Pressure Limits: 10 psig (68.95 kPa) continuous, 25 psig (172.4 kPa) surge.
Switch Type: SPDT.
Repeatability: ±2% FS.
Electrical Rating: 15 A @ 120 to 480 VAC, 60 Hz. Resistive 1/8 HP @ 125 VAC, 1/4 HP @ 250 VAC, 60 Hz. De-rate to 10 A for operation at high cycle rates.
Mounting Orientation: Diaphragm in vertical position.
Set Point Adjustment: Screw type inside mounting spud internal to switch. External setpoint adjustment knob optional.
Enclosure Rating: IP66. IP65 with option OPV, overpressure relief valve or external setpoint adjustment knob.
Housing Material: Aluminum.
Finishing: Texture epoxy coat RAL7038.
Process Connections: 1/8" NPT female brass (SS optional). In presence of acetylene it is necessary to use SS.
Electrical Connections: Two 1/2" NPT female. Cable gland not included.
Weight: 11.9 lb (5.4 kg).
ATEX Approved Products from Comhas with ECN: BVI 14ATEX0072.
Agency Approvals: CE 1370 Ex II 2 GD Ex d IIC Gb T6; -60°C ≤ Ta ≤ +60°C Ex tb IIIC Db T 85°C.

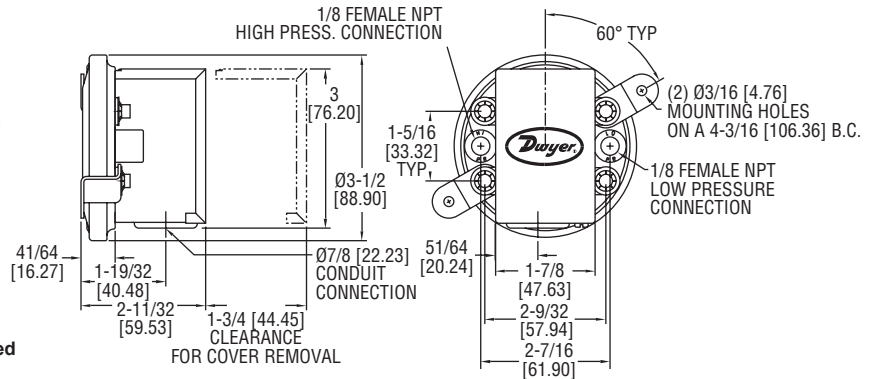
MODEL CHART									
Example	AT21823	-00	-A	O	K1	1	X	T2	AT21823-00-AOK11XT2
Series	AT21823								ATEX approved 1823 differential pressure switch
Range		00 0 1 2 5 10 20 40 80							.08 to .22 in w.c. (18 to 56 Pa) .15 to .5 in w.c. (38 to 127 Pa) .3 to 1 in w.c. (76 to 254 Pa) 5 to 2 in w.c. (127 to 508 Pa) 1.5 to 5 in w.c. (381 to 1270 Pa) 2 to 10 in w.c. (.5 to 2.5 kPa) 3 to 22 in w.c. (.76 to 5.6 kPa) 5 to 44 in w.c. (1.27 to 11.17 kPa) 9 to 85 in w.c. (2.28 to 21.6 kPa)
Housing Material			A						Aluminum
Cover				B O					Blind Glass top cover
Setpoint Adjustment					K1 K2				Without external setpoint adjustment knob With external setpoint adjustment knob
Process Connection						1 2			1/8" NPT female brass ports 1/8" NPT female SS ports
Overpressure Plug							X OPV		Standard without overpressure relief valve Overpressure relief valve Material same as ports
Tag								T2	SS information label

COMPACT LOW DIFFERENTIAL PRESSURE SWITCHES

Set Points from 0.07 in to 20 in w.c. Repetitive Accuracy within 3%



Series 1910 switch with conduit enclosure off. Shows electric switch and set point adjustment screw located on same side for easy installation.



The Dwyer-engineered force-motion amplifier increases the leverage of diaphragm movement and results in a switch with excellent sensitivity and repeatability.



Scan here to watch product video

Our most popular **SERIES 1900** combines advanced design and precision construction to make these switches able to perform many of the tasks of larger, costlier units. Designed for air conditioning service, they also serve many fluidics, refrigeration, oven and dryer applications. Series 1900 switches have set points from 0.07 to 20 in w.c. (1.8 to 508 mm). Set point adjustment is easy with range screw located inside conduit enclosure. Internal location helps prevent tampering. UL, CE and CSA listed, and FM approved. For use with air or compatible gases.

FEATURES/BENEFITS

- Compact size and repeatability, provides a high-value switch for many industrial and OEM applications
- Wide range of models from 0.07 in w.c. to 20 in w.c. can meet exacting OEM specifications for a low pressure switch
- Range screw protected inside enclosure provides simplifies making adjustments but prevents tampering

APPLICATIONS

- Air conditioning refrigeration coil icing detection; defrost cycle initiation.
- Clogged filter detection.
- Variable air volume controller

MODEL CHART			
Model	Operating Range, in w.c.	Approximate Deadband	
		At Min. Set Point	At Max. Set Point
1910-00	0.07 to 0.15	0.04	0.04
1910-0	0.15 to 0.55	0.10	0.10
1910-1	0.40 to 1.6	0.15	0.16
1910-5	1.40 to 5.5	0.30	0.30
1910-10	3.0 to 11.75	0.40	0.40
1910-20	4.0 to 20.0	0.40	0.50

ACCESSORIES	
Model	Description
A-399	Duct pressure monitor kit; for use with standard or manual reset model switches; includes mounting flange, tubing and adapters
A-329	Street ell; brass adapter for applications requiring right angle connections; two required for differential pressures
A-302F-A	303 SS static pressure tip with mounting flange; for 3/16" ID rubber or plastic tubing; 4" insertion depth; includes mounting screws
A-489	4" straight static pressure tip with flange

SPECIFICATIONS

Service: Air and non-combustible, compatible gases.
Wetted Materials: Consult factory.
Temperature Limits: -30 to 180°F (-34 to 82.2°C).
Pressure Limits: 45 in w.c. (11.2 kPa) continuous, 10 psig (68.95 kPa) surge.
Switch Type: Single-pole double-throw (SPDT).
Repeatability: ±3%.
Electrical Rating: 15 A @ 120-480 VAC, 60 Hz. Resistive 1/8 HP @125 VAC, 1/4 HP @ 250 VAC, 60 Hz. Derate to 10 A for operation at high cycle rates.

Electrical Connections: 3 screw type, common, normally open and normally closed.
Process Connections: 1/8" female NPT.
Mounting Orientation: Diaphragm in vertical position. Consult factory for other position orientations.
Set Point Adjustment: Screw type inside conduit enclosure.
Weight: 1 lb 4.5 oz (581 g).
Agency Approvals: CE, CSA, FM, and UL. Optional-EXPL explosion-proof enclosure does not possess any agency approvals.

OPTIONS

Weatherproof Housing
 16 ga. steel enclosure with gasketed cover (NEMA 4, IP66) for wet or oily conditions. Withstands 200 hour salt spray test. Wt. 5-1/2 lb (2.5 kg). Switch must be factory installed.
Note: To order, change 1910 base number to 1911 and add -WP suffix.
Example: 1911-1-WP

Explosion-Proof Housing
 Cast iron base with brass cover. Rated Class I, Groups D; Class II, Div. 2, Groups E, F, G; Class III and NEMA 7, 9 NEMA 3. (7 lb). Switch must be factory installed.
Note: To order, change 1910 base number to 1911 and add -EXPL suffix.
Example: 1911-1-EXPL

Manual Reset Option (Model 1900 MR)
 Includes special snap switch which latches on pressure increase above the setpoint. Switch must be manually reset after pressure drops below the setpoint. Available on -1, -5, -10 or -20 ranges only. Option is not UL, CSA or FM listed. For use only in single positive pressure applications.
Note: To order, change 1910 base number to 1900 and add -MR suffix.
Example: 1900-10-MR

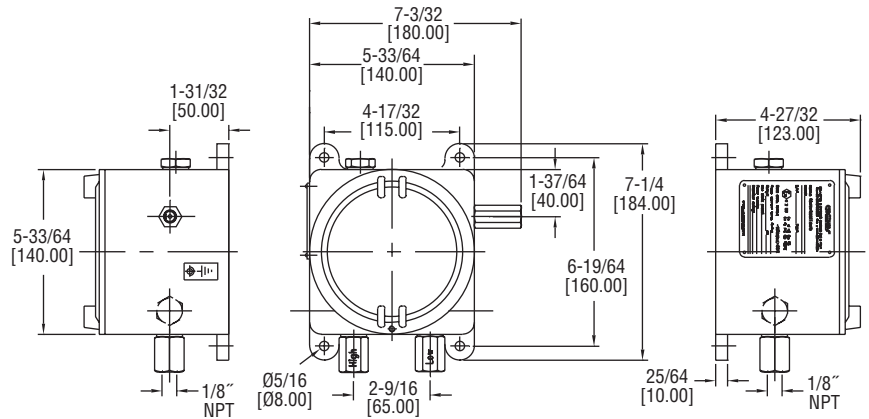
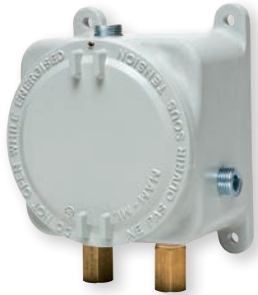


Manual Reset Option

Process Tubing Options: See page 443 (Gage Tubing Accessories)

ATEX APPROVED 1910 DIFFERENTIAL PRESSURE SWITCH

The 1910 in Flame-Proof ATEX Enclosure



Our most popular Differential Pressure Switch is now available in a flame-proof ATEX approved package in the **SERIES AT11910**. This pressure switch combines advanced design and precision construction to make these switches able to perform many of the tasks of larger, costlier units. For air and non-combustible compatible gases, the AT11910 Series switches have set points from 0.07 to 20 in w.c. (1.8 to 508 mm). Set point adjustment is easy with range screw located inside the switch enclosure. Series AT11910 ATEX enclosures are available in aluminum enclosures and ideal for low pressure, hazardous area applications.

FEATURES/BENEFITS

- Flame-proof ATEX enclosure protects the device in hazardous areas
- Compact size and repeatability, provides a high-value switch for many industrial and OEM applications
- Wide range of models from 0.07 in w.c. to 20 in w.c. can meet exacting OEM specifications for a low pressure switch
- Range screw protected inside switch enclosure prevents tampering

APPLICATIONS

- Hazardous area low pressure applications
- Air conditioning refrigeration coil icing detection; defrost cycle initiation
- Clogged filter detection
- Variable air volume controller

Attention: Check local safety rules and warnings on unit and manual for a correct use of the instrument in hazardous area.

SPECIFICATIONS

Service: Air and non-combustible, compatible gases.
Wetted Materials: Consult factory.
Temperature Limits: -30 to 180°F (-34 to 82.2°C); Case: -76 to 140°F (-60 to 60°C) (Note: Product temperature limits differ from case).
Pressure Limits: 45 in w.c. (11.2 kPa) continuous, 10 psig (68.95 kPa) surge.
Switch Type: SPDT.
Repeatability: ±3% FS.
Electrical Rating: 15 A @ 120 to 480 VAC, 60 Hz. Resistive 1/8 HP @ 125 VAC, 1/4 HP @ 250 VAC, 60 Hz. Derate to 10 A for operation at high cycle rates.
Mounting Orientation: Diaphragm in vertical position.
Set Point Adjustment: Screw type on pressure switch inside the enclosure accessible by hole with plug on housing. Setpoint regulation must be done with instrument de-energized. Follow instructions and safety warning to open cover.
Enclosure Rating: IP66. IP65 with option OPV, overpressure relief valve.
Housing Material: Aluminum.
Finishing: Texture epoxy coat RAL7038.
Process Connections: 1/8" NPT female brass (SS optional). In presence of acetylene it is necessary to use SS.
Electrical Connections: Two 1/2" NPT female. Cable gland not included.
 Weight: 7.49 lb (3.4 kg).
ATEX Approved Products from Comhas with ECN: BVI 14ATEX007.
Agency Approvals: CE 1370 Ex II 2 GD Ex d IIC Gb T6; -60°C ≤ Ta ≤ +60°C Ex tb IIIC Db T 85°C.

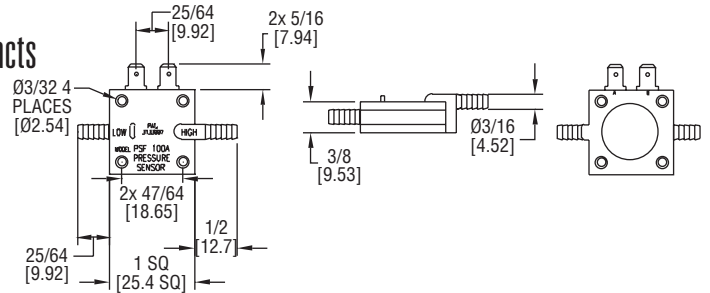
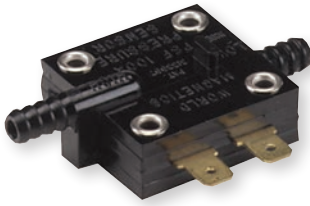
MODEL CHART								
Example	AT11910	-00	-A	B	1	X	T2	AT11910-00-AB1XT2
Series	AT11910							ATEX approved 1910 differential pressure switch
Range		00 0 1 5 10 20						.07 to .15 in w.c. (17.5 to 37 Pa) .15 to .55 in w.c. (7.5 to 137 Pa) .4 to 1.6 in w.c. (100 to 398 Pa) 1.4 to 5.5 in w.c. (348.5 to 1368 Pa) 3 to 11.75 in w.c. (747 to 2924 Pa) 4 to 20 in w.c. (996 to 4977 Pa)
Housing Material			A					Aluminum
Cover				B				Blind
Process Connection					1 2			1/8" NPT female brass ports 1/8" NPT female SS ports
Overpressure Plug						X OPV		Standard without overpressure relief valve Overpressure relief valve Material same as ports
Tag							T2	SS information label

Differential Pressure Switches



MINIATURE PRESSURE SWITCH

Shock and Vibration Resistant, Lightweight and Compact, Gold Contacts



The **SERIES MDS** Pressure Switch is designed with a double diaphragm to protect false actuation due to shock and vibration. This low cost pressure switch has a minimum 20 million cycle life expectancy, and an extremely fast response time, making this an ideal device for OEM orders.

FEATURES/BENEFITS

- Low cost, long service life and fast response time is suitable for a wide range of OEM uses
- Lightweight but shock and vibration resistant for tough applications
- Gold contacts help ensure a clean connection without dirt or oxidation

APPLICATIONS

- Air proving
- Ventilation flow
- Exhaust ducts
- Cleaning and purification
- Heavy equipment and machinery
- Pressure monitoring

SPECIFICATIONS

Switch Type: SPST normally open.
Switching Media: Air or compatible fluids on "high" side.
Pressure Limits: Set point <3.0 in w.c.: 8 psi; Set point >3.0 in w.c.: 15 psi.
Current Rating: Gold contact switch providing maximum 40 mA resistive load allowing for life in excess of 20 million cycles.
Temperature Limits: 40 to 150°F (4 to 66°C).

Electrical Connections: Brass tab-type for use with quick disconnections.
Pressure Connections: Two barbed ports for use with 1/8"-3/16" ID tubing.
Housing: Polycarbonate.
Diaphragm Material: Polyurethane.
Operating Voltage: AC/DC - 30 V or less with resistive load.
Weight: Less than 0.353 oz (10 g).
Agency Approvals: cULus.

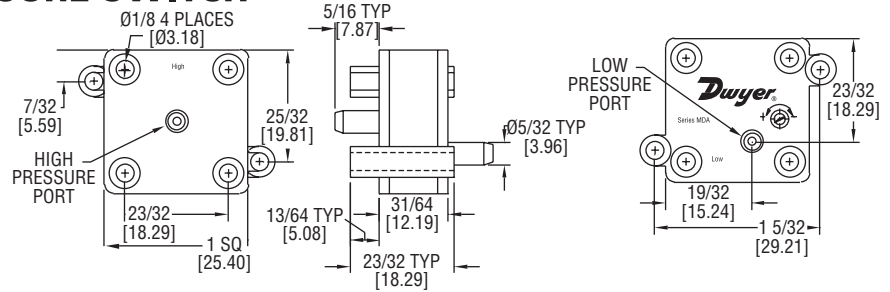
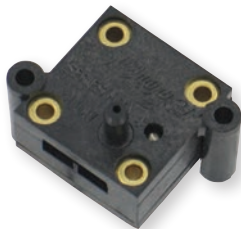
MODEL CHART			
Model	Set Point in w.c.	Model	Set Point in w.c.
MDS-0	0.5	MDS-6	6.0
MDS-1	1.0	MDS-8	10.0
MDS-2	1.5	MDS-10	15.0
MDS-3	2.0	MDS-12	30.0
MDS-4	3.0	MDS-14	50.0

Process Tubing Options: See page 443 (Gage Tubing Accessories)



MINIATURE ADJUSTABLE PRESSURE SWITCH

Adjustable Set Points from 0.1 to 100 in w.c.



Sense differential pressure with the **SERIES MDA** Miniature Adjustable Pressure Switch. The switch features field adjustable set point and gold inlay contacts. Air or other compatible fluids can be used on the "high side". The lightweight and compact size make the MDA ideal for any application with space constraints. Applications include industrial, HVAC, pump and motor control, medical, automotive, pools and spas.

FEATURES/BENEFITS

- Air or fluid on high side permits multiple uses where both air and liquids exist
- Small and lightweight for applications where space is constrained
- Gold contacts help ensure a clean connection without dirt or oxidation

APPLICATIONS

- Industrial
- HVAC
- Automotive
- Medical
- Pump and motor control
- Pools and spas

MODEL CHART		
Model	Min. Set Point in w.c. (mbar)	Max. Set Point in w.c. (mbar)
MDA-011	0.1 (0.25)	0.5 (1.25)
MDA-111	0.5 (1.25)	2.0 (4.98)
MDA-211	2.0 (4.98)	15 (37.37)
MDA-311	15 (37.37)	60 (149.3)
MDA-411	60 (149.3)	100 (249.10)

SPECIFICATIONS

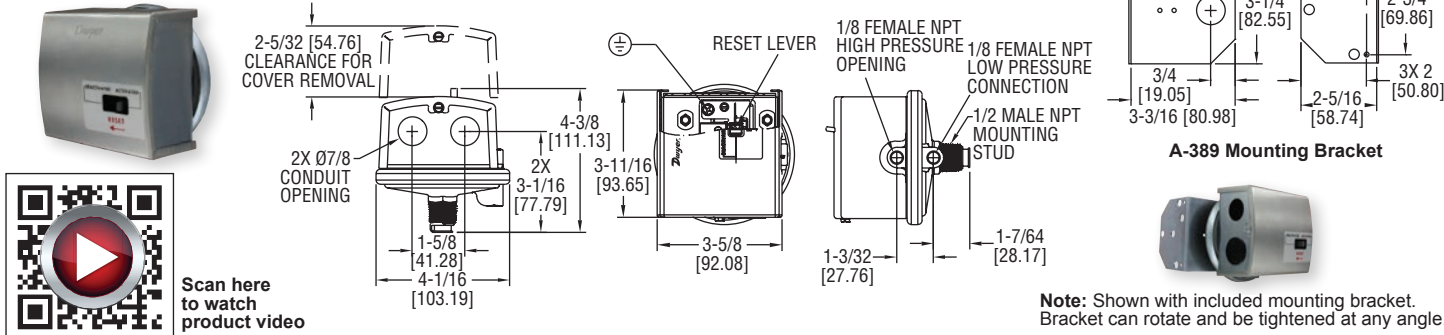
Switch Type: SPST normally open.
Switching Media: Air or compatible fluids on "high side".
Pressure Limits: MDA-011: 4 psi; MDA-111: 8 psi; MDA-211: 8 psi; MDA-311: 15 psi; MDA-411: 30 psi.
Current Rating: 40 mA resistive for life in excess of 20 million cycles.
Temperature Limits: 40 to 150°F (4 to 66°C).
Contacts: 18K gold inlay.
Electrical Connections: Terminals - 0.187" x 0.20: spade (recessed) for use with quick disconnects.

Pressure Connections: Smooth port 5/32" diameter for 1/8" ID tubing.
Housing: Polycarbonate.
Diaphragm Material: Polyurethane.
Operating Voltage: AC/DC - 30 V or less with resistive load.
Mounting: Use #4 screws through mounting lugs or #2 screws through eyelets.
Weight: Less than 0.353 oz (10 g).
Agency Approvals: cULus.

Process Tubing Options: See page 443 (Gage Tubing Accessories)

DPDT LOW DIFFERENTIAL PRESSURE SWITCHES

Manual Reset, No Power Required



Note: Shown with included mounting bracket. Bracket can rotate and be tightened at any angle.

One of our most popular differential pressure switches is now available with a DPDT switch and manual reset. The **SERIES 1831** combines small size with 4% set point repeatability. Absolutely no power is required to operate the DPDT switch. Set point adjustment on the switch is easily accessible for modifying the set point. The Series 1831 DPDT Low Differential Pressure Switches with Manual Reset eliminate common problems associated with typical high duct static cutout installations. Since the 1831 requires absolutely no power to drive its outputs, a separate power loop and its associated additional wiring and conduit is alleviated, reducing material and labor installation costs. Both control contacts of the Series 1831 activate at the same time. The potential of the lead switch shutting down the fan preventing the lag switch from sending an alarming signal to the DDC is no longer a probable system liability. Potential costly maintenance calls are diminished. Unlike typical switches that possess only a single conduit entry for both control loops, the Series 1831 provides two conduit connections simplifying wiring while eliminating additional conduit tees.

FEATURES/BENEFITS

- No power to operate DPDT switch means no additional wiring or conduit reduces material and installation labor costs
- Easy access for modifying set point simplifies adjustment
- Both control contacts activate at the same time eliminating system issues where lead switch activities preventing the lagging switch from sending a signal

APPLICATIONS

- High duct static cutout applications
- HVAC

MODEL CHART		
Model	Description	Range (in w.c.)
1831-1-RA-S	Manual reset DPDT, activate on increase	2.5 to 9
1831-2-RA-S	Manual reset DPDT, activate on increase	7.5 to 23

SPECIFICATIONS

Service: Air and non-combustible, compatible gases.
Wetted Materials: Consult factory.
Temperature Limits: -30 to 180°F (-34 to 82.2°C).
Pressure Limits: 10 psig (68.95 kPa) continuous, 25 psig (172.4 kPa) surge.
Switch Type: 2 SPDT.
Actuation Time Difference: 1 millisecond maximum actuation delay between contacts.

Repeatability: ±4% max.
Electrical Rating: 4 A @ 125/250 VAC.
Electrical Connections: Screw type terminal block.
Process Connections: 1/8" female NPT.
Mounting Orientation: Diaphragm in vertical position. Consult factory for other position orientations.
Set Point Adjustment: Screw type inside mounting spud.
Weight: 1 lb 2 oz (522 g).

ACCESSORIES

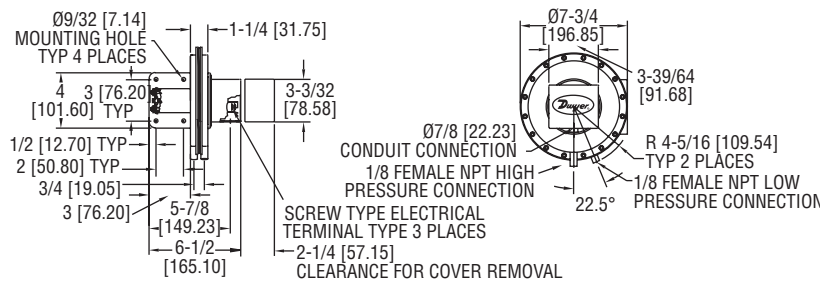
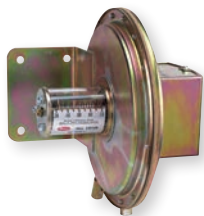
Model	Description
A-489	4" straight static pressure tip with flange
A-491	6" straight static pressure tip with flange
A-493	8" straight static pressure tip with flange
A-302F-A	303 SS static pressure tip with mounting flange; for 3/16" ID rubber or plastic tubing; 4" insertion depth; includes mounting screws
A-302F-B	303 SS static pressure tip with mounting flange; for 3/16" rubber or plastic tubing; 6" insertion depth; includes mounting screws
A-302F-C	303 SS static pressure tip with mounting flange; for 3/16" rubber or plastic tubing; 8" insertion depth; includes mounting screws

Process Tubing Options: See page 443 (Gage Tubing Accessories)



FLOATING CONTACT NULL SWITCH FOR HIGH AND LOW ACTUATION

Visual Set Point Adjustment, Adjustable Null Zone



The unique electric switch design in the **SERIES 1640** is another Dwyer Instrument, Inc. innovation. The Dwyer® Model 1640 Differential Pressure Switch resembles the high precision large diaphragm Series 1630 switches. However, the Model 1640 is equipped with a single pole, double throw floating contact switch (not snap acting) so it functions as a null switch. As the diaphragm moves in response to pressure changes, it moves the floating contact to cause switching action at two preset points with no switching action between these points. The "high" circuit will be closed when rising pressure differential reaches the preset level. The "low" circuit will be closed when falling pressure differential reaches the preset level.

FEATURES/BENEFITS

- Floating "null" switch supports applications requiring two set point actions such as open and close damper control
- Visible set point indicator simplifies operation and trouble shooting
- Large diaphragm provides low range accuracy providing precise control

APPLICATIONS

- Damper positioning
- Duct air control

SPECIFICATIONS

Service: Air and non-combustible, compatible gases.
Wetted Materials: Consult factory.
Temperature Limits: -30 to 110°F (-34.4 to 43.3°C).
Pressure Limits: 10 psig (68.95 kPa) continuous, 25 psig (172.4 kPa) surge.
Switch Type: SPDT floating contact (not snap action).
Electrical Rating: Non-inductive — 2.5 A @ 110 VAC; 1.5 A @ 220 VAC; 1 A @ 24 VDC; 0.5 A @ 110 VAC; Inductive — 1 A @ 110 VAC; 0.5 A @ 220 VAC; 0.5 A @ 24 VDC (de-rate 70-80% for very slow pressure changes).
Electrical Connections: 3 screw type.
Process Connections: 1/8" female NPT.
Mounting Orientation: Diaphragm in vertical position. Consult factory for other position orientations.
Set Point Adjustment: Screw type.
Weight: 4 lb 13 oz (2.18 kg).
Agency Approvals: CE.

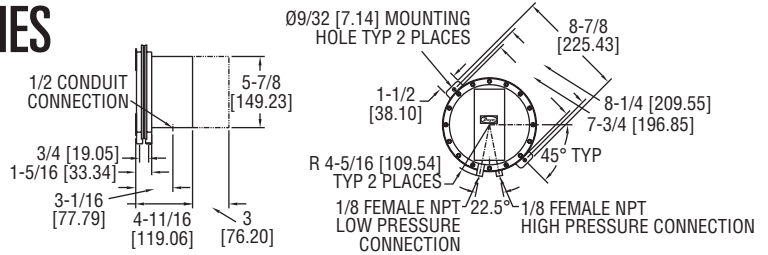
MODEL CHART

Model	Ranges in w.c.	Adjustable Null Span	
		Min. Set Point	Max. Set Point
1640-0	.01 to 0.2	.01	.03
1640-1	0.2 to 1.0	.02	.06
1640-2	1.0 to 4.0	.03	.12

Process Tubing Options: See page 443 (Gage Tubing Accessories)

SINGLE AND DUAL PRESSURE SWITCHES

High Reliability, Repetitive Accuracy within $\pm 1\%$



On the **SERIES 1620** our old faithful switch design is still best where highest precision combined with diaphragm sealed leak proof construction and mounting simplicity are required. Model 1626 and 1627 differential pressure switches are identical in design and construction except that Model 1626 has a single electric switch and Model 1627 has dual electric switches. Model 1627 can therefore provide dual control when required. It can be set to open or close two independent electrical circuits, each preset for its own actuation pressure. Both units have diaphragm sealed motion take outs providing maximum protection against leakage.

FEATURES/BENEFITS

- Single or dual action switches support consistent designs with similar models, but with the ability to match specific application needs
- Sealed diaphragm provides leak-proof construction for high accuracy and precision control

APPLICATIONS

- Damper positioning
- Duct air control

MODEL CHART				
Model	Operating Range in w.c.	Approximate Deadband		Adj. Diff. Between Set Points
		Min. Set Point	Max. Set Point	
1626-1	.15 to 1.5	.10	.20	-
1626-5	.5 to 6.0	.15	.35	-
1626-10	2.0 to 11	.25	.65	-
1626-20	8.0 to 24	.50	1.20	-
1627-1	.15 to 1.5	.10	.20	0.5
1627-5	.5 to 6.0	.15	.35	1.2
1627-10	2.0 to 11	.25	.65	2.3
1627-20	8.0 to 24	.50	1.20	5.0

SPECIFICATIONS

Service: Air and non-combustible, compatible gases.
Wetted Materials: Consult factory.
Temperature Limits: -30 to 130°F (-34.4 to 54.4°C).
Pressure Limits: Max. 50 in w.c. (12.44 kPa) continuous, 2 psig (13.79 kPa) surge.
Switch Type: 1626 SPDT; 1627, (2) SPDT.
Repeatability: $\pm 1\%$.
Electrical Rating: 15 A @ 120-480 VAC, 60 Hz. Resistive 1/8 HP @ 125 VAC, 1/4 HP @ 250 VAC, 60 Hz.

Electrical Connections: 3 screw type, common, normally open and normally closed.
Process Connections: 1/8" female NPT.
Mounting Orientation: Diaphragm in vertical position. Consult factory for other position orientations.
Set Point Adjustment: Screw adjustment.
Weight: Model 1626, 3 lb, 9.8 oz (1.64 kg); Model 1627, 3 lb, 11.8 oz (1.69 kg).
Agency Approvals: CE.

ACCESSORIES

Model	Description
A-489	4" straight static pressure tip with flange
A-302F-A	303 SS static pressure tip with mounting flange; for 3/16" ID rubber or plastic tubing; 4" insertion depth; includes mounting screws

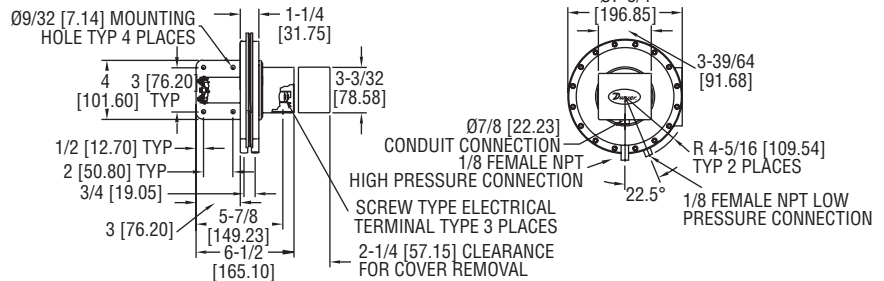
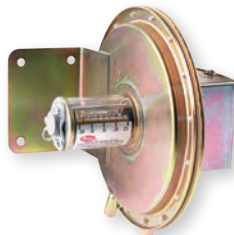
OPTION

To order add suffix:	Description
-MIL	MIL environmental construction



LARGE DIAPHRAGM PRESSURE SWITCHES

Visual Set Point Adjustment in 5 Standard Ranges, 0.05 in to 12 in w.c. Repetitive Accuracy within $\pm 1\%$



On the **SERIES 1630** our highest precision conventional large diaphragm pressure switch provides maximum dependability. In addition, it incorporates a visible set point indicator for maximum convenience. UL and CSA listed, FM approved for general service. Electrical capability of 15 amps handles most small electrical loads. For use only with air or compatible gases.

FEATURES/BENEFITS

- Visible set point indicator simplifies operation and trouble shooting
- Large diaphragm provides low range accuracy providing precise control
- Current loads of up to 15 amps supports most small electrical loads supporting a broader range of HVAC and Process applications without the need for additional relays and components

APPLICATIONS

- Damper positioning
- Duct air control
- Air conditioning
- Industrial service

MODEL CHART			
Model	Operating Range in w.c.	Approximate Deadband	
		Min. Set Point	Max. Set Point
1638-0	0.05 to 0.25	0.04	0.05
1638-1	0.20 to 1.0	0.04	0.06
1638-2	1.0 to 3.0	0.06	0.08
1638-5	2.0 to 6.0	0.07	0.25
1638-10	3.0 to 12	0.11	0.30

SPECIFICATIONS

Service: Air and non-combustible, compatible gases.
Wetted Materials: Consult factory.
Temperature Limits: -30 to 110°F (-34.4 to 43.3°C).
Pressure Limits: 10 psig (68.95 kPa) continuous, 25 psig (172.4 kPa) surge.
Switch Type: SPDT.
Repeatability: $\pm 1\%$.
Electrical Rating: 15 A @ 120-480 VAC, 60 Hz. Resistive 1/8 HP @ 125 VAC, 1/4 HP @ 250 VAC, 60 Hz.

Electrical Connections: 3 screw type, common, normally open and normally closed.
Process Connections: 1/8" female NPT.
Mounting Orientation: Diaphragm in vertical position. Consult factory for other position orientations.
Set Point Adjustment: Screw type with enclosed scale.
Weight: 4 lb 14 oz (2.21 kg).
Agency Approvals: CSA, FM, UL.

ACCESSORIES

Model	Description
A-489	4" straight static pressure tip with flange
A-302F-A	303 SS static pressure tip with mounting flange; for 3/16" ID rubber or plastic tubing; 4" insertion depth; includes mounting screws

OPTION

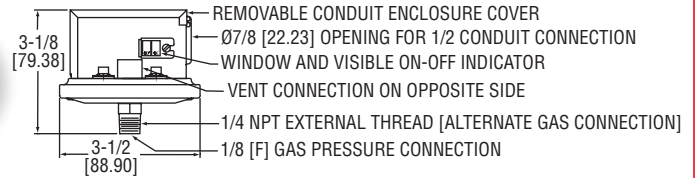
MIL Environmental Construction
 Unlisted Model 1635 can be furnished with a special sealed snap switch for protection against high humidity, fungus and/or military applications. Similar to Model 1638 except deadband is slightly greater and some lower setpoints may not be available.
Note: To order, specify Model 1635-(Range No.)-MIL and required set point.

GAS PRESSURE SWITCHES

Compact, Low Cost, 4 to 20 in w.c. Range



Model 1996-20 gas-air pressure switch. Connections, dimensions and visible on-off indicator are shown.



Reliable and convenient, the **SERIES 1996** Gas Pressure Switches serve as a compact, low cost switch for gas fired furnaces and equipment. Pressure ranges for both models are ideal for high or low gas pressure interlock. Visible set point and on-off indicators add convenience in servicing. Use either NO or NC contacts on SPDT switch. Bottom connection has both 1/8" female and 1/4" male threads for pipe nipple or coupling. Top connection vents diaphragm chamber to outside or to furnace combustion chamber. Mount switch with diaphragm in a horizontal position and gas pressure connection at bottom. Used with natural, manufactured or LP gas.

FEATURES/BENEFITS

- Visible set point and on-off indicator simplifies operation and trouble shooting
- Compact size and low cost make it ideal for gas fired or gas equipment OEM applications

APPLICATIONS

- Gas furnaces
- Natural, manufactured or LP gas applications

MODEL CHART			
Model	Range (in w.c.)	Model	Range (in w.c.)
1996-5	1.4 to 5.5	1996-20	4 to 20

SPECIFICATIONS

Service: Air, natural & manufactured gas, LP gas.
Wetted Materials: Consult factory.
Temperature Limits: 32 to 110°F (0 to 43.3°C). -30 to 110°F (-34.4 to 43.3°C) for dry gas or dry air.
Pressure Limits: 45 in w.c. (11.2 kPa) continuous; 10 psig (68.95 kPa) surge.
Switch Type: SPDT.
Electrical Rating: 15A @ 120-480 VAC, 60 Hz. Resistive 1/8 H.P. @ 125 VAC, 1/4 H.P. @ 250 VAC 60 Hz.
Electrical Connections: 3 screw type, common, normally open, normally closed.

Process Connections: 1/8" female NPT or 1/4" male NPT.
Vent Connection: 1/8" female NPT.
Mounting Orientation: Diaphragm in horizontal position. Consult factory for other position orientations.
Set Point Adjustment: Screw type with visible indicator, inside conduit enclosure.
Weight: 1 lb 2.3 oz (349 g).
Agency Approvals: CE, CSA, FM, UL.

Process Tubing Options: See page 443 (Gage Tubing Accessories)
 Explosion-Proof Alternative: See page 29 (Series 1950)
 Explosion-Proof Alternative: See page 29 (Series 1950G)

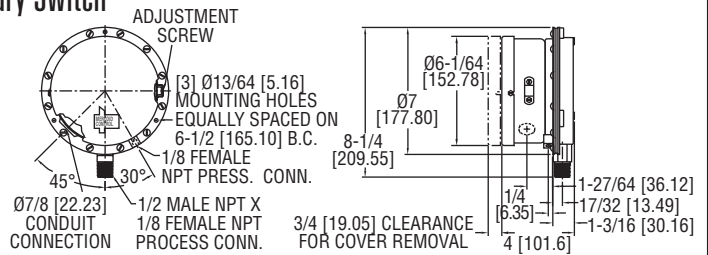


GAS PRESSURE/DIFFERENTIAL PRESSURE SWITCHES

External Adjustment, Visible Dial, Hermetically Sealed Snap or Mercury Switch



Scan here to watch product video



Large sensitive diaphragm and reliable, time proven mechanical design are combined in **SERIES PG** pressure/differential pressure switches. For use with air and other compatible gases, they feature excellent ±1% of full scale repeatability, clear easy-to-read scale and convenient external set point adjustment. Application flexibility is assured by a large variety of switching options including SPST, SPDT, DPST and DPDT; opening or closing on increasing pressure, vacuum or differential. PR and PRL models add manual reset operation on increasing or decreasing pressure. Mercury switches or hermetically sealed snap switches are available where high humidity would be a problem. If vibration or other factors preclude the use of mercury, snap switches can be provided. Standard housing is NEMA 1. Optional enclosures can be supplied for weather resistant and explosion-proof requirements.

FEATURES/BENEFITS

- Clear easy-to-read scale and external set point adjustment simplifies operation and trouble shooting
- Large diaphragm provides accuracy for precise control
- Multiple switching options meet the design of applications

APPLICATIONS

- Natural, manufactured or LP gas applications

MODEL CHART							
Model	Range	Max. Deadband	Switch Type	Model	Range	Max. Deadband	Switch Type
PG-153-P1	1-30 in w.c. (.25-7.47 kPa)	1.9 in w.c. (0.47 kPa)	SPDT mercury	PG-7000-153-P1	1-30 in w.c. (.25-7.45 kPa)	4 in w.c. (1.0 kPa)	SPDT snap
PG-153-P2	0.5-5 psid (0.3-.345 bar)	0.4 psid (0.38 bar)	SPDT mercury	PG-7000-153-P2	0.5-5 psid (.03-.345 bar)	.5 psid (.035 bar)	SPDT snap
PG-3-P1	1-30 in w.c. (.25-7.47 kPa)	1.3 in w.c. (0.32 kPa)	SPST mercury*	PG-7000-153HS-P1	1-30 in w.c. (.25-7.47 kPa)	4 in w.c. (1.0 kPa)	SPDT hermetically sealed silver snap
PG-3-P2	0.5-5 psid (.03-.345 bar)	0.3 psid (0.21 kPa)	SPST mercury*	PG-7000-153HG-P1	1-30 in w.c. (.25-7.47 kPa)	4 in w.c. (1.0 kPa)	SPDT hermetically sealed gold snap

*SPST switches shown are close on increase of pressure. For open on increase of pressure replace 3 in middle of model number with 2. **Example:** PG-2-P1.

SPECIFICATIONS

Wetted Materials: Fairprene, brass, steel, and aluminum.
Temperature Limits: -10 to 180°F (-23 to 82°C).
Pressure Limit: Single pressure use on high side: Sustained pressure: 15 psig (1.0 bar); Surge limit: 20 psig (1.4 bar). Differential pressure use: Sustained pressure, range P1: 2 psig (.14 bar); Sustained pressure, range P2: 10 psig (0.7 bar).
Enclosure Rating: General purpose. Weatherproof and explosion-proof optional.
Repeatability: ±1% of full range.
Switch Type: SPST mercury switch, SPDT mercury switch, SPDT snap switch, or SPDT hermetically sealed snap switch. Optional DPDT.
Electrical Rating: SPDT mercury: 4A @ 120 VAC/VDC, 2A @ 240 VAC/VDC. SPST mercury: 6A @ 120 VAC/VDC, 3A

@ 240 VAC/VDC. SPDT Snap: 15A @ 120 VAC, 8A @ 240 VAC, 0.5A @ 120 VDC, 0.25A @ 240 VDC. SPDT H.S. Silver Snap: 5A @ 125/250 VAC, 30 VDC resistive. SPDT H.S. Gold Snap: 1A @ 125 VAC, 30 VDC resistive.
Electrical Connections: Screw type. **Conduit Connection:** 7/8" (22.23 mm) hole for 1/2" (12.7 mm) conduit hub. **Process Connection:** 1/2" male NPT and 1/8" female NPT used for single positive pressure or high differential pressure, 1/8" female NPT used for single vacuum or low differential pressure.
Mounting Orientation: Vertical.
Set Point Adjustment: External screw.
Weight: 4.5 lb (2 kg).
Deadband: See model chart.
Agency Approvals: FM, UL for mercury switch models. UL only on snap switch models.

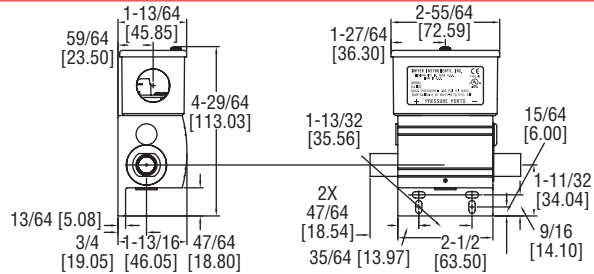


WET/WET DIFFERENTIAL PRESSURE SWITCH

NEMA 4X Enclosure, Low Differential Set Points



Scan here to watch product video



The **SERIES DX** is a differential pressure switch that makes a contact output based on the differential between two pressure sources. Wetted materials of brass and fluoro-elastomer are suitable for use with most gases and water based solutions. The switch can be used for low differential pressure indication with set point on a decrease of pressure as low as 1 psid (0.07 bar). Differential set point ranges are available from 2.5 to 75 psid (0.17 to 5.17 bar) on increasing differential pressure and 1.0 to 67 psid (0.07 to 4.62 bar) on decreasing differential pressure. Unit features a high static pressure rating of 200 psig (13.8 bar). Weatherproof, UL type 4X, enclosure for dust laden, outdoor, or wash-down installation environments. Externally adjustable set point, integral mounting flange and a removable electrical terminal block for quick and easy installation.

FEATURES/BENEFITS

- Differential pressure switch that is suitable for most gas and water-based applications allows multiple uses in the most sophisticated designs
- Weatherproof housing provides protection in the harsh, wet or dirty environments insuring switch's long-service life
- Removable terminal block reduces installation time

APPLICATIONS

- Indicating filter differential pressure
- Proof of flow indicator monitoring
- Proving flow through a pump
- Proving flow through a chiller
- Proving flow through a heat pump or AC unit

OPTION	
To order add suffix:	Description
-PRESET	Preset unit
Example: DXW-11-153-1-PRESET	

SPECIFICATIONS

Service: Compatible gases and liquids.
Wetted Materials: Connection: Brass; Diaphragm: Fluoroelastomer.
Temperature Limits: 30 to 140°F (-1 to 60°C).
Pressure Limits: 200 psig (13.8 bar). Continuous single side only pressure should not exceed 1.25 x full differential range.
Enclosure Rating: Weatherproof UL type 4X (IP65).
Repeatability: ±2% of full range.
Switch Type: SPDT snap switch.
Electrical Rating: 5 A @ 125/250 VAC (~), 5 A res. @ 30 VDC (---).
Electrical Connection: Removable terminal block.
Conduit Connection: 0.871" diameter hole for 1/2" conduit fitting.

Process Connection: 1/4" NPT female.
Mounting Orientation: Ports on horizontal plane, ±10°.
Set Point Adjustment: External screw.
Housing Materials: Body: Aluminum; Housing: Polycarbonate; Cover: 300 SS.
Vibration and Shock: Set point repeats after 2.5 Gs, 5 to 500 Hz. Set point repeats after a 15 Gs, 10 millisecond duration.
Altitude Limit: 6560 ft (2000 m).
Humidity Limit: 80% (non-condensing).
Pollution Degree: 2.
Environment: Intended for indoor and outdoor use.
Weight: 1 lb 3 oz (0.54 kg).
Agency Approvals: CE, cULus.

MODEL CHART

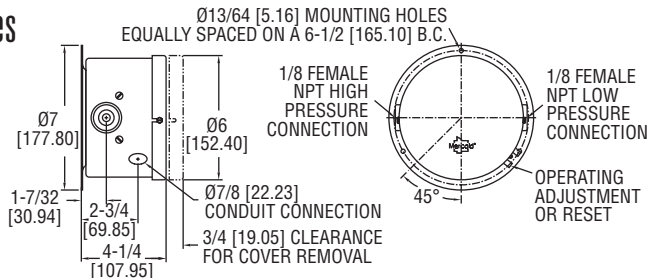
Model	Adjustable Differential Range (on increase) [psid (bar)]	Fixed Deadband [psid (bar)]	
		Low Set Point	High Set Point
DXW-11-153-1	2.5 to 10 (0.17 to 0.69)	1.5 (0.10)	2.5 (0.17)
DXW-11-153-2	10 to 25 (0.69 to 1.72)	2.5 (0.17)	3.5 (0.24)
DXW-11-153-3	25 to 50 (1.72 to 3.45)	3.5 (0.24)	6.0 (0.41)
DXW-11-153-4	50 to 75 (3.46 to 5.17)	6.0 (0.41)	8.0 (0.55)

Note: Set points on decrease will be the range minus the deadband.



DOUBLE BELLOWS DIFFERENTIAL PRESSURE SWITCHES

Visible Setpoints, Adjustable or Fixed Deadband, High Pressure Ranges



Two opposing bellows combine maximum sensitivity and vibration resistance at a moderate cost in the **SERIES DP** differential pressure switches. Both set and reset points are easily adjustable through non-interactive, externally accessible controls. Visible setpoint indicators simplify changes. SPDT snap action switch, 316 stainless steel or brass bellows, flanged steel housing. Rated pressures to 600 psig.

FEATURES/BENEFITS

- Bellows switch design provides sensitivity to pressure changes but resists vibration preventing out of range switching
- External access to set and reset controls makes for easy adjustments
- Visible set point indicators simplify changes

APPLICATIONS

- Accurate switch triggers in high pressure applications

SPECIFICATIONS

Wetted Materials: Brass on ranges 61, 62, 63 or 316 SS on ranges 62E, 64E, 65E.
Temperature Limits: -10 to 180°F (-23 to 82°C).
Pressure Limit: Maximum pressure of the operating range.
Enclosure Rating: General purpose. Weatherproof or explosion-proof optional.
Switch Type: Snap switch. (Contact factory for mercury switch).
Electrical Rating: See model chart.
Electrical Connection: Screw terminal.

Conduit Connection: General purpose: 1/2" hole for conduit hub; Weatherproof: 1/2" conduit hub; Explosion-proof: 3/4" female NPT.
Process Connection: General purpose and weatherproof: 1/8" female NPT, explosion-proof: 1/4" male NPT.
Mounting Orientation: Vertical.
Set Point Adjustment: Thumbscrew.
Weight: General purpose: 5 lb (2.3 kg), weatherproof: 7 lb (3 kg), explosion-proof: 25 lb (11 kg).
Deadband: See model chart.
Agency Approvals: CE, cULus.

MODEL CHART

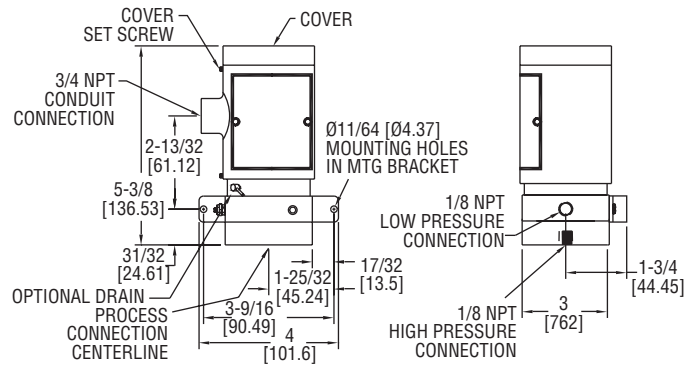
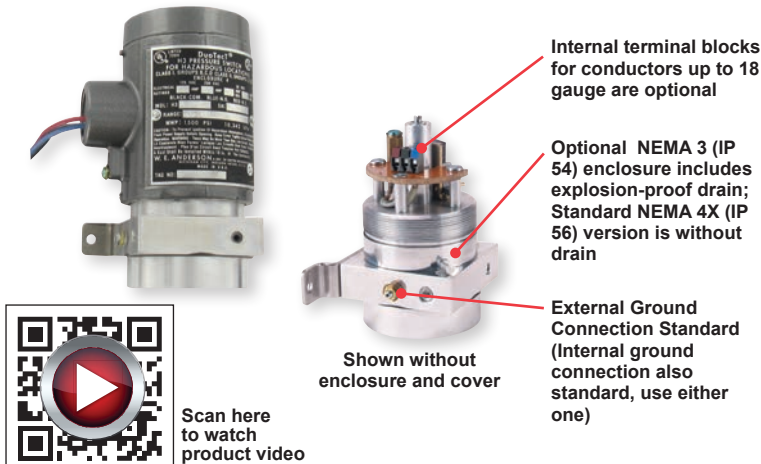
Bellows Material	Range, psid (bar)	Max. Press, psig (bar)	Adjustable Deadband		Fixed Deadband	
			Min. D.B. psid (bar)	Model	Fixed D.B. psid (bar)	Model
Brass	0-10 (0-0.7)	50 (3.5)	1.5 (.10)	DPA-7033-153-61	0.5 (.03)	DPS-7233-153-61
Brass	0-20 (0-1.4)	100 (6.9)	2.5 (.17)	DPA-7033-153-62	1.0 (.07)	DPS-7233-153-62
Brass	0-30 (0-2.1)	300 (20.7)	6.0 (.41)	DPA-7033-153-64	1.5 (.10)	DPS-7233-153-64
316SS	0-20 (0-1.4)	100 (6.9)	3.0 (.21)	DPA-7043-153-62E	1.5 (.10)	DPS-7243-153-62E
316SS	0-30 (0-2.1)	300 (20.7)	6.0 (.41)	DPA-7043-153-64E	2.0 (.14)	DPS-7243-153-64E
316SS	0-80 (0-5.5)	600 (41.4)	20 (1.4)	DPA-7043-153-65E	6.0 (.41)	DPS-7243-153-65E

OPTIONS

To order add suffix:	Description
W	Weatherproof enclosure
Example: DPAW-7033-153-61	
E	Explosion-proof enclosure
Example: DP AE-7033-153-61	

EXPLOSION-PROOF DIFFERENTIAL PRESSURE SWITCHES

Setpoints from 10 in w.c. to 200 psid, Rated 1500 psig, Weatherproof



Scan here to watch product video

Explosion-proof **SERIES H3**, heavy duty, industrial unit has a unique new design which provides sensitivity to differential pressures as low as 10 inches of water (254 mm w.c.), yet handles total pressure of 1500 psi (103 bar). Unlike common differential pressure switches that use a piston-type motion transfer, the Series H3 utilizes a rotary motion transfer shaft that prevents a change in total pressure from causing a setpoint shift. Unit yields deadbands approximately 5% of range, with zero setpoint shift due to variation in working pressures. Friction is minimized and repeatability increased by allowing range spring to act directly on diaphragm plate. Rolling diaphragm design maintains constant effective area to further reduce friction. Diaphragm is allowed to "seat", allowing application of full rated pressure, up to 1500 psi (103 bar), on either high or low pressure port, without damage. Special over-travel feature prevents overtightening of range adjust screw. Choose optional 316SS chamber for water and water-based fluids or harsher applications.

FEATURES/BENEFITS

- Rotary motion design prevents set point shifts
- Explosion-proof housing for use in applications where protection of process and personnel is needed
- Option for use with water and water-based solution makes this a versatile switch

SPECIFICATIONS

Wetted Materials: See pressure chamber and diaphragm material in model chart.
Temperature Limit: -4 to 220°F (-20 to 104°C), ATEX: -20 to 90°C (-4 to 194°F).
Pressure Limit: 1500 psig (103 bar).
Enclosure Rating: Standard meets NEMA 4X (IP56), drain option meets NEMA 3 (IP54). For hazardous use see the hazardous location ratings chart.
Switch Type: SPDT or DPDT snap switch.
Electrical Rating: 5 A @ 125/250 VAC, 30 VDC.
Electrical Connections: See model chart.
Conduit Connection: 3/4" female NPT.
Process Connection: 1/8" female NPT.
Mounting Orientation: Vertical.
Set Point Adjustment: Internal screw.
Weight: 4 lb 2 oz (2 kg).
Deadband: Approximately 5% of range.
Agency Approvals: ATEX, CE, CSA, UL see ratings chart.

MODEL CHART

Example	H3	S	-2	S	C	-MV	H3S-2SC-MV
Series	H3						Explosion-proof differential pressure switch
Pressure Chamber & Diaphragm Material (Wetted)		A S					Aluminum chamber with Nitrile diaphragm 316 SS chamber with Fluoroelastomer diaphragm
Adjustable Operating Range			1 2 3 4				10-180 in. w.c. (2.48-44.78 kPa) 0.5-15 psid (0.03-1 bar) 5-70 psid (.34-4.8 bar) 10-200 psid (.7-13.8 bar)
Circuit (Switch) Options				S D			SPDT snap action switch rated 5 A @ 125/250 VAC, 30 VDC DPDT snap action switch rated 5 A @ 125/250 VAC, 30 VDC
Electrical Connection					L T C		18 AWG x 18 inch lead wires UL, CSA approved internal terminal block ATEX approved internal terminal block
Options						Drain MV VIT	Enclosure with drain - allows condensate to be drained from inside (meets NEMA 3 instead of 4X) Gold contacts on snap switch for dry circuits rated 1 A @ 125 VAC, 1A resistive or 0.5 A inductive @ 30 VDC Fluoroelastomer diaphragm option where not standard

ACCESSORY

Model	Description
A-610	Pipe mounting kit for 1-1/4 to 2" pipe

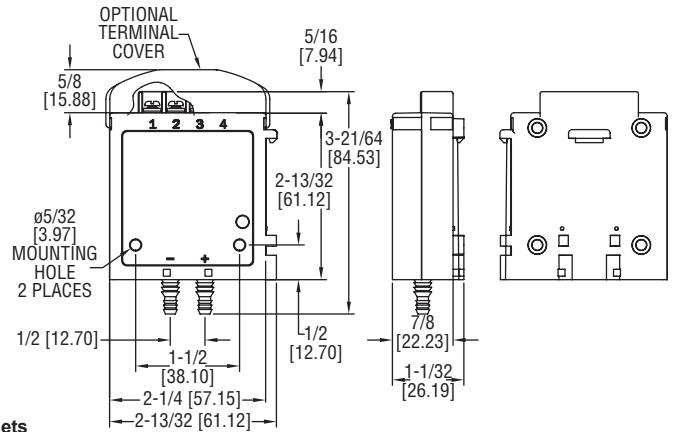
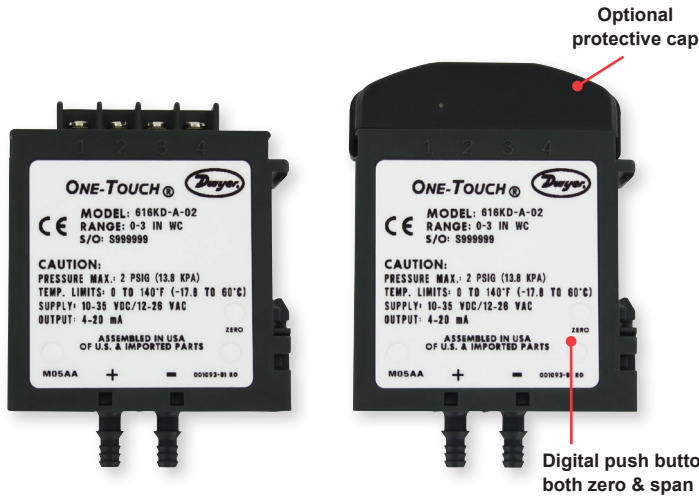
HAZARDOUS LOCATION RATINGS

Model	UL	CSA	Directive 94/9/EC ATEX Compliant
H3 _ _ _ C	-	-	CE 0344 Ex II 2 G EEx d IIB -20°C ≤ T amb ≤ 75°C T6 EC-Type Certificate No. KEMA 03ATEX 2584
H3 _ _ _ L	Cl. I, Gr.B, C & D Cl. II, Gr.E, F & G	Cl. I, Gr.B, C & D Cl. II, Gr.E, F & G	-
H3 _ _ _ T	Cl. I, Gr.B, C & D Cl. II, Gr.E, F & G	Cl. I, Gr.B, C & D Cl. II, Gr.E, F & G	-
H3 _ _ _ C-DRAIN	-	-	CE 0344 Ex II 2 G EEx d IIB -20°C ≤ T amb ≤ 75°C T6 EC-Type Certificate No. KEMA 03ATEX 2584
H3 _ _ _ L-DRAIN	Cl. I, Gr.B, C & D Cl. II, Gr.E, F & G	-	-



DIFFERENTIAL PRESSURE TRANSMITTER ± 0.25 , ± 1 , OR $\pm 2\%$ ACCURACY

One-Touch® Digital Push-Button Calibration Technology



The **SERIES 616KD** Differential Pressure Transmitters with One-Touch® Digital Push-Button Calibration Technology are designed for simplicity, making them the ideal choice for installers and maintenance professionals. These instruments not only alleviate cumbersome turn pots typically found in most transmitters, but eliminate entirely the need to span the instruments during calibration. With single digital push button, both ZERO AND SPAN are calibrated properly, nothing else is required. No additional reference pressure sources or separate calibration devices are necessary.

FEATURES AND BENEFITS

- Simple calibration push-button sets back zero and span, saving time installing and over the service life
- Cost effective and compact device suitable for OEM applications where space, simplicity, and value are key
- Ranges and accuracy selection cover a wide range of applications minimizing components and determining standardizing on design

APPLICATIONS

- Air handlers
- Duct pressure
- Variable air volume
- Filter monitoring

MODEL CHART			
Example	616KD	-A -12 -AT	616KD-A-12-AT
Series	616KD		Differential pressure transmitter
Accuracy	A B		0.25% full-scale accuracy 1.0% full-scale accuracy 2.0% full-scale accuracy
Range		00 01 02 03 04 05 06 07 08 10 11 12 13 14 15 50 51 57 52 53 54 55 56 58	0 to 1 in w.c. 0 to 2 in w.c. 0 to 3 in w.c. 0 to 5 in w.c. 0 to 10 in w.c. 0 to 15 in w.c. 0 to 20 in w.c. 0 to 25 in w.c. 0 to 40 in w.c. 0 to 250 in w.c. 0 to 500 in w.c. 0 to 750 in w.c. 0 to 1250 in w.c. 0 to 2500 in w.c. 0 to 5000 in w.c. 0 to ± 1 in w.c. 0 to ± 2 in w.c. 0 to ± 3 in w.c. 0 to ± 5 in w.c. 0 to ± 10 in w.c. 0 to ± 250 Pa 0 to ± 500 Pa 0 to ± 750 Pa 0 to ± 1250 Pa
Options		AT FC NIST TC V	Aluminum tag Factory calibration NIST certification Terminal cover Voltage output 0 to 5, 1 to 5, 0 to 10, 2 to 10 VDC (field selectable)

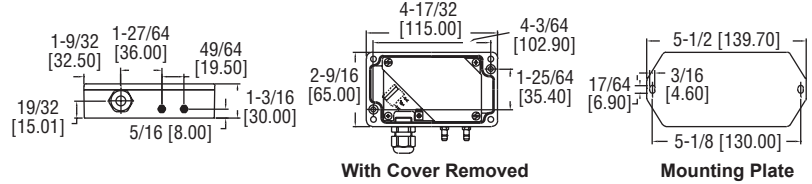
Note: 0.25% FS accuracy is not available in the following ranges 00, 01, 10, 11.

SPECIFICATIONS

Service: Air and non-combustible, compatible gases.
Wetted Materials: Consult factory.
Accuracy: 616KD-A: $\pm 0.25\%$ FS; 616KD-B: $\pm 1\%$ FS, 616KD: $\pm 2\%$ FS.
Stability: $\pm 1\%$ FS/year.
Temperature Limits: 0 to 140°F (-17.8 to 60°C).
Compensated Temperature Range: 20 to 122°F (-6.67 to 50°C).
Pressure Limits: 2 psig (ranges 5 in w.c. or lower); 5 psig (ranges 10 to 40 in w.c.).
Thermal Effect: 616KD-A: $\pm 0.02\%$ FS/°F; 616KD-B: $\pm 0.04\%$ FS/°F; 616KD: $\pm 0.06\%$ FS/°F, includes zero and span.
Power Requirements: 4-20 mA output: 10 - 35 VDC (2 wire) or 12-26 VAC (4 wire); 5V output: 10 - 35 VDC (3 wire) or 12-26 VAC (4 wire); 10V output: 13 - 35 VDC (3 wire) or 12-26 VAC (4 wire).
Output Signal: 4 to 20 mA or option with field selectable 0-10, 0-5, 2-10, 1-5 volts.
Zero and Span Adjustments: Push button.
Loop Resistance: 4-20 mA output (DC): 0 - 1250 Ω max. $R_{max} = 50(V_{psDC} - 10) \Omega$; 4-20 mA output (AC): 0 - 1200 Ω max. $R_{max} = 50(1.4 V_{psAC} - 12) \Omega$; Voltage output: 5K Ω minimum.
Current Consumption: 24 mA max.
Warm Up time: 20 minutes.
Electrical Connections: Screw-type terminal block.
Process Connections: Barbed, dual size to fit 1/8" & 3/16" (3 mm and 5 mm) ID rubber or vinyl tubing.
Enclosure Rating: NEMA 1 (IP20).
Mounting Orientation: Vertical with pressure connections pointing down.
Weight: 1.8 oz (51 g).
Agency Approvals: CE.

DIFFERENTIAL PRESSURE TRANSMITTERS

NEMA 4 Enclosure with Integral Mounting Bracket



SERIES 677B Differential Pressure Transmitters are designed to measure pressures as low as 0.1 in w.c. with $\pm 0.4\%$ accuracy. Use Series 677B for building energy management systems, environmental pollution control, oven pressurization, lab and fume hood control, HVAC and VAV applications. The transmitter features 15 psid overpressure, reverse polarity protection and EMI/RFI protection. Internal regulation permits use with unregulated DC power supplies. The NEMA 4 housing allows for versatile mounting locations and integral mounting tabs simplify installation.

FEATURES/BENEFITS

- NEMA 4 housing enables a range of use outdoor or indoor where water is present
- High accuracy at low pressure ranges provides exceptional measurement for insuring tight-control and minimizing costly out of specification conditions
- Use with unregulated DC power permits easy access to electrical supply reducing costly power conditioning and wiring
- Lab and fume hood control
- Variable air volume

APPLICATIONS

- Building energy management
- Environmental pollution control
- Lab and fume hood control
- Variable air volume

MODEL CHART			
Model	Range (in w.c.)	Model	Range (in w.c.)
677B-01	0 to 0.1	677B-08	0 to 25
677B-02	0 to 0.25	677B-11	0 to ± 0.05
677B-03	0 to 0.5	677B-12	0 to ± 0.1
677B-04	0 to 1	677B-13	0 to ± 0.25
677B-05	0 to 2.5	677B-14	0 to ± 0.5
677B-06	0 to 5	677B-15	0 to ± 1
677B-07	0 to 10		

SPECIFICATIONS

Service: Air and non-conductive, non-corrosive gases.
Wetted Materials: 302 SS, glass, nickel, silicone rubber and brass.
Accuracy: $\pm 0.4\%$ FS* at room temperature.
Stability: $\pm 1\%$ FS/yr.
Temperature Limits: Operating and Compensated: 0 to 185°F (-18 to 85°C); Storage: -65 to 220°F (-54 to 105°C).
Pressure Limit: 15 psi (100 kPa).
Thermal Effects: (Includes zero and span) $< 0.028\%$ FS/°F, 0 to 185°F (-18 to 85°C).
Power Requirement: 16 to 32 VDC.
Output: 4 to 20 mA DC, 2-wire.
Zero and Span Adjustments: Internally accessible potentiometers, non-interactive.
Response Time: Approximately 10 ms.
Max. Loop Resistance: DC: 0 to 800 Ω .
Process Connection: 3/16" OD barbed brass pressure fitting.
Enclosure Rating: NEMA 4 (IP65).
Weight: 11.5 oz (330 g).
Agency Approval: CE.

*RSS (Root Sum Square) includes non-linearity, hysteresis and non-repeatability.

ACCESSORIES

Model	Description
A-489	4" straight static pressure tip with flange
A-302F-A	303 SS static pressure tip with mounting flange; for 3/16" ID rubber or plastic tubing; 4" insertion depth; includes mounting screws

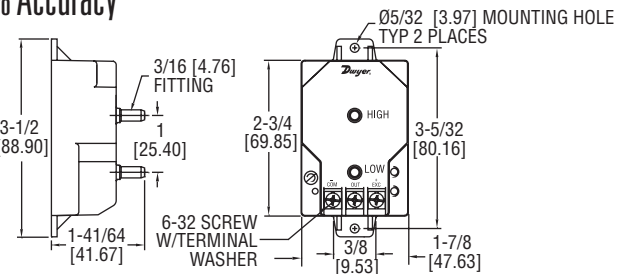
OPTION

Use order code:	Description
NISTCAL-PT1	NIST traceable calibration certificate

Process Tubing Options: See page 443 (Gage Tubing Accessories)

COMPACT DIFFERENTIAL PRESSURE TRANSMITTER

Ranges from 0 to 0.25 in w.c., Overpressure Protection to 10 psig, $\pm 1\%$ Accuracy



Our low cost **SERIES 668** Differential Pressure Transmitter is capable of measuring low pressures with a $\pm 1\%$ accuracy - ideally suited for proper building pressurization and air flow control. Transmitters can withstand up to 10 psig overpressure with no damage to the unit. Variable capacitance sensor design provides excellent sensitivity and long-term stability. Compact, lightweight design makes installation simple and easy. Units also feature reverse-polarity protection.

FEATURES/BENEFITS

- Good accuracy at low pressure ranges provides exceptional value for insuring control and minimizing costly out of specification conditions
- High overpressure rating eliminates possible damage to unit reducing unnecessary service time

APPLICATIONS

- Variable air volume systems
- Building management
- HVAC

MODEL CHART			
Model	Range	Bi-Directional Model	Range
668-1	0 to 0.25 in w.c.	668-10	0 to ± 0.1 in w.c.
668-2	0 to 0.5 in w.c.	668-11	0 to ± 0.25 in w.c.
668-3	0 to 1 in w.c.	668-14	0 to ± 2.5 in w.c.
668-4	0 to 2.5 in w.c.	668-17	0 to ± 25 in w.c.
668-5	0 to 5.0 in w.c.		
668-6	0 to 10 in w.c.		
668-7	0 to 25 in w.c.		
668-8	0 to 50 in w.c.		
668-9	0 to 100 in w.c.		

Note: To order unit with conduit cover, add C to model number.
Example: 668C-1. Consult factory for additional information.

SPECIFICATIONS

Service: Air and non-conductive gases.
Accuracy: $\pm 1\%$ of full-scale (RSS) (includes non-linearity, hysteresis, and non-repeatability).
Temperature Limits: Operating: 0 to 150°F (-18 to 65°C); Storage: -40 to 185°F (-40 to 85°C).
Pressure Limits: 10 psig (0.69 bar).
Compensated Temperature Range: 0 to 150°F (-18 to 65°C).
Thermal Effects: 0.033% FS/°F (0.018% FS/°C).
Supply Voltage: 12 to 30 VDC.
Output: 4 to 20 mA, 2-wire.
Zero and Span Adjust: ± 1 mA, non-interactive.
Response Time: < 60 ms.
Loop Resistance: 0 to 800 Ω .
Electrical Connection: Terminal strip.
Pressure Connection: 3/16" OD fitting for 1/4" ID tubing.
Housing: Fire retardant glass filled polyester.
Weight: 3 oz (85 g).
Agency Approvals: CE.

ACCESSORIES

Model	Description
A-489	4" straight static pressure tip with flange
A-302F-A	303 SS static pressure tip with mounting flange; for 3/16" ID rubber or plastic tubing; 4" insertion depth; includes mounting screws

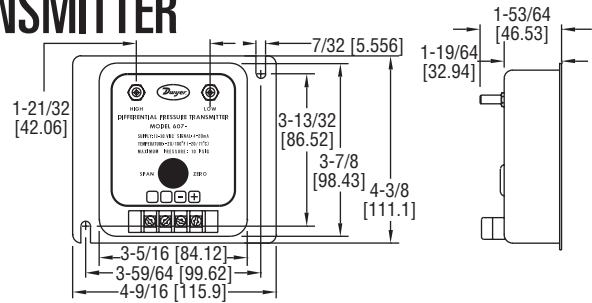
OPTION

Use order code:	Description
NISTCAL-PT1	NIST traceable calibration certificate

Process Tubing Options: See page 443 (Gage Tubing Accessories)

LOW RANGE DIFFERENTIAL PRESSURE TRANSMITTER

$\pm 0.25\%$ or $\pm 0.5\%$ Full Scale Accuracy, Ranges from 0 to 0.1 in w.c.



SERIES 607 Differential Pressure Transmitter combines very low ranges with exceptional stability, reliability and either $\pm 0.25\%$ or $\pm 0.5\%$ accuracy for the most demanding applications. Ranges from 0-0.1" to 0-25 in w.c. Ultra-thin glass clad silicon diaphragm design resists shock and vibration, practically eliminates drift. Certification to NIST standards is included with each unit. Tough stainless steel housing is NEMA 2 rated to protect against moisture and dirt. Use with air and other compatible gases.

FEATURES/BENEFITS

- High stability at low pressure ranges provides exceptional accuracy for insuring tight-control and minimizing costly out of specification conditions
- Provides sensitivity to pressure changes but resists vibration preventing drift and less accurate readings
- Stainless steel housing meets standards for lab and clean room applications

APPLICATIONS

- Leak detection
- Clean room control
- Lab and fume hood pressure control

MODEL CHART

Model	Range (in w.c.)	Model	Range (in w.c.)
607-0	0 to .10	607-71*	0 to ± 5.0
607-01*	0 to .10	607-8	0 to ± 10
607-1	0 to .25	607-0B	0 to ± 10
607-11*	0 to .25	607-1B	0 to ± 25
607-2	0 to .50	607-2B	0 to ± 50
607-21*	0 to .50	607-9	0 to 25
607-3	0 to 1.0	607-3B	0 to ± 1.0
607-4	0 to 2.0	607-4B	0 to ± 2.0
607-7	0 to 5.0	607-7B	0 to ± 5.0

*Models have a $\pm 0.25\%$ FS accuracy.

SPECIFICATIONS

Service: Air and non-conductive, non-corrosive gases.
Wetted Materials: Contact factory.
Accuracy: $\pm 0.5\%$ or $\pm 0.25\%$ FS.
Stability: $\pm 0.5\%$ FS/yr.
Temperature Limits: -20 to 160°F (-29 to 71°C), 10 to 95% RH.
Pressure Limits: 10 psig (0.69 bar).
Compensated Temp. Range: 35 to 135°F (2 to 57°C).
Thermal Effects: $\pm 0.015\%$ FS/°F (zero and span).
Power Requirements: 12 to 36 VDC.
Output Signal: 4 to 20 mA DC, 2-wire.

Zero & Span Adjustments: Externally accessible potentiometers, non-interactive, $\pm 10\%$ FS adjustment.
Response Time: 250 msec max.
Loop Resistance: 0 to 1045 Ω
 $V_{min} = 12V + [(0.22A)(RL)]$.
Current Consumption: 3.6 mA (min).
Electrical Connection: Screw terminals.
Process Connection: Barbed stainless steel for 3/16" ID tubing.
Housing: 300 Series SS (NEMA 2, IP11).
Weight: 1.04 lb (472 g).
Agency Approvals: CE.

ACCESSORY

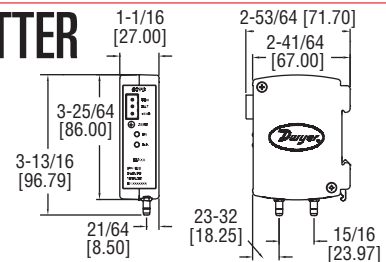
Model	Description
A-302F-A	303 SS static pressure tip with mounting flange; for 3/16" ID rubber or plastic tubing; 4" insertion depth; includes mounting screws

OPTION

Use order code:	Description
NISTCAL-PT1	NIST traceable calibration certificate

DIN RAIL MOUNT DIFFERENTIAL PRESSURE TRANSMITTER

Mounts on 35 mm DIN Rail, LED Status Indication, $\pm 0.25\%$ Full Scale Accuracy



SERIES 607D DIN Rail Mount Differential Pressure Transmitter senses the pressure of air and compatible gases and sends a standard 4 to 20 mA output signal. The 607D housing is specifically designed to mount on a 35 mm DIN rail in a panel. This mounting style allows for several units to be mounted closely together reducing required space. A wide range of models are available factory calibrated to 0.25% full scale accuracy in ranges from the very low 0.1 in w.c. to 25 in w.c. The span and zero controls are for field calibration. Units also include red/green LED status of proper transmitter operation. Versatile circuit design enables operation in 2-wire current loops.

FEATURES/BENEFITS

- High accuracy at low pressure ranges provides exceptional measurement for insuring tight-control and minimizing costly out of specification conditions
- DIN mountable allows use in control panels for easy access to electrical supply reducing costly cabling
- Visual LED indicators provides quick status on transmitter operation saving troubleshooting time

APPLICATIONS

- HVAC
- Clean room control
- Filter status

MODEL CHART

Model	Range (in w.c.)	Model	Range (in w.c.)
607D-01	0 to 0.1	607D-08	0 to 25
607D-02	0 to 0.25	607D-11	0 to ± 0.05
607D-03	0 to 0.5	607D-12	0 to ± 0.1
607D-04	0 to 1	607D-13	0 to ± 0.25
607D-05	0 to 2.5	607D-14	0 to ± 0.5
607D-06	0 to 5	607D-15	0 to ± 1
607D-07	0 to 10		

SPECIFICATIONS

Service: Air and non-conductive, non-corrosive gases.
Wetted Materials: 302 SS, glass, nickel, silicone rubber and brass.
Accuracy: $\pm 0.25\%$ FS* at room temperature. *RSS includes non-linearity, hysteresis and non-repeatability.
Stability: $\pm 1\%$ FS/yr.
Temperature Limits: Operating and compensated: 0 to 170°F (-18 to 77°C); Storage: -65 to 185°F (-54 to 85°C).
Pressure Limits: 15 psi (100 kPa).
Thermal Effects: (Includes zero and span) ± 0.01 FS/°F, 20 to 170°F (-7 to 77°C).

Power Requirements: 16 to 32 VDC.
Output Signal: 4 to 20 mA.
Zero Adjustment: Potentiometer for zero.
Response Time: Approximately 10 ms.
Max. Loop Resistance: DC: 0 to 800 Ω .
Electrical Connections: Screw-type removable terminal block.
Process Connections: Barbed fittings for 1/8" (3.12 mm) ID rubber or vinyl tubing.
Mounting Orientation: Vertical, on a 1.378" (35 mm) DIN rail.
Weight: 7.0 oz (198 g).
Agency Approvals: CE.

ACCESSORY

Model	Description
A-360	Aluminum DIN rail 1 m

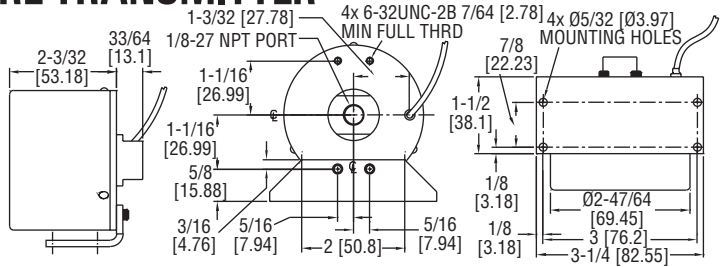
OPTION

Use order code:	Description
NISTCAL-PT1	NIST traceable calibration certificate

Process Tubing Options: See page 443 (Gage Tubing Accessories)

HIGH ACCURACY DIFFERENTIAL PRESSURE TRANSMITTER

±0.14% FS Accuracy, NIST Certificate Included



SERIES HADP Differential Pressure Transmitter combines low ranges with exceptional stability, reliability and an outstanding accuracy of ±0.14% FS. All models come with NIST certificates and are available in unidirectional and bi-directional ranges as low as 0 to 0.5 in w.c. and 0 to 5 psid. The Series HADP transmitters are extremely stable allowing for use in the most demanding applications.

FEATURES/BENEFITS

- High stability at low pressure ranges provides exceptional accuracy for insuring tight-control and minimizing costly out of specification conditions
- Fast warm-up and response means no lag in monitoring and control that can cause time consuming false alarm conditions

APPLICATIONS

- Clean rooms
- Medical instruments
- Leak detection
- Energy management
- Environmental testing

MODEL CHART

Current Output Model	Range	Max Pressure High Port	Max Pressure Low Port
HADP-UC-00	0 to 0.5 in w.c.	5 psi	2.5 in w.c.
HADP-UC-01	0 to 1 in w.c.	7 psi	5 in w.c.
HADP-UC-03	0 to 5 in w.c.	20 psi	25 in w.c.
HADP-UC-04	0 to 15 in w.c.	50 psi	75 in w.c.
HADP-BC-08	0 to ±0.25 in w.c.	5 psi	2.5 in w.c.
HADP-BC-09	0 to ±0.5 in w.c.	7 psi	5 in w.c.
HADP-BC-10	0 to ±1 in w.c.	10 psi	12.5 in w.c.
HADP-BC-12	0 to ±7.5 in w.c.	50 psi	75 in w.c.
HADP-UC-06	0 to 5 psid	75 psi	25 psi
HADP-BC-14	0 to ±2.5 psid	75 psi	25 psi

Note: For voltage output models change HADP-XC-XX to HADP-XV-XX.

SPECIFICATIONS

Service: Compatible non-conducting air/gas.
Wetted Parts: Consult factory.
Accuracy: < ±0.14% FS.
Stability: < ±0.1% FS over 6 months @ 70°F (21°C).
Pressure Limits: See model chart.
Temperature Limits: Operating: 0 to 175°F (-18 to 71°C); Storage: -65 to 250°F (-53 to 121°C).
Compensated Temperature Range: 30 to 150°F (-1 to 65°C).
Thermal Effect: < ±1.0% FS/100°F.
Power Requirements: 17 to 42 VDC for current models, 22 to 30 VDC for voltage models.
Output Signal: 4 to 20 mA for current models, 0 to 5 VDC for voltage models.
Zero and Span Output: Zero output: Factory set to within ±0.07 mA; Span output: Factory set to within ±0.07 mA.

Loop Resistance: Min. supply voltage (VDC) = 17 + 0.02 x Resistance of receiver plus line; Max. supply voltage (VDC) = 42 + 0.004 x Resistance of receiver plus line.
Zero and Span Adjustments: None.
Response Time: < 5 ms.
Current Consumption: < 30 mA.
Electrical Connections: 2 ft cable.
Process Connections: 1/8"-27 NPT internal (both positive and negative ports).
Mounting Orientation: Pressure port 90° parallel to ground.
Thermal Effects: Max. zero: ±1.0 (±1.8); %FS/100°F (100°C) max.
Weight: 8 oz (227 g).
Agency Approval: CE.

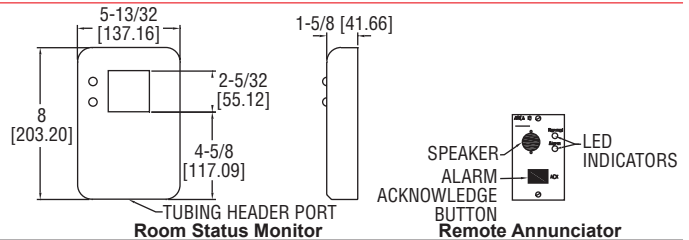
OPTIONS

To order add suffix:	Description
-T1	Expanded temp range -65 to 250°F (-53 to 121°C)
-A1	Improved accuracy ±0.073% FS

Process Tubing Options: See page 443 (Gage Tubing Accessories)

ROOM STATUS MONITOR

For Sensing Low Pressure Using High Accuracy



SERIES RSM Room Status Monitor is designed for critical low differential pressure applications that require stringent pressure monitoring and alarming. The Series RSM can be configured to monitor positive or negative pressure in protected environments and hospital isolation rooms per CDC guidelines. The RSM is a complete system with a graphic user interface which enables access to pressure, security, calibration, and alarm setup. The RSM has a NEMA 1 (IP20) rated fire retardant plastic for indoor applications.

FEATURES/BENEFITS

- Accurately monitor protective environments for negative or positive pressure ensuring safety and reducing risk of catastrophic events
- Audible and visual alarm provides immediate local alerts allowing corrective action to be taken quicker to eliminate the problem from becoming widespread
- Password protected set up menu helps to insure no errors by untrained personnel
- Optional BACnet communication from devices provides integration into building control system for automated control and centralized monitoring and alarming

APPLICATIONS

- Hospital isolation wards
- Clean rooms
- Pharmaceutical
- Research labs
- Manufacturing
- Animal facilities

MODEL CHART

Model*	Operating Range	Model**	Operating Range
RSM-1-A	±0.05 in w.c.	RSM-1-B	±0.05 in w.c.
RSM-2-A	±0.1 in w.c.	RSM-2-B	±0.1 in w.c.
RSM-3-A	±0.25 in w.c.	RSM-3-B	±0.25 in w.c.
RSM-4-A	±0.5 in w.c.	RSM-4-B	±0.5 in w.c.
RSM-5-A	±1 in w.c.	RSM-5-B	±1 in w.c.
RSM-6-A	±2.5 in w.c.	RSM-6-B	±2.5 in w.c.

*Excitation/Output: 24 VAC/4 to 20 mA or 0 to 5 or 0 to 10 VDC.

**Excitation/Output: 120 VAC/4 to 20 mA or 0 to 5 or 0 to 10 VDC.

Note: For optional BACnet communication change end from -A to -C for 24 VAC power or from -B to -D for 120 VAC power models.

SPECIFICATIONS

Service: Air or non-conductive, nonexplosive gases.
Accuracy: ±0.5% FS.
Temperature Limits: 32 to 120°F (0 to 50°C).
Humidity Limits: 5 to 95% relative humidity (non-condensing).
Altitude: 6561 ft (2000 meters) max.
Thermal Effects: ±0.03% FS/°F (± 0.05% FS/°C).
Pressure Limits: ±15 in w.c. (±3.7 kPa).
Supply Voltage: Order code A (24 VAC): 18 to 32 VAC, 50 to 60 Hz; Order code B (120 VAC): 85 to 265 VAC, 50 to 60 Hz; Main supply voltage fluctuations up to 10%.
Power Requirements: 5 W.
Power Consumption (Voltage output): 5 W.
Output Signal: Selectable 4 to 20 mA (2-wire), 0 to 5 VDC (3-wire), or 0 to 10 VDC (3-wire).

Switch Type: SPST.
Loop Resistance (4 to 20 mA output): 0 to 510 Ω.
Electrical Connection: Removable terminal block.
Process Connections: Barbed fittings for 3/16" ID tubing.
Enclosure Rating: NEMA 1 (IP20) rated for indoor applications.
Housing: Fire retardant plastic.
Mounting: Mount to standard double gang metal electrical box using 4x4" plaster ring adapter.
Dimensions: 8" H x 5.4" W x 1.8" D (20.3 H x 13.7 W x 4.1 D cm).
Weight: 1.5 lb (680 g).
Communications: BACnet MSTP ASC optional.
Agency Approvals: CE, CSA (RSM only).

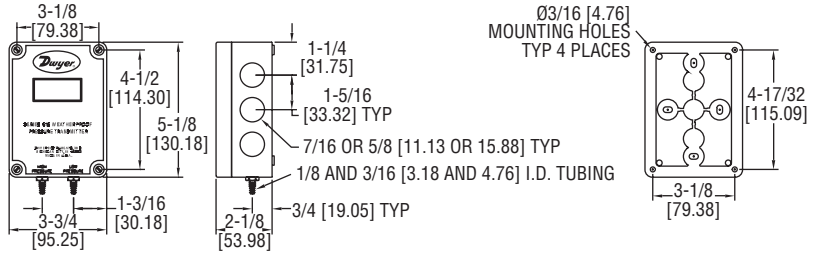
ACCESSORY

Model	Excitation/Output
A-285	Remote alarm annunciator with visible/audible alarm and acknowledge switch

Process Tubing Options: See page 443 (Gage Tubing Accessories)

DIFFERENTIAL PRESSURE TRANSMITTER

NEMA 4X Enclosure, 0.25% FS Accuracy



Positive, negative and differential pressures can be measured within a full span accuracy of ± 0.25 with the **SERIES 616W** Differential Pressure Transmitter. Units are enclosed in a polycarbonate case, rated NEMA 4X (IP66) and operate by sensing the pressure of air and compatible gases then sending a standard 4-20 mA output signal. Design enables operation in 2-wire current loops. A wide range of models are available factory calibrated to specific ranges. The span and zero controls are for use when checking calibration. They are not intended for re-ranging to a significantly different span. The LCD display allows local indication of pressure.

FEATURES/BENEFITS

- NEMA 4X rated enclosure provides protection in harsh environments permitting outdoor monitoring or in areas where dust and particulate matter exists
- Easy to read LCD display provides immediate local alerts allowing corrective action to be taken quicker to eliminate the problem from becoming widespread
- Zero and span controls provides easy calibration checks and shorter installation time to get device running and monitoring

APPLICATIONS

- Dust collection
- Outdoor HVAC
- Roof-top equipment

MODEL CHART		
Model	Range	Max. Pressure
616W-2-LCD	0 to 6 in w.c.	5 psig
616W-3-LCD	0 to 10 in w.c.	5 psig
616W-4-LCD	0 to 20 in w.c.	11 psig
616W-5-LCD	0 to 40 in w.c.	11 psig
616W-6-LCD	0 to 100 in w.c.	29 psig
616W-7-LCD	0 to 200 in w.c.	29 psig
616W-20B-LCD	0 to ± 10 in w.c.	11 psig
616W-3M-LCD	0-2.5 kPa	34.5 kPa

Note: Units with "M" in the model number are metric units.

SPECIFICATIONS

Service: Air and non-combustible, compatible gases.
Wetted Materials: Consult factory.
Accuracy: $\pm 0.25\%$ FS, display accuracy $\pm 0.5\%$.
Stability: $\pm 1\%$ FS/yr.
Temperature Limits: 0 to 150°F (-17.8 to 66°C).
Pressure Limits: See chart.
Power Requirements: 10 to 35 VDC (2-wire).
Output Signal: 4 to 20 mA.
Power Requirements: 10 to 35 VDC (2-wire), 17 to 36 VDC, or isolated 21.6 to 33 VAC (3-wire).
Output Signal: 4 to 20 mA (2-wire), 0 to 5 VDC, or 0 to 10 VDC (3-wire).

Zero and Span Adjustments: Push buttons.
Loop Resistance: Current output: 0 to 1250 Ω max; Voltage output: Load resistance 1 k Ω (min).
Current Consumption: 40 mA (max).
Electrical Connections: 3-wire removable European style terminal block for 16 to 26 AWG.
Process Connections: Barbed, dual size to fit 1/8" and 3/16" (3.12 and 4.76 mm) ID rubber or vinyl tubing.
Enclosure Rating: NEMA 4X (IP66).
Mounting Orientation: Any orientation.
Weight: Without LCD 8.8 oz. (249 g); with LCD 9.6 oz (272 g).
Agency Approvals: CE.

OPTION

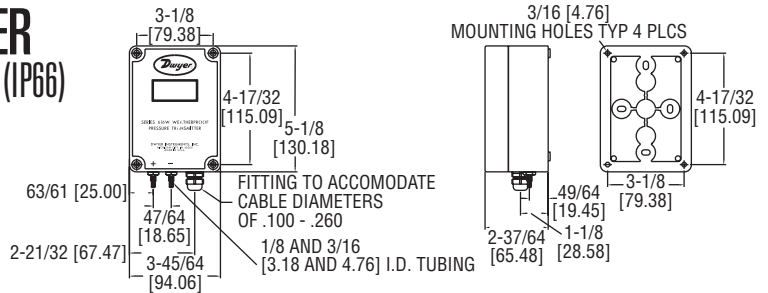
To order add suffix:	Description
-NIST	NIST traceable calibration certificate

Example: 616W-3-LCD-NIST

Process Tubing Options: See page 443 (Gage Tubing Accessories)

DIFFERENTIAL PRESSURE TRANSMITTER

LOW RANGES DOWN TO 0.25 IN W.C. (60 PA), NEMA 4X HOUSING (IP66)



The **SERIES 616WL** Differential Pressure Transmitter senses very low pressures of air and non-combustible, compatible gases and sends a standard 4-20 mA output signal. All models, including those featuring the 3 digit LCD digital read-out, are factory calibrated to specific ranges as listed in the chart below. Positive, negative and differential pressures can be measured within a full span accuracy of $\pm 0.50\%$. This weatherproof unit is enclosed in a polycarbonate case, designed to meet (IP66/NEMA 4X). Internal digital push button zero and span allow for quick and simple field calibration.

FEATURES/BENEFITS

- NEMA 4X rated enclosure provides protection in harsh environments permitting outdoor monitoring or in areas where dust and particulate matter exists
- Easy to read LCD display provides immediate local alerts allowing corrective action to be taken quicker to eliminate the problem from becoming widespread
- Zero and span controls provides easy calibration checks and shorter installation time to get device running and monitoring
- High precision accuracy at low pressure ranges provides exceptional accuracy for insuring tight-control and minimizing costly out of specification conditions

APPLICATIONS

- Low pressure applications
- Outdoor HVAC
- Dust collection
- Roof-top equipment

OPTION	
To order add suffix:	Description
-NIST	NIST traceable calibration certificate

Example: 616WL-4-LCD-NIST

SPECIFICATIONS

Service: Air and non-combustible, compatible gases.
Wetted Materials: Consult factory.
Accuracy: $\pm 0.50\%$ FS, display accuracy $\pm 0.5\%$.
Stability: $\pm 1\%$ FS/yr.
Temperature Limits: 0 to 140°F (-17.8 to 60°C).
Compensated Temperature Limits: 20 to 120°F (-6.67 to 48.9°C).
Pressure Limits: See chart.
Thermal Effect: $\pm 0.02\%$ FS/°F (0.036% FS/°C).
Power Requirements: 12 to 30 VDC (2-wire).
Output Signal: 4 to 20 mA.

Zero and Span Adjustments: Digital, push button adj.
Loop Resistance: DC; 0 to 900 Ω max.
Current Consumption: DC; 38 mA max.
Electrical Connections: Screw-type terminal block.
Process Connections: Barbed, dual size to fit 1/8" and 3/16" (3.12 and 4.76 mm) ID rubber or vinyl tubing.
Enclosure Rating: NEMA 4X (IP66).
Mounting Orientation: Vertical, consult factory for other position orientations.
Weight: Without LCD 17 oz (482 g); with LCD 18 oz (510 g).
Agency Approvals: CE.

MODEL CHART		
Model	Range	Max. Pressure
616WL-2-LCD	0 to 0.25 in w.c.	2 psig
616WL-4-LCD	0 to 1 in w.c.	4 psig
616WL-12-LCD	0 to ± 0.25 in w.c.	2 psig
616WL-14-LCD	0 to ± 1 in w.c.	4 psig
616WL-22-LCD	0 to 60 Pa	2 psig
616WL-32-LCD	0 to ± 60 Pa	2 psig
616WL-25-LCD	0 to 250 Pa	4 psig
616WL-35-LCD	0 to ± 250 Pa	4 psig

Process Tubing Options: See page 443 (Gage Tubing Accessories)

DIFFERENTIAL PRESSURE TRANSMITTER

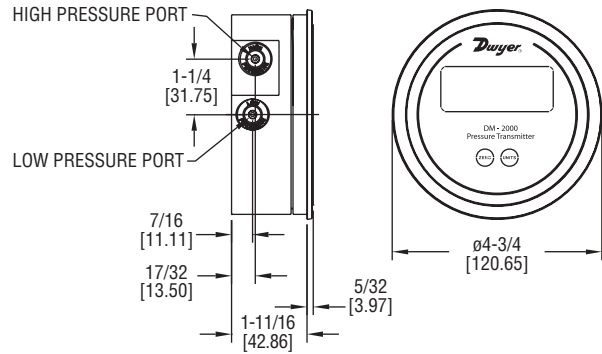
Same Size as Standard Magnehelic® Differential Pressure Gauge



DM-2000-LCD



DM-2100-LCD



The Dwyer **SERIES DM-2000** Differential Pressure Transmitter senses the pressure of air and compatible gases and sends a standard 4-20 mA output signal. The DM-2000 housing is specifically designed to mount in the same diameter cutout as a standard Magnehelic® gage. A wide range of models are available factory calibrated to specific ranges.

Pressure connections are inherent to the glass filled plastic molded housing making installation quick and easy. Digital push-button zero and span simplify calibration over typical turn-potentiometers. An optional 3.5 digit LCD shows process and engineering units. A single push button allows field selection of 4 to 6 engineering units depending on range.

FEATURES/BENEFITS

- Zero and span controls provides easy calibration checks and shorter installation time to get device running and monitoring
- Quick response to pressure changes means no delay in signaling and alerting to critical situations
- Easy to read LCD display provides immediate local alerts allowing corrective action to be taken quicker to eliminate the problem from becoming widespread
- Same size as Magnehelic simplifies field upgrade to digital pressure gage by reducing install steps

APPLICATIONS

- Differential pressure across filters
- Fan control
- Static pressures in ducts or buildings

MODEL CHART						
Model	Range (in w.c.)	Pa	mm w.c.	mBar	kPa	psi
DM-2001-LCD	0 to .100	24.9	2.54	.249	-	-
DM-2002-LCD	0 to .250	62.2	6.35	.622	-	-
DM-2003-LCD	0 to .500	124.3	12.70	1.243	.124	-
DM-2004-LCD	0 to 1.000	249	25.4	2.49	.249	-
DM-2005-LCD	0 to 2.00	497	50.8	4.97	.497	-
DM-2006-LCD	0 to 3.00	746	76.2	7.46	.746	.108
DM-2007-LCD	0 to 5.00	1243	127.0	12.43	1.243	.180
DM-2012-LCD	0 to ±.250	0 to ±62.2	0 to ±6.35	0 to ±.622	-	-
DM-2013-LCD	0 to ±.500	0 to ±124.3	0 to ±12.70	0 to ±1.243	-	-
DM-2019-LCD	0 to ±.200	49.8	5.08	.498	-	-

Note: For white overlay change -20 to -21. **Example:** DM-2102-LCD

SPECIFICATIONS

- Service:** Air and non-combustible, compatible gases.
- Wetted Materials:** Consult factory.
- Accuracy:** ±1% FS at 70°F.
- Stability:** ±1% FS/yr.
- Temperature Limits:** 20 to 120°F (-6.67 to 48.9°C).
- Pressure Limits:** 10 psig (0.69 bar).
- Thermal Effect:** ±0.055% FS/°F (0.099% FS/°C).
- Power Requirements:** 10 to 35 VDC (2 wire).
- Output Signal:** 4 to 20 mA.
- Zero and Span Adjustments:** Digital push-button zero and span.
- Loop Resistance:** DC: 0 to 1250 Ω maximum.
- Current Consumption:** DC: 38 mA max.
- Electrical Connections:** Screw-type terminal block.
- Display:** 3.5 digit LCD, 0.7" H.
- Process Connections:** 1/8" ID tubing.
- Mounting Orientation:** Vertical.
- Weight:** 4.8 oz (136 g).

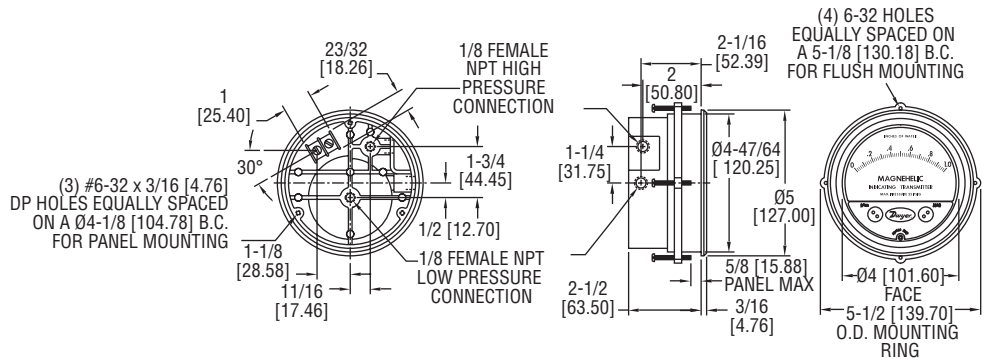
OPTIONS	
To order add suffix:	Description
-NIST	NIST traceable calibration certificate
Example: DM-2002-LCD-NIST	
-FC	Factory calibration certificate
Example: DM-2002-LCD-FC	

ACCESSORIES	
Model	Description
A-299	Surface mounting bracket
A-300	Flat flush mounting bracket
A-302F-A	303 SS static pressure tip with mounting flange; for 3/16" ID rubber or plastic tubing; 4" insertion depth; includes mounting screws
A-320-A	Instrument enclosure
A-489	4" straight static pressure tip with flange
SCD-PS	100 to 240 VAC/VDC to 24 VDC power supply

Process Tubing Options: See page 443 (Gage Tubing Accessories)



MAGNEHELIC® DIFFERENTIAL PRESSURE Indicating Transmitter



The **SERIES 605** Magnehelic® Indicating Transmitter provides for both visual monitoring and electronic control of very low differential pressure. The Series 605 is ideal for control applications in building HVAC systems where local indication is desired during routine maintenance checks or necessary when trouble shooting the system. The easily read dial gage is complimented by the two-wire, 4-20 mA control signal utilizing the time-proven Dwyer® Magnehelic® gage mechanical design and Series 600 transmitter technology. The two-wire design with terminal strip on the rear simplifies connection in any 4-20 mA control loop powered by a 10-35 VDC supply.

FEATURES/BENEFITS

- Easy to read gage permits viewing from far away
- Patented design provides quick response to pressure changes means no delay in signaling and alerting to critical situations
- Durable and rugged housing and high-quality components combined provides long-service life and minimized down-time

APPLICATIONS

- Monitor pressures in ducts, rooms, or total building pressures
- Filter monitoring
- Local indication of clean room pressures with process signal sent to control room

MODEL CHART				
Model	Range in w.c.	Maximum Pressure	Electrical Accuracy ±%	Mechanical Accuracy ±%
605-00N	0 to ±.20	25 psi (1.7 bar)	2	4
605-11	0 to ±.25	25 psi (1.7 bar)	2	3
605-0	0 to .50	25 psi (1.7 bar)	2	3
605-1	0 to 1.0	25 psi (1.7 bar)	2	2
605-2	0 to 2.0	2 psi (13.79 kPa)	0.5	2
605-3	0 to 3.0	2 psi (13.79 kPa)	0.5	2
605-6	0 to 6.0	2 psi (13.79 kPa)	0.5	2
605-10	0 to 10	2 psi (13.79 kPa)	0.5	2
605-20	0 to 20.0	11 psi (75.8 kPa)	0.5	2
605-30	0 to 30	11 psi (75.8 kPa)	0.5	2
605-50	0 to 50	11 psi (75.8 kPa)	0.5	2
Model	Range in Pa	Maximum Pressure	Electrical Accuracy ±%	Mechanical Accuracy ±%
605-60PA	0 to 60	25 psi (1.7 bar)	2	4
605-125PA	0 to 125	25 psi (1.7 bar)	2	3
605-250PA	0 to 250	25 psi (1.7 bar)	2	2
605-500PA	0 to 500	2 psi (13.79 kPa)	0.5	2

OPTION	
To order add suffix:	Description
-NIST	NIST traceable calibration certificate
Example: 605-3-NIST	

SPECIFICATIONS

GAGE SPECIFICATIONS

- Service:** Air and non-combustible, compatible gases.
- Wetted Materials:** Consult factory.
- Accuracy:** See chart.
- Stability:** ±1% FS/yr.
- Pressure Limits:** See chart.
- Temperature Limits:** 20 to 120°F (-6.67 to 48.9°C).
- Process Connections:** 1/8" female NPT.
- Size:** 4" (101.6 mm) dial face, 5" (127 mm) OD x 2-11/16" (68.3 mm).
- Weight:** 1 lb 12.6 oz (811 g).
- Agency Approvals:** CE.

TRANSMITTER SPECIFICATIONS

- Accuracy:** See chart (includes linearity, hysteresis, repeatability).
- Temperature Limits:** 20 to 120°F (-6.67 to 48.9°C).
- Compensated Temperature Range:** 32 to 120°F (0 to 48.9°C).
- Thermal Effect:** ±0.025% FS/°F (0.045% FS/°C).
- Power Requirements:** 10 to 35 VDC (2-wire).
- Output Signal:** 4 to 20 mA.
- Zero and Span Adjustments:** Protected potentiometers.
- Loop Resistance:** DC: 0 to 1250 Ω max.
- Current Consumption:** DC: 38 mA max.
- Electrical Connections:** Screw terminal block.
- Mounting Orientation:** Diaphragm in vertical position. Consult factory for other position orientations.

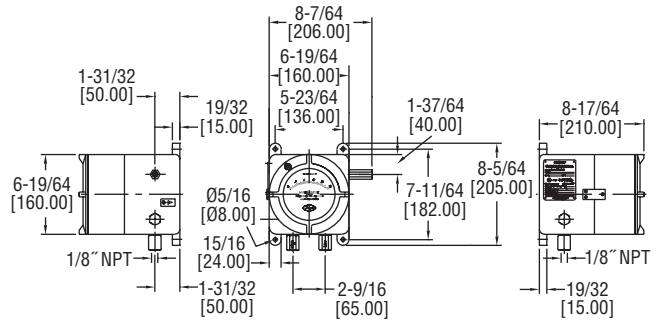
ACCESSORIES

Model	Description
A-298	Flat aluminum bracket for flush mounting
A-370	Mounting bracket; flush mount Series 605 Transmitter in bracket; bracket is then surface mounted; steel with gray hammertone epoxy finish

Process Tubing Options: See page 443 (Gage Tubing Accessories)
Static Fitting Options: See page 444 (Static Pressure Tips)

ATEX APPROVED 605 DIFFERENTIAL PRESSURE INDICATING TRANSMITTER

Series 605 in Flame-Proof ATEX Enclosure



The ATEX approved **SERIES AT2605** Indicating Transmitter provides for both visual monitoring and electronic control of very low differential pressure in hazardous locations. The easily read dial gage is complemented by the two-wire, 4 to 20 mA control signal utilizing the time-proven Dwyer® Magnehelic® gage mechanical design and Series 600 transmitter technology. The two-wire design simplifies any 4 to 20 mA control loop powered by a 10 to 35 VDC supply. Flame-proof ATEX enclosures are available in aluminum and can include a glass window for viewing process pressure on gage face.

FEATURES/BENEFITS

- ATEX housing provides all the capabilities and value of the Magnehelic 605 in a flame & explosion proof enclosure
- Quick response to pressure changes means no delay in assessing critical situations
- Durable and rugged housing and high-quality components combined provides long-service life and minimized down-time
- High impact strength and high temperature rated for applications where hazardous environments exist

APPLICATIONS

- Monitor pressures in ducts, rooms, or total building pressures
- Filter monitoring
- Local indication of clean room pressures with process signal sent to control room
- Hazardous area pressure measurement and transmitter

SPECIFICATIONS

GAGE SPECIFICATIONS

Service: Air and non-combustible, compatible gases.
Wetted Materials: Consult factory.
Accuracy: See page reference 1 below.
Pressure Limits: See page reference 1 below.
Temperature Limits: 20 to 120°F (-6.67 to 48.9°C); Case: -76 to 140°F (-60 to 60°C) (**Note:** Product temperature limits differ from case).
Size: 4" (101.6 mm) dial face.

TRANSMITTER SPECIFICATIONS

Accuracy: See page reference 1 below. Includes linearity, hysteresis, repeatability.
Compensated Temperature Range: 32 to 120°F (0 to 48.9°C).
Thermal Effect: ±0.025% FS/°F (0.045% FS/°C).
Stability: ±1% FS/year.
Power Requirements: 10 to 35 VDC (2-wire).
Output Signal: 4 to 20 mA.

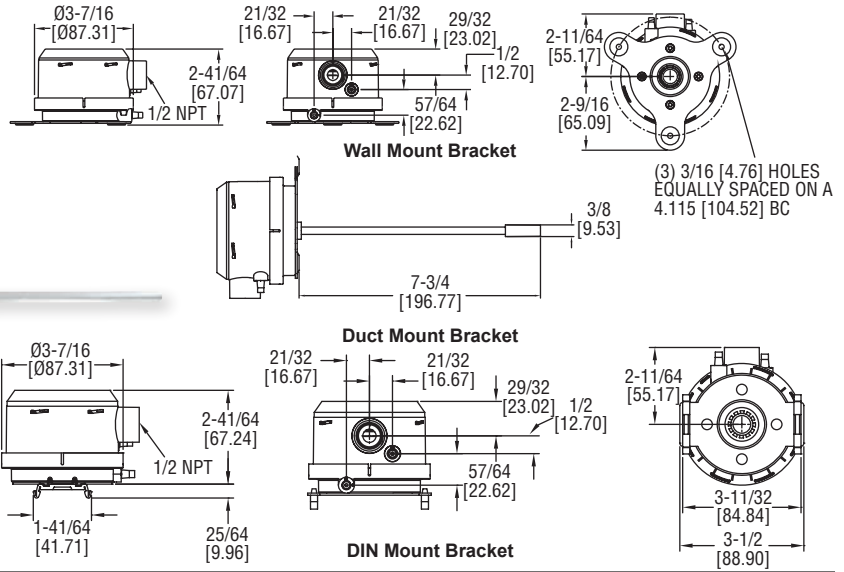
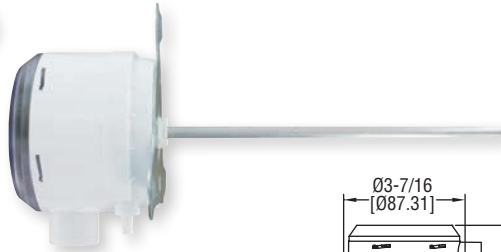
Zero and Span Adjustments: Protected potentiometers on 605 face. Can access those by opening case. Allowed only in safe zone.
Loop Resistance: DC: 0 to 1250 Ω max.
Current Consumption: DC: 38 mA max.
Electrical Connections: Screw terminal block.
Mounting Orientation: Diaphragm in vertical position.
Enclosure Rating: IP66. IP65 with option OPV, overpressure relief valve.
Housing Material: Aluminum.
Finishing: Texture epoxy coat RAL7038.
Process Connections: 1/8" NPT female brass (SS optional). In presence of acetylene it is necessary to use SS.
Electrical Connections: Two 1/2" NPT female. Cable gland not included.
Weight: 12.6 lb (5.7 kg).
ATEX Approved Products from Comhas with ECN: BVI 14ATEX0072.
Agency Approvals: CE 1370 Ex d IIC Gb T6; -60°C ≤ Ta ≤ +60°C Ex tb IIIC Db T 85°C.

MODEL CHART									
Example	AT2605	-00N	-X	-A	B	1	X	T2	AT2605-00N-X-AB1XT2
Series	AT2605								ATEX approved 605 differential pressure indicating transmitter
Range		00N 11 0 1 2 3 6 10 20 30 50 60Pa 125Pa 250Pa 500Pa							.05 to 0 to .20 in w.c. .25 to 0 to .25 in w.c. 0 to .50 in w.c. 0 to 1.0 in w.c. 0 to 2.0 in w.c. 0 to 3.0 in w.c. 0 to 6.0 in w.c. 0 to 10.0 in w.c. 0 to 20.0 in w.c. 0 to 30 in w.c. 0 to 50 in w.c. 0 to 60 Pa 0 to 125 Pa 0 to 250 Pa 0 to 500 Pa
Construction			X						Standard construction
Housing				A					Aluminum
Cover					B O				Blind Glass top cover
Process Connection						1 2			1/8" NPT female brass ports 1/8" NPT female SS ports
Overpressure Plug							X OPV		Standard without overpressure relief valve Overpressure relief valve Material same as ports
Tag								T2	SS information label



MAGNESENSE® II DIFFERENTIAL PRESSURE TRANSMITTER

Monitors Pressure, Air Velocity & Air Flow, BACnet/Modbus® Communications



Scan here to watch product video

The **SERIES MS2** MagneSense® II Differential Pressure Transmitter combines the proven stable Hall Effect sensing technology of our original Series MS with additional features to reduce installation time and simplify ordering. Like the original Series MS, the second generation transmitter can be used as a linear pressure output or a linear velocity output with the square root extraction done in the transmitter. Additional parameters have been included to expand the square root capability to include flow measurements.

FEATURES/BENEFITS

- Field selectable ranges and output signal reduce inventory and the chances of ordering an incorrect part
- BACnet or Modbus serial communications reduce wiring cost by daisy-chaining the transmitters
- Our integral field-upgradeable display or plug-in remote display tool save upfront material cost and allow for local viewing of measurements

APPLICATIONS

- Filter monitoring in air handler units
- Building pressure in pharmaceutical-semiconductor clean rooms
- Duct static pressure in commercial buildings
- Air velocity/flow in VAV systems

Model	in w.c.	Pa	mm w.c.	kPa
MS2-W101	0.10, 0.15,	25, 40, 50, 125	2.5, 4, 6, 10	0.025, 0.04, 0.05, 0.125
	0.25, 0.50			
MS2-W111	±0.10, ±0.15,	±25, ±40, ±50, ±125	±2.5, ±4, ±6, ±10	±0.025, ±0.04, ±0.05, ±0.125
	±0.25, ±0.50			
MS2-W102	1, 2, 3, 5	250, 500, 750, 1250	25, 50, 75, 125	0.25, 0.5, 0.75, 1.25
MS2-W103	10, 15, 25, 28	2500, 3500, 5000, 6975	250, 350, 500, 697.5	2.5, 3.5, 5.0, 6.975

Note:
For duct mount static probe change W to D. **Example:** MS2-D101
For DIN rail mounting change W to N. **Example:** MS2-N101

OPTIONS	
To order add suffix:	Description
-LCD	Units with display
Example: MS2-W101-LCD	
-BC	BACnet Communications
Example: MS2-W101-BC	
-MC	Modbus® Communications
Example: MS2-W101-MC	
-NIST	NIST traceable calibration certificate
Example: MS2-W101-NIST	
-FC	Factory calibration certificate
Example: MS2-W101-FC	

SPECIFICATIONS

Supported Baud Rates: 9600, 19200, 38400, 57600, 76800, 115200.
Data Size: 8.
Parity: None.
Stop Bits: 1.
Service: Air and non-combustible, compatible gases.
Wetted Materials: Consult factory.
Typical Accuracy: ±1% FS for 0.15 in w.c. (40 Pa), 0.25 in w.c. (50 Pa), 0.5 in w.c. (100 Pa), 2 in w.c. (500 Pa), 3 in w.c. (750 Pa), 5 in w.c. (1250 Pa), 10 in w.c. (2 kPa), 15 in w.c. (3 kPa), 25 in w.c. (5 kPa), 28 in w.c. (6.975 kPa); ±2% FS for 0.1 in w.c. (25 Pa), 1 in w.c. (250 Pa), and all bi-directional ranges.
Stability: ±1% / year FSO.
Temperature Limits: 0 to 150°F (-18 to 66°C).
Pressure Limits: 1 psi max., operation; 10 psi burst.
Power Requirements: 10 to 35 VDC (2-wire), 17 to 36 VDC or isolated 21.6 to 33 VAC (3-wire).
Output Signals: 4 to 20 mA (2-wire), 0 to 5 VDC, 0 to 10 VDC (3-wire).
Response Time: Adjustable: 0.5 to 15 sec. time constant. Provides a 95% response time of 1.5 to 45 seconds.
Zero & Span Adjustments: Digital push buttons.
Loop Resistance: Current output: 0 to 1250 Ω max; Voltage output: Min. load resistance 1 kΩ.
Current Consumption: 40 mA max.
Display (Optional): 5 digit LCD.
Electrical Connections: 3-wire removable European style terminal block for 16 to 22 AWG.
Electrical Entry: 1/2" NPS thread.
Process Connection: 3/16" ID tubing (5 mm ID); Max. OD 9 mm.
Enclosure Rating: IP66.
Mounting Orientation: Diaphragm in vertical position.
Weight: 8.0 oz (230 g).
Agency Approvals: BTL, CE.

ACCESSORIES	
Model	Description
A-151	Cable gland for 5 to 10 mm diameter cable
A-MS2-LCD	Field upgradeable display
A-435-A	Remote display tool
A-480	Plastic static pressure tip
A-481	Installer kit; includes 2 plastic static pressure tips and 7 ft (2.1 m) of PVC tubing
A-489	4" 303 SS straight static pressure tip with flange
A-302F-A	4" 303 SS static pressure tip with mounting flange; for 3/16" ID rubber or plastic tubing
SCD-PS	100 to 240 VAC/VDC to 24 VDC power supply

Modbus® is a registered trademark of Schneider Automation, Inc.
Process Tubing Options: See page 443 (Gage Tubing Accessories)

MAGNESENSE® II DIFFERENTIAL PRESSURE TRANSMITTER

Monitors Pressure, Air Velocity & Air Flow, BACnet/Modbus® Communications

Field Upgradeable LCD. No need to order two separate transmitters. Simply stock a transmitter and display and you can satisfy any customer's requests. Simply remove cover and snap the LCD onto the board.

Large Integral LCD. Second generation Magnesense® has a larger LCD that includes the engineering units. Display also has 5 digits allowing measurements up to 99,999 to be displayed directly.

Remote Display Tool reduces instrument cost by eliminating need for each transmitter to have its own display. The buttons on the display tool also provide a means to zero and span the units without reaching into the transmitter.

Removable Terminal Block ease installation by allowing for the wiring to be done outside of the housing where the installer has more room.



Field Selectable Ranges in metric or English. Lowers stock and inventory requirements. You'll always have the right transmitter for every job.

Digital Push Button Zero and Span. Reduces calibration time significantly over other transmitters that utilize potentiometers. Lowers maintenance time and costs.

Field Selectable Air Velocity and Flow Modes for fan and blower applications. Unit provides square root output that accurately tracks fpm or m/s for velocity measurements. Now area can be programmed to directly display cfm or m³/hr for volumetric flow measurements. No need for a smart programmable indicator or PLC to convert pressure to air flow. Reduces components and installation time lowering overall costs.

Simultaneous Current/Voltage Output reduces inventory by combining 0 to 10 V, 0 to 5 V and 4 to 20 mA models into one model. Both outputs are always present allowing field selection of which signal to use and the other signal can be used for local diagnostic without interrupting system.

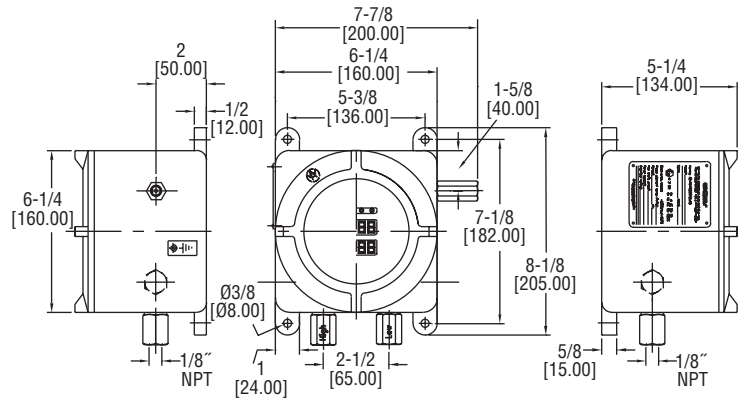


ATEX APPROVED MAGNESENSE® DIFFERENTIAL PRESSURE TRANSMITTER

Series MS in Flame-Proof ATEX Enclosure



Scan here to watch product video



The ATEX Approved **SERIES AT2MS** Magnesense® Differential Pressure Transmitter is an extremely versatile transmitter for monitoring pressure and air velocity in hazardous areas. This transmitter is loaded with features such as: field selectable English or metric ranges, field upgradeable LCD display, adjustable dampening of output signal and the ability to select a square root output for use with pitot tubes and other similar flow sensors. Along with these features, the magnetic sensing technology provides exceptional long term performance and enables the Magnesense® transmitter to be the solution for a myriad of pressure and flow applications. Flame-proof ATEX enclosures are available in aluminum and can include a glass window for viewing process on the LCD.

FEATURES/BENEFITS

- ATEX housing provides all the capabilities and value of the MS2 in a flame & explosion proof enclosure
- Durable and rugged housing and high-quality components combined provides long-service life and minimized down-time
- High impact strength and high temperature rated for applications where hazardous environments exist
- BACnet or Modbus serial communications reduce wiring cost by daisy-chaining the transmitters

APPLICATIONS

- Monitor pressures in ducts, rooms, or total building pressures
- Filter monitoring
- Local indication of clean room pressures with process signal sent to control room
- Hazardous area pressure measurement and transmitter

SPECIFICATIONS

Service: Air and non-combustible, compatible gases.
Wetted Materials: Consult factory.
Accuracy: MS-X21: 0.5 in w.c. & 0.25 in w.c.: ±1%; 0.1 in w.c.: ±2%; 100 Pa & 50 Pa: ±1%; 25 Pa: ±2%. MS-X11: 5 in w.c. & 2 in w.c.: ±1%; 1 in w.c.: ±2%; 1250 Pa & 500 Pa: ±1%; 250 Pa: ±2% (@ standard conditions).
Stability: ±1% FS/year.
Temperature Limits: 0 to 150°F (-18 to 66°C); Case: -76 to 140°F (-60 to 60°C) (Note: Product temperature limits differ from case).
Pressure Limits: 1 psi max., operation; 10 psi, burst.
Power Requirements: 10 to 35 VDC (2-wire); 17 to 36 VDC or isolated 21.6 to 33 VAC (3-wire).
Output Signals: 4 to 20 mA (2-wire); 0 to 5 V, 0 to 10 V (3-wire).
Response Time: Field adjustable 0.5 to 15 s time constant. Provides a 95% response time of 1.5 to 45 seconds.
Zero & Span Adjustments: Digital push button. In safe zone only.

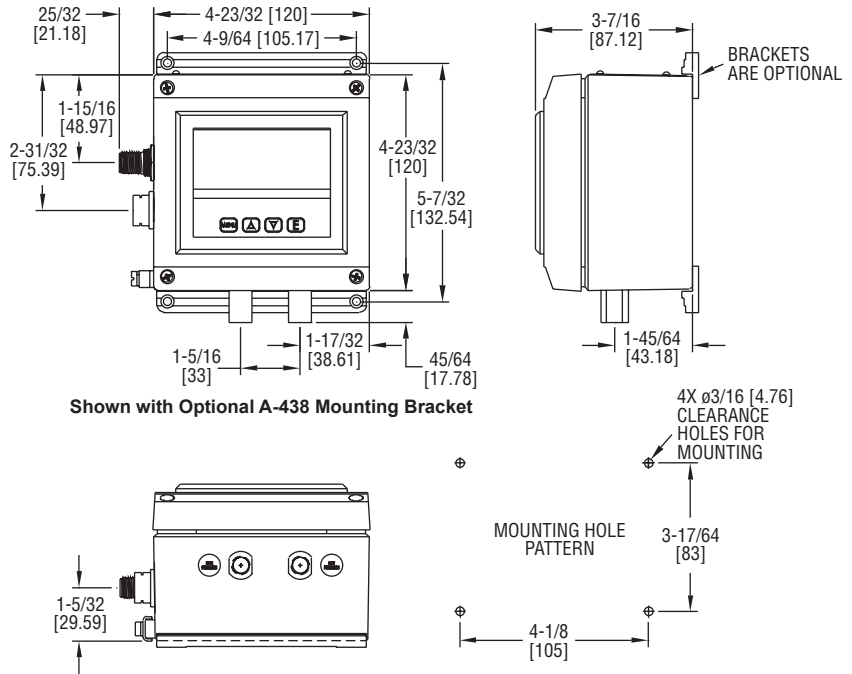
Loop Resistance: Current output: 0 to 1250 Ω max.; Voltage output: min. load resistance 1 k Ω.
Current Consumption: 40 mA max. Display: 4 digit LCD.
Electrical Wiring: 4 to 20 mA, 2-wire: European style terminal block for 16 to 26 AWG. 0 to 10 V, 3-wire: European style terminal block 16 to 22 AWG.
Mounting Orientation: Diaphragm in vertical position.
Enclosure Rating: 4X IP66, IP65 with option OPV overpressure relief valve.
Housing Material: Aluminum.
Finishing: Texture epoxy coat RAL7038.
Process Connections: 1/8" NPT female brass (SS optional). In presence of acetylene it is necessary to use SS.
Electrical Connections: Two 1/2" NPT female. Cable gland not included.
Weight: 11 lb (5 kg).
ATEX Approved Products from Comhas with ECN: BVI 14ATEX0072.
Agency Approvals: CE 1370 Ex d IIC Gb T6; -60°C ≤ Ta ≤ +60°C Ex tb IIIC Db T 85°C.

MODEL CHART											
Example	AT2MS	-0	-1	1	-LCD	-A	O	1	X	T2	AT2MS-0-11-LCD-AO1XT2
Series	ATEX approved Magnesense® differential pressure transmitter										
Output		0	1	2	3	6	7	8	9		Bidirectional, 4 to 20 mA Positive range, 4 to 20 mA Bidirectional, 0 to 10 VDC Positive range, 0 to 10 VDC Bidirectional, 0 to 5 VDC Positive range, 0 to 5 VDC Bidirectional, 0 to 5 VDC, 12 volt in Positive range, 0 to 5 VDC, 12 volt in
Range		1	2	3	4	5					1, 2, 5 in w.c. (200, 500, 1000 Pa) .1, .25, .5 in w.c. (25, 50, 100 Pa) 10 in w.c. (2 kPa) 15 in w.c. (3 kPa) 25 in w.c. (5 kPa)
Mounting			1								Wall
Display				LCD							With LCD
Housing					A						Aluminum
Cover						B	O				Blind Glass top cover
Process Connection								1	2		1/8" NPT female brass ports 1/8" NPT female SS ports
Overpressure Plug									X	OPV	Standard without overpressure relief valve Overpressure relief valve Material same as ports
Tag										T2	SS information label

*Add on applies to range -2 only.

INTRINSICALLY SAFE DIFFERENTIAL PRESSURE TRANSMITTER

For Hazardous Zone Pressure and Flow Applications



Shown with Optional A-438 Mounting Bracket

The **SERIES ISDP** Differential Pressure Transmitter provides a 4-20 mA process output, a robust NEMA 4X enclosure, plus a large LCD display that can be programmed to read in pressure, velocity or flow. The ISDP offers simplified programming via a Menu key that enables the user to select: security level; English or Metric engineering units; pressure, velocity or flow operation; K-factor for use with various Pitot tubes and flow sensors, circular or rectangular duct size for volumetric flow operation plus many more. The Series ISDP Differential Pressure Transmitter is powered on its two wire loop with 10-35 VDC via its integral M-12 four pin male connector. The ISDP provides a 0.5% full scale accuracy on ranges from 0.25 in w.c. to 100 in w.c. as well as bi-directional models up to 10 in w.c. These features make the Series ISDP Differential Pressure Transmitter the ideal instrument for monitoring pressures or air flows in hazardous zones having a Class I Div. I Groups A, B, C, D; Class II Div. I Groups E, F, G; Class III Div. I ratings.

FEATURES/BENEFITS

- NEMA 4X rated enclosure provides protection in harsh environments permitting outdoor monitoring or in areas where dust and particulate matter exists
- Easy to read LCD display provides immediate local alerts allowing corrective action to be taken quicker to eliminate the problem from becoming widespread
- Intrinsically safe for use in the specified hazardous locations meets specifications where pressure transmission and safety cannot be compromised
- Password protected set up menu helps to insure no errors by untrained personnel when accessing the powerful measurement capabilities of this device

APPLICATIONS

- Hazardous zone pressure control applications
- Hazardous flow and control applications

MODEL CHART			
Model	Range (in w.c.)	Model	Range (in w.c.)
ISDP-002	0 to 0.25	ISDP-012	0 to ±0.25
ISDP-004	0 to 1	ISDP-014	0 to ±1.0
ISDP-006	0 to 5	ISDP-015	0 to ±2.5
ISDP-007	0 to 10	ISDP-016	0 to ±5.0
ISDP-008	0 to 25	ISDP-017	0 to ±10
ISDP-009	0 to 50		
ISDP-010	0 to 100		

OPTIONS	
To order add suffix:	Description
-NIST	NIST traceable calibration certificate
Example: ISDP-004-NIST	
-FC	Factory calibration certificate
Example: ISDP-004-FC	

SPECIFICATIONS

Service: Air and non-corrosive gases.
Wetted Materials: Ranges 5 in w.c. and greater: glass, PVC, silicon, alumina ceramic, epoxy, RTV, gold, aluminum, stainless steel and nickel; Ranges 1 in w.c. and lower: stainless steel, silicone, gold and ceramic.
Housing Materials: Aluminum, glass.
Accuracy: ±0.5% at 77°F (25°C) including hysteresis and repeatability (after 1 hour warm-up).
Stability: < ±1% per year.
Pressure Limits: Ranges ≤ 2.5 in w.c. = 2 psi; 5 in w.c.: 5 psi; 10 in w.c.: 5 psi; 25 in w.c.: 5 psi; 50 in w.c.: 5 psi; 100 in w.c.: 9 psi.
Temperature Limits: 32 to 140°F (0 to 60°C).
Compensated Temperature Limits: 32 to 140°F (0 to 60°C).
Thermal Effects: 0.020%/°F (0.036/°C) from 77°F (25°C).
Power Requirements: 10-35 VDC.
Output Signal: 4 to 20 mA DC.
Zero & Span Adjustments: Accessible via menus.
Response Time: 250 ms (damping set to 1).
Display: 4 digit LCD 0.6" H.
Electrical Connections: M-12 4 PIN Connector.
Process Connections: 1/8" female NPT.
Enclosure Rating: Designed to meet NEMA 4X (IP66).
Mounting Orientation: Mount unit in vertical plane.
Weight: 2 lb 10 oz (1.19 kg).
Agency Approvals: CE: CENELEC EN 61326/55024: 2003; IEC 61000-4-2/3/4/6: 2001/2006/2004/2005; CENELEC EN 55011: 2006; 2004/108/EC EMC Directive. FM Intrinsically Safe CL I Div I GR: A, B, C, D; CL II Div I GR: E, F, G; CL III Div I.

ACCESSORIES	
Model	Description
A-231	16' (5 m) shielded cable with 4 pin female M-12 connection
A-486	4.9' (1 m) shielded cable with 4 pin female M-12 connection
A-487	9.8' (3 m) shielded cable with 4 pin female M-12 connection
A-488	33' (10 m) shielded cable with 4 pin female M-12 connection
A-295	Female 4 pin M-12 to cable gland connector
MTL5041	Intrinsically safe galvanic isolator
MTL7706	Intrinsically safe zener barrier
A-438	Surface mounting brackets

Process Tubing Options: See page 443 (Gage Tubing Accessories)

EXPLOSION-PROOF DIFFERENTIAL PRESSURE TRANSMITTER

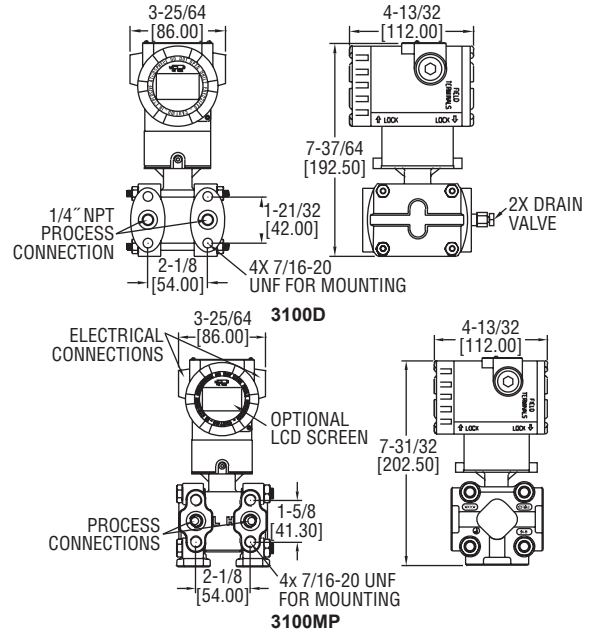
HART®, Push Button Configuration, Rangeability (100:1)



3100D



3100MP



Scan here to watch product video

Mercoid® **SERIES 3100** Smart Pressure Transmitter is a microprocessor-based high performance transmitter, which has flexible pressure calibration, push button configuration, and programmable using HART® Communication. The Series 3100 is capable of being configured for differential pressure or level applications with the zero and span buttons. A field calibrator is not required for configuration. The transmitter software compensates for thermal effects, improving performance. EEPROM stores configuration settings and stores sensor correction coefficients in the event of shutdowns or power loss.

The Series 3100 is FM or ATEX approved for use in hazardous (classified) locations. The 100:1 rangeability allows the smart transmitter to be configured to fit any application.

FEATURES/BENEFITS

- Configurable using zero/span buttons means no calibrator required reducing time to install and running.
- Range-ability and selectable engineering units, allows transmitter to fit many applications reducing the number of different transmitters to meet specifications.
- High accuracy ($\pm 0.075\%$) provides exceptional measurement for insuring tight-control and minimizing costly out of specification conditions.
- Automatic sensor temperature compensation improves performance of device for accurate measurement under different operating environments.
- Fail-mode process function stores configuration settings in the event of shutdown or power-loss provides for faster restart to getting application back on-line.
- A HART® Communication programmable device provides a reliable, long-term solution for plant operators who seek the benefits of intelligent devices with digital communication.

APPLICATIONS

- Flow measurement
- Level monitoring
- Filter or pump differential pressure
- Critical process monitoring

MODEL CHART	Model	Calibrated Span (Min. to Max.)	Lower Range Limit	Upper Range Limit	LCD Display	
3100D-2-FM-1-1	0.6 to 30 in w.c.	0.15 to 7.5 kPa	-30 in w.c.	-7.5 kPa	30 in w.c. 7.5 kPa	No
3100D-3-FM-1-1	1.5 to 150 in w.c.	0.373 to 37.3 kPa	-150 in w.c.	-37.3 kPa	150 in w.c. 37.3 kPa	No
3100D-4-FM-1-1	7.5 to 750 in w.c.	1.865 to 186.5 kPa	-750 in w.c.	-186.5 kPa	750 in w.c. 186.5 kPa	No
3100D-5-FM-1-1	1 to 100 psi	6.9 to 690 kPa	-100 psi	-690 kPa	100 psi 690 kPa	No
3100D-6-FM-1-1	3 to 300 psi	20.68 to 2068 kPa	-300 psi	-2068 kPa	300 psi 2068 kPa	No
3100D-2-FM-1-1-LCD	0.6 to 30 in w.c.	0.15 to 7.5 kPa	-30 in w.c.	-7.5 kPa	30 in w.c. 7.5 kPa	Yes
3100D-3-FM-1-1-LCD	1.5 to 150 in w.c.	0.373 to 37.3 kPa	-150 in w.c.	-37.3 kPa	150 in w.c. 37.3 kPa	Yes
3100D-4-FM-1-1-LCD	7.5 to 750 in w.c.	1.865 to 186.5 kPa	-750 in w.c.	-186.5 kPa	750 in w.c. 186.5 kPa	Yes
3100D-5-FM-1-1-LCD	1 to 100 psi	6.9 to 690 kPa	-100 psi	-690 kPa	100 psi 690 kPa	Yes
3100D-6-FM-1-1-LCD	3 to 300 psi	20.68 to 2068 kPa	-300 psi	-2068 kPa	300 psi 2068 kPa	Yes

Note: Consult factory for custom calibration.

MODEL CHART	Model	Calibrated Span (Min. to Max.)	Lower Range Limit	Upper Range Limit	LCD Display	
3100MP-2-FM-1-1	0.6 to 30 in w.c.	0.15 to 7.5 kPa	-30 in w.c.	-7.5 kPa	30 in w.c. 7.5 kPa	No
3100MP-3-FM-1-1	1.5 to 150 in w.c.	0.373 to 37.3 kPa	-150 in w.c.	-37.3 kPa	150 in w.c. 37.3 kPa	No
3100MP-4-FM-1-1	7.5 to 750 in w.c.	1.865 to 186.5 kPa	-750 in w.c.	-186.5 kPa	750 in w.c. 186.5 kPa	No
3100MP-5-FM-1-1	1 to 100 psi	6.9 to 690 kPa	-100 psi	-690 kPa	100 psi 690 kPa	No
3100MP-6-FM-1-1	3 to 300 psi	20.68 to 2068 kPa	-300 psi	-2068 kPa	300 psi 2068 kPa	No
3100MP-2-FM-1-1-LCD	0.6 to 30 in w.c.	0.15 to 7.5 kPa	-30 in w.c.	-7.5 kPa	30 in w.c. 7.5 kPa	Yes
3100MP-3-FM-1-1-LCD	1.5 to 150 in w.c.	0.373 to 37.3 kPa	-150 in w.c.	-37.3 kPa	150 in w.c. 37.3 kPa	Yes
3100MP-4-FM-1-1-LCD	7.5 to 750 in w.c.	1.865 to 186.5 kPa	-750 in w.c.	-186.5 kPa	750 in w.c. 186.5 kPa	Yes
3100MP-5-FM-1-1-LCD	1 to 100 psi	6.9 to 690 kPa	-100 psi	-690 kPa	100 psi 690 kPa	Yes
3100MP-6-FM-1-1-LCD	3 to 300 psi	20.68 to 2068 kPa	-300 psi	-2068 kPa	300 psi 2068 kPa	Yes

Note: Consult factory for custom calibration.

SPECIFICATIONS

- Service:** Compatible gases, steam, liquids or vapors.
- Wetted Materials:** 316L SS.
- Accuracy:** $\pm 0.075\%$ FS (@ 20°C).
- Rangeability:** 100:1 turn down.
- Stability:** $\pm 0.125\%$ FSO/yr.
- Temperature Limits:** Process: -40 to 248°F (-40 to 120°C); Ambient: Without LCD: -40 to 185°F (-40 to 85°C); With LCD: -22 to 176°F (-30 to 80°C).
- Pressure Limits:** Max pressure: Range: -14.5 to 2000 psi; Burst pressure: 10000 psi.
- Thermal Effect:** $\pm 0.125\%$ span/32°C.
- Power Requirements:** 11.9 to 45 VDC.
- Output Signal:** 4 to 20 mA / HART® Communication.
- Response Time:** 0.12 seconds.
- Damping Time:** 0.25 to 60 seconds.
- Loop Resistance:** Operation: 0 to 1500 Ω ; HART® Communication: 250 to 500 Ω .
- Electrical Connection:** Two 1/2" female NPT conduit, screw terminal.
- Process Connection:** 1/4" female NPT.
- Display:** Optional 5 digit LCD.
- Enclosure Rating:** NEMA 4X (IP66) and explosion-proof for Class I, Div I, Groups A, B, C and D.
- Weight:** 8.6 lb (3.9 kg).
- Agency Approvals:** CE, FM, ATEX option available (consult factory).

EXPLOSION-PROOF DIFFERENTIAL PRESSURE TRANSMITTER

HART®, Push Button Configuration, Rangeability (100:1)

MODEL CHART															
Example	3100D	-2	-FM	-3	-1	-LEC	S2	A1	05	S	2	-05	-10	-LCD	3100D-2-FM-3-1-LECS2A105S2-05-10-LCD
Series	3100D 3100MP														Explosion-Proof Differential Pressure Transmitter Multiplanar Explosion-Proof Differential Pressure Transmitter
Range		1 2 3 4 5 6 7													0 to 6 in w.c. 0 to 30 in w.c. 0 to 150 in w.c. 0 to 750 in w.c. 0 to 100 psi 0 to 300 psi 0 to 1000 psi
Approval			FM ATEX WP												FM approved ATEX approved Weatherproof only (only available with 316 SS housing)
Process Connection					1 3										1/4" female NPT Diaphragm seal
Electrical Connection					1										1/2" female NPT
Diaphragm Seal Type						LEC LED LEH LEL LFC LFD LFH LFL									2 extended diaphragm seals capillary type 1 extended diaphragm seal direct mount high side 1 extended diaphragm seal capillary type high side 1 extended diaphragm seal capillary type low side 2 flush diaphragm seals capillary type 1 flush diaphragm seal direct mount high side 1 flush diaphragm seal capillary type high side 1 flush diaphragm seal capillary type low side
Mounting Flange							S2 S3								2" (50 mm) 316L SS 3" (80 mm) 316L SS
Mounting Flange Rating								A1 A2 D1 D2 J1 J2							ANSI class 150# ANSI class 300# DIN PN 10/16 DIN PN 25/40 JIS 10 K JIS 20 K
Extension Length									00 05 10 15						No extension [standard for flush mount] 2" extension 4" extension 6" extension
Diaphragm Material										S P H T					316L SS diaphragm PTFE and 316L SS diaphragm Hastelloy C-276 diaphragm Tantalum diaphragm
Fill Fluid											2				Silicon oil (-40 to 400°F)
Capillary Length High Side												XX			0 to 20 feet
Capillary Length Low Side													XX		0 to 20 feet
Options														LCD SSH NIST CC	5 digit LCD 316 SS housing (Only available with WP approval) NIST calibration Custom calibration

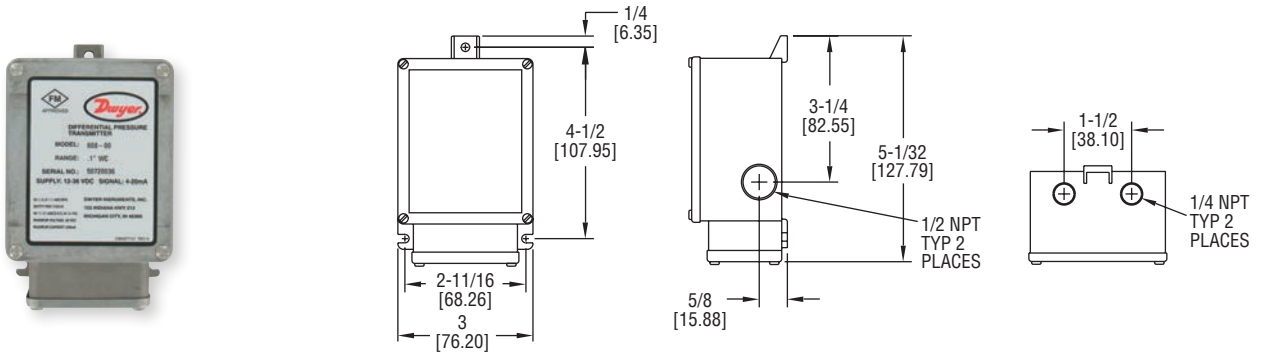
CUSTOM CALIBRATION VALUES	
Primary Units	in w.c., ft in w.c., mm in w.c., in Hg, psig, g/cm ² , kg/cm ² , MPa, Pa, kPa, bar, mbar, Torr, Atm, mm Hg
Upper Range Limit	20 mA value
Lower Range Limit	4 mA value
Output	Linear or square root
Damping Time	0 to 60 seconds
Display Mode	Unit, %, mA, rotate
Display Units	Primary unit or Engineering unit
Engineering Units*	Volumetric Flow Units US gal/s, US gpm, US gal/hr, US gpd, imp gal/s, imp gpm, imp gal/hr, imp gpd, l/s, l/min, l/hour, ft/s, m/s, metric gal/day, metric l/day, ft ³ /s, ft ³ /min, ft ³ /h, ft ³ /day, m ³ /s, m ³ /min, m ³ /hr, m ³ /day, normal l/hr, normal m ³ /hr, standard ft ³ /min, barrels/s, barrels/min, barrels/day Mass Flow Units g/s, g/min, g/hr, kg/s, kg/min, kg/hr, kg/day, metric ton/min, metric ton/hour, metric ton/day, lb/s, lb/min, lb/hr, lb/day, short ton/min, short ton/hr, short ton/day, long ton/hr, long ton/day Volume Units gallons, liters, imp gallons, m ³ , barrels, bushels, yd ³ , ft ³ , in ³ , bbl liq, normal cubic meter, normal liter, standard cubic feet, hectoliters
Engr. Upper Range Limit*	Engr. upper value
Engr. Lower Range Limit*	Engr. lower value
Engr Function*	Linear or square root

*Engineering Units, Engr. Upper Range Limit, Engr. Lower Range Limit and Engr. Function values are only required if engineering unit is selected.

ACCESSORIES	
Model	Description
A-630	Stainless steel angle type bracket with SS bolts
A-631	Stainless steel flat type bracket with SS bolts
BBV-1F	Flanged 3-valve block manifold
BBV-22F	Flanged 5-valve block manifold
DevCom2000	HART® Communication Protocol Software

INTRINSICALLY SAFE DIFFERENTIAL PRESSURE TRANSMITTER

Ranges Down to 0.1 in w.c., FM Approved, NEMA 4X



The Dwyer **SERIES 608** Differential Pressure Transmitters convert positive, negative (vacuum), or differential pressures of clean, dry air or other non-conductive, non-corrosive gases into a standard two wire, 4-20 mA output signal. The use of an ultra-thin silicon diaphragm enables precision measurement of differential pressures as low as 0.1 in w.c. while withstanding high static working pressures up to 100 psig (6.89 bar). The Series 608 transmitters are FM approved intrinsically safe for use in the specified hazardous locations when used with an approved intrinsic safety barrier. The rugged NEMA 4X, stainless steel housing makes this transmitter ideal for use in industrial and process plant environments.

FEATURES/BENEFITS

- High accuracy at low pressure ranges provides exceptional measurement for insuring tight-control and minimizing costly out of specification conditions
- Intrinsically safe for use in the specified hazardous locations meets specifications where pressure transmission and safety cannot be compromised
- NEMA 4X rated enclosure provides protection in harsh environments permitting outdoor monitoring or in areas where dust and particulate matter exists

APPLICATIONS

- Lab fume hood control
- Clean room applications
- Flow measurements and control
- Filter monitoring
- Furnace draft measurement
- Process control

SPECIFICATIONS

Service: Clean/dry air and compatible, combustible gases. (see Agency Approvals for FM ratings).
Wetted Materials: Consult factory.
Accuracy: ±0.5% or ±0.25% full scale.
Stability: ±0.5% FS/year.
Pressure Limits: 100 psig (6.89 bar); 15 psid (1.03 bar).
Temperature Limits: -20 to 185°F (-28 to 85°C).
Compensated Temperature Range: 0 to 160°F (-18 to 71°C).
Thermal Effect: 0.5% Accuracy: ±0.02% FS/°F; 0.25% Accuracy: ±0.01% FS/°F.
Power Requirements: 12 to 36 VDC (2-wire).
Output Signal: 4 to 20 mA DC.
Zero and Span Adjustments: Potentiometers for zero and span.
Response Time: 250 ms.
Loop Resistance: DC: 0 to 1045 Ω max.
Current Consumption: 4 to 20 mA.
Electrical Connections: Screw terminal: Two 1/2" female NPT conduit.
Process Connections: Two 1/4" female NPT.
Enclosure Rating: NEMA 4X (IP66).
Weight: 2 lb (0.9 kg).
Agency Approvals: FM approved intrinsically safe for use in Class I, Div. 1, Groups A, B, C, D; Class II, Div. 1, Groups E, F, G; Class III, Div. 1 when wired with approved intrinsically safe barrier. Entity parameters: V_{max}= 36 VDC; I_{max}= 250 mA; C_i=12 nF; L_i=0 mH.

MODEL CHART	
Model	Range (in w.c.)
608-02	0 to 0.5
608-03	0 to 1.0
608-04	0 to 2.0
608-05	0 to 5.0
608-06	0 to 10.0
608-07	0 to 25.0
608-01B	0 to ±0.25
608-13B*	0 to ±1.0
608-04B	0 to ±2.0

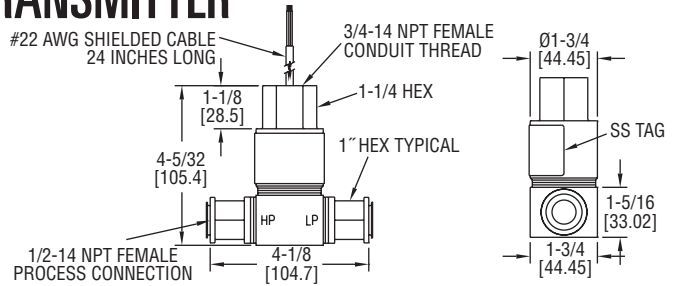
*Models have a ±0.25% FS accuracy.

OPTION	
Use order code:	Description
NISTCAL-PT1	NIST traceable calibration certificate

ACCESSORIES	
Model	Description
MTL5041	Intrinsically safe galvanic isolator
MTL7706	Intrinsically safe zener barrier

FIXED RANGE DIFFERENTIAL PRESSURE TRANSMITTER

Explosion-Proof, 0.5% Accuracy



SERIES 636D Differential Pressure Transmitter can be used for measuring pressures of liquids, gases & vapors. All available ranges have an excellent 0.5% FS accuracy with a 4-20 mA Output standard or optional 1-5 VDC output. The NEMA 4 housing is an all 316 welded construction that is designed to withstand the harshest environmental conditions. With all 316L wetted materials, this transmitter is compatible with most media. These units are CSA approved explosion-proof for use in the specified hazardous locations and meet NACE standards for off-shore applications.

FEATURES/BENEFITS

- NEMA 4X rated enclosure provides protection in harsh environments permitting outdoor monitoring or in areas where dust and particulate matter exists
- Explosion-proof device for use in hazardous areas
- Versatile, high-accuracy device for liquid or gas supports designs requiring more precise measurements in support of application

APPLICATIONS

- Pump differential pressure
- Critical process monitoring
- Off shore applications

MODEL CHART

Model 4-20 mA Out	Range	Model 1-5 VDC Out	Range
636D-0	0 to 6 psid	636D-0-LP	0 to 6 psid
636D-1	0 to 15 psid	636D-1-LP	0 to 15 psid
636D-2	0 to 30 psid	636D-2-LP	0 to 30 psid
636D-3	0 to 60 psid	636D-3-LP	0 to 60 psid
636D-4	0 to 100 psid	636D-4-LP	0 to 100 psid
636D-5	0 to 150 psid	636D-5-LP	0 to 150 psid
636D-6	0 to 200 psid	636D-6-LP	0 to 200 psid
636D-7	0 to 300 psid	636D-7-LP	0 to 300 psid
636D-8	0 to 500 psid	636D-8-LP	0 to 500 psid

SPECIFICATIONS

Service: Compatible gases, liquids, or vapors.
Wetted Materials: Types 316L SS.
Accuracy: BFSL: ±0.5% FS (includes linearity, hysteresis, and repeatability).
Stability: ±1.0 FS/yr.
Pressure Limits: 3 x full-scale differential pressure; Burst: 2500 psig.
Temperature Limits: Ambient operating: -40 to 140°F (-40 to 60°C); Process interface: -40 to 212°F (-40 to 100°C); Storage: -40 to 212°F (-40 to 100°C).
Compensated Temperature Range: -20 to 160°F (-29 to 71°C).
Thermal Effect: ±2% FS/50°F (reference to 77°F).
Power Requirements: 12 to 30 VDC for 4 to 20 mA outputs; 8 to 14 VDC for 1 to 5 VDC outputs, both with reverse polarity protection.
Output Signal: 4 to 20 mA DC or 1 to 5 VDC.

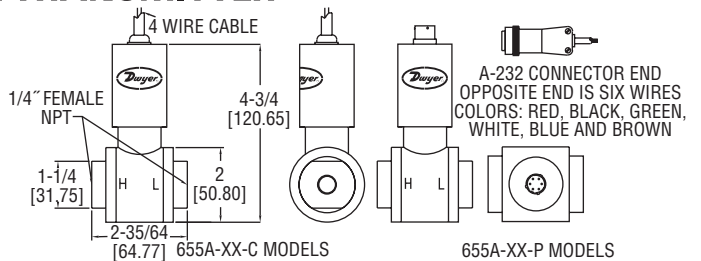
Zero and Span Adjustment: Fixed.
Response Time: 20 ms.
Loop Resistance: 900 Ω max @ 30 VDC for current outputs. For voltage outputs, minimum lead resistance 50k ohms.
Current Consumption: 4 to 20 mA for current output models; 3 mA for voltage output models.
Electrical Connections: 2 ft, 22 AWG cable; 3/4" female NPT conduit.
Process Connections: Two 1/2" female NPT.
Enclosure Rating: NEMA 4 (IP56).
Mounting Orientation: ±0.05 psi/90° rotation from horizontal.
Weight: 1.8 lb (0.82 kg).
Agency Approvals: CSA approved explosion-proof for Class I, Division 1, Groups B, C, and D; Class II, Groups E, F, and G; Class III.

OPTION

Use order code:	Description
NISTCAL-PT1	NIST traceable calibration certificate

316 WET/WET DIFFERENTIAL PRESSURE TRANSMITTER

Ranges Down to 3 in w.c., 6-Point N.I.S.T. Certificate Included



SERIES 655A Differential Pressure Transmitters are designed for high static/low DP applications designed especially for the End Users and OEM's where extreme overpressure and high performance of 0.25% accuracy and stability are required at ranges down to 3 in w.c. Each unit includes a 6-point NIST certificate of calibration which demonstrates the unit's high level of performance.

FEATURES/BENEFITS

- Extreme overpressure and stability at low ranges provides durable device for OEM and end-user applications
- High-accuracy device for low differential pressure designs requiring more precise measurements in support of application
- NIST certificate available to demonstrate high-level of performance

APPLICATIONS

- Pump differential pressure
- Critical process monitoring
- High accuracy/low differential pressure OEM applications

MODEL CHART

Model	Range	Model	Range
655A-00-C	0 to 3 in w.c.	655A-00-P	0 to 3 in w.c.
655A-01-C	0 to 5 in w.c.	655A-01-P	0 to 5 in w.c.
655A-02-C	0 to 8 in w.c.	655A-02-P	0 to 8 in w.c.
655A-03-C	0 to 10 in w.c.	655A-03-P	0 to 10 in w.c.
655A-04-C	0 to 15 in w.c.	655A-04-P	0 to 15 in w.c.
655A-05-C	0 to 20 in w.c.	655A-05-P	0 to 20 in w.c.
655A-06-C	0 to 1 psid	655A-06-P	0 to 1 psid
655A-07-C	0 to 2 psid	655A-07-P	0 to 2 psid

Note: Change 'C' to 'P' for optional 6 pin male connection.

SPECIFICATIONS

Service: Compatible gases or liquids.
Wetted Materials: 316L SS.
Accuracy: ±0.25% BFSL, RSS (combined effect of non-linearity, hysteresis, and repeatability).
Stability: ≤ ±0.25% FSO/yr.
Temperature Limits: -20 to 200°F (-29 to 93°C).
Compensated Temperature Limits: 0 to 170°F (-17.8 to 76.7°C).
Pressure Limits: 1000 psi (68.95 bar) continuous; 3000 psi (206.8 bar) burst.
Thermal Effects: ≤ ±1.5% FS oven comp. temperature range.
Power Requirements: 8 to 38 VDC.
Output Signal: 4 to 20 mA.

Static Pressure Effects: On zero: ≤ ±0.25% FSO per 1000 psi; on span: ≤ ±0.5% of reading per 1000 psi.
Response Time: < 10 ms.
Loop Resistance: 1500 Ω.
Electrical Connections: Cable exit with 24" cable; optional 6-pin connector.
Process Connections: 1/4" NPT female.
Enclosure Rating: Designed to meet NEMA 4X (IP66).
Mounting Orientation: Mount in vertical position; zero shifts up to ±1 in w.c. depending on orientation.
Weight: 18 oz (510 g).
Agency Approvals: CE.

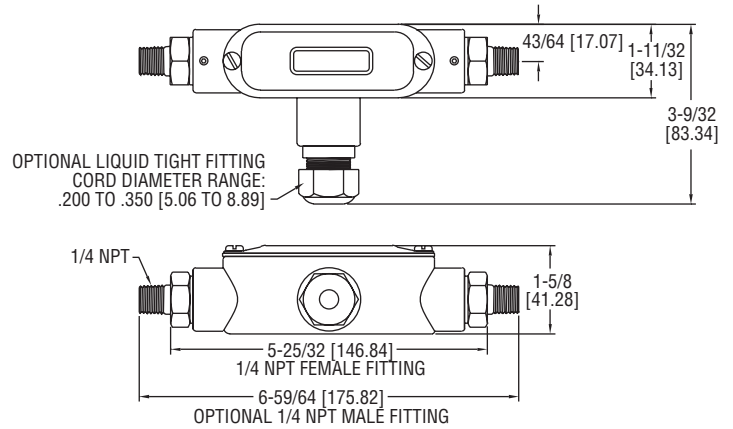
ACCESSORY

Model	Description
A-232	Connection with cable (3'); for 6 pin connection models



WET/WET DIFFERENTIAL PRESSURE TRANSMITTER

0.5% Accuracy, NEMA 4X (IP66) Enclosure



The **SERIES 629** Differential Pressure Transmitter monitors differential pressure of air and compatible gases and liquids with 0.5% accuracy. The design employs dual pressure sensors converting pressure changes into a standard 4 to 20 mA output signal for two wire circuits. Small internal volume and minimum moving parts result in exceptional response and reliability. Terminal block, zero and span adjustments are easily accessed under the top cover. The Series 629 Differential Pressure Transmitter is designed to meet NEMA 4X (IP66) construction.

FEATURES/BENEFITS

- Versatile, high-accuracy device for liquid or gas supports designs requiring more precise measurements in support of application
- Minimum components provide excellent response and reliability
- Span and zero controls reduce installation and service time
- Terminal block reduces wiring difficulties saving installation time
- Optional LED indicator provides local status to identify operational conditions.
- Optional 3-way valve manifold supports higher line pressures or simplifying removal of transmitter without interrupting process

APPLICATIONS

- Flow elements
- Heat exchangers
- Filters
- Coils
- Chiller
- Pumps

MODEL CHART - Standard			
Model	Range	Pressure Limits	
		Working* Pressure	Over Pressure
629-02-CH-P2-E5-S1	10 psid	20 psi	100 psi
629-03-CH-P2-E5-S1	25 psid	50 psi	250 psi
629-04-CH-P2-E5-S1	50 psid	100 psi	250 psi
629-05-CH-P2-E5-S1	100 psid	200 psi	500 psi

*Pressures exceeding the working pressure limit may cause a calibration shift of up to ±3% of full scale.

MODEL CHART - 3-Way Valve Manifold Assembly			
Model	Range	Pressure Limits	
		Working* Pressure	Over Pressure
629-02-CH-P2-E5-S1-3V	10 psid	20 psi	100 psi
629-03-CH-P2-E5-S1-3V	25 psid	50 psi	100 psi
629-04-CH-P2-E5-S1-3V	50 psid	100 psi	100 psi
629-05-CH-P2-E5-S1-3V	100 psid	100 psi	100 psi

*Pressures exceeding the working pressure limit may cause a calibration shift of up to ±3% of full scale.

OPTIONS	
To order add suffix:	Description
-LED	4.5 digit LED display
-NIST	NIST traceable calibration certificate

ACCESSORIES	
Model	Description
A-131A	3-way brass manifold valve
641-LED	Field-upgradeable LED
A-155	Cable gland with 1/2" NPT male
BBV-1B	Mini SS 3-valve block manifold
A-228	12" SS flex hose

SPECIFICATIONS

Service: Compatible gases & liquids.
Wetted Materials: Without valve: 316, 316L SS. Additional wetted parts with 3-way valve option: Buna-N, silicone grease, PTFE, brass 360, copper, reinforced acetal copolymer.
Accuracy: ±0.5% FS (includes linearity, hysteresis & repeatability).
Temperature Limits: 0 to 200°F (-18 to 93°C).
Compensated Temperature Limits: 0 to 175°F (-18 to 79°C).
Pressure Limits: See chart.
Thermal Effect: 0.02%/°F (0.036%/°C) includes zero & span.
Power Requirements: 13 to 30 VDC (2-wire).
Output Signal: 4 to 20 mA. Optional 0 to 5, 0 to 10 VDC.
Response Time: 50 ms.
Loop Resistance: 0 to 1300 Ω maximum for current output. For voltage outputs, minimum load resistance: 2000 Ω.
Electrical Connections: Terminal block; 1/2" female NPT conduit.
Process Connections: 1/4" female NPT.
Enclosure Rating: Designed to meet NEMA 4X (IP66).
Mounting Orientation: Not position sensitive.
Weight: 10.1 oz (286 g).
Agency Approvals: CE.



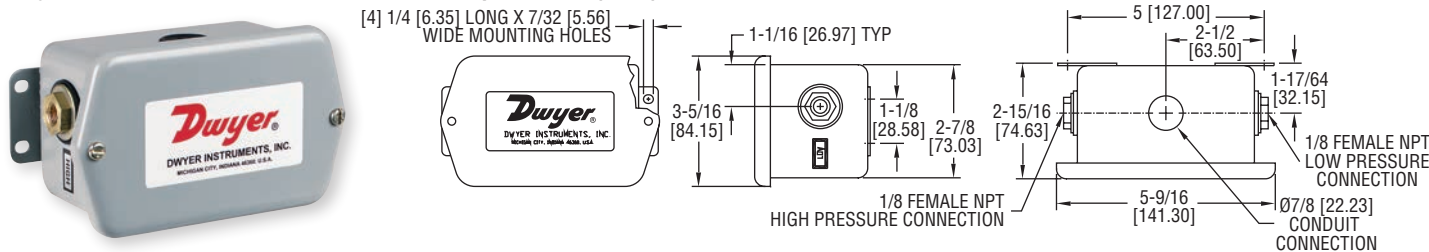
3-way valve assembly with integral bleed screws



629 shown with optional red LED and cable gland

WET/WET DIFFERENTIAL PRESSURE TRANSMITTER

Ranges from 0 to 25 in w.c., ±1.0% Accuracy, NEMA 4 (IP56) Enclosure, 2-Wire



Monitor differential pressure in air/liquid flow systems, HVAC automation, pneumatic systems and process control with the **SERIES 647** Wet/Wet Differential Pressure Transmitter. Units are temperature compensated and provide a 4 to 20 mA output signal which can be interfaced with chart recorders, data loggers and computerized monitoring and control systems.

FEATURES/BENEFITS

- Versatile for liquid or gas supports designs requiring more precise measurements in support of application
- Temperature compensated improves performance of device for accurate measurement under different operating environments.
- Output signal provides capability to interface with automation systems to centralize monitoring

APPLICATIONS

- Flow
- Process control
- HVAC automation
- Pneumatic systems

MODEL CHART			
Model	Range	Model	Range
647-0	0 to 1 in w.c.	647-3	0 to 5 in w.c.
647-1	0 to 3 in w.c.	647-4	0 to 10 in w.c.
647-2	0 to 25 in w.c.		

SPECIFICATIONS

Service: Compatible gases or liquids on both pressure and reference sides.
Wetted Materials: Brass, vinyl, glass-filled polyester, silicon, and fluorosilicone.
Accuracy: ±1.0% FS.
Stability: ±1.5% FS output/year.
Temperature Limits: 32 to 122°F (0 to 50°C).
Pressure Limits: Ranges 1 in w.c. to 5 psi: 20 psi, 15 psi range: 45 psi, 30 psi range: 60 psi.
Thermal Effects: Zero: ±0.05% FS/°F, Span: ±0.05% rdg/°F.

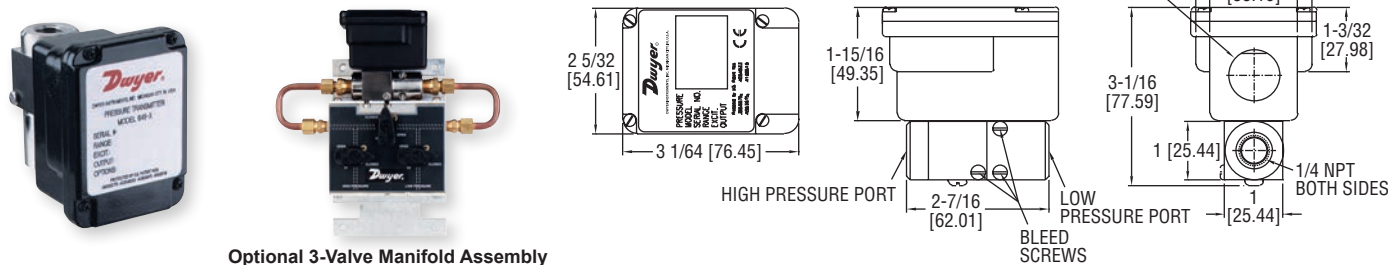
Power Requirements: 18 to 30 VDC.
Output Signal: 4 to 20 mA, 2-wire.
Zero and Span Adjustments: Adjustable, ±10%.
Loop Resistance: 400Ω @ 18 VDC, 600Ω @ 24 VDC, 1000Ω @ 30 VDC.
Electrical Connection: Screw terminals, reverse polarity protected.
Process Connections: Two 1/8" female NPT.
Housing: Gasketed steel epoxy painted, NEMA 4 (IP56).
Weight: 14 oz (397 g).

OPTION

Use order code:	Description
NISTCAL-PT1	NIST traceable calibration certificate

WET/WET DIFFERENTIAL PRESSURE TRANSMITTER

±0.25% Accuracy, Quick Response, 2-Wire Design



Optional 3-Valve Manifold Assembly

SERIES 645 Wet/Wet Differential Pressure Transmitters are designed for use with compatible gases and liquids which can be applied to both the pressure and reference ports. Quick response capacitance sensor delivers a 4 to 20 mA output signal proportional to differential pressure with ±.25% accuracy. The Series 645 transmitters are ideal for process control, filter condition monitoring, refrigeration equipment, pump speed control, HVAC equipment, and liquid level measurement. For ease of installation and maintenance, order optional 3-valve manifold assembly. Bleed ports allow for total elimination of air in the line and pressure cavities.

FEATURES/BENEFITS

- Versatile, high-accuracy device for liquid or gas supports designs requiring more precise measurements in support of application
- Optional 3-way valve manifold supports simplifying installation or removal of transmitter without interrupting process

APPLICATIONS

- Process control
- Refrigeration equipment
- HVAC equipment
- Filter monitoring
- Pump speed control
- Liquid level measurement

MODEL CHART			
Model	Range	Model	Range
645-0	0 to 1 psid	645-4	0 to 25 psid
645-1	0 to 2 psid	645-5	0 to 50 psid
645-2	0 to 5 psid	645-6	0 to 100 psid
645-3	0 to 10 psid		

Note: For optional 3-valve manifold assembly, add -3V to end of model number.

SPECIFICATIONS

Service: Compatible gases or liquids on both pressure and reference sides.
Wetted Materials: 17-4 PH stainless steel, 300 Series stainless steel, fluoroelastomer and silicone O-rings and bleed screw seals.
Accuracy: ±0.25% FS (RSS).
Temperature Limits: Operating: 0 to 175°F (-22 to 80°C); Storage: -65 to 260°F (-54 to 126°C).
Pressure Limits: (High side) 1 to 5 psi: 20 x FS, 10 to 25 psi: 10 x FS, 50 psi: 5 x FS, 100 psi: 2.5 x FS; (low side) 2.5 x FS.
Thermal Effects: (includes zero and span) ±0.02% FS/°F, 30 to 150°F (-1 to 65°C).
Power Requirements: 11 to 30 VDC.
Output Signal: 4 to 20 mA, 2-wire.

Zero and Span Adjustments: Adjustable, ±1 mA, non-interactive.
Response Time: 30 to 50 ms.
Loop Resistance: 0 to 1000Ω.
Electrical Connection: Barrier strip terminal block with conduit enclosure and .875" (22 mm) diameter conduit opening.
Process Connection: 1/4"-18 female NPT.
Housing: Stainless steel/aluminum, NEMA 4X (IP56).
Weight: 14.4 oz (0.4 kg).
Agency Approvals: CE.

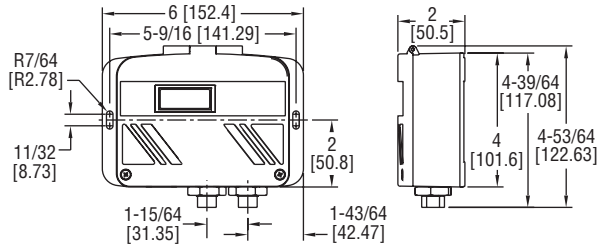
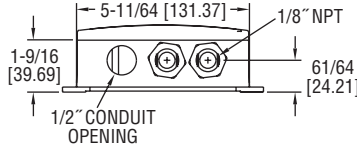
3-Valve Manifold Assembly
Manifold: Brass.
Valve Type: 90° on/off.
Process Connection: 1/4"-18 female NPT.

OPTION

Use order code:	Description
NISTCAL-PT1	NIST traceable calibration certificate

DIFFERENTIAL PRESSURE TRANSMITTER

Selectable Ranges of Uni-Directional or Bi-Directional, Selectable Outputs



The **SERIES WWDP** Wet-to-Wet Differential Pressure Transmitter offers everything in one package by having 30 field selectable variations in just 3 models. The WWDP provides field selectable unidirectional and bidirectional pressure ranges, configurable 0-5, 1-5, 0-10 VDC, and 4 to 20 mA output. It also provides an auto-zero capability. The field selectable port swap feature eliminates costly re-plumbing if the unit is improperly installed or if the transmitter is simply replaced. An optional LCD display is available for on-sight indication of line and differential pressure. The all cast aluminum housing is rated NEMA 4 (IP66). These features make the WWDP transmitter an ideal instrument for measuring the flow of various liquids and gases, pressure drop across filters, measurement of liquid level or pressurized vessels, and for use in energy management and process control systems.

FEATURES/BENEFITS

- Versatile device for liquid or gas supports designs requiring more precise measurements in support of application
- Field selectable port swap eliminates costly re-plumbing if unit is re-installed or replaced
- Uni-directional and bi-directional pressure selection with configurable output provides a single device that can meet broad application needs without having to specify multiple devices
- Optional LCD display provides local status to identify operational conditions
- NEMA 4 rated enclosure provides protection in harsh environments permitting outdoor monitoring or in areas where dust and particulate matter exists

APPLICATIONS

- Chiller monitoring
- Filter monitoring
- Liquid level
- Pressure vessels
- Process control
- Energy management

OPTION	
Use order code:	Description
NISTCAL-PT1	NIST traceable calibration certificate

SPECIFICATIONS

Service: Gases or liquids compatible with 17-4 PH stainless steel.
Accuracy: All pressure ranges have $\pm 1\%$ full-scale accuracy except the lowest selectable range of each unit is $\pm 2\%$ full-scale.
Stability: $\pm 0.5\%$ per year.
Temperature Limits: Compensated temperature range: 32 to 130°F (0 to 54°C); Operating temperature range: -4 to 185°F (-20 to 85°C).
Pressure Limits: Max working pressure: WWDP-1: 50 psi; WWDP-2: 100 psi; WWDP-3: 250 psi; Proof pressure: 2.2X of full-scale; Burst pressure: 40X of full-scale.
Thermal Effect: 2% FS/100°F (50°C) includes zero and span.
Power Requirements: 12 to 30 VDC/18 to 28 VAC (reverse excitation protected). Note: 4-20 mA output cannot be powered with AC voltage.
Output Signal: Selectable 0 to 5, 0 to 10 and 1 to 5 VDC; 4 to 20 mA.

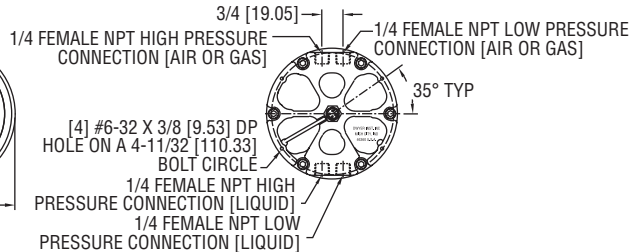
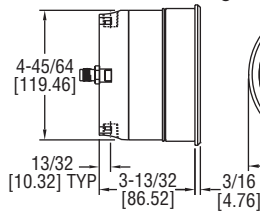
Zero & Span: Digital "re" zero button (should be used when changing ranges). Span can be adjusted by changing between field selectable ranges.
Response Time: 1 to 5 sec (selectable).
Loop Resistance: 1000 Ω .
Current Consumption: VDC power: 0 to 5, 1 to 5 VDC output 4 mA (typ); 0 to 10 VDC output 5 mA (typ); 4 to 20 mA output 20 mA max. Current consumption will equal the transmitter output in current mode. VAC power: 0 to 5, 1 to 5, 0 to 10 VDC output 40 mA (typ).
Electrical Connections: 1/2" conduit.
Process Connections: 1/8" female NPT internal.
Enclosure Rating: Designed to meet NEMA 4 (IP66).
Mounting Orientation: Vertical; mount the pressure ports down (keeps debris from building up inside the pressure port).
Weight: 1.5 lb (680.4 g).
Agency Approvals: CE.

MODEL CHART

Model	Description (psid)	Max. Working Pressure (psi)
WWDP-1	Selectable 5, 10, 25, 50	50
WWDP-2	Selectable 10, 20, 50, 100	100
WWDP-3	Selectable 25, 50, 125, 250	250
WWDP-1-LCD	Selectable 5, 10, 25, 50	50
WWDP-2-LCD	Selectable 10, 20, 50, 100	100
WWDP-3-LCD	Selectable 25, 50, 125, 250	250

CAPSUHELIC® WET/WET DIFFERENTIAL PRESSURE TRANSMITTER

Ranges Down to 0.5 in w.c. with 500 psi Static Pressure Rating



The Dwyer **SERIES 631B** Capsuhelic® Differential Pressure Transmitter monitors differential pressure of air and compatible gases and liquids with accuracy. The design employs converting pressure changes into a standard 4-20 mA output signal for two wire circuits. Digital push-button, zero and span adjustments are easily accessed on the front cover. The Series 631 Differential Pressure Transmitter is designed to meet NEMA 4X (IP66) construction. Robust housing offers 500 psi static pressure rating on ranges down to 0.5 in w.c.

FEATURES/BENEFITS

- Gage capsule permits high-pressure usage with small differentials
- Versatile device for liquid or gas supports designs requiring more precise measurements in support of application
- Zero and range adjustments outside of gage means no disassembly in normal service
- NEMA 4X rated enclosure provides protection in harsh environments permitting outdoor monitoring or in areas where dust and particulate matter exists

APPLICATIONS

- Refrigeration equipment
- Energy and water management
- Liquid level in water storage tanks

ACCESSORY	
Model	Description
A-164	16.4' (5 m) cable with M-12 4-pin female connector

SPECIFICATIONS

Service: Compatible gases & liquids.
Wetted Materials: Brass, silicone, 300 SS.
Accuracy: Transmitter output: $\pm 2\%$ FS (includes linearity, hysteresis and repeatability). Gage: $\pm 3\%$ of full-scale at 70°F (21.1°C).
Stability: $\pm 1\%$ FS/yr.
Temperature Limits: 20 to 120°F (-6.67 to 48.9°C).
Pressure Limits: -20" Hg to 500 psig (-6.67 bar to 34.4 bar).
Thermal Effect: 0.025%/°F (0.045%/°C) includes zero & span.
Power Requirements: 10 to 35 VDC.

Output Signal: 4 to 20 mA.
Response Time: 50 msec.
Loop Resistance: 0 to 1250 Ω max.
Electrical Connections: M-12 circular 4 pin connector.
Process Connections: 1/4" female NPT high and low pressure taps, duplicated - one pair top for air and gas, and one pair bottom for liquids.
Enclosure Rating: Designed to meet NEMA 4X (IP66).
Mounting Orientation: Diaphragm in vertical position. Consult factory for other position orientations.
Weight: 8 lb 4 oz (3.74 kg).
Agency Approvals: CE.

MODEL CHART

Model	Range
631B-0	0 to 0.5 in w.c.
631B-1	0 to 1 in w.c.
631B-2	0 to 2 in w.c.
631B-3	0 to 5 in w.c.
631B-5	0 to 25 in w.c.

OPTION

To order add suffix:	Description
-NIST	NIST traceable calibration certificate
Example: 631B-2-NIST	

UTILITY GAGE

1.5", 2" and 2.5" Dials with Back Connection; 2" Dials with Dual PSI/Bar x100 kPa Scales



UGI



UGJ



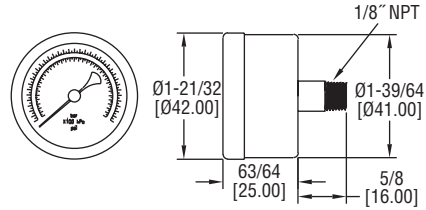
UGJ Back



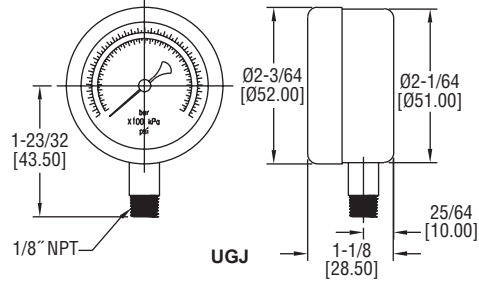
UGK



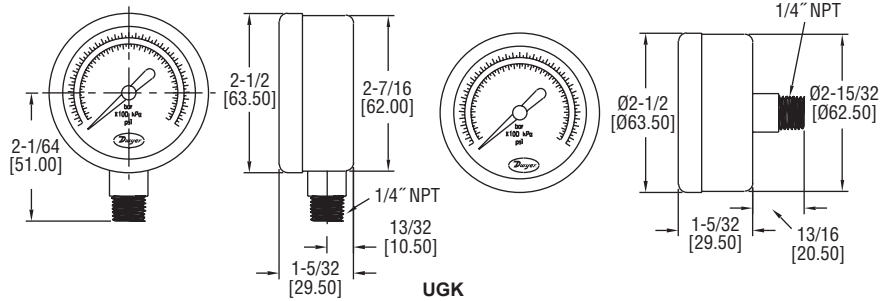
UGK Back



UGI



UGJ



UGK

The **SERIES UGI AND UGJ** Utility Gages possess dual psi and bar (x100 kPa) scales with $\pm 2.5\%$ accuracy. The **SERIES UGK** Gages have dual psi and bar (x100 kPa) scales with $\pm 1.5\%$ accuracy. They are designed with black steel housings. Wetted parts include a brass socket and phosphor bronze tube. A wide offering of ranges are available from full vacuum to 300 psi. The center back mounting and compact size makes this gage the perfect choice for pneumatic air regulators.

FEATURES/BENEFITS

- Dual scale provides reading in easily recognizable units
- Good accuracy gage for value-sensitive applications
- Compact size provides for mounting with dimensional limitations
- Higher accuracy gage for value-sensitive applications requiring more precise measurement
- Back or bottom mounting and compact size provides for mounting with dimensional limitations

APPLICATIONS

- Air regulators
- Pneumatic systems

MODEL CHART	
Model	Range
UGI-B10141N	30" Hg to 0
UGI-B10341N	0 to 30 psi
UGI-B10441N	0 to 60 psi
UGI-B10541N	0 to 100 psi
UGI-B10641N	0 to 160 psi
UGI-B10741N	0 to 200 psi
UGI-B11041N	0 to 300 psi

MODEL CHART	
Model	Range
UGJ-C10121N	30" Hg to 0
UGJ-C10321N	0 to 30 psi
UGJ-C10421N	0 to 60 psi
UGJ-C10521N	0 to 100 psi
UGJ-C10621N	0 to 160 psi
UGJ-C10721N	0 to 200 psi
UGJ-C11021N	0 to 300 psi
Note: For back connect gages, change 21N to 41N.	

MODEL CHART	
Model	Range
UGK-D10122N	30" Hg to 0
UGK-D10322N	0 to 30 psi
UGK-D10422N	0 to 60 psi
UGK-D10522N	0 to 100 psi
UGK-D10622N	0 to 160 psi
UGK-D10722N	0 to 200 psi
UGK-D11022N	0 to 300 psi
Note: For back connect, change 22N to 42N.	

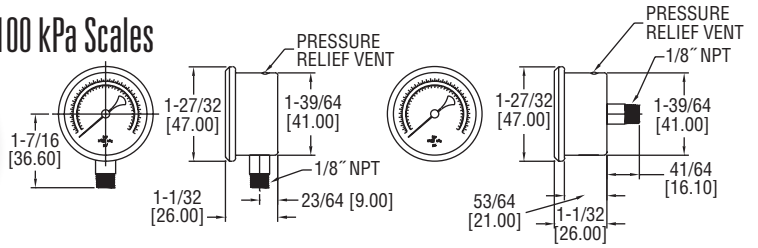
SPECIFICATIONS

Service: Compatible gases and liquids.
Wetted Materials: Brass connector, phosphor bronze tube.
Housing: Black painted steel.
Lens: Polycarbonate.
Accuracy: UGI & UGJ: $\pm 2.5\%$ FS; UGK: 1.5% FS.
Pressure Limit: FS range.
Temperature Limits: -4 to 140°F (-20 to 60°C).
Size: UGI: 1.5" (40 mm); UGJ: 2" (50 mm); UGK: 2.5" (63 mm).
Process Connection: UGI: 1/8" male NPT center back; UGJ: 1/8" male NPT; UGK: 1/4" male NPT.
Weight: UGI: 2.1 oz (59 g); UGJ: 3.8 oz (108 g); UGK: 5.1 oz (145 g) bottom, 5.5 oz (155 g) black.



1.5" INDUSTRIAL PRESSURE GAGE

2.5% FS Accuracy, 316 SS or Brass Wetted Parts, Dual PSI/Bar x100 kPa Scales



The **SERIES SG1** Gages are perfect for applications where resistance to corrosion is necessary. The stainless steel case and ring offer excellent protection from harsh processes. The SG1 gages are an economical choice where ambient corrosion and vibration are a concern. Gages are suitable for all fluids that are compatible with brass and bronze, and are available with bottom or back connections.

The **SERIES SG3** Gages have dual psi and bar (x100 kPa) scales with $\pm 2.5\%$ full-scale accuracy. The Series SG3 gages are designed with 304 SS housings and 316 SS wetted parts for excellent chemical compatibility. These gages cover a wide variety of ranges from full vacuum to 300 psi. Units can withstand ambient temperatures up to 140°F (60°C). Bottom or back 1/8" NPT connection options available.

FEATURES/BENEFITS

- Stainless steel housing to resist ambient corrosion for longer service life in harsh environments
- Good accuracy gage for value-sensitive applications requiring more precise measurement and where vibration is a concern
- Back or bottom mounting and compact size provides for mounting with dimensional limitations

APPLICATIONS

- Vacuums in pneumatic conveying lines
- Positive pressure in compressed air headers
- Corrosive ambient environments

OPTION	
Use order code:	Description
NISTCAL-PG1	NIST traceable calibration certificate

SPECIFICATIONS

Service: Compatible gases and liquids.
Wetted Materials: SG1: Brass connector, bronze tube; SG3: 316 L SS tube, 316 SS connector.
Housing: 304 SS.
Lens: Polycarbonate.
Accuracy: $\pm 2.5\%$ FS.

Pressure Limit: FS range.
Temperature Limits: -4 to 140°F (-20 to 60°C).
Size: 1.5" (40 mm).
Process Connections: 1/8" male NPT.
Weight: SG1: 2.2 oz (63 g) bottom, 2.3 oz (65 g) back; SG3: 2.4 oz (70 g) bottom, 2.5 oz (72 g) back.

MODEL CHART

Model	Range	Model	Range
SG1-B10121N	0 to 30" Hg	SG3-B10121N	30" Hg to 0
SG1-B10321N	0 to 30 psi	SG3-B10321N	0 to 30 psi
SG1-B10421N	0 to 60 psi	SG3-B10421N	0 to 60 psi
SG1-B10521N	0 to 100 psi	SG3-B10521N	0 to 100 psi
SG1-B10621N	0 to 160 psi	SG3-B10621N	0 to 160 psi
SG1-B10721N	0 to 200 psi	SG3-B10721N	0 to 200 psi
SG1-B11021N	0 to 300 psi	SG3-B11021N	0 to 300 psi

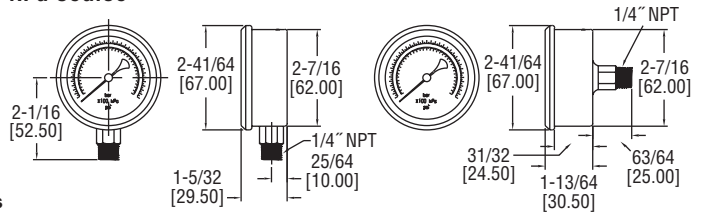
Note: For SG1 back connect, change 21N to 41N.
 For SG3 back connect, change 21N to 41N.

ACCESSORY

Model	Description
A-445B	U-bracket mounting kit for 1.5" and 2.5" gage

2.5" INDUSTRIAL PRESSURE GAGE

1.5% FS Accuracy, 316 SS or Brass Wetted Parts, Dual PSI/Bar x100 kPa Scales



The **SERIES SGY AND SGZ** Gages have dual psi and bar (x100 kPa) scales with $\pm 1.5\%$ full-scale accuracy. The Series SGZ and SGY gages are designed with 304 SS housings and the SGZ is designed with 316 SS wetted parts for excellent chemical compatibility or SGY brass wetted parts for compatible gases. These gages cover a wide variety of ranges in either bottom or back connection configurations. Series SGZ gages employ an easy-open breather plug on top, which allows liquid filled units to breathe, relieving any built up internal pressures. Plug easily pops open and does not need to be entirely removed or cut like a typical gages' rubber plug grommet.

FEATURES/BENEFITS

- Stainless steel housing and wetted parts to resist ambient corrosion for longer service life in harsh environments
- Higher accuracy gage for value-sensitive applications requiring more precise measurement and where vibration is a concern
- Optional sliding pointer clearly mark to make visible critical ranges and high and low points
- Liquid fillable gage with easy open breather plug provides smoother damped movement of pointer
- Back or bottom mounting and compact size provides for mounting with dimensional limitations

ACCESSORIES

Model	Description
A-445D	U-bracket mounting kit for 2.5" gage
A-499R	Red sliding color pointer
A-499Y	Yellow sliding color pointer
A-499G	Green sliding color pointer

OPTION	
Use order code:	Description
NISTCAL-PG1	NIST traceable calibration certificate

SPECIFICATIONS

Service: Compatible gases and liquids.
Wetted Materials: SGZ: 316 L SS Tube, 316 SS connector; SGY: Brass connection, bronze tube.
Housing: 304 SS.
Lens: Polycarbonate.
Accuracy: $\pm 1.5\%$ FS.
Pressure Limit: FS range.

Temperature Limits: -4 to 140°F (-20 to 60°C).
Size: 2.5" (63 mm).
Process Connections: 1/4" male NPT.
Weight: 4.9 oz (141 g) bottom, 5.8 oz (164 g) back. Add 3.7 oz (104 g) for glycerin fill.

APPLICATIONS

- Vacuums in pneumatic conveying lines
- Positive pressure in compressed air headers
- Corrosive ambient environments

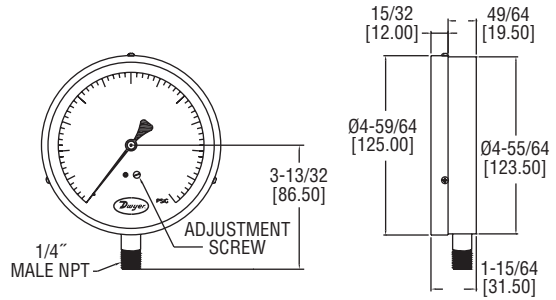
MODEL CHART

Model	Range	Model	Range
SGZ-D10122N	30" Hg to 0	SGY-D10122N	30" Hg to 0
SGZ-D10322N	0 to 30 psi	SGY-D10322N	0 to 30 psi
SGZ-D10422N	0 to 60 psi	SGY-D10422N	0 to 60 psi
SGZ-D10522N	0 to 100 psi	SGY-D10522N	0 to 100 psi
SGZ-D10622N	0 to 160 psi	SGY-D10622N	0 to 160 psi
SGZ-D10722N	0 to 200 psi	SGY-D10722N	0 to 200 psi
SGZ-D11022N	0 to 300 psi	SGY-D11022N	0 to 300 psi
SGZ-D11122N	0 to 500 psi	SGY-D11122N	0 to 500 psi
SGZ-D11222N	0 to 1000 psi	SGY-D11222N	0 to 1000 psi

Note: To order with glycerin fill add -GF to the end of the model. For back connect, change 22N to 42N.

CONTRACTOR GAGE

Large, Easy-to-Read Dial, Internal Surge Suppressor



The **SERIES SG5** Contractor Gages are ideally manufactured for contractors because of their large dial and compact design. Since the gages are lightweight and slim, they are easy to transport. The large 4.5" scale makes them simple to read. The Series SG5 gages possess psi scales with 1% full-scale accuracy. The gages are made with a stainless steel housing and brass wetted parts. Units can withstand temperatures of -4 to 140°F (-20 to 60°C). These qualities make the SG5 series perfect for contractors and industrial applications. A wide offering of ranges are available from full vacuum to 300 psi.

FEATURES/BENEFITS

- Stainless steel housing resists ambient corrosion for longer service life in harsh environments
- High accuracy gage for applications requiring more precise measurement
- Lightweight and slim, yet large easy to read gage make them easy to carry and read
- Specified with high ambient temperature rating means more robust uses and longer service-life

APPLICATIONS

- Contractor applications
- Industrial applications

OPTION	
Use order code:	Description
NISTCAL-PG1	NIST traceable calibration certificate

SPECIFICATIONS

Service: Compatible gases and liquids.
Wetted Materials: Brass connection, bronze tube.
Housing: 304 SS.
Lens: Plastic.
Accuracy: ±1% FS.
Pressure Limits: Full scale range.
Temperature Limits: -4 to 140°F (-20 to 60°C).
Size: 4.5" (115 mm).
Process Connections: 1/4" male NPT.
Weight: 10.4 oz (295 g).

MODEL CHART	
Model	Range
SG5-G0122N	30" Hg to 0
SG5-G0322N	0 to 30 psi
SG5-G0422N	0 to 60 psi
SG5-G0522N	0 to 100 psi
SG5-G0622N	0 to 160 psi
SG5-G0722N	0 to 200 psi
SG5-G0822N	0 to 300 psi

4" STAINLESS STEEL SCHAEFFER GAGE

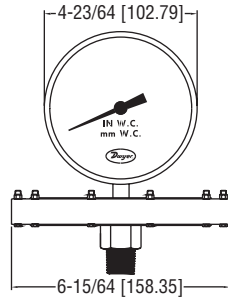
1.6% Full-Scale Accuracy, 316, 316L SS & PTFE Wetted Parts



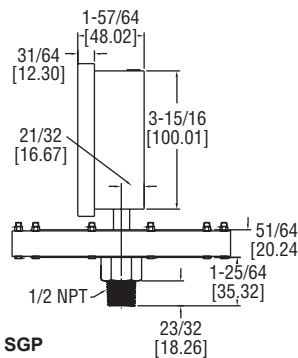
SGP



SGO



SGP



SGO

The **SERIES SGP & SGO** Gages have dual English/metric scales with ±1.6% full scale accuracy. The Series SGP gages are designed with 304 SS housings, a 316L SS chamber and a 316 SS diaphragm for excellent chemical compatibility. The SGO has a PTFE protected steel diaphragm. Units can withstand ambient temperatures up to 149°F (65°C) and process temperatures up to 248°F (120°C). Ranges are available from full vacuum, compound and pressures to 235 in w.c. are available. Micrometer adjustable pointer allows for re-zeroing gage in field.

FEATURES/BENEFITS

- Stainless steel housing and wetted parts resist ambient corrosion for longer service life in harsh environments
- Wetted parts permit use in chemical applications
- High accuracy gage for applications requiring more precise measurement
- Models that support vacuum to higher pressure ranges provide a selection to meet specific applications
- Specified with high ambient and process temperature ratings mean more robust uses and longer service-life

APPLICATIONS

- Chemical
- Refinery
- Fertilizer
- Petrochemical
- Power
- Pharmaceutical
- Pulp and paper
- Cement

SPECIFICATIONS

Service: Compatible gases and liquids.
Wetted Materials: 316L SS chamber with SGP: 316 SS diaphragm; SGO: PTFE diaphragm.
Housing: 304 SS.
Lens: Glass.
Accuracy: ±1.6% FS.
Pressure Limit: 130% FS.
Temperature Limit: Ambient: -13 to 149°F (-25 to 65°C); Process: 248°F (120°C).
Size: 4" (100 mm).
Process Connection: 1/2" male NPT.
Enclosure Rating: NEMA 3 (IP54).
Weight: 3.1 lb (1.4 kg).

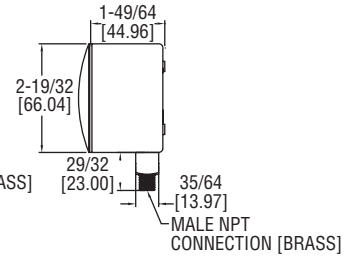
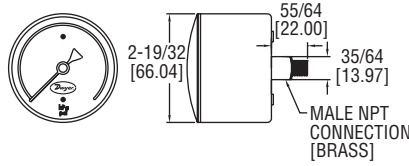
OPTION	
Use order code:	Description
NISTCAL-PG1	NIST traceable calibration certificate

MODEL CHART			
Model	Range	Model	Range
SGP-F8024N	0 to 10 in w.c. (0 to 250 mm)	SGO-F0124N	30" Hg-0 (-100 to 0 kPa)
SGP-F8124N	0 to 15 in w.c. (0 to 400 mm)	SGO-F0224N	0 to 15 psi (0 to 100 kPa)
SGP-F8224N	0 to 25 in w.c. (0 to 600 mm)	SGO-F0324N	0 to 30 psi (0 to 200 kPa)
SGP-F8324N	0 to 40 in w.c. (0 to 1000 mm)	SGO-F0424N	0 to 60 psi (0 to 400 kPa)
SGP-F8424N	0 to 60 in w.c. (0 to 1600 mm)	SGO-F0524N	0 to 100 psi (0 to 700 kPa)
SGP-F8524N	0 to 80 in w.c. (0 to 2000 mm)	SGO-F0624N	0 to 150 psi (0 to 1000 kPa)
SGP-F8624N	0 to 100 in w.c. (0 to 2500 mm)	SGO-F0724N	0 to 200 psi (0 to 1400 kPa)



2.5" LOW PRESSURE GAGE

3-2-3% Full Scale Accuracy in a 2.5" Gage



The **SERIES LPG5** Low Pressure Gages offer top of the line performance for pressure applications from 10 in w.c. to 10 psi. The LPG5 gages possess dual scales with 3-2-3% full-scale accuracy on a 2.5" dial. Units are made with a chrome plated steel housing and brass wetted parts. Units can withstand temperatures of -4 to 140°F (-20 to 60°C). This series is meant for the measurement of low pressures of gases and liquids and is ideal for air flow indication, liquid level and draft measurement. Series LPG5 gages are available with either a bottom or back connection option.

FEATURES/BENEFITS

- Chrome plated steel housing and brass wetted parts resist ambient for longer service life in harsh environments
- Low pressure gage provides a selection to meet specific applications
- Specified with high ambient and process temperature ratings mean more robust uses and longer service-life
- Good accuracy gage for value-sensitive applications requiring more precise measurement and where vibration is a concern

APPLICATIONS

- Air flow indication
- Liquid level
- Draft measurement

OPTION	
Use order code:	Description
NISTCAL-PG1	NIST traceable calibration certificate

SPECIFICATIONS

Service: Compatible gases and liquids.
Wetted Materials: Brass connection, bronze tube.
Housing: Chrome plated steel.
Lens: Polycarbonate.
Accuracy: ± 3-2-3% FS.
Pressure Limits: Full scale range.
Temperature Limits: -4 to 140°F (-20 to 60°C).
Size: 2.5" (63 mm).
Process Connections: 1/4" male NPT.
Weight: 8 oz (227 g).

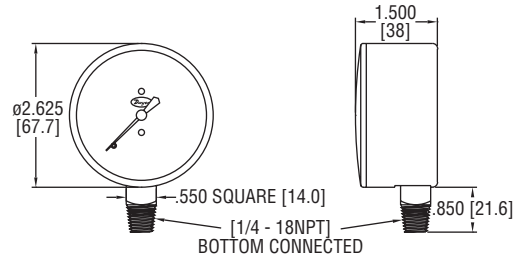
MODEL CHART

Model	Range in w.c. (kPa)	Model	Range psi (kPa)
LPG5-D8022N	0 to 10 (0 to 2.5)	LPG5-D9922N	0 to 5 (0 to 35)
LPG5-D8122N	0 to 15 (0 to 3.75)	LPG5-D0022N	0 to 10 (0 to 70)
LPG5-D8222N	0 to 35 (0 to 8.75)		
LPG5-D8422N	0 to 60 (0 to 15)		
LPG5-D8622N	0 to 100 (0 to 25)		
LPG5-D8822N	0 to 200 (0 to 50)		

Note: Change 22N to 42N for back connection option.

2.5" LOW PRESSURE GAGE

1.5% Full-Scale Accuracy in a 2.5" Gage



Our **SERIES LPG4** gages offer top of the line performance and accuracy for pressure and vacuum applications up to and including 160 in w.c. The LPG4 is constructed from a single beryllium-copper diaphragm affixed to a precision-machined brass plate. This innovative design, together with a high-precision, milled-teeth brass movement and nickel-silver pinion and bearing surface, provide the user with a top of the line low pressure instrument.

FEATURES/BENEFITS

- Low pressure gage provides a selection to meet specific applications
- Specified with high ambient and process temperature ratings mean more robust uses and longer service-life
- High accuracy gage for applications requiring more precise measurement is a concern

APPLICATIONS

- Air flow indication
- Liquid level
- Draft measurement

SPECIFICATIONS

Service: Compatible gases & liquids.
Wetted Materials: Brass and beryllium copper.
Housing: Drawn steel, black finish.
Lens: Polycarbonate (removable).
Accuracy: ±1.5% FS.
Pressure Limit: 100% of range scale.
Temperature Limits: Process: -40 to 160°F (-40 to 70°C); Ambient: -40 to 140°F (-40 to 60°C).
Size: 2.5" (63 mm).
Process Connections: 1/4" male NPT.
Enclosure Rating: NEMA 3 (IP54).
Weight: 7.3 oz (0.21 kg).

OPTION	
Use order code:	Description
NISTCAL-PG1	NIST traceable calibration certificate

MODEL CHART			
Model	Range	Model	Range
LPG4-D7122N	-10 to 0 in w.c. (-2.5 to 0 kPa)	LPG4-D8322N	0 to 40 in w.c. (0 to 10 kPa)
LPG4-D7222N	-15 to 0 in w.c. (-4 to 0 kPa)	LPG4-D8422N	0 to 60 in w.c. (0 to 15 kPa)
LPG4-D7322N	-25 to 0 in w.c. (-6 to 0 kPa)	LPG4-D8522N	0 to 80 in w.c. (0 to 20 kPa)
LPG4-D7422N	-40 to 0 in w.c. (-10 to 0 kPa)	LPG4-D8622N	0 to 100 in w.c. (0 to 25 kPa)
LPG4-D7522N	-60 to 0 in w.c. (-15 to 0 kPa)	LPG4-D8722N	0 to 160 in w.c. (0 to 40 kPa)
LPG4-D7622N	-80 to 0 in w.c. (-20 to 0 kPa)	LPG4-D8922N	-4 to 0 to 6 in w.c. (-1 to 0 to 1.5 kPa)
LPG4-D7722N	-100 to 0 in w.c. (-25 to 0 kPa)	LPG4-D9022N	-6 to 0 to 10 in w.c. (-1.5 to 0 to 2.5 kPa)
LPG4-D7822N	-160 to 0 in w.c. (-40 to 0 kPa)	LPG4-D9122N	-8 to 0 to 16 in w.c. (-2 to 0 to 4 kPa)
LPG4-D7922N	-235 to 0 in w.c. (-60 to 0 kPa)	LPG4-D9222N	-16 to 0 to 24 in w.c. (-4 to 0 to 6 kPa)
LPG4-D8022N	0 to 10 in w.c. (0 to 2.5 kPa)	LPG4-D9322N	-24 to 0 to 40 in w.c. (-6 to 0 to 10 kPa)
LPG4-D8122N	0 to 15 in w.c. (0 to 3.75 kPa)	LPG4-D9422N	-30 to 0 to 50 in w.c. (-7.5 to 0 to 12.5 kPa)
LPG4-D8222N	0 to 25 in w.c. (0 to 6 kPa)	LPG4-D9522N	-40 to 0 to 60 in w.c. (-10 to 0 to 15.0 kPa)

2.5" STAINLESS STEEL LOW PRESSURE GAGES

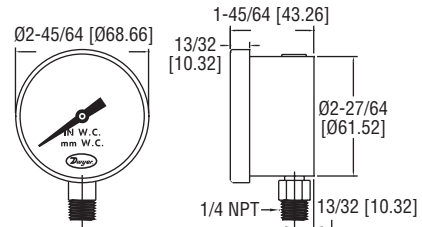
Brass or 316 SS Wetted Parts



SGX



SGF



The **SERIES SGX & SGF** Gages have dual English/metric scales with $\pm 1.6\%$ full scale accuracy. The Series SGX/SGF gages are designed with 304 SS housings and brass or 316 SS wetted parts. Units can withstand ambient temperatures up to 149°F (65°C) and process temperatures up to 212°F (100°C). Ranges of vacuum, compound and pressures to 235 in w.c. are available. Included on the dial is a convenient zero adjustment screw which allows the user to easily re-zero the needle.

FEATURES/BENEFITS

- Stainless steel housing and wetted parts resist ambient corrosion for longer service life in harsh environments
- High accuracy gage for applications requiring more precise measurement
- Models that support vacuum to higher pressure ranges provide a selection to meet specific applications
- Specified with high ambient and process temperature ratings mean more robust uses and longer service-life
- Field adjustable zeroing screw simplifies installation and calibration

APPLICATIONS

- Pneumatic
- Draft measurement
- Filter monitoring
- Liquid level

OPTION	
Use order code:	Description
NISTCAL-PG1	NIST traceable calibration certificate

SPECIFICATIONS

Service: Compatible gases & liquids.
Wetted Materials: SGX: Brass; SGF: 316/316L SS.
Housing: 304 SS.
Lens: Glass.
Accuracy: $\pm 1.6\%$ FS on positive pressure ranges 15 in w.c. and greater; $\pm 2.5\%$ FS on all other ranges.
Pressure Limit: Full-scale value.
Temperature Limits: Ambient: -13 to 149°F (-25 to 65°C); Process: 212°F max. (100°C max.).
Size: 2.5" (63 mm).
Process Connections: 1/4" male NPT.
Enclosure Rating: NEMA 3 (IP54).
Weight: 4.6 oz (0.13 kg).

MODEL CHART - Brass Gages

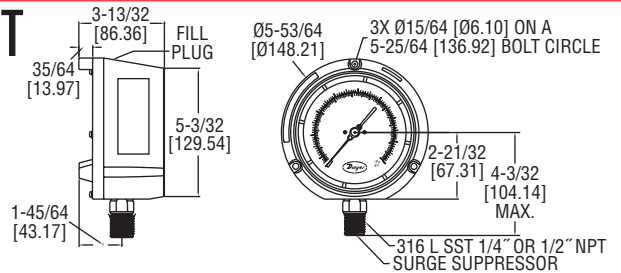
Model	Range in w.c. (mm)
SGX-D7122N	-10 to 0 (-250 to 0)
SGX-D7322N	-25 to 0 (-600 to 0)
SGX-D7522N	-60 to 0 (-1600 to 0)
SGX-D7722N	-100 to 0 (-2500 to 0)
SGX-D8022N	0 to 10 (0 to 250)
SGX-D8122N	0 to 15 (0 to 400)
SGX-D8222N	0 to 25 (0 to 600)
SGX-D8322N	0 to 40 (0 to 1000)
SGX-D8422N	0 to 60 (0 to 1600)
SGX-D8722N	0 to 100 (0 to 2500)
SGX-D8922N	-4 to 0 to 6 (-100 to 0 to 150)
SGX-D9122N	-8 to 0 to 16 (-200 to 0 to 400)
SGX-D9722N	-80 to 0 to 160 (-2000 to 0 to 4000)

MODEL CHART - 316 SS Gages

Model	Range in w.c. (mm)
SGF-D7122N	-10 to 0 (-250 to 0)
SGF-D7322N	-25 to 0 (-600 to 0)
SGF-D7522N	-60 to 0 (-1600 to 0)
SGF-D7722N	-100 to 0 (-2500 to 0)
SGF-D8022N	0 to 10 (0 to 250)
SGF-D8122N	0 to 15 (0 to 400)
SGF-D8222N	0 to 25 (0 to 600)
SGF-D8322N	0 to 40 (0 to 1000)
SGF-D8422N	0 to 60 (0 to 1600)
SGF-D8622N	0 to 100 (0 to 2500)
SGF-D8722N	0 to 160 (0 to 4000)

PROCESS GAGE WITH DAMPENED MOVEMENT

$\pm 0.5\%$ Accuracy, Safety Blow-Out Back



The **SERIES 765** Process Gage with Dampened Movement minimizes effects of vibration without liquid filling. With this dampened movement the 765 gages are ideal for use in any application where high pulsation or vibration exists. The 765 gages offer dual scale range (psi/kPa) with $\pm 0.5\%$ full-scale accuracy. They are designed with a Phenolic safety-case and have a solid front with a blow-out back. Excellent chemical compatibility is insured with the 316L SS socket and Bourdon tube. A wide offering of ranges are available from full vacuum to 20,000 psi. The 765 process gage comes standard with bottom 1/4" or 1/2" male NPT connections.

FEATURES/BENEFITS

- Liquid-free dampened movement minimizes effect of vibration and cost to maintain
- Stainless steel socket and Bourdon tube permit use in chemical applications
- High accuracy gage for applications requiring more precise measurement
- Models that support vacuum to high pressure ranges provide a selection to meet specific applications
- Specified with high ambient and process temperature ratings mean more robust uses and longer service-life

APPLICATIONS

- Process applications
- Chemical
- Refinery
- Fertilizer
- Petrochemical
- Power
- Pharmaceutical
- Pulp and paper
- Cement

OPTION	
Use order code:	Description
NISTCAL-PG1	NIST traceable calibration certificate

SPECIFICATIONS

Service: Compatible gases & liquids.
Wetted Materials: 316L SS socket and Bourdon tube.
Housing: Phenolic plastic with safety blow-out back.
Lens: Polycarbonate.
Accuracy: $\pm 0.5\%$ ANSI/ASME Grade 2A.
Pressure Limit: 125% FS < 1500 psi, 115% FS for 2000 to 5000 psi, 110% FS > 10,000 psi.
Temperature Limits: -40 to 200°F (-40 to 93°C).
Size: 4-1/2" (114.3 mm) dial face.
Process Connections: 1/4" or 1/2" NPT male.
Enclosure Rating: IP65 (NEMA 4).
Agency Approval: Meets the technical requirements of EU Directive 2011/65/ EU (RoHS II).

MODEL CHART

Example	765	-01	2N	-FMR	765-012N-FMR						
Series	765				4.5" process gage						
Range	01	02	03	04	05	06	07	08	09	10	11
Process Connection			2N		1/4" male NPT						
			4N		1/2" male NPT						
Additional Options				FMR	Flush mounted ring						
				SG45	Safety glass lens						

For additional ranges contact factory.



SPIRAHELIC® DIRECT DRIVE PRESSURE GAGE

Panel Mount, 4-1/2" & 8-1/2" Dials, ASME Grades 2A & 3A

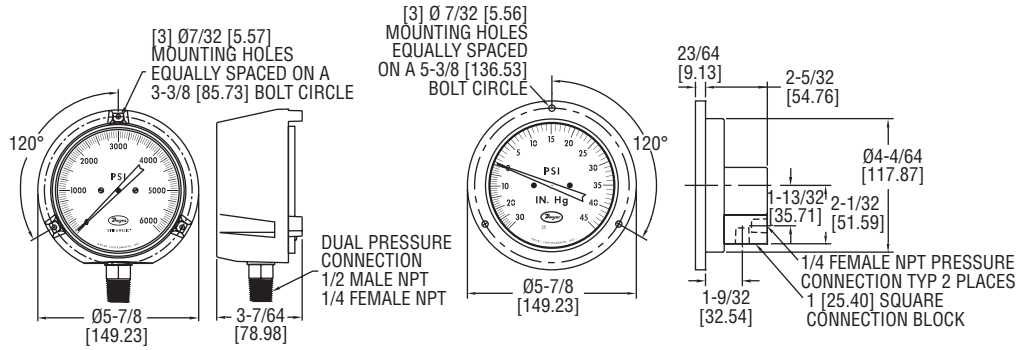
GRADE 2A ACCURACY



7112 (4-1/2" Dial)



7000B



The **SERIES 7000 & 7000B** Spirahelic® Pressure Gages employ a unique triple helix Bourdon tube for precision measurement of compatible gases and liquids. The direct drive design reduces friction and mass, resulting in exceptionally good responsiveness, repeatability and accuracy. Because there are no gears, springs, linkages or other complicated mechanisms, wear is practically eliminated. The Series 7000 has solid brass or 316 stainless steel connection block features convenient dual 1/4" female NPT ports-one each on back and bottom. Block also includes integral filter plug to keep dirt out. Safety is assured with solid front case design and rear blowout hole. Gages fit ASME standard panel cutouts, 4.94" (125 mm) -7100; 6.5" (165.1 mm) -7200; 9.0" (229 mm) -7300. The Series 7000B Spirahelic® Direct Drive Pressure Gages comes with turret mount housings and standard with a dual-size 1/2" male NPT and 1/4" female NPT process connection.

FEATURES/BENEFITS

- Direct drive design with single moving part maximizes lifespan and accuracy without the need to recalibrate
- Elastic Bourdon tube resists overpressure and returns to original setting
- Blowout hole prevents early failure from high overpressure conditions
- Single element sensing means total lower cost of ownership because of long service life and lower cost to maintain

APPLICATIONS

- Systems with high cycle rates
- Process with problematic pressure surges and spikes
- Environmental with continuous vibration shock

MODEL CHART - 4-1/2" Dial, Grade 2A Accuracy (1/2% of FS)

Model	Range (psig)
7112-G030	30
7112-G060	60
7112-G100	100
7112-G200	200

MODEL CHART - Grade A Accuracy (2%-1%-2%)

Model	Range (psig)
7100B-G100	100
7100B-G200	200
7100B-G300	300

MODEL CHART - Grade 2A Accuracy (1/2% of FS)

Model	Range (psig)
7112B-G030	30
7112B-G060	60
7112B-G100	100
7112B-G160	160
7112B-G200	200
7112B-GC010	1000

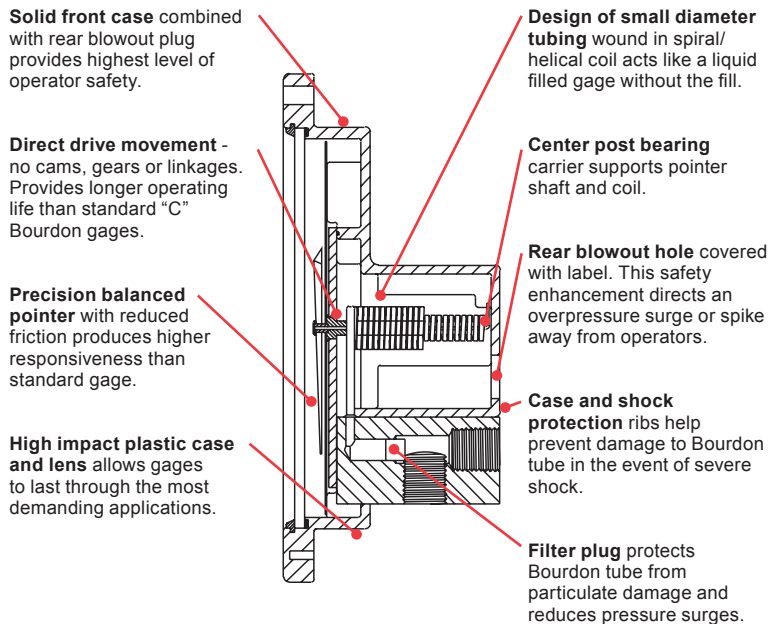
ACCESSORY

Model	Description
A-341	Brass adapter, 1/4" male NPT to G 1/2A (per ISO 228/1) parallel thread 2-1/2" length

SPECIFICATIONS

- Service:** Compatible gases & liquids.
- Wetted Materials:** Grade A accuracy: Inconel® X-750 alloy Bourdon tube, nickel plated brass connection block; Grade 2A accuracy: Inconel® X-750 alloy Bourdon tube, type 316L SS connection block.
- Housing:** Black polycarbonate case and clear acrylic cover.
- Accuracy:** Grade A (2%-1%-2%); Grade 2A (0.5% FS).
- Pressure Limit:** 150% of full-scale. Gage will maintain its specifications for overpressures up to 150% max. range. Normal operation should be between 25% and 75% of full-scale.
- Temperature Limits:** -65 to 180°F (-53.9 to 82.2°C).
- Sizes:** 4-1/2" dial face (114.3 mm), 8-1/2" dial face (215.9 mm), design conforms to ASME B40.1.
- Process Connections:** 7000: Two 1/4" female NPT field-selectable back or bottom connection; 7000B: Dual size 1/2" male NPT X 1/4" female NPT, bottom connections.
- Weight:** 7000: 4-1/2" dial face: 16.3 oz (462.1 g); 8-1/2" dial face: 27.3 oz (773.9 g); 7000B: 18.2 oz (516 g).
- Standard Accessory:** One 1/4" male NPT stainless steel plug.
- Note:** Additional ranges and accuracy requirements are available. Please consult the factory for details.

PRECISION DESIGN ENSURES MAINTENANCE-FREE PERFORMANCE



Inconel® is a registered trademark of Huntington Alloys Corporation

WEATHERPROOF OR BRASS DIGITAL PRESSURE GAGE

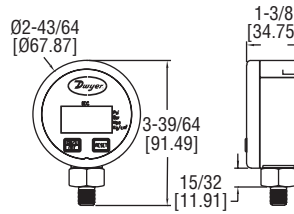
±0.5% FS Accuracy, Weatherproof, Economic Plastic Housing, Brass Wetted Parts



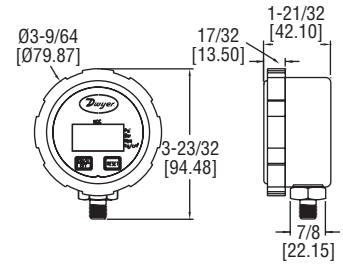
BDG



WDG



BDG



WDG

The **SERIES BDG-01** Brass Digital Pressure Gage measures gas pressure with ±0.5% FS accuracy at an affordable price. With brass wetted material, the series BDG is designed for your specific applications of compatible gases. Its design allows for easy installation. User-selectable units of measure let one gage be used for various pressure scales.

The **SERIES WDG** Weatherproof Digital Pressure Gage measures gas and liquid pressure with high accuracy at an affordable price. It's rugged weatherproof design stands up to outdoor and industrial environments. The 4-digit backlit display with four selectable units makes readings easily visible to prevent reading errors. The WDG comes with 304L stainless steel wetted material for a wide range of compatible liquids and gases.

FEATURES/BENEFITS

- Brass wetted materials for use with compatible gases.
- Backlit display provides easy viewing of gage measurement.
- Selectable units provide readings in easily recognizable units for user.
- Well-suited gage for application designs specifying simple operation and accuracy.
- Rugged weatherproof enclosure enables a range of use outdoor or indoor where water is present.

APPLICATIONS

- Pneumatic
- Draft measurement
- Filter monitoring
- Industrial
- Outdoor
- HVAC roof-top
- Flow

OPTION	
Use order code:	Description
NISTCAL-PG1	NIST traceable calibration certificate

SPECIFICATIONS

Service: BDG: Compatible gases; WDG: Compatible gases and liquids.
Wetted Materials: BDG: Brass and silicone sensor; WDG: 304L SS.
Housing Materials: BDG: ABS plastic; WDG: Fiberglass reinforced PP plastic.
Accuracy: BDG: ±0.5% FS; WDG: ±0.5% FS for ranges up to 1000 psig (68.94 bar); ±1% FS for 5000 psig (344.74 bar) range.
Long Term Stability: ±0.05% FS per year.
Pressure Limits: 2X pressure range; Burst pressure: 3X pressure range.
Enclosure Rating: BDG: IP10; WDG: IP65.
Temperature Limits: 14 to 140°F (-10 to 60°C).
Thermal Effect: ±0.04% FS per °C.
Size: 2.5" O.D.
Process Connection: 1/4" male NPT.
Display: 4-digit LCD (1-1/4 x 5/8").
Power Requirements: 3 V CR123A lithium metal battery, installed functional, user replaceable.
Battery Life: 2 to 3 years typ.
Weight: BDG: 0.29 lb (0.13 kg); WDG: 0.34 lb (0.15 kg).

MODEL CHART				
Model	Pressure Ranges			
	Range (psig)	bar	mPa	kg/cm ²
BDG-01	0 to 150	10.342	1.034	10.545
WDG-01	0 to 50	3.45	0.34	3.52
WDG-02	0 to 100	6.89	0.69	7.03
WDG-03	0 to 300	20.68	2.07	21.09
WDG-04	0 to 500	34.47	3.45	35.15
WDG-05	0 to 1000	68.94	6.89	70.30
WDG-06	0 to 5000	344.74	34.47	351.5



0.5% & 1% DIGITAL PRESSURE GAGE

Economic Gage With Selectable Engineering Units, Rubber Boot



DPGA



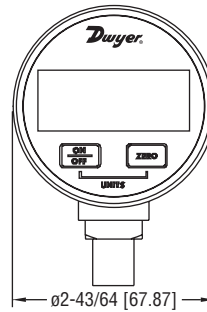
DPGW



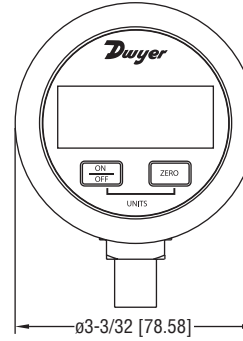
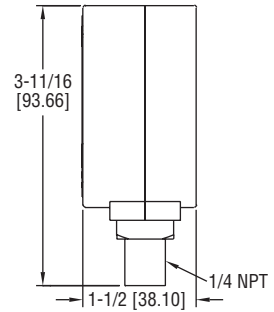
DPGAB



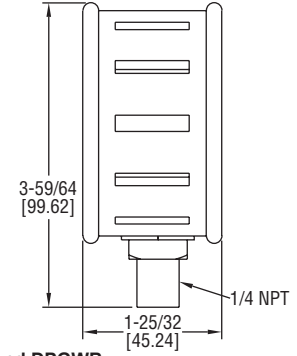
DPGWB



DPGA and DPGW



DPGAB and DPGWB



The **SERIES DPGA** is the only economic digital pressure gage with selectable engineering units on the market. With its 1% accuracy and digital push-button zero, the DPGA is the perfect choice for digitally monitoring the pressures of air and compatible gases.

The **SERIES DPGW** is the only economic digital pressure gage for liquids with the ability to select engineering units on the market. With its 1% accuracy and digital push-button zero, the DPGW is the perfect choice for digitally monitoring the pressures of air and compatible liquids and gases.

The **SERIES DPGWB/DPGAB** pressure gages offer 0.5% full scale accuracy in a rugged, easy-to-use unit at prices comparable to mechanical gages. The DPGWB stainless steel wetted material makes it suitable for a wide variety of liquids or gases. The gages feature user-selectable units of measure allowing one gage to be used for a variety of pressure scales. The DPGWB/DPGAB come with a protective rubber boot to protect against short drops and rough handling.

FEATURES/BENEFITS

- Push-button zero reduce installation and service time
- High accuracy provides exceptional measurement for minimizing costly out of specification conditions
- Selectable unit button provides reading in easily recognizable units
- Well-suited gage for compatible gas (DPGA) or liquid (DPGW) applications specifying simple operation and accuracy

APPLICATIONS

- Process applications
- Process start-up
- OEM applications

SPECIFICATIONS

Service: DPGA & DPGAB: Air and compatible gases; DPGW & DPGWB: Liquids and compatible gases.

Wetted Materials: DPGA & DPGAB: 316L SS, silicone sensor; DPGW & DPGWB: 316L SS.

Housing Materials: ABS plastic.

Accuracy: DPGA & DPGW: ±1.0% FS (includes linearity, hysteresis, repeatability); DPGAB & DPGWB: ±0.5% FS (includes linearity, hysteresis, repeatability).

Pressure Limits: 2X pressure range. Vacuum range max. pressure is 30 psig.

Temperature Limits: 30 to 120°F (-1 to 49°C).

Thermal Effect: 0.05% FS/°F.

Size: 2.62" OD x 1.52" deep.

Process Connections: 1/4" male NPT.

Display: 4-digit LCD (.425" H x .234" W digits).

Power Requirements: 9 V alkaline battery, included, user replaceable.

Auto Shut-off: 20 minute auto shut-off.

Weight: 5.6 oz (160 g).

ACCESSORY

Model	Description
A-293	Protective rubber boot

OPTION

To order add suffix:	Description
-NIST	NIST traceable calibration certificate
Example: DPGA-04-NIST	

MODEL CHART

Model	Model	Range	Pressure Ranges											Resolution
			psig	kg/cm ²	bar	in Hg	ft w.c.	kPa	oz/in ²	in w.c.	mbar	cm w.c.	mm Hg	
DPGA-00	DPGW-00	30" Hg to 0 (psi)	-14.70	-1.033	-1.013	-29.93	-33.94	-101.4	-235.2	-407.3	-1013	-1034	-761	0.01
DPGA-04	DPGW-04	0 to 5 psi	5.000	.3515	.3447	10.18	11.53	34.47	80.0	138.4	344.7	351.5	258.6	0.002
DPGA-05	DPGW-05	0 to 15 psi	15.00	1.055	1.034	30.54	34.60	103.4	240.0	415.2	1034	1055	776	0.01
DPGA-06	DPGW-06	0 to 30 psi	30.00	2.109	2.068	61.1	69.2	206.8	480.0	830	2068	2109	1551	0.01
DPGA-07	DPGW-07	0 to 50 psi	50.00	3.515	3.447	101.8	115.3	344.7	800	1384	3447	3515	2586	0.02
DPGA-08	DPGW-08	0 to 100 psi	100.0	7.03	6.89	203.6	230.7	689	1600	2768	-	-	-	0.1
DPGA-09	DPGW-09	0 to 200 psi	200.0	14.06	13.79	407.2	461.3	1379	3200	-	-	-	-	0.1
DPGA-10	DPGW-10	0 to 300 psi	300.0	21.09	20.68	611	692	2068	4800	-	-	-	-	0.1
DPGA-11	DPGW-11	0 to 500 psi	500.0	35.15	34.47	1018	1153	3447	-	-	-	-	-	0.2

Compound range available: DPGW-12: 30" Hg-0-100 psi.

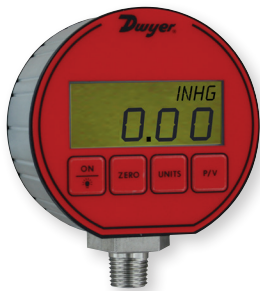
MODEL CHART

Model	Model	Range	Pressure Ranges											Resolution
			psig	kg/cm ²	bar	in Hg	ft w.c.	kPa	oz/in ²	in w.c.	mbar	cm w.c.	mm Hg	
DPGAB-00	DPGWB-00	30" Hg to 0 (psi)	-14.70	-1.033	-1.013	-29.93	-33.94	-101.4	-235.2	-407.3	-1013	-1034	-761	0.01
DPGAB-04	DPGWB-04	0 to 5 psi	5.000	.3515	.3447	10.18	11.53	34.47	80.0	138.4	344.7	351.5	258.6	0.002
DPGAB-05	DPGWB-05	0 to 15 psi	15.00	1.055	1.034	30.54	34.60	103.4	240.0	415.2	1034	1055	776	0.01
DPGAB-06	DPGWB-06	0 to 30 psi	30.00	2.109	2.068	61.1	69.2	206.8	480.0	830	2068	2109	1551	0.01
DPGAB-07	DPGWB-07	0 to 50 psi	50.00	3.515	3.447	101.8	115.3	344.7	800	1384	3447	3515	2586	0.02
DPGAB-08	DPGWB-08	0 to 100 psi	100.0	7.03	6.89	203.6	230.7	689	1600	2768	-	-	-	0.1
DPGAB-09	DPGWB-09	0 to 200 psi	200.0	14.06	13.79	407.2	461.3	1379	3200	-	-	-	-	0.1
DPGAB-10	DPGWB-10	0 to 300 psi	300.0	21.09	20.68	611	692	2068	4800	-	-	-	-	0.1
DPGAB-11	DPGWB-11	0 to 500 psi	500.0	35.15	34.47	1018	1153	3447	-	-	-	-	-	0.2

Compound range available: DPGWB-12: 30" Hg-0-100 psi

DIGITAL PRESSURE GAGE

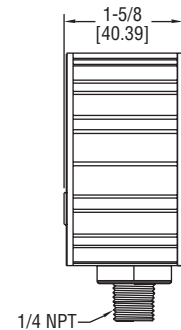
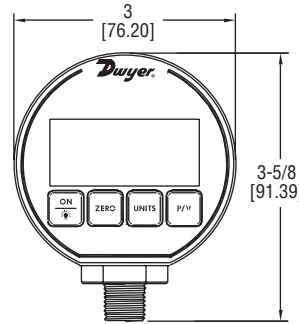
±0.25% or ±0.5% FS Accuracy, NEMA 4X (IP66) Aluminum Housing



DPG-000



DPG-100



Replace your outdated analog gages with the new **SERIES DPG** Digital Pressure Gage. The Series DPG has a high $\pm 0.25\%$ or $\pm 0.5\%$ full-scale accuracy. The 4 digit digital display will reduce the potential for errors in readings by eliminating parallax error commonly produced with analog gages. Series DPG is battery powered and has an auto-shut off to conserve battery life. Battery life, on average, will last 2000 hours. A 4 button key pad allows easy access to features without the need to work through complex menus or difficult key combinations. These features include backlight, peak and valley, tare or auto zero and conversion of the pressure units.

FEATURES/BENEFITS

- High accuracy provides exceptional measurement minimizing costly out of specification conditions
- Backlit 4-digit display provides clear parallax-free reading reducing potential for errors
- Battery-powered gage with auto-shutoff eliminates wiring and prolongs battery life reducing service calls
- Push-button zero reduce installation and service time

APPLICATIONS

- Process applications
- Replacement for legacy analog gages
- OEM applications

ACCESSORIES

Model	Description
A-183	Protective rubber boot
A-184	Carrying case



DPG-100 with Protective Rubber Boot



Protective Carrying Case

SPECIFICATIONS

Service: Compatible liquids and combustible gases (for FM listing see Agency Approvals below).
Wetted Materials: Type 316L SS.
Housing Materials: Polycarbonate front & back cover, anodized aluminum extruded housing with recessed grooves, polycarbonate overlay, Buna-N O-rings, 316L SS sensor construction.
Accuracy: DPG-000: $\pm 0.5\%$ FS; DPG-100: 0.25% FS; ± 1 least significant digit @ 70°F (21°C) (includes linearity, hysteresis, repeatability).
Pressure Limit: 2x pressure range for models ≤ 1000 psi; 5000 psi for 3000 psi range; 7500 psi for 5000 psi range.
Enclosure Rating: Designed to meet NEMA 4/4X (IP66).
Temperature Limits: 0 to 130°F (-18 to 55°C).

Thermal Effect: Between 70 to 130°F is 0.016%/F; Between 32 to 70°F is 0.026%/F; Between 10 to 32°F is 0.09%/F.
Size: 3.00" OD x 1.90" deep (max).
Process Connection: 1/4" male NPT.
Weight: 8.84 oz (275 g).
Display: 4 digit (.425" H x .234" W digits).
Power Requirements: (2) AAA alkaline batteries, included, user replaceable.
Battery Life: 2000 hours typical; Low battery indicator.
Auto Shut-Off: Gage: 60 minute auto shut off. Auto shut-off may be disengaged; Backlight: 2 minute auto shut-off.
Agency Approvals: DPG-000: CE; DPG-100: CE, FM approved to be intrinsically safe for Class I, Division I, Groups A, B, C and D, for ranges 0-15 to 0-3000 psi.

OPTION

To order add suffix:	Description
-NIST	NIST traceable calibration certificate
Example: DPG-002-NIST	

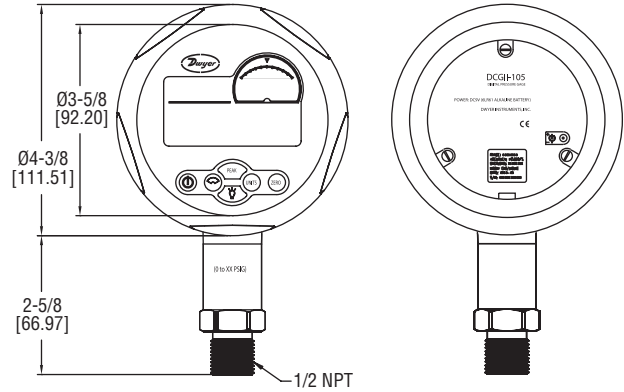
MODEL CHART

Model $\pm 0.5\%$	Model $\pm 0.25\%$	Range psi	Pressure Ranges									
			kg/cm ²	bar	in Hg	ft w.c.	kPa	oz/in ²	in w.c.	mbar	cm w.c.	mm Hg
DPG-000*	-	-14.70 to 0	-1.033	-1.013	-29.93	-33.94	-101.4	-235.2	-407.3	-1013	-1034	-760.7
DPG-002*	DPG-102	15.00	1.055	1.034	30.54	34.61	103.4	240	415.2	1034	1055	775.7
DPG-003*	DPG-103	30.00	2.109	2.069	61.08	69.21	206.9	480	830.4	2069	2109	1551
DPG-004*	DPG-104	50.00	3.515	3.448	101.8	115.4	344.8	800	1384	3448	3515	2586
DPG-005*	DPG-105	100.0	7.03	6.895	203.6	230.7	689.5	1600	2768	6895	7031	5172
DPG-006*	DPG-106	200.0	14.06	13.79	407.2	461.4	1379	3200	5536	-	-	-
DPG-007*	DPG-107	300.0	21.09	20.69	610.8	692.1	2069	4800	8304	-	-	-
DPG-008*	DPG-108	500.0	35.15	34.48	1018	1154	3448	8000	-	-	-	-
DPG-009*	DPG-109	1000	70.3	68.98	2036	2307	6895	-	-	-	-	-
DPG-010*	DPG-110	3000	210.9	206.9	6108	6921	-	-	-	-	-	-
DPG-011*	DPG-111*	5000	351.5	344.8	-	-	-	-	-	-	-	-
DPG-020*	-	-14.70 to 15.00	-1.033 to 1.055	-1.013 to 1.034	-29.93 to 30.54	-33.94 to 34.61	-101.4 to 103.4	-235.2 to 240	-407.3 to 415.2	-1013 to 1034	-1034 to 1055	-760.7 to 775.7
DPG-021*	-	-14.70 to 30.00	-1.033 to 2.109	-1.013 to 2.069	-29.93 to 61.08	-33.94 to 69.21	-101.4 to 206.9	-235.2 to 480	-407.3 to 830.4	-1013 to 2069	-1034 to 2109	-760.7 to 1551
DPG-022*	-	-14.70 to 45.00	-1.033 to 3.164	-1.013 to 3.103	-29.93 to 91.63	-33.94 to 103.8	-101.4 to 310.3	-235.2 to 720	-407.3 to 1245	-1013 to 3102	-1034 to 3164	-760.7 to 2327
DPG-023*	-	-14.70 to 60.00	-1.033 to 4.218	-1.013 to 4.137	-29.93 to 122.2	-33.94 to 138.4	-101.4 to 413.7	-235.2 to 960	-407.3 to 1661	-1013 to 4137	-1034 to 4218	-760.7 to 3103
DPG-024*	-	-14.70 to 100.0	-1.033 to 7.03	-1.013 to 6.895	-29.93 to 203.6	-33.94 to 230.7	-101.4 to 689.5	-235.2 to 1600	-407.3 to 2768	-1013 to 6895	-1034 to 7031	-760.7 to 5172

*Model is not FM approved.

DIGITAL CALIBRATION PRESSURE GAGE

±0.05% FS Accuracy, 316 SS Wetted Parts



Scan here to watch product video

The **SERIES DCGII** Digital Calibration Pressure Gage offers a complete pressure gage with calibration capabilities. With a precise 0.05% full scale accuracy and large 5 digit resolution, this gage can be used in critical industrial applications where precision is most important. This versatile gage only requires one 9V battery or power adapter and can operate up to 5,000 working hours. The Series DCGII 0.05% Digital Pressure Gage can display percent of range, pressure swings or alarm set points. This pressure gage comes complete with eleven selectable pressure units, backlight and zeroing capability.

FEATURES/BENEFITS

- Highest accuracy provides exceptional measurement for calibration minimizing costly out of specification conditions
- Stainless steel housing resists ambient corrosion for longer service life in harsh environments
- Lightweight and slim, yet large easy to read battery-powered gage make them easy to carry and read
- Specified with high ambient temperature rating means more robust uses and longer service-life
- Indicator can display pressure swings, minimum and maximum peak detection with alarm set points provides a multipurpose tool where critical calibration is needed

APPLICATIONS

- Field gage calibration
- Permanent installation
- Burst disc testing
- Torque data logging
- Pressure regulator testing and hydrostatic leak testing

SPECIFICATIONS

Service: Compatible, non-combustible liquids and gases.
Wetted Materials: 316 SS.
Other Materials: Housing: Aluminum alloy; Display: Acrylic MR200; Buttons: Silicon gel; Back plate: 304 SS; Back seal: Oil-proof latex.
Accuracy: 0.05% FS; ±1 least significant digit.
Temperature Accuracy: ±1°C.
Pressure Limits: 120% FS.
Temperature Limits: 14 to 122°F (-10 to 50°C).
Compensated Limits: 32 to 122°F (0 to 50°C).
Process Connection: 1/2" male NPT.
Display: 5-digit LCD with blue backlight.
Power Requirements: 9 V alkaline battery, included, user replaceable, or power adapter accessory.
Battery Life: Up to 10,000 hours (600 working hours @ default 3 times/s).
Auto Shut-Off: Backlight: On/off, 10 s, 20 s, 30 s.
Weight: 1.28 lb (0.58 kg).
Agency Approvals: CE.

MODEL CHART

Model	Range (psig)	kPa	mPa	kgf/cm ²	in H ₂ O	in Hg	mm Hg	psi	mbar	bar
DCGII-100	-14.7 to 0	-101.35	-0.1013	-1.0335	-406.90	-29.929	-760.21	-14.700	1013.5	-1.0135
DCGII-101	0 to 15	103.42	0.1034	1.0546	415.20	30.540	775.72	15.000	1034.2	1.0342
DCGII-102	0 to 30	206.84	0.2067	2.1092	830.40	61.080	1551.4	30.000	2068.4	2.0684
DCGII-103	0 to 60	413.69	0.4134	4.2184	1660.8	122.16	3102.9	60.000	4136.9	4.1369
DCGII-104	0 to 100	689.48	0.6890	7.0307	2768.0	203.60	5171.5	100.00	6894.8	6.8948
DCGII-105	0 to 200	1379.0	1.3780	14.061	5536.0	407.20	1034.3	200.00	1379.0	13.790
DCGII-106	0 to 300	2068.4	2.0670	21.092	8304.0	610.80	1551.4	300.00	2068.4	20.684
DCGII-107	0 to 500	3447.4	3.4450	35.153	1384.0	1018.0	2585.7	500.00	3447.4	34.474
DCGII-108	0 to 1000	6894.8	6.8900	70.307	2768.0	2036.0	5171.5	1000.00	6894.8	68.948
DCGII-109	0 to 2000	1379.0	13.780	140.61	5536.0	4072.0		2000.00		137.90

ACCESSORIES

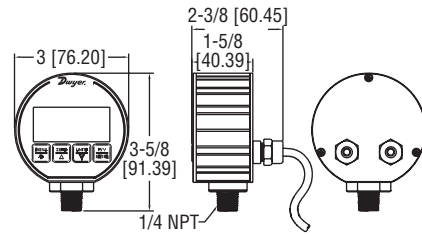
Model	Description
A-644	9 V DC power adapter
BBV-0N	2-valve block manifold
PCHP-1	Pneumatic calibration pump

OPTION

Use order code:	Description
NISTCAL-PG2	NIST traceable pressure calibration certificate

DIGITAL PRESSURE GAGE

3-in-1: Gage, Transmitter & Switch



The **SERIES DPG-200** Digital Pressure Gage has a precise $\pm 0.25\%$ full-scale accuracy. The 4 digit digital display will reduce the potential for errors in readings by eliminating parallax error commonly produced with analog gages. The DPG-200 is packaged in a durable extruded aluminum case designed to meet NEMA 4X (IP66). The unit is powered by 12 to 24 VDC/VAC and contains two alarm set points along with a 4-20 mA process output. A four-button keypad allows easy access to features. These features include backlight, peak and valley, auto zero and conversion of the pressure units. Pressure ranges also in mbar, kg/cm², oz/in², in Hg, mm Hg, ft w.c. and ft sw for various models.

FEATURES/BENEFITS

- High accuracy provides exceptional measurement minimizing costly out of specification conditions
- Backlit 4-digit display provides clear parallax-free reading reducing potential for errors
- Durable aluminum case to meet NEMA 4X (IP66) requirements supports use in harsh or outdoor environments
- Push-button zero reduce installation and service time

APPLICATIONS

- Process control
- Compressor control

MODEL CHART

Model	Range (psig)	Pressure Ranges				
		bar	ft w.c.	kPa	in w.c.	cm w.c.
DPG-200	-14.70-0	-1.013	-33.94	-101.4	-407.3	-1034
DPG-202	15.00	1.034	34.61	103.4	415.2	1055
DPG-203	30.00	2.069	69.21	206.9	830.4	2109
DPG-204	50.00	3.448	115.4	344.8	1384	3515
DPG-205	100.0	6.895	230.7	689.5	2768	7031
DPG-206	200.0	13.79	461.4	1379	5536	-
DPG-207	300.0	20.69	692.1	2069	8304	-
DPG-208	500.0	34.48	1154	3448	-	-
DPG-209	1000	68.98	2307	6895	-	-
DPG-210	3000	206.9	6921	-	-	-
DPG-211	5000	344.8	-	-	-	-

Compound range available: DPG-220 range: 30" Hg-0-15 psi.

SPECIFICATIONS

DIGITAL GAGE SPECIFICATIONS

Service: Liquids and non-combustible compatible gases.
Wetted Materials: Type 316L SS.
Enclosure: Black polycarbonate front & back cover, anodized aluminum extruded enclosure with recessed grooves, polycarbonate overlay, Buna-N O-rings, 316L SS sensor construction.
Accuracy: 0.25% FS ± 1 least significant digit (includes linearity, hysteresis, repeatability).
Pressure Limit: 2x pressure range for models ≤ 1000 psi; 5000 psi for 3000 psi range; 7500 psi for 5000 psi range.
Temperature Limits: 0 to 158°F (0 to 70°C).
Process Connection: 1/4" male NPT.
Display: 4 digit (.425" H x .234" W digits).
Size: 3.00" OD x 1.90" deep (not including cables).
Weight: 8.84 oz (275 g).

SWITCH SPECIFICATIONS

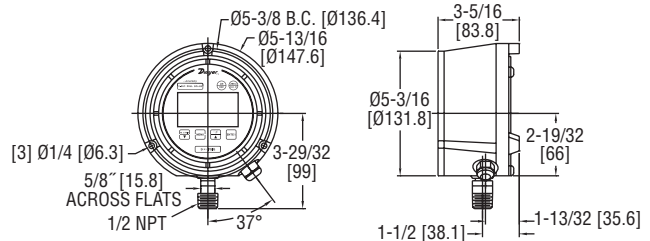
Switch Type: 2 SPDT form C contacts.
Electrical Rating: 0.5 A @ 125 VAC resistive, 1 A @ 24 VDC.
Relay Differential: 1 least significant digit.
Electrical Connections: 3 ft (.91 m) cable.
Mounting Orientation: Mount in any position.
Set Point Adjustment: Via menu.

TRANSMITTER SPECIFICATIONS

Temperature Limits: 0 to 158°F (0 to 70°C).
Thermal Effect: Between 70 to 158°F = 0.016%/°F. Between 0 to 70°F = 0.026%/°F.
Power Requirements: 12 to 24 VAC $\pm 20\%$ 50 to 400 Hz, 12 to 24 VDC $\pm 20\%$.
Output Signal: 4 to 20 mA.
Loop Resistance: 600 Ω max.
Power Consumption: 0.8 W max.
Electrical Connections: 3 ft (.91 m) cable.
Enclosure Rating: Designed to meet NEMA 4X (IP66).

DIGITAL INDICATING TRANSMITTER

$\pm 0.25\%$ Full-Scale Accuracy



The **SERIES DSGT** Digital Indicating Transmitter is a versatile multi-function process gage that features an excellent 0.25% full-scale accuracy. This all-in-one digital gage package is designed to reduce installation costs, instrument cost, and save space where an application requires a gage, transmitter, and switches. The Series DSGT gage comes standard with a loop-powered 4 to 20 mA transmitter. The Series DSGT gage is enclosed in a durable fiberglass reinforced thermoplastic case that is designed to meet NEMA 4 IP56 requirements. The gage features a menu-driven display for easy customization. User selectable features include 12 engineering units of measure, password protected calibration and disable functions, as well as an adjustable bar graph and update/dampening rates.

FEATURES/BENEFITS

- All-in-one digital gage package is designed to reduce installation costs, instrument cost, and save space where an application requires a gage, transmitter, and switches
- Durable fiberglass reinforced thermoplastic case to meet NEMA 4 (IP56) requirements supports use in harsh environments
- Password protected calibration and disable functions helps to insure no errors by untrained personnel

APPLICATIONS

- Process
- Compressor
- Outdoor
- OEM

MODEL CHART

Model	Range (psig)	Model	Range (psig)	Model	Range (psig)	Model	Range (psig)
DSGT-101-C0S	30" Hg-0 to 15	DSGT-106-C0S	0 to 100	DSGT-109-C0S	0 to 300	DSGT-116-C0S	0 to 5000
DSGT-102-C0S	30" Hg-0 to 30	DSGT-107-C0S	0 to 160	DSGT-110-C0S	0 to 600	DSGT-117-C0S	0 to 8000
DSGT-104-C0S	0 to 30	DSGT-108-C0S	0 to 200	DSGT-112-C0S	0 to 1000	DSGT-118-C0S	0 to 10000
DSGT-105-C0S	0 to 60						

SPECIFICATIONS

GAGE SPECIFICATIONS

Service: Compatible, non-combustible liquids & gases.
Wetted Materials: 17 to 4 stainless steel sensor, 316 SS socket.
Housing Materials: Fiberglass reinforced thermoplastic case.
Accuracy: 0.25% FS (includes linearity, hysteresis, repeatability).
Pressure Limit: 2 x FS range.
Process Connection: 1/2" male NPT.
Display: 5 digit (0.88" high).

TRANSMITTER SPECIFICATIONS

Power Requirements: 12 to 36 VDC (loop powered).

Memory Back Up Supply:

(2) C alkaline batteries, installed functional, user replaceable.
Output Signal: 4 to 20 mA.
Response Time: 100 ms.
Temperature Limits: 14 to 140°F (-10 to 60°C).
Thermal Effects: 0.04% FS/°F.
Electrical Connections: 3 ft flying leads.
Loop Resistance: DC: 0 to 1090 Ω max.
Set Point Adjustments: Adjustable through menu selections.
Weight: 1.45 lb (.66 kg).
Agency Approvals: CE.

OPTION

Use order code:	Description
NISTCAL-PT1	NIST traceable calibration certificate

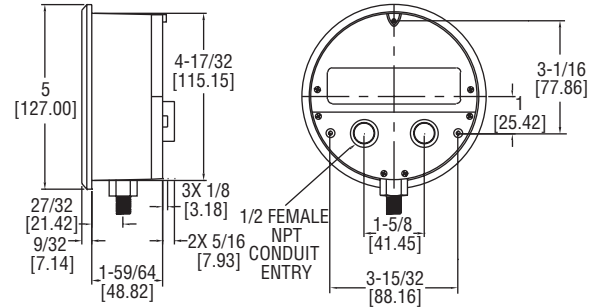
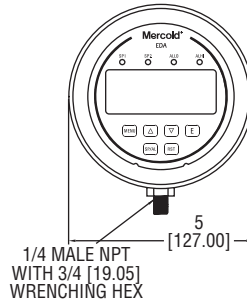


ELECTRONIC PRESSURE CONTROLLER

2 Switches, Indicating Gauge, and Transmitter in One Package



Scan here to watch product video



SERIES EDA Electronic Pressure Control is an extremely versatile compact package that can replace a separate gauge, two switches, and a transmitter in a system saving money, installation time, and panel space. The EDA incorporates two SPDT relays that have the on and off points fully adjustable over the range for control or alarm use. Front face has LED indicators for switch status and a large backlight two-line display showing process value and indication units. Programming is easy with simple menu structure, two-line display, and external programming buttons. Weatherproof housing is ideal for a wide variety of applications with panel mount, flush mount, or pipe mount ability. Features include zero set, adjustable dampening, menu lock out, peak and valley indication, removable terminal blocks, adjustable time delay, and scalable transmitter output.

FEATURES/BENEFITS

- Versatile compact package that can replace a separate gauge, two switches, and a transmitter in a system saving money, installation time, and panel space
- Fully programmable to meet simple or complex application needs
- Test mode function simulates input over the range without pressuring to easily test switches and transmitter output function
- Failsafe relay output choices in case of sensor failure, over pressure, high temperature limit, low temperature limit, or keypad short
- Selectable alternation of set points between the relays for even wear on duplex pump applications
- Weatherproof housing is ideal for a wide variety of applications with panel mount, flush mount, or pipe mount ability

APPLICATIONS

- Process control
- Compressor control
- SCFM duct flow
- Filter status
- Duct or building static pressure
- Damper and fan control

SPECIFICATIONS

Service: Compatible liquids and gases.
Wetted Materials: 316L SS.
Housing: Glass filled plastic.
Accuracy: ±1% of FS including linearity, hysteresis, and repeatability (indicator and transmitter).
Stability: < ±2% of FS per year.
Pressure Limits: 1.5 x range.
Temperature Limits: Ambient: 20 to 140°F (-6.6 to 60°C); Process: 0 to 176°F (-18 to 80°C).
Compensated Temperature Limits: 32 to 122°F (0 to 50°C).
Thermal Effect: ±0.05% of FS/°F.
Display: 4-digit backlit LCD (digits: 0.60" H x 0.33" W).
Power Requirements: 12 to 30 VDC/AC.
Power Consumption: 2.5 watts.
Electrical Connections: Removable terminal blocks with two 1/2" female NPT conduit connections.
Enclosure Rating: Meets NEMA 4X (IP66).
Warm Up Time: <10 seconds.
Mounting Orientation: Any position.
Weight: 1.18 lb (535 g).
Agency Approvals: CE, UL.

SWITCH SPECIFICATIONS

Switch Type: 2 SPDT relays.
Electrical Rating: 5 A @ 120/240VAC, 1 A @ 30 VDC.
Repeatability: ±1% of FS (switching only).
Set Points: Adjustable 0-100% of FS.
Switch Indication: External LED for each relay on the front panel.
Switch Reset: Manual or automatic.

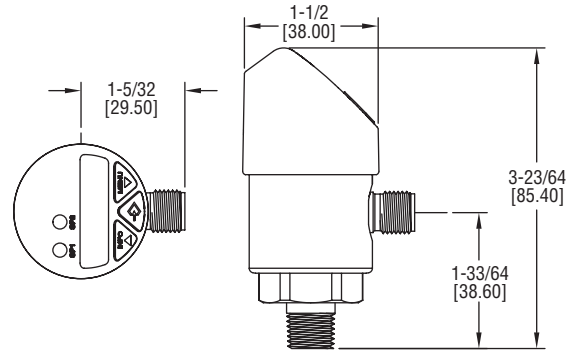
TRANSMITTER SPECIFICATIONS

Output Signal: 4 to 20 mA, 1 to 6 VDC, 1 to 5 VDC, 0 to 5 VDC, or 0 to 10 VDC (direct or reverse output selection).
Minimum Excitation: 14 VDC.
Zero and Span Adjustments: Menu scalable within the range.

MODEL CHART								
Example	EDA	W	-N1	E1	-02	T0	-AT	EDAW-N1E1-02T0-AT
Series	EDA							Electronic pressure controller
Housing		W						Weatherproof
Process Connection			N1					1/4" NPT male bottom
Electrical Connection				E1				Two 1/2" female NPT conduit connections
Range					02			0 to 20 psi
					03			0 to 60 psi
					04			0 to 100 psi
					05			0 to 150 psi
					06			0 to 300 psi
					07			0 to 600 psi
					08			0 to 1000 psi
					09			0 to 1500 psi
					10			0 to 3000 psi
	Transmitter Output						T0	
						T1		4 to 20 mA
						T2		1 to 5 VDC
						T3		0 to 5 VDC
						T4		1 to 6 VDC
						T5		0 to 10 VDC
Options						AT		Aluminum adhesive tag
						NIST		NIST certificate
						23444		Oxygen cleaning

DIGITAL PRESSURE TRANSMITTER WITH SWITCHES

Two Solid State Switches, LED Display



Scan here to watch product video

The **SERIES DPT** Digital Pressure Transmitter with Switches combines a large, 14-segment LED display with two programmable solid state switches into one compact unit. A unique, 3-way rotating design allows the DPT to meet specific installation requirements without any retrofitting. The display and electrical connection can be rotated independently to maximize visibility while still orienting the electrical connection in the best position for the cable connector. Large, ergonomically designed push buttons allow for quick/easy programming and thin-film piezoresistive sensor technology guarantees long-term reliability and stability.

FEATURES/BENEFITS

- Compact size, lightweight, and high accuracy supports multiple installation methods to support application need and footprint
- Rotating display and electrical connection to maximize visibility while orienting the electrical connection in the best position for the cable connector

APPLICATIONS

- Calibration
- Hydraulics and pneumatics
- Machine tools
- Compressors and pumps
- Machine building

SPECIFICATIONS

Service: Compatible gases, liquids or vapors.
Wetted Materials: Pressure connection: 316 L SS; Pressure sensor: 316 L SS (13-8 PH for ranges above 150 psi).
Housing: 316 L lower body, heat and chemical resistant fiberglass reinforced plastic (PBT) plastic head, TPE-E keyboard, PC display window.
Accuracy: 1.0% FS (includes non-linearity, hysteresis, zero point).
Pressure Limit: See table.
Temperature Limits: 32 to 176°F (0 to 80°C).
Process Connections: 1/4" male NPT.
Display: Red LED 4-digit (0.35" H digits).
Weight: 7 oz (0.2 kg).

SWITCH SPECIFICATIONS

Switch Type: PNP.
Electrical Rating: 250 mA.
Electrical Connections: M 12x1, 5-pin.
Mounting Orientation: Mount in any position.

TRANSMITTER SPECIFICATIONS

Temperature Limits: 32 to 176°F (0 to 80°C).
Thermal Effect: 0.2% FS / 10k.
Power Requirements: 15 to 35 VDC.
Output Signal: DPT-A: 4 to 20 mA; DPT-V: 0 to 10 VDC.
Loop Resistance: DPT-A: ≤ 0.5k; DPT-V: > 10k.
Power Consumption: ≤ 100 mA.
Electrical Connections: M 12x1, 5-pin.
Enclosure Rating: IP67.
Agency Approvals: CE.

MODEL CHART

0 to 10 VDC Model	4 to 20 mA Model	Range (psig)	Maximum Pressure (psig)	Burst Pressure (psig)	Pressure Ranges			
					bar	MPa	kPa	kg/cm ²
DPT-V00	DPT-A00	-14.5 to 0	30	75	1.034	.1034	103.4	1.055
DPT-V01	DPT-A01	0 to 15	30	75	1.034	.1034	103.4	1.055
DPT-V02	DPT-A02	0 to 25	60	150	1.724	.1724	172.4	1.758
DPT-V03	DPT-A03	0 to 30	60	150	2.068	.2068	206.8	2.109
DPT-V04	DPT-A04	0 to 50	100	250	3.447	.3447	344.7	3.515
DPT-V05	DPT-A05	0 to 100	200	500	6.895	.6895	689.5	7.031
DPT-V06	DPT-A06	0 to 160	290	500	11.03	1.103	1103	11.25
DPT-V07	DPT-A07	0 to 200	400	1500	13.79	1.378	1378	14.06
DPT-V08	DPT-A08	0 to 300	600	1500	20.68	2.068	2068	21.09
DPT-V09	DPT-A09	0 to 500	1000	2500	34.47	3.447	3447	35.15
DPT-V10	DPT-A10	0 to 1000	1740	7975	68.95	6.895	6895	70.31

OPTION

Use order code:	Description
NISTCAL-PT1	NIST traceable calibration certificate

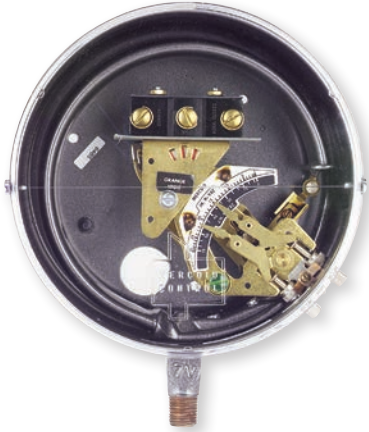
ACCESSORY

Model	Description
A-195	6' (2 m) shielded cable with 5 pin female M-12 connections

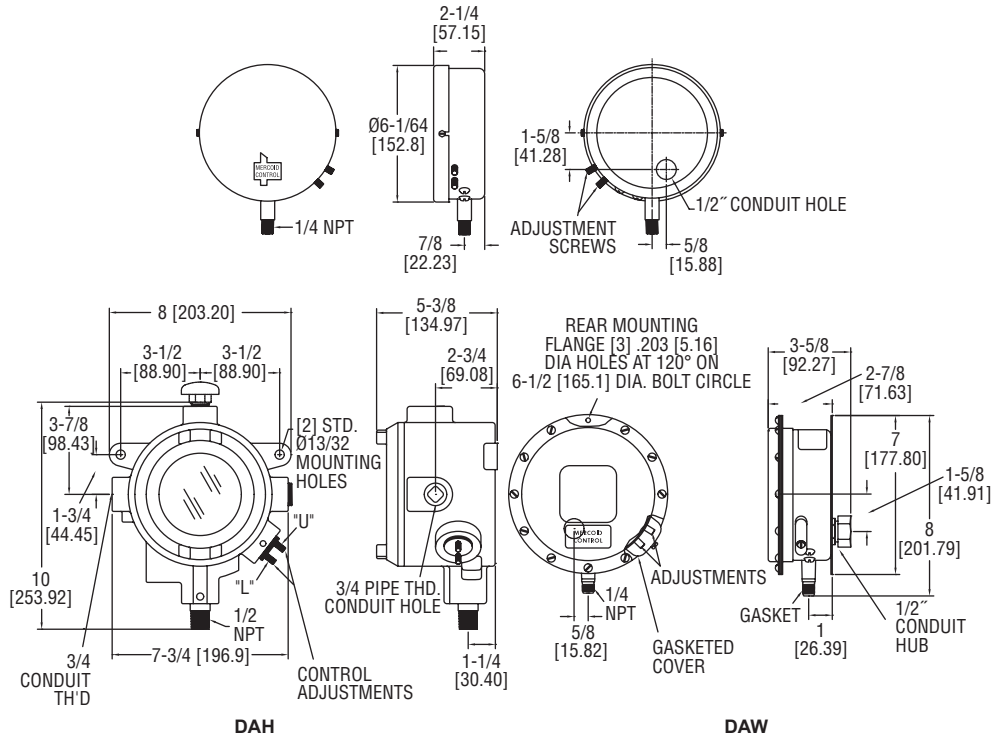
Single Pressure Gages/Switches/
Transmitters, Digital

BOURDON TUBE PRESSURE SWITCHES

Pressure Ranges to 8000 psi (551.6 bar)



Scan here
to watch
product video



Customers tell us that the **SERIES DA/DS** are the best pressure switches made. The Mercoid D Series is one of the world's broadest lines of pressure switches. The D Series has extremely high sensitivity and great repeatability. The DA Models are equipped with two external adjustments, one for setting high pressure operating point, the other for setting low pressure operating point. Deadband, the difference between high and low setpoints, is adjustable over the full-scale. The DS Models are equipped with a single external adjustment for setting operating point only. For mercury-free switches, choose between the snap action switch or hermetically sealed snap action switch. Hermetically sealed mercury switch also available.

FEATURES/BENEFITS

- Visible calibrated dial provides an easy and fast check without having to open device causing dangerous conditions to operators
- On/off indication (except hermetically sealed snap switch models) gives operator clear indication of state of switched equipment that could be located in another location
- Adjustable or fixed deadband supports control applications by reducing equipment wear-out by unnecessary recycling
- External switch set-point adjustment reduces set-up time
- Pressure ranges of full vacuum to 8000 psig gives application designers the ability to specify standard equipment, simplifying install and training, and reducing servicing costs
- UL listed, CSA approved, many models FM approved to support rigorous process applications and regulations
- General purpose, weatherproof or explosion-proof enclosures for a variety of indoor or outdoor environments meeting the needs of multiple applications and uses

APPLICATIONS

- Compressors
- Mechanical HVAC or process equipment
- Pump control

SPECIFICATIONS

Wetted Materials: Brass, 403 SS, or 316 SS.

Temperature Limit: 180°F (82°C).

Pressure Limit: Maximum pressure of the operating range.

Enclosure Rating: General purpose, weatherproof or explosion-proof.

Repeatability: ±1% of full operating range, ±1.5% on DS-7300 models.

Switch Type: SPST mercury switch, SPDT mercury switch, SPDT snap switch, or SPDT hermetically sealed snap switch. Other circuit types available.

Electrical Rating: See model charts.

Electrical Connections: Screw terminal.

Conduit Connection: General purpose: 1/2" hole for conduit hub; Weatherproof: 1/2" conduit hub; Explosion-proof: 3/4" female NPT.

Process Connection: General purpose and weatherproof: 1/4" male NPT, 1/2" male NPT on ranges 15S and 16S; Explosion-proof: 1/2" male NPT and 1/4" female NPT.

Mounting Orientation: Vertical.

Set Point Adjustment: Thumbscrew.

Weight: General purpose: 4 lb (1.8 kg); Weatherproof: 6 lb (2.7 kg); Explosion-proof: 8 lb (3.5 kg).

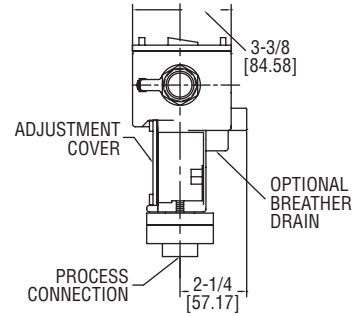
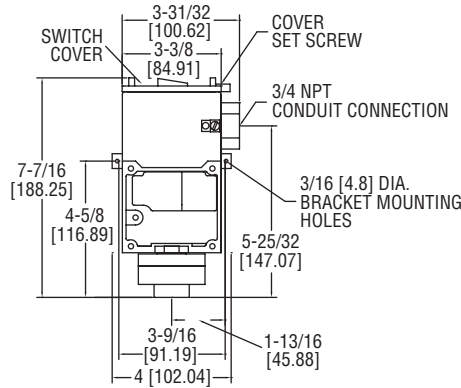
Deadband: See model chart.

Agency Approvals: CE, CSA, FM, UL (mercury switch units are not CE approved) (Consult factory for FM approved models).



DIAPHRAGM OPERATED PRESSURE SWITCHES

Visible Setpoint, Adjustable Deadband, Hermetically Sealed Snap Switch, Weatherproof and Explosion-Proof



Scan here to watch product video

The **SERIES SA1100** Diaphragm Operated Pressure Switches are weatherproof and explosion-proof in one economical enclosure. Extremely rugged construction assures excellent reliability in chemical, petroleum and industrial plants. New design also provides burst pressure protection to 3000 psi (206 bar). The rolling diaphragm design maintains a constant effective area to minimize friction. This results in a minimum deadband as low as 5% of full-scale. Since many applications require higher deadbands, the SA1100 includes a separate adjustment of this when necessary. A pump being used to control liquid level in a tank would be a typical situation where this feature would be important. Both setpoint and deadband adjustments are protected, yet clearly visible behind a clear polycarbonate window and are fully isolated from the electrical components for additional safety. A 7/16" open-end wrench is the only tool required to change settings. Terminal blocks are provided for switch wiring connections and both internal and external ground screws are included. Standard housing is weatherproof to NEMA standards 1 through 4X and 13; explosion-proof to NEMA 7, Class I, Groups B, C & D; NEMA 9, Class II, Groups E, F & G. Optional construction adds drain to meet NEMA 3R IP54.

FEATURES/BENEFITS

- Explosion-proof and weatherproof housing provides device protection for outdoor use or harsh environment operation
- Burst pressure protection prevents device failure where high-pressure surges may damage device costing down-time and repair/replacement
- Adjustable deadband reduces equipment cycling and potential failure
- Visible set-point and deadband adjustments provide an easy and fast check without having to open device causing dangerous conditions to operators

APPLICATIONS

- Chemical, petroleum, food and drug processing industries
- Used indoor, outdoor or in explosion-proof area
- Pump control

SPECIFICATIONS

Wetted Materials: See pressure chamber and diaphragm material in model chart.
***Temperature Limits:** -30 to 180°F (-35 to 82°C) standard; ATEX compliant at Ambient Temperature: -4 to 167°F (-20 to 75°C); Process Temperature: -4 to 167°F (-20 to 75°C).
Pressure Limit: 1200 psig (82.6 bar).
***Enclosure Rating:** Weatherproof and Explosion-proof. Listed with UL and CSA for Class I, Groups B, C and D; Class II Groups E, F, and G. ATEX Compliant **CE** 0344 **Ex** II 2 G EEx d IIC T6 Process Temperature 75°C. Weatherproof UL Rated Type 4. Meets NEMA 4X (IP66).

Switch Type: SPDT or DPDT snap switch.
Electrical Rating: See model chart.
Electrical Connections: Screw terminal.
Conduit Connection: 3/4" female NPT.
Process Connection: 1/2" female NPT.
Mounting Orientation: Within 20° of vertical.
Set Point Adjustment: Internal 7/16" hex nuts.
Weight: 3.5 lb (1.6 kg).
Deadband: See deadband chart.
***Agency Approvals:** ATEX, CE, CSA, UL.

*Options that do not have ATEX

SWITCH DEADBAND CHART

Range Number	Adjustable Operating Range		Approximate Minimum Deadband				Approximate Maximum Deadband	
			Low		High			
	psig	bar	psig	bar	psig	bar	psig	bar
11	10-150	0.7-10	4.0	0.28	7.5	0.52	75	5.2
12	20-250	1.4-17.2	5.0	0.35	12.5	0.86	150	10
13	30-500	2.0-34	12	0.83	45	3.1	300	21

MODEL CHART

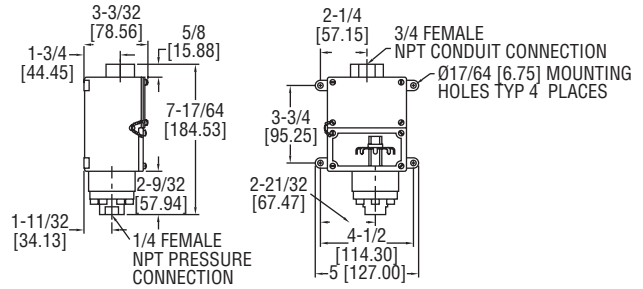
Example	SA11	13	E	-A	4	-K	2		SA1113E-A4-K2
Construction	SA11								Series designator, weatherproof NEMA 4X, explosion-proof NEMA 7, 9
Adjustable Pressure Ranges		11 12 13							Adjustable range 10 to 150 psig (0.7-10 bar) Adjustable range 20 to 250 psig (1.4-17.2 bar) Adjustable range 30 to 500 psig (2.0-34.0 bar)
Circuit (Switch) Options			E HS HG						Snap action switch rated 15 A @ 125/250/480 VAC, 1/8 HP @ 125 VAC, 1/4 HP @ 250 VAC, 1/2 A @ 125 VDC resistive, 1/4 A @ 250 VDC resistive Hermetically sealed snap action switch rated 5 A @ 125/250 VAC, 5 A resistive @ 30 VDC* Hermetically sealed snap action switch with gold contacts rated 1A @ 125 VAC, 1 A resistive @ 30 VDC*
Pressure Chamber Material (Wetted)				A S					Aluminum 316 SS
Diaphragm Material (Wetted)					4 5				Buna-N diaphragm and O-ring Fluorocarbon diaphragm and O-ring
Circuit (Switch) Type						K L			SPDT DPDT (not available with HS or HG switch options)
Process Connection							2		1/2 inch female NPT
*Options								AT DRAIN	ATEX certified construction Housing with drain - allows condensate to be drained from inside enclosure (meets NEMA 3R instead of 4X)

*Options that do not have ATEX

Examples:
SA1111E-A4-K2
SA1111E-S5-K2

WEATHERPROOF DIAPHRAGM OPERATED PRESSURE SWITCHES

Visible Setpoint, Fixed Deadband, Pressure Ranges to 1400 psi



With extremely rugged construction the **SERIES 1000W** provides excellent reliability in chemical, petroleum and industrial plants. Bellville spring movement permits mounting of control in any position and helps prevent contact chatter. New design also provides high over-pressure protection. Weatherproof housing is standard.

FEATURES/BENEFITS

- Weatherproof housing is ideal for a wide variety of applications where dust or water is present
- Spring movement design provides for control in any mounting position and prevents contact chatter reducing false or inconsistent switching

APPLICATIONS

- Chemical, petroleum, food and drug processing industries
- Process and Industrial applications

SPECIFICATIONS

Wetted Materials: See pressure chamber and diaphragm material in model chart.
Temperature Limits: -30 to 170°F (-35 to 77°C).
Pressure Limit: 3000 psig (206.8 bar).
Enclosure Rating: Weatherproof, meets NEMA 4X (IP66).
Switch Type: SPDT snap switch.
Electrical Rating: 15 A @ 125/250 VAC resistive.

Electrical Connections: Screw type.
Conduit Connection: 3/4" female NPT.
Process Connection: 1/4" female NPT.
Mounting Orientation: Any position.
Set Point Adjustment: Internal thumbwheel.
Weight: 3 lb (1.4 kg).
Deadband: See model chart.
Agency Approvals: CE, UL.

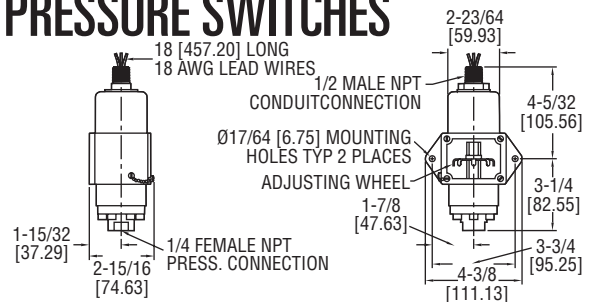
MODEL CHART

Aluminum Pressure Chamber Polyamide Diaph. Model	316 SS Pressure Chamber FEP Diaph. Model	Adjustable Operating Range psig (bar)	Approx.* Deadband (Fixed) psig (bar)
1003W-A1-D	1003W-B3-D	5 to 40 (.48 to 2.8)	2 (.14)
1004W-A1-D	1004W-B3-D	10 to 70 (.69 to 4.8)	4 (.28)
1005W-A1-D	1005W-B3-D	25 to 200 (1.7 to 13.8)	8 (.55)
1006W-A1-D	1006W-B3-D	50 to 350 (3.5 to 24.1)	15 (1.0)
1007W-A1-D	1007W-B3-D	75 to 550 (5.2 to 37.9)	30 (2.1)
1008W-A1-D	1008W-B3-D	100 to 900 (6.9 to 62.1)	50 (3.5)
1009W-A1-D	1009W-B3-D	200 to 1400 (13.8 to 96.5)	75 (5.2)

*Deadband 10-15% larger when using 316 SS diaphragm.
Note: To order, change A1 to B2 for 316 SS diaphragm and pressure chamber.
Example: 1003W-B2-D. Values shown are for mid-scale.

EXPLOSION-PROOF DIAPHRAGM OPERATED PRESSURE SWITCHES

Visible Setpoint, Fixed Deadband, Pressure Ranges to 1400 psi



The **SERIES 1000E** has the same rugged construction as used in Series 1000W plus explosion-proof design are combined in this new unit. UL listed for Class I, Groups A, B, C & D; Class II, Groups E, F & G. Bellville spring movement permits mounting of control in any position and helps prevent contact chatter. High over-pressure protection and vibration resistance are also featured.

FEATURES/BENEFITS

- Weatherproof housing is ideal for a wide variety of applications where dust or water is present
- Spring movement design provides for control in any mounting position and prevents contact chatter reducing false or inconsistent switching
- UL listed to support rigorous process applications and regulations

APPLICATIONS

- Chemical, petroleum, food and drug processing industries
- Process and industrial applications

SPECIFICATIONS

Wetted Materials: See pressure chamber and diaphragm material in model chart.
Temperature Limits: -30 to 170°F (-35 to 77°C).
Pressure Limit: 3000 psig (206.8 bar).
Enclosure Rating: Explosion-proof, UL listed for Class I, Groups A, B, C and D; Class II, Groups E, F, and G.
Switch Type: SPDT snap switch. Hermetically sealed optional.
Electrical Rating: 15 A @ 125/250/480 VAC res., 0.5 A @ 125 VDC, 0.25 A @ 250 VDC.

Wiring Connections: 18 AWG, 18" (460 mm) color-coded leads: N.O. (yellow), N.C. (black), and common (red).
Conduit Connection: 1/2" male NPT.
Process Connection: 1/4" female NPT.
Mounting Orientation: Any position.
Set Point Adjustment: Internal thumbwheel.
Weight: 3 lb (1.4 kg).
Deadband: See model chart.
Agency Approvals: CE, UL.

MODEL CHART

Aluminum Pressure Chamber Polyamide Diaph. Model	316 SS Pressure Chamber FEP Diaph. Model	Adjustable Operating Range psig (bar)	Approx.* Deadband (Fixed) psig (bar)
1003E-A1-J	1003E-B3-J	5 to 40 (.48 to 2.8)	2.5 (.17)
1004E-A1-J	1004E-B3-J	10 to 70 (.69 to 4.8)	5 (.34)
1005E-A1-J	1005E-B3-J	25 to 200 (1.7 to 13.8)	10 (.69)
1006E-A1-J	1006E-B3-J	50 to 350 (3.5 to 24.1)	18 (1.2)
1007E-A1-J	1007E-B3-J	75 to 550 (5.2 to 37.9)	36 (2.5)
1008E-A1-J	1008E-B3-J	100 to 900 (6.9 to 62.1)	60 (4.1)
1009E-A1-J	1009E-B3-J	200 to 1400 (13.8 to 96.5)	90 (6.2)

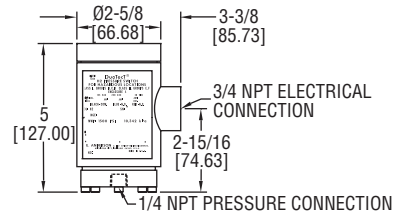
*Deadband 10-15% larger when using 316 SS diaphragm.
Note: To order, change A1 to B2 for 316 SS diaphragm and pressure chamber.
Example: 1003E-B2-J. Values shown are for mid-scale.

DUAL-ACTION EXPLOSION-PROOF PRESSURE SWITCHES

Explosion-proof and Weatherproof Enclosure



Scan here to watch product video



Explosion-Proof, UL & CSA Listed for Class I, Groups B, C & D and Class II, Groups E, F & G. The **SERIES H2** is designed for sequencing two different actions as pressure of a liquid or gas increases or decreases. The design consists of two concentric pistons operated by a single diaphragm with one pressure chamber. Each piston actuates a separate switch independent of the other. The switches may be adjusted to operate together, at opposite ends of the range or at two intermediate set points. The threaded top is removed to field adjust or service switches without disturbing electrical or pressure connections. The Duotect® switch is explosion-proof and weatherproof. It can be mounted in any position and is not affected by vibration.

FEATURES/BENEFITS

- Explosion-proof and weather-proof housing provides device protection for outdoor use or harsh environment operation
- UL listed, CSA approved to support rigorous process applications and regulations
- Independent piston action design for either gas or liquid allows switches to active together or independently based on settings
- Mounting in any position and not affected by vibration provides reliable switching for equipment

APPLICATIONS

- Mechanical HVAC or process equipment
- Chemical, petroleum, food and drug processing industries
- Process and Industrial applications

SPECIFICATIONS

Wetted Materials: 316 SS chamber with FEP diaphragm and Buna-N O-ring standard. Fluoroelastomer or EPDM O-ring optional.
Temperature Limit: 275°F (135°C). CSA approved: -20 to 90°C (-4 to 184°F).
Pressure Limit: 1500 psig (103 bar).
Enclosure Rating: UL listed explosion-proof, Class I, Groups B, C, and D. Class II Groups E, F, and G. Meets NEMA 4X (IP66). CSA optional. Class I, Groups B, C & D. Class II, Groups E, F, & G -20°C ≤ Tamb ≤ 75°C T6 [optional -20°C ≤ Tamb ≤ 40°C T5] Type 4.

Switch Type: Two SPDT snap switches.
Electrical Rating: 5 A @ 125/250 VAC. 5 A res., 3 A ind. @ 30 VDC. Gold contacts or 10 A switch optional.
Electrical Connections: 18 AWG, 18" (460 mm) long.
Conduit Connection: 3/4" female NPT.
Process Connection: 1/4" female NPT.
Mounting Orientation: Any position.
Set Point Adjustment: Internal nut.
Weight: 2 lb (.9 kg).
Deadband: Approximately 10% of range.
Agency Approvals: CSA, UL.

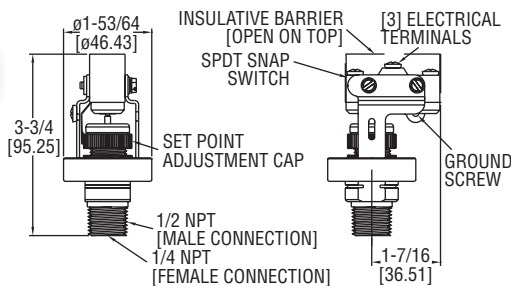
MODEL CHART

Model	Low Range psig (bar)	High Range psig (bar)
H2S-1	3 to 40 (0.21 to 2.76)	5 to 75 (0.35 to 5.17)
H2S-2	25 to 250 (1.72 to 17.2)	30 to 400 (2.07 to 27.6)
H2S-3	100 to 1000 (6.89 to 68.9)	150 to 1500 (10.3 to 103)

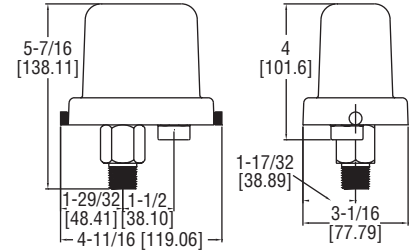


LOW COST OEM PRESSURE SWITCH

Field Installable Weatherproof Enclosure



A1F



A1F with weatherproof enclosure

Low cost and precision made, the **SERIES A1F** Pressure Switch is ideal for OEM industrial applications. Wetted materials of 316 SS and fluorocarbon ensure great chemical compatibility with a wide range of process media. The open case style is perfect for panel mounting applications like pump skids. Weatherproof enclosure is available in polycarbonate offering a low cost weatherproof switch. Superior 15 A contact allows direct control of motors or pumps without the use of external relays, a true cost savings. Features include a convenient indicating scale for quick and easy field adjustment.

FEATURES/BENEFITS

- 15 A contact allows direct control reducing costs and reliability by having to introduce additional contacts and relays
- Case style allows use for panel mounting application with optional weather-proof enclosure for use in outdoor environments
- Field adjustable reduces installation time bring application on-line faster
- Wetted material provides support for wider range of process media

APPLICATIONS

- OEM
- Compressors
- Motor control
- Process equipment
- Pump control

SPECIFICATIONS

Service: Compatible liquids and gases.
Wetted Materials: Pressure chamber: 316 SS; Diaphragm: Fluorocarbon.
Temperature Limit: -40 to 175°F (-40 to 80°C).
Pressure Limits: 750 psig (51 bar).
Enclosure Rating: No rating for open construction. Installed properly within an optional weatherproof enclosure meets NEMA 4X (IP66) standards.
Switch Type: SPDT snap switch.
Electrical Rating: 15 A @ 120/240/480 VAC; 1/8 HP @ 125 VAC; 1/4 HP @ 250 VAC.

Electrical Connection: Screw terminals.
Process Connection: 1/4" female NPT and 1/2" male NPT.
Mounting Orientation: Within 20° of vertical.
Set Point Adjustment: Knurled screw cap with indicating scale.
Deadband: Fixed. See deadband chart.
Weight: 10.5 oz (297 g).
Agency Approvals: cUL, UL.

MODEL CHART

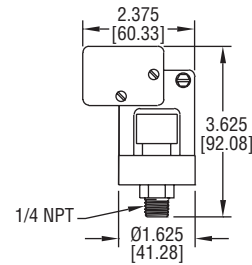
Model	Range psg (bar)	Deadband at Min. Range psg (bar)	Deadband at Max. Range psg (bar)
A1F-O-SS-1-1	2 to 15 (0.14 to 1.03)	2 (0.14)	3 (0.21)
A1F-O-SS-1-2	4 to 75 (0.28 to 5.17)	4 (0.27)	15 (1.0)
A1F-O-SS-1-3	8 to 225 (0.55 to 15.5)	8 (0.55)	25 (1.7)
A1F-O-SS-1-4	16 to 450 (1.1 to 31.0)	15 (1.0)	50 (3.5)

Note: Optional enclosure factory installed. To order, change O to PC.

Example: A1F-PC-SS-1-1

ECONOMICAL PRESSURE SWITCH

Vacuum and Compound Ranges Available, Adjustable Set Point



SERIES A1PS/A1VS Economical Pressure Switches are designed with a 15 Amp SPDT switch for direct control of pumps and motors. Available in pressure, vacuum, or compound ranges, the switches offer a field adjustable set point. Easily adjust the switch by aligning the top of the self locking adjusting nut with the desired setting indicated on the adjacent range scale. Connection is 1/4" male NPT for quick installation and can be mounted in any position.

FEATURES/BENEFITS

- 15 A contact allows direct control reducing costs and reliability by having to introduce additional contacts and relays
- Field adjustable reduces installation time bring application on-line faster

APPLICATIONS

- OEM
- Process equipment
- Compressors
- Motor control
- Pump control

SPECIFICATIONS

Service: Compatible liquids or gases.
Wetted Materials: Diaphragm: Buna-N;
 Body with fitting: Zinc alloy, chromate finish.
Temperature Limits: -31 to 185°F (-35 to 85°C).
Pressure Limits: 600 psig.
Vacuum Limits: 29.9" Hg (vacuum and compound models only).
Switch Type: SPDT snap action.

Electrical Ratings: 15 A (resistive) @ 250 VAC, 1/2 HP @ 250 VAC.
Electrical Connections: Three screw terminals.
Process Connection: 1/4" male NPT.
Set Point: Field adjustable via knurled screw cap.
Cycling: Not to exceed 1 Hz.
Sensor Element: Diaphragm.
Weight: 7.4 oz (209 g).
Agency Approvals: UL.

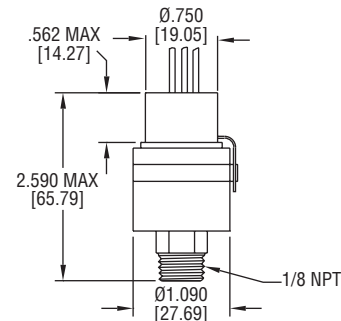
MODEL CHART

Model	Set Point Range (kPa)	Repeatability (kPa)	Deadband (approx.) (kPa)	Model	Set Point Range (kPa)	Repeatability (kPa)	Deadband (approx.) (kPa)
A1PS-14	1.5 to 3.5 psi (10 to 24)	±0.15 psi (1)	0.5 to 1.7 psi (3 to 11)	A1VS-14	6-28" Hg (-20 to -94)	±1.2" Hg (-4)	3-14" Hg (-10 to -47)
A1PS-24	3 to 40 psi (21 to 276)	±1.0 psi (7)	2 to 5 psi (14 to 34)	A1VS-24	28" Hg to 3.5 psig (-94 to 24)	±1.2" Hg (-4), ±0.15 psi (1)	6" Hg - 1.5 psi (-20 to 10)
A1PS-34	30 to 150 psi (207 to 1034)	±5.0 psi (34)	5 to 30 psi (34 to 207)				
A1PS-44	100 to 500 psi (689 to 3445)	±20.0 psi (138)	30 to 120 psi (207 to 827)				



ADJUSTABLE PRESSURE SWITCH

Vacuum and Pressure Ranges, 5 A Switch, Compact Size



Miniature **SERIES APS/AVS** Adjustable Switches offer reliable switching for pressure/vacuum alarm, shutdown or control. The units are readily adjustable throughout their range using the locking adjusting ring and indicating pointer. The body is constructed of stainless steel for durability in harsh environments. Switches include 12" (30 cm) wire leads sealed with epoxy for additional protection.

FEATURES/BENEFITS

- Field adjustable with simple indicating pointer reduces installation time bring application on-line faster
- Stainless steel construction provides a durable solution in harsh environments

APPLICATIONS

- OEM
- Process equipment
- Compressors
- Motor control
- Pump control

SPECIFICATIONS

Service: Compatible liquids or gases.
Wetted Materials: Capsule: 17-7 PH SS; Fitting: 303 SS.
Temperature Limits: -65 to 225°F (-54 to 107°C), a set point change of up to 2% when used below -10°F (-23°C) or above 125°F (52°C).
Pressure/Vacuum Limits: 150% of range.
Switch Type: SPDT snap action.

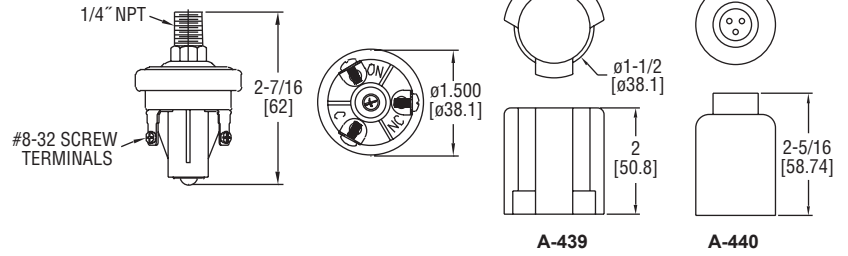
Electrical Ratings: 5 A @ 250 VAC, 3 A @ 28 VDC.
Electrical Connections: 3-wire, 20 AWG insulated with PVC, 12" (30 cm) length.
Process Connection: 1/8" male NPT.
Set Point: Field adjustable.
Cycling: Not to exceed 20 CPM.
Sensor Element: Capsule.
Weight: 3 oz (85 g).
Agency Approval: UR.

MODEL CHART

Model	Set Point Range psi (bar)		Repeatability psi (bar)	Deadband psi (bar)	Model	Set Point Range "Hg (cm Hg) VAC		Repeatability "Hg (cm Hg)
	Decreasing	Increasing				Decreasing	Increasing	
APS-150	0.8 to 28.5 (.06 to 2.0)	1.6 to 30.0 (.11 to 2.1)	±0.6(.04)	0.8 to 1.3 (.06 to .09)	AVS-150	1.6 to 27.1 (4.1 to 68.6)	2.7 to 28.2 (6.9 to 71.6)	±1.2 (3.1)
APS-250	2.0 to 48.0 (.14 to 3.3)	3.0 to 50.0 (.21 to 3.5)	±1.0(.07)	1 to 1.7 (.07 to .12)	AVS-250	4.0 to 24.8 (10.2 to 63.0)	5.1 to 28.2 (13.0 to 71.6)	±2.0 (5.1)
APS-350	3.0 to 96.5 (.21 to 6.7)	4.5 to 100 (.31 to 6.9)	±2.0(.14)	1.6 to 4 (.11 to .28)	AVS-350	6.0 to 21.5 (15.2 to 54.6)	8.4 to 28.2 (21.3 to 71.6)	±4.0 (10.2)
APS-450	7.5 to 242 (.52 to 16.7)	9.7 to 250 (.67 to 17.2)	±5.0(.35)	2.5 to 9 (.17 to .62)				
APS-550	15.0 to 485 (1.0 to 33.4)	20.0 to 500 (1.4 to 34.5)	±10.0(.69)	5 to 22 (.35 to 1.5)				

DURABLE PRESSURE SWITCH

Designed for Extended Duty, Simple and Reliable



SERIES A6 Durable Pressure Switches have been specifically designed to stand up to extended duty applications. These switches are constructed with a polyimide film diaphragm and are compatible with a variety of fluids. For ease of installation, the switches come with a 1/4" male NPT process connection and can be mounted in any orientation. The Series A6 pressure switches are compact and have great set-point integrity, and feature simple, easy set-point field adjustment.

FEATURES/BENEFITS

- High switch cycle means long life for extended duty applications
- Mounting in any position and feature simple makes a reliable switching for equipment and OEM applications

APPLICATIONS

- OEM
- Process equipment
- Process applications

Model	Set Point Range psi (bar)	
	NC	NO
A6-153221	0.5 to 1 (0.03 to 0.07)	1.1 to 3.1 (0.08 to 0.21)
A6-253221	1.1 to 3 (0.08 to 0.21)	2.27 to 6.05 (0.16 to 0.42)
A6-353221	3.1 to 7 (0.21 to 0.48)	4.22 to 10.75 (0.29 to 0.74)
A6-453221	8 to 13 (0.55 to 0.90)	12.3 to 17.5 (0.85 to 1.21)
A6-553221	14 to 24 (0.97 to 1.66)	18.6 to 31.8 (1.28 to 2.19)
A6-653221	25 to 50 (1.73 to 3.45)	33.1 to 61 (2.28 to 4.21)
A6-753221	51 to 90 (3.52 to 6.21)	65.6 to 112.3 (4.53 to 7.75)
A6-853221	91 to 150 (6.28 to 10.35)	114.7 to 198.3 (7.94 to 13.68)

SPECIFICATIONS

Service: Air, motor oils, transmission oils, jet fuels, and similar hydrocarbon media.
Wetted Materials: Base: 304 SS; Diaphragm: Polyamide film.
Temperature Limits: -40 to 248°F (-40 to 120°C).
Pressure Limits: Operating pressure: 150 psi (10.3 bar) for 0.5-24 psi set point ranges, 250 psi (17.2 bar) for 25 to 150 psi set-point ranges; Proof pressure: 500 psi (34.5 bar); Burst pressure: 750 psi (51.7 bar) for 0.5-24 psi set point ranges, 1250 psi (86.2 bar) for 25-150 psi set point ranges.
Enclosure Rating: General purpose or with cover: IP65 - weatherproof.

Repeatability: ±10% of set point.
Set Point Tolerance: ±15% of range.
Switch Type: 1 SPST NO, 1 SPST NC. NO and NC switch independent from each other.
Electrical Ratings: Resistive: 15 A @ 6 VDC, 8 A @ 12 VDC, 4 A @ 24 VDC; Inductive: 1 A @ 120 VAC, 0.5 A @ 240 VAC.
Electrical Connections: #8-32 screw terminals.
Process Connection: 1/4" NPT male.
Mounting Orientation: Switch can be installed in any position.
Set-point Adjustment: Screw.
Weight: 0.13 lb (0.06 kg).
Agency Approval: CE.

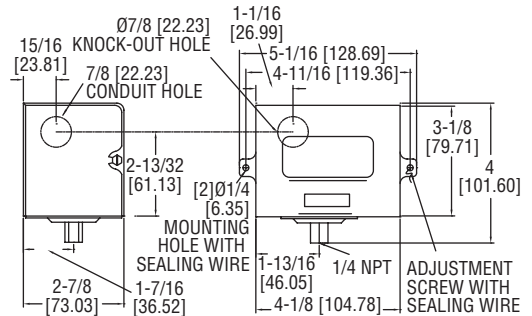
ACCESSORIES

Model	Description
A-439	Weatherproof IP65 cover
A-440	Weatherproof IP65 with fly-wire holes



DIAPHRAGM OPERATED PRESSURE SWITCHES

Visible Setpoint Adjustment, Compact



Reliable and convenient, **SERIES AP** pressure switch is a compact switch. Reliable and convenient, series AP pressure switch is a compact switch for instrument air or other low pressure applications. Visible set point and external adjustment add convenience. Used on air, non-corrosive gas or liquid service compatible with wetted parts. Units are available in weather-proof and explosion-proof housing.

FEATURES/BENEFITS

- Explosion-proof and weatherproof housing provides device protection for outdoor use or harsh environment operation
- External switch set point adjustment reduces set-up time

APPLICATIONS

- Low pressure applications
- Instrument air

SPECIFICATIONS

Wetted Materials: Nylon reinforced Buna-N and steel. PTFE and 316 SS optional.
Temperature Limits: -30 to 150°F (-35 to 66°C).
Pressure Limit: See model chart.
Enclosure Rating: General purpose. Weatherproof and explosion-proof optional.
Switch Type: SPDT mercury switch or SPDT snap switch. Other switch types available.
Electrical Rating: Mercury switch: 4 A @ 120 VAC/DC, 2 A @ 240 VAC/DC; Snap switch: 15 A @ 120 VAC, 8 A @ 240 VAC, 0.5 A @ 120 VDC, 0.25 A @ 240 VDC.

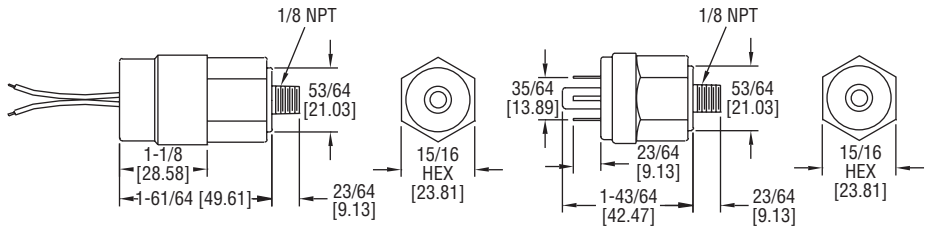
Electrical Connections: Screw terminal. **Conduit Connection:** 7/8" (22.23 mm) hole for 1/2" (12.7 mm) conduit hub.
Process Connection: 1/4" female NPT.
Mounting Orientation: Vertical for mercury switch models, any position for snap switch models.
Set Point Adjustment: External screw.
Weight: General purpose: 2 lb (0.9 kg).
Deadband: See model chart.
Agency Approvals: CE, FM, UL. For FM consult factory. (Mercury switch units are not CE approved.)

Model	Switch* Type SPDT	Ranges	Switch Deadband		Max. Press. psig(bar)
			Low	High	
AP-153-33	Mercury	10 in vac to 50 in w.c. (2.5 to 12.4 kPa)	5 in w.c. (1.2 kPa)	6 in w.c. (1.49 kPa)	15 (1.03)
AP-153-37	Mercury	1 to 30 psig (.07 to 2.1 bar)	0.4 psig (0.03 bar)	0.75 psig (0.05 bar)	60 (4.14)
AP-153-39	Mercury	10 to 125 psig (.69 to 8.6 bar)	2 psig (0.14 bar)	6 psig (0.04 bar)	160 (11.0)
AP-7021-153-33	Snap	10 in vac. to 50 in w.c. (2.5 to 12.4 kPa)	8 in w.c. (2.0 kPa)	10 in w.c. (2.49 kPa)	15 (1.03)
AP-7021-153-37	Snap	1 to 30 psig (.07 to 2.1 bar)	0.75 psig (0.05 bar)	1.5 psig (0.10 bar)	60 (4.14)
AP-7021-153-39	Snap	10 to 125 psig (.69 to 8.6 bar)	3 psig (0.21 bar)	7 psig (0.48 bar)	160 (11.0)

*Mercury switch units are not CE approved.

SUBMINIATURE PRESSURE SWITCH

Field Adjustable



Designed for OEM applications, the **SERIES A2** is economical and is equipped with high proof pressure capabilities for demanding applications. The A2 is available with either spade terminals or flying leads (submersible). Switches with spade terminals can be easily adjusted in the field.

FEATURES/BENEFITS

- High-proof pressure means capable to meet application demands.
- Easy to adjust switches means shorter install and service times.

APPLICATIONS

- OEM

SPECIFICATIONS

Service: Compatible liquids and gases.
Wetted Materials: Polyamide film and brass.
Temperature Limits: -40 to 250°F (-40 to 121°C).
Pressure Limits: 500 psi (34 bar).
Enclosure Rating: IP66 (flying lead models only).
Repeatability: ±5% of highest set point.
Switch Type: SPST, 100 VA, 42 V.
Electrical Connection: 1/4" (6.3 mm) spade terminals or flying leads.
Process Connection: 1/8" male NPT.
Weight: 0.14 lb (0.06 kg).
Deadband: 1 to 2 psi (0.07 to 0.14 bar).
Agency Approvals: CE.

MODEL CHART

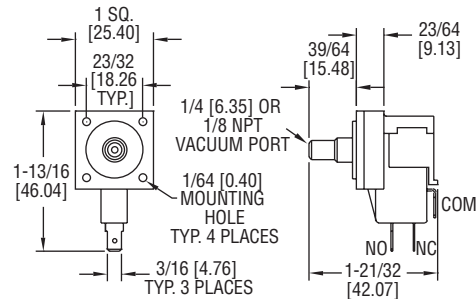
Model	Range psi (bar)	Electrical Connection	NO/NC	Model	Range psi (bar)	Electrical Connection	NO/NC
A2-2801	5-25 (.48-1.72)	Spade terminals	NO	A2-3811	20-60 (1.4-4.1)	Spade terminals	NC
A2-28032*	5-25 (.48-1.72)	Flying leads	NO	A2-38132*	20-60 (1.4-4.1)	Flying leads	NC
A2-2811	5-25 (.48-1.72)	Spade terminals	NC	A2-4801	50-150 (3.5-10.3)	Spade terminals	NO
A2-28132*	5-25 (.48-1.72)	Flying leads	NC	A2-48032*	50-150 (3.5-10.3)	Flying leads	NO
A2-3801	20-60 (1.4-4.1)	Spade terminals	NO	A2-4811	50-150 (3.5-10.3)	Spade terminals	NC
A2-38032*	20-60 (1.4-4.1)	Flying leads	NO	A2-48132*	50-150 (3.5-10.3)	Flying leads	NC

*Flying lead models are not field adjustable. Set point must be given at time of order. **Note:** To order, add suffix -PRESET and indicate the set point desired (must be in the set point range) in psi units and whether the trip point is on an increase "I" or decrease "D". **Example:** A2-28032-PRESET 5 psi I.



MINIATURE VACUUM SWITCH

SPDT N/O or N/C Switch, Adjustable Set Point, Ideal for OEM's



Compact, lightweight, and adjustable, the **SERIES MVS** Miniature Vacuum Switch is specially designed for OEM applications. This low cost switch has a minimum life expectancy of 10 million cycles and has an extremely fast response time. Typical applications for the MVS are HVAC, home appliance, dairy systems, medical, office equipment, and pump control.

FEATURES/BENEFITS

- High switch cycle means long life for extended duty applications

APPLICATIONS

- OEM
- HVAC applications
- Medical equipment
- Dairy equipment
- Pump control

MODEL CHART

Model	Set Point in H ₂ O (mbar)	
	Minimum	Maximum
MVS-1	3 (8)	8 (20)
MVS-2	9 (21)	80 (199)
MVS-3	81 (200)	330 (822)
MVS-4*	3 (8)	8 (20)
MVS-5*	9 (21)	80 (199)
MVS-6*	81 (200)	330 (822)

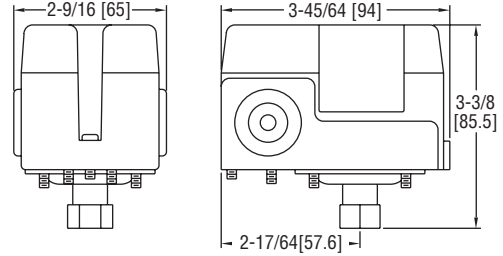
*Models have 1/8" male NPT process connections

SPECIFICATIONS

Service: Air or compatible fluids.
Wetted Materials: Enclosure: Polycarbonate; Diaphragm: Polyurethane.
Temperature Limits: 40 to 150°F (4 to 66°C).
Pressure Limits: Up to maximum range.
Repeatability: ±20%.
Switch Type: SPDT normally open or normally closed.
Electrical Rating: Range 3 to 8 in w.c.: 3 A, 125/250 VAC; Range 9 to 80 in w.c.: 10 A, 125/250 VAC; Range 81 to 330 in w.c.: 15 A, 125/250 VAC.
Contacts: Silver with brass terminals.
Electrical Connections: Terminals 0.187" x 0.20" spade for use with quick disconnects.
Process Connections: Models MVS 1 to MVS 3: Smooth port 0.25" diameter; Models MVS 4 to MVS 6: 1/8" male NPT.
Mounting: Use #2 screws through eyelets.
Weight: Less than 0.671 oz (19 g.)
Agency Approval: cULus.

WATER PUMP PRESSURE SWITCH

Simple, Reliable, Adjustable Set Point and Deadband



The **SERIES CXA** Water Pump Pressure Switches have been proven reliable for controlling automatic water systems. These switches are very popular for use on water well pumps and pumping systems. The set point and dead-band are both easily adjustable via screws inside the cover. For ease of installation, the switches come with a 1/4" female NPT process connection and can be mounted in any orientation. The series CXA's simple design makes it a great switch for an installer at any skill level.

FEATURES/BENEFITS

- The set point and deadband are both easily adjustable reducing time to install and operation
- Mounting in any position and feature simple makes a reliable switch that can be installed by any skill level

APPLICATIONS

- Electric water pumps
- Water system applications
- Well pumps
- Pumping systems

SPECIFICATIONS

Service: Compatible liquids and gases.
Wetted Materials: Silicone, steel, and SS.
Temperature Limits: 140°F (60°C).
Pressure Limits: See model chart.
Enclosure Rating: General purpose.
Repeatability: ±5 psig (±0.3 bar).
Switch Type: DPST snap action (see model chart).
Electrical Ratings: 20 A @ 120 VAC, 12 A @ 240 VAC, 9.6 A @ 240 VAC (3 phase), 8.6 A @ 32 VDC, 3.1 A @ 120 VDC, 1.6 A @ 240 VDC.

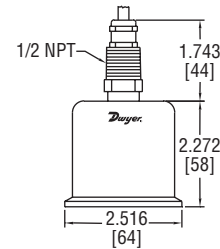
Electrical Connections: Screw terminal.
Conduit Connection: 7/8" hole for 1/2" conduit hub (2 places).
Process Connection: 1/4" female NPT.
Mounting Orientation: Switch can be installed in any position.
Set Point Adjustment: Internal screws.
Weight: 0.75 lb (0.34 kg).
Deadband: See model chart.
Agency Approvals: CE.

MODEL CHART

Model	Switch Type	Range psig (bar)	Approx. Adjustable Deadband psig (bar)	Max. Pressure psig (bar)
CXA-S1	NC	15 to 80 (1.0 to 5.5)	15 to 30 (1.0 to 2.1)	129 (8.9)
CXA-S2	NC	30 to 100 (2.1 to 6.9)	20 to 35 (1.4 to 2.4)	179 (12.3)
CXA-S3	NC	35 to 150 (2.4 to 10.3)	30 to 40 (2.1 to 2.8)	204 (14.1)
CXA-R1	NO	15 to 80 (1.0 to 5.5)	15 to 30 (1.0 to 2.1)	129 (8.9)
CXA-R2	NO	30 to 100 (2.1 to 6.9)	20 to 35 (1.4 to 2.4)	179 (12.3)
CXA-R3	NO	35 to 150 (2.4 to 10.3)	30 to 40 (2.1 to 2.8)	204 (14.1)

SANITARY PRESSURE TRANSMITTER

No Liquid Fill Diaphragm, Sanitary Clamp Fitting



The **SERIES 681** Sanitary Pressure Transmitter is designed to meet 3A standards for applications in food, dairy, beverage and pharmaceutical processing, liquid level control, and sanitary pipelines. The unit is fully sealed to withstand high pressure wash-down in Clean-in-Place (CIP) and Sterilize-in-Place (SIP) installations. The Series 681 is designed with a unique, no liquid fill diaphragm and a sanitary clamp pressure fitting for easy installation with negligible clamping effect. A conduit fitting, shielded cable with vent tube and sealed screws for zero and span adjustment combine to make the Series 681 completely watertight.

FEATURES/BENEFITS

- Fully sealed to withstand Clean-in-Place and Sterilize-in-Place installations supports regulatory conditions for sanitary processes
- Sanitary clamp fitting makes for easy installation

APPLICATIONS

- Sanitary process applications
- Food and beverage processing
- Water processing
- Dairy processing
- Pharmaceutical processing

SPECIFICATIONS

Service: Compatible liquids and gases.
Wetted Parts: 316L SS.
Accuracy: ±2.0% FS (includes non-linearity, hysteresis and non-repeatability).
Temperature Limits: -40 to 260°F (-40 to 125°C) 10 to 90% RH, non-condensing.
Pressure Limits: See table.
Compensated Temperature Range: 20 to 180°F (-7 to 80°C).
Thermal Effect: Zero and span shift: ±2.0% FS/100°F.
Power Requirements: 9 to 30 VDC.

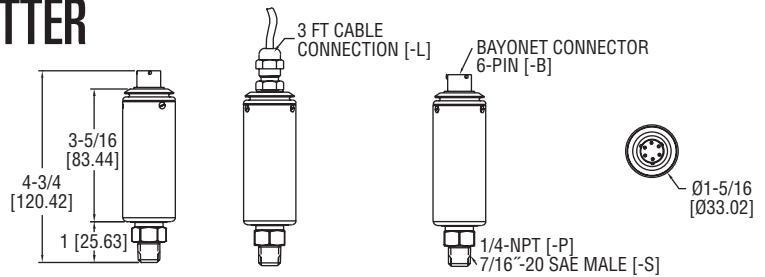
Output Signal: 4 to 20 mA, 2-wire.
Zero and Span Adjustment: ±0.5 mA, non-interactive.
Response Time: ≤ 10 ms.
Loop Resistance: 800 Ω.
Electrical Connections: 1/2" conduit fitting and strain relief with 15 ft (4.5 m) cable.
Process Connection: 2" or 1-1/2" sanitary clamp fitting male NPT.
Clamping Effect: Zero and span shift: ±0.15% FS for ranges up to 30 psi; ±0.25% FS for ranges >30 psi.
Weight: 8 oz (227 g).
Agency Approvals: CE.

MODEL CHART

Model	Range	Overpressure	Sanitary Clamp Connection
681-02	0 to 1 psi	50 psi	2"
681-12	0 to 2 psi	100 psi	2"
681-42	0 to 15 psi	150 psi	2"
681-52	0 to 30 psi	150 psi	2"
681-62	0 to 60 psi	180 psi	2"

HIGH ACCURACY PRESSURE TRANSMITTER

±0.05% FS, <±0.25% FS Total Error Band



The **SERIES 644** High Accuracy Pressure Transmitter is a robust transmitter designed for high accuracy pressure applications. Boasting an accuracy of ±0.05% FS RSS (<±0.25% TEB), the 644 is intended for precise measurements in the critical applications.

FEATURES/BENEFITS

- High accuracy provides exceptional measurement for insuring tight-control and minimizing costly out of specification conditions
- NIST calibrated to provide traceability for regulated processes where production and documentation is monitored
- Low thermal error over a wide range of temperatures helps to insure accurate pressure measurement and process operation

APPLICATIONS

- Calibration equipment
- Test benches
- Pulp and paper mills
- Hydraulic/pneumatic controls
- Transportation
- Power generation

MODEL CHART						
Example	644	-L	-V	-00	-P	644-L-V-00-P
Series	644					Industrial pressure transmitter
Electrical Connection		L B				3 ft cable Male 6-pin bayonet
Signal Output			V C			0 to 10 volt 4 to 20 mA
Range				00 01 02 03 04 05 06 07 08 09 10 11		0 to -14.7 psig 0 to 15 psig 0 to 25 psig 0 to 50 psig 0 to 100 psig 0 to 150 psig 0 to 200 psig 0 to 300 psig 0 to 500 psig 0 to 750 psig 0 to 1000 psig 0 to 15 psia
Process Connection					P S	1/4" male NPT 7/16"-20 SAE male

SPECIFICATIONS

Service: Compatible gases and liquids.
Wetted Materials: 17-4 PH SS.
Accuracy: ±0.05% FS RSS.
Total Error Band (Includes all thermal effects): <±0.25% FS over entire temperature compensated range.
Stability: < 0.15% FS/year.
Temperature Limits: -40 to 185°F (-40 to 85°C).
Pressure Limits: Proof pressure and burst pressure: See pressure limits table below.
Compensated Temperature Range: -4 to 140°F (-20 to 60°C).
Power Requirements: 9 to 30 VDC for current output; 15 to 30 VDC for voltage output.

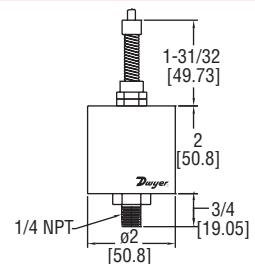
Minimum Supply Voltage: Min. supply voltage (VDC) for current output = 9 + 0.02 x loop resistance Ω (loop resistance Ω = line resistance + receiver resistance).
Output Signal: 0 to 10 VDC (4-wire); 4 to 20 mA (2-wire).
Response Time: < 10 ms (voltage output), < 80 ms (current output).
Max Current Consumption: 4 to 20 mA; 22 mA; 0 to 10 VDC; 20 mA.
Electrical Connections: 3 ft cable or 6-pin male bayonet connector.
Process Connection: 1/4" male NPT or 7/16"-20 male SAE with O-ring.
Enclosure Rating: NEMA 4X (IP65).
Mounting Orientation: Vertical.
Weight: 9 oz (254 g).
Agency Approval: CE.

ACCESSORY

Model	Description
A-495	6-pin female bayonet mate connector

INDUSTRIAL PRESSURE TRANSMITTER

±0.13% FS Accuracy, External Adjustments, 4 to 20 mA Output



The **SERIES 682** Industrial Pressure Transmitter is designed to withstand environmental effects such as shock, vibration, temperature, and EMI/RFI. The electronics and capacitive sensor are packaged in a welded stainless steel housing and meets NEMA 4 (IP65) protection ratings.

FEATURES/BENEFITS

- Weather-proof welded housing provides device protection for outdoor use or harsh environment operation
- Not affected by environmental effects such as temperature, shock, vibration, and EMI/RFI provides reliable switching for equipment
- External span and zero adjustments reduce installation and service time

APPLICATIONS

- Off-road equipment
- Hydraulic systems
- Compressor control
- Industrial engines
- Industrial refrigeration

MODEL CHART					
Model*	Range	Overpressure	Model*	Range	Overpressure
682-1	0 to 50 psi	150 psi	682-3	0 to 250 psi	500 psi
682-2	0 to 100 psi	300 psi	682-4	0 to 500 psi	1000 psi

*Units calibrated in bar also available. Consult factory.

SPECIFICATIONS

Service: Compatible liquids and gases.
Wetted Parts: 17-4 PH SS.
Accuracy: ±0.13% FS (includes non-linearity, hysteresis and non-repeatability).
Temperature Limits: -40 to 260°F (-40 to 125°C) 10 to 90% RH, non-condensing.
Pressure Limit: See table.
Compensated Temperature Range: -4 to 176°F (-20 to 80°C).
Thermal Effect: Zero shift: 1.0% FS/100°F span shift: ±1.5% FS/100°F.

Power Requirements: 9 to 30 VDC.
Output Signal: 4 to 20 mA, 2-wire.
Zero and Span Adjustment: ± 0.5 mA, non-interactive.
Response Time: 5 ms.
Loop Resistance: 800 Ω.
Electrical Connections: 2 ft (51 cm) multiconductor cable.
Process Connection: 1/4" male NPT.
Weight: 8 oz (227 g).
Shock: 200 g operating.
Vibration: 20 g 50-2000 Hz.
Agency Approvals: CE.

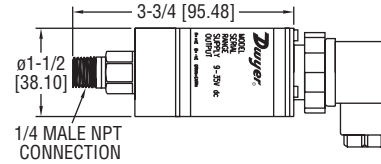
OPTION

Use order code:	Description
NISTCAL-PT1	NIST traceable calibration certificate



LOW PRESSURE TRANSDUCER

Single Pressure Connection, Ranges down to 10 in w.c.



The **SERIES 672** Low Pressure Transducer is a perfect solution to any The Series 672 Low Pressure Transducer is a perfect solution to any application where a very accurate low pressure transducer is necessary. Using variable capacitance technology, the Series 672 is designed to measure pressures as low as 10 in w.c. up to 400 in w.c., very low ranges for a single connection pressure transducer. The 672 also features a 0.25% FS accuracy. Use the Series 672 in liquid level, flood warning, waste water, clean room, and open channel flow applications.

FEATURES/BENEFITS

- Low range high accuracy provides precise control for process applications

APPLICATIONS

- Liquid level
- Flood warning
- Clean room
- Open flow applications
- Waste water

MODEL CHART		
Model	Operating Range	Output
672-1-A	0 to 10 in w.c.	4-20 mA, 2-wire
672-2-A	0 to 15 in w.c.	4-20 mA, 2-wire
672-3-A	0 to 25 in w.c.	4-20 mA, 2-wire
672-4-A	0 to 50 in w.c.	4-20 mA, 2-wire
672-5-A	0 to 100 in w.c.	4-20 mA, 2-wire
672-6-A	0 to 150 in w.c.	4-20 mA, 2-wire
672-7-A	0 to 200 in w.c.	4-20 mA, 2-wire
672-8-A	0 to 300 in w.c.	4-20 mA, 2-wire
672-9-A	0 to 400 in w.c.	4-20 mA, 2-wire

Note: For voltage output models change -A to -V.

SPECIFICATIONS

Service: Compatible liquids and gases.
Wetted Materials: 318 duplex SS, ceramic, fluoroelastomer (FKM).
Housing Material: 318 stainless steel.
Accuracy: ±0.25% FS (RSS). Includes non-linearity, hysteresis, and non-repeatability.
Stability: 0.25% FS/1 year.
Temperature Limits: -40 to 212°F (-40 to 100°C).
Compensated Temperature Limits: -5 to 140°F (-20 to 60°C).
Pressure Limits: 29 psi (2 bar) for up to 85 in w.c. (0.2 bar) ranges; 58 psi (4 bar) for 85 to 140 in w.c. (0.2 to 0.35 bar); 73 psi (5 bar) for 141 to 400 in w.c. (0.35 to 1 bar).
Thermal Effects: Zero: 1.0%FS/100°F (2.0%FS/100°C); Span: 1.0%FS/100°F (2.0%FS/100°C).
Power Requirements: 4 to 20 mA; 9 to 35 VDC; 0 to 5 VDC; 7.5 to 35 VDC.
Output Signal: 4 to 20 mA (2-wire) or 0 to 5 VDC (3-wire).
Zero & Span Adjustment: ±10% FS each (by potentiometer).
Response Time: 5 ms.
Max Loop Resistance: 1.325 kΩ.
Electrical Connections: Large DIN 43650 connector with mating plug.
Process Connection: 1/4"-18 NPT male.
Enclosure Rating: NEMA 4X (IP66).
Weight: 11.6 oz (330 g).
Agency Approval: CE.

OPTION

Use order code:	Description
NISTCAL-PT1	NIST traceable calibration certificate

PRESSURE TRANSMITTER

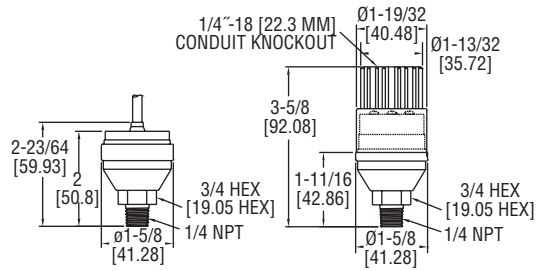
±0.25% Full Span Accuracy, 4-20 mA Signal, Ranges to 1000 psi



Cable Anchor



Conduit Version



Cable Anchor

Conduit Version

The low cost **SERIES 673** Pressure Transmitter is a fixed range transmitter designed for harsh environments and suitable for high shock and vibration applications. Constructed of stainless steel, the Series 673 provides a 4 to 20 mA output signal with 0.25% accuracy. Use the Series 673 in industrial OEM equipment, hydraulic systems, HVAC equipment, industrial engines and compressor control.

FEATURES/BENEFITS

- High-shock and vibration resistant insures stability in controlling pressure for process applications

APPLICATIONS

- OEM
- Industrial engines
- Hydraulic systems
- Compressors
- HVAC equipment

MODEL CHART			
Model	Range psi	Model	Range psi
673-1	0 to 1	673-1C	0 to 1
673-2	0 to 2	673-2C	0 to 2
673-3	0 to 5	673-3C	0 to 5
673-4	0 to 10	673-4C	0 to 10
673-5	0 to 25	673-5C	0 to 25
673-6	0 to 50	673-6C	0 to 50
673-7	0 to 100	673-7C	0 to 100
673-8	0 to 200	673-8C	0 to 200
673-9	0 to 500	673-9C	0 to 500
673-10	0 to 1000	673-10C	0 to 1000
673-14	-14.7 to 100	673-14C	-14.7 to 100

*The model numbers followed by a "C" represent the conduit version, which is hand tightened to ensure proper electrical seal.

SPECIFICATIONS

Service: Liquid, gas, or vapor.
Wetted Materials: 17-4 PH SS.
Accuracy: ±0.25% FS (RSS), (includes non-linearity, hysteresis and non-repeatability).
Temperature Limits: -40 to 185°F (-40 to 85°C).
Compensated Temperature Limits: -40 to 176°F (-40 to 80°C).
Pressure Limits: 2 x max range.
Thermal Errors: Zero: ±3.6% FS/100°F(100°C); Span: ±2.7% FS/100°F(100°C).
Power Requirements: 9 to 30 VDC.
Output: 4 to 20 mA, 2-wire.
Zero & Span Adjustment: Fixed.
Response Time: 5 ms.
Loop Resistance: 0 to 800 Ω.
Stability: 0.5% FS/year.
Shock: 200 g.
Vibration: 20 g.
Electrical Connections: 2 ft (61 cm) multiconductor cable.
Conduit Connection: 1/4"-18 (22.3 mm) knockout.
Enclosure: Stainless steel and Valox.
Weight: 2.3 oz (65 g).
Agency Approvals: CE.

OPTION

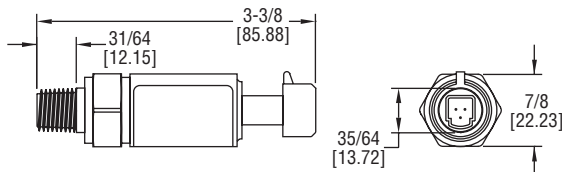
Use order code:	Description
NISTCAL-PT1	NIST traceable calibration certificate

INDUSTRIAL PRESSURE TRANSMITTER

17-4PH SS Wetted Parts, Packard Electrical Connection



Scan here to watch product video



The **SERIES TPT** Pressure Transmitter is the ideal choice for all types of industrial pressure applications. Machined from a solid piece of 17-4PH SS, the TPT provides a leak proof, all metal system without O-rings, welds, or organics exposed to the pressure media. Its design allows for stable operation when subject to shock and vibration. Utilizing piezo-resistive technology with digital compensation and temperature correction, the TPT gives high accuracy and stability under harsh environmental conditions. Available in ratiometric and 4 to 20 mA outputs.

FEATURES/BENEFITS

- High-shock and vibration resistant insures stability in controlling pressure for process applications

APPLICATIONS

- OEM
- Industrial engines
- Hydraulic systems
- Compressors
- HVAC equipment

ACCESSORY

Model	Description
A-960	3' packard cable

OPTION

Use order code:	Description
NISTCAL-PT1	NIST traceable calibration certificate

SPECIFICATIONS

Service: Compatible liquids and gases.
Wetted Materials: 17-4PH SS.
Accuracy: ±1% FS (RMS).
Stability: < ±0.25% FS per year.
Temperature Limits: -13° to 185°F (-20° to 85°C).
Compensated Temperature Range: -13° to 185°F (-20 to 85°C).
Pressure Limits: Proof pressure: 2 x FS; Burst pressure: 3 x FS.
Enclosure Rating: IP65.

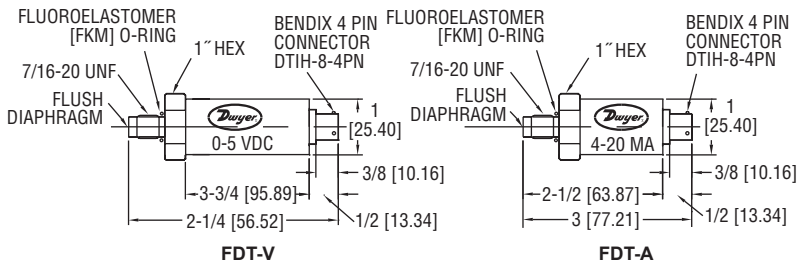
Thermal Effect: Zero shift: ±0.01% FS per 1°C; Span error: ±0.02% FS per 1°C.
Power Requirements: See table.
Output Signal: See table.
Loop Resistance: < 100 Ω.
Electrical Connection: Packard connector.
Process Connections: 1/4"-18 male NPT.
Shock: ±20 g.
Vibration: 50 g @ 20 to 2000 Hz.
Weight: 0.20 lb (0.09 kg).

MODEL CHART

Model	Range psi (bar)	Power Requirements (VDC)	Output Signal
TPT-R01	100 (6.89)	4.75 to 5.25	0.5 to 4.5 VDC
TPT-R02	250 (17.24)	4.75 to 5.25	0.5 to 4.5 VDC 0.5
TPT-R03	500 (34.47)	4.75 to 5.25	to 4.5 VDC 0.5 to
TPT-R04	1000 (68.95)	4.75 to 5.25	4.5 VDC
TPT-R05	2500 (172.37)	4.75 to 5.25	0.5 to 4.5 VDC
TPT-R06	5000 (344.74)	4.75 to 5.25	0.5 to 4.5 VDC
TPT-C01	100 (6.89)	9 to 30	4 to 20 mA
TPT-C02	250 (17.24)	9 to 30	4 to 20 mA
TPT-C03	500 (34.47)	9 to 30	4 to 20 mA
TPT-C04	1000 (68.95)	9 to 30	4 to 20 mA
TPT-C05	2500 (172.37)	9 to 30	4 to 20 mA

FLUSH DIAPHRAGM TRANSMITTER

Non-Liquid Filled, ±0.5% FS Accuracy, SS Wetted Parts



The **SERIES FDT** Flush Diaphragm Transmitter is designed for highly cyclical conditions. Flush sensor feature prevents any potential inaccuracies due to build-up or blockage which is a typical problem found in most non-flush transmitter sensors.

FEATURES/BENEFITS

- Performs well in high cyclical environments with the presence of water-hammering or spiking for long service life

APPLICATIONS

- OEM
- Hydraulic systems
- Process systems

MODEL CHART

Example	FDT	-A	-01	-NPT	FDT-A-01-NPT
Series	FDT				Flush diaphragm transmitter
Output		A	V		4 to 20 mA 0 to 5 VDC
Range			01		100 psi
			02		150 psi
			03		200 psi
			04		300 psi
			06		500 psi
			11		1000 psi
			12		2000 psi
			15		5000 psi
Options				-NPT	1/4" male NPT
				-C08	0.25% FS accuracy

Note: Contact factory for additional range availability.

SPECIFICATIONS

Service: Compatible liquids and gases, adhesives, slurries, materials that can harden, or where a pressure cavity is not desired.
Wetted Materials: 316 & 15-5 SST.
Accuracy: ±0.5% FS (includes non-linearity, hysteresis, and repeatability).
Stability: ±0.25% FS per year.
Temperature Limits: -40 to 200°F (-40 to 93°C).
Compensated Temperature Limits: 0 to 170°F (-18 to 77°C).
Pressure Limit: 150% FS; Burst: 200% FS.
Thermal Effect: ±1.5% FSO over compensated range.

Power Requirements: 8 to 38 VDC.
Output Signal: FDT-A: 4 to 20 mA DC; FDT-V: 0 to 5 VDC.
Response Time: <1 ms.
Loop Resistance: FDT-A: 0 to 1.5 Ω; FDT-V: 100 Ω.
Electrical Connections: 4-pin.
Process Connection: 7/16-20 UNF male flush diaphragm. Optional 1/4" male NPT.
Enclosure Rating: NEMA 4X (IP66).
Mounting Orientation: Mount in any position.
Weight: 2 oz (57 g).
Agency Approval: CE.

ACCESSORY

Model	Description
A-168	Mating connector for 4 pin M-12

OPTION

Use order code:	Description
NISTCAL-PT1	NIST traceable calibration certificate



INDUSTRIAL PRESSURE TRANSMITTER

Complete Offering of Ranges, Connections and Outputs



General Purpose Housing (-GH)



626 with LED Display (CH housing only)



General Purpose Housing (-GH) with DIN C



Conduit Housing (-CH)



Scan here to watch product video

*Please see our website for dimensional drawings.

The **SERIES 626** Pressure Transmitters possess a highly precise 0.25% full scale accuracy piezo-resistive sensor contained in a compact, rugged, NEMA 4X (IP66) stainless steel general purpose housing or cast aluminum conduit housing.

The **SERIES 628** Pressure Transmitters are ideal for OEMs with 1% full scale accuracy sensors. The transmitter is also available in the general purpose stainless steel housing and the cast aluminum conduit housing. The corrosion resistant 316L stainless steel wetted parts allow the Series 626 and 628 transmitters to measure the pressure in a multitude of processes from hydraulic oils to chemicals. The Series 626 and 628 are available in absolute and pressure ranges with a variety of optional outputs, process connections and electrical terminations to allow you to select the right transmitter for your application.

FEATURES/BENEFITS

- NEMA 4X rated enclosure provides protection in harsh environments permitting outdoor monitoring or in areas where dust and particulate matter exists
- Robust 316 SS oil filled sensor provides shock and vibration resistance insuring stability in controlling pressure for process applications
- A wide range of models and connections that can meet pressure measurement specifications from low to very high

APPLICATIONS

- Compressors
- Pumping systems
- Irrigation equipment
- Hydraulic
- Industrial process monitoring

SPECIFICATIONS

Service: Compatible gases and liquids.

Wetted Materials: Type 316L SS.

Accuracy: 626: 0.25% FS; 626: 0.20% RSS; 628: 1.0% FS; 628: 0.5% RSS; 626 Absolute Ranges: 0.5% FS; 626 absolute ranges: 0.30% RSS. (Includes linearity, hysteresis, and repeatability.)

Temperature Limit: 0 to 200°F (-18 to 93°C).

Compensated Temperature Range: 0 to 175°F (-18 to 79°C).

Thermal Effect: ±0.02% FS/°F (includes zero and span).

Pressure Limits: See table.

Power Requirements: 10 to 30 VDC (for 4 to 20 mA, 0 to 5, 1 to 5, 1 to 6 VDC outputs); 13 to 30 VDC (for 0 to 10, 2 to 10 VDC outputs); 5 VDC ±0.5 VDC (for 0.5 to 4.5 VDC ratio-metric output).

Output Signal: 4 to 20 mA, 0 to 5 VDC, 1 to 5 VDC, 0 to 10 VDC, or 0.5 to 4.5 VDC.

Response Time: 300 ms.

Loop Resistance: 0 to 1000 Ohms max. R max = 50 (Vps-10) Ohms (4 to 20 mA output), 5K Ohms (0 to 5, 1 to 5, 1 to 6, 0 to 10, 2 to 10, 0.5 to 4.5 VDC output).

Stability: 1.0% FS/year (Typ.).

Current Consumption: 38 mA maximum (for 4 to 20 mA output); 10 mA maximum (for 0 to 5, 1 to 5, 1 to 6, 0 to 10, 2 to 10, 0.5 to 4.5 VDC output); 140 mA maximum (for all 626/628/629-CH with optional LED).

Electrical Connections: Conduit Housing (-CH): terminal block, 1/2" female NPT conduit; General Purpose Housing (-GH): cable DIN EN 175801-803-C.

Process Connection: 1/4" male or female NPT and BSPT.

Enclosure Rating: NEMA 4X (IP66).

Mounting Orientation: Mount in any position.

Weight: 10 oz (283 g).

Agency Approvals: CE.

INDUSTRIAL PRESSURE TRANSMITTER

Complete Offering of Ranges, Connections and Outputs

PRESSURE LIMITS							
Range Number	Pressure Range	Maximum Pressure (psig)	Over Pressure (psig)	Range Number	Pressure Range (psig)	Maximum Pressure (psig)	Over Pressure (psig)
00	0 to 15 psia	30	45	12	0 to 200	400	1000
30	15 to 0 psia	30	45	13	0 to 300	600	1500
06	0 to 5 psig	10	50	14	0 to 500	1000	2500
07	0 to 15 psig	30	150	15	0 to 1000	2000	5000
08	0 to 30 psig	60	300	16	0 to 1500	3000	5000
09	0 to 50 psig	100	300	18	0 to 3000	6000	7500
10	0 to 100 psig	200	500	19	0 to 5000	7500	10000
11	0 to 150 psig	300	750	26	0 to 8000	10000	12000

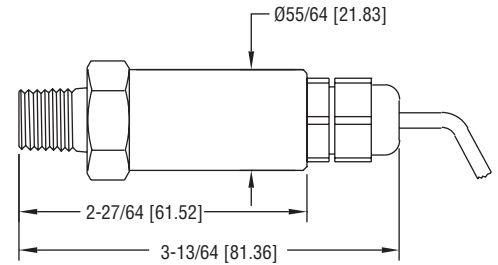
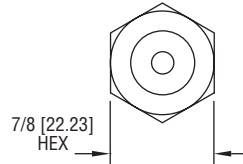
MODEL CHART								
Example	626	-00	-CH	-P1	-E1	-S1	-AT	626-00-CH-P1-E1-S1-AT
Accuracy	626							0.25% full-scale accuracy 1.0% full-scale accuracy
Range		00 01 02 03 04 05 06 07 08 09 10 11 12 13 14 22 15 16 18 19 26 67 71 75 81						0 to 15 psia 0 to 30 psia 0 to 50 psia 0 to 100 psia 0 to 200 psia 0 to 300 psia 0 to 5 psi 0 to 15 psi 0 to 30 psi 0 to 50 psi 0 to 100 psi 0 to 150 psi 0 to 200 psi 0 to 300 psi 0 to 500 psi 0 to 600 psi 0 to 1000 psi 0 to 1500 psi 0 to 3000 psi 0 to 5000 psi 0 to 8000 psi 0 to 0.5 bar 0 to 2.5 bar 0 to 10 bar 0 to 40 bar
Housing			CH GH					Conduit housing General purpose housing
Process Connection				P1 P2 P3 P5 P9				1/4" male NPT 1/4" female NPT 1/4" male BSPT 1/4" female SAE with refrigerant valve depressor ① 1/2" male NPT ①
Electrical Connection					E1 E3 E4 E5 E6 E8			Cable gland with 3' of prewired cable Cable gland with 9' of prewired cable DIN EN 175801-803-C ① 1/2" female NPT conduit ② M-12 4 pin connector Packard connector
Signal Output						S1 S2 S4 S5 S7		4 to 20 mA 1 to 5 VDC 0 to 5 VDC 0 to 10 VDC 0.5 to 4.5 VDC ①④
Options							AT NIST LED	Aluminum tag NIST traceable certificate Bright red LED display ②③

① Available with -GH housing only, NEMA 4 (IP65) ② Available with -CH housing only
③ LED option is not NEMA 4X (IP66) ④ Power requirement: 5 VDC ±10%

ACCESSORIES	
Model	Description
A-164	16.4' (5 m) cable with M-12 4-pin female connector
A-960	3' packard cable
A-961	9' packard cable
A-962	20' packard cable

PRESSURE TRANSMITTER

OEM Pressure Transmitter, NEMA 4X (IP66)



General Purpose Housing



Scan here to watch product video

The **SERIES 628CR** Pressure Transmitter, contains a low cost ceramic sensor enclosed in a compact, rugged, NEMA 4X (IP65) stainless steel body. Ideal for the budget conscious OEMs that require high levels of performance, reliability and stability at an unbeatable price. The 628CR enclosure is small and lightweight for optimum compatibility with OEM systems. The design allows for a variety of pressure ranges from 30 to 500 psi and optional electrical connections allowing you to select the right transmitter for your application.

APPLICATIONS

- Pump monitoring
- Compressors
- Irrigation equipment
- HVAC
- Pneumatic systems

SPECIFICATIONS

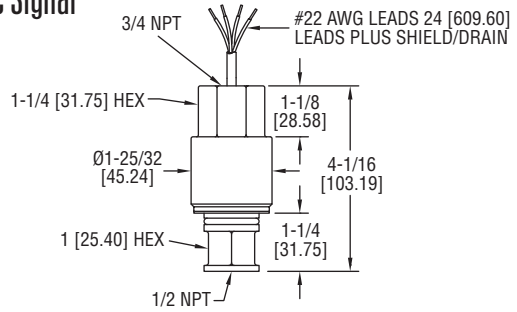
Service: Compatible gases and liquids.
Wetted Materials: Ceramic, fluoroelastomer, 316L SS.
Accuracy: ±1.0% FS (includes linearity, hysteresis and repeatability).
Stability: ±0.25% FS/year.
Temperature Limits: 0 to 185°F (-18 to 85°C).
Compensated Temperature Range: 0 to 175°F (-18 to 79°C).
Pressure Limit: Max pressure: 2x range; Burst pressure: 3x range.
Thermal Effect: ±0.04% FS/°F.
Power Requirements: 9 to 30 VDC.

Output Signal: 4 to 20 mA.
Response Time: 3 ms typ.
Loop Resistance: 0 to 1200 Ω max.
Current Consumption: 40 mA max.
Electrical Connections: Cable or DIN connector.
Process Connection: 1/4" male NPT or 1/4" male BSPT.
Enclosure Rating: NEMA 4X (IP66).
Mounting Orientation: Mount in any position.
Weight: 4.0 oz.
Agency Approvals: CE.

MODEL CHART							
Example	628CR	-08	-GH	-P1	-E1	-S1	628CR-08-GH-P1-E1-S1
Series	628CR						Pressure transmitter
Range		08 09 10 12 13 14 71 90 91 75 92 93 81					0 to 30 psi 0 to 50 psi 0 to 100 psi 0 to 200 psi 0 to 300 psi 0 to 500 psi 0 to 2.5 bar 0 to 4 bar 0 to 6 bar 0 to 10 bar 0 to 16 bar 0 to 25 bar 0 to 40 bar
Housing			GH				General purpose housing
Process Connection				P1 P3			1/4" male NPT 1/4" male BSPT
Electrical Connection					E1 E3 E4		Cable gland with 3' of prewired cable Cable gland with 9' of prewired cable DIN EN 175801-803-C
Signal Output						S1	4 to 20 mA
Options						AT NIST	Aluminum tag NIST traceable certificate

FIXED RANGE PRESSURE TRANSMITTER

Stainless Steel, Explosion-Proof, Accuracy $\pm 0.30\%$, 4 to 20 mA or 1 to 5 VDC Signal



The **SERIES 636** Pressure Transmitter is a low cost, fixed range, stainless steel transmitter with $\pm 0.30\%$ accuracy. It is designed to continuously measure pressure for years in even the toughest environmental and media conditions. Transmitters are explosion-proof, (FM approved) and meet NACE standards for off-shore applications.

FEATURES/BENEFITS

- Long service life and lower cost to maintain reduces total cost of ownership
- Explosion-proof housing for use in applications where protection of process and personnel is needed

APPLICATIONS

- Off-shore
- Process applications

MODEL CHART			
4 to 20 mA OUT	1 to 5 VDC OUT	Operating Range, PSI	Operating Range, Bar
636-0	636-0-LP	0 to 15	0 to 1
636-1	636-1-LP	0 to 30	0 to 2
636-2	636-2-LP	0 to 100	0 to 7
636-3	636-3-LP	0 to 300	0 to 20

OPTION	
Use order code:	Description
NISTCAL-PT1	NIST traceable calibration certificate

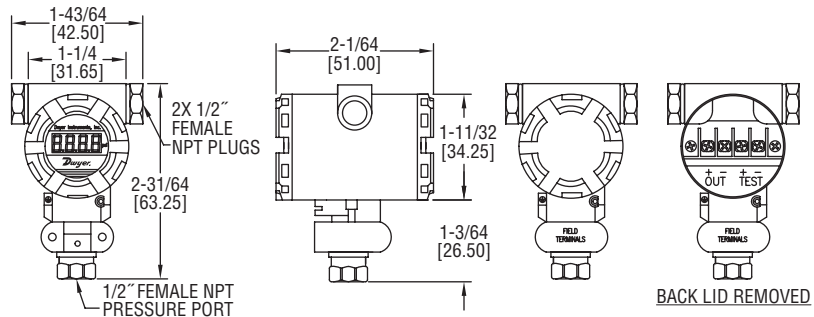
SPECIFICATIONS

Service: Liquid, gas or vapor.
Wetted Materials: 316 L SS.
Fill Fluid: DC 200 silicone (standard).
Accuracy: $\pm 0.30\%$ of calibrated span.
Stability: $\pm 0.5\%$ of upper range limit for six months.
Temperature Limits: Electronics (ambient): -40 to 140°F (-40 to 60°C); Process interface: -40 to 212°F (-40 to 100°C).
Pressure Limits: 300% upper range limit.
Compensated Temperature Range: -20 to 180°F (-29 to 82°C).
Thermal Effect: (includes zero and span). Between -20 and 180°F (-29 and 82°C). $\pm 2.0\%$ per 50°F (28°C).
Power Requirements: 12 to 30 VDC (636), 8 to 14 VDC (636LP), reverse polarity protection.
Output Signal: 4 to 20 mA DC, limited to 30 mA DC (636), 1 to 5 VDC (636LP).
Zero & Span Adjustments: Null: 4.0 mA $\pm 2\%$ span (636), 1 VDC $\pm 1\%$ span (636LP); Span: 16.0 mA $\pm 1\%$ span (636), 4 VDC $\pm 1\%$ span (636LP).
Loop Resistance: 900 Ω max @ 30 V.
Electrical Connection: 3/4" female NPT 24" (61 cm), 22 AWG.
Process Connection: 1/2" female NPT.
Enclosure Rating: NEMA 4 (IP56).
Weight: 0.83 lb (374 g).
Agency Approvals: CSA, FM.
 FM and CSA approved explosion-proof for Class I, Division 1, Groups B, C, & D, Class II Groups E, F, & G Class III.



INDUSTRIAL WEATHERPROOF PRESSURE TRANSMITTER

Exceptional Reliability for Harsh Environments



The **SERIES IWP** Pressure Transmitter provides an exceptional value solution to pressure measurement in industrial conditions requiring high-performance, stability and long service life. The precise operation under dirty and wet conditions, make the Series IWP an ideal choice for petroleum, chemical and metallurgical industry applications.

FEATURES/BENEFITS

- Rugged, weather-proof design supports use in harsh environments

APPLICATIONS

- Harsh environments
- Process
- Chemical
- Petroleum
- Metallurgical

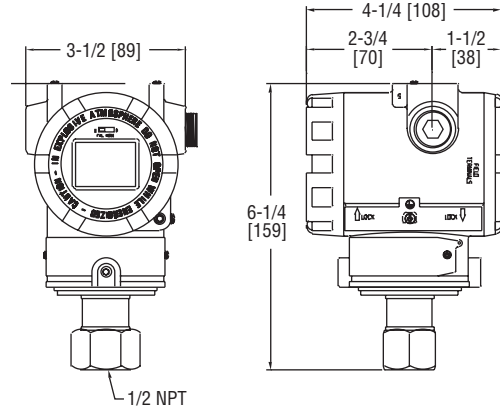
SPECIFICATIONS

Service: Gases and liquids compatible with wetted materials.
Wetted Materials: 304 and 316 stainless steel.
Accuracy: 0.5% FS.
Stability: $< 0.2\%$ FS per year.
Temperature Limits: -22 to 203°F (-30 to 95°C).
Compensated Temperature Limits: 32 to 158°F (0 to 70°C).
Pressure Limits: 1.5 x pressure range.
Temperature Coefficient: 0.3% F.S. per 10°C.
Power Requirements: 12 to 36 VDC.
Output Signal: 4 to 20mA.
Loop Resistance: 1200 Ω max.
Electrical Conduit Connection: 1/2" female NPT.
Process Connection: 1/2" female NPT.
Enclosure Rating: IP65.
Agency Approvals: CE.

MODEL CHART			
Model	Pressure Range	Model	Pressure Range
IWP-00	0 to 30 psig	IWP-04	0 to 300 psig
IWP-01	0 to 50 psig	IWP-05	0 to 500 psig
IWP-02	0 to 100 psig	IWP-06	0 to 1000 psig
IWP-03	0 to 200 psig	IWP-10	0 to 30 psia

EXPLOSION-PROOF PRESSURE TRANSMITTER

HART®, Push Button Configuration, Rangeability (100:1)



Scan here to watch product video

The Mercoid® **SERIES 3200G** Smart Pressure Transmitter is a microprocessor-based high performance transmitter, which has flexible pressure calibration, push button configuration, and programmable using HART® Communication. The Series 3200G is capable of being configured with the zero and span buttons, a field calibrator is not required for configuration. The transmitter software compensates for thermal effects, improving performance. EEPROM stores configuration settings and stores sensor correction coefficients in the event of shutdowns or power loss. The Series 3200G is FM approved for use in hazardous (Classified) locations. The 100:1 rangeability allows the smart transmitter to be configured to fit any application.

FEATURES/BENEFITS

- Completely configurable using zero/span buttons (no calibrator required)
- Rangeability (100:1)
- High accuracy ($\pm 0.075\%$)
- Automatic sensor temperature compensation
- Fail-mode process function

SPECIFICATIONS

Service: Compatible gases, steam, liquids or vapors.
Wetted Materials: 316L SS.
Accuracy: $\pm 0.075\%$ FS (@ 20°C).
Rangeability: 100:1 turn down.
Stability: $\pm 0.125\%$ FSO/yr.
Temperature Limits: Process: -40 to 248°F (-40 to 120°C); Ambient: Without LCD -40 to 185°F (-40 to 85°C); With LCD -22 to 176°F (-30 to 80°C).
Thermal Effect: $\pm 0.125\%$ span/32°C.
Power Requirements: 11.9 to 45 VDC.
Output Signal: 4 to 20 mA / HART® Communication.
Response Time: 0.12 seconds.
Damping Time: 0.25 to 60 seconds.
Loop Resistance: Operation: 0 to 1500 Ω ; HART® Communication: 250 to 500 Ω .
Electrical Connection: Two 1/2" female NPT conduit, screw terminal.
Process Connections: 1/2" female NPT.
Display: Optional 5 digit LCD.
Enclosure Rating: NEMA 4X (IP66) and explosion proof for Class I, Div I Groups A, B, C and D.
Weight: 5.5 lb (2.5 kg).
Agency Approvals: ATEX, CE, FM.

MODEL CHART				
Model	Range psi (kPa)	Calibrated Span (Min. to Max.) psi (kPa)	Max. Pressure psi (bar)	LCD Display
3200G-1-FM-1-1	-14.5 to 21 (-100 to 150)	0.22 to 21 (1.5 to 150)	58 (4)	No
3200G-2-FM-1-1	-14.5 to 217 (-100 to 1500)	2 to 217 (15 to 1500)	580 (40)	No
3200G-3-FM-1-1	0 to 725 (0 to 5000)	7.25 to 725 (50 to 5000)	2000 (138)	No
3200G-4-FM-1-1	0 to 3600 (0 to 25000)	36 to 3600 (250 to 25000)	10000 (690)	No
3200G-5-FM-1-1	0 to 8500 (0 to 60000)	87 to 8700 (600 to 60000)	11600 (800)	No
3200G-1-FM-1-1-LCD	-14.5 to 21 (-100 to 150)	0.22 to 21 (1.5 to 150)	58 (4)	Yes
3200G-2-FM-1-1-LCD	-14.5 to 217 (-100 to 1500)	2 to 217 (15 to 1500)	580 (40)	Yes
3200G-3-FM-1-1-LCD	0 to 725 (0 to 5000)	7.25 to 725 (50 to 5000)	2000 (138)	Yes
3200G-4-FM-1-1-LCD	0 to 3600 (0 to 25000)	36 to 3600 (250 to 25000)	10000 (690)	Yes
3200G-5-FM-1-1-LCD	0 to 8500 (0 to 60000)	87 to 8700 (600 to 60000)	11600 (800)	Yes

Note: Contact factory for custom calibration.

ACCESSORIES	
Model	Description
A-630	Stainless steel angle type bracket with SS bolts
A-631	Stainless steel flat type bracket with SS bolts
BBV-0N	2-valve block manifold
DevCom2000	HART® Communication Protocol Software

EXPLOSION-PROOF PRESSURE TRANSMITTER

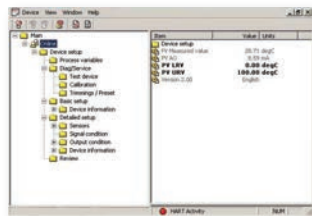
HART®, Push Button Configuration, Rangeability (100:1)

MODEL CHART														
Example	3200G	-2	-FM	-3	-1	-LES	S2	A1	05	S	2	-05	-LCD	3200G-2-FM-3-1-LESS2A105S2-05-LCD
Series	3200G													3200G Explosion-Proof Pressure Transmitter
Range		1 2 3 4 5												-14.5 to 21 psig (factory set 0 to 21 psig) -14.5 to 217 psig (factory set 0 to 217 psig) 0 to 725 psig 0 to 3600 psig 0 to 8500 psig
Approval			FM ATEX WP											FM approved ATEX approved Weatherproof only (Only available with 316 SS housing)
Process Connection				1 3										1/2" female NPT Diaphragm seal
Electrical Connection					1									1/2" female NPT
Diaphragm Seal Type						LED LES LFD LFS								1 extended diaphragm seal direct mount 1 extended diaphragm seal capillary type high 1 flush diaphragm seal direct mount 1 flush diaphragm seal capillary type
Mounting Flange							S2 S3							2" (50 mm) 316L SS 3" (80 mm) 316L SS
Mounting Flange Rating								A1 A2 D1 D2 J1 J2						ANSI class 150# ANSI class 300# DIN PN 10/16 DIN PN 25/40 JIS 10 K JIS 20 K
Extension Length									00 05 10 15					No extension (standard for flush mount) 2" extension 4" extension 6" extension
Diaphragm Material										S P H T				316L SS diaphragm PTFE and 316L SS diaphragm Hastelloy C-276 diaphragm Tantalum diaphragm
Fill Fluid											2			Silicon oil (-40 to 400°F)
Capillary Length												XX		0 to 20 feet
Options													LCD SSH NIST CC	5 digit LCD 316 SS housing (only available with WP approval) NIST calibration Custom calibration

CUSTOM CALIBRATION VALUES	
Primary Units	in w.c., ft w.c., mm w.c., in Hg, psig, g/cm ² , kg/cm ² , Pa, kPa, bar, mbar, Torr, Atm, mm Hg
Upper Range Limit	20 mA value
Lower Range Limit	4 mA value
Damping Time	0 to 60 seconds
Display Mode	Primary unit, %, mA, rotate

HART® COMMUNICATION PROTOCOL SOFTWARE

Includes USB HART Modem



DevCom2000 Software



Windows®-Based PC

HART Field Device



USB HART Modem

The **MODEL DEVCOM2000** HART® Communicator Software turns your PC into a full-featured HART® communicator. Now it is possible to configure transmitters and control valves at the desktop or in the field. DevCom2000 uses device descriptions (DDs) to retrieve data that is stored in the memory of smart field devices. This software is a simple, reliable and secure method to add new measurement values to control systems without the need of additional wires. This software eliminates the need to purchase and maintain a separate handheld HART® communicator.

FEATURES

- Complete DD library
- Includes USB HART modem
- USB 1.1 and 2.0 compatible
- Self powered modem

MODEL CHART	
Model	Description
DevCom2000	HART® Communicator Software

SPECIFICATIONS

HART® Communicator Software
DD Library: Included.
Generic DD: Included.
Operating System: Windows NT®, Windows® 2000, Windows XP®, Windows® Vista (32/64), Windows® 7 (32/64).

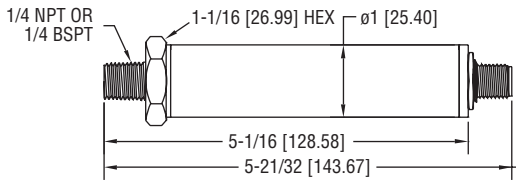
USB HART MODEM
Material: High strength ABS plastic.
Temperature Limits: 0 to 50°C (32 to 122°F).
Storage Temperature: -40 to 85°C (-40 to 185°F).
Humidity: 0 to 99% (non-condensing).
HART® Cable Length: 4' (1.2 m).

HART® Cable Connectors: Mini-grabber.
USB Cable Length: 18" (0.5 m).
USB Cable Connector: USB Type A.
USB: USB 1.1, USB 2.0.
Power: USB port provides power to unit.
Current Draw: 20 mA.
Output: 600 mVpp.
Leakage: < 10 uA.
Isolation Voltage: 1500 VDC.
HART®: HART® 4, HART® 5, HART® 6, HART® 7, HART® Physical Layer Spec HCF_SPEC-54.
Weight: 3 oz (85 g).
Agency Approvals: CE.

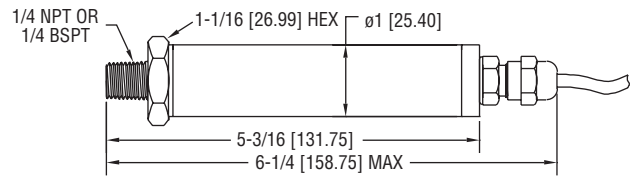
HART® is a registered trademark of Hart Communication Foundation
 Windows®, Windows NT®, and Windows Vista® are registered trademarks of Microsoft Corporation.

INTRINSICALLY SAFE PRESSURE TRANSMITTER

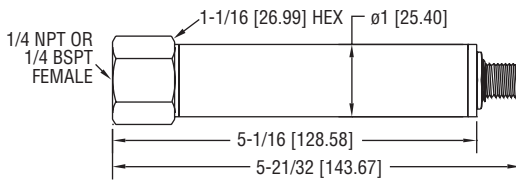
For Use In Hazardous Locations



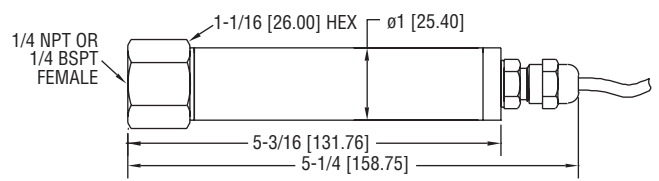
Male NPT/BSPT Connector with Male M-12 Connector



Male NPT/BSPT Connector with Cable Gland



Female NPT/BSPT Connector with Male M-12 Connector



Female NPT/BSPT Connector with Cable Gland



Scan here to watch product video

The Dwyer **SERIES IS626** Intrinsically Safe Pressure Transmitter can be used to accurately measure compatible gases and liquids compatible with its 316/316L stainless steel wetted parts. Series IS626 full-scale accuracy is 0.25%. Designed for industrial environments with a NEMA 4X (IP66) housing, this transmitter resists most effects of shock and vibration. Models are available with a 3' cable or M-12 4 pin connection.

The IS626 is UL listed for use in Hazardous (Classified) Locations. The protection method is by Intrinsic Safety, "ia". It was investigated by UL under UL Standard 913 Sixth Edition and CSA Standard No. 157-92.

FEATURES/BENEFITS

- Exceptional accuracy for insuring tight-control and minimizing costly out of specification conditions
- NEMA 4x rated enclosure provides protection in harsh environments permitting outdoor monitoring or in areas where dust and particulate matter exists
- Robust sensor provides shock and vibration resistance insuring stability in controlling pressure for process applications

APPLICATIONS

- Monitoring pressure in hazardous environments
- Process

SPECIFICATIONS

Service: Compatible gases and liquids.
Wetted Materials: Type 316, 316L SS.
Accuracy: 0.25% FS; Absolute range: 0.5% FS (includes linearity, hysteresis, and repeatability).
Temperature Limit: 0 to 176°F (-18 to 80°C).
Compensated Temperature Range: 0 to 176°F (-18 to 80°C).
Thermal Effect: ±0.02% FS/°F (includes zero and span).
Pressure Limits: See Pressure Range Table.
Power Requirements: 10 to 28 VDC.
Output Signal: 4 to 20 mA.
Response Time: 50 ms.
Loop Resistance: 0 - 900 Ω max.
Current Consumption: 38 mA (max).
Electrical Connections: 3 ft cable or 4-pin M-12 connector.
Process Connection: 1/4" male or female NPT and BSPT.

Enclosure Rating: NEMA 4X (IP66).
Mounting Orientation: Mount in any position.
Weight: 8.9 oz (252 g).
Agency Approvals: CE, cULus Intrinsically Safe to UL Standard 913.
For use in Hazardous (Classified) Locations:
Class I Div. 1 Groups A,B,C,D
Class II Div. 1 Groups E,F,G
Class III Div. 1
Temperature Code: T4 @ 80°C ambient
Install in accordance with control drawing 01-700797-00.
WARNING To prevent ignition of flammable or combustible atmospheres, disconnect power before servicing.
Use with approved safety barriers using entity evaluation.

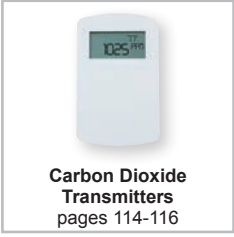
MODEL CHART			
Model	Range	Maximum Pressure (psig)	Over Pressure (psig)
IS626-00-GH-P1-E1-S1	15 psia*	30	150
IS626-07-GH-P1-E1-S1	15 psig	30	150
IS626-08-GH-P1-E1-S1	30 psig	60	300
IS626-09-GH-P1-E1-S1	50 psig	100	300
IS626-10-GH-P1-E1-S1	100 psig	200	500
IS626-11-GH-P1-E1-S1	150 psig	300	750
IS626-12-GH-P1-E1-S1	200 psig	400	1000
IS626-13-GH-P1-E1-S1	300 psig	600	1500
IS626-14-GH-P1-E1-S1	500 psig	1000	2500
IS626-15-GH-P1-E1-S1	1000 psig	2000	5000
IS626-16-GH-P1-E1-S1	1500 psig	3000	5000

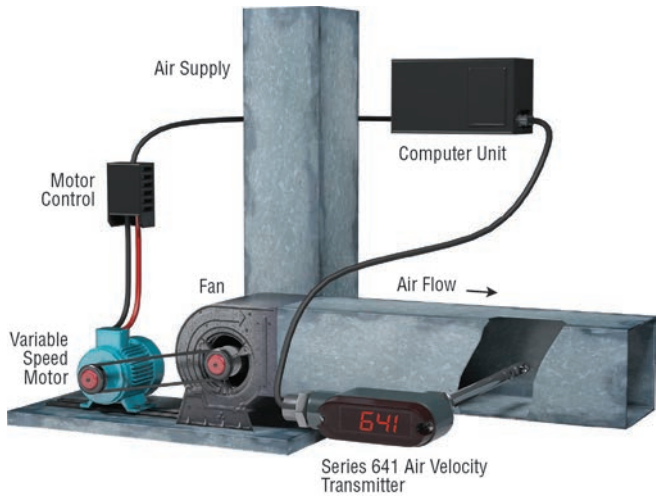
*Absolute pressure ranges are not UL approved.
Note: For optional M-12 4 pin electrical connection, change E1 to E6.

ACCESSORIES	
Model	Description
A-295	Female four pin M-12 to cable gland connector
A-231	16' (5 m) shielded cable with 4 pin female M-12 connection
MTL5041	Intrinsically safe galvanic isolator
MTL7706	Intrinsically safe zener barrier

OPTION	
To order add suffix:	Description
-NIST	NIST traceable calibration certificate
Example: IS626-00-GH-P1-E1-S1-NIST	

TYPICAL APPLICATIONS
pages 94-95



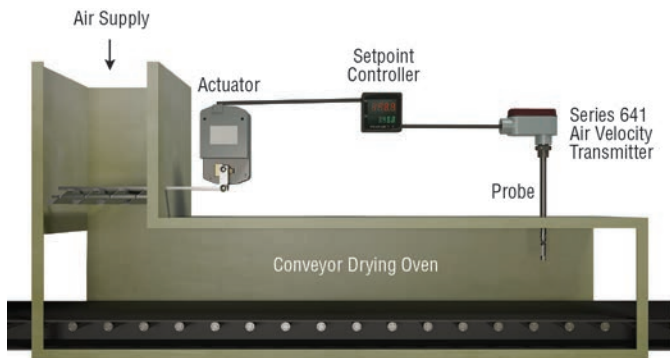
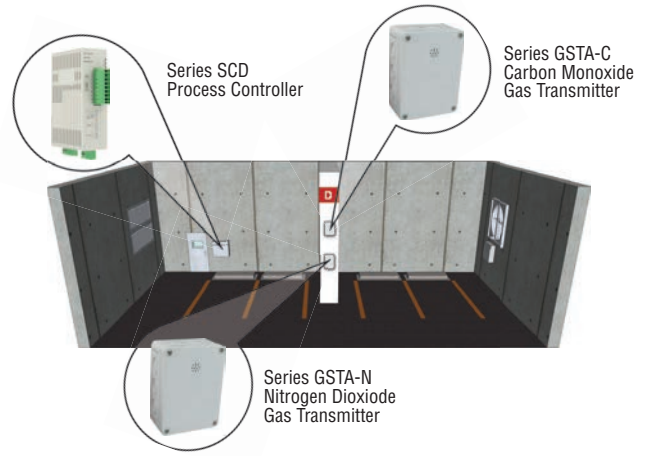


Dwyer® transmitter signals precise air velocity adjustments to computer-controlled variable-speed fan motor.

In variable air volume (VAV) HVAC systems, a computerized control provides precise adjustment of air volume to meet changing system needs with maximum energy efficiency. The Dwyer® Series 641 has an optional LED display for local indication of air flow. The LED display provides a quick, visual acknowledgment of proper system performance. The computer reacts to any change in velocity by signaling the motor control to increase or decrease fan speed to maintain the required velocity. The computer, taking inputs from other ambient condition sensors, will establish a new required air velocity and signal an appropriate adjustment in fan speed.

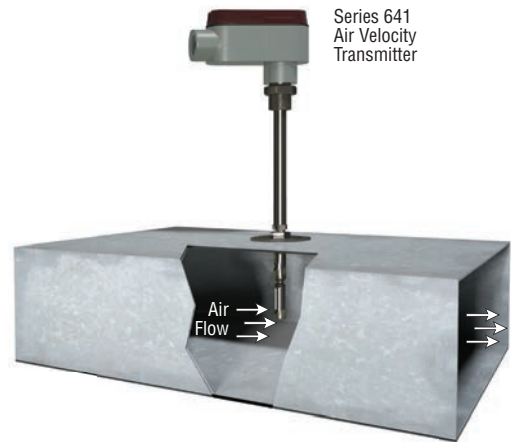
Automate your garage ventilation.

Carbon monoxide and Nitrogen Dioxide are by-products released in the exhaust from gasoline and diesel powered vehicles. These gases can build up in parking garages and loading dock areas where vehicles are concentrated, creating a potentially harmful environment. Ventilation is required to purge these gasses, but running fans non-stop increases building operating costs. The Dwyer Series GSTA and GSTC can help offer a more efficient solution to garage ventilation by transmitting CO or NO₂ concentrations via an analog output signal or digital BACnet/Modbus communication. This signal is sent to the Building Management System and the ventilation processes can then be automated to run only when the gases are present in dangerous concentrations. For stand-alone systems, the analog signal can be sent to a Series SCD process controller to provide a closed loop control system running the ventilation fans. Using the Dwyer GSTA or GSTC transmitter, ventilation will occur only when needed, reducing the cost of maintaining air quality standards.



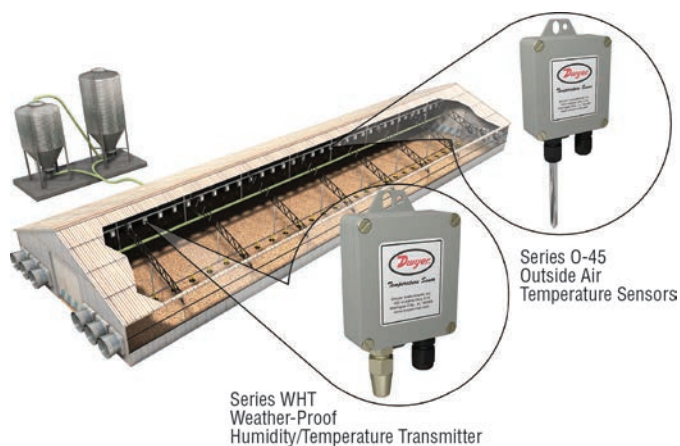
Air velocity transmitter controls drying oven air flow.

The flow of heated air is held to a constant predetermined velocity in this carefully controlled low temperature process drying oven. The constant temperature air supply is modulated by a set of inlet louvers operated by a servo-driven actuator. A Dwyer® Series 641 Air Velocity Transmitter has an optional LED display for local indication of air flow. The LED display provides a quick, visual acknowledgment of proper system performance. The controller compares the Series 641's signal to the setpoint in the controller and continuously signals appropriate louver adjustments to the actuator.



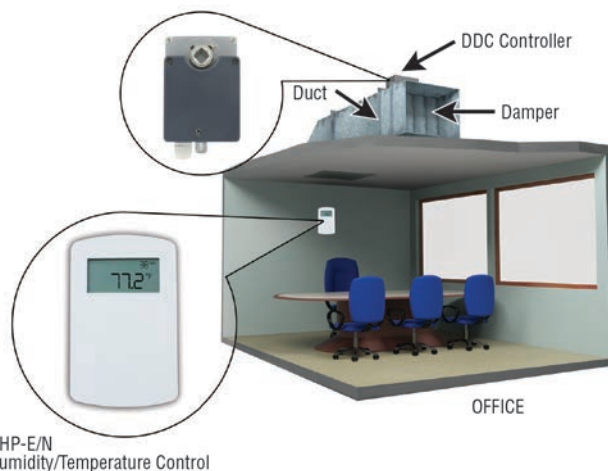
Eliminate the need for Pitot tubes, orifice plates, differential pressure sensors and temperature sensors with a Series 641.

Installing air velocity measurement systems can be a burdensome process – specifying Pitot tubes, static pressure tips, orifice plates, differential pressure transmitters, etc. Dwyer offers the 641 Air Velocity Transmitter to consolidate these components into one convenient instrument. The 641 can be easily installed into the duct or air stream to accurately measure air flow while providing local indication as well as linear analog output. Microprocessor-based technology ensures accurate, repeatable results. The 641 combines these features for simple, reliable airflow measurement without the problems associated with complex, traditional systems.



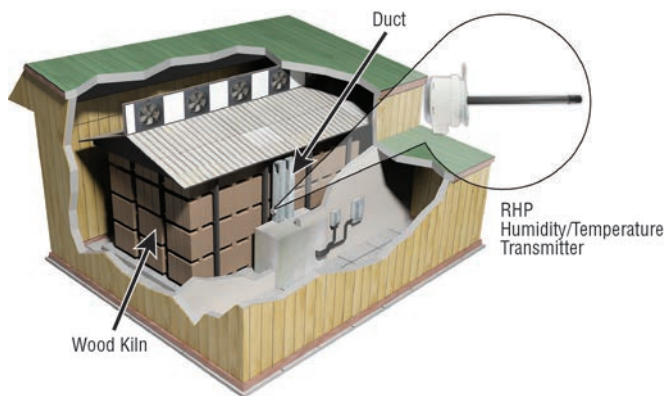
Temperature and humidity measurements used to optimize the growth of hogs and poultry.

The Dwyer Series WHT Humidity Transmitter and Series O-4 Temperature Sensors are used to control the environmental conditions on hog and poultry farms. The amount the animals eat is linked to how comfortable the environmental conditions are. Thus the temperature, humidity, amount of light and other ambient conditions are tightly controlled to insure optimal animal growth.



Accurately measure and control the humidity and temperature in office buildings.

The Dwyer® Series RHP-E/N wall mount humidity and temperature transmitter can be combined with a DDC controller and a damper to provide comfortable working conditions in an office building. The amount of air flow entering the room is varied based on the temperature and humidity readings of the Series RHP-E/N. The compact size and mounting configuration allow this transmitter to be discretely mounted in any room.



Greatly reduce the time it takes to dry wood.

The Dwyer® Model RHP-2D11 monitors the humidity and temperature in the return air ducts in wood dehumidification rooms. Large fans are used to circulate air across the room. As dry conditioned air moves across the wood, it absorbs moisture from the wood. The humidity level of the air in the return air duct is representative of how much moisture is in the wood. When the humidity in the duct declines, it signifies that less dry conditioned air is needed to be supplied to the room.



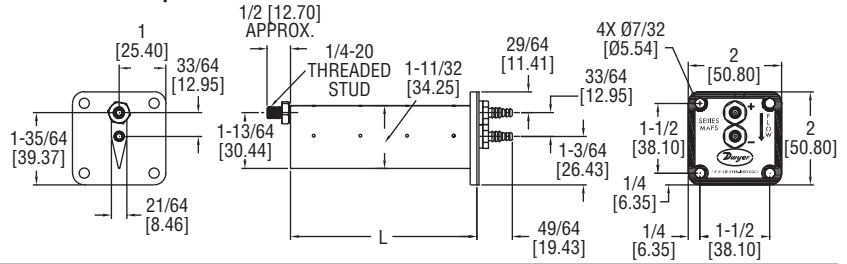
Demand control ventilation.

Since the number of people in a conference room or classroom varies throughout the day, the amount of conditioned air needed to properly ventilate the room varies as well. As the number of people in a room increase, the concentration of carbon dioxide in the room will also increase. The Dwyer Series CDT, CDTR, CDTV, and CDTA carbon dioxide transmitters measures the amount of carbon dioxide that is emitted so that the VAV control system can supply enough fresh air into the space to return the concentration of carbon dioxide in the room to normal levels.



METAL AVERAGING FLOW SENSOR

Blade Profile Provides Enhanced Performance and Minimal Flow Disruption



The **SERIES MAFS** Metal Averaging Flow Sensor is ideal for use with Dwyer Instruments, Inc. precision air velocity gages, transmitters and switches. The Series MAFS uses evenly distributed total and static pressure measuring points to deliver an accurate measurement of velocity pressure in a duct.

FEATURES/BENEFITS

- Blade design limits disruption of air stream
- Lightweight aluminum construction
- Flange mount for rectangular or square ducts

APPLICATIONS

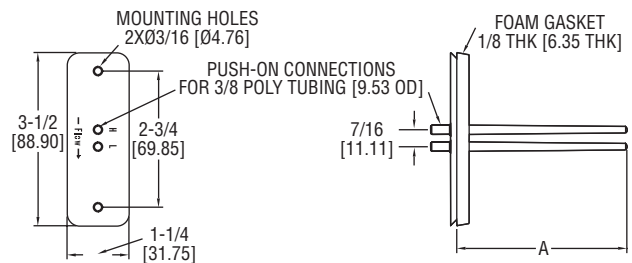
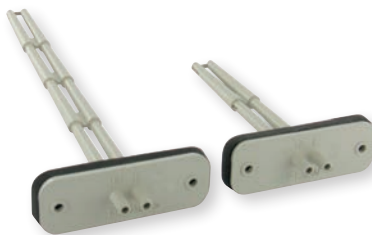
- VAV air flow measurement
- Fume hood exhaust flow verification
- HVAC retrofit air flow measurement

MODEL CHART					
Model	Probe Length (in)	Model	Probe Length (in)	Model	Probe Length (in)
MAFS-04	4	MAFS-18	18	MAFS-32	32
MAFS-06	6	MAFS-20	20	MAFS-34	34
MAFS-08	8	MAFS-22	22	MAFS-36	36
MAFS-10	10	MAFS-24	24	MAFS-40	40
MAFS-12	12	MAFS-26	26	MAFS-48	48
MAFS-14	14	MAFS-28	28		
MAFS-16	16	MAFS-30	30		

SPECIFICATIONS
Service: Clean air.
Wetted Materials: Aluminum AA6063.
Accuracy: 400 to 9000 FPM (45.7 m/s); ±2% FS, ±3% FS for 6" and 48" length models.
K-Factor: 0.81, 0.80 for 6" and 48" lengths, 4" length=0.82.
Maximum Temperature: 400°F (204°C); Gasket: -31 to 230°F (-35 to 110°C).
Minimum Design Flow: 400 fpm (2 m/sec).
Maximum Design Flow: 12,000 fpm (60.91 m/sec).
Process Connections: Dual barb for 3/16" or 1/4" ID tubing.
Straight Run Requirements: 5 diameters or longest side dimensions.

AVERAGING FLOW SENSOR

Ideal for Sensing Fan Flow Rates



The **SERIES PAFS-1000** Averaging Flow Sensor is ideal for sensing velocity pressure in the inlet section of variable air volume terminal units and fan terminal units.

FEATURES/BENEFITS

- Simple mounting flange works with both round or rectangular ducts

APPLICATIONS

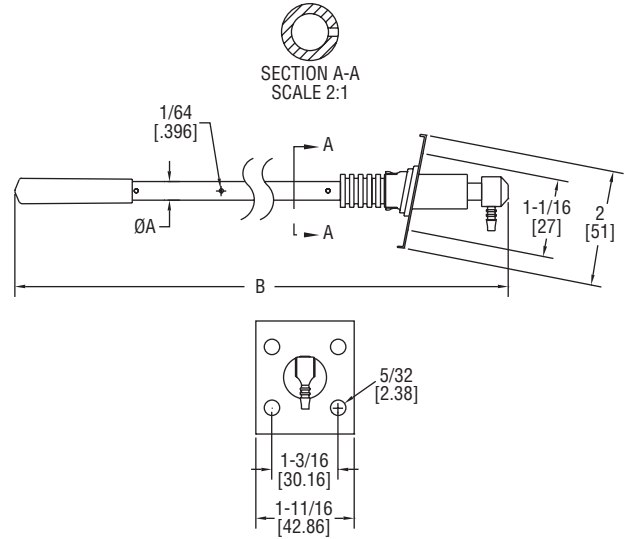
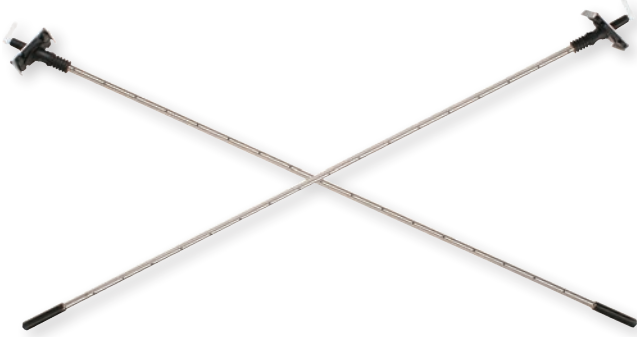
- Zone control in HVAC systems
- Retrofit HVAC air flow measurement

SPECIFICATIONS
Service: Air and compatible gases.
Wetted Materials: ABS/polycarbonate (UL94-5V).
Temperature Limits: Operating: 40 to 120°F (4 to 49°C); Storage: -40 to 140°F (-40 to 60°C).
Process Connection: 1/4" (6 mm) ID, 3/8" (10 mm) OD tubing.
Mounting Orientation: Integral flange with gasket.
Weight: 1 oz (28 g).

MODEL CHART			
Model	Length (Dim. A) in (cm)	Model	Length (Dim. A) in (cm)
PAFS-1002	3-5/32 (8.02)	PAFS-1007	14-3/4 (37.47)
PAFS-1003	5-13/32 (13.73)	PAFS-1008	17-1/8 (43.50)
PAFS-1004	7-21/32 (19.55)	PAFS-1009	19-13/32 (49.29)
PAFS-1005	9-29/32 (25.26)	PAFS-1010	21-21/32 (55.01)
PAFS-1006	12-1/2 (31.75)	PAFS-1011	23-29/32 (60.72)

AVERAGING FLOW GRID

Cost Effective Air Flow Station for Ducts up to 60"



The **SERIES AFG** Flow Grid is a fundamental pressure-sensing device designed to sense velocity pressure in an air duct. When this output is connected to a suitable measuring instrument (i.e. manometer, pressure transducer, etc.) it may be used to determine air velocity or air flow rate.

FEATURES/BENEFITS

- Kit complete with 2 probes and installation hardware
- Trimmable length for any duct size up to 60"
- Alternative to costly air flow stations

APPLICATIONS

- To display differential pressure, velocity or volume flow using a micro manometer, gage or transmitter
- To give a warning of over or under flow rate using a pressure switch
- To control air supply in a system by connecting the grid to a pressure transmitter with an electrical output which can be used to feed into a control system
- To display differential pressure on a simple fluid manometer to give visual indication of changes in volume flow rate in the duct

SPECIFICATIONS

Service: Monitor air or compatible gas flow.
Wetted Materials: 304 SS, PVC, polyurethane, acetyl plastics, and neoprene rubber.
Accuracy: ±5%.
Maximum Temperature: 176°F (80°C).
Velocity Range: 295.2 ft/min to 5904 ft/min (1.5 to 30 m/sec).
Diameter of Tubes: 5/16" (8 mm) or 5/8" (16 mm).
Maximum Duct Diagonal: 60.4" (153.4 cm).
Maximum Duct Diameter: 59.4" (150.9 cm).
Process Connections: 5/16" barbed.
Weight: AFG-1: 1 lb (454 g); AFG-2: 3 lb (1361 g).

MODEL CHART

Model	Diameter Tube (Dim. A) in (mm)	Length (Dim. B) in (mm)
AFG-1	5/16 (8)	27 (688)
AFG-2	5/8 (16)	59-4/5 (1518)



FAN INLET AIR FLOW MEASURING PROBE

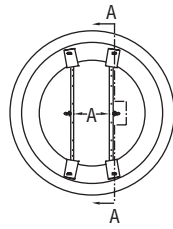
Lightweight, Durable, & Easy to Install



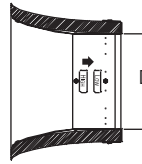
FAFM-D-xxxx



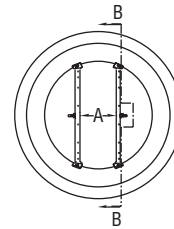
FAFM-S-xxxx



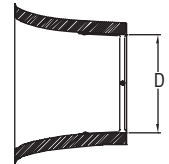
INLET FLOW VIEW



SECTION A-A



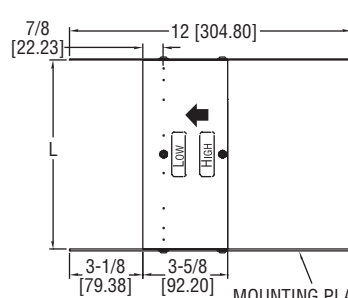
INLET FLOW VIEW



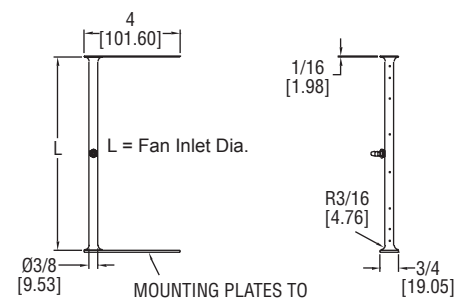
SECTION B-B

Application Diagram

Application Diagram



Model FAFM-D



Model FAFM-S

The **SERIES FAFM** Fan Inlet Air Flow Measuring Probes use evenly distributed total and static pressure measuring points to deliver an accurate measurement of velocity pressure in a fan inlet.

FEATURES/BENEFITS

- Installed on fan inlet outside of the air flow ducts
- Lightweight aluminum constructions

APPLICATIONS

- Ideal for HVAC applications where a proper location for a duct mount sensor is unavailable

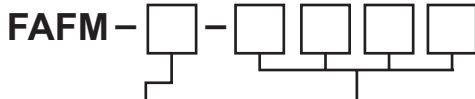
There are two versions of the model FAFM fan inlet air flow probes to choose from depending on the depth of the fan inlet.

FOR FAN INLETS WITH DEPTH LESS THAN 3-1/2" (8.89 CM)

Please order a fan inlet probe with an "S" suffix. This probe has a diameter of .375" (.95 cm). It employs one total flow measuring tube and one static measuring tube. Each probe is covered with an extruded aluminum anodized coat. Each measuring tube has multiple sensing points.

FOR FAN INLETS WITH DEPTH GREATER THAN 3-1/2" (8.89 CM)

Please order a fan inlet probe with a "D" suffix. This probe has a diameter of 3-1/2" (8.89 cm). It employs extruded aluminum anodized coated probes with both total and static sensors on each tube.



FAN INLET DEPTH

- S – Less than 3-1/2"
- D – Greater than 3-1/2"

FAN INLET DIAMETER IN INCHES

- Examples: 1200 for 12 inches
- 2389 for 23.89 inches
- 0624 for 6.24 inches

SPECIFICATIONS

- Wetted Materials:** Aluminum with clear anodized finish.
- Accuracy:** ±2% (Note: Field calibration may be required).
- Temperature Limit:** 400°F (204°C).
- Minimum Design Flow:** 400 fpm (2.03 m/sec).
- Maximum Design Flow:** 12,000 fpm (60.96 m/sec).
- Process Connections:** 1/4" barb.

MODEL CHART

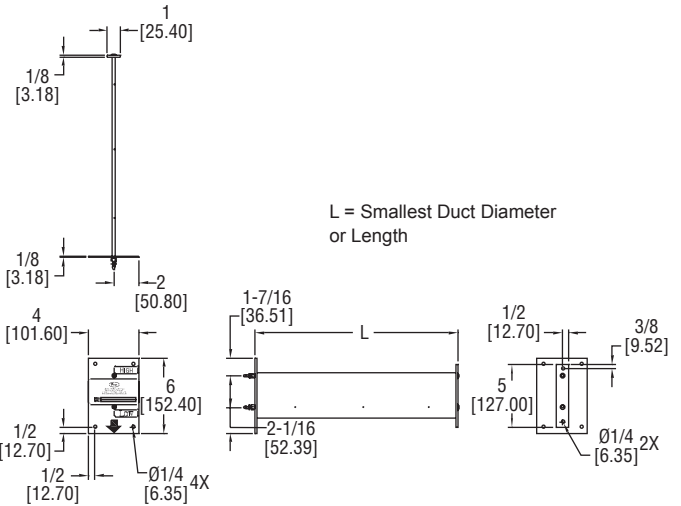
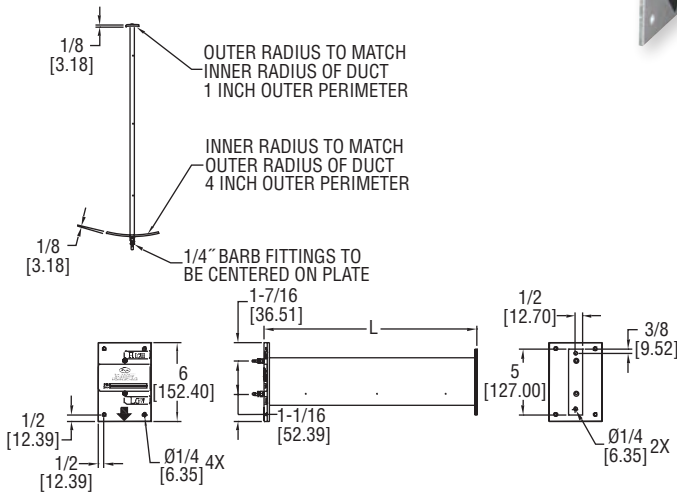
Fan Inlet Diameter (L)
6 to 12" (15.24 to 30.48 cm)
13 to 24" (33.02 to 60.96 cm)
25 to 36" (63.50 to 91.44 cm)
37 to 48" (93.88 to 121.92 cm)
49 to 60" (124.46 to 152.40 cm)
61 to 72" (154.94 to 182.88 cm)
73 to 84" (185.42 to 213.36 cm)
85 to 96" (215.90 to 243.84 cm)

Note: A set of two fan inlet air flow measurement probes comes with every model ordered. A set is necessary in order to ensure an accurate reading. No more than two air flow measurement probes will be needed to obtain an accurate reading.



DUCT AIR FLOW MEASURING PROBE

Lightweight, Durable, & Easy to Install



The **SERIES DAFM** Duct Air Flow Measuring Probe uses evenly distributed total and static pressure measuring points to deliver an accurate measurement of velocity pressure in a duct.

FEATURES/BENEFITS

- Lightweight aluminum construction
- Can be used in rectangular duct up to 24" by 90" and round ducts up to 24" diameters

APPLICATIONS

- Zone control in HVAC systems
- Building air intake and exhaust flow rate measurement

In order to ensure accurate measurements you must determine the number of probes needed for your size duct. If the duct is rectangular, then consult the chart to determine appropriate quantity of probes.

If the duct is round, it is only necessary to purchase two probes for any size of duct and mount them perpendicular to each other.

Short Duct Dimension	Number of Probes
<12"	1
12" to 23"	2
24" to 35"	3
36" to 59"	4
60" to 89"	5
>89"	6

SPECIFICATIONS

- Wetted Materials:** Aluminum with clear anodized finish.
- Accuracy:** ±2% (Note: Field calibration may be required).
- Temperature Limit:** 400°F (204°C).
- Minimum Design Flow:** 400 fpm (2.03 m/sec).
- Maximum Design Flow:** 12,000 fpm (60.96 m/sec).
- Process Connections:** 1/4" barb.
- Straight Run Requirements:** 5 diameters or longest side dimensions.

MODEL CHART

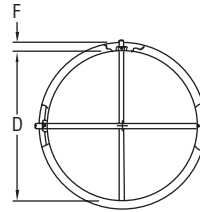
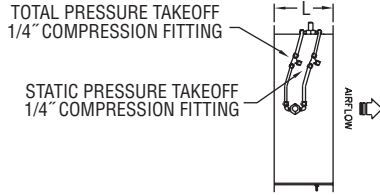
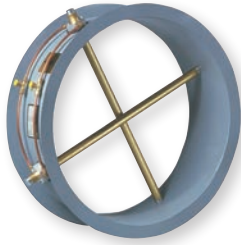
Model	Duct Shape	Smallest Duct Diameter or Length (L)
DAFM-000	Round	6" (15.24 cm)
DAFM-001	Round	8" (20.32 cm)
DAFM-002	Round	10" (25.4 cm)
DAFM-003	Round	12" (30.48 cm)
DAFM-004	Round	14" (35.56 cm)
DAFM-005	Round	16" (40.64 cm)
DAFM-006	Round	18" (45.72 cm)
DAFM-007	Round	20" (50.8 cm)
DAFM-008	Round	22" (55.88 cm)
DAFM-009	Round	24" (60.96 cm)
DAFM-100	Rectangular	6" (15.24 cm)
DAFM-101	Rectangular	8" (20.32 cm)
DAFM-102	Rectangular	10" (25.4 cm)
DAFM-103	Rectangular	12" (30.48 cm)
DAFM-104	Rectangular	14" (35.56 cm)
DAFM-105	Rectangular	16" (40.64 cm)
DAFM-106	Rectangular	18" (45.72 cm)
DAFM-107	Rectangular	20" (50.8 cm)
DAFM-108	Rectangular	22" (55.88 cm)
DAFM-109	Rectangular	24" (60.96 cm)

Note: For larger sizes up to 96" (243.84 cm), please contact factory.

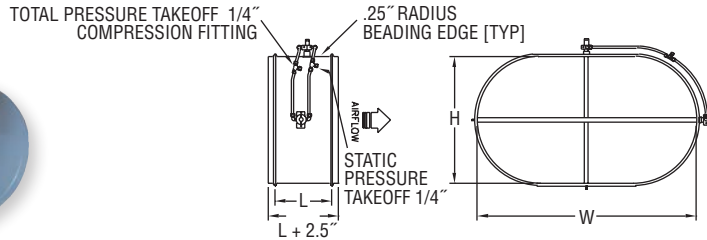
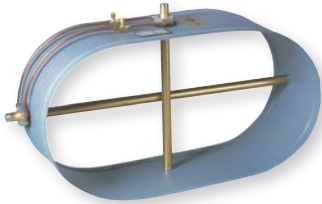


DUCT MOUNTED AIRFLOW MEASUREMENT STATION

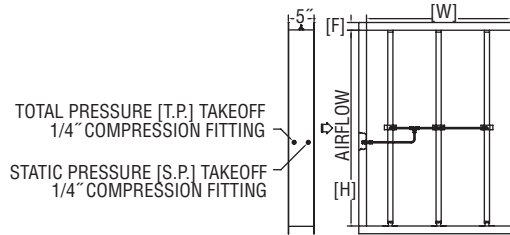
Rectangular, Oval or Circular Configurations



DIMENSIONS - Circular Flange			
Station Size "D"	Flange Thickness	Flange Size "F"	Casing Length "L"
8" - 15"	.064"	1"	6"
16" - 44"	.064"	1-1/2"	6"
45" - 72"	.188"	1-1/2"	10"
73" & over	.188"	2"	12"



DIMENSIONS - Oval Flange			
Station Width "W"	Flange Thickness	Flange Size "F"	Casing Length "L"
Up to 48"	.064"	1-1/2"	6"
Over 48"	.188"	1-1/2"	8"



DIMENSIONS - Rectangular Flange	
Station Size "H" or "W"	Flange Size "F"
8" - 72"	1-1/2"
73" & Over	2"

The **SERIES FLST** Airflow Measurement Station utilizes an airflow averaging element generating a velocity pressure signal similar to the orifice, venturi, and other primary elements. Single or multiple airflow elements are factory mounted and pre-piped in a casing designed for flanged connection to the ductwork. Multiple elements are joined together for connection to a differential measurement device (gauge, transmitter, etc.) for flow measurement and indication purposes.

FEATURES/BENEFITS

- Low signal-to-noise ratio
- Factory mounted and pre-piped in a flanged duct section (casing)
- Standard construction includes galvanized casing and 6063-T5 anodized aluminum flow sensors
- Standard airflow stations can be operated (in air) continuously in temperatures up to 350°F or intermittently in temperatures up to 400°F

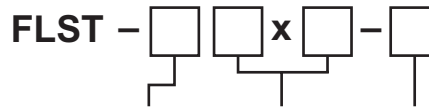
APPLICATIONS

- Building air intake and exhaust flow rate measurement
- HVAC air flow measurement

SPECIFICATIONS

Accuracy: Within 2% of actual flow when installed in accordance with published recommendations.
K-Factor: 0.97.
Velocity Range: 100 to 10,000 FPM (0.51-51 m/s).
Wetted Material: Elements: 6063-T5 anodized aluminum; Casings: 16 ga G90 galvanized steel.
Temperature Limits: Galvanized casings and aluminum elements 350°F (177°C) continuous operation (in air) 400°F (204°C) intermittent operation (in air).
Humidity: All airflow stations 0 to 100% non condensing.
Process Connections: 1/4" compression fittings.

Rectangular or Oval Models



CONFIGURATION HEIGHT (IN) x WIDTH (IN) **OPTION**
 R – Rectangular IM – Internal pressure connections
 O – Oval F – Flange for oval mount station

Note: When ordering rectangular or oval flow stations, pressure taps will always be located on the longer of the two dimensions.

Circular Models





DUCT MOUNTED AIRFLOW MEASUREMENT STATION

Rectangular, Oval or Circular Configurations

MODEL CHART - Series FLST Rectangular or Oval															
Size	8"	10"	12"	14"	16"	18"	20"	22"	24"	26"	28"	30"	32"	34"	36"
8"	X	X	X	X	X	X	X	X	X	X	X	X	X	X	X
10"		X	X	X	X	X	X	X	X	X	X	X	X	X	X
12"			X	X	X	X	X	X	X	X	X	X	X	X	X
14"				X	X	X	X	X	X	X	X	X	X	X	X
16"					X	X	X	X	X	X	X	X	X	X	X
18"						X	X	X	X	X	X	X	X	X	X
20"							X	X	X	X	X	X	X	X	X
22"								X	X	X	X	X	X	X	X
24"									X	X	X	X	X	X	X
26"										X	X	X	X	X	X
28"											X	X	X	X	X
30"												X	X	X	X
32"													X	X	X
34"														X	X
36"															X

Note: When ordering rectangular or oval flow stations, pressure taps will always be located on the longer of the two dimensions.

MODEL CHART - Series FLST Rectangular or Oval																
Size	40"	44"	48"	52"	56"	60"	66"	72"	78"	84"	90"	96"	102"	108"	114"	120"
8"	X	X	X	X	X	X	X	X	X	X	X	X	X			
10"	X	X	X	X	X	X	X	X	X	X	X	X	X			
12"	X	X	X	X	X	X	X	X	X	X	X	X	X	X		
14"	X	X	X	X	X	X	X	X	X	X	X	X	X	X	X	
16"	X	X	X	X	X	X	X	X	X	X	X	X	X	X	X	X
18"	X	X	X	X	X	X	X	X	X	X	X	X	X	X	X	X
20"	X	X	X	X	X	X	X	X	X	X	X	X	X	X	X	X
22"	X	X	X	X	X	X	X	X	X	X	X	X	X	X	X	X
24"	X	X	X	X	X	X	X	X	X	X	X	X	X	X	X	X
26"	X	X	X	X	X	X	X	X	X	X	X	X	X	X	X	X
28"	X	X	X	X	X	X	X	X	X	X	X	X	X	X	X	X
30"	X	X	X	X	X	X	X	X	X	X	X	X	X	X	X	X
32"	X	X	X	X	X	X	X	X	X	X	X	X	X	X	X	X
34"	X	X	X	X	X	X	X	X	X	X	X	X	X	X	X	X
36"	X	X	X	X	X	X	X	X	X	X	X	X	X	X	X	X
40"	X	X	X	X	X	X	X	X	X	X	X	X	X	X	X	X
44"		X	X	X	X	X	X	X	X	X	X	X	X	X	X	X
48"			X	X	X	X	X	X	X	X	X	X	X	X	X	X
52"				X	X	X	X	X	X	X	X	X	X	X	X	X
56"					X	X	X	X	X	X	X	X	X	X	X	X
60"						X	X	X	X	X	X	X	X	X	X	X
66"							X	X	X	X	X	X	X	X	X	X
72"								X	X	X	X	X	X	X	X	X
78"									X	X	X	X	X	X	X	X
84"										X	X	X	X	X	X	X
90"											X	X	X	X	X	X
96"												X	X	X	X	X
102"													X	X	X	X
108"														X	X	X
114"															X	X
120"																X

Note: When ordering rectangular or oval flow stations, pressure taps will always be located on the longer of the two dimensions.

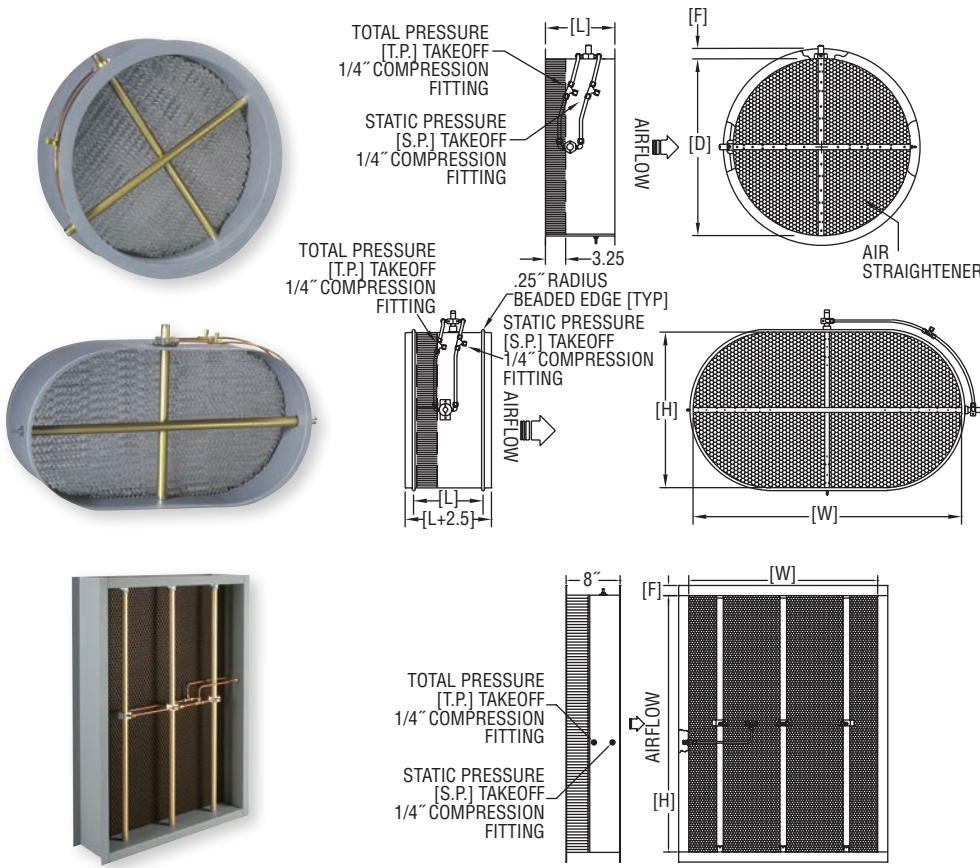
OPTIONS	
To order add suffix:	Description
-IM	Internal pressure connections (rectangular stations only)
-F	Flange (oval stations only)
-SS1	316 SS elements with 16 GA galvanized casing
-SS2	316 SS elements with 16 GA 304 SS casing
-SS3	316 SS elements with 16 GA 316 SS casing

MODEL CHART - SERIES FLST CIRCULAR														
Size	8"	10"	12"	14"	16"	18"	20"	22"	24"	26"	28"	32"	36"	40"
	X	X	X	X	X	X	X	X	X	X	X	X	X	X
Size	44"	48"	54"	60"	66"	72"	78"	84"	90"	96"	102"	108"	114"	120"
	X	X	X	X	X	X	X	X	X	X	X	X	X	X



DUCT MOUNTED AIRFLOW MEASUREMENT STATION

Integral Flow Straightener, Ideal for Turbulent Measuring Conditions



DIMENSIONS - Circular Flange			
Station Size "D"	Flange Thickness	Flange Size "F"	Casing Length "L"
8" - 15"	.064"	1"	8"
16" - 44"	.064"	1-1/2"	8"
45" - 72"	.188"	1-1/2"	10"
73" & over	.188"	2"	12"

DIMENSIONS - Oval Flange (Optional)			
Station Width "W"	Flange Thickness	Flange Size	*Casing Length "L"
Up to 44"	.064"	1-1/2"	8"
Over 44"	.188"	1-1/2"	10"

*All oval flow stations without flange have a casing length of 8".

DIMENSIONS - Rectangular Flange	
Station Size "H" or "W"	Flange Size "F"
8" - 72"	1-1/2"
73" & Over	2"

Flow Sensors

The **SERIES STRA** Airflow Measurement Station utilizes an airflow averaging element generating a velocity pressure signal similar to the orifice, venturi, and other primary elements. Single or multiple airflow elements are factory mounted and pre-piped in a casing designed for flanged connection to the ductwork.

Multiple elements are joined together for connection to a differential measurement device (gage, transmitter, etc.) for flow measurement and indication purposes. It has been developed with a honeycomb airflow straightening section for use in duct systems having highly turbulent conditions at the point of measurement.

FEATURES/BENEFITS

- Honeycomb airflow straightening section with 1/2 opening by 3" depth
- Low signal-to-noise ratio
- Factory mounted and pre-piped in a flanged duct section (casing)
- Standard construction includes galvanized casing and 6063-T5 anodized aluminum flow sensors
- Standard airflow stations can be operated (in air) continuously in temperatures up to 350°F or intermittently in temperatures up to 400°F

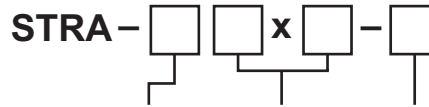
APPLICATIONS

- Building air intake and exhaust flow rate measurement
- HVAC air flow measurement

SPECIFICATIONS

Accuracy: Within 2% of actual flow when installed in accordance with published recommendations.
K Factor: 0.97.
Velocity Range: 100 to 10,000 FPM (0.51 to 51 m/s).
Wetted Materials: Elements: 6063-T5 anodized aluminum; Casings: 16 ga G90 galvanized steel, 3003 aluminum air flow straightener.
Temperature Limits: Galvanized casings and aluminum elements 350°F (177°C) continuous operation (in air), 400°F (204°C) intermittent operation (in air).
Humidity Limits: All airflow stations 0 to 100% non condensing.
Process Connections: 1/4" compression fittings.

Rectangular or Oval Models



CONFIGURATION
 R – Rectangular
 O – Oval

OPTION
 IM – Internal pressure connections
 F – Flange for oval mount station

Note: When ordering rectangular or oval flow stations, pressure taps will always be located on the longer of the two dimensions.

Circular Models





DUCT MOUNTED AIRFLOW MEASUREMENT STATION

Integral Flow Straightener, Ideal for Turbulent Measuring Conditions

MODEL CHART - Series STRA Rectangular or Oval															
Size	8"	10"	12"	14"	16"	18"	20"	22"	24"	26"	28"	30"	32"	34"	36"
8"	X	X	X	X	X	X	X	X	X	X	X	X	X	X	X
10"		X	X	X	X	X	X	X	X	X	X	X	X	X	X
12"			X	X	X	X	X	X	X	X	X	X	X	X	X
14"				X	X	X	X	X	X	X	X	X	X	X	X
16"					X	X	X	X	X	X	X	X	X	X	X
18"						X	X	X	X	X	X	X	X	X	X
20"							X	X	X	X	X	X	X	X	X
22"								X	X	X	X	X	X	X	X
24"									X	X	X	X	X	X	X
26"										X	X	X	X	X	X
28"											X	X	X	X	X
30"												X	X	X	X
32"													X	X	X
34"														X	X
36"															X

Note: When ordering rectangular or oval flow stations, pressure taps will always be located on the longer of the two dimensions.

MODEL CHART - Series STRA Rectangular or Oval																
Size	40"	44"	48"	52"	56"	60"	66"	72"	78"	84"	90"	96"	102"	108"	114"	120"
8"	X	X	X	X	X	X	X	X	X	X	X	X	X	X	X	X
10"	X	X	X	X	X	X	X	X	X	X	X	X	X	X	X	X
12"	X	X	X	X	X	X	X	X	X	X	X	X	X	X	X	X
14"	X	X	X	X	X	X	X	X	X	X	X	X	X	X	X	X
16"	X	X	X	X	X	X	X	X	X	X	X	X	X	X	X	X
18"	X	X	X	X	X	X	X	X	X	X	X	X	X	X	X	X
20"	X	X	X	X	X	X	X	X	X	X	X	X	X	X	X	X
22"	X	X	X	X	X	X	X	X	X	X	X	X	X	X	X	X
24"	X	X	X	X	X	X	X	X	X	X	X	X	X	X	X	X
26"	X	X	X	X	X	X	X	X	X	X	X	X	X	X	X	X
28"	X	X	X	X	X	X	X	X	X	X	X	X	X	X	X	X
30"	X	X	X	X	X	X	X	X	X	X	X	X	X	X	X	X
32"	X	X	X	X	X	X	X	X	X	X	X	X	X	X	X	X
34"	X	X	X	X	X	X	X	X	X	X	X	X	X	X	X	X
36"	X	X	X	X	X	X	X	X	X	X	X	X	X	X	X	X
40"	X	X	X	X	X	X	X	X	X	X	X	X	X	X	X	X
44"		X	X	X	X	X	X	X	X	X	X	X	X	X	X	X
48"			X	X	X	X	X	X	X	X	X	X	X	X	X	X
52"				X	X	X	X	X	X	X	X	X	X	X	X	X
56"					X	X	X	X	X	X	X	X	X	X	X	X
60"						X	X	X	X	X	X	X	X	X	X	X
66"							X	X	X	X	X	X	X	X	X	X
72"								X	X	X	X	X	X	X	X	X
78"									X	X	X	X	X	X	X	X
84"										X	X	X	X	X	X	X
90"											X	X	X	X	X	X
96"												X	X	X	X	X
102"													X	X	X	X
108"														X	X	X
114"															X	X
120"																X

Note: When ordering rectangular or oval flow stations, pressure taps will always be located on the longer of the two dimensions.

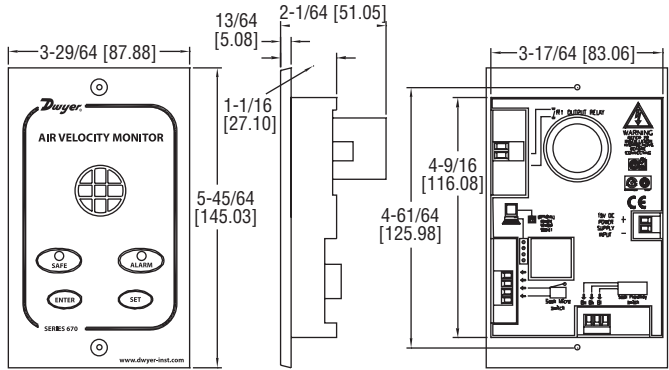
OPTIONS	
To order add suffix:	Description
-IM	Internal pressure connections (rectangular stations only)
-F	Flange (oval stations only)

MODEL CHART - SERIES STRA CIRCULAR														
Size	8"	10"	12"	14"	16"	18"	20"	22"	24"	26"	28"	32"	36"	40"
	X	X	X	X	X	X	X	X	X	X	X	X	X	X
Size	44"	48"	54"	60"	66"	72"	78"	84"	90"	96"	102"	108"	114"	120"
	X	X	X	X	X	X	X	X	X	X	X	X	X	X



FUME HOOD MONITOR

Ensures Proper Fume Hood Performance



The **MODEL 670** Fume Hood Monitor continuously senses air flow through the face of the fume hood, ensuring safe levels of fresh air are exhausting. The 670 provides a highly accurate hot wire sensor to detect very low flows common on fume hoods. The Model 670 comes with everything required to quickly install the unit including a mounting bracket, 24" of tubing for connecting to the inside of the hood wall and a 120 Volt AC power adapter.

FEATURES/BENEFITS

- Flexible surface or flush mounting
- LED safe and alarm status indicators
- Audible alarm
- Sash alarm input
- Night time set-back

APPLICATIONS

- Fume hood ventilation monitoring

SPECIFICATIONS

Service: Fume hood face velocity air flow.
Alarm Range: 30-400 FPM (0.15-2.0 m/s).
Alarm Indication: Red LED & audible alarm.
Low Air Velocity Alarm Delay: Fixed 5 secs.
Visual LED Display: Red: Alarm; Green: Normal.
Horn Silence: Yes-temporary and permanent.
Accuracy: Face velocity $\pm 10\%$.
Temperature Limits: Operating temperature: 55 to 86°F (13 to 30°C); Storage temperature: -40 to 150°F (-40 to 65°C).

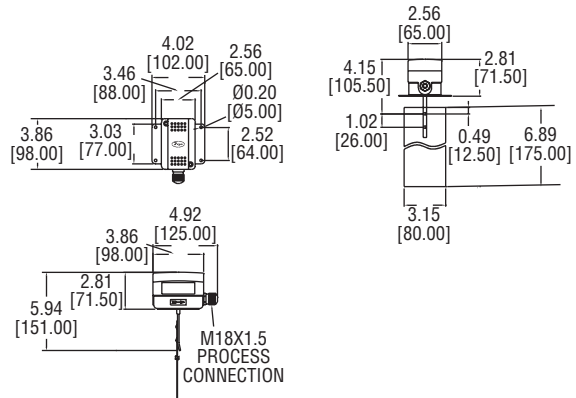
Power Requirement: 15 VDC 500 mA; 120 VAC, 60 Hz power transformer included.
Relay Output Low Air Flow Alarm: 5 A @ 250 VAC.
Relay Input For Night Setback: 2 wire rated for 24 VDC usage.
Sash High Indication: Using a two wire micro switch or 3 wire proximity switch input, rated for 24 VDC usage.
Mounting: Semi flush, flush or surface mounted when using included bracket.
Weight: 5.0 oz (141 g).
Agency Approvals: CE.

MODEL CHART

Model	Description
670	Fume hood monitor

ADJUSTABLE AIR FLOW PADDLE SWITCH

Ranges from 200 to 1800 FPM, Stainless Steel Vane, ABS Housing



The **MODEL AAFS** Adjustable Air Flow Switch is capable of detecting a wide range of air velocities with minimal user calibration. Quality features include a stainless steel vane, galvanized steel base, and ABS enclosure.

FEATURES/BENEFITS

- Adjustable air flow sensitivity from 200 to 1800 FPM
- High current (15 A) rated SPDT contact
- IP65 enclosure rating

APPLICATIONS

- Air flow proving in HVAC systems

SPECIFICATIONS

Service: Air and compatible gas.
Wetted Materials: Vane: SS; Lever: Brass; Base: Galvanized steel.
Housing: ABS.
Temperature Limits: Ambient: -40 to 180°F (-40 to 85°C); Process: -14 to 185°F (-10 to 85°C).
Humidity Limits: 10 to 90%, non-condensing.

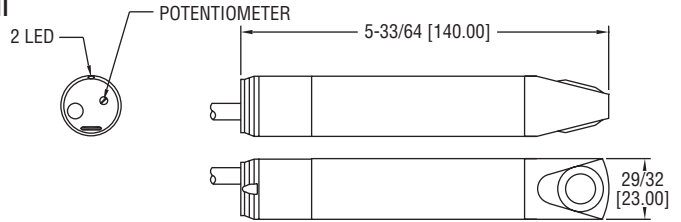
Switch Type: SPDT.
Electrical Rating: 15 (8) A @ 250 VAC.
Electrical Connection: Screw terminal with M18 x 1.5 cable gland.
Process Connection: Flange.
Mounting Orientation: Horizontal duct flow.
Set Point: Internal screw.
Enclosure Rating: IP65.
Weight: 13.6 oz (380 g).

MODEL CHART

Model	Description
AAFS	Adjustable air flow paddle switch

AIR FLOW SWITCH

Monitors Flow in Ducts with Contact Output and Local LED Indication



The **SERIES AVFS** Adjustable Air Flow Switch is specifically designed to monitor air flow in ducts and provides a 3 A contact output to indicate a change or loss of flow. The AVFS provides a +/-5% set-point repeatability across a full scale range of 1-10 m/s (197-1969 fpm) and includes a mounting bracket for quick duct mounting.

FEATURES/BENEFITS

- Integral red/green air flow status LED's
- Flush sensor design limits issues due to dust or particulate in the air flow
- IP65 construction

APPLICATIONS

- Fan monitoring
- Filter monitoring
- Damper feedback
- Air handlers

SPECIFICATIONS

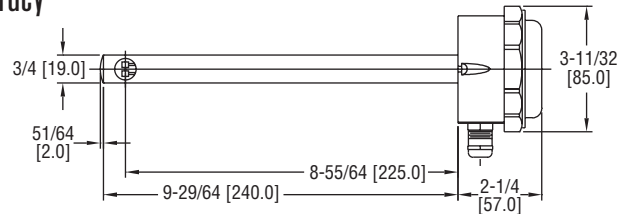
<p>Air Velocity Range: 197-1969 FPM (1-10 m/s).</p> <p>Temperature Limits: 5 to 122°F (-10 to 50°C).</p> <p>Humidity Limits: 0-90% RH.</p> <p>Wetted Materials: PBT body, titanium sensor.</p> <p>Pressure Limit: 14.7 psig (1 bar).</p> <p>Housing: PBT.</p> <p>Repeatability: ±5% FS.</p> <p>Switch Type: N.O. SPST.</p> <p>Electrical Rating: 3 A @ 30 VDC/250 VAC.</p>	<p>Response Time: 3-60 seconds. Varies with flow and set point.</p> <p>Power Requirement: AVFS-1: 80 to 250 AC/DC (47 to 63 Hz AC); AVFS-2: 24 VDC ±25%.</p> <p>Power Consumption: 3 VA.</p> <p>Electrical Connection: 6.5 ft (2 m) cable.</p> <p>Enclosure Rating: IP65.</p> <p>Display: 1 Red LED/1 Green LED.</p> <p>Weight: 7.2 oz (203 g).</p> <p>Agency Approvals: CE.</p>
---	--

MODEL CHART

Model	Description
AVFS-1	80-250 AC/DC power thermo air flow switch
AVFS-2	24 VDC power thermo air flow switch

AIR VELOCITY TRANSMITTER

Ideal for Building Automation Systems, ±5% or ±8% Full Scale Accuracy



The **SERIES AVU** Air Velocity Transmitter is ideal for a wide range of HVAC measurement and control applications, particularly in complete building control and energy management systems.

The Series AVU Transmitter operates by measuring the heat loss from one of the two sensing elements in the air stream, then calculating the air velocity. Units are virtually immune to drift due to the design of the sensing element, which makes the transmitter accurate over the whole air velocity range.

FEATURES/BENEFITS

- 4 to 20 mA or 0 to 10 V output versions
- NEMA 6 (IP67) enclosure rating
- AC or DC powered (loop version DC only)
- 5% or 8% accuracy

APPLICATIONS

- Zone control in HVAC systems
- Supply and exhaust fan tracking
- Clean room systems
- Air pollution studies and manufacturing

SPECIFICATIONS

<p>Service: Clean air and compatible, non-combustible gases.</p> <p>Accuracy: AVU: ±5% of FS; AVUB: ±8% of FS.</p> <p>Response Time (90%): 5 sec (typical).</p> <p>Temperature Limits: 32 to 122°F (0 to 50°C).</p> <p>Humidity Limit: 0-90% RH, non-condensing.</p> <p>Power Requirements: -A models 24 VDC +10% -15%; -V models 24 VDC or 24 VAC +10% - 15%.</p> <p>Output Signal: -A models 4 to 20 mA current loop; -V models 0-10 VDC.</p> <p>Loop Resistance: (-A models) 700 Ω.</p> <p>Current Consumption: 60 mA + output current.</p>	<p>Max. Start Up Current: 85 mA; 10 V.</p> <p>Output Current Limit: (-V models) >10 mA.</p> <p>Electrical Connections: Screw terminal. Cable gland for 4-8 mm wire (16 gauge wire).</p> <p>Enclosure Rating: NEMA 6 (IP67) except sensing point.</p> <p>Probe Dimensions: 9.45 x .75" (240 x 19 mm).</p> <p>Mounting Orientation: Unit not position sensitive. Probe must be aligned with airflow.</p> <p>Weight: 8.8 oz (250 g).</p> <p>Agency Approvals: CE.</p>
---	---

MODEL CHART

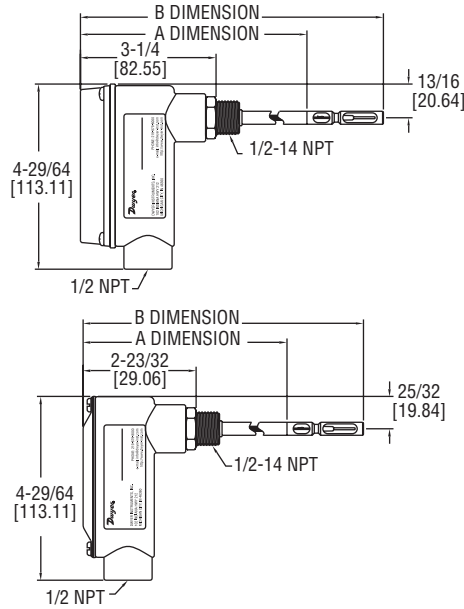
Model	Range fpm (m/s)	Output	Accuracy
AVU-1-A	0 to 785 (0 to 4)	4 to 20 mA	5%
AVU-2-A	0 to 1575 (0 to 8)	4 to 20 mA	5%
AVU-3-A	0 to 3150 (0 to 16)	4 to 20 mA	5%
AVU-1-V	0 to 785 (0 to 4)	0 to 10 VDC	5%
AVU-2-V	0 to 1575 (0 to 8)	0 to 10 VDC	5%
AVU-3-V	0 to 3150 (0 to 16)	0 to 10 VDC	5%
AVUB-1-V	0 to 785 (0 to 4)	0 to 10 VDC	8%
AVUB-2-V	0 to 1575 (0 to 8)	0 to 10 VDC	8%
AVUB-3-V	0 to 3150 (0 to 16)	0 to 10 VDC	8%

OPTION	Description
Use order code:	
NISTCAL-AV1	NIST traceable velocity calibration certificate



AIR VELOCITY TRANSMITTER

High Accuracy, Field Selectable Ranges



641 AVT with Display Option	
A Dimension	B Dimension
7-63/64 [202.80]	9-13/16 [249.24]
13-63/64 [355.20]	15-13/16 [401.64]
19-63/64 [507.60]	21-13/16 [554.04]
26-63/64 [685.40]	28-13/16 [731.84]
32-63/64 [837.80]	34-13/16 [884.24]
37-63/64 [964.80]	39-13/16 [1011.24]

641 AVT without Display Option	
A Dimension	B Dimension
7-7/16 [188.91]	9-9/32 [235.74]
13-7/16 [341.31]	15-9/32 [388.14]
19-7/16 [493.71]	21-9/32 [540.54]
26-7/16 [671.51]	28-9/32 [718.34]
29-7/16 [747.71]	34-9/32 [870.74]
37-7/16 [950.91]	39-9/32 [997.74]



Scan here to watch product video

The **SERIES 641** Air Velocity Transmitter is the ideal instrument for monitoring air flow. This transmitter uses a heated mass flow sensor which allows for precise velocity measurements at various flow rates and temperatures. The 641's 16 field-selectable ranges provides it the versatility to be selected for several air flow applications. The optional LED produces a complete, low-cost solution for local indication of air flow.

FEATURES/BENEFITS

- Ranges from 250 FPM (1.25 MPS) to 15,000 FPM (75 MPS)
- Optional bright LED display
- Easy push button set-up
- Compact housing
- 4 to 20 mA output
- Digital filter for signal damping

APPLICATIONS

- Exhaust stack flow monitoring
- Air control in drying processes
- HVAC air velocity measurements
- Fan supply and exhaust tracking
- Clean room ventilation monitoring

MODEL CHART	
Model	Probe Length*
641-6	6" (152.4 mm)
641-6-LED	6" (152.4 mm)
641-12	12" (304.8 mm)
641-12-LED	12" (304.8 mm)
641-18	18" (457.2 mm)
641-18-LED	18" (457.2 mm)
641-24	24" (609.6 mm)
641-24-LED	24" (609.6 mm)

*Other probe lengths available contact factory.

OPTION	
To order add suffix:	Description
-NIST	NIST traceable calibration certificate
Example: 641-6-NIST	

SPECIFICATIONS

Service: Clean air and compatible, non-combustible gases.
Accuracy: 3% FS process gas: 32 to 122°F (0 to 50°C); 4% FS process gas: -40 to 32°F & 122 to 212°F (-40 to 0°C & 50 to 100°C).
Response Time: Flow: 1.5 seconds to 95% of final value (output filter set to minimum).
Temperature Limits: Process: -40 to 212°F (-40 to 100°C); Ambient: 32 to 140°F (0 to 60°C).
Pressure Limit: 100 psi (6.89 bar) maximum.
Humidity Limit: Non-condensing.
Power Requirements: 12 to 35 VDC, 10 to 16 VAC. 1.5 A rating required on supply due to initial power surge drawn by transmitter.
Output Signal: 4 to 20 mA, isolated 24 V source, 3 or 4-wire connection.
Output Filter: Selectable 0.5 –15 (seconds).
Loop Resistance: 600 Ω max.
Current Consumption: 300 mA max.
Electrical Connections: Screw terminal.
Process Connections: 1/2" male NPT.
Enclosure Rating: Designed to meet NEMA 4X (IP66) for non LED models only.
Mounting Orientation: Unit not position sensitive. Probe must be aligned with airflow.
Weight: 12.6 oz (357.2 g).
Agency Approval: CE.

OPTIONAL DISPLAY VERSION:

Display: 4-1/2 digit 1/2" red LED.
Resolution: 1 FPM, 0.01 MPS (10 FPM @ 10,000 and 15,000 FPM ranges).
Weight: 13.3 oz (377 g).

ACCESSORIES

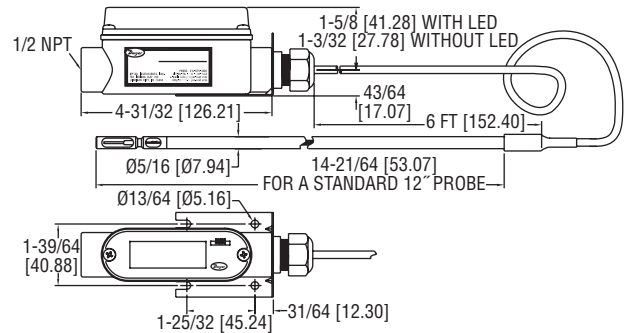
Model	Description
A-156	Universal mounting plate 1/2" female NPT
A-158	Split flange mounting kit
A-159	Duct mounting gland
641-LED	Field-upgradeable LED

AIR VELOCITY TRANSMITTER WITH REMOTE PROBE

For Remotely Mounting Electronic Enclosure



Scan here to watch product video



The **SERIES 641RM** features the same highly accurate heated mass flow sensor as the Series 641, with a remote probe construction. The units 6' cable which connects the sensing probe with the electronic enclosure allows the enclosure to be mounted where it can be more easily accessed.

FEATURES/BENEFITS

- Ranges from 250 FPM (1.25 MPS) to 15,000 FPM (75 MPS)
- Optional bright LED display
- Easy push button set-up
- Compact housing
- 4 to 20 mA output
- Digital filter for signal damping

APPLICATIONS

- Exhaust stack flow monitoring
- Air control in drying processes
- HVAC air velocity measurements
- Fan supply and exhaust tracking
- Clean room ventilation monitoring

MODEL CHART	
Model	Description
641RM-12	Air velocity transmitter with 6' cable
641RM-12-LED	Air velocity transmitter with 6' cable with LED display

ACCESSORIES	
Model	Description
A-156	Universal mounting plate, 1/2" female NPT
A-158	Split flange mounting kit
A-159	Duct mounting gland
641-LED	Field-upgradeable LED

SPECIFICATIONS

Service: Clean air and compatible, non-combustible gases.
Accuracy: 3% FS process gas: 32 to 122°F (0 to 50°C); 4% FS process gas: -40 to 32°F & 122 to 212°F (-40 to 0°C & 50 to 100°C).
Response Time: Flow: 1.5 seconds to 95% of final value (output filter set to minimum).
Temperature Limits: Process: -40 to 212°F (-40 to 100°C); Ambient: 32 to 140°F (0 to 60°C).
Pressure Limit: 100 psi (6.89 bar) maximum.
Humidity Limit: Non-condensing.
Power Requirements: 12 to 35 VDC, 10 to 16 VAC. 1.5 A rating required on supply due to initial power surge drawn by transmitter.

Output Signal: 4 to 20 mA, isolated 24 V source, 3 or 4-wire connection.
Output Filter: Selectable 0.5–15 (seconds).
Loop Resistance: 600 Ω max.
Current Consumption: 300 mA max.
Electrical Connections: Screw terminal.
Mounting Orientation: Unit not position sensitive. Probe must be aligned with airflow.
Weight: 13.2 oz (374.26 g).
Cable Length: 6 ft (1.82 m).
Probe Length: 12" (30.48 cm) standard.
Probe Diameter: 5/16" (0.79 cm).
OPTIONAL DISPLAY VERSION:
Display: 4-1/2 digit 1/2" red LED.
Resolution: 1 FPM, 0.01 MPS (10 FPM @ 10,000 and 15,000 FPM ranges).
Weight: 13.9 oz (394.16 g).

OPTION

To order add suffix:	Description
-NIST	NIST traceable calibration certificate

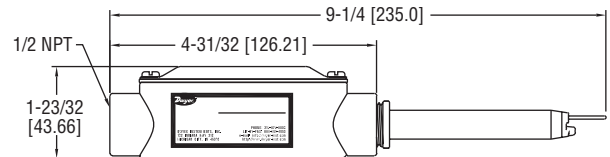
Example: 641RM-12-NIST

AIR VELOCITY TRANSMITTER

Dirty Air Flow Applications



Scan here to watch product video



The **SERIES 641B** Air Velocity Transmitter uses a heated mass flow sensor suitable for dirty air flow applications. It has user-selectable ranges from 250 FPM (1.25 MPS) to 2000 FPM (10 MPS).

FEATURES/BENEFITS

- SS sensor suitable for dirty air flow measurement
- Ranges from 250 FPM (1.25 MPS) to 2000 FPM (10 MPS)
- 4 to 20 mA output
- Digital filter for signal damping

APPLICATIONS

- Exhaust stack flow monitoring
- Air control in drying processes
- HVAC air velocity measurements
- Fan supply and exhaust tracking
- Clean room ventilation monitoring

MODEL CHART	
Model	Description
641B-4	Air velocity transmitter
641B-4-LED	Air velocity transmitter with LED display

SPECIFICATIONS

Service: Air and compatible, non-combustible gases.
Accuracy: 5% FS process gas: 32 to 122°F (0 to 50°C). 6% FS process gas: -40 to 32°F & 122 to 176°F (-40 to 0°C & 50 to 80°C).
Response Time: Flow: 1.5 seconds to 95% of final value (output filter set to minimum).
Temperature Limits: Process: -40 to 176°F (-40 to 80°C); Ambient: 32 to 140°F (0 to 60°C).
Humidity Limit: Non-condensing.

Power Requirements: 12 to 35 VDC, 10 to 16 VAC. 1.5 A rating required on supply due to initial power surge drawn by transmitter.
Output Signal: 4 to 20 mA, isolated 24 V source, 3- or 4-wire connection.
Output Filter: Selectable 0.5–15 (seconds).
Loop Resistance: 600 Ω max.
Current Consumption: 300 mA max*.
Electrical Connections: Screw terminal.
Enclosure Rating: Designed to meet NEMA 4X (IP66).
Mounting Orientation: Unit not position sensitive.
Weight: 12.6 oz (357.2 g).

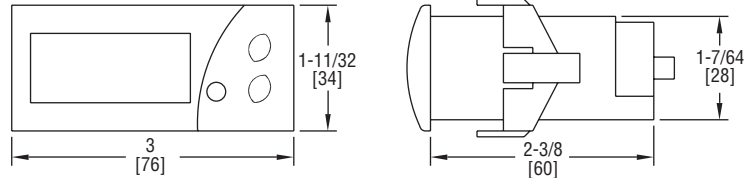
*A brief current transient exceeding 300 mA may be seen on startup

ACCESSORIES

Model	Description
A-155	Mounting gland with 1/2" male NPT fitting
A-156	Flange mounting plate with 1/2" female NPT

HUMIDITY SWITCH

Programmable, 8 A Relay, 3-Digit Display



Panel Cutout 2-51/64" x 1-9/64" (71 x 29 mm)

The **SERIES HS** Humidity Switch provides control for humidifying or dehumidifying systems. Relative humidity, output status, and error messaging can be viewed on the bright green LED. Access to programming parameters can be locked for security purposes using the password protection feature.

FEATURES/BENEFITS

- Relative humidity display and control
- Parameter protection
- 0 to 1 V, 4 to 20 mA or 3 V (THC-P) input selection

APPLICATIONS

- Environmental chambers
- Beer and wine chillers
- Greenhouses

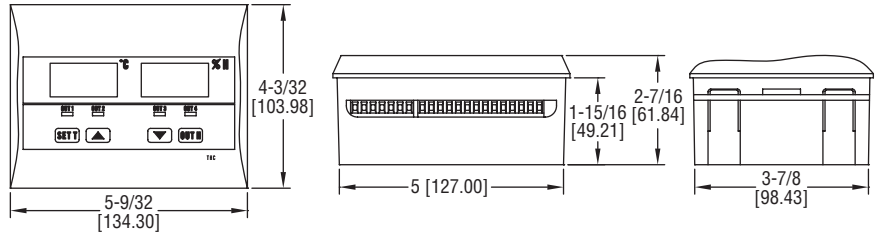
MODEL CHART	
Model	Supply Power
HS-311	115 VAC
HS-312	230 VAC

SPECIFICATIONS	
Relative Humidity Range: 10 to 100% RH.	Output: 16 A SPDT relay @ 250 VAC resistive.
Input: 0 to 1 V, 3 V or 4 to 20 mA.	Horsepower Rating (HP): 1 HP.
Accuracy: THC-P: ±5% @ 20 to 90%; HS: ±1% RH.	Control Type: ON/OFF.
Display: 3-digit, green, 1/2" (12.7 mm) digits.	Power Requirements: 115 VAC or 230 VAC (depending on model).
Resolution: 1 digit.	Memory Backup: Nonvolatile memory.
Temperature Limits: 32 to 158°F (0 to 70°C).	Weight: 2.3 oz (65 g).
Storage Temperature: -4 to 176°F (-20 to 80°C).	Front Panel Rating: IP64.
	Agency Approvals: CE, cUR, UR.

ACCESSORY	
Model	Description
THC-P	Humidity probe, 3 V output, 4 ft (1.2 m) cable

TEMPERATURE/HUMIDITY SWITCH

Independent Displays, 61 Programmable Parameters, 4 SPST Relays



The **SERIES THC** simultaneously measures and controls temperature and humidity. The unit offers a 3-digit red display for temperature indication and a 3-digit green display indicating humidity. The Series THC is equipped with four independent relays, two for temperature control and two relays for humidity control.

The THC Temperature/Humidity Switch accepts up to two temperature probe inputs (sold separately) and a humidity sensor. A humidity sensor with 0 to 1 V, 3 V (THC-P sold separately), or 4 to 20 mA output can be used with the Series THC.

FEATURES/BENEFITS

- Temperature and humidity control in one device
- Password protected parameter settings
- Selectable fail safe status of relay outputs

APPLICATIONS

- Isolation chambers
- Environmental chambers
- Greenhouses
- Beer and wine chillers

MODEL CHART		
Model	Supply Power	Unit
THC-10	115 VAC	°F
THC-11	115 VAC	°C
THC-20	230 VAC	°F
THC-21	230 VAC	°C

SPECIFICATIONS	
Measurement Range: Temperature: -58 to 302°F (-50 to 150°C); Humidity: 0 to 100% RH.	Display: Two 3-digit displays. 1/2" digits.
Input: Up to 2 thermistors and 1 humidity sensor.	Resolution: 0.1°.
Output: 4 SPST, 8 A relays @ 250 VAC.	Memory Backup: Nonvolatile memory.
Horsepower Rating (HP): 1/3 HP.	Ambient Operating Temperature: 32 to 158°F (0 to 70°C).
Control Type: ON/OFF direction, direct or reverse acting, neutral.	Storage Temperature: -4 to 176°F (-20 to 80°C).
Power Requirements: 110 or 230 VAC (depending on model).	Weight: 1.17 lb (530 g).
Accuracy: Temperature ±0.5% of probe range; Humidity: 20 to 90%.	Panel Cutout: 5.15" x 3.97" (131 x 101 mm).
	Front Panel Protection: IP64.
	Agency Approvals: CE.

ACCESSORIES	
Model	Description
THC-P	Humidity probe, 3 V output, 4 ft (1.2 m) cable
TS-5	Temperature probe, PVC with 5 ft (1.5 m) cable
TS-6	Temperature probe, metal with 5 ft (1.5 m) cable
TS-51	Temperature probe, PVC with 10 ft (3 m) cable
TS-61	Temperature probe, metal with 10 ft (3 m) cable

WALL MOUNT HUMIDITY/TEMPERATURE/DEW POINT TRANSMITTER

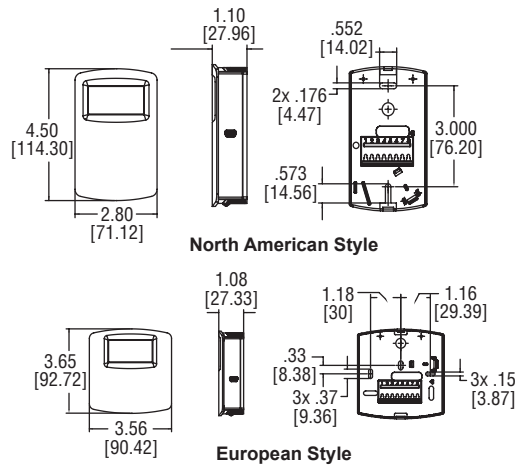
Optional LCD Display, Replaceable Sensors



European Style



North American Style



The **SERIES RHP-E/N** Wall Mount Humidity/Temperature/Dew Point Transmitter is the most versatile room transmitter on the market. The stylish housing is well vented to provide air flow across the sensor to improve measurement accuracy. The humidity and the dew point are measured using a capacitive polymer sensor that completely recovers from 100% saturation. The humidity and dew point can have either a current or voltage output, while the optional temperature output can be a current, voltage, RTD or thermistor. For models with current or voltage for the temperature output, the temperature range is field selectable.

FEATURES/BENEFITS

- Field selectable relative humidity or dew point output
- Field replaceable relative humidity and temperature sensor elements
- Universal analog outputs
- Integral or service tool LCD display options
- Two housing designs to match North American and European aesthetics

APPLICATIONS

- Air economizers
- Room comfort monitoring
- Greenhouse monitoring

MODEL CHART						
Example	RHP	-3	N	A	-LCD	RHP-3N4A-LCD
Series	RHP					Humidity/temperature/ Dew point transmitter
Accuracy		2 3 5				2% accuracy 3% accuracy 5% accuracy
Housing			E N			European style wall mount North American style wall mount
Humidity/ Dew Point Output				4		4-20 mA/0-5 VDC/0-10 VDC
Temperature Output					0 4 A B C D E F	None 4-20 mA/0-5 VDC/0-10 VDC 10K Ω @ 25°C thermistor type III 10K Ω @ 25°C thermistor type II 3K Ω @ 25°C thermistor 100 Ω RTD DIN 385 1K Ω RTD DIN 385 20K Ω @ 25°C thermistor
Options					LCD NIST	LCD display NIST traceable calibration certificate

Ⓜ Items are net priced and are not subject to any discount.

SPECIFICATIONS

Relative Humidity Range: 0 to 100% RH.
Temperature Range: -40 to 140°F (-40 to 60°C) for thermistor and RTD sensors. -20 to 140°F (-28.9 to 60°C) for solid state band gap temperature sensors.
Dew Point Temperature Range: -20 to 140°F (-28.9 to 60°C); 0 to 100°F (-17.8 to 37.8°C); 40 to 90°F (4.4 to 32.3°C); -4 to 140°F (-20 to 60°C) field-selectable ranges.
Accuracy: RH: Model RHP-2XXX ±2% 10 to 90% RH @ 25°C; Model RHP-3XXX ±3% 20 to 80% RH @ 25°C; Model RHP-5XXX ±5% 20 to 80% RH @ 25°C; Thermistor temperature sensor: ±0.36°F @ 77°F (±0.2°C @ 25°C); RTD temperature sensor: DIN Class B; ±0.54°F @ 32°F (±0.3°C @ 0°C); Solid state band gap temperature sensor: ±0.9°F @ 77°F (±0.3°C @ 25°C).
Hysteresis: ±1%.
Repeatability: ±0.1% typical.
Temperature Limits: Operating: -40 to 140°F (-40 to 60°C); Storage: -40 to 176°F (-40 to 80°C).
Compensated Temperature Range: -4 to 140°F (-20 to 60°C).
4-20 mA Loop Powered Outputs: Power requirements: 10 to 35 VDC; Output signal: 4 to 20 mA, 2 channels for humidity/solid state temperature sensor models (loop powered on RH). Switch selectable RH/dew point. Switch selectable normal or reverse output.
0-5/10V Outputs: Power requirements: 15 to 35 VDC or 15 to 29 VAC; Output load: 5 mA max., 2 channels for humidity/solid state temperature sensor models. Switch selectable 0-10 V/2-10 V or 0-5 V/1-5 V output. Switch selectable RH/dew point. Switch selectable normal or reverse output.
Solid State Band Gap Temperature Sensor Output Ranges: Switch selectable, -20 to 140°F (-28.9 to 60°C); 0 to 100°F (-17.8 to 37.8°C); 40 to 90°F (4.4 to 32.3°C); -4 to 140°F (-20 to 60°C).
Response Time: 15 seconds.
Electrical Connections: Screw terminal block.
Drift: <1% RH/year.
RH Sensor: Capacitance polymer.
Enclosure Material: White polycarbonate (European); Warm gray polycarbonate (North American).
Enclosure Rating: IP20.
Display: Optional LCD; Switch selectable %RH or dew point, °F/°C.
Display Resolution: RH: 1%; Temperature: 0.1°F (0.1°C); Dew Point: 1°F (1°C).
Weight: 4.4 oz (125 g).
Agency Approvals: CE.

ACCESSORIES

Model	Description
A-449	Remote LCD display allows remote indication of select Dwyer wall mount transmitters for validation or certification purposes
SCD-PS	100-240 VAC/VDC to 24 VDC power supply

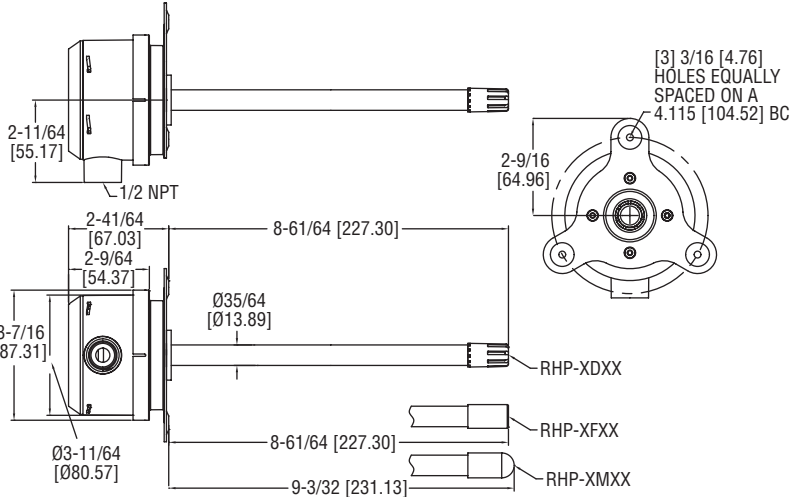
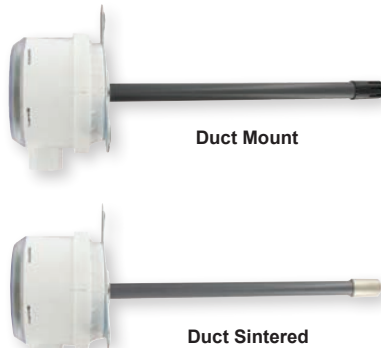
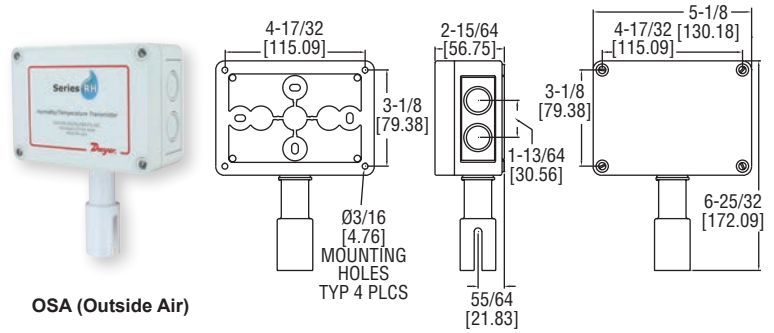
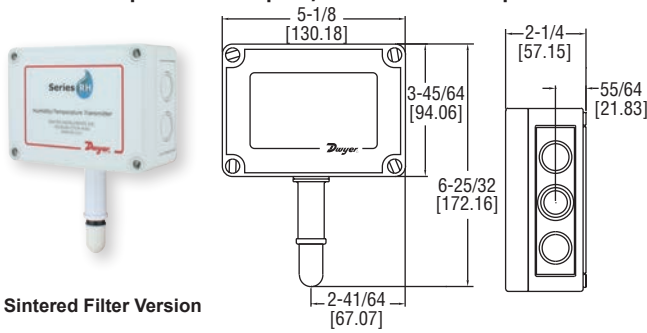


A-449

Humidity/Temperature Transmitters

HUMIDITY/TEMPERATURE TRANSMITTER

Passive Temperature Outputs, Sintered Filter Options



Scan here to watch product video

The **SERIES RHP** Temperature and Humidity Transmitter combine the voltage or current humidity transmitter output with a passive temperature thermistor or RTD output. The polymer capacitance humidity sensor is not affected by condensation, fog, high humidity, or contaminants. The humidity sensors are available with 2%, 3% or 5% accuracies. Duct mounted transmitters are available with an optional two-line alpha numeric LCD display.

FEATURES/BENEFITS

- 2%, 3%, or 5% accuracy models
- Optional LCD display on duct mount models
- Radiation shield option for outdoor installation in direct sunlight

APPLICATIONS

- Air economizers
- Outdoor temperature and relative humidity reference
- Pool room humidity monitoring

MODEL CHART						
Example	RHP	-2	D	1	A	-LCD RHP-2D1A-LCD
Series	RHP					RH/passive temperature sensor transmitter
Accuracy		2 3 5				2% accuracy 3% accuracy 5% accuracy
Housing Type			D F M O S R			Duct mount w/ membrane filter Duct mount w/ SS sintered filter Duct mount w/ HDPE filter OSA (outside air) OSA w/sintered filter* Radiation shield
RH Output				1 2 3		4 to 20 mA 0 to 10 V 0 to 5 VDC
Temperature Sensor					0 1 2 3 A B C D E F	None 4 to 20 mA 0 to 10 VDC 0 to 5 VDC 10K @ 25°C thermistor type III 10K @ 25°C thermistor type II 3K @ 25°C thermistor 100 Ω RTD DIN 385 1K Ω RTD DIN 385 20K Ω @ 25°C thermistor
Options						LCD display NIST traceable calibration certificate

*Model RHRS Radiation Shield is required for sintered filter OSA models.

SPECIFICATIONS

Relative Humidity Range: 0 to 100% RH.
Temperature Range: -40 to 140°F (-40 to 60°C).
Accuracy, RH: RHP-2XXX ±2% 10-90% RH @ 25°C; RHP-3XXX ±3% 20-80% RH @ 25°C; RHP-5XXX ±5% 20-80% RH @ 25°C.
Accuracy, Thermistor Temp Sensor: ±0.2°C @ 25°C (±0.36°F @ 77°F).
Accuracy, RTD Temp Sensor: DIN Class B; ±0.3°C @ 0°C (±0.54°F @ 32°F).
Accuracy, Solid State Band Gap: ±0.9°F @ 77°F (±0.3°C @ 25°C).
Hysteresis: ±1%.
Repeatability: ±0.1% typical.
Temperature Limits: -40 to 140°F (-40 to 60°C).
Storage Temperature: -40 to 176°F (-40 to 80°C).
Compensated Temperature Range: -4 to 140°F (-20 to 60°C).
4 to 20 mA Loop Powered Models: Power requirements: 10 to 35 VDC; Output signal: 4 to 20 mA.
0-5/10V Output Models: Power requirements: 15 to 35 VDC or 15 to 29 VAC; Output signal: 0 to 10 V @ 5 mA max.
Solid State Band Gap Temperature Sensor Output Ranges: Switch selectable, -20 to 140°F (-28.9 to 60°C); 0 to 100°F (-17.8 to 37.8°C); 40 to 90°F (4.4 to 32.3°C); -4 to 140°F (-20 to 60°C).
Response Time: 15 seconds.
Electrical Connections: Removable screw terminal block.
Conduit Connection: Duct mount: 1/2" NPS; OSA: 1/2" (22.3 mm).
Drift: < 1% RH/year.
RH Sensor: Capacitance polymer.
Temperature Sensor: Types 1, 2, 3: Solid state band gap; Curves A, B, C: Thermistor; Curves D, E: Platinum RTD DIN 385.
Enclosure: Duct mount: PBT; OSA: Polycarbonate.
Enclosure Rating: Duct mount: NEMA 4X (IP66) for housing only; OSA: NEMA 4X (IP66).
Display: Duct mount only, optional 2-line alpha numeric, 8 characters/line.
Display Resolution: RH: 0.1%; 0.1°F (0.1°C).
Weight: Duct mount: .616 lb (.3 kg); OSA: 1 lb (.45 kg).
Agency Approvals: CE.

OUTSIDE AIR HUMIDITY RADIATION SHIELD

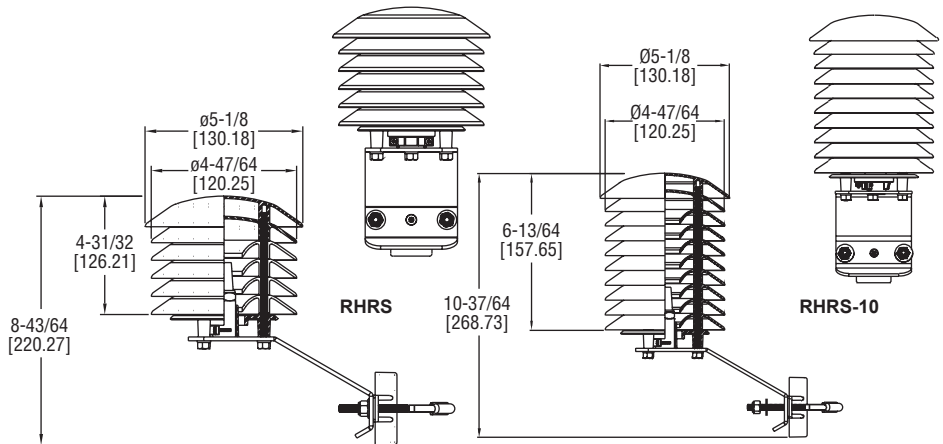
6 or 10 Plate Design, Integral Pipe Mounting Kit



Picture shown with Series RHP Humidity Transmitter* (sold separately)



Scan here to watch product video



The **SERIES RHRS** Radiation Shield protects outside air humidity transmitters from rain and radiated heat. With the curved shape and color of the plates, air flow is able to move across the sensor to keep radiated temperatures from rooftops and surrounding surfaces from affecting humidity readings.

FEATURES/BENEFITS

- Adjustable sensor mounting collar works with Dwyer RHP sintered filter outdoor air humidity transmitters or other RH devices
- Universal mount fits 3/4" to 1-1/2" pipe or flat surfaces

APPLICATIONS

- Building outside air reference
- Weather stations

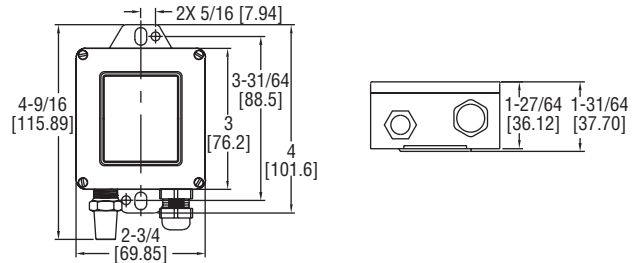
MODEL CHART	
Model	Description
RHRS	6 plate radiation shield
RHRS-10	10 plate radiation shield

Note: Only sintered filter OSA models of Series RHP are compatible with the shield.



WEATHER-RESISTANT HUMIDITY/TEMPERATURE TRANSMITTER

Compact Housing, Sintered Filter



The compact **SERIES WHT** Humidity/Temperature Transmitter is designed to withstand the elements. A removable sintered filter protects the polymer capacitance sensor from solid objects that may come in contact with the transmitter. The transmitter is available with 4 to 20 mA or 0 to 10 VDC output signals for both temperature and humidity. This transmitter is ideal for measuring outside air temperature and humidity levels for air handling economizer applications.

FEATURES/BENEFITS

- RH or RH and temperature outputs
- Compact NEMA 3S construction

APPLICATIONS

- Air handling economizers
- Air environment monitoring in agriculture or livestock cultivation houses

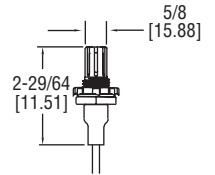
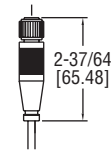
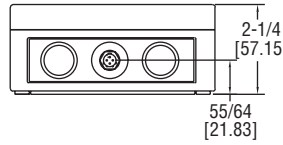
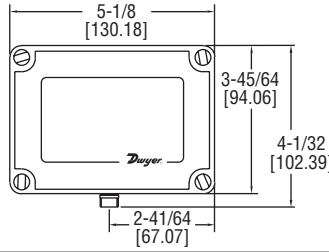
MODEL CHART			
Model	Accuracy	RH Output	Temperature
WHT-310	3%	4 to 20 mA	None
WHT-311	3%	4 to 20 mA	4 to 20 mA
WHT-320	3%	0 to 10 VDC	None
WHT-322	3%	0 to 10 VDC	0 to 10 VDC
WHT-330	3%	0 to 5 VDC	None
WHT-333	3%	0 to 5 VDC	0 to 5 VDC
WHT-31A	3%	4 to 20 mA	10K Q Type III
WHT-32A	3%	0 to 10 VDC	10K Q Type III

Note: For 2% accuracy, change the leading 3 to a 2.
Example: WHT-210.

SPECIFICATIONS	
Relative Humidity Range: 0 to 100% RH.	0 to 10 V Output Models: Power requirements: 15 to 35 VDC or 15 to 29 VAC; Output signal: 0 to 10 V @ 5 mA max.
Temperature Range: -40 to 140°F (-40 to 60°C).	0 to 5 V Output Models: Power requirements: 10 to 35 VDC or 10 to 29 VAC; Output signal: 0 to 5 V @ 5 mA max.
Accuracy, RH: ±3% 20 to 80% RH, ±4% @ 10-20%, 80 to 90%.	Response Time: 15 seconds.
Accuracy, Temp Models with 4 to 20 mA Temp. Output: ±0.9°F @ 72°F (±0.3°C @ 25°C).	Electrical Connections: Removable screw terminal block.
Accuracy, Temp Models with Passive Thermistor Temp Sensor: ±0.36°F @ 77°F (±0.2°C @ 25°C).	Drift: < 1% RH/year.
Hysteresis, RH: ±1%.	RH Sensor: Capacitance polymer.
Repeatability, RH: ±0.1% typical.	Temperature Sensor: 4 to 20 mA output, solid state band gap. Passive output: 10K @ 25°C thermistor (Dwyer curve A).
Temperature Limits: -40 to 140°F (-40 to 60°C).	Enclosure Rating: Designed to meet NEMA 3S (IP54).
Storage Temperature: -40 to 176°F (-40 to 80°C).	Weight: 0.3 oz (8.5 g).
Compensated Temperature Range, RH: -4 to 140°F (-20 to 60°C).	Agency Approvals: CE.
4 to 20 mA Loop Powered Models: Power requirements: 10 to 35 VDC; Output signal: 4 to 20 mA.	

HUMIDITY/TEMPERATURE TRANSMITTER

Remote Mount, Field Replaceable Sensor Filter, Up to 16' Cable



The **SERIES RH-R** Humidity Transmitter is the ideal transmitter for those applications where space is limited. The compact sensor is protected by a removable filter. It can be mounted up to 16 feet away from the weatherproof base. The Series RH-R is ideal for environmental chambers, rubber bladder burst detection and air handler applications.

FEATURES/BENEFITS

- Cable lengths from 4 to 16'
- Remote housing allows for flexibility sensing where space may be limited

APPLICATIONS

- Process system monitoring
- Environmental chambers
- Air economizers

SPECIFICATIONS

Service: Dry clean air.
Relative Humidity Range: 0 to 100% RH.
Temperature Range: -40 to 140°F (-40 to 60°C).
Accuracy: ±2% @ 10-90%.
Temperature Limits: -40 to 140°F (-40 to 60°C).
Storage Temperature: -40 to 176°F (-40 to 80°C).
Compensated Temperature Range: -4 to 140°F (-20 to 60°C).
Power Requirements: 10 to 35 VDC.

Output Signal: 4 to 20 mA loop powered or 0 to 10 VDC.
Response Time: Less than 15 seconds.
Electrical Connections: Terminal block.
Conduit Connection: 1/2" NPT.
Process Connection: 1/2" NPSM.
Drift: Less than 1%/year.
RH Sensor: Capacitance polymer
Cable Length: Up to 16'.
Housing Material: Polycarbonate, aluminum enclosure.
Enclosure Rating: NEMA 4X (IP66).
Agency Approvals: CE.

MODEL CHART

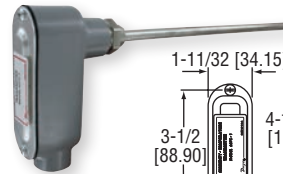
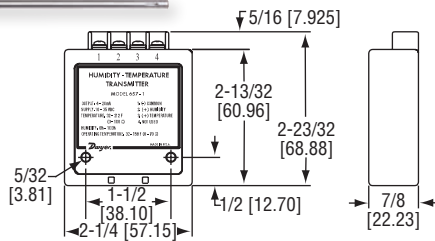
Model	Cable Length	Description	Output	Model	Cable Length	Description	Output
RHU-R004	4'	Humidity	Current	RHU-R104	4'	Humidity	Voltage
RHU-R008	8'	Humidity	Current	RHU-R108	8'	Humidity	Voltage
RHU-R012	12'	Humidity	Current	RHU-R112	12'	Humidity	Voltage
RHU-R016	16'	Humidity	Current	RHU-R116	16'	Humidity	Voltage
RHT-R004	4'	Humidity/temperature	Current	RHT-R104	4'	Humidity/temperature	Voltage
RHT-R008	8'	Humidity/temperature	Current	RHT-R108	8'	Humidity/temperature	Voltage
RHT-R012	12'	Humidity/temperature	Current	RHT-R112	12'	Humidity/temperature	Voltage
RHT-R016	16'	Humidity/temperature	Current	RHT-R116	16'	Humidity/temperature	Voltage

RELATIVE HUMIDITY/TEMPERATURE TRANSMITTER

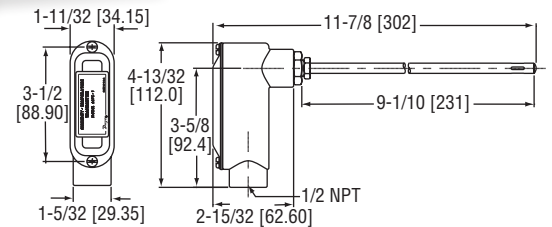
Dual Channel Design for Simultaneous 4 to 20 mA Output Signals



657



657C



The **SERIES 657** Transmitters provide two 4 to 20 mA channels to produce separate output signals for both relative humidity and temperature. These devices deliver ±2% accuracy for humidity and ±1°F for temperature measurements. Stainless steel probe can be easily mounted to most ductwork using either of the two optional kits below.

FEATURES/BENEFITS

- Polymer film humidity and thin film RTD temperature sensors offer highly reliable and stable measurements.
- Remote mount housing offers installation flexibility (657-1)
- Rugged die-cast aluminum housing is great for industrial applications (657C-1)

APPLICATIONS

- Cleanroom monitoring
- HVAC/building control monitoring

MODEL CHART

Model	Description
657-1	RH/temperature transmitter
657C-1	RH/temperature transmitter - conduit housing

ACCESSORIES

Model	Description
A-158	Split flange
A-159	Mounting gland



SPECIFICATIONS

Service: Humidity & temperature detection in air.
Range: Relative humidity: 0 to 100%; Temperature: 32 to 212°F (0 to 100°C).
Accuracy: Relative humidity: ±2% (10 to 90% RH), ±3% (0 to 10% and 90 to 100% RH); Temperature ±1°F (0.5°C).
Temperature Limits: 32 to 140°F (0 to 60°C).
Pressure Limits: 1 psi (.07 bar).
Compensated Temperature Range: 32 to 140°F (0 to 60°C).
Power Requirements: 10 to 35 VDC.
Output Signal: 2 channels each 4 to 20 mA. Loop powered on the RH channel.
Electrical Connections: 4 screw type terminals.
Mounting Orientation: Mount in any position.
Probe: 657-1: Stainless steel 5/16" x 10" (0.8 x 25.4 cm); 657C-1: 5/16" x 9-1/10" (0.8 x 23.1 cm).
Weight: 657-1: 5.5 oz (156 g); 657C-1: 10 oz (284 g).

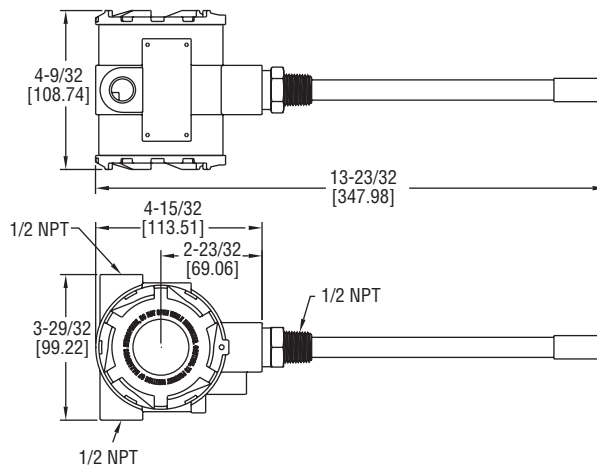
OPTION

To order add suffix:	Description
-NIST	NIST traceable humidity calibration certificate

Example: 657C-1-NIST

HAZARDOUS AREA HUMIDITY/TEMPERATURE TRANSMITTER

Intrinsically Safe or Explosion-Proof Models



The **SERIES HHT** Hazardous Area Humidity/Temperature Transmitter takes accurate measurements in the harshest of environments. The explosion-proof model is offered with 4 to 20 mA output for humidity only. The intrinsically safe version is offered with 4 to 20 mA output for humidity and temperature, and do require an intrinsically safe barrier to meet hazardous area approvals.

It is important to develop a routine schedule for replacing the RH/temperature sensor (part number A-451). The sensor should be replaced annually or sooner depending on application conditions.

FEATURES/BENEFITS

- FM approved explosion-proof and intrinsically safe models
- Integral LCD option
- Replaceable calibrated sensor for long term use in harsh environments
- Dual temperature and relative humidity output models

APPLICATIONS

- Process monitoring
- Offshore HVAC monitoring
- Dust and grain handling

MODEL CHART			
Model	Protection	Description	Display
HHT-EU	Explosion-proof	Humidity	No
HHT-IU	Intrinsically safe	Humidity	No
HHT-IT	Intrinsically safe	Humidity/temperature	No
HHT-EU-LCD	Explosion-proof	Humidity	Yes
HHT-IT-LCD	Intrinsically safe	Humidity/temperature	Yes

ACCESSORIES	
Model	Description
KFD0-SCS-EX1.55	Loop powered galvanic isolator
A-287	Mounting bracket for pipe or surface mounting (Includes bracket and two 2" U-bolts)
A-450	Replacement sintered filter
A-451	Replacement 2% sensor

SPECIFICATIONS
Relative Humidity Range: 0 to 100% RH.
Temperature Range: -40 to 140°F (-40 to 60°C).
Accuracy: ±2% 10 to 90% RH, ±0.9°F at 72°F (±0.3°C at 25°C).
Hysteresis: ±1%.
Repeatability: ±0.1% typical.
Temperature Limits: -40 to 140°F (-40 to 60°C).
Storage Temperature: -40 to 176°F (-40 to 80°C).
Compensated Temperature: -40 to 140°F (-40 to 60°C).
Power Requirements: For intrinsically safe models HHT-IX, 9.5 to 28 VDC. For explosion-proof models HHT-EX, 16.5 to 28 VDC.
Output Signal: 4 to 20 mA, 2 channels for humidity/temperature models (loop power on RH).
Response Time: 15 seconds.
Electrical Connections: Screw terminal block.
Conduit Connection: 1/2 female NPT.
Drift: < 1% RH/year.
RH Sensor: Capacitance polymer.
Temperature Sensor: Solid state band gap.
Housing Material: Aluminum.
Display: Optional 2 line alpha numeric, 8 characters/line. Temperature display is °F/°C selectable.
Display Resolution: RH: 0.1%; Temperature: 0.1°F (0.1°C).
Weight: 2 lb 8 oz (1134 g).
Enclosure Rating: NEMA 4X (IP66). Models HHT-EX: FM Explosion- Proof, Class I Div. 1 Group B, C, D, Class II Div. 1 Group E, F, G, Class III Div. 1; Models HHT-IX: FM Intrinsically Safe, Class I Div. 1 Group A, B, C, D, Class II Div. 1 Group E, F, G, Class III Div. 1 T4.
Agency Approvals: CE, FM.

Humidity/Temperature Transmitters

See page 298 (Model KFD0)

CARBON DIOXIDE/TEMPERATURE TRANSMITTER

NDIR CO₂ Sensor, Universal Outputs, Optional Relay



European Style



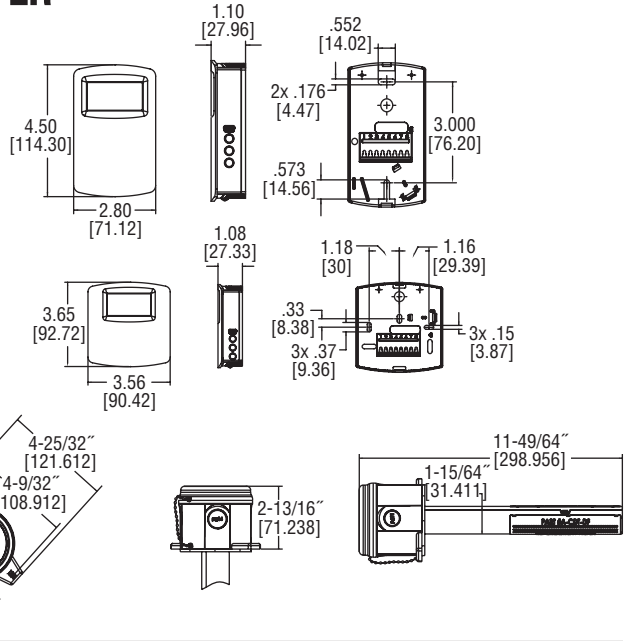
North American Style



Duct



Scan here to watch product video



The **SERIES CDT** Carbon Dioxide and Temperature Transmitters accurately monitor the CO₂ concentration and temperature in indoor environments to help achieve energy savings. For increased sensor accuracy, a single beam dual wavelength non-dispersive infrared (NDIR) sensor is used to automatically correct the measurement in both occupied* and unoccupied buildings against light source aging effects. The single beam dual wavelength sensor technology provides the highest level of accuracy compared to Automatic Baseline Correction methods which can unintentionally shift the calibration based on CO₂ levels and barometric pressure conditions. In order to achieve a higher level of accuracy, the Series CDT includes digital barometric pressure adjustment and the ability to field-calibrate the sensor.

For applications that require visual indication, the wall mount configurations of the Series CDT can be ordered with an integral LCD display. Push buttons are standard on all configurations of the transmitters for access to the menu structure, but wall mount configurations can be ordered without the buttons. To prevent tampering, the action of the buttons can be locked out using an internal dip switch selection.

FEATURES/BENEFITS

- Single beam dual wavelength NDIR sensor eliminates draft due to light source aging
- Integral passive temperature outputs reduce number of devices mounted in the space
- Service display tool available for models without an integral LED
- Optional integral display and relay output

APPLICATIONS

- Demand control ventilation in schools, office buildings, hospitals, and other indoor environments
- LEED® certification

*For buildings occupied 24 hours per day, it is recommended that calibration be verified every 6 to 12 months depending on application.

MODEL CHART						
Example	CDT	-2	N	4	4	-LCD
Series	CDT					
Range		2 5				0 to 2000 ppm CO ₂ range 0 to 5000 ppm CO ₂ range
Configuration			N E D			North American style wall mount European style wall mount Duct mount
CO ₂				4		4 to 20 mA / 0 to (5 or 10) VDC
Temperature Output					0 4 A B C D E F	None 4 to 20 mA / 0 to (5 or 10) VDC 10 KΩ NTC thermistor type III 10 KΩ NTC thermistor type II 3 KΩ NTC thermistor Pt100 Ω RTD Pt1000 Ω RTD 20 KΩ NTC thermistor
Options						FC LCD RLY NBC
						Factory calibration certificate LCD display (wall only) Relay No buttons (wall only)

SPECIFICATIONS

Sensor: Single beam, dual wavelength NDIR.	Duct Air Velocity Range: 0-4000 FPM (20.32 m/s).
Range: CO ₂ : 0 to 2000 or 0 to 5000 ppm (depending on model); Temperature: 32 to 122°F (0 to 50°C).	Temperature Limits: 32 to 122°F (0 to 50°C).
Accuracy: CO ₂ : ±40 ppm ±3% of reading; RH: ±2% (10 to 90% RH);	Humidity Limits: 10 to 95% RH (non-condensing).
Temperature Dependence: ±1°C @ 25°C.	Power Requirements: 16 to 35 VDC or 19 to 28 VAC.
Temperature Dependence: ±8 ppm/°C at 1100 ppm.	Power Consumption: Average: 2 w; Peak: 3.75 w.
Non-Linearity: 16 ppm.	Output: Current: 4 to 20 mA (max. 500 Ω); Voltage: 0 to 5 VDC or 0 to 10 VDC (min. 500 Ω); Relay: SPST NO rated 2 A @ 30 VDC.
Pressure Dependence: 0.13% of reading per mm of Hg.	Weight: 4.4 oz (125 g).
Response Time: 2 min for 99% step change.	Agency Approvals: CE.

ACCESSORIES

Model	Description
GCK-200CO-2000CO2	Calibration gas kit includes a 99.99% nitrogen gas cylinder for calibrating the zero point and a 200 PPM CO / 2000 PPM CO ₂ gas cylinder for calibrating the span point on Dwyer's gas sensing transmitters
A-449	Remote LCD display allows remote indication of select Dwyer® wall mount transmitters for validation or certification purposes
A-449A	Remote LCD display with buttons allows remote indication and calibration of select Dwyer® wall mount transmitters for validation and certification purposes
A-CDT-KIT	Accessory kit including terminal block and power supply



GCK-200CO-2000CO2



A-449

LEED® is a registered trademark of the U.S. Green Building Council.

COMMUNICATING CARBON DIOXIDE DETECTOR

Measures CO₂, Humidity, Temperature, Temperature Set Point, and Override

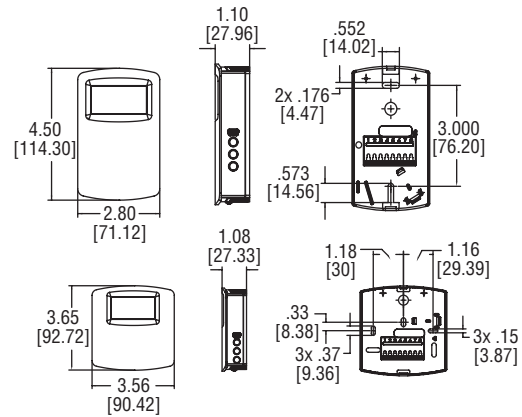


Scan here to watch product video



European Style

North American Style



The **SERIES CDTA** Communicating Carbon Dioxide Detector combines the function of three room sensors into a single, compact housing. Parameters include carbon dioxide, humidity, temperature, and temperature set point with override. By having field selectable Modbus® and BACnet Communications, only four wires are needed for power and the communication signal. The communicating detectors can be daisy chained together to further reduce installation cost. In order to reduce the set up time, the RS-485 MAC address is set up using on board dip switches. A second set of dip switches are used to select whether output is Modbus® RTU or BACnet MS/TP communication protocols and to limit access to the set up menu. Like our Series CDT Carbon Dioxide Transmitter, the Series CDTA uses a Single Beam Dual Wavelength Non-Dispersive Infrared (NDIR) sensor to measure the carbon dioxide level. This technology can be used in installations that will be occupied 24 hours per day. For improved accuracy, the transmitter can be field calibrated to the environmental conditions of the installation. Also, the barometric pressure can be programmed to correct for altitude. The humidity uses a capacitive polymer sensor and the temperature is measured using a 10KΩ thermistor sensor. The humidity sensor is field replaceable without the need for additional calibration. Optional local and remote displays are available to display any of the parameters. For applications in which the building occupants aren't familiar with CO₂ concentrations, the LCD can be programmed to display temperature, humidity, or temperature set point instead.

FEATURES/BENEFITS

- Digital Intelligent Temperature Compensation Algorithm (DITCA™) corrects for errors due to self heating effects of combination wall sensors
- Field selectable Modbus® and BACnet communications reduces wiring
- Single beam dual wavelength CO₂ sensor
- Replaceable humidity/temperature sensor
- Physical hardware lockout
- Optional remote display tool

APPLICATIONS

- Demand control ventilation in schools, office buildings, hospitals, and other indoor environments
- LEED® certification

MODEL CHART			
Model	CO ₂ Concentration	Housing	Display
CDTA-2N000	2000 PPM	North American	No
CDTA-2N000-LCD	2000 PPM	North American	Yes
CDTA-2E000	2000 PPM	European	No
CDTA-2E000-LCD	2000 PPM	European	Yes
CDTA-5N000	5000 PPM	North American	No
CDTA-5N000-LCD	5000 PPM	North American	Yes
CDTA-5E000	5000 PPM	European	No
CDTA-5E000-LCD	5000 PPM	European	Yes

OPTION	
To order add suffix:	Description
-FC	Factory calibration certificate
Example: CDTA-2N000-FC	

SPECIFICATIONS
Sensor (CO₂): Single beam, dual wavelength NDIR; Humidity: Capacitive polymer; Temperature: 10KΩ thermistor.
Range: CO ₂ : 0 to 2000 or 5000 PPM CO ₂ (depending on model); Humidity: 0 to 100% RH; Temperature: 32 to 122°F (0 to 50°C).
Accuracy: CO ₂ : ±40 ppm ±3% of reading; RH: ±2% (10 to 90% RH); Temperature: ±1°C @ 25°C.
Temperature Dependence (CO₂): ±8 ppm / °C at 1100 ppm.
Non-Linearity (CO₂): 16 ppm.
Pressure Dependence (CO₂): 0.13% of reading per mm of Hg.
Response Time (CO₂): 2 minutes for 99% step change.
Temperature Limits: 32 to 122°F (0 to 50°C).
Humidity Limits: 10 to 95% RH (non-condensing).
Power Requirements: 10 to 42 VDC / 10 to 30 VAC.
Power Consumption: Average: 0.5 watts; Peak: 1.2 watts.
Output: 2-wire RS-485, Modbus® RTU or BACnet MS/TP communication protocol.
Weight: 4.4 oz (125 g).
Agency Approvals: BTL, CE.

ACCESSORIES	
Model	Description
GCK-200CO-2000CO2	Calibration gas kit includes a 99.99% nitrogen gas cylinder for calibrating the zero point and a 200 PPM CO / 2000 PPM CO ₂ gas cylinder for calibrating the span point on Dwyer's gas sensing transmitters
A-449	Remote LCD display allows remote indication of select Dwyer® wall mount transmitters for validation or certification purposes
A-449A	Remote LCD display with buttons allows remote indication and calibration of select Dwyer® wall mount transmitters for validation and certification purposes
A-CDT-KIT	Accessory kit including terminal block and power supply



GCK-200CO-2000CO2

A-449

Carbon Dioxide Transmitters

CARBON DIOXIDE/RH/TEMPERATURE TRANSMITTER

NDIR CO₂ Sensor, Universal CO₂/RH Outputs, Optional Relay



European Style



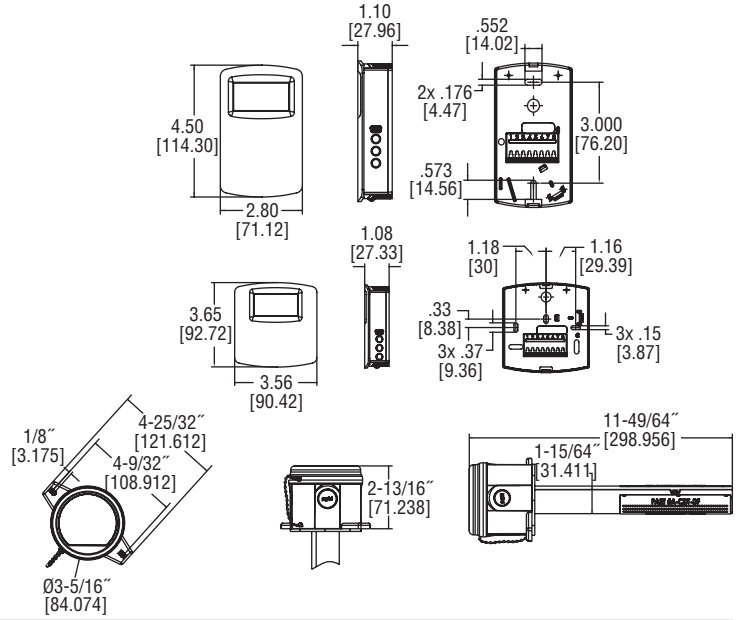
North American Style



Duct



Scan here to watch product video



The **SERIES CDTR** Carbon Dioxide, Relative Humidity and Temperature Transmitters reduce the number of sensors mounted on a wall or in a duct. By combining CO₂, RH, and temperature in one device, system integrators are able to reduce installation time while lowering material cost at the same time.

Like our popular Series CDT Carbon Dioxide Transmitter, a single beam dual wavelength non-dispersive infrared (NDIR) sensor is used to automatically correct the measurement in both occupied* and unoccupied buildings against light source aging effects. In order to achieve the best possible accuracy, the Series CDTR also includes digital barometric pressure adjustment and the ability to field calibrate the sensor. Universal outputs for both carbon dioxide and relative humidity allow users to select the transmitter output to be 4 to 20 mA, 0 to 5 VDC, or 0 to 10 VDC to work with virtually any building management controller. Additionally, passive thermistor or RTD sensor can be ordered for a temperature output.

For applications that require visual indication, the wall mount configurations of the Series CDTR can be ordered with an integral LCD display. The display can be configured to display temperature only, relative humidity only, CO₂ only, CO₂ and humidity, or CO₂ and temperature. Push buttons are standard on all configurations of the transmitters for access to the menu structure. To prevent tampering, the action of the buttons can be locked out using an internal jumper selection.

FEATURES/BENEFITS

- Digital Intelligence Temperature Compensation Algorithm (DITCA™) eliminates error due to the self heating effects of wall mount combination devices.
- Single beam dual wavelength NDIR CO₂ sensor
- Replaceable humidity/temperature sensors
- Physical hardware lockout
- Service display tool available for duct mount and wall mount units without an LCD
- Relay output option

APPLICATIONS

- Demand control ventilation in schools, office buildings, hospitals, and other indoor environments
- LEED® certification

*For buildings occupied 24 hours per day, it is recommended that calibration be verified every 6 to 12 months depending on application.

SPECIFICATIONS

Range: CO ₂ : 0 to 2000 or 0 to 5000 ppm (depending on model); Relative humidity: 0 to 100%; Temperature: 32 to 122°F (0 to 50°C).	Humidity Limits: 10 to 95% RH (non-condensing).
Accuracy: ±40 ppm + 3% of reading (CO ₂); ±2% (RH).	Power Requirements: 16 to 35 VDC / 19 to 28 VAC.
Temperature Dependence: ±8 ppm / °C at 1100 ppm.	Power Consumption: Average: 2 watts; Peak: 3.75 watts.
Non-Linearity: 16 ppm.	Sensor: Single beam, dual wavelength NDIR.
Pressure Dependence: 0.13% of reading per mm of Hg.	Output: Current: 4 to 20 mA (max 500 Ω); Voltage: 0 to 5 VDC or 0 to 10 VDC (min 500 Ω); Relay: SPST NO 2 A @ 30 VDC; RTD or thermistor per r-t curves (depending on model).
Response Time: 2 minutes for 99% step change.	Weight: 5.6 oz (158.8 g).
Temperature Limits: 32 to 122°F (0 to 50°C).	Agency Approvals: CE.

MODEL CHART

Example	CDTR	-2	N	4	A	4	-LCD	CDTR-2N4A4-LCD
Series	CDTR							CDTR Carbon Dioxide/RH/ Temperature Transmitter
Range		2	5					0 to 2000 ppm CO ₂ range 0 to 5000 ppm CO ₂ range
Configuration			N	E				North American style wall mount European style wall mount Duct mount
CO₂ Output				4				4 to 20 mA / 0 to (5 or 10) VDC
Temperature Output					0	A		None 10K Ω NTC thermistor type III 10K Ω NTC thermistor type II 3K Ω NTC thermistor Pt100 Ω RTD Pt1000 Ω RTD 20K Ω NTC thermistor
RH Output							4	4 to 20 mA / 0 to (5 or 10) VDC
Options								FC Factory calibration certificate LCD LCD display (wall only) RLY Relay NBC No buttons (wall only)

ACCESSORIES

Model	Description
GCK-200CO-2000CO2	Calibration gas kit includes a 99.99% nitrogen gas cylinder for calibrating the zero point and a 200 PPM CO / 2000 PPM CO ₂ gas cylinder for calibrating the span point on Dwyer's gas sensing transmitters
A-449	Remote LCD display allows remote indication of select Dwyer® wall mount transmitters for validation or certification purposes
A-449A	Remote LCD display with buttons allows remote indication and calibration of select Dwyer® wall mount transmitters for validation and certification purposes
A-CDT-KIT	Accessory kit including terminal block and power supply



CARBON MONOXIDE/NITROGEN DIOXIDE GAS TRANSMITTER

High Accuracy Electrochemical Sensor, Universal Output or BACnet & Modbus® Communication Protocol Options



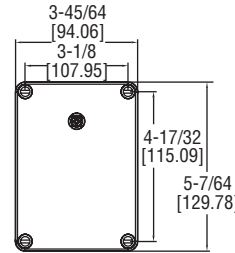
Wall Mount With LCD



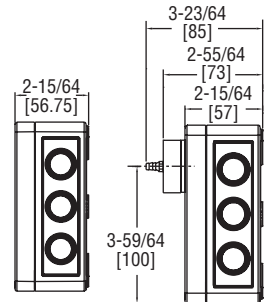
Wall Mount Without LCD



Duct Mount



Wall Mount



Duct Mount



Scan here to watch product video

The **SERIES GSTA AND GSTC** Carbon Monoxide/Nitrogen Dioxide Gas Transmitters monitor gas concentrations in mechanical rooms, underground parking garages and loading docks. The carbon monoxide transmitter is used to measure the exhaust of gasoline engines, while the nitrogen dioxide transmitter is used for diesel engines. The Series GSTA features field selectable current and voltage outputs while the Series GSTC features BACnet or Modbus® communication protocol, allowing gas sensing solutions that can be used with almost any building management controller.

FEATURES/BENEFITS

- Industrial grade replaceable CO or NO₂ sensors
- Field selectable current or voltage output on GSTA models, and field selectable BACnet or Modbus® communication on GSTC models
- Integral LCD display option
- Service display tool for set-up and calibration of models without a LCD

APPLICATIONS

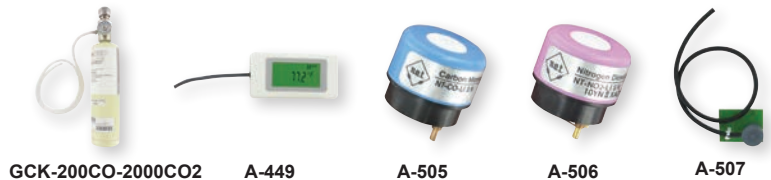
- Garage or loading dock ventilation
- Mechanical room monitoring

MODEL CHART			
Example	GSTA	-C	GSTA-C
Series	GSTA GSTC		Field selectable analog outputs Field selectable BACnet or Modbus®
Gas Sensed		C N	CO, carbon monoxide NO ₂ , nitrogen dioxide
Options		- D LCD	Wall mount without LCD Duct mount Wall mount with LCD

ACCESSORIES	
Model	Description
GCK-200CO-2000CO2	Calibration gas
A-449	Remote LCD display
A-505	CO replacement sensor
A-506	NO ₂ replacement sensor
A-507	Calibration adapter

SPECIFICATIONS

Sensor: Field replaceable electrochemical, 4 years typical lifespan.
Range: CO: 0 to 500 PPM, NO₂: 10 PPM.
Output Drift: <5% per year in air.
Coverage Area: 5000 to 7500 sq ft typical.
Accuracy: CO: 2% FS, NO₂: 3% FS, at the time of calibration.
Resolution: CO: 1 PPM; NO₂: 0.1 PPM.
Temperature Limits: -4 to 122°F (-20 to 50°C).
Storage Temperature: For best sensor life, 32 to 68°F (0 to 20°C).
Humidity Limits: 15 to 90% RH constant; 0 to 99% RH intermittent.
Response Time: <45 s to 90% CO, <25 s to 90% NO₂.
Span and Zero Adjustment: Via pushbutton, using optional A-449 display. Zero only via BACnet or MODBUS® communication protocol.
Housing: UV resistant glass filled polycarbonate.
Output Signals: GSTA: Switch selectable 4 to 20 mA (loop powered), 0 to 5 V @ 5 mA, or 0 to 10 V @ 5 mA; Switch selectable 0 to 5 V / 1 to 5 V and 0 to 10 V / 2 to 10 V; Switch selectable normal or reverse output; GSTC: BACnet MS/TP, Modbus® RTU, or Modbus® ASCII (switch selectable) communication protocol.
Power Requirements: GSTA: Current output: 10 to 35 VDC, Voltage output: 15 to 35 VDC or 15 to 29 VAC; GSTC: 10 to 36 VDC or isolated 21.6 to 33 VAC.
Electrical Connection: Removable terminal block, knock outs for conduit fitting.
Calibration: Via pushbuttons using A-449 auxiliary display. Span gas concentration is field selectable.
Enclosure Rating: IP64.
Weight: 1 lb (0.45 kg).
Agency Approvals: CE.



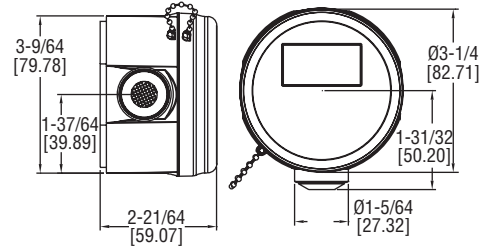


CARBON MONOXIDE TRANSMITTER

Current/Voltage Selectable Output, 200 PPM Range



Scan here to watch product video



The **MODEL CMT200** Carbon Monoxide Transmitter provides a field selectable current or voltage output that is proportional to the gas concentration in underground parking garages, vehicle maintenance facilities, or mechanical rooms.

FEATURES/BENEFITS

- Field selectable current or voltage outputs
- Replaceable sensor
- Field calibration kits

APPLICATIONS

- Garage ventilation
- Mechanical room monitoring

MODEL CHART

Model	Description
CMT200	Carbon monoxide transmitter

ACCESSORIES

Model	Description
GCK-200CO-2000CO2	Calibration gas
A-507A	Calibration adapter
A-505A	Replacement CO sensor

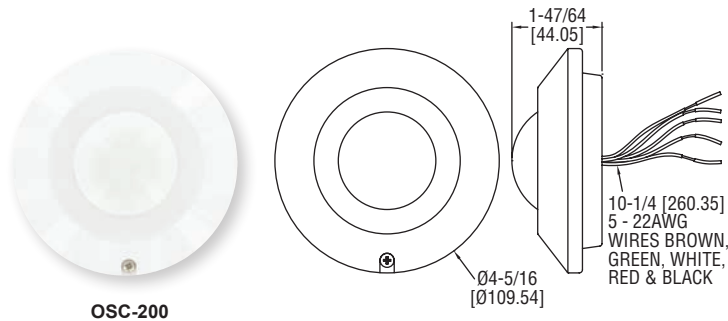
SPECIFICATIONS

Sensor: Field replaceable electrochemical, 4 year typical lifespan.
Range: 0 to 200 ppm.
Coverage Area: 5000 to 7000 sq. ft. typical.
Accuracy: ±2% of reading at the time of calibration.
Output Drift: <5% per year in air.
Temperature Limits: -4 to 122°F (-20 to 50°C).
Storage Temperature: For best sensor life, 32 to 68°F (0 to 20°C).
Humidity Limits: 15 to 90% RH constant; 0 to 99% RH intermittent.
Response Time: <45 seconds to 90% of final value.

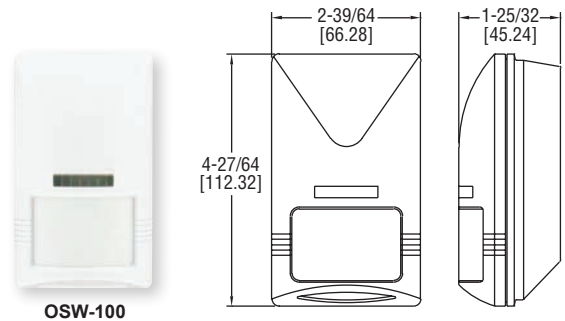
Calibration: 15 turn span and zero adjustment potentiometers.
Housing: UV resistant polycarbonate.
Output: Jumper selectable 4 to 20 mA (loop powered) or 2 to 10 V (load must be >50 KΩ).
Power Requirements: Current Output: 18 to 28 VDC; Voltage Output: 18 to 28 VDC/VAC, reverse polarity protected.
Electrical Connection: Removable terminal block, includes two PG11 and one PG 16 knockouts for conduit fitting.
Weight: 0.28 lb (0.11 kg).
Agency Approvals: CE.

OCCUPANCY SENSOR

Wide Viewing Angle, Easy To Install



OSC-200



OSW-100

The **MODEL OSC-200** Omnidirectional Occupancy Sensor helps to automate building control systems. A spherical Fresnel lens provides a 360° detection zone with the use of infrared technology.

The **MODEL OSW-100** Wall Mount Occupancy Sensor is an infrared sensor designed to help automate building control systems. The Model OSW-100 has a wide 110° viewing angle to capture movement up to 49.2' (15 m) away.

FEATURES/BENEFITS

- Delay processor suppresses switch activation during momentary occupancy

APPLICATIONS

- Lighting control
- Building energy conservation

SPECIFICATIONS

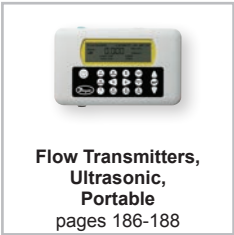
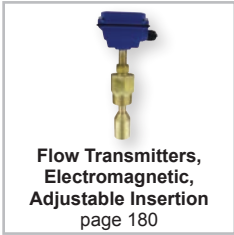
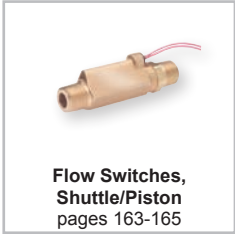
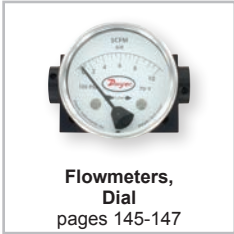
Infrared Sensor: Dual element.
Range: OSC-200: 34.4' (10.5 m) diameter at 13.8' (4.2 m) mount height; OSW-100: 49.2' (15 m).
Detectable Speed: 0.33 to 9.8 ft/s (0.1 to 3.0 m/s).
Control Output Rating: SPDT, 0.2 A @ 30 VDC.
Ambient Operating Temperature: -4 to 140°F (-20 to 60°C).
Power Consumption: Standby: 5 mA; Operating: 18 mA.
Mounting Height: OSC-200: 7.9 to 13.8' (2.4 to 4.2 m); OSW-100: 5.9 to 11.8' (1.8 to 3.6 m).
Power Requirements: 22 to 26 VAC/DC.
Weight: OSC-200: 2.4 oz (68 g); OSW-100: 3.2 oz (90.7 g).
Agency Approvals: CE.

MODEL CHART

Model	Description
OSC-200	Omnidirectional occupancy sensor
OSW-100	Wall mount occupancy sensor

TYPICAL APPLICATIONS
pages 120-122

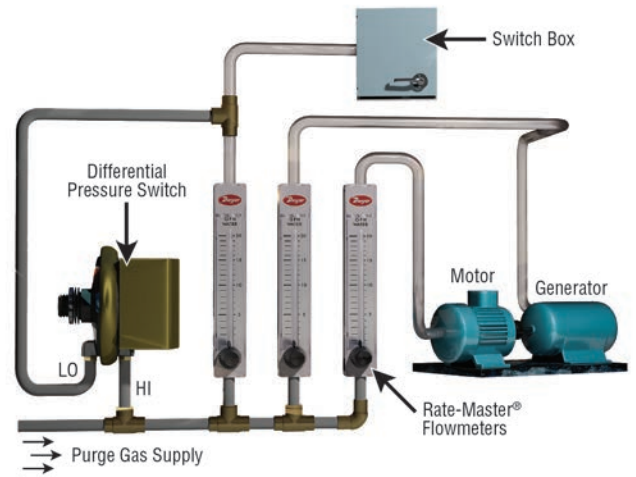
TECHNICAL INFORMATION
page 123





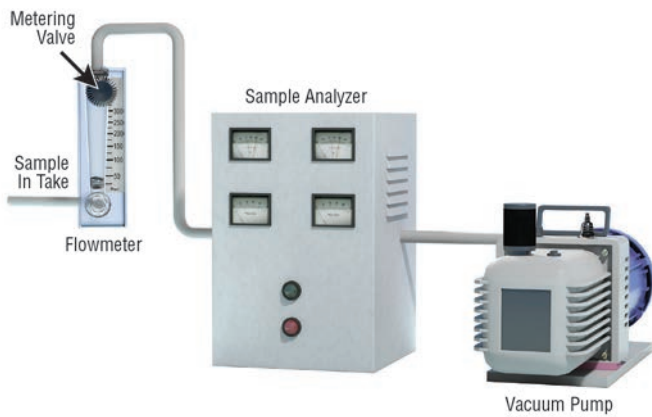
Designers of a bio-medical incubator rely on a Dwyer® flowmeter to control CO₂ flow.

This low temperature incubator with CO₂ atmosphere is used in bio-medical applications, such as short term blood work and long term tissue culture studies. CO₂ is introduced at a high initial purge rate controlled by a timer. After the purge period, a Dwyer® Visi-Float® flowmeter with a metering valve is utilized to adjust and monitor the CO₂ flow in cubic centimeters per minute. The Visi-Float® flowmeter provides the reliability and accuracy needed to complement the host of high performance features designed into this incubator.



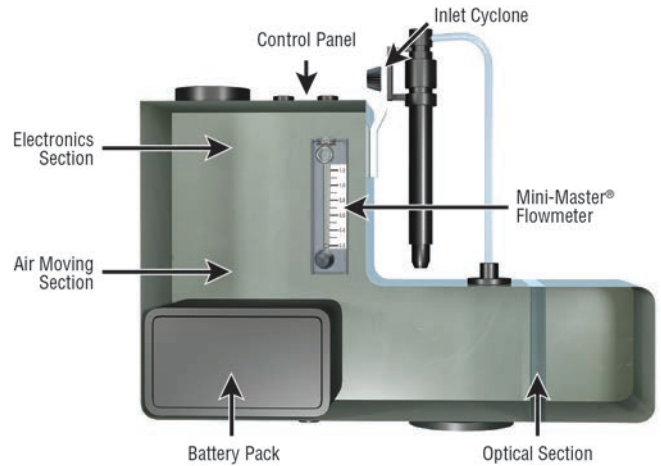
Flowmeters and/or differential pressure switches monitor vital purge gas flow to motors, switchgear, instruments.

To purge motors, generators, switchgear, and industrial instrument cases, Dwyer® flowmeters are installed in the supply line to indicate a flow of air, manufactured inert gas, or nitrogen to these devices. The flowmeters (with valves) allow maintenance personnel to set the flow quickly and recheck anytime to make sure proper flow continues. A Dwyer® differential pressure switch can also be used to monitor proper flow on a continuous basis and provide a signal or alarm if purge gas flow fails. Such an optional switch is shown above, monitoring proper flow of purge gas to the switchbox as a function of pressure drop across the flowmeter. The purging of electrical equipment in hazardous areas may require more extensive control and monitoring devices.



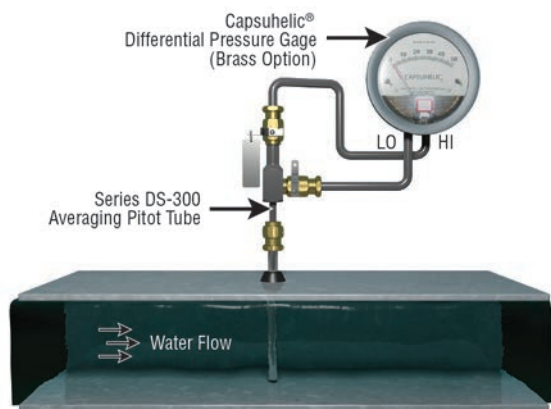
Metering valves on Dwyer® flowmeters control air/gas intake on permanent air pollution analyzers.

Regulations regarding air pollution levels require continuous monitoring a source and ambient pollutants in areas where noxious gases are generated. Ambient air quality samplers utilize either Visi-Float® or Rate-Master® flowmeters to establish the proper flow of sample or carrier gases into the analyzer. Top mounted metering valves are recommended for flowmeters used in vacuum service to maintain specified accuracy.



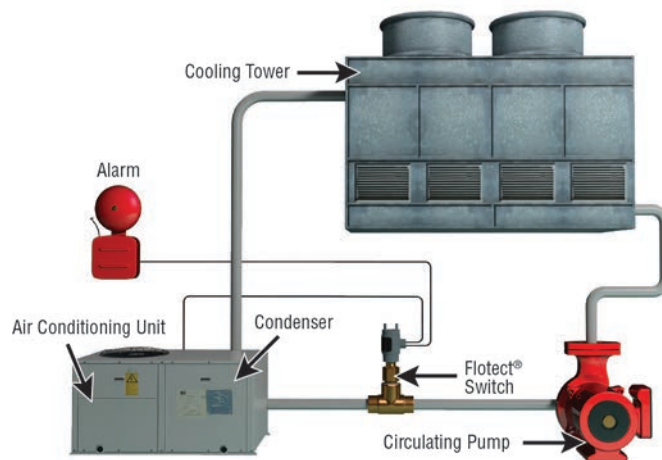
Operator uses Mini-Master® flowmeter to verify air flow into portable dust monitor.

The small size, accuracy, and low cost of the Dwyer® Mini-Master® Series flowmeter lends itself perfectly to use in this portable, battery-operated dust monitor. Using a light scattering electronic sampler, a small vacuum pump draws air through the flowmeter into the sampling chamber, and the flowmeter verifies the proper volume of sample air flow. Readout is digital and directly in dust weight per cubic meter of air.



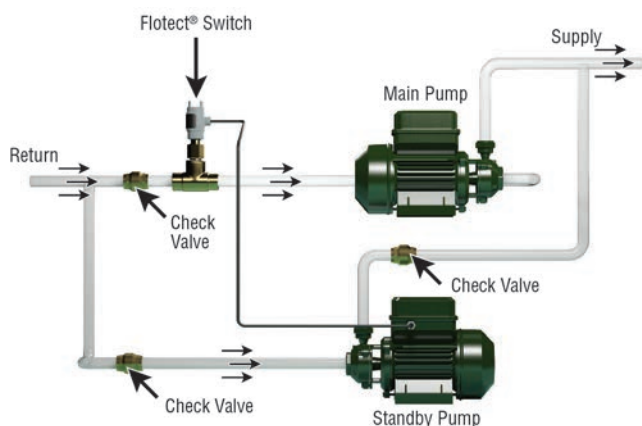
Brass body gage measures water flow rates.

A Dwyer® brass body Capsuhelic® differential pressure gage, required for water service to prevent corrosion damage to the gage, is used in conjunction with a Dwyer® Series DS-300 averaging Pitot tube. The Capsuhelic® gage provides a basic method of measuring water flow rates. As a guide in selecting the appropriate Capsuhelic® gage range, the designer can consult data provided with the DS-300 averaging Pitot tube. This relates differential pressure in inches of water column to the water flow in gallons per minute for the pipe size involved. The gage can be calibrated directly in GPM if desired. Bleed fittings installed in the top ports of the gage are recommended to facilitate removal of air from the system.



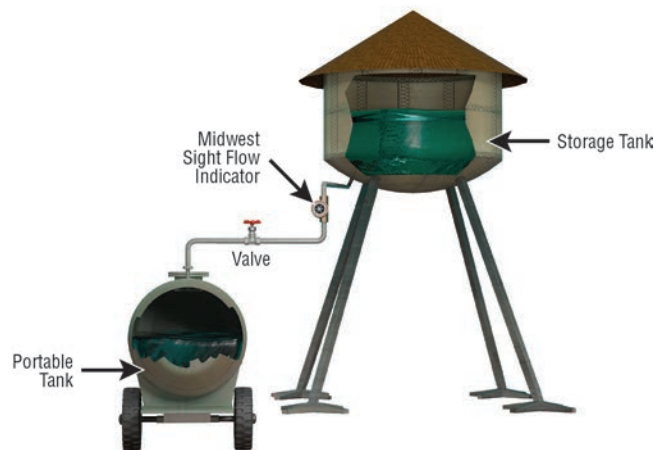
Flotect® flow switch ensures cooling water circulation before air conditioning compressor motor starts.

Large air conditioning and refrigeration systems which include water cooled condensers require that the water must circulate through the condenser and cooling tower in sufficient volume before the compressor is started. Here the W.E. Anderson® Flotect® flow switch is connected to the compressor control circuit to prevent starting or to shut down the compressor control circuit if the flow of cooling water falls below that required for proper operation. A dual Flotect® switch (available as an option) will also trigger a remote alarm to signal the operator of the shutdown as soon as it occurs.



When main pump fails, Flotect® flow switch transfers to standby pump to maintain vital fluid circulation.

When proper fluid circulation in a system is critical, the W.E. Anderson® Flotect® flow switch will automatically start a standby pump should the main pump fail. The flow in the main path of the parallel system illustrated keeps the Flotect® flow switch in an open position. When the main pump fails, the flow will cease. The flow switch then closes, starting the standby pump.



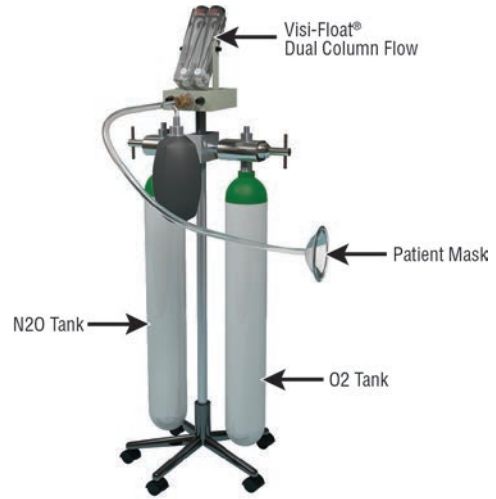
W.E. Anderson® Midwest Sight Flow Indicator reveals flow or stoppage.

In this gravity feed system delivering liquid fertilizer to portable tanks, a Midwest Model 100 sight flow indicator was installed. The operator can see the rotating vanes to check for adequate flow at any time.



Flows of air and gases used in a special furnace are controlled by Dwyer® flowmeters.

A total of eleven Dwyer® Rate-Master® flowmeters function in the design of this sophisticated conveyor belt furnace used in manufacturing electronic devices. The flowmeters provide precise adjustment and monitoring of the flows of air and gases into the various portions of the furnace, which allow it to perform different operations, such as decarburizing and oxidizing, metallic package sealing, glass package sealing, and glass-to-metal sealing.



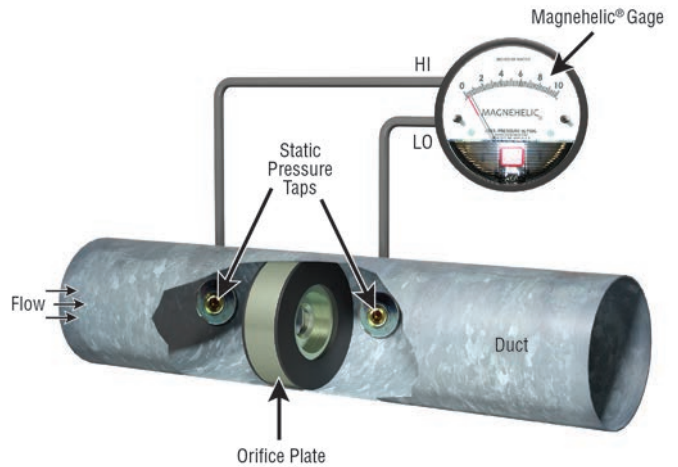
Durable dual-column flowmeter adds value for physicians and oral surgeons.

Physicians and oral surgeons who use anesthesia or analgesia in their offices on an occasional basis require a system that is reliable but small and portable. One such system employs special Dwyer® dual-column Visi-Float® flowmeters to meter and monitor precise flows of nitrous oxide and oxygen to the patient. In addition to meeting the performance level demanded by this application, the Visi-Float® flowmeters are durable and attractive complements to this important and visible medical device.



Salt corrosion test cabinet includes a Dwyer® flowmeter for adjustment of bubbler air flow.

Prior to atomizing a heated salt solution to produce a fog inside this corrosion test cabinet, compressed air is bubbled through a heated water column to properly heat and humidify the air. A Dwyer® Visi-Float® VFA flowmeter, as part of the system, provides precise adjustment of the bubbler air flow to meet test standards.

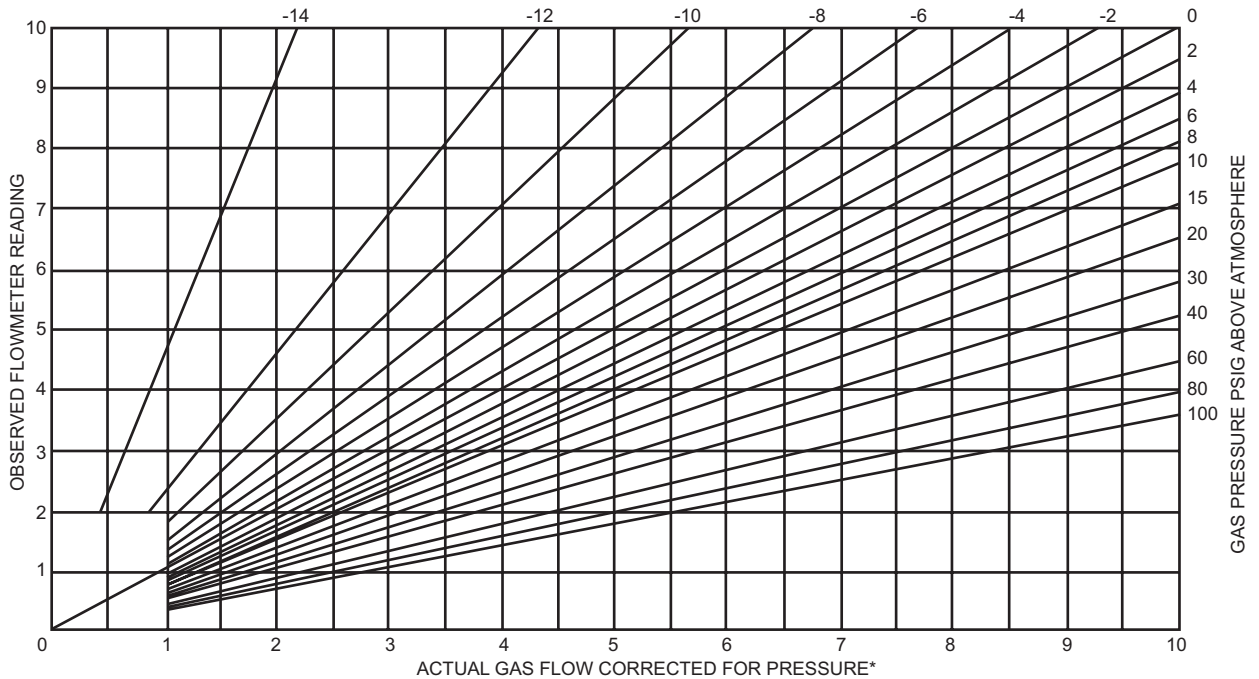


Measuring air velocity with an orifice plate.

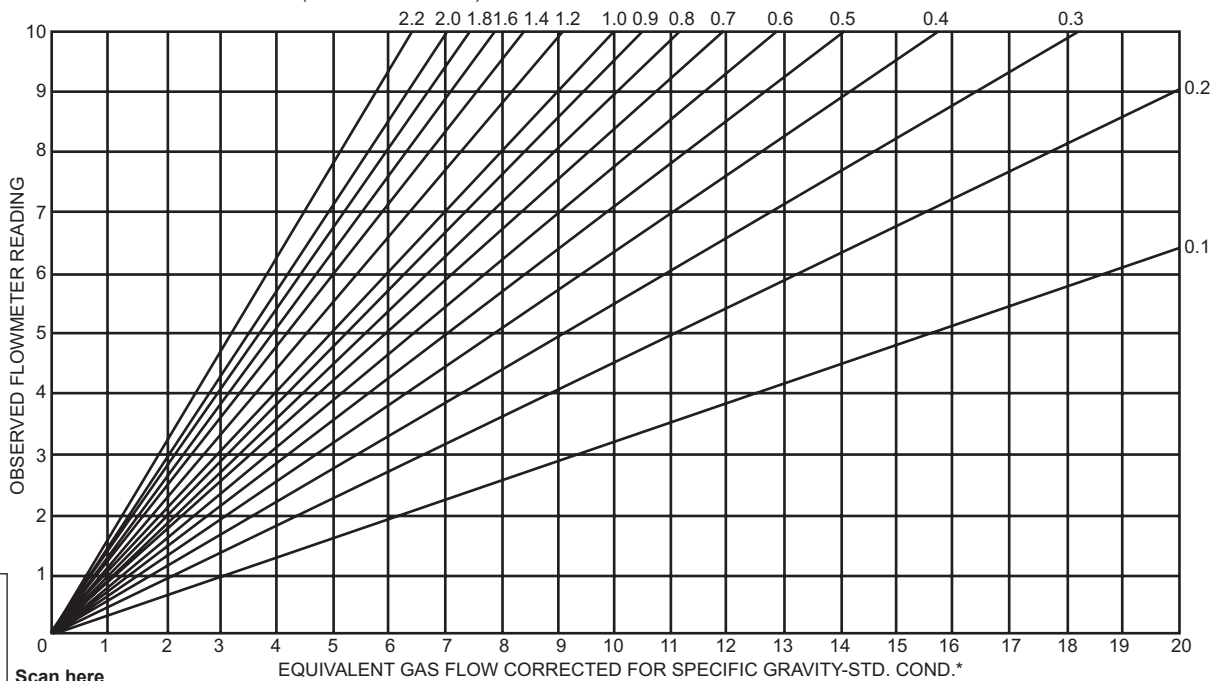
In this set-up, the Magnehelic® gage measures higher air velocities as a function of the pressure drop across a sharp-edged orifice plate in the pipe. The pressure drops can be converted to air velocity using orifice plate data supplied by the manufacturer. Details regarding available sizes, ranges, installation, and limitations are available from orifice plate manufacturers and from standard handbooks. A Dwyer® Durablock® inclined manometer or Photohelic® differential pressure switch/gage can also be used. In addition to the visual reading gage, the Photohelic® switch/gage provides an alarm signal or shutdown control function. Pressure sensing taps should be located on the side or top of the pipe or duct to prevent condensation from draining into sensing lines or gages.

CONVERSION CURVES FOR GASES

GAS PRESSURE PSIG BELOW ATMOSPHERE



SPECIFIC GRAVITY OF GAS (REFERRED TO AIR)



Scan here to watch product video

If more convenient, approximate correction factors may be determined using the following formulas:

A. Pressure: $Q_2 = Q_1 \times \sqrt{\frac{P_1 \times T_2}{P_2 \times T_1}}$

Where: Q_1 = Actual or observed flowmeter reading
 Q_2 = Standard flow corrected for pressure and temperature
 P_1 = Actual pressure (14.7 psia + gage pressure)
 P_2 = Standard pressure (14.7 psia, which is 0 psig)
 T_1 = Actual temperature (460 R + temp °F)
 T_2 = Standard temperature (530 R, which is 70°F)

B. Specific Gravity: $Q_2 = Q_1 \times \sqrt{\frac{1}{S.G.}}$

Where: Q_1 = Observed flowmeter reading
 Q_2 = Standard flow corrected for specific gravity
 1 = Specific gravity of air or water
 S.G. = Specific gravity of media being used in flowmeter originally calibrated for air or water.

Note: The corrections shown in the curves and in the formulas are for variations in specific gravity and internal pressure* only. Further correction may be necessary for variations in viscosity and changes in type of flow from laminar to turbulent or vice versa. This is particularly true in the case of extremely low flows of the lighter gases. Nevertheless these charts and correction factors can be quite useful when dealing with small changes in pressure* and specific gravity.

*Measured at discharge on all but TMV units. Inlet pressure on TMV models.



MINI-MASTER® FLOWMETERS

Used to Indicate or Manually Control Air or Water, Compact Size



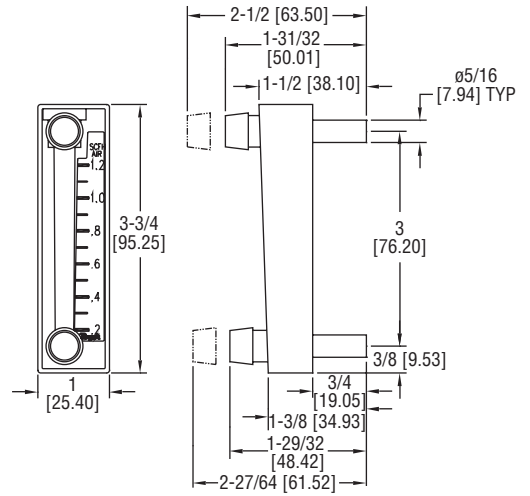
Standard Model MMA



Standard Model MMA with field configurable valve, bottom mount



Standard Model MMA with field configurable valve, top mount



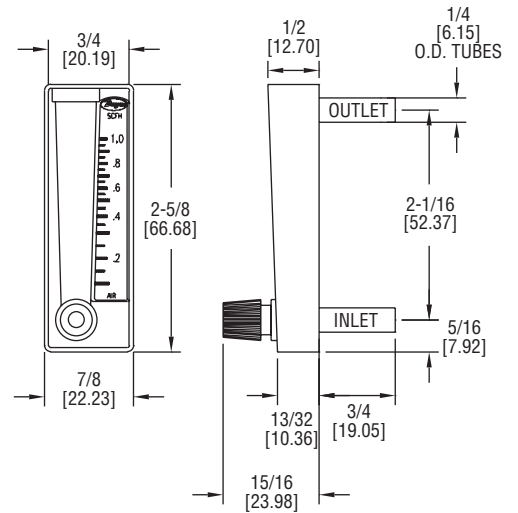
Model MMF-50-PV
1-1/2" scale, with metering valve, knob.



Model MMF-10
with 1-1/2" scale, no valve.



Model MMF-10-TMV
with top-mounted valve for vacuum service. Use screwdriver to adjust.



Flowmeters, Variable Area



Scan here to watch product video

Offering advanced features at low cost, the **SERIES MM** flowmeters are ideal for a wide range of OEM and user applications in medical equipment, air samplers, gas analyzers, pollution monitors, chemical injectors, cabinet purging, etc. The standard Model MMA flowmeter is suitable for both gas and liquid applications. It can be configured by the user with the parts provided to have non-removable top or bottom front mounted metering valves or no valve at all. The transparent nylon material provides high chemical resistance, low moisture absorption and is transparent to facilitate routine inspection. Using the assembly key provided, the flowmeter can be disassembled anytime for cleaning or reconfiguration. In OEM quantities, ultrasonically welded caps or interchangeable mold cores enable production of the MMA flowmeter with a low profile or flat front surface where no valve is required. The MMA is practically unbreakable, mounts easily, and is easy to read. Two 5/16" OD mounting — connection tubes permit quick push-on connection of rubber or plastic tubing. A bottom clip for "stand up" mounting is also provided. Despite its compactness, the MMA flowmeter features a 2" scale which combined with precision molding, enables highly repeatable readings to be made to within $\pm 4\%$ accuracy.

Where a compact flowmeter is required to measure small volume air flows, the Model MMF is recommended. Easy to mount, they require a minimum of panel space. A white back on the flow tube makes the ball float easy to see. The 1-1/2" scale is highly visible and easy to read. Scale graduations are printed on aluminum alongside the flow tube (not on it), so the position of ball float is instantly visible. The Model MMF's bezel type mounting is modern, attractive and quickly installed from the front of instrument panel. Two 1/4" OD mounting-connection tubes are integrally molded with flowmeter body. They can be back connected to flexible rubber or plastic tubing and held in place with two spring retainers which are furnished. If preferred, connections may be made to metal or rigid plastic tubing with a double compression fitting or nylon tube union such as Dwyer Part No. A-328. Excellent repeatability and $\pm 10\%$ accuracy make the MMF flowmeter an excellent value at its low cost.

MINI-MASTER® FLOWMETERS

Used to Indicate or Manually Control Air or Water, Compact Size

SPECIFICATIONS - MMA	
Service: Compatible gases and liquids.	
Wetted Materials: Body: Nylon 12; O-rings: Buna-N (optional materials available); Float: Black glass, K monel, stainless steel, tungsten carbide.	
Temperature Limit: 130°F (54°C).	
Pressure Limit: 100 psi (6.9 bar) with compression fitting. 50 psi (3.4 bar) with tubing clamp.	
Accuracy: ±4% FS.	
Process Connection: 5/16" OD for push on rubber or plastic tubing with provided spring tubing clamp. Connect to rigid tubing with double compression fitting.	
Weight: 1 oz (28.35 g).	

MODEL CHART	
Model	Description
MMA	Standard MMA
How To Order: MMA-Range No.	
Example: MMA-4	
(Series MMA with .5-5 SCFH air range)	

ACCESSORY - MMA	
Model	Description
A-327	5/16" union

RANGE CHART - MMA			
Range No.	SCFH Air	Range No.	LPM Air
3	.5 to 2.5	20	.2 to 1.2
4	.5 to 5	21	.25 to 2.5
5	1 to 10	22	.5 to 5
6	2 to 20	23	1 to 10
7	5 to 50	24	2.5 to 25
8	10 to 100	25	5 to 50
9	20 to 200	26	10 to 100
10	30 to 300	27	15 to 150
Range No.	GPH Water	Range No.	CC/Min. Water
30	1 to 8	35	5 to 50
31	1 to 16	36	10 to 150
32	4 to 40	37	20 to 200
33	5 to 60	38	50 to 500
Range No.	LPM Water		
40	.1 to 1.1		
41	.25 to 2.5		
42	.3 to 3.5		



MMA tubing connections secured by clamp. "Standup" mounting clip shown.



Spring retainers on connection tubes secure panel mounted MMA. Compression union, P/N A-327 shown.



Model MMF mounts easily from front of panel. Drill two 9/32" or 5/16" dia. holes in panel on 2-1/16" centers. Insert mounting connector spuds. From rear, slide on the two spring retainers (furnished) and push on rubber or plastic tubing.



Model MMF connections. Connector at top, installed in panel, has retainer and flexible tubing in place. Connector at bottom shows alternative connection with metal or rigid plastic tubing, using a double compression nylon tube union (as Dwyer Part No. A-328).

SPECIFICATIONS - MMF	
Service: Compatible gases and liquids.	
Wetted Materials: Body: Styrene acrylonitrile; Float: SS, black glass, nylon; Valve: Polyurethane.	
Temperature Limit: 125°F (51°C).	
Pressure Limit: 50 psi (3.4 bar). Valve option: 10 psi (0.6 bar).	
Accuracy: ±10% FS.	
Process Connection: 1/4" OD for push on rubber or plastic tubing. Connect to rigid tubing with compression fittings.	
Weight: 0.5 oz (14.17 g).	

MODEL CHART	
Model	Description
MMF-X	Standard MMF
MMF-X-PV	MMF with bottom mount valve
MMF-X-TMV	MMF with top mount valve
How To Order: MMF-Range No.-Valve	
Example: MMF-1-PV	
(Series MMF with .1-1 SCFH air range with valve)	

ACCESSORY - MMF	
Model	Description
A-328	1/14" union

RANGE CHART - MMF	
Range No.	Range (SCFH Air)
1	.1 to 1
2	.2 to 2
10	1 to 10
50	5 to 50
100	10 to 100

OPTION	
To order add suffix:	Description
-NIST	NIST traceable calibration certificate



RATE-MASTER® POLYCARBONATE FLOWMETERS

Gas Flow from 0.05 to 1800 SCFH, Water Flow to 10 GPM



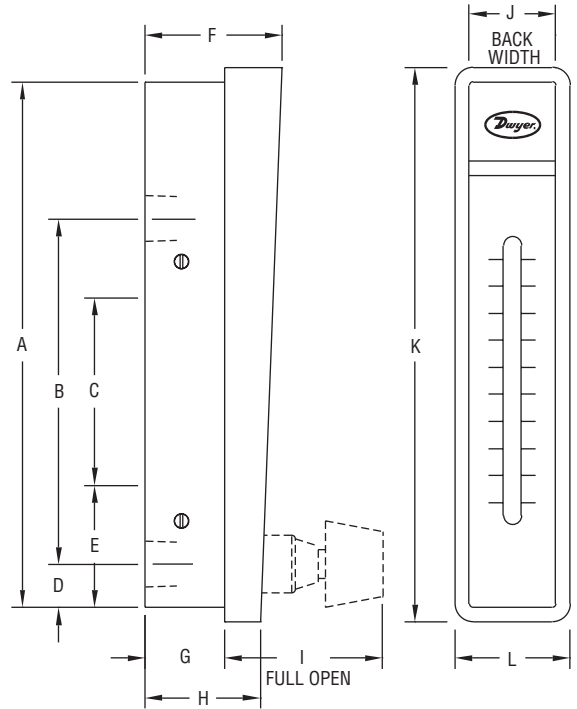
Model RMC
10" scale, 15-3/8" high



Model RMB-SSV
5" scale, 8-3/4" high



Model RMA-TMV
2" scale, 4-13/16" high



DIMENSIONS - FLOWMETER			
	Model RMA	Model RMB	Model RMC
A	4-9/16 [115.90]	8-1/2 [215.90]	15-1/8 [384.20]
B	3 [76.20]	6-7/16 [163.50]	12-1/4 [311.20]
	1/8 NPT conn.	1/4 NPT conn.	1/2 NPT conn.
C	1-5/8 [41.28]	3-15/16 [100.00]	8-3/4 [222.30]
	10-32 mtg. holes	1/4-20 mtg. holes	3/8-24 mtg. holes
D	3/8 [9.525]	5/8 [15.88]	1 [25.40]
E	1-1/16 [26.99]	1-7/8 [47.63]	2-3/4 [69.85]
F	1-3/16 [30.16]	1-3/4 [44.45]	2-1/2 [63.50]
G	11/16 [17.46]	1 [25.40]	1-7/16 [36.51]
H	61/64 [24.21]	1-7/16 [36.51]	1-31/32 [50.00]
I	1-3/8 [34.92]	1-13/16 [46.04]	2-1/2 [63.50]
J	3/4 [19.05]	1-1/4 [31.75]	2 [50.80]
K	4-13/16 [122.20]	8-3/4 [222.30]	15-3/8 [390.50]
L	1 [25.40]	1-1/2 [38.10]	2-1/4 [57.15]

Flowmeters, Variable Area



Scan here to watch product video

The **SERIES RM** Rate-Master® flowmeter line of direct reading precision flowmeters incorporates many unique user features at moderate cost. These low cost flowmeters are ideal for general use.

EASY TO READ DESIGN — The direct reading scales eliminate troublesome conversions. The scales are brushed aluminum, coated with epoxy and the graduations are on both sides of the indicating tube. Special integral flow guides stabilize the float throughout the range to keep it from hunting or wandering in the bore. The float is highly visible against a white background.

CONSTRUCTION ASSURES ACCURACY — All Rate-Master® flowmeter bodies are injection molded of tough, clear, shatter-proof polycarbonate plastic around a precision tapered pin. The result is accurate and repeatable readings. The single piece plastic body is mounted to a stainless steel back bone into which pipe thread inserts are welded to absorb piping torque. Precision metering valves of brass or stainless steel (specify BV or SSV on order) are available as an optional extra and permit precise flow adjustments. For vacuum applications, Model RMA units are available with top mounted valves (specify TMV). The small Series RMA models are accurate within ±4% of full-scale reading; Series RMB within ±3%; large Series RMC within ±2%.

INSTALLATION IS SIMPLE — The Rate-Master® flowmeter can be neatly panel mounted to keep flow tube centers in the same plane as the panel surface or surface mounted on the panel by means of tapped holes in the backbone. When through-panel mounted, the bezel automatically positions the instrument at the correct depth in the panel cutout. Surface mounted units can also be held in place by the piping. All mounting hardware plus installation and operating instructions are included.

EASY-TO-INTERCHANGE BODIES — Within a given Series Rate-Master® flowmeter bodies can be instantly interchanged. Simply “unplug” the body from backbone and replace it with another. O-rings provide a tight seal on inlet and outlet. Piping remains undisturbed. Interchangeability is useful where different scale ranges are sometimes required at the same location in the laboratory or plant.

CLEANING IS EASY — To release the plastic flowmeter body from the stainless steel backbone, just remove four screws. Pipe thread flow connections remain undisturbed. Remove the slide cover and the plug ball stop, clean the flow tube with soap and water and reassemble. It's that simple.

RATE-MASTER® POLYCARBONATE FLOWMETERS

Gas Flow from 0.05 to 1800 SCFH, Water Flow to 10 GPM

SPECIFICATIONS	
Service: Compatible gases and liquids.	
Wetted Materials: Body: Polycarbonate; O-ring: Neoprene and Buna-N; Metal parts: SS (except for optional brass valve); Float: SS, black glass, aluminum, K monel, tungsten carbide depending on range.	
Temperature Limit: 130°F (54°C).	
Pressure Limit: 100 psi (6.9 bar).	
Accuracy: RMA: 4%; RMB: 3%; RMC: 2% of FS.	
Process Connection: RMA: 1/8"; RMB: 1/4"; RMC: 1/2" female NPT.	
Weight: RMA: 4 oz (113.4 g); RMB: 13 oz (368.5 g); RMC: 39 oz (1105.6 g).	
CAUTION: Dwyer® Rate-Master® flowmeters are designed to provide satisfactory long term service when used with air, water, or other compatible media. Refer to factory for information on questionable gases or liquids. Caustic solutions, anti-freeze (ethylene glycol) and aromatic solvents should definitely not be used.	

MODEL CHART	
Model	Description
RMA-X	Standard RMA
RMA-X-BV+	RMA with brass valve
RMA-X-SSV+	RMA with stainless steel valve
RMA-X-TMV*+	RMA with top mounted valve
RMB-X	Standard RMB
RMB-X-BV+	RMB with brass valve
RMB-X-SSV+	RMB with stainless steel valve
RMC-X	Standard RMC
RMC-X-BV+	RMC with brass valve
RMC-X-SSV+	RMC with stainless steel valve
How To Order: Series-Range No.("X")-Valve-Option	
Example: RMA-2-SSV (Series RMA with .1-1 SCFH air range & stainless steel valve)	
*Provide same precision construction but for vacuum applications. +Valve is designed for flow adjustment only, not intended to be used as an open/shut-off valve.	

RANGE CHART - RMA 2" SCALE - POPULAR RANGES			
Range No.	SCFH Air	Range No.	LPM Air
1	.05 to .4	26	.5 to 5
2	.1 to 1	21	1 to 10
3	.2 to 2	22	2 to 25
4	.5 to 5	23	5 to 50
5	1 to 10	24	5 to 70
6	2 to 20	25	10 to 100
7	5 to 50		
		Range No.	CC/Min. Water
8	10 to 100	32	5 to 50
9	15 to 150	33	10 to 110
10	20 to 200	34	20 to 300
Range No.	CC/Min. Air	Range No.	GPH Water
151*	5 to 50	42	1 to 11
150*	10 to 100	43	2 to 24
11	30 to 200	44	4 to 34
12	50 to 500	45	5 to 50
13	100 to 1000		
14	200 to 2500		

*Accuracy ±8%

OPTIONS	
To order add suffix:	Description
-NIST	NIST traceable calibration certificate
-APF	Adjustable pointer flag for Series RMA
-BPF	Adjustable pointer flag for Series RMB
-CPF	Adjustable pointer flag for Series RMC
Note: Special ranges, scales, mounting arrangements, etc., are available on special order, or in OEM quantities.	

RANGE CHART - RMB 5" SCALE - POPULAR RANGES			
Range No.	SCFH Air	Range No.	SCFH & LPM Air
49*	-5	50D	1.2 to 10/0.6 to 5
50	1 to 10	51D	2 to 20/1 to 9.5
51	3 to 20	52D	4 to 50/2 to 23
52	4 to 50	53D	10 to 100/5 to 50
53	10 to 100	54D	20 to 200/10 to 95
54	20 to 200		
		Range No.	GPH & LPM Water
55	40 to 400	82D	1 to 12/0.06 to 0.76
56	50 to 500	83D	1 to 20/0.065 to 1.25
57	60 to 600	85D	10 to 100/0.8 to 6.2
Range No.	GPH Water		
82	1 to 12		
83	1 to 20		
84	4 to 40		
85	10 to 100		

*Accuracy ±5%

RANGE CHART - RMC 10" SCALE - POPULAR RANGES			
Range No.	SCFH Air	Range No.	GPH Water
101	5 to 50	134	2 to 20
102	10 to 100	135	8 to 90
103	20 to 200		
		Range No.	GPM Water
104	40 to 400	141	.1 to 1
105	60 to 600	142	.2 to 2.2
106	100 to 1000	143	.4 to 4
107	120 to 1200	144	.8 to 7
108	200 to 1800	145	1.2 to 10
Range No.	SCFM Air		
121	1 to 10		
122	2 to 20		
123	4 to 30		



Adjustable pointer flags

Red lined pointer flags provide quick visual reference to a required flow level. Of clear plastic, they snap into place inside bezel and slide to desired level.

ACCESSORIES	
Model	Description
RKA	Regulator kit for Series RMA
RK-RMB	Regulator kit for Series RMB



Regulator Kits

Available as optional extras for both Rate-Master® Flowmeters and Visi-Float® Flowmeters models. This view shows Model VFA Visi-Float® flowmeter with integrally connected constant differential pressure regulator. Recommended for use where inlet air pressure fluctuates widely and constant flow is required. The regulator maintains a constant pressure differential of approximately 3 ±.15 psig. Supply pressure must be at least 3 psig above the flowmeter discharge to operate. The standard regulator may be used with any Dwyer Series RM or VF flowmeter up to 200 scfh. For higher flow rates consult the factory.



VISI-FLOAT® ACRYLIC FLOWMETERS

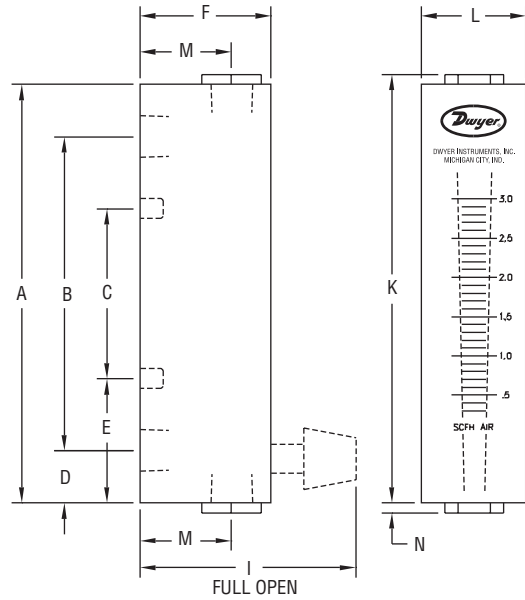
Used to Indicate or Manually Control Air or Water Flow



Model VFB



Model VFA-SSV



DIMENSIONS - FLOWMETER		
	Model VFA	Model VFB
A	4 [101.6]	6-1/2 [165.1]
B	3 [76.20]; 1/8 NPT conn.	5-1/2 [139.7]; 1/8 NPT conn.
C	1-5/8 [41.28]; 10-32 thd	3-1/2 [88.90]; 10-32 thd
D	1/2 [12.70]	1/2 [12.70]
E	1-3/16 [30.16]	1-1/2 [38.10]
F	1-1/4 [31.75]	1-1/4 [31.75]
I	2-1/16 [52.39]; Open	2-1/16 [52.39]; Open
K	4-3/32 [104.0]	6-11/16 [169.9]
L	1 [25.40]	1-3/8 [34.93]
M	7/8 [22.23]; 1/8 NPT	7/8 [22.23]; 1/8 NPT
N	3/32 [2.381]	3/32 [2.381]



Scan here to watch product video

The **SERIES VF** Visi-Float® flowmeter bodies are cut and precision machined from solid, clear acrylic plastic blocks. This construction not only produces a handsome finished product, but permits complete visual inspection. As a result, the Visi-Float® flowmeters are especially popular for medical and laboratory equipment applications.

SCALES ARE EASY TO READ — The front scale location and white background provides excellent visibility. The direct reading scales are hot stamped into the plastic and will not wear off. Mid-range calibration is established with a master flowmeter. Accuracy is ±5% of full scale for VFA models, ±3% for VFB. Scales average 2" long on the VFA models, 4" long on VFB.

DURABLE AND ATTRACTIVE CONSTRUCTION — The machined acrylic bodies of the Visi-Float® flowmeters are practically unbreakable. Fabrication is backed by over 60 years of experience in acrylic instrument machining. The tapered bore is precision machined to a smooth surface that provides perfect visibility of the indicating float. The VFA and VFB models are available with either brass or stainless steel inlet and outlet connections and are tapped for 1/8" NPT thread. VFB models 85 and 86 have either 1/4" back or 3/8" end connections. All standard models employ Buna-N O-rings for leak proof operation and are available with either back or end connections for horizontal or vertical piping. Precision metering valves in brass or stainless steel are available for most VFA and VFB models.

EASY INSTALLATION — All Visi-Float® flowmeters have metal mounting inserts on rear for panel mounting. They can also be supported directly by system piping.

SPECIFICATIONS

Service: Compatible gases & liquids.

Wetted Materials: Body: Acrylic plastic; O-ring: Buna-N (fluoroelastomer available); Metal parts: Brass standard, SS optional; Float: SS, black glass, aluminum, K monel depending on range.

Temperature & Pressure Limits: Without valve: 100 psig (6.9 bar) @ 150°F (65°C); 150 psig (10 bar) @ 100°F (38°C); With valve: 100 psig (6.9 bar) @ 120°F (48°C).

Accuracy: VFA = 5% of FS; VFB = 3% of FS.

Process Connection: 1/8" female NPT. VFB ranges 85 and 86 have 1/4" NPT back connections or 3/8" NPT end connections. These ranges not available with brass valves.

Scale Length: VFA 2" typical length; VFB 4" typical length.

Mounting Orientation: Mount in vertical position.

Weight: VFA: 4.0 to 4.8 oz (.11 to .14 kg); VFB: 7.2 to 8.8 oz (.20 to .25 kg).



VISI-FLOAT® ACRYLIC FLOWMETERS

Used to Indicate or Manually Control Air or Water Flow

RANGE CHART - VFA 2" SCALE - POPULAR RANGES			
Range No.	SCFH Air	Range No.	LPM Air
1	.1 to 1	21	.06 to 0.5
2	.2 to 2	22	.15 to 1
3	.6 to 5	23	.6 to 5
4	1 to 10	24	1 to 10
5	2 to 20	25	3 to 25
6	4 to 30	26	6 to 50
7	5 to 50	27	10 to 100
8	10 to 100		
9	20 to 200		
Range No.	CC/Min. Water	Range No.	GPH Water
32	6 to 50	41	.6 to 5
33	10 to 100	42	2 to 10
34	20 to 200	43	3 to 20
		44	8 to 40

RANGE CHART - VFB 4" SCALE - POPULAR RANGES			
Range No.	SCFH Air	Range No.	LPM Air
50	.3 to 3	65	.2 to 4
91*	1 to 10	66	1 to 10
51*	2 to 20	67	1 to 20
52	4 to 40	68	3 to 30
53*	10 to 100	69	4 to 40
54*	10 to 150		
55*	20 to 200	Range No.	CC/Min. Water
		82	2 to 30
Range No.	SCFM Air	Range No.	GPH Water
90	.3 to 3	80*	.5 to 12
Range No.	CC/Min. Air	83*	1 to 20
60	100 to 1000	84	6 to 40
		81	6 to 60
		Range No.	GPM Water
		85	.2 to 2
		86	.6 to 5

*For dual range models in English and Metric add "D" to end of Range No.

ACCESSORIES	
Model	Description
RKA	Regulator kit for Series VFA
RK-RMB	Regulator kit for Series VFB



Regulator Kits

Available as optional extras for both Rate-Master® Flowmeters and Visi-Float® Flowmeters models. This view shows Model VFA Visi-Float® flowmeter with integrally connected constant differential pressure regulator. Recommended for use where inlet air pressure fluctuates widely and constant flow is required.

The regulator maintains a constant pressure differential of approximately 3 ±.15 psig. Supply pressure must be at least 3 psig above the flowmeter discharge to operate. The standard regulator may be used with any Dwyer Series RM or VF flowmeter up to 200 scfh. For higher flow rates consult the factory.

MODEL CHART	
Model	Description
VFA-X	Standard VFA
VFA-X-SS	VFA with stainless metal wetted parts
VFA-X-BV+	VFA with brass valve
VFA-X-SSV+	VFA with stainless steel valve
VFA-X-EC	VFA with end connections
VFA-X-EC-SS	VFA with end connections and stainless steel metal wetted parts
VFB-X	Standard VFB
VFB-X-SS	VFB with stainless metal wetted parts
VFB-X-BV+	VFB with brass valve
VFB-X-SSV+	VFB with stainless steel valve
VFB-X-EC	VFB with end connections
VFB-X-EC-SS	VFB with end connections and stainless steel metal wetted parts
How To Order: Series—Range No. ("X")—Valve—Option	
Example: VFA-9-BV	
(Series VFA with 20-200 SCFH air range & brass valve)	
+Valve is designed for flow adjustment only, not intended to be used as an open/shut-off valve.	

OPTIONS	
To order add suffix:	Description
-NIST	NIST traceable calibration certificate
-PF	Red ABS plastic pointer flag
-VIT	Fluoroelastomer O-rings



Special Multi-Column Visi-Float® Flowmeters

Perfect for OEM applications, Visi-Float® flowmeters can be custom made with up to 10 columns in a single block of acrylic plastic.

Available with or without valves. Consult factory for more information.

OEM Specials

Special flowmeter designs can be supplied to meet a wide range of requirements and specific applications. These include: on-off plunger and push-to-test valves, special gas or fluid calibration, special ranges, scales, name brand or other identification. Pointer flags can be furnished for instant visual reference. For specific information, please supply an outline of your requirements.



VISI-FLOAT® ACRYLIC FLOWMETERS

Used to Indicate Air or Water Flow, End Connections



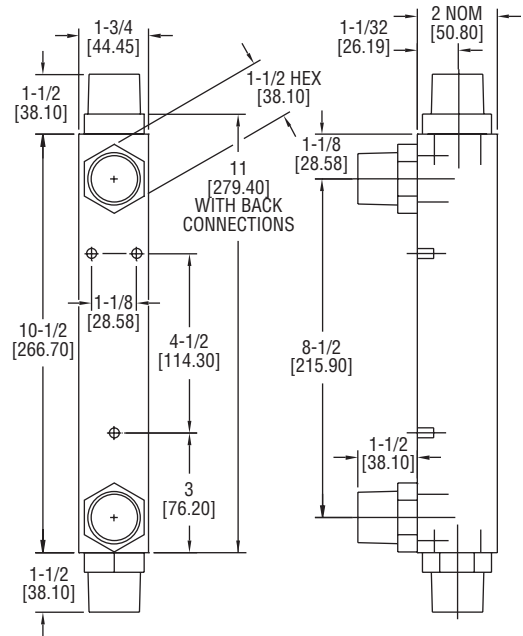
VFCII with 1" MNPT End Connections

VFC with 1" FNPT End Connections

VFC with 1" FNPT Back Connections



Scan here to watch product video



The accurate and durable **SERIES VFC & VFCII** Visi-Float® flowmeter contains a stainless steel guide rod and large diameter float for excellent stability and visibility in high flow rates. The large 5" scale provides a ±2% full scale accuracy for precision measurement required in medical or laboratory applications. The VFC models have PVC 1" female NPT connections. VFC II units are equipped with acetal thermoplastic 1" male NPT fittings. VFC II fittings also include hex wrench flats to prevent stripped threads. All models have metal mounting inserts on the back for panel mounting. Units may also be supported directly by system piping.

MODEL CHART		
Model	Thread Type	Process Connection
VFC-X	1" FNPT	Back
VFCII-X	1" MNPT	Back
VFC-X-EC	1" FNPT	In-line end
VFCII-X-EC	1" MNPT	In-line end

How To Order: Series-Range No.-Option
Example: VFC-123-EC
 (Series VFC with 10-100 SCFM air range and 1" female NPT end connections)

RANGE CHART - 5" SCALE - POPULAR RANGES			
Range No.	SCFM Air	Range No.	GPM Water
121	4 to 25	141	.5 to 5
122	5 to 50	142	1 to 10
123	10 to 100	143	2 to 20
Range No.	LPM Air	Range No.	LPM Water
131	100 to 700	151	2 to 20
132	200 to 1400	152	4 to 40
133	300 to 2800	153	10 to 75

OPTIONS	
To order add suffix:	Description
-VIT	Fluoroelastomer O-rings
-FDA	316 SS float & guide rod (only available on VFCII with fluoroelastomer O-rings)
-NIST	NIST traceable calibration certificate

SPECIFICATIONS

- Service:** Compatible gases & liquids.
- Wetted Materials:** Body: Acrylic plastic; O-ring: Buna-N (fluoroelastomer available); Metal parts: SS; Float: SS.
- Fittings:** VFC: PVC; VFCII: Acetal thermoplastic.
- Temperature & Pressure Limits:** 100 psig (6.9 bar) @ 120°F (48°C).
- Accuracy:** 2% of FS.
- Process Connection:** VFC: 1" female NPT back connections. End connections optional; VFCII: 1" male NPT back connections. End connections optional. Scale Length: 5" typical length.
- Mounting Orientation:** Mount in vertical position.
- Weight:** 24 to 25 oz (.68 to .71 kg).

ULTRA-VIEW™ POLYSULFONE FLOWMETERS

Monitor Water Flow Rates from .25 to 40 GPM, Air Rates from 1 to 100 SCFM



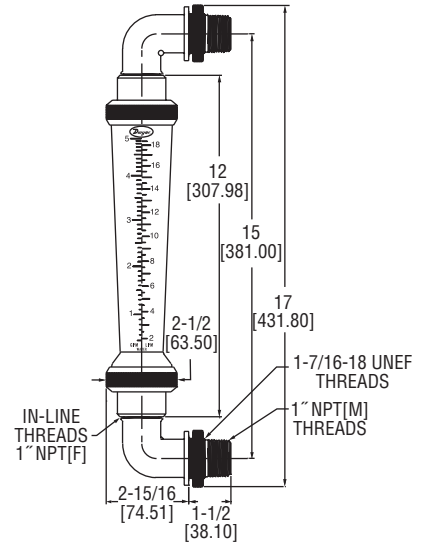
Scan here to watch product video



Shown with optional Polysulfone Fittings



Shown with optional Polycarbonate Shield



Shown with optional Polysulfone Fittings

Setting a new standard in the industry, the **SERIES UV** Polysulfone Flowmeter is an ultra pure, laboratory grade flowmeter ($\pm 2\%$ FS accuracy) that measures flow in GPM and LPM of water, air and other compatible media. The Series UV is designed to withstand high temperatures up to 212°F (100°C) and high pressures up to 150 psi (10.34 bar). Highly corrosion-resistant, this instrument is an excellent choice for monitoring many corrosive media. Easy to install and to clean, the Series UV offers optional panel mount polysulfone fittings and a protective polycarbonate shield.

APPLICATIONS

- Monitor chill water flow
- Reverse osmosis systems
- Deionized water systems
- Potable water systems

SPECIFICATIONS

Service: Compatible liquids and gases.
Wetted Materials: Polysulfone body and fittings, fluoroelastomer O-rings and virgin PTFE float.
Temperature Limits: 35 to 212°F (2 to 100°C); 35 to 130°F (2 to 54°C) for PVC fitting option.
Pressure Limit: 150 psi (10.34 bar).
Accuracy: $\pm 2\%$ FS @ 70°F $\pm 2^\circ\text{F}$ (21.1°C) and 14.7 psia (in line connection rating only).
Repeatability: $\pm 1\%$ FS @ 70°F $\pm 2^\circ\text{F}$ (21.1°C) and 14.7 psia (in line connection rating only).
Process Connections: 1" female NPT. Optional 90° polysulfone elbow – 1" male NPT.
Scale Length: 6" (152.40 mm) – 7" (177.80 mm), depending on model.
Fitting Torque: Maximum 22 ft - lb.
Weight: 1 lb (457 g) for 20 GPM range.
CAUTION: Ball valves can have a "water cannon" effect on opening, creating pressure that exceeds the warranty ratings will damage the flowmeter. Series UV Flowmeters are for indoor use only or areas without direct sunlight. Polysulfone is adversely affected by ultraviolet light.

MODEL CHART			
Model	Range (GPM water)	Model	Range (SCFM air)
UV-0112	0.25 to 2.5 (1 to 9.5 LPM)	UV-A112	1 to 13 (30 to 370 LPM)
UV-1112	0.5 to 5.0 (2 to 19 LPM)	UV-B112	2.5 to 28 (70 to 780 LPM)
UV-2112	1.0 to 10.0 (4 to 38 LPM)	UV-C112	5 to 50 (70 to 1400 LPM)
UV-3112	2.0 to 20.0 (8 to 76 LPM)	UV-D112	14 to 100 (400 to 2800 LPM)
UV-4112	3.0 to 30.0 (12 to 112 LPM)		
UV-5112	4.0 to 40.0 (20 to 150 LPM)		

Note: For PVC 1" female NPT fittings, change 12 to 22.

ACCESSORIES	
Model	Description
A-801	Panel mount kit, polysulfone fittings
A-162	In-line fitting replacement kit. Two 1" female NPT connection fittings included in kit

OPTIONS	
To order add suffix:	Description
-SHD	Protective polycarbonate shield
-NIST	NIST traceable calibration certificate



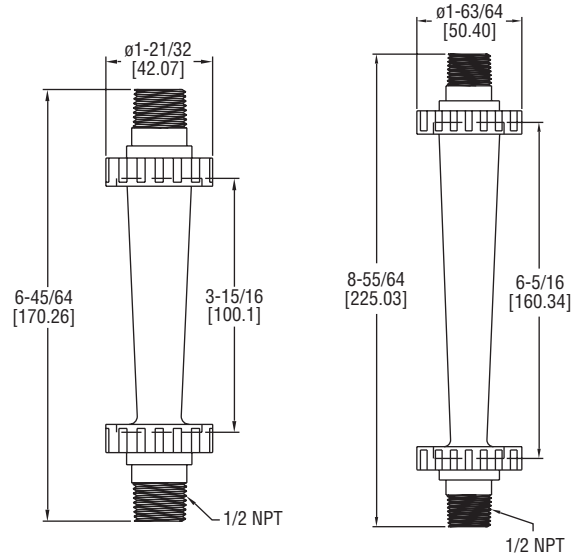
POLYCARBONATE FLOWMETERS

In-Line or Panel Mount Meters



LFMA

LFMB



LFMA

LFMB



Scan here to watch product video

The new SERIES LFMA & LFMB Flowmeters are made of injection molded, heat and chemically resistant polycarbonate bodies and fittings. Series LFM flow meters have dual scales measuring in both GPM and LPM with 5% accuracy. A textured background on the body enhances scale readability. Standard in-line models come with 1/2" male NPT process connections while panel mount installation is available with 90° elbow fittings that include panel lock nuts. Various other fittings are available.

SPECIFICATIONS

Service: Water.
Wetted Materials: Body: Polycarbonate; Flange nut: ABS; Float stop: ABS; O-rings: Fluoroelastomer; Rod & float: 316 SS; Connections: Metric union and male NPT fittings-ABS; 90° male NPT elbow fittings-PVC.
Pressure Limit: 87 psi (6 bar) at 68°F (20°C); 90° elbow fittings 116 psi (8 bar) at 68°F (20°C).
Accuracy: ±5%.
Process Connection: LFMA: 1/2" male NPT. Optional 20 mm metric union; LFMB: 1/2" male NPT. Optional 20mm metric union or 1/2" male NPT with 90° elbow.
Weight: LFMA: 2 oz (56.7 g); LFMB: 3 oz (85.0 g).
CAUTION: Series LFM Flowmeters are for indoor use only or areas without direct sunlight. Polycarbonate is adversely affected by ultraviolet light.

MODEL CHART

Model	Range (GPM Water)
LFMA-01-A2	0.1 to 1 (.5 to 4 LPM)
LFMA-02-A2	0.2 to 2 (1 to 7 LPM)
LFMA-03-A2	0.5 to 5 (1.8 to 18 LPM)
LFMB-04-A2	0.1 to 1 (.5 to 4 LPM)
LFMB-05-A2	0.2 to 2 (1 to 7 LPM)
LFMB-06-A2	0.5 to 5 (1.8 to 18 LPM)

OPTION

Use order code:	Description
NISTCAL-FL1	NIST traceable calibration certificate

ACCESSORIES - LFMA

Model	Description
A-560	20 mm metric union fittings - ABS
A-566	1/2" male NPT fittings - ABS

ACCESSORIES - LFMB

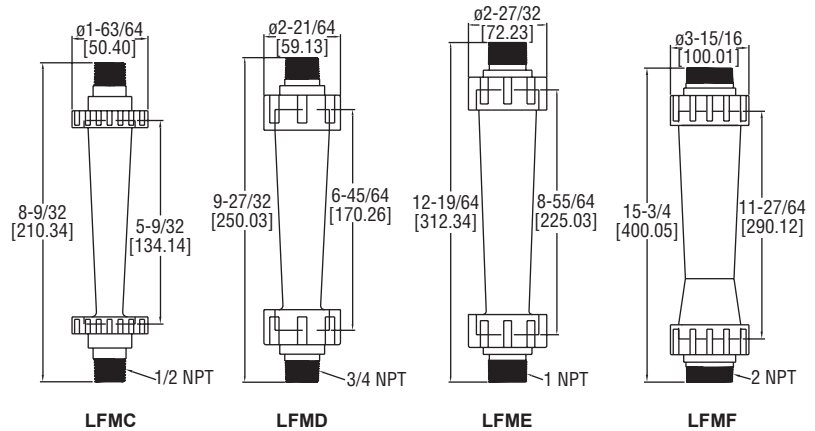
Model	Description
A-561	20 mm metric union fittings - ABS
A-567	1/2" male NPT fittings - ABS
A-575	1/2" male NPT with 90° elbow fittings - PVC

POLYCARBONATE FLOWMETERS

In-Line or Panel Mount Meters, Adjustable Set Point Indicator



LFMC LFMD LFME LFMF



Scan here to watch product video

The SERIES LFMC, LFMD, LFME & LFMF Flowmeters are made of injection molded, heat and chemically resistant polycarbonate bodies and fittings. Series LFM flow meters have dual scales measuring in both GPM and LPM with 5% accuracy. A textured background on the body enhances scale readability. Standard in-line models come with 1/2" male NPT connections for LFMC, 3/4" male NPT connections for LFMD, 1" male NPT connections for LFME and 2" male NPT connections for LFMF. Panel mount installation is available with 90° elbow fittings that includes panel lock nuts. Various other fittings are available.

SPECIFICATIONS

Service: Water.

Wetted Materials: Body: Polycarbonate; Flange nut: ABS; Float stop: LFMC: ABS; LFMD, LFME, LFMF: Polypropylene; O-rings: Fluoroelastomer; Rod & float: 316 SS; Connections: 20 mm & 63 mm metric union fittings: ABS; 32 mm & 40 mm metric union fittings: PVC; 1/2" & 3/4" male NPT fittings for LFMC: ABS; 3/4" male and female NPT fittings for LFMD: PA66 nylon; 1" & 2" male NPT fittings: PA66 nylon.

Pressure Limit: 87 psi (6 bar) at 68°F (20°C); 90° elbow fitting 116 psi (8 bar) at 68°F (20°C).

Accuracy: ±5%.

Process Connection: LFMC: 1/2" male NPT. Optional 20 mm metric union, 3/4" male NPT, or 1/2" male NPT with 90° elbow; LFMD: 3/4" male NPT. Optional 32 mm metric union, 3/4" female NPT, or 3/4" male NPT with 90° elbow. LFME: 1" male NPT. Optional 40 mm metric union, 1" female NPT, or 1" male NPT with 90° elbow; LFMF: 2" male NPT. Optional 63 mm metric union or 2" female NPT.

Weight: LFMC: 4 oz (113.4 g); LFMD: 10 oz (283.5 g); LFME: 15 oz (425.2 g); LFMF: 40 oz (1.1 kg).

CAUTION: Series LFM Flowmeters are for indoor use only or areas without direct sunlight. Polycarbonate is adversely affected by ultraviolet light.

MODEL CHART		
Model	Range (GPM Water)	Process Connection
LFMC-07-A2	0.25 to 2.5 (1 to 10 LPM)	1/2" male NPT
LFMC-08-A2	0.5 to 5 (1.8 to 18 LPM)	1/2" male NPT
LFMC-09-A2	0.8 to 8 (3 to 30 LPM)	1/2" male NPT
LFMD-10-C2	0.8 to 8 (3 to 30 LPM)	3/4" male NPT
LFMD-11-C2	1 to 10 (4 to 40 LPM)	3/4" male NPT
LFME-12-F2	1.2 to 12 (5 to 50 LPM)	1" male NPT
LFME-13-F2	2 to 20 (8 to 80 LPM)	1" male NPT
LFME-14-F2	2.5 to 25 (10 to 100 LPM)	1" male NPT
LFMF-15-I2	2.5 to 25 (10 to 100 LPM)	2" male NPT
LFMF-16-I2	5 to 45 (20 to 180 LPM)	2" male NPT
LFMF-17-I2	7 to 70 (25 to 250 LPM)	2" male NPT

OPTION	
Use order code:	Description
NISTCAL-FL1	NIST traceable calibration certificate

ACCESSORIES - LFMC	
Model	Description
A-562	20 mm metric union fittings - ABS
A-567	1/2" male NPT fittings - ABS
A-568	3/4" male NPT fittings - ABS
A-576	1/2" male NPT with 90° elbow fittings - PVC

ACCESSORIES - LFMD	
Model	Description
A-563	32 mm metric union fittings - PVC
A-569	3/4" male NPT fittings - nylon
A-572	3/4" female NPT fittings - nylon
A-577	3/4" male NPT with 90° elbow fittings - PVC

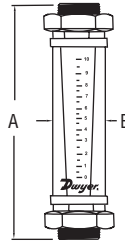
ACCESSORIES - LFME	
Model	Description
A-564	40 mm metric union fittings - PVC
A-570	1" male NPT fittings - nylon
A-573	1" female NPT fittings - nylon
A-578	1" male NPT with 90° elbow fittings - PVC

ACCESSORIES - LFMF	
Model	Description
A-565	63 mm metric union fittings - ABS
A-571	2" male NPT fittings - nylon
A-574	2" female NPT fittings - nylon



VARIABLE AREA FLUOROPOLYMER FLOWMETERS

In-Line, ±5% Accuracy, Chemically Inert, In-Line



Connection	A	B
1/4"	5-11/16" [144]	1-1/4" [31.8]
3/8"	5-11/16" [144]	1-1/4" [31.8]
1/2"	10-1/2" [267]	2" [50.8]
3/4"	10-1/2" [267]	2" [50.8]

Constructed entirely of Fluoropolymers, the **SERIES VAT** Flowmeters are ideal for high purity or corrosive liquid applications. Flowmeters feature a 0 to 10 scale for flow indication. Each unit is individually leak tested to a leak integrity rating of 1 x 10⁻⁷ sccs helium or better. The Series VAT are designed for in-line mounting and include a removable protective shield.

MODEL CHART			
Model		Low Range	
With Valve	Without Valve	Connections	Flow Rate GPH (ml/min)
VAT-311	VAT-301	1/4" female NPT	1.98 (125)
VAT-312	VAT-302	1/4" female NPT	3.91 (250)
VAT-313	VAT-303	1/4" female NPT	6.34 (400)
VAT-314	VAT-304	1/4" female NPT	7.92 (500)
VAT-315	VAT-305	1/4" female NPT	15.85 (1000)
VAT-316	VAT-306	3/8" female NPT	31.69 (2000)
VAT-317	VAT-307	3/8" female NPT	39.62 (2500)
VAT-318	VAT-308	3/8" female NPT	47.54 (3000)
VAT-319	VAT-309	3/8" female NPT	79.23 (5000)

OPTION	
Use order code:	Description
NISTCAL-FL1	NIST traceable calibration certificate

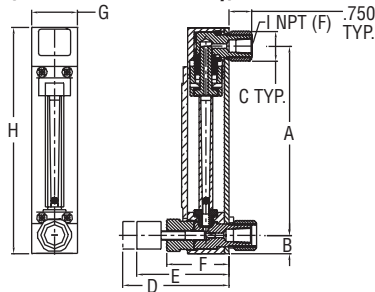
SPECIFICATIONS
Service: Compatible liquids.
Wetted Materials: Flowtube: PFA; Float and end fittings: PTFE; Guide rods: PCTFE.
Temperature Limit: 250°F (121°C).
Pressure Limit: 100 psig (6.9 bar).
Accuracy: ±5% FS @ 70°F (21.1°C) and 14.7 psia (1 atm absolute).
Process Connections: See chart.
Leak Integrity: 1 x 10 ⁻⁷ sccs of helium.
Scale: 0 to 10 markings.
Mounting: Vertical, in-line.

MODEL CHART			
Model		High Range	
With Valve	Without Valve	Connections	Flow Rate GPM (L/min)
VAT-6110	VAT-6010	1/2" female NPT	3.43 (13)
VAT-6111	VAT-6011	1/2" female NPT	5.28 (20)
VAT-6112	VAT-6012	3/4" female NPT	7.93 (30)
VAT-6113	VAT-6013	3/4" female NPT	10.57 (40)
VAT-6114	VAT-6014	3/4" female NPT	11.89 (45)

Flowmeters, Variable Area

ALL FLUOROPOLYMER FLOWMETERS

75 mm and 125 mm, 10:1 Turndown, ±5% FS Accuracy, Back Connect



Model	A	B	C	D	E	F	G
TVA11XX	4.97 [126]	0.56 [14]	1.06 [27]	3.35 [85]	1.25 [32]	6.16 [156]	1/4
TVA13XX	4.97 [126]	0.56 [14]	1.25 [32]	4.65 [118]	1.50 [38]	6.16 [156]	3/8
TVA22XX	8.72 [221]	0.88 [22]	1.75 [44]	4.57 [116]	2.00 [51]	10.4 [264]	1/2
TVA24XX	8.47 [215]	1.00 [25]	1.75 [44]	5.95 [151]	2.25 [57]	10.4 [264]	3/4

Note: Panel mounting: Drill two holes: 3/4" dia. at 4.97" apart for 1/4" NPT models, 7/8" dia. at 4.97" apart for 3/8" NPT models, 1" dia. at 8.72" apart for 1/2" NPT models, and 1-1/4" dia. at 8.47" apart for 3/4" NPT models (center-to-center).

SERIES TVA All Fluoropolymer Flowmeters offer solutions for measuring flow rates of highly corrosive or ultra-pure liquids. Flowmeters are designed with 0 to 10 scale graduations denoting a discrete flow rate.

MODEL CHART				
Model		Low Range		
With Valve	Without Valve	Length	Connections	Flow Rate Water GPH (ml/min)
TVA1113	TVA1103	75 mm	1/4" female NPT	6.34 (400)
TVA1115	TVA1105	75 mm	1/4" female NPT	15.9 (1000)
TVA1317	TVA1307	75 mm	3/8" female NPT	39.6 (2500)
TVA1319	TVA1309	75 mm	3/8" female NPT	79.2 (5000)

OPTION	
Use order code:	Description
NISTCAL-FL1	NIST traceable calibration certificate

SPECIFICATIONS
Service: Compatible liquids.
Wetted Materials: Flowtube: PFA; Float and end fittings: PTFE; Guide rods: PCTFE.
Temperature Limit: 250°F (121°C).
Pressure Limit: 100 psig (6.9 bar).
Accuracy: ±5% FS @ 70°F (21.1°C) and 14.7 psia (1 atm absolute).
Repeatability: ±0.25%.
Leak Integrity: 1 x 10 ⁻⁷ sccs of helium.
Scales: 0 to 10 markings, 75 mm or 125 mm lengths.
Turn-down Ratio: 10:1.
Mounting: Vertical.

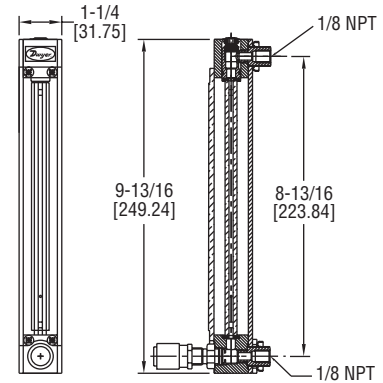
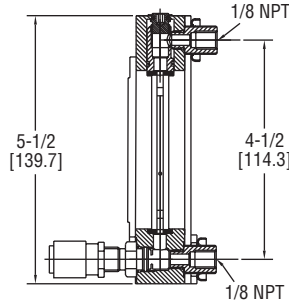
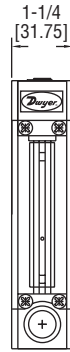
MODEL CHART				
Model		High Range		
With Valve	Without Valve	Length	Connections	Flow Rate Water GPM (L/min)
TVA22110	TVA22010	125 mm	1/2" female NPT	3.43 (13)
TVA24112	TVA24012	125 mm	3/4" female NPT	7.93 (30)
TVA24114	TVA24014	125 mm	3/4" female NPT	11.9 (45)

VARIABLE AREA GLASS FLOWMETERS

65 mm and 150 mm, ±2% FS Accuracy, Interchangeable Flowtubes, PTFE Options



Scan here to watch product video



Panel Mounting: Drill two 5/8" dia. holes at 4.5" apart for 65 mm models and 8.812" apart for 150 mm models (center-to-center).

Accurately measure flow rates of air, water, and other commonly used gases with the **SERIES VA** Variable Area Glass Flowmeters. Flowmeters are designed with an easy-to-read universal mm scale and supplied with a correlation chart containing calibration data for air and water. Correlation data for other gases and liquids are available. Permanently fused ceramic scale with vertical locator line reduces parallax and eye fatigue. Thick polycarbonate front shield protects tube from breakage and also serves as a magnifying lens to enhance reading resolution.

Glass flowmeters are suitable for metering carrier gases, liquid and gas measurement in pilot plants, laboratories, process flow and level indicating. Units are equipped with a standard 6-turn needle valve for flow rate control. High precision metering valves with non-rising stems (sold separately) are available for high sensitivity control and resolution – particularly suited for very low flow rates.

Flowmeters are shipped completely assembled and ready for panel mounting. Use an optional acrylic tripod base to convert to self-standing bench mounting.

MODEL CHART - METAL 65 MM SCALE					
Model				Max. Flow Rate	
Aluminum	SS	Brass	Float	Air SCFH (ml/min)	Water GPH (ml/min)
VA1043	VA1243	VA1343	Glass	0.104 (49)	0.009 (0.55)
VA1044	VA1244	-	SS	0.307 (145)	0.038 (2.38)
VA1045	VA1245	VA1345	Glass	0.220 (104)	0.028 (1.8)
VA1046	VA1246	-	SS	0.633 (299)	0.122 (7.7)
VA1047	VA1247	VA1347	Glass	0.43 (202)	0.041 (2.6)
VA1048	VA1248	-	SS	1.1 (522)	0.19 (12.0)
VA10423	VA12423	VA1349	Glass	2.09 (986)	0.325 (20.5)
VA10424	VA12424	-	SS	4.12 (1946)	0.881 (55.6)
VA10411	VA12411	VA13411	Glass	2.65 (1249)	0.428 (27)
VA10412	VA12412	-	SS	5.34 (2520)	1.125 (71)
VA10413	VA12413	VA13413	Glass	4.32 (2040)	0.63 (40)
VA10414	VA12414	-	SS	8.45 (3990)	1.71 (108)
VA10417	VA12417	VA13417	Glass	13.4 (6318)	2.33 (147)
VA10418	VA12418	-	SS	25.5 (12058)	5.77 (364)
VA10419	VA12419	VA13419	Glass	27.9 (13153)	4.9 (309)
VA10420	VA12420	-	SS	52.3 (24680)	11.81 (745)
VA10421	VA12421	VA13421	Glass	49.1 (23169)	8.27 (522)
VA10422	VA12422	-	SS	89.2 (42094)	19.97 (1260)

MODEL CHART - METAL 150 MM SCALE					
Model				Max. Flow Rate	
Aluminum	SS	Brass	Float	Air SCFH (ml/min)	Water GPH (ml/min)
VA20429	VA22429	VA23429	Glass	0.792 (374)	0.087 (5.5)
VA20430	VA22430	-	SS	1.725 (814)	0.323 (20.4)
VA20433	VA22433	VA23433	Glass	4.9 (2313)	0.848 (54)
VA20434	VA22434	-	SS	9.67 (4562)	2.067 (130)
VA20435	VA22435	VA23435	Glass	8.07 (3807)	1.336 (84)
VA20436	VA22436	-	SS	16.08 (7590)	3.34 (217)
VA20437	VA22437	VA23437	Glass	18.38 (8678)	3.32 (210)
VA20438	VA22438	-	SS	35.5 (16737)	8.02 (506)
VA20439	VA22439	VA23439	Glass	49.9 (23564)	9.0 (568)
VA20440	VA22440	-	SS	93.9 (44336)	21.7 (1370)

OPTION	
Use order code:	Description
NISTCAL-FL1*	NIST traceable calibration certificate
*Specify media type (air or water) for NISTCAL option	

SPECIFICATIONS

Service: Compatible gases or liquids.
Wetted Materials: Flowtube: Borosilicate glass; Floats: Glass or SS (sapphire, Carbonyl and tantalum are optional); Float stops: PTFE; End fittings: Anodized aluminum, 316 SS, brass or PTFE; Packings: Fluoroelastomer; O-rings: Buna-N on aluminum models and brass models, fluoroelastomer on SS models, PTFE on VAX5XX models.
Temperature Limits: 250°F (121°C); VAX5XX: -15 to 150°F (-26 to 65°C).
Pressure Limits: 200 psig (13.8 bar); VAX5XX: 100 psig (6.7 bar).
Accuracy: ±2% FS @ 70°F (21.1°C) and 14.7 psia (1 atm absolute); VA1042, VA1243, VA1343, VA25425, VA25025: ±5% FS @ 70°F (21.1°C) and 14.7 psia (1 @ absolute).
Repeatability: ±0.25% FS.
Leak Rate: 1 x 10⁻⁷ sccs of helium.
Scales: Universal 65 mm or 150 mm with correlation charts.
Turn-Down Ratio: 10:1.
Connections: Two 1/8" female NPT.
Mounting: Vertical.
Valve: 6-turn needle (standard), optional 16-turn high precision valve.
Valve Orifice: Acetal on aluminum models and brass models, PCTFE on stainless steel models, PTFE on VAX5XX models.

MODEL CHART - PTFE 65 MM SCALE				
Model			Max. Flow Rate	
With Valve	Without Valve	Float	Air SCFH (ml/min)	Water GPH (ml/min)
VA1545	VA1505	Glass	0.220 (104)	0.028 (1.8)
VA1547	VA1507	Glass	0.428 (202)	0.047 (2.95)
VA15411	VA15011	Glass	2.646 (1249)	0.428 (27)
VA15413	VA15013	Glass	4.322 (2040)	0.630 (39.7)
VA15417	VA15017	Glass	13.39 (6318)	2.33 (147)
VA15419	VA15019	Glass	27.9 (13153)	4.9 (309)
VA15421	VA15021	Glass	49 (23169)	8.27 (522)

Note: VAX5XX models indicate PTFE units.

MODEL CHART - PTFE 150 MM SCALE				
Model			Max. Flow Rate	
With Valve	Without Valve	Float	Air SCFH (ml/min)	Water GPH (ml/min)
VA25425	VA25025	Glass	0.104 (49)	0.01 (0.61)
VA25429	VA25029	Glass	0.792 (374)	0.087 (5.5)
VA25431	VA25031	Glass	1.75 (825)	0.262 (16.5)
VA25435	VA25035	Glass	8.07 (3807)	1.34 (84.3)
VA25437	VA25037	Glass	18.39 (8678)	3.32 (209)

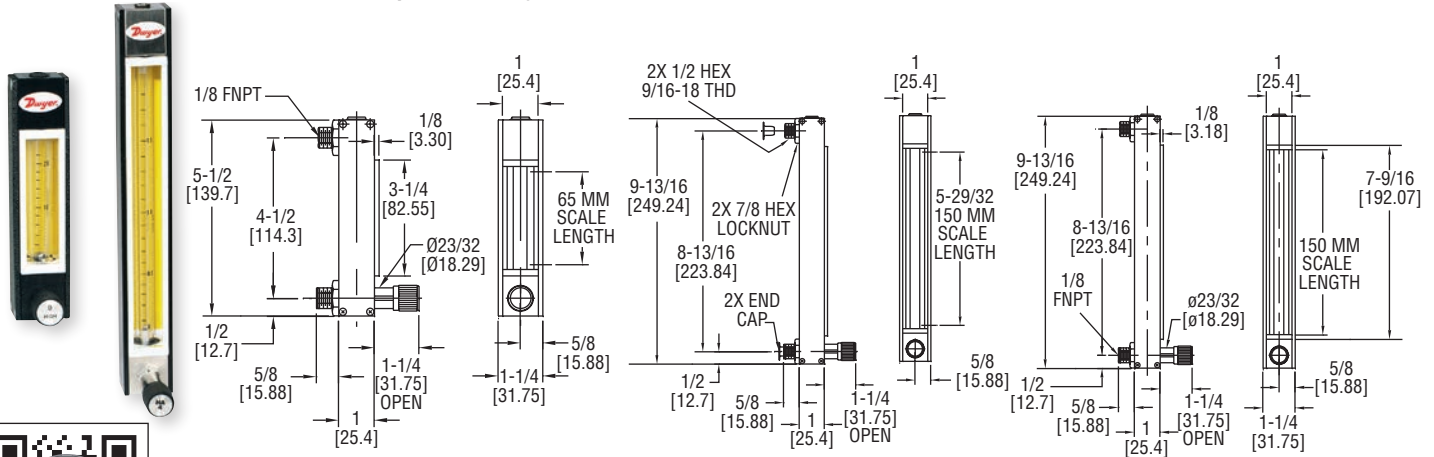
Note: VAX5XX models indicate PTFE units.

ACCESSORIES	
Model	Description
VA81	High precision valve, 316 SS, 0.42 SCFH capacity
VA82	High precision valve, 316 SS, 0.85 SCFH capacity
VA83	High precision valve, 316 SS, 2.12 SCFH capacity
VA84	High precision valve, 316 SS, 4.87 SCFH capacity
VA85	High precision valve, 316 SS, 13.14 SCFH capacity
VA86	High precision valve, 316 SS, 45.55 SCFH capacity
VA7	Acrylic tripod for single meter



DIRECT READING GLASS FLOWMETERS

65 mm and 150 mm, ±5% FS Accuracy, Interchangeable Flowtubes



Scan here to watch product video

Panel Mounting: Drill two 5/8" dia. holes at 4.5" apart for 65mm models and 8.812" apart for 150 mm models (center-to-center).

Use **SERIES DR** Glass Flowmeters to accurately measure flow rates of air or water with the convenience of a direct reading scale. Permanently fused ceramic scale has integral float guides for optimum float performance. Reflective plastic background and 1.5 X magnification lens reduces eye fatigue and allows for more accurate readings. Units include a safety blow-out back panel for additional protection. Flowmeters are shipped completely assembled and include standard panel mounting hardware for quick installation.

APPLICATIONS

Glass flowmeters are suitable for metering gases or liquids for film processing, paper manufacturing, chemical processing, semiconductor industry, water and air pollution analysis equipment, metals processing, industrial fuel and energy conservation, cylinder gas metering, and general laboratory and industrial applications.

MODEL CHART - 65 MM SCALE				
Model Without Valve		Model With Valve		Max. Flow Rate
Aluminum	SS	Aluminum	SS	Air SCFH (SCCM)
DR10010*	DR12010*	DR10410*	DR12410*	0.24 (130†)
DR10022	DR12022	DR10422	DR12422	0.65 (300†)
DR10030*	DR12030*	DR10430*	DR12430*	1.1 (500†)
DR10042	DR12042	DR10442	DR12442	2.2 (1000†)

Note: Add suffix "M" for metric scale. *Denotes glass float.
†Metric models use ccm as unit of measure for water & LPM for air.

MODEL CHART - 65 MM SCALE				
Model Without Valve		Model With Valve		Max. Flow Rate
Aluminum	SS	Aluminum	SS	Air SCFH (L/min)
DR10062	DR12062	DR10462	DR12462	5.6 (2.1)
DR10070*	DR12070*	DR10470*	DR12470*	11 (5)
DR10082	DR12082	DR10482	DR12482	20 (9.5)
DR10090*	DR12090*	DR10490*	DR12490*	55 (24)
DR100102	DR120102	DR104102	DR124102	100 (50)

Note: Add suffix "M" for metric scale. *Denotes glass float.

MODEL CHART - 65 MM SCALE				
Model Without Valve		Model With Valve		Max. Flow Rate
Aluminum	SS	Aluminum	SS	Water GPH (SCCM)
DR100120*	DR120120*	DR104120*	DR124120*	0.02 (1.5)
DR100132	DR120132	DR104132	DR124132	0.1 (6.5)
DR100140*	DR120140*	DR104140*	DR124140*	0.13 (8)
DR100152	DR120152	DR104152	DR124152	0.36 (24)
DR100172	DR120172	DR104172	DR124172	0.9 (55)
DR100180*	DR120180*	DR104180*	DR124180*	2.2 (140)
DR100192	DR120192	DR104192	DR124192	4.4 (280)
DR100200*	DR120200*	DR104200*	DR124200*	10 (600)
DR100212	DR120212	DR104212	DR124212	24 (1500)

Note: Add suffix "M" for metric scale. *Denotes glass float.

SPECIFICATIONS	
Service: Compatible gases or liquids.	Accuracy: ±5% FS @ 70°F (21.1°C) and 14.7 psia (1 atm absolute).
Wetting Materials: Flowtube: Borosilicate glass; Float: 316 SS (black glass as indicated); Float stops: PTFE; End fittings: Anodized aluminum or 316 SS; O-rings: Buna-N on aluminum models and fluoroelastomer on SS models.	Repeatability: ±0.25% of scale reading.
Temperature Limit: 250°F (121°C).	Scales: Direct reading 65 mm or 150 mm scales for air or water.
Pressure Limit: 250 psig (17 bar).	Turn-Down Ratio: 10:1.
	Connection: 1/8" female NPT.
	Mounting: Vertical.
	Valve: 6-turn needle (standard on models with valve).

MODEL CHART - 150 MM SCALE				
Model Without Valve		Model With Valve		Max. Flow Rate
Aluminum	SS	Aluminum	SS	Air SCFH (SCCM)
DR20032	DR22032	DR20432	DR22432	0.33 (160)
DR20082	DR22082	DR20482	DR22482	0.54 (270)
DR200132	DR220132	DR204132	DR224132	2 (840)

Note: Add suffix "M" for metric scale.

MODEL CHART - 150 MM SCALE				
Model Without Valve		Model With Valve		Max. Flow Rate
Aluminum	SS	Aluminum	SS	Air SCFH (L/min)
DR200182	DR220182	DR204182	DR224182	3.8 (1.8)
DR200232	DR220232	DR204232	DR224232	10 (4.8)
DR200282	DR220282	DR204282	DR224282	16 (7.5)
DR200332	DR220332	DR204332	DR224332	35 (16)
DR200382	DR220382	DR204382	DR224382	90 (44)

Note: Add suffix "M" for metric scale.

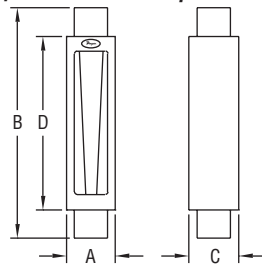
MODEL CHART - 150 MM SCALE				
Model Without Valve		Model With Valve		Max. Flow Rate
Aluminum	SS	Aluminum	SS	Water GPH (SCCM)
DR200432	DR220432	DR204432	DR224432	0.05 (3.2)
DR200482	DR220482	DR204482	DR224482	0.075 (4.6)
DR200532	DR220532	DR204532	DR224532	0.34 (21)
DR200582	DR220582	DR204582	DR224582	0.75 (46)
DR200632	DR220632	DR204632	DR224632	2.2 (140)
DR200682**	DR220682	DR204682**	DR224682	3.6 (230)
DR200732	DR220732	DR204732	DR224732	7.5 (480)
DR200782	DR220782	DR204782	DR224782	21 (1300)

Note: Add suffix "M" for metric scale. **Not available in metric scale.

OPTION	
Use order code:	Description
NISTCAL-FL1	NIST traceable calibration certificate

INDUSTRIAL DIRECT READING FLOWMETERS

Air/Water Direct Reading Scale, 304 SS Protective Shield, $\pm 3\%$ Accuracy



DIMENSIONS					
Tube Size	Female NPT	A	B	C	D
1 and 2	1/2"	2 [50.8]	9.54 [242]	2.25 [57.2]	8.04 [204]
3 and 4	1"	3.5 [89]	13.69 [348]	3.75 [95.3]	10.50 [267]
5 and 6	2"	5 [127]	15.59 [396]	5.25 [133]	11.55 [293]

Ideal for industrial applications, the **SERIES IF** Industrial Direct Reading Flowmeters are fully enclosed in a brushed SS case. The flowmeters can directly measure flow rates up to 116 GPM (439 LPM) for water and 250 SCFM (7080 lpm) for air service. The detachable, clear 3/16" thick polycarbonate front shield provides protection at maximum rated temperature and pressure. Each unit is designed with female NPT end fittings for easy in-line installation.

SPECIFICATIONS

Service: Liquids or gases.
Wetted Materials: Flowtube: Borosilicate glass; float, guide rods, float stops, end; Fittings: 316 SS; O-rings: Fluoroelastomer.
Temperature Limit: 200°F (93°C).
Pressure Limit: 200 psi (13.8 bar); 125 psi for tube size 5 & 6.
Accuracy: $\pm 3\%$ of FS.

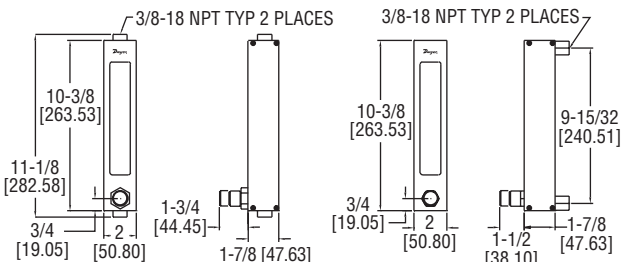
Repeatability: $\pm 0.5\%$ of FS.
Turn-Down Ratio: 10:1.
Scale: Dual scale GPM and SCFM.
Process Connection: See table.
Mounting: Vertical.
Front Shield: Polycarbonate.
Side Panels: 304 SS.

OPTION	
Use order code:	Description
NISTCAL-FL1	NIST traceable calibration certificate

MODEL CHART														
Model	Maximum Flow Rate			Tube Size	Press. Drop (in H ₂ O)	Model	Maximum Flow Rate			Tube Size	Press. Drop (in H ₂ O)			
	Water GPM (LPM)	Air SCFM (LPM)	Model				Water GPM (LPM)	Air SCFM (LPM)	Model			Water GPM (LPM)	Air SCFM (LPM)	
IF2700	0.25 (0.95)	1.2 (35)	1	-	IF2708	6 (20)	25.5 (725)	4	5	IF2716	41 (155)	160 (4531)	6	5
IF2701	0.36 (1.3)	1.7 (50)	1	2	IF2709	7.4 (27.5)	30 (900)	4	6	IF2717	44 (167)	180 (5098)	5	30
IF2702	0.76 (3.0)	3.3 (90)	1	5	IF2710	9.6 (35)	40 (1200)	4	10	IF2718	60 (227)	245 (6938)	6	16
IF2703	1 (3.7)	4.2 (120)	2	6	IF2711	11 (40)	47.5 (1400)	4	13	IF2719	61 (231)	250 (7080)	5	40
IF2704	1.5 (5.6)	6.5 (180)	2	-	IF2712	14 (50)	62 (1800)	4	24	IF2720	86 (326)	-	6	25
IF2705	2.2 (8.2)	8.5 (250)	2	10	IF2713	20 (75)	90 (2600)	4	39	IF2721	116 (439)	-	6	45
IF2706	3.8 (14)	16 (475)	3	10	IF2714	22 (83)	90 (2550)	5	16					
IF2707	5 (18)	21.5 (650)	3	14	IF2715	26 (98)	-	4	70					

ROTATABLE SCALE FLOWMETERS

Dual, Rotatable Direct Reading Scales for Air and Water



In-Line Meter

Panel Mount Meter

SERIES RSF Flowmeters are designed with unique rotatable scales of dual, air-water direct reading graduations. Flow rate is indicated in SCFM and SLPM for air and GPM and LPM for water. Graduations are marked on a rotating, polycarbonate tubeshield which also serves to protect the borosilicate glass flowtube. Flowmeters include a reflective plastic background and 1.5 X magnification lens to reduce eye fatigue and allow for more accurate readings. A blow-out back panel provides additional protection in the event of breakage. Series RSF Flowmeters are available in vertical in-line mounting or panel mounting. Units are shipped completely assembled and include standard mounting hardware for quick installation.

SPECIFICATIONS

Service: Compatible gases or liquids.
Wetted Materials: Flowtube: Borosilicate glass; Float: Brass/SS models: 316 SS; PTFE models: PTFE; Float stops: Brass/SS models: 316 SS; PTFE models: PTFE; End fittings: Brass/SS models: Brass or 316 SS; PTFE models: PTFE; O-rings: Brass/SS models: Fluoroelastomer; PTFE models: PTFE.
Temperature Limit: 250°F (121°C); PTFE models: 150°F (65°C).
Pressure Limit: 150 psig (10.34 bar) @ 200°F (93°C). PTFE models: 100 psig (6.7 bar).

Accuracy: $\pm 7\%$ FS.
Repeatability: $\pm 0.25\%$ FS.
Scale: Direct Reading 127 mm scales for air and water.
Turn-Down Ratio: 10:1.
Connections: Two 3/8" female NPT.
Mounting: Vertical or panel mount.
Panel Cutout: Drill two 7/8" diameter holes 9.469" (240.5 mm) apart (for panel mount meters only).
Valve: 6-turn needle (standard on models indicating "with valve").

OPTION	
Use order code:	Description
NISTCAL-FL1	NIST traceable calibration certificate

MODEL CHART					
Brass & SS Vertical In-Line Meters					
Model Without Valve		Model With Valve		Max. Flow Rate	
Brass	SS	Brass	SS	Air SCFM (SLPM)	Water GPM (LPM)
RSF011	RSF111	RSF011V	RSF111V	5 (140)	1.2 (4)
RSF012	RSF112	RSF012V	RSF112V	10 (280)	2 (8)
RSF013	RSF113	RSF013V	RSF113V	15 (425)	3 (11.5)
RSF014	RSF114	RSF014V	RSF114V	20 (575)	4 (15)
RSF015	RSF115	RSF015V	RSF115V	30 (900)	5 (20)

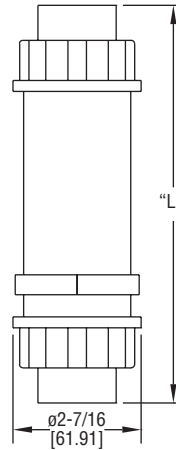
Brass & SS Panel Mount Meters					
Model Without Valve		Model With Valve		Max. Flow Rate	
Brass	SS	Brass	SS	Air SCFM (SLPM)	Water GPM (LPM)
RSF021	RSF121	RSF021V	RSF121V	5 (140)	1.2 (4)
RSF022	RSF122	RSF022V	RSF122V	10 (280)	2 (8)
RSF023	RSF123	RSF023V	RSF123V	15 (425)	3 (11.5)
RSF024	RSF124	RSF024V	RSF124V	20 (575)	4 (15)
RSF025	RSF125	RSF025V	RSF125V	30 (900)	5 (20)

Note: For PTFE models select RSF2XX_ (not available for all models).



PLASTIC FLOWMETERS

± 5% FS Accuracy, Mount in any Position



Meter Size	DIM "L"
1/2" male	7-11/16 [195.26]
1/2" female	7-5/32 [181.76]
3/4" male	8-1/32 [204.00]
3/4" female	7-9/16 [192.09]
1" male	8-3/32 [205.58]
1" female	7-9/16 [192.09]

The **SERIES HFPC & HFPS** Flowmeters are a series of clear body, inline flowmeters. This Series consists of the HFPC polycarbonate body flowmeter and the HFPS polysulfone body flowmeter. These flowmeters have dual scales measuring both in GPM and LPM.

FEATURES/BENEFITS

- Clear body allows for visual inspection of the fluid conditions and immediate problem detection
- Reduce cost with multi position mounting and bidirectional flow eliminating the need for multiple flowmeters
- Rugged construction allows for high pressure and temperature rating for long operation life
- Injection molded, polycarbonate or polysulfone bodies yield great repeatability

APPLICATIONS

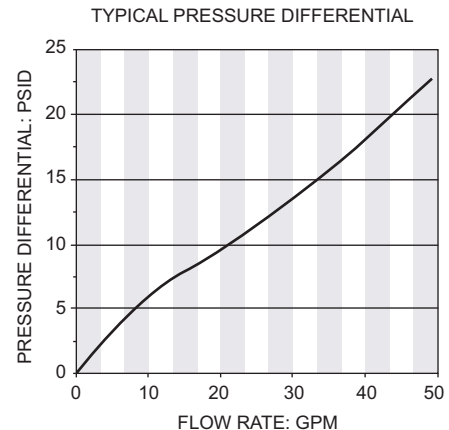
- Chemical processing
- Pulp and paper
- Process control
- Fluid power
- Hydraulic flow
- Heating loop flow

SPECIFICATIONS

Service: Compatible liquids.
Wetted Materials: HFPC: Polycarbonate body, Buna-N seals, SS spring, Polysulfone connections; HFPS: Polysulfone body, Buna-N seals, SS spring, polysulfone connections.
Pressure Limit: 325 psig (22.4 bar).
Temperature Limit: HFPC: 200°F (93°C); HFPS: 250°F (121°C).
Accuracy: ±5% FS.
Repeatability: ±1% FS.
Pressure Loss: See chart.
Weight: Standard models 1 lb (453.6 g). Models with optional brass connections 2 lb (907 g).
CAUTION: Series HFPC & HFPS Flowmeters are for indoor use only or areas without direct sunlight. Polycarbonate & polysulfone are adversely affected by ultraviolet light.

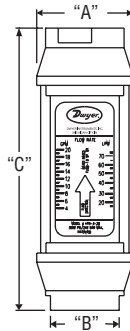
MODEL CHART						
Example	HF	PC	-1	-1	-BC	HFPC-1-1-BC
Series	HF					HF plastic flow meters
Wetted Parts		PC				Polycarbonate body, polysulfone connections
		PS				Polysulfone body, polysulfone connections
Connection			1			1/2" female NPT
			2			3/4" female NPT
			3			1" female NPT
			4			1/2" male NPT brass connections only
			5			3/4" male NPT brass connections only
			6			1" male NPT brass connections only
			7			1/2" female BSPP
			8			3/4" female BSPP
			9			1" female BSPP
Range			1			.5 to 5 GPM (1 to 19 LPM)
			2			1 to 10 GPM (3.8 to 38 LPM)
			3			2 to 15 GPM (7.5 to 55 LPM)
			4			3 to 30 GPM (11 to 113 LPM)
Option				BC		Brass connections

OPTION	
Use order code:	Description
NISTCAL-FL1	NIST traceable calibration certificate



IN-LINE FLOW MONITORS

For Air, Water or Caustic Fluids, $\pm 2.5\%$ Accuracy, Unrestricted Mounting



Connection Size	"A" Reference	"B" Wrench Flats	"C" Reference
1/4" to 1/2" NPT	1-7/8" [48 mm]	1-1/4" [32 mm]	6-9/16" [167 mm]
3/4" to 1" NPT	2-3/8" [60 mm]	1-3/4" [45 mm]	7-1/8" [181 mm]
1-1/2" NPT	3-1/2" [89 mm]	2-5/8" [67 mm]	10-1/8" [257 mm]
2" NPT	3-1/2" [89 mm]	2-5/8" [67 mm]	12-5/8" [321 mm]

The **SERIES HF** In-Line Flow Monitors are ruggedly constructed and ideal for direct measurement for a range of compatible gases, oil or water based liquids. This Series is designed based on a floating orifice disk and variable area flow measurement. Flowing media forces linear motion of the orifice disk and a ring shaped magnet which ride on a tapered center shaft. The transfer magnet drives a clearly visible magnet follower located outside the flow tube, and a ring on the magnet follower indicates flow rate on the direct reading scale.

FEATURES/BENEFITS

- This unique design allows accurate performance with fluid viscosities up to 500 SSU
- All internal wetted parts are contained inside a sealed metal tubular casing assuring a virtually maintenance-free unit
- Increased application versatility with no inlet or outlet straight plumbing requirement and can be mounted horizontally, vertically, or inverted
- Rugged construction allows for high pressure and temperature rating for long operation life

APPLICATIONS

- Setting pressure relief valves
- Fluid handling equipment
- Detecting low-flow rates for lubricating liquids
- Pulp and paper
- Industrial maintenance
- Fluid power
- Heating loop flow

MODEL CHART - ALUMINUM BODY FOR OIL BASED FLUIDS

Model	Connection Size	Range, Oil GPM (LPM)
HFL-2-05	1/2" female NPT	0.5 to 5.0 (1 to 19)
HFL-4-25	1" female NPT	2 to 25 (7.5 to 95)

MODEL CHART - 304 SS BODY FOR HIGH-PRESSURE FLUIDS

Model	Connection Size	Range, Water GPM (LPM)
HFS-2-02	1/2" female NPT	0.2 to 2.0 (0.75 to 7.5)
HFS-2-10	1/2" female NPT	0.5 to 10 (1.9 to 38)

MODEL CHART - ALUMINUM, BRASS, AND STAINLESS STEEL FOR AIR AND OTHER NON-CORROSIVE GASES

Aluminum Model	Brass Model	Stainless Steel Model	Connection (NPT female, dry seal)	Range SCFM (LPS)
HFA-1-001	HFB-1-001	HFS-1-001	1/4"	1.5 to 12 (0.5 to 5.5)
HFA-1-002	HFB-1-002	HFS-1-002	1/4"	4 to 23 (2 to 10)
HFA-1-003	HFB-1-003	HFS-1-003	1/4"	5 to 50 (2.5 to 25)
HFA-1-004	HFB-1-004	HFS-1-004	1/4"	10 to 100 (5 to 45)
HFA-8-001	HFB-8-001	HFS-8-001	3/8"	1.5 to 12 (.5 to 5.5)
HFA-8-002	HFB-8-002	HFS-8-002	3/8"	4 to 23 (2 to 10)
HFA-8-003	HFB-8-003	HFS-8-003	3/8"	5 to 50 (2.5 to 25)
HFA-8-004	HFB-8-004	HFS-8-004	3/8"	10 to 100 (5 to 45)
HFA-2-001	HFB-2-001	HFS-2-001	1/2"	1.5 to 12 (.5 to 5.5)
HFA-2-002	HFB-2-002	HFS-2-002	1/2"	4 to 23 (2 to 10)
HFA-2-003	HFB-2-003	HFS-2-003	1/2"	5 to 50 (2.5 to 25)
HFA-2-004	HFB-2-004	HFS-2-004	1/2"	10 to 100 (5 to 45)
HFA-3-003	HFB-3-003	HFS-3-003	3/4"	5 to 50 (3 to 23)
HFA-3-004	HFB-3-004	HFS-3-004	3/4"	10 to 100 (4 to 48)
HFA-3-005	HFB-3-005	HFS-3-005	3/4"	15 to 150 (8 to 56)
HFA-3-006	HFB-3-006	HFS-3-006	3/4"	30 to 330 (20 to 150)
HFA-4-003	HFB-4-003	HFS-4-003	1"	5 to 50 (3 to 23)
HFA-4-004	HFB-4-004	HFS-4-004	1"	10 to 100 (4 to 48)
HFA-4-005	HFB-4-005	HFS-4-005	1"	15 to 150 (8 to 56)
HFA-4-006	HFB-4-006	HFS-4-006	1"	30 to 330 (20 to 150)
HFA-9-007	HFB-9-007	HFS-9-007	1-1/4"	30 to 470 (15 to 220)
HFA-9-008	HFB-9-008	HFS-9-008	1-1/4"	150 to 900 (75 to 425)
HFA-5-007	HFB-5-007	HFS-5-007	1-1/2"	30 to 470 (15 to 220)
HFA-5-008	HFB-5-008	HFS-5-008	1-1/2"	150 to 900 (75 to 425)

SPECIFICATIONS

Service: Compatible gases or liquids.

Wetted Materials: HFA: Aluminum casing, Buna-N seals, PTFE coated Alnico magnet, SS disk; HFB: Brass casing, Buna-N seals, PTFE coated Alnico magnet, SS disk; HFS: 303 SS casing, FKM seals with PTFE backup, PTFE coated Alnico magnet, SS disk.

Maximum Viscosity: 500 SSU.

Temperature Limits: 240°F (116°C).

Pressure Limits: HFA, HFB, HFL and HFH models: 600 psig (41 bar) for air and gas, 3500 psig (241 bar) for liquids; HFS model: 1000 psig (70 bar) for air and gas, 6000 psig (413 bar) for liquids.

Accuracy: $\pm 4\%$ FS over entire range; $\pm 2.5\%$ over center third of the measuring range.

Repeatability: $\pm 1\%$ of FS.

Shipping Weight: 1/4" to 1/2" female NPT models; 2 lb (0.9 kg); 3/4 to 1" female NPT models: 3.5 lb (1.59 kg); 1-1/2" female NPT models: 11 lb (5 kg); 2" female NPT models: 13.5 lb (6.12 kg).

Note: Series HF monitors are recommended for use with system filtration of at least 74 microns or a 200 mesh screen

MODEL CHART - BRASS BODY FOR WATER BASED FLUIDS (NON-STEAM)

Model	Connection Size	Range, Water GPM (LPM)
HFB-2-05	1/2" female NPT	0.5 to 5.0 (1 to 19)
HFB-3-15	3/4" female NPT	2 to 15 (7.5 to 55)
HFB-3-20	3/4" female NPT	2 to 20 (7.5 to 75)
HFB-4-35	1" female NPT	5 to 35 (19 to 130)
HFB-5-50	1-1/2" female NPT	5 to 50 (19 to 189)
HFB-5-100	1-1/2" female NPT	10 to 100 (38 to 379)
HFB-6-75	2" female NPT	8 to 75 (31 to 284)
HFB-6-150	2" female NPT	20 to 150 (76 to 568)

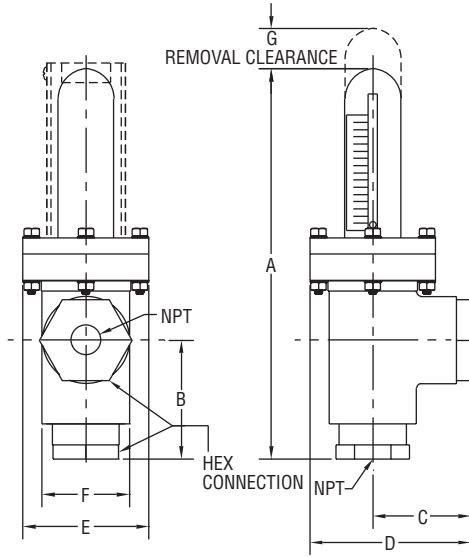


PVC AND CPVC FLOWMETERS

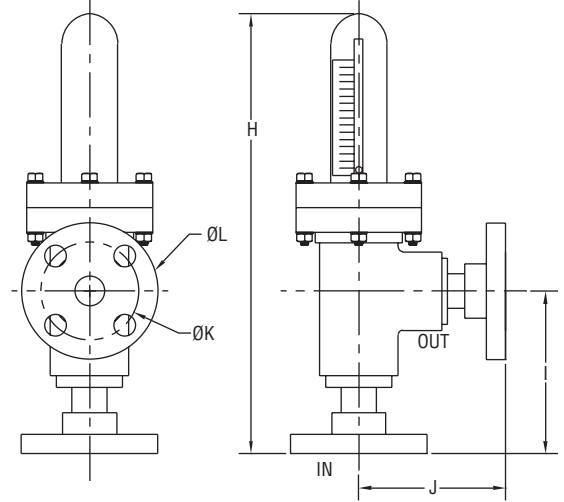
Perfect for Compatible Acids, Caustics and D.I. Water



PVF



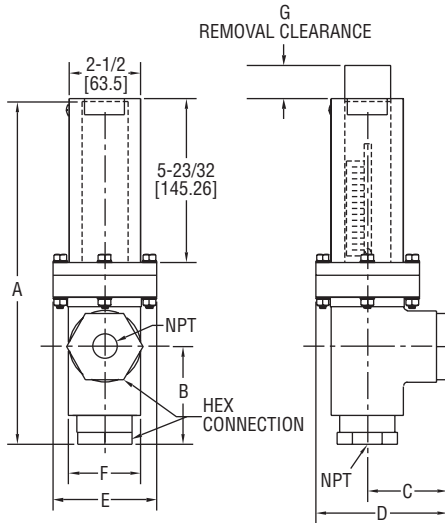
Female NPT



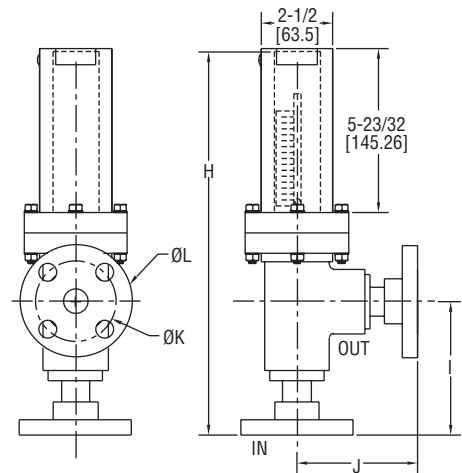
Flange Version



CPF



Female NPT



Flange Version

STANDARD (NPT)								
Range	NPT	A	B	C	D	E	F	G
00/10	3/4"	11-1/32	3-25/64	2-53/64	4-43/64	3-39/64	2-35/64	3
29/40		[280.19]	[86.12]	[71.83]	[118.67]	[91.68]	[64.69]	[76.2]
11/17	1-1/2"	16-15/16	4-1/4	4	6-29/64	5-1/32	3-29/64	5
41/51		[430.21]	[107.95]	[101.6]	[163.91]	[127.79]	[87.71]	[127]
18/22	3"	24-11/32	7-29/32	7-29/32	11-19/32	5-1/32	4-5/16	5
52/56		[618.27]	[200.66]	[200.66]	[294.63]	[127.79]	[109.22]	[127]
23/28	4"	26-43/64	9-13/16	9-13/16	14-9/32	5-7/16	5-7/16	5
57/62		[728.20]	[248.66]	[248.66]	[362.96]	[138.17]	[138.17]	[127]

OPTIONAL FLANGE									
Option	Range	Flange	H	I	J	K	L	# of Bolt Holes	Flange Opening Diameter
F1	00/10	3/4"	12-1/4	4-5/8	4-1/16	2-3/4	3-7/8	4	(1-1/8")
	29/40		[311.65]	[117.6]	[103.38]	[69.85]	[98.55]		
F2	11/17	1-1/2"	18-5/8	5-15/16	5-11/16	3-7/8	5	4	(2")
	41/51		[473.19]	[151.13]	[144.78]	[98.55]	[127]		
F3	18/22	3"	22-35/64	6-7/64	6-7/64	6	7-1/2	4	(3-1/2")
	52/56		[572.64]	[155.18]	[155.18]	[152.4]	[190.5]		
F4	23/28	4"	26-3/8	7-1/2	7-1/2	7-1/2	9	8	(4-1/2")
	57/62		[669.86]	[190.5]	[190.5]	[190.5]	[228.6]		

PVC AND CPVC FLOWMETERS

Perfect for Compatible Acids, Caustics and D.I. Water

The **SERIES PVF & CPF** Flowmeters are heavy bodied meters for corrosives and high purity fluids. The flowmeters are available with 3/4", 1-1/2", 3", and 4" female NPT connections with optional flange connections.

FEATURES/BENEFITS

- Comprised of all plastic wetted components for maximum corrosion resistance
- Long operational life with rugged construction that resists chemical attack and wear
- Easily disassembled without the meter being removed from the pipeline for easy cleaning

APPLICATIONS

- Deionized water flow
- Water & wastewater treatment
- Electroplating
- Pickling

SPECIFICATIONS

Service: Compatible gases or liquids.
Wetted Materials: PVF: PVC, fluor elastomer O-rings; CPF: CPVC, Buna-N O-rings.
Temperature Limits: See operating limits chart.
Pressure Limits: See operating limits chart.
Accuracy: ±2% of FS.
Repeatability: ±0.5% of indicated flow rate.
Process Connections: 3/4", 1-1/2", 3", and 4" female NPT.
Weight: 3 lb (1.4 kg) for 3/4", 9 lb (4.1 kg) for 1-1/2", 14 lb (6.4 kg) for 3", and 18 lb (8.2) for 4".

MODEL CHART - WATER SERVICE

Model	Model	Range (GPM Water)	Connection (female NPT)
PVF-00	CPF-00	0.025 to 0.54	3/4"
PVF-01	CPF-01	0.04 to 0.80	3/4"
PVF-02	CPF-02	0.06 to 1.20	3/4"
PVF-03	CPF-03	0.08 to 1.64	3/4"
PVF-04	CPF-04	0.10 to 2.60	3/4"
PVF-05	CPF-05	0.15 to 3.80	3/4"
PVF-06	CPF-06	0.20 to 5.40	3/4"
PVF-07	CPF-07	0.20 to 7.00	3/4"
PVF-08	CPF-08	0.20 to 10.00	3/4"
PVF-09	CPF-09	0.60 to 15.00	3/4"
PVF-10	CPF-10	0.50 to 20.0	3/4"
PVF-11	CPF-11	0.50 to 11.0	1-1/2"
PVF-12	CPF-12	0.70 to 15.0	1-1/2"
PVF-13	CPF-13	1.00 to 25.0	1-1/2"
PVF-14	CPF-14	0.50 to 35.0	1-1/2"
PVF-15	CPF-15	1.00 to 50.0	1-1/2"
PVF-16	CPF-16	2.00 to 70.0	1-1/2"
PVF-17	CPF-17	4.00 to 120	1-1/2"
PVF-18	CPF-18	2.00 to 50.0	3"
PVF-19	CPF-19	4.00 to 100	3"
PVF-20	CPF-20	7.00 to 150	3"
PVF-21	CPF-21	10.0 to 200	3"
PVF-22	CPF-22	15.0 to 300	3"
PVF-23	CPF-23	4.00 to 100	4"
PVF-24	CPF-24	7.00 to 150	4"
PVF-25	CPF-25	10.0 to 200	4"
PVF-26	CPF-26	15.0 to 300	4"
PVF-27	CPF-27	15.0 to 400	4"
PVF-28	CPF-28	20.0 to 500	4"

Note: For optional flange connections contact the factory.

MODEL CHART - AIR SERVICE

Model	Model	Range (SCFM Air)	Connection (female NPT)
PVF-29	CPF-29	0.30 to 7.40	3/4"
PVF-30	CPF-30	0.50 to 10.2	3/4"
PVF-31	CPF-31	0.70 to 14.0	3/4"
PVF-32	CPF-32	1.00 to 20.0	3/4"
PVF-33	CPF-33	1.00 to 26.0	3/4"
PVF-34	CPF-34	1.00 to 35.0	3/4"
PVF-35	CPF-35	2.00 to 50.0	3/4"
PVF-36	CPF-36	3.00 to 70.0	3/4"
PVF-37	CPF-37	4.00 to 85.0	3/4"
PVF-38	CPF-38	6.00 to 125	3/4"
PVF-39	CPF-39	6.00 to 160	3/4"
PVF-40	CPF-40	4.00 to 260	3/4"
PVF-41	CPF-41	2.0 to 40.0	1-1/2"
PVF-42	CPF-42	3.00 to 70.0	1-1/2"
PVF-43	CPF-43	4.00 to 100	1-1/2"
PVF-44	CPF-44	5.00 to 140	1-1/2"
PVF-45	CPF-45	5.00 to 175	1-1/2"
PVF-46	CPF-46	6.00 to 250	1-1/2"
PVF-47	CPF-47	2.0 to 310	1-1/2"
PVF-48	CPF-48	7.50 to 390	1-1/2"
PVF-49	CPF-49	10.0 to 510	1-1/2"
PVF-50	CPF-50	35.0 to 750	1-1/2"
PVF-51	CPF-51	20.0 to 1000	1-1/2"
PVF-52	CPF-52	30.0 to 600	3"
PVF-53	CPF-53	40.0 to 1000	3"
PVF-54	CPF-54	70.0 to 1750	3"
PVF-55	CPF-55	100.0 to 2300	3"
PVF-56	CPF-56	150.0 to 3500	3"
PVF-57	CPF-57	40.0 to 1000	4"
PVF-58	CPF-58	70.0 to 1750	4"
PVF-59	CPF-59	100.0 to 2300	4"
PVF-60	CPF-60	150.0 to 3500	4"
PVF-61	CPF-61	150.0 to 4000	4"
PVF-62	CPF-62	200.0 to 5000	4"

PVF OPERATING LIMITS

Maximum Non-Shock Working Pressure, psig @ °F (bar @ °C)						
Body Size	Description	70°F (21°C)	80°F (26°C)	100°F (37°C)	120°F (48°C)	140°F (60°C)
3/4" PVC	NPT connection	250 (17)	255 (15)	150 (10)	90 (6)	50 (3)
1-1/2" PVC	NPT connection	170 (11)	150 (10)	105 (7)	65 (4)	40 (2)
3" and 4" PVC	NPT connection	160 (11)	150 (10)	105 (7)	65 (4)	40 (2)
3/4" PVC	Flange connection	150 (10)	150 (10)	150 (10)	65 (4)	50 (3)
1-1/2" PVC	Flange connection	150 (10)	150 (10)	105 (7)	65 (4)	40 (2)
3" and 4" PVC	Flange connection	150 (10)	150 (10)	105 (7)	65 (4)	40 (2)

CPF OPERATING LIMITS

Maximum Non-Shock Working Pressure, psig @ °F (bar @ °C)									
Body Size	Description	70°F (21°C)	80°F (26°C)	100°F (37°C)	120°F (48°C)	140°F (60°C)	160°F (71°C)	180°F (82°C)	210°F (98°C)
3/4" CPVC	NPT connection	270 (19)	270 (19)	250 (17)	200 (10)	150 (10)	130 (9)	80 (6)	50 (3)
1-1/2" CPVC	NPT connection	180 (12)	180 (12)	170 (11)	145 (10)	115 (8)	85 (6)	50 (3)	30 (2)
3" and 4" CPVC	NPT connection	160 (11)	160 (11)	140 (10)	125 (9)	105 (7)	75 (5)	50 (3)	30 (2)
3/4" CPVC	Flange connection	150 (10)	150 (10)	150 (10)	135 (9)	110 (8)	90 (6)	70 (5)	40 (2)
1-1/2" CPVC	Flange connection	150 (10)	150 (10)	150 (10)	135 (9)	110 (8)	90 (6)	70 (5)	40 (2)
3" and 4" CPVC	Flange connection	150 (10)	150 (10)	150 (10)	135 (9)	110 (8)	90 (6)	70 (5)	40 (2)

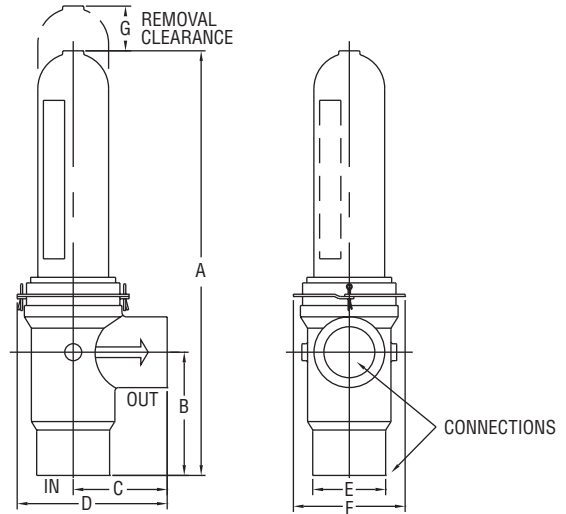


TOTAL VIEW INDUSTRIAL FLOWMETERS

View Flow Rate from 360°, Water or Air Ranges



TVFS



A	B	C	D	E	F	G	Female NPT	Material
9.36	2.81	2.68	4.00	1.35	2.72	3.00	3/4"	SS
15.22	4.53	3.71	5.70	2.48	3.95	5.00	1-1/2"	SS

The **SERIES TVF** Total View Industrial Flowmeters are economically priced, tough, simple and accurate meters. The flowmeters have a full scale accuracy of $\pm 2\%$ and constructed of T-316 stainless steel. The Series TVF flowmeters are available with standard 3/4" and 1-1/2" female NPT connections.

FEATURES/BENEFITS

- Easy to read with 360° rotation of scale on plastic sight tube models
- The sight tube is comprised of polysulfone for added corrosion resistance
- Easily disassembled without the meter being removed from the pipeline for easy cleaning
- Rugged construction allows for high pressure and temperature rating for long operation life

APPLICATIONS

- Water & oil flow monitoring
- Coolant lines
- Compressed gases
- Industrial applications

SPECIFICATIONS

Service: Compatible gases or liquids.
Wetted Materials: Body: SS; O-rings: Buna-N; Sight tube: Polysulfone.
Temperature Limits: See "Operating Limits" table.
Pressure Limits: See "Operating Limits" table.
Accuracy: $\pm 2\%$ of FS.
Repeatability: $\pm 0.25\%$ of indicated flow rate.
Process Connections: 3/4" and 1-1/2" female NPT.
Scale Length: 3.2" (8 cm) for 3/4" NPT connection, 5.2" (13 cm) for 1-1/2" NPT connection.
Weight: 4 lb (1.8 kg) for 3/4", and 12 lb (5.5 kg) for 1-1/2".

MODEL CHART			
Example	TVFS	-00	TVFS-00
Series	TVFS		3/4" female NPT 1-1/2" female NPT
Range Code		-XX	See Range/Connection Chart (add range code to Series designator for model number)

Note: Contact factory for optional metric scales (liters/minute).

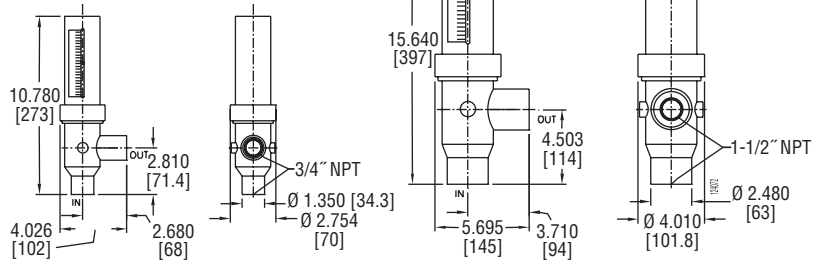
OPERATING LIMITS			
Maximum Non-Shock Working Pressure psig @ °F (bar @ °C)			
Connection	200°F (93°C)	250°F (121°C)	300°F (148°C)
3/4"	300 (20.6)	250 (17.2)	115 (7.9)
1-1/2"	180 (12.4)	145 (10.0)	70 (4.8)

RANGE/CONNECTION CHART								
Range Code	Range GPM Water	Connection (Female NPT)	Range Code	Range SCFM Air	Connection (Female NPT)	Range Code	Range SCFM Air	Connection (Female NPT)
-00	0.025 to 0.545	3/4"	-19	0.16 to 3.20	3/4"	-33	1.50 to 25.0	1-1/2"
-01	0.04 to 0.80	3/4"	-20	0.50 to 5.00	3/4"	-34	1.00 to 31.0	1-1/2"
-02	0.06 to 1.20	3/4"	-21	0.30 to 7.40	3/4"	-35	2.00 to 40.0	1-1/2"
-03	0.08 to 1.64	3/4"	-22	0.50 to 10.2	3/4"	-36	3.0 to 70.0	1-1/2"
-04	0.10 to 2.60	3/4"	-23	0.60 to 14.0	3/4"	-37	4.0 to 100.0	1-1/2"
-05	0.15 to 3.80	3/4"	-24	1.00 to 20.0	3/4"	-38	5.0 to 140.0	1-1/2"
-06	0.20 to 5.40	3/4"	-25	1.00 to 26.0	3/4"	-39	5.0 to 175.0	1-1/2"
-07	0.20 to 7.00	3/4"	-26	1.00 to 35.0	3/4"	-40	6.00 to 250.0	1-1/2"
-08	0.20 to 10.0	3/4"	-27	2.00 to 50.0	3/4"	-41	2.00 to 310.0	1-1/2"
-09	0.60 to 14.00	3/4"	-28	3.00 to 70.0	3/4"	-42	7.50 to 390.0	1-1/2"
-10	0.50 to 23.00	3/4"	-29	4.00 to 85.0	3/4"	-43	10.0 to 510.0	1-1/2"
-11	0.50 to 11.0	1-1/2"	-30	6.00 to 125.0	3/4"	-44	35.0 to 750.0	1-1/2"
-12	0.70 to 15.0	1-1/2"	-31	6.0 to 160.0	3/4"	-45	20.0 to 1000.0	1-1/2"
-13	1.00 to 21.0	1-1/2"	-32	4.00 to 260.0	3/4"			
-14	0.50 to 35.0	1-1/2"						
-15	1.00 to 50.0	1-1/2"						
-16	2.00 to 70.0	1-1/2"						
-17	3.00 to 90.0	1-1/2"						
-18	4.00 to 120.0	1-1/2"						



ALL METAL FLOWMETERS

Available in Stainless Steel for Industrial Environments



3/4" Models

1-1/2" Models

The **SERIES SSM** Metal Flowmeters are rugged, general purpose industrial flowmeters with a direct reading scale and $\pm 2\%$ accuracy. These meters are of T316SS construction and offered in 3/4" and 1-1/2" process connections.

FEATURES/BENEFITS

- Increased compatibility with an internal magnet that moves the external flow indicator in a non-wetted enclosure
- Easily disassembled without the meter being removed from the pipeline for easy cleaning
- Pipe adaptors may be used to adapt to alternate size liner without altering accuracy
- Higher than typical $\pm 2\%$ accuracy on a 25 to 1 ratio range compared to typical variable area ball float flowmeters

APPLICATIONS

- Dirty or opaque fluids
- High temperature & pressure industrial flow
- Harsh environments
- Coolant lines
- Compressed gases

SPECIFICATIONS

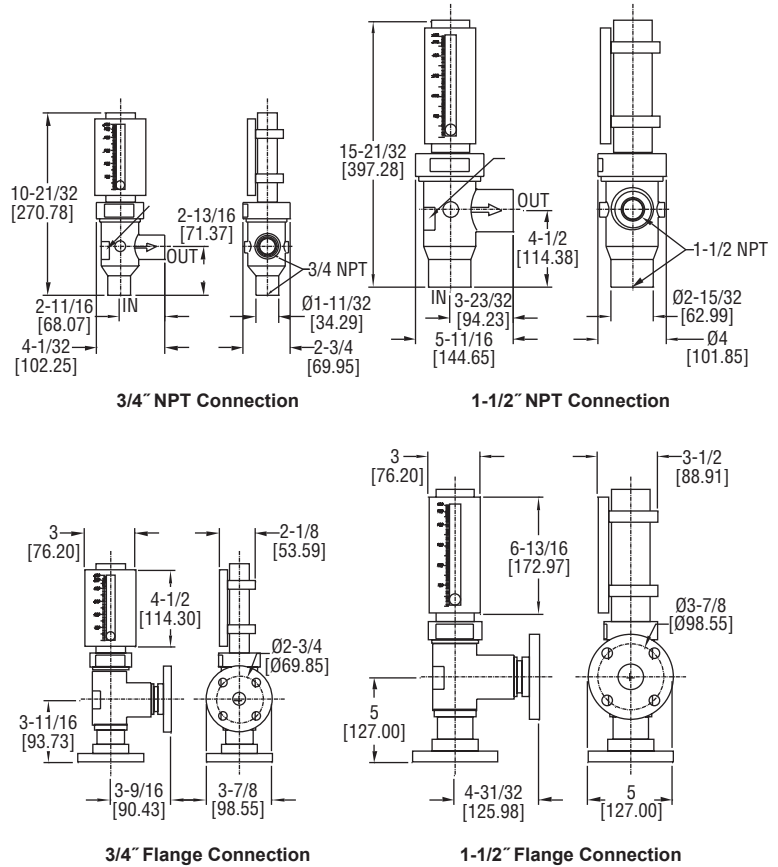
Service: Compatible liquids and gases.
Wetted Material: T316 SS, Alnico magnet, FKM O-ring.
Temperature Limits: 300°F (149°C).
Pressure Limits: 3/4" models: 1000 psig (68.9 bar) @ 250°F (121°C), 1-1/2" models: 800 psig (55 bar) @ 250°F (121°C).
Accuracy: $\pm 2\%$ FS.
Repeatability: $\pm 0.5\%$ of indicated flow rate.
Process Connections: 3/4" or 1-1/2" female NPT.
Scale Length: 3/4" models: 3.2" (8 cm); 1-1/2" models: 5.2" (13 cm).
Weight: 3/4" models: 5 lb (2.3 kg); 1-1/2" models: 13 lb (5.9 kg).

MODEL CHART			
316 SS Body	Range	Connection	Max. Pressure Loss
SSM-00	0.2 to 5.4 GPM water (0.75 to 21 LPM)	3/4"	17.2 in w.c.
SSM-01	0.2 to 10 GPM water (1 to 35 LPM)	3/4"	22.0 in w.c.
SSM-02	0.5 to 23 GPM water (0.5 to 90 LPM)	3/4"	75.0 in w.c.
SSM-03	0.5 to 35 GPM water (2 to 130 LPM)	1-1/2"	18.5 in w.c.
SSM-04	1 to 50 GPM water (8 to 200 LPM)	1-1/2"	26.0 in w.c.
SSM-05	2 to 70 GPM water (2 to 265 LPM)	1-1/2"	80.0 in w.c.
SSM-06	4 to 120 GPM water (15 to 450 LPM)	1-1/2"	130.0 in w.c.
SSM-07	2 to 50 SCFM air (4 to 85 m ³ /hr)	3/4"	4.5 in w.c.
SSM-08	6 to 125 SCFM air (10 to 210 m ³ /hr)	3/4"	11.8 in w.c.
SSM-09	4 to 260 SCFM air (10 to 440 m ³ /hr)	3/4"	93.0 in w.c.
SSM-10	2 to 310 SCFM air (10 to 530 m ³ /hr)	1-1/2"	12.0 in w.c.
SSM-11	10 to 515 SCFM air (20 to 880 m ³ /hr)	1-1/2"	40.0 in w.c.
SSM-12	35 to 750 SCFM air (40 to 1300 m ³ /hr)	1-1/2"	70.0 in w.c.
SSM-13	20 to 1000 SCFM air (40 to 1700 m ³ /hr)	1-1/2"	90.0 in w.c.



STAINLESS STEEL FLOWMETERS

Ideal for Steam Applications



Flowmeters, In-Line

The **SERIES STFLO** Steam Flowmeters are heavy duty, industrial flowmeters with high temperature and pressure limits. These units include a geothermal PTFE O-ring with direct reading scale and $\pm 2\%$ accuracy. These meters are of T316SS construction and offered in 3/4" and 1-1/2" process connections.

FEATURES/BENEFITS

- Easily disassembled without the meter being removed from the pipeline for easy cleaning
- Rugged construction allows for high pressure and temperature rating for long operation life

APPLICATIONS

- Monitoring steam flow
- High temperature & pressure industrial flow
- Harsh environments

SPECIFICATIONS

Service: Compatible with liquids and gases.
Wetted Material: T316 SS, Alnico magnet, geothermal PTFE O-ring.
Temperature Limits: See chart.
Pressure Limits: See chart.
Accuracy: $\pm 2\%$ FS.
Repeatability: $\pm 0.5\%$ of indicated flow rate.
Process Connections: 3/4" or 1-1/2" female NPT, optional flange connections.
Scale Length: 3/4" models: 3.2" (8 cm); 1-1/2" models: 5.2" (13 cm).
Weight: 3/4" NPT models: 5.75 lb (2.6 kg); 1-1/2" NPT models: 14 lb (6.4 kg). 3/4" flange models: 9.75 lb (4.4 kg); 1-1/2" flange models: 22 lb (10 kg).

OPTIONS	
To order add suffix:	Description
F1	3/4" 150 # ANSI flange connection
F2	1-1/2" 150 # ANSI flange connection

MODEL CHART					
Model	Range lb/hr. steam	Connection NPT*	Model	Range lb/hr. steam	Connection NPT*
STFLO-00	2.3 to 50	3/4"	STFLO-08	7 to 100	1-1/2"
STFLO-01	5 to 100	3/4"	STFLO-09	7 to 150	1-1/2"
STFLO-02	5 to 150	3/4"	STFLO-10	14.5 to 335	1-1/2"
STFLO-03	9.5 to 240	3/4"	STFLO-11	24 to 800	1-1/2"
STFLO-04	14 to 335	3/4"	STFLO-12	28.5 to 1200	1-1/2"
STFLO-05	18.5 to 405	3/4"	STFLO-13	14.5 to 1480	1-1/2"
STFLO-06	28.5 to 770	3/4"	STFLO-14	35 to 1825	1-1/2"
STFLO-07	28.5 to 1230	3/4"			

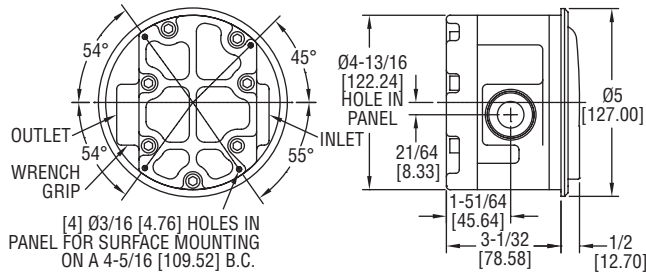
Note: For ranges calibrated for water or air contact the factory. *For flanged connection, see Options.

OPERATING LIMITS								
Maximum Non-Shock Working Pressure, psig (bar)								
Connection	0°F (-18°C)	70°F (21°C)	300°F (148°C)	350°F (176°C)	400°F (204°C)	450°F (232°C)	500°F* (260°C)	600°F* (315°C)
3/4"	1000 (68.9)	1000 (68.9)	1000 (68.9)	990 (68.2)	970 (66.8)	950 (65.5)	930 (64.1)	900 (62)
1-1/2"	800 (55)	800 (55)	800 (55)	790 (54.4)	780 (53.7)	770 (53)	760 (52.4)	750 (51.7)

*Consult factory for high temperature option. 450°F (232°C) max standard with PTFE O-ring.

RATE-MASTER® DIAL-TYPE FLOWMETERS

Brass Body, Three Ranges to 20 GPM Water



The **SERIES RMV** Rate-Master® Flowmeters measure higher water flow rates with $\pm 2\%$ of full scale accuracy at an affordable price. Stocked models are fitted with 1" female NPT inlet and outlet; 3/4" and 1/2" sizes are also available. Install in line, supported by piping or flush panel mount with complete hardware package included.

FEATURES/BENEFITS

- Rugged forged brass housing yields great compatibility and strength, allowing the unit to withstand system pressures to 1000 psig (68.9 bar)
- Shatter proof construction, unlike glass tube variable area flowmeters, yields long operation life

APPLICATIONS

- Monitor coolant flow through ingot heaters, high-amp switchgear, resistance welders, heat exchangers, compressors, scrubbers
- Monitor water consumption to different processes and operations for more efficient operations
- Calculate required fill or drain times for tanks, water towers

OPTION	
To order add suffix:	Description
-NIST	NIST traceable calibration certificate
Example: RMV-1-3-NIST	

SPECIFICATIONS

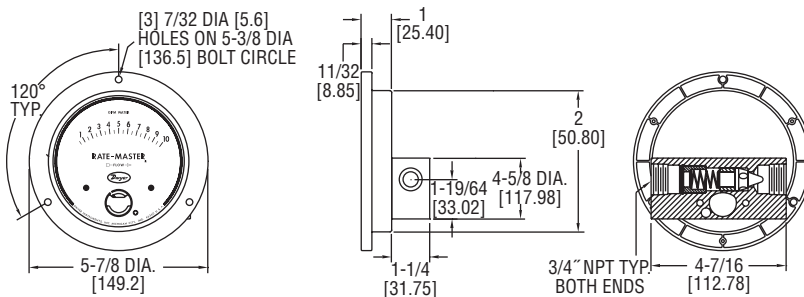
Service: Compatible liquids.	Pressure Drop: 0 to 5 GPM: 3.2 psid; 0 to 10 GPM: 5.3 psid; 0 to 20 GPM: 10.4 psid.
Wetted Materials: Brass, copper, 302 SS, sintered barium ferrite.	Accuracy: $\pm 2\%$ of FS.
Temperature Limits: 20 to 200°F (-6.7 to 93°C).	Size: Diameter dial face 4" (101.6 mm).
Pressure Limit: 1000 psig (68.9 bar).	Process Connections: See chart.
	Maximum Flow: 1.5 x full-scale reading.
	Weight: 9 lb (4.08 kg).

MODEL CHART

Model	Range, GPM Water	Connection Size
RMV-1-3	0 to 5	1" female NPT
RMV-2-3	0 to 10	1" female NPT
RMV-3-3	0 to 20	1" female NPT
RMV-1-2	0 to 5	3/4" female NPT
RMV-2-2	0 to 10	3/4" female NPT
RMV-3-2	0 to 20	3/4" female NPT
RMV-1-1	0 to 5	1/2" female NPT
RMV-2-1	0 to 10	1/2" female NPT
RMV-3-1	0 to 20	1/2" female NPT

RATE-MASTER® DIAL-TYPE FLOWMETERS

For Panel Mounting, Three Ranges to 10 GPM Water



*FITS IN ANSI STANDARD 4.940 [125.5] PANEL CUTOUT

The **SERIES RMVII** Rate-Master® Flowmeters consists of a machined brass meter body which is ideally suited for water flows with $\pm 5\%$ of full scale accuracy. Body design fits standard 4-1/2" mounting hole layouts per ANSI B40.1. Inlet and outlet threads are standard 3/4" female NPT.

FEATURES/BENEFITS

- Unique construction fully isolates flowing media from gage front for leak-proof operation at pressures up to 3000 psig (206.7 bar)
- Target-type design combined with a damage resistant magnetic linkage, drive a pointer over easy-to-read litho scale
- Shatter proof construction, unlike glass tube variable area flowmeters, yields long operation life

APPLICATIONS

- Monitor coolant flow through ingot heaters, high-amp switchgear, resistance welders, heat exchangers, compressors, scrubbers
- Monitor water consumption to different processes and operations for more efficient operations
- Calculate required fill or drain times for tanks, water towers

OPTION	
To order add suffix:	Description
-NIST	NIST traceable calibration certificate
Example: RMVII-1-NIST	

SPECIFICATIONS

Service: Compatible gases & liquids & oils.	Pressure Drop: 0 to 5 GPM: 3.2 psid; 0 to 10 GPM: 5.3 psid; 0 to 20 GPM: 10.4 psid.
Wetted Materials: Brass, 302 SS, sintered barium ferrite, polyacetyl.	Accuracy: $\pm 5\%$ of FS.
Temperature Limit: 200°F (93°C).	Size: Diameter dial face 4.5" (114.3 mm).
Pressure Limit: 3000 psig (206 bar).	Process Connections: 3/4" female NPT.
	Weight: 2 lb, 14 oz (1.3 kg).

MODEL CHART

Model	Range GPM Water	Range SCFM	Range LPM Air	Range GPM Oil	Range LPM Oil
RMVII-1	0 to 3	-	-	-	-
RMVII-3	0 to 5	-	-	-	-
RMVII-6	0 to 10	-	-	-	-
RMVII-10	-	0 to 10	0 to 280	-	-
RMVII-12	-	0 to 30	0 to 850	-	-
RMVII-14	-	0 to 50	0 to 1400	-	-
RMVII-20	-	-	-	0 to 2.2	0 to 8
RMVII-21	-	-	-	0 to 4.0	0 to 15
RMVII-22	-	-	-	0 to 8.5	0 to 32



VARIABLE-AREA FLOWMETERS

In-Line Mounting, Gas, Liquids & Oils



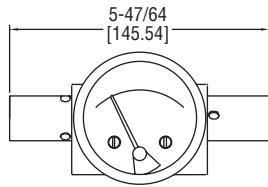
DTFW



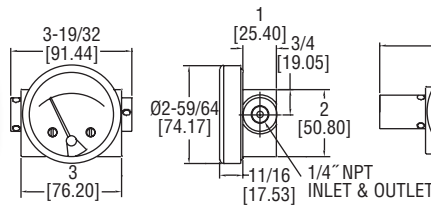
DTFO



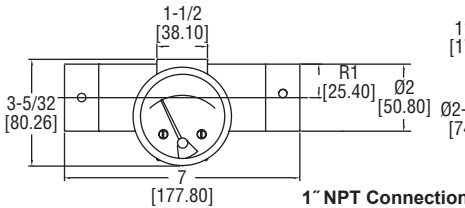
DTFA



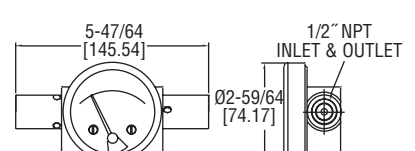
1/2" NPT Process Connection



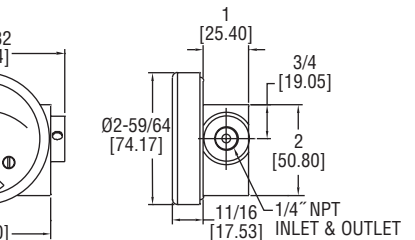
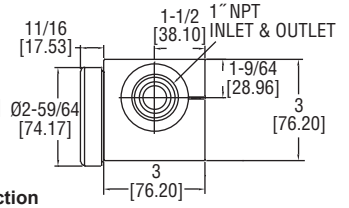
1/4" NPT Connection



1" NPT Connection



1/2" NPT Connection



1/4" NPT Connection

The **SERIES DTFW & DTFO** Variable-Area Flowmeters for Liquids and Oils measure water or oil flow rates with $\pm 2\%$ of full scale accuracy at a competitive price. Available in 1/4", 1/2" and 1" connections for a wide variety of applications and comes calibrated for horizontal in line mounting.

The **SERIES DTFA** Variable-Area Flowmeters for Gases measures gas flow rates with $\pm 5\%$ of full scale accuracy at an affordable price. Available in either 1/4" or 1/2" NPT connections and comes pre-calibrated for horizontal in-line mounting.

FEATURES/BENEFITS

- Durable metal construction ensures great reliability and the strength to withstand system pressures of up to 3000 psig (200 bar).
- Shatter proof construction, unlike glass tube variable area flowmeters, yields long operation life
- Perform precisely in high temperature, high vibration, shock-prone environments

APPLICATIONS

- Monitoring pressure drop across filters or strainers
- Flow scale based on differential pressure
- Liquid level given pressure differential between bottom and top of tank
- Hydraulic equipment
- Oil & gas equipment
- Heat exchangers
- Backflow prevention

SPECIFICATIONS

Service: DTFW: Compatible liquids; DTFO: Compatible oils; DTFA: Compatible gases.
Wetted Materials: Body: 316 SS, brass or aluminum; Spring: 302 SS or PTFE-coated; Range spring: 302 SS; Magnet: PTFE-coated; Metering cone: Acetal or PTFE; Seals: Buna.
Temperature Limits: -40 to 200°F (-40 to 93°C).
Pressure Limit: DTFW-3S: 1500 psig (100 bar); All other DTFW models: 3000 psig (200 bar); DTFO-1B and DTFO-2B: 3000 psig (200 bar); DTFO-3S: 1500 psig (100 bar); DTFA: 3000 psig (200 bar).
Accuracy: Liquid/oil calibration: $\pm 2\%$ FS; Air calibration: $\pm 5\%$ FS.
Repeatability: $\pm 1\%$ FS.
Size: Diameter dial face 2.5" (63.5 mm).
Process Connection: See model chart.
Weight: DTFW-1B and 1S: 3 lb (1.36 kg); DTFW-2B and 2S: 5 lb (2.27 kg); DTFW-3S: 10 lb (4.54 kg); DTFO-1B: 3 lb (1.36 kg); DTFO-2B: 5 lb (2.27 kg); DTFO-3S: 10 lb (4.54 kg); DTFA-1A: 3 lb (1.36 kg); DTFA-2A: 5 lb (2.27 kg).

MODEL CHART

Model	Range, SCFM	Body	Connection
DTFA-1A-10A	1.5 to 10	Aluminum	1/4" NPT
DTFA-1A-15A	2.0 to 15	Aluminum	1/4" NPT
DTFA-1A-20A	3.0 to 20	Aluminum	1/4" NPT
DTFA-1A-25A	3.0 to 25	Aluminum	1/4" NPT
DTFA-2A-30A	3.0 to 30	Aluminum	1/2" NPT
DTFA-2A-40A	4.0 to 40	Aluminum	1/2" NPT
DTFA-2A-50A	4.0 to 50	Aluminum	1/2" NPT
DTFA-2A-75A	5.0 to 75	Aluminum	1/2" NPT
DTFA-2A-100A	10.0 to 100	Aluminum	1/2" NPT

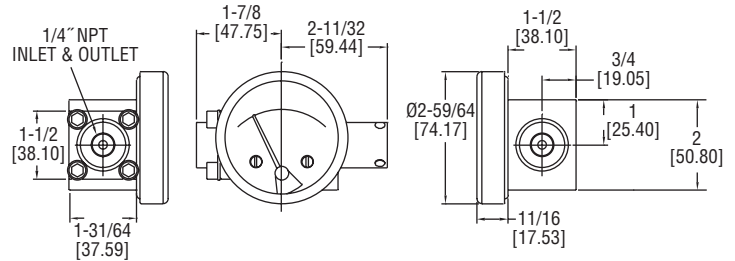
MODEL CHART

Model	Range GPM Water	Connection NPT	Body	Metering Cone	Model	Range GPM Water	Connection NPT	Body	Metering Cone
DTFW-1B-1W	0 to 1	1/4"	Brass	Acetal	DTFW-2B-8W	0 to 8	1/2"	Brass	Acetal
DTFW-1B-2W	0 to 2	1/4"	Brass	Acetal	DTFW-2B-10W	0 to 10	1/2"	Brass	Acetal
DTFW-1B-3W	0 to 3	1/4"	Brass	Acetal	DTFW-2S-1W	0 to 1	1/2"	SS	Acetal
DTFW-1B-4W	0 to 4	1/4"	Brass	Acetal	DTFW-2S-2W	0 to 2	1/2"	SS	Acetal
DTFW-1B-5W	0 to 5	1/4"	Brass	Acetal	DTFW-2S-3W	0 to 3	1/2"	SS	Acetal
DTFW-1S-1W	0 to 1	1/4"	SS	Acetal	DTFW-2S-4W	0 to 4	1/2"	SS	Acetal
DTFW-1S-2W	0 to 2	1/4"	SS	Acetal	DTFW-2S-5W	0 to 5	1/2"	SS	Acetal
DTFW-1S-3W	0 to 3	1/4"	SS	Acetal	DTFW-2S-8W	0 to 8	1/2"	SS	Acetal
DTFW-1S-4W	0 to 4	1/4"	SS	Acetal	DTFW-2S-10W	0 to 10	1/2"	SS	Acetal
DTFW-1S-5W	0 to 5	1/4"	SS	Acetal	DTFW-3S-10W	0 to 10	1"	SS	PTFE
DTFW-2B-1W	0 to 1	1/2"	Brass	Acetal	DTFW-3S-15W	0 to 15	1"	SS	PTFE
DTFW-2B-2W	0 to 2	1/2"	Brass	Acetal	DTFW-3S-20W	0 to 20	1"	SS	PTFE
DTFW-2B-3W	0 to 3	1/2"	Brass	Acetal	DTFW-3S-25W	0 to 25	1"	SS	PTFE
DTFW-2B-4W	0 to 4	1/2"	Brass	Acetal	DTFW-3S-30W	0 to 30	1"	SS	PTFE
DTFW-2B-5W	0 to 5	1/2"	Brass	Acetal					

Note: For oil compatible models, change all W's to O's in model number. **Example:** DTFO-1B-1O
Note: Not available in 1/4" or 1/2" SS.

FIXED-ORIFICE FLOWMETER FOR LOW FLOW RATES

316 SS Body, Oil/Gas/Water Calibration



1/4" NPT Process Connection

The **SERIES DTFF** Variable-Area Flowmeters for Low Flow Rates measures water, oil, or air flow rates with great accuracy at a competitive price. This Series is available in a wide range of flow rates for each calibration, with stainless steel construction as standard and is pre calibrated for horizontal in-line mounting.

FEATURES/BENEFITS

- Rugged stainless steel construction ensures great compatibility and is an excellent choice for high line pressure applications, with a maximum pressure of 3000 psig (200 bar)
- High sensitivity for low flow measurement
- Shatter proof construction, unlike glass tube variable area flowmeters, yields long operation life

APPLICATIONS

- Monitoring low pressure drop across filters or strainers
- Low flow monitoring based on differential pressure
- Oil & gas equipment
- Heat exchangers
- Backflow prevention

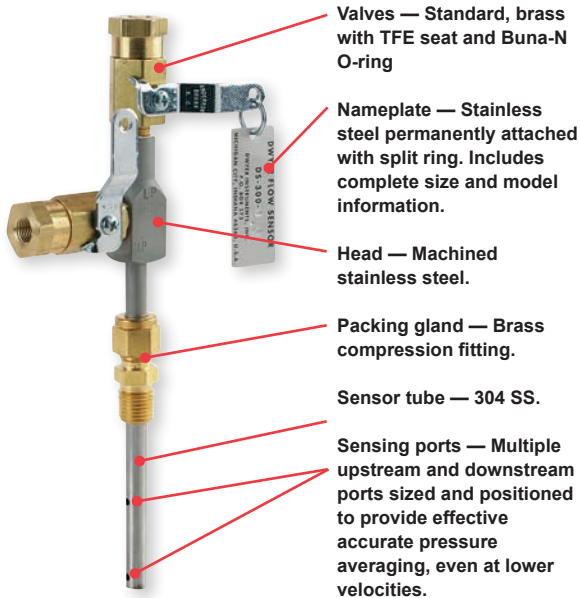
SPECIFICATIONS

Service: Compatible gases & liquids & oils.
Wetted Materials: Body: 316 SS; Spring: 302 SS; Range spring: 302 SS; Magnet: PTFE-coated; Orifice piston: Acetal; Diaphragm: Fluoroelastomer.
Temperature Limit: -22 to 200°F (30 to 93°C).
Pressure Limit: 3000 psig (200 bar).
Accuracy: Liquid/oil calibration: ±2% FS; Air calibration: ±5% FS.
Repeatability: ±1% FS.
Size: Diameter dial face 2.5" (63.5 mm).
Process Connections: 1/4" female NPT.
Weight: 4 lb (1.81 kg).

MODEL CHART					
Model	Range	Calibration	Model	Range	Calibration
DTFF-1S-4W	0 to 4 GPH	Water	DTFF-1S-4O	0 to 4 GPH	Oil
DTFF-1S-5W	0 to 5 GPH	Water	DTFF-1S-5O	0 to 5 GPH	Oil
DTFF-1S-8W	0 to 8 GPH	Water	DTFF-1S-8O	0 to 8 GPH	Oil
DTFF-1S-10W	0 to 10 GPH	Water	DTFF-1S-10O	0 to 10 GPH	Oil
DTFF-1S-15W	0 to 15 GPH	Water	DTFF-1S-15O	0 to 15 GPH	Oil
DTFF-1S-20W	0 to 20 GPH	Water	DTFF-1S-20O	0 to 20 GPH	Oil
DTFF-1S-25W	0 to 25 GPH	Water	DTFF-1S-25O	0 to 25 GPH	Oil
DTFF-1S-40W	0 to 40 GPH	Water	DTFF-1S-40O	0 to 40 GPH	Oil
			DTFF-1S-5A	1.5 to 5 SCFM	Air

IN-LINE FLOW SENSORS

Use with the Dwyer® Differential Pressure Gages or Transmitters



Valves — Standard, brass with TFE seat and Buna-N O-ring

Nameplate — Stainless steel permanently attached with split ring. Includes complete size and model information.

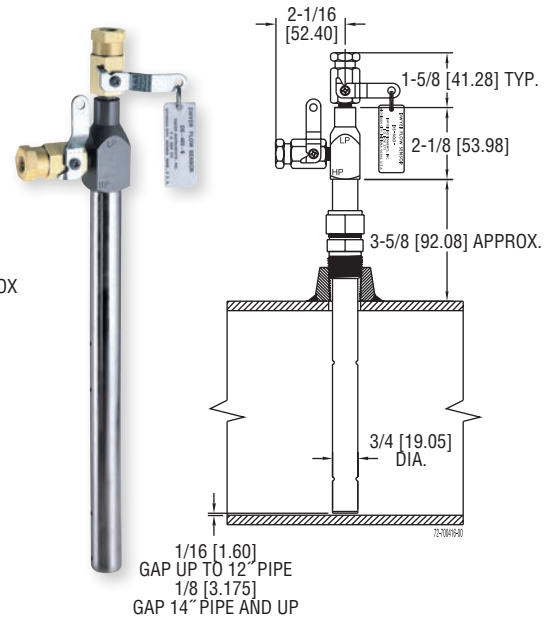
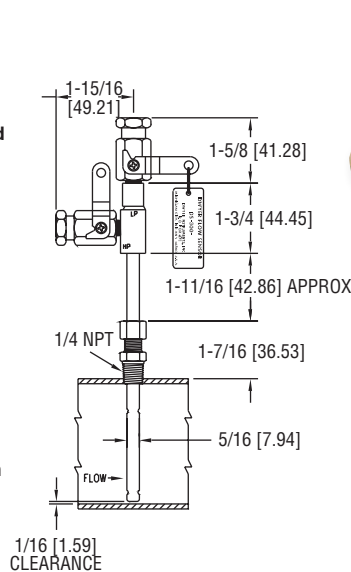
Head — Machined stainless steel.

Packing gland — Brass compression fitting.

Sensor tube — 304 SS.

Sensing ports — Multiple upstream and downstream ports sized and positioned to provide effective accurate pressure averaging, even at lower velocities.

Series DS-300



Large 3/4 Inch Diameter for Extra Strength in Lengths to 24 Inches

Series DS-400

The **SERIES DS** In-Line Flow Sensors are two Series of averaging Pitot tubes for compatible gases and liquids that provide accurate and convenient flow rate sensing, for schedule 40 pipe, when purchased with suitable differential pressure gage with appropriate range.

The Series DS-300 Averaging Flow Sensors are designed to be inserted in the pipeline through a compression fitting and available for pipe sizes from 1 to 10" (2.5 to 25.4 cm). Accessories include adapters with 1/4" SAE 45° flared ends compatible with hoses supplied with the Model A-471 Portable Capsuhelic® Gage Kit.

The Series DS-400 Averaging Flow Sensors are designed for insertion lengths up to 24" (61 cm) and include a pair of 1/8" NPT x 1/4" SAE 45° flared adapters which are compatible with hoses used in the Model A-471 Portable Capsuhelic® Gage Kit. The supplied solid brass mounting adapter has a 3/4" dia. compression fitting to lock in required insertion length and a 3/4" male NPT thread for mounting in a threaded branch connection (not included).

FEATURES/BENEFITS

- Multiple sensing point measurement and built-in averaging capability eliminates the need for "traversing" the flowing stream with single point velocity pressure measurement saving time
- Extremely reliable, proven technology, Pitot tubes, have been used in flow measurement for years
- All models include convenient and quick-acting quarter-turn ball valves to isolate the sensor for zeroing with 1/8" female NPT valve assembly process connections.
- Furnished with instrument shut-off valves on both pressure connections with 1/8" female NPT connections rated at 200 psig (13.7 bar) and 200°F (93.3°C)
- Where valves are not required, they can be omitted at reduced cost
- The Series DS-400 Averaging Flow Sensors are quality constructed from extra strong 3/4" dia. stainless steel to resist increased forces encountered at higher flow rates with both air and water
- Economical flow indication when used with appropriate differential pressure gage
- Rugged construction yields, non-clogging, stable design

APPLICATIONS

- Remediation
- Natural, flare, flue, stack gas
- Boiler feedwater
- Cooling water
- Superheated, saturated, or geothermal steam
- Combustion or compressed air
- Oil flow monitoring

IN-LINE FLOW SENSORS

Use with the Dwyer® Differential Pressure Gages or Transmitters

HOW TO ORDER

Merely determine the pipe size into which the flow sensor will be mounted and designate the size as a suffix to Model DS-300. For example, a flow sensor to be mounted in a 2" pipe would be a Model No. DS-300-2".

For non-critical water and air flow monitoring applications, the chart below can be utilized for ordering a stock Capsuhelic® differential pressure gage for use with the DS-300 flow sensor. Simply locate the maximum flow rate for the media being measured under the appropriate pipe size and read the Capsuhelic® gage range in inches of water column to the left. The DS-300 sensor is supplied with installation and operating instructions, Bulletin F-50. It also includes complete flow conversion information for the three media conditions shown in the chart below. This information enables the user to create a complete differential pressure to flow rate conversion table for the sensor and differential pressure gage employed. Both the Dwyer® Capsuhelic® gage and flow sensor feature excellent repeatability so, once the desired flow rate is determined, deviation from that flow in quantitative measure can be easily determined. You may wish to order the adjustable signal flag option for the Capsuhelic® gage to provide an easily identified reference point for the proper flow.

Capsuhelic® gages with special ranges and/or direct reading scales in appropriate flow units are available on special order for more critical applications. Customer supplied data for the full scale flow (quantity and units) is required along with the differential pressure reading at that full flow figure. Prior to ordering a special Capsuhelic® differential pressure gage for flow read-out, we recommend you request Bulletin F-50 to obtain complete data on converting flow rates of various media to the sensor differential pressure output. With this bulletin and after making a few simple calculations, the exact range gage required can easily be determined.

MODEL CHART			
Model	Description	Model	Description
DS-300-1"	1" pipe size	DS-400-6"	6" pipe size
DS-300-1-1/4"	1-1/4" pipe size	DS-400-8"	8" pipe size
DS-300-1-1/2"	1-1/2" pipe size	DS-400-10"	10" pipe size
DS-300-2"	2" pipe size	DS-400-12"	12" pipe size
DS-300-2-1/2"	2-1/2" pipe size	DS-400-14"	14" pipe size
DS-300-3"	3" pipe size	DS-400-16"	16" pipe size
DS-300-4"	4" pipe size	DS-400-18"	18" pipe size
DS-300-6"	6" pipe size	DS-400-20"	20" pipe size
DS-300-8"	8" pipe size	DS-400-24"	24" pipe size
DS-300-10"	10" pipe size		

OPTION	
To order add suffix:	Description
-LV	DS-300 or DS-400 Less Valves

RANGE CHART											
Gage Range (in w.c.)	Media @ 70°F	Full Range Flows by Pipe Size (Approximate)									
		1"	1-1/4"	1-1/2"	2"	2-1/2"	3"	4"	6"	8"	10"
2	Water (GPM)	4.8	8.3	11.5	20.5	30	49	86	205	350	560
2	Air @ 14.7 PSIA (SCFM)	19.0	33.0	42.0	65.0	113	183	330	760	1340	2130
2	Air @ 100 PSIG (SCFM)	50.0	90.5	120.0	210.0	325	510	920	2050	3600	6000
5	Water (GPM)	7.7	14.0	18.0	34.0	47	78	138	320	560	890
5	Air @ 14.7 PSIA (SCFM)	30.0	51.0	66.0	118.0	178	289	510	1200	2150	3400
5	Air @ 100 PSIG (SCFM)	83.0	142.0	190.0	340.0	610	820	1600	3300	5700	10000
10	Water (GPM)	11.0	19.0	25.5	45.5	67	110	195	450	800	1260
10	Air @ 14.7 PSIA (SCFM)	41.0	72.0	93.0	163.0	250	410	725	1690	3040	4860
10	Air @ 100 PSIG (SCFM)	120.0	205.0	275.0	470.0	740	1100	2000	4600	8100	15000
25	Water (GPM)	18.0	32.0	40.5	72.0	108	173	310	720	1250	2000
25	Air @ 14.7 PSIA (SCFM)	63.0	112.0	155.0	255.0	390	640	1130	2630	4860	7700
25	Air @ 100 PSIG (SCFM)	185.0	325.0	430.0	760.0	1200	1800	3300	7200	13000	22000
50	Water (GPM)	25.0	44.0	57.5	100.0	152	247	435	1000	1800	
50	Air @ 14.7 PSIA (SCFM)	90.0	161.0	205.0	360.0	560	900	1600	3700	6400	
50	Air @ 100 PSIG (SCFM)	260.0	460.0	620.0	1050.0	1700	2600	4600	10000	18500	
100	Water (GPM)	36.5	62.0	82.0	142.0	220	350	620	1500		
100	Air @ 14.7 PSIA (SCFM)	135.0	230.0	300.0	505.0	800	1290	2290	5000		
100	Air @ 100 PSIG (SCFM)	370.0	660.0	870.0	1500.0	2300	3600	6500	15000		

ACCESSORIES	
Model	Description
A-160	Threaded branch connection, 3/8" NPT, forged steel, 3000 psi
A-161	Brass bushing, 1/4" x 3/8"
A-471	Portable Kit. For portable operation, the A-471 Capsuhelic® Portable Gage Kit is available complete with tough polypropylene carrying case, mounting bracket, 3-way manifold valve, two 10' high pressure hoses, and all necessary fittings. ①
631B	Capsuhelic® Wet/Wet Differential Pressure Transmitter. Low pressure transmitter for use with DS-300/400 flow sensors. Use Series 631B Capsuhelic® Wet/Wet Differential Pressure Transmitter. ②



Capsuhelic® Gage Shown Installed In A-471 Portable Kit

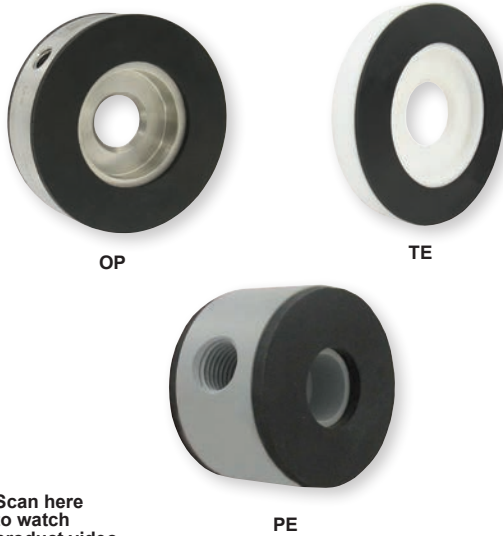


Series 631B

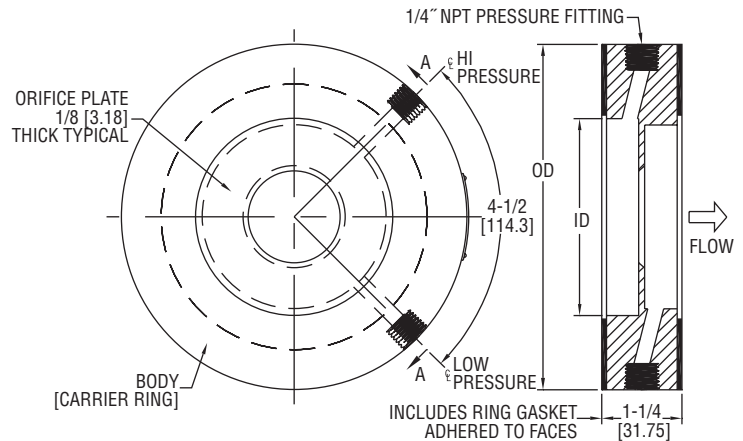
① See page 15 (Series 4000)
② See page 60 (Series 631B)

ORIFICE PLATE FLOWMETER

PVC or PTFE, Liquid and Gas use Options



Scan here
to watch
product video



The **SERIES OP** Orifice Plate Flowmeter is a complete orifice plate flow metering package. It incorporates a stainless steel orifice plate with a unique holder or carrier ring containing metering taps and integral gaskets. The Series OP is available in line sizes from 1/2" to 24" and can be used with compatible liquids and gases

FEATURES/BENEFITS

- Mounted with standard flanges with no need of specialty flanges
- Reduced installation costs with simple installation by slipping the unit between standard flanges
- Easy access with corner type metering taps
- Long operation life with corrosion free material
- Stainless steel wetted parts assures long term reliability and accuracy
- Proven through a wide range of applications for energy efficiency

APPLICATIONS

- Fluid flow rates in building water lines
- Boiler feedwater
- Cooling water
- Combustion or compressed air
- Steam flow

The **SERIES PE & TE** Orifice Plate Flowmeters are two series of plastic orifice plate flow metering packages incorporating a unique holder or carrier ring containing metering taps and integral gaskets. They can be used in place of other primary differential products for efficiency and cost effectiveness.

The Series PE orifice plate flowmeter is of PVC construction and is available in line sizes from 1/2 to 24". This series can be used for air and most gases and meets or exceeds ASME, AGA & ISO standards.

The Series TE orifice plate flowmeter is of PTFE construction and is available in line sizes from 1/2 to 24". This Series can be used with gases, liquids, corrosive and high temperature fluids.

FEATURES/BENEFITS

- Mounted with standard flanges with no need of specialty flanges
- Reduced installation costs with simple installation by slipping the unit between standard flanges
- Easy access with corner type metering taps
- Long operation life with corrosion free material
- Proven through a wide range of applications for energy efficiency
- PTFE construction yields excellent chemical and weather resistance
- TE models are flame retardant without factory gaskets
- Low friction leading to minimum wear and long operation life

APPLICATIONS

- Fluid flow rates in building water lines
- Boiler feedwater
- Cooling water
- Combustion or compressed air
- Steam flow

SPECIFICATIONS

Service: OP & TE: Compatible liquids and gases; PE: Clean air and compatible gases.

Wetted Material: OP: 304 SS, Buna-N gaskets; PE: Gray PVC, Buna-N gaskets; TE: PTFE, Buna-N gaskets.

Accuracy: 0.6% FS. (Beta = .2-.6) $\pm 0.7\%$ for Beta greater than .6.

Temperature Limits: OP: -50 to 200°F (-45 to 93°C); PE: 140°F (60°C) max; TE: -40 to 200°F (-40 to 93.3°C).

Pressure Limits: OP: Limited only by pipe and flange rating restrictions.

Head Loss: 1-Beta ratio² eg: 1-0.72 = 1-0.49 = 51% of the d.p.

Line Sizes: 1/2" to 24".

Process Connection: 1/4" female NPT.

Installation: Standard flange. OP: Any rating (orifice flanges not required); PE & TE: 125#/150# rating.

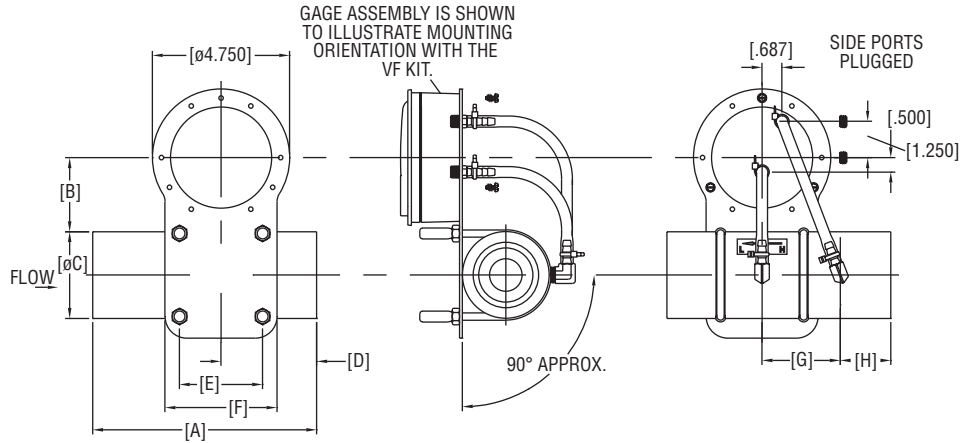
Pipe Requirements: General requirements 10 diameter upstream and 5 diameter downstream of orifice plate.

Weight: Varies with line size. See chart.



VENTURI FLOWMETER WITH MAGNEHELIC® GAGE

±2.5% Accuracy, Dual Scale in SCFM & in w.c.



VFLO Kit	Line Size	A	B	ØC	D	E	F	G	H	J	K
VF1	1" FNPT	4.500	2.687	2	2.015	2.125	3.125	1.359	1.125	4.625	6.375
VF2	1.5" FNPT	6	2.562	2.500	2.625	2.375	3.375	2	1.375	5.250	7.125
VF3	2" FNPT	7.750	2.562	3	3.312	2.875	3.875	2.703	1.750	5.750	7.875
VF4	3" FNPT	11	2.734	4	4.625	4	5.500	4	2.375	7	9.625
VF5	4" FNPT	14.500	2.734	5.000	5.172	5.000	6.500	5.328	3.000	9.250	11.500

The **VENTURI FLOWMETER WITH MAGNEHELIC® GAGE** is fabricated from aluminum and has a gradual Venturi profile to reduce pressure losses through the meter. Flexible connections enable the meter to be used in vertical or horizontal applications. The Magnehelic® gage provides a large, clear and accurate display of your differential pressure reading. Each meter is calibrated at standard atmospheric conditions. The dual scale reads in SCFM and in w.c. The meter is supplied with easy to read reference charts for various flow conditions. It is available in line sizes from 1" to 4" and can handle vacuum and pressure applications.

FEATURES/BENEFITS

- Gradual Venturi profile reduces pressure losses through meter helping to insure a more accurate measurement to meet measurement specifications.
- Easy to read gage through undistorted plastic face permits viewing from far away.
- Patented design provides quick response to pressure changes means no delay in assessing critical situations.
- Durable and rugged housing and high-quality components combined provides long-service life and minimized down-time.

APPLICATIONS

- Filter monitoring
- Air velocity with Dwyer pitot tube
- Blower vacuum monitoring
- Fan pressure indication
- Duct, room or building pressures
- Clean room positive pressure indication

Series 2000, Magnehelic® Differential Pressure Gage

To Create Venturi Model, add option from chart to end of 2000.

Example: 2000-10VF1 for 10 in w.c. & 20 SCFM of Air Scale with 1" Venturi Flow Tube

ACCESSORIES

Model	Description
MVB-LM1	Mini brass ball valve with lever handle. 1/8" F X 1/8" MNPT
MVB-TM1	Mini brass valve with tee handle. 1/8" M X 1/8" FNPT
MVB-WM1	Mini brass ball valve with wedge handle. 1/8" M X 1/8" FNPT

SPECIFICATIONS

Service: Air and non-combustible, compatible gases. (Natural gas option available).

Wetted Materials: Aluminum, silicone, acrylic, polycarbonate, high carbon steel, low carbon steel, brass, paper, acrylic paint, enamel paint, alkyd coating, nickel plate, zinc plate, hessel FC, 300 series stainless steel, PTFE, Loctite® AV sealant, commercial black rubber, neoprene, samarium cobalt, nickel alloy steel cover, beryllium copper.

Housing: Die cast aluminum case and bezel, with acrylic cover. Exterior finish is coated gray to withstand 168 hour salt spray corrosion test.

Accuracy: ±2.5% FS.

Pressure Limits: -20" Hg to 15 psig (-0.677 bar to 1.034 bar); MP option: 35 psig (2.41 bar). For applications with high cycle rate within gage total pressure rating, next higher rating is recommended.

Overpressure: Relief plug opens at approximately 25 psig (1.72 kPa).

Temperature Limits: 20 to 140°F (-6.67 to 60°C).

Size: 4" (101.6 mm) diameter dial face.

Mounting Orientation: Diaphragm in vertical position. Consult factory for other position orientations.

Process Connection: Female NPT of nominal line size. (See chart).

Weight: Gage only: 1 lb 2 oz (510 g), MP & HP 2 lb 2 oz (963 g); Venturi: see chart.

Option	Range	Line Size	Weight (Not Including Gage) lb (kg)
2000-10VF1	0 to 10 in w.c. & 0 to 20 SCFM air	1"	3 (1.36)
2000-20VF1	0 to 20 in w.c. & 0 to 30 SCFM air	1"	3 (1.36)
2000-40VF1	0 to 40 in w.c. & 0 to 40 SCFM air	1"	3 (1.36)
2000-10VF2	0 to 10 in w.c. & 0 to 50 SCFM air	1-1/2"	4.5 (2.04)
2000-20VF2	0 to 20 in w.c. & 0 to 70 SCFM air	1-1/2"	4.5 (2.04)
2000-40VF2	0 to 40 in w.c. & 0 to 100 SCFM air	1-1/2"	4.5 (2.04)
2000-10VF3	0 to 10 in w.c. & 0 to 85 SCFM air	2"	6 (2.72)
2000-20VF3	0 to 20 in w.c. & 0 to 120 SCFM air	2"	6 (2.72)
2000-40VF3	0 to 40 in w.c. & 0 to 160 SCFM air	2"	6 (2.72)
2000-10VF4	0 to 10 in w.c. & 0 to 200 SCFM air	3"	11 (4.99)
2000-20VF4	0 to 20 in w.c. & 0 to 290 SCFM air	3"	11 (4.99)
2000-40VF4	0 to 40 in w.c. & 0 to 395 SCFM air	3"	11 (4.99)
2000-10VF5	0 to 10 in w.c. & 0 to 350 SCFM air	4"	18 (8.16)
2000-20VF5	0 to 20 in w.c. & 0 to 500 SCFM air	4"	18 (8.16)
2000-40VF5	0 to 40 in w.c. & 0 to 675 SCFM air	4"	18 (8.16)

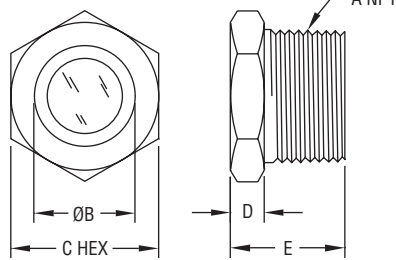
**Venturi price must be added to Series 2000 Magnehelic® gage price

SIGHT WINDOW

Shows Level or Contents of Tanks, Pipelines; Tempered, Replaceable Glass Window



REPLACEABLE WINDOW!



Model	Dimensions — Inches (mm)				
	A	B	C	D	E
SFI-500-3/4	3/4	3/4 [19]	1-3/8 [35]	45/64 [18]	1-3/8 [35]
SFI-500-1	1	15/16 [24]	1-3/8 [35]	45/64 [18]	1-3/8 [35]
SFI-500-1-1/4	1-1/4	1-1/4 [32]	2-1/8 [54]	27/32 [22]	1-9/16 [40]
SFI-500-1-1/2	1-1/2	1-27/64 [37]	2-1/8 [54]	27/32 [22]	1-9/16 [40]
SFI-500-2	2	1-1/4 [32]	2-1/2 [64]	15/32 [12]	1-21/32 [42]

The **SERIES 500** Sight Windows is a Series of standard tempered glass with brass body sight windows which display level or contents of tanks or pipelines. In addition to the standard brass body, the Series 500 Sight windows are also available in carbon steel or 316 SS.

FEATURES/BENEFITS

- Tough, tempered glass window resists chemical attack and abrasion
- Seamless, replaceable gasket assures perfect seal
- Field replaceable glass window
- Range of wetted materials to suit a wide range of chemical compatibility

APPLICATIONS

- Hydraulic tanks
- Pressure vessels
- Coolant tanks
- Hydraulic lines
- Oil reservoirs

SPECIFICATIONS

Service: Compatible gases and liquids.

Wetted Materials: Window: Tempered glass; Body: Brass, carbon steel, or 316 SS; Gasket: Buna-N on brass and carbon steel body, PTFE on 316 SS body.

Temperature Limit: 200°F (93°C).

Pressure Limit: 125 psig (8.6 bar).

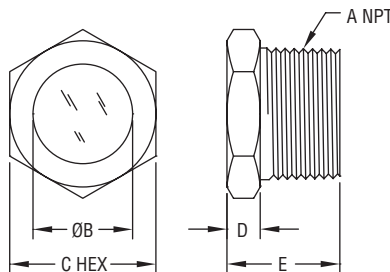
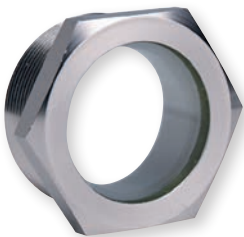
Connections: 3/4" to 2" male NPT.

MODEL CHART

316 SS Model	Brass Model	Carbon Steel Model
SFI-500SS-3/4	SFI-500B-3/4	SFI-500CS-3/4
SFI-500SS-1	SFI-500B-1	SFI-500CS-1
SFI-500SS-1-1/4	SFI-500B-1-1/4	SFI-500CS-1-1/4
SFI-500SS-1-1/2	SFI-500B-1-1/2	SFI-500CS-1-1/2
SFI-500SS-2	SFI-500B-2	SFI-500CS-2

SIGHT WINDOW

Shows Level or Contents of Tanks, Pipelines; Fused Glass and Steel Construction



Model	Dimensions — Inches (mm)				
	A	B	C	D	E
SFI-550-1/4	1/4	11/32 [8.73]	5/8 [15.95]	3/16 [4.76]	5/8 [15.95]
SFI-550-3/8	3/8	7/16 [11.11]	3/4 [19.05]	7/32 [5.56]	23/32 [18.26]
SFI-550-1/2	1/2	9/16 [14.29]	15/16 [23.81]	7/32 [5.56]	25/32 [19.84]
SFI-550-3/4	3/4	3/4 [19.05]	1-1/16 [26.99]	5/16 [7.94]	15/16 [23.81]
SFI-550-1	1	15/16 [23.81]	1-3/8 [34.93]	5/16 [7.94]	1-1/16 [26.99]
SFI-550-1-1/4	1-1/4	1-3/16 [30.18]	1-3/4 [44.45]	13/32 [10.32]	1-7/32 [30.96]
SFI-550-1-1/2	1-1/2	1-7/16 [36.53]	2 [50.80]	13/32 [10.32]	1-7/32 [30.96]
SFI-550-2	2	1-7/8 [47.63]	2-1/2 [63.50]	13/32 [10.32]	1-9/32 [32.54]

The **SERIES 550** Sight Windows is a range of glass with plated steel body sight windows which display level or contents of tanks or pipelines. Connections are standard NPT in sizes ranging from 1/4 to 2".

FEATURES/BENEFITS

- Glass to metal bond for utmost reliability
- Plated steel bodies have convenient hex wrench surfaces for easy installation
- Windows are clear, ripple free, and flush with the front face, with no recess on which dirt might collect

APPLICATIONS

- Hydraulic tanks
- Pressure vessels
- Coolant tanks
- Hydraulic lines
- Oil reservoirs

SPECIFICATIONS

Service: Compatible gases and liquids.

Wetted Materials: Window: Glass; Body: Plated steel.

Temperature Limit: 200°F (93°C).

Pressure Limit: 125 psig (8.6 bar).

Connections: 1/4" to 2" male NPT.

MODEL CHART

Model	Model
SFI-550-1/4	SFI-550-1
SFI-550-3/8	SFI-550-1-1/4
SFI-550-1/2	SFI-550-1-1/2
SFI-550-3/4	SFI-550-2



MIDWEST SIGHT FLOW INDICATORS

Inexpensive Protection for Expensive Equipment and Systems



Model 100, 100MP



Model 300, 300MP



Model 360F



Model 400



Model 700

The Series SFI Sight Flow Indicators is a Series of sight indicators which display flow or contents of pipelines. Available in window viewing style in the 100 and 300 Series and tube viewing style in the 400 and 700 Series with connection choices of female NPT, BSPP or BSPT threaded and flanged.

SERIES 100 AND 300 Sight Flow Indicators offer threaded process connections, viewing windows, and bodies of brass or 316 SS. The 100 type has a single window with a rotating impeller, the 300 type has a double window with a rotating impeller, the 350 type has a double window with no moving indicator, and the 360 type has a double window with a flapper.

SERIES 300F Sight Flow Indicators offer ANSI flange process connections, double viewing windows, and bodies of carbon steel or 316 SS. The 350F type has a double window with no moving indicator and the 360F type has a double window with a flapper.

SERIES 400 Sight Flow Indicators offer threaded or ANSI flanged process connections, tube style viewing, and bodies of cast iron or 316 SS.

SERIES 700 Sight Flow Indicators offer threaded process connections, tube style viewing, and bodies of brass or 316 SS.

FEATURES/BENEFITS

- Manufactured of quality materials and safety tested to assure long, dependable service at economical prices
- All Series 100, 300 and 300F feature a removable window for easy service and replacement of wearing parts
- The Series 400 features glass tube construction offering easy flow viewing from any angle
- Series 700 offers an easy to see bright red Acetal rotating impeller that is easy to view from any angle with the glass tube construction
- Maintenance is simple for the Series 700 with internal wipers which restore full 360° visibility by simply rotating the glass tube without disrupting the flow

APPLICATIONS

- Hydraulic tanks
- Pressure vessels
- Coolant tanks
- Hydraulic lines
- Oil reservoirs

MODEL CHART	
Model	Description
100	Single window with impeller
300	Double window with impeller
350	Double window with no indicator
360	Double window with flapper
400	Tube type with no indicator
700	Tube type with impeller and internal wipers to clean glass tube

SPECIFICATIONS

SFI-100 & SFI-300 SPECIFICATIONS
Service: Compatible gases and liquids.
Wetted Materials: Window: Tempered glass; Body: Bronze or 316 SS; Gasket: Buna-N, fluoroelastomer or PTFE; Indicator: ABS or 316 SS impeller (100 and 300), 304 SS or 316 SS flapper (360).
Temperature Limit: 200°F (93°C); 120°F (48°C) on W2 option.
Pressure Limit: 125 psig (8.62 bar), 150 psig (10.34 bar) on "MP" models.
Connections: Threaded.
Mounting Orientation: Horizontal or vertical; 360: Horizontal only.

SFI-300F SPECIFICATIONS
Service: Compatible gases and liquids.
Wetted Materials: Window: Tempered glass; Body: Carbon steel or 316 SS; Gasket: Buna-N, fluoroelastomer or PTFE; Indicator: 316 SS flapper (360).

Temperature Limit: 200°F (93°C).
Pressure Limit: 150 psig (10.34 bar).
Connections: Flanged.
Mounting Orientation: Horizontal or vertical; 360: Horizontal only.

SFI-400 SPECIFICATIONS
Service: Compatible gases and liquids.
Wetted Materials: Tube: Borosilicate; Body: Cast iron or 316 SS; Gasket: PTFE.
Temperature Limit: 200°F (93°C).
Pressure Limit: 50 psig (3.45 bar).
Connections: Threaded or flanged.

SFI-700 SPECIFICATIONS
Service: Compatible gases and liquids.
Wetted Materials: Tube: Tempered borosilicate; Body: Brass or 316 SS; Gasket: Fluoroelastomer; Indicator: Acetal.
Temperature Limit: 212°F (100°C).
Pressure Limit: 230 psig (15.86 bar).
Connections: Threaded.

DIMENSIONS AND WEIGHT

Model	Body Size	Length	Depth	Height	Flange Diameter	Viewing Area Diameter	Weight lb (kg)
100	1/4, 3/8	3.000 (76)	1.813 (46)	2.125 (54)	-	-	1.1 (0.5)
	1/2, 3/4	4.000 (102)	2.250 (57)	2.563 (65)	-	-	1.5 (0.7)
	1, 1-1/4	4.375 (111)	2.563 (65)	2.625 (67)	-	-	2.7 (1.2)
	1-1/2, 2	5.688 (144)	3.250 (83)	3.625 (83)	-	-	5.5 (2.5)
300	1/4, 3/8	3.063 (78)	2.250 (57)	2.125 (54)	-	-	1.7 (0.8)
	1/2, 3/4	4.063 (103)	2.750 (70)	2.563 (65)	-	-	2.6 (1.2)
	1, 1-1/4	4.375 (111)	3.125 (79)	2.563 (65)	-	-	3.0 (1.4)
	1-1/2, 2	5.500 (140)	3.688 (93)	4.063 (103)	-	-	7.0 (3.2)
700	1/4, 3/8	2.750 (70)	-	1.500 (38)	-	-	0.9 (0.4)
	1/2, 3/4	3.688 (94)	-	2.250 (57)	-	-	2.4 (1.1)
	1, 1-1/4, 1-1/2	4.875 (124)	-	2.750 (70) (across flats)	-	-	5.1 (2.3)
	2	6.125 (156)	-	-	-	-	-
400	1/2	4.500 (144)	-	-	3.500 (89)	1.500 (38)	3.8 (1.7)
	3/4	5.125 (130)	-	-	3.875 (98)	1.750 (44)	4.8 (2.2)
	1	5.625 (143)	-	-	4.250 (108)	2.000 (51)	6.2 (2.8)
	1-1/4	5.750 (146)	-	-	4.625 (117)	2.000 (51)	7.6 (3.5)
	1-1/2	5.875 (149)	-	-	5.000 (127)	2.500 (64)	8.7 (4.0)
	2	6.125 (156)	-	-	6.000 (152)	3.000 (76)	13 (6.0)
	3	6.250 (159)	-	-	7.500 (191)	4.000 (102)	17 (7.7)
4	6.250 (159)	-	-	9.000 (229)	5.000 (127)	25 (11.0)	
400F	1	5.000 (127)	-	-	4.250 (108)	2.000 (51)	7 (3.2)
	1-1/4	5.125 (130)	-	-	4.625 (117)	2.000 (51)	8 (3.6)
	1-1/2	5.250 (133)	-	-	5.000 (127)	2.500 (64)	12 (5.5)
	2	5.370 (137)	-	-	6.000 (152)	3.000 (76)	14 (6.4)
	3	5.750 (146)	-	-	7.500 (191)	4.000 (102)	23 (10.4)
300F	1-1/2	6.375 (162)	-	-	5.000 (127)	2.313 (58)	12 (5.5)
	2	6.500 (165)	-	-	6.000 (152)	2.313 (58)	16 (7.5)
	3	8.875 (225)	-	-	7.500 (191)	3.000 (76)	38 (17)
	4	10.250 (260)	-	-	9.000 (229)	4.000 (102)	56 (25)
	6	12.500 (318)	-	-	11.000 (279)	6.000 (152)	120 (55)

Dimensions are in inches (mm)



MIDWEST SIGHT FLOW INDICATORS

Inexpensive Protection for Expensive Equipment and Systems

MODEL CHART						
SFI-100 & SFI-300 - WINDOW STYLE WITH THREADED CONNECTIONS						
Example	SFI	-300	SS	-2	-G2	SFI-300SS-2-G2
Model Designator	SFI					Sight flow indicator
Body Style		100 300 350 360				Single window, bronze body, ABS impeller Double window, bronze body, ABS impeller Double window, bronze body, no moving indicator Double window, bronze body, 304SS flapper
Body Options			SS MP			316SS body option for 300, 350, 360 150 psig maximum pressure option, includes fluoroelastomer gaskets
Body Size				1/4 3/8 1/2 3/4 1 1-1/4 1-1/2 2		1/4 inch connection size 3/8 inch connection size 1/2 inch connection size 3/4 inch connection size 1 inch connection size 1-1/4 inch connection size 1-1/2 inch connection size 2 inch connection size
Options					W2 G1 G2 S2 S3 I1 I2 I3 F1 BSPT BSPP	Plexiglass window PTFE gasket Fluoroelastomer gasket 316SS shaft (not on 350 model) Monel shaft (not on 350 model) ABS impeller with bronze bushing (not on 350, 360) 316SS impeller (not on 350, 360) No impeller (100 only) 316SS flapper (360 only) BSPT threads BSPP threads

Note: Maximum flow on impeller models: 5 FPS with liquids, 5000 FPM with gases

MODEL CHART				
SFI-400 - TUBE STYLE WITH THREADED OR FLANGED CONNECTIONS				
Example	SFI	-400SS	-1-1/2	SFI-400SS-1-1/2
Model Designator	SFI			Sight flow indicator
Body Style		400CI 400SS 400F		Female NPT connections, cast iron body (only for 1 through 2 inch sizes) Female NPT connections, 316SS body Raised face flange connection, 316SS body (only for 1 inch and up sizes)
Body Size			1/2 3/4 1 1-1/4 1-1/2 2 3 4	1/2 inch connection size 3/4 inch connection size 1 inch connection size 1-1/4 inch connection size 1-1/2 inch connection size 2 inch connection size 3 inch connection size 4 inch connection size

Note: Best for use in vertical pipelines where there are no mechanical strains

MODEL CHART					
SFI-300F - WINDOW STYLE WITH FLANGED CONNECTIONS					
Example	SFI	-360FSS	-1-1/2	-G1	SFI-360FSS-1-1/2-G1
Model Designator	SFI				Sight flow indicator
Body Style		350FCS 350FSS 360FCS 360FSS			Carbon steel body, no moving indicator 316SS body, no moving 316SS indicator Carbon steel body, 316SS flapper 316SS body, 316SS flapper
Body Size			1-1/2 2 3 4 6		1-1/2 inch raised face flange connection size 2 inch raised face flange connection size 3 inch raised face flange connection size 4 inch raised face flange connection size 6 inch raised face flange connection size
Options				G1 G2	PTFE gasket Fluoroelastomer gasket

MODEL CHART					
SFI-700 - TUBE STYLE WITH THREADED CONNECTIONS					
Example	SFI	-700SS	-1-1/2	-BSPT	SFI-700SS-1-1/2-BSPT
Model Designator	SFI				Sight flow indicator
Body Style		700 700SS			Brass body 316SS body
Body Size			1/4 3/8 1/2 3/4 1 1-1/4 1-1/2		1/4 inch female NPT connection size 3/8 inch female NPT connection size 1/2 inch female NPT connection size 3/4 inch female NPT connection size 1 inch female NPT connection size 1-1/4 inch female NPT connection size 1-1/2 inch female NPT connection size
Options				BSPT BSPP	BSPT threads BSPP threads

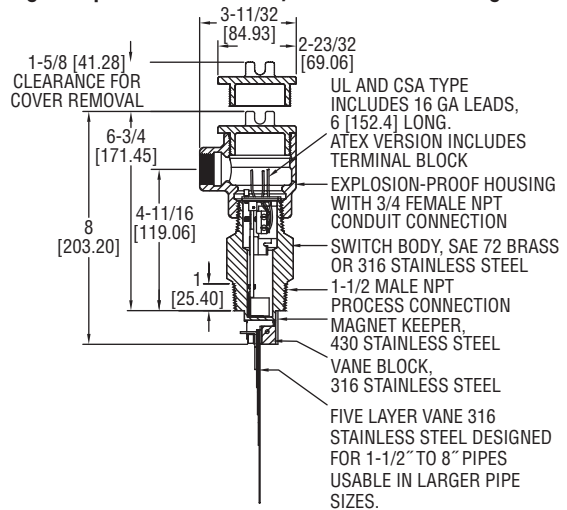


FLOTECT® VANE OPERATED FLOW SWITCH

Field Adjustable — Dependable Protection Against Flow Variation or Stopping in Pipelines for Fluids, Gases and Flowing Solids



Scan here to watch product video



The **SERIES V4** Flotect® Flow Switches is rugged and reliable, ideal for automatically protecting equipment and pipeline systems against damage from reduction or loss of flow. Time tested in thousands of pipeline installations and processing plants around the world this Series is Weatherproof, designed to meet NEMA 4 and Explosion-proof (listing included in specifications). This series can be used in pipes 1-1/2" and up.

FEATURES/BENEFITS

- Unique magnetically actuated switching design gives superior performance
- Features a free-swinging vane which attracts a magnet within the solid metal switch body, actuating a snap switch by means of a simple lever arm with no bellows, springs, or seals to fail
- Leak proof body machined from bar stock
- Electrical assembly can be easily replaced without removing the unit from installation so that the process does not have to be shut down
- Installs directly and easily into pipeline with a thredolet, tee, or flange (see application drawings)
- High pressure rating of 1000 psig (69 bar) with the brass body and 2000 psig (138 bar) with the 316 SS body
- Choice of custom vane calibrated for your application, Model V4, or field adjustable multilayer vane, Model V4-2-U (see set point chart)

APPLICATIONS

- Protects pumps, motors and other equipment against low or no flow
- Controls sequential operation of pumps
- Automatically starts auxiliary pumps and engines
- Stops liquid cooled engines, machines and processing when coolant flow is interrupted
- Shuts down burner when air flow through heating coil fails
- Controls dampers according to flow

MODEL CHART

Model	Description
V4-2-U	Brass body, universal vane
V4-SS-2-U	316SS* body, universal vane
V4-2-U-NH**	Brass body, universal vane, no housing
V4	Brass body, custom vane
V4-SS	316SS* body, custom vane
V4-NH**	Brass body, custom vane, no housing

Note: Consult factory for price and availability of fittings for V4 installation. Thredolets, bushings, and tees are available in a variety of sizes and materials.

Note: For custom vane models, please supply factory with following information: pipe size, flow direction (horizontal, up), mounting, pressure, temperature, specific gravity, flow rates (maximum normal, actuation/deactuation†), etc.

*316SS body with 430SS magnet keeper
 **No housing option (-NH) has no approvals
 †When both values are supplied, note which is critical

SPECIFICATIONS

Service: Gases or liquids compatible with wetted materials.

Wetted Materials: Vane: 316 SS; Body: Brass or 316 SS standard; Magnet Keeper: 430 SS standard, 316 SS optional; Options: Other materials also available, consult factory (e.g. PVC, Hastelloy, Nickel, Monel, Titanium).

Temperature Limit: -4 to 275°F (-20 to 135°C) standard, MT high temperature option 400°F (205°C) [MT option not UL, CSA, ATEX or IECEx] ATEX and IECEx options, ambient temperature -4 to 163°F (-20 to 73°C); Process temperature -4 to 163°F (-20 to 73°C).

Pressure Limit: Brass body 1000 psig (69 bar), 316 SS body 2000 psig (138 bar), optional 5000 psig (345 bar) available with 316 SS body and SPDT switch only.

Enclosure Rating: Weatherproof and Explosion-proof. **Listed with UL and CSA for Class I, Groups C and D; Class II, Groups E, F, and G.

ATEX 0344 II 2 G Ex d IIB T6 Gb -20°C≤Tamb≤73°C. -20°C≤Process Temp≤73°C.

EC-Type Certificate No.: KEMA 03 ATEX 2383.

ATEX Standards: EN60079-0: 2009; EN60079-1: 2007.

IECEx Certified: For Ex d IIB T6 Gb -20°C≤Tamb≤73°C. -20°C≤Process Temp≤73°C.

IECEx Certificate of Conformity: IECEx DEK 11.0071.

IECEx Standards: IEC 60079-0: 2007; IEC 60079-1: 2007.

Zone I. Also FM approved.

Switch Type: SPDT snap switch standard, DPDT snap switch optional.

Electrical Rating: UL, FM, ATEX and IECEx models 10 A @ 125/250 VAC (V~); CSA models: 5 A @ 125/250 VAC (V~); 5 A res., 3 A ind. @ 30 VDC (V---). MV option: 1 A @ 125 VAC (V~); 1 A res., .5 A ind. @ 30 VDC (V---). MT option: 5 A @ 125/250 VAC (V~). [MT and MV option not UL, CSA, FM, ATEX or IECEx].

Electrical Connections: UL and CSA models: 16 AWG, 6" (152 mm) long. ATEX and IECEx unit: Terminal block.

Conduit Connection: 3/4" female NPT.

Process Connection: 1-1/2" male NPT.

Mounting Orientation: Within 5° of vertical for proper operation. Units for horizontal installation (vertical pipe with up flow) available.

Set Point Adjustment: For universal vane: five vane combinations.

Weight: 4 lb 8 oz (1.9 kg).

Agency Approvals: ATEX, CE, CSA, FM, IECEx, UL**.

**No housing option (-NH) has no approvals

OPTIONS

To order add suffix:	Description
-D	DPDT contacts
-MV	Gold plated contacts, options for dry circuits*
-MT	High temperature, option rated 400°F (204°C)*
-TRI	Increasing flow time delay relay option with 2 SPDT contacts, adjustable from 0-1 to 0-31 minutes*
-TRD	Decreasing flow time delay relay option with 2 SPDT contacts, adjustable from 0-1 to 0-31 minutes*
-316	316 SS magnet keeper, option to replace standard 430 SS
-V	Vertical up flow, option for upward flow in vertical pipe
-AT	ATEX compliant construction
-IEC	IECEx certified construction

*See electrical rating in specification, no listings or approvals

FLOTECT® VANE OPERATED FLOW SWITCH

Field Adjustable — Dependable Protection Against Flow Variation or Stopping in Pipelines for Fluids, Gases and Flowing Solids

V4 UNIVERSAL VANE FLOW CHARTS

Values shown in both charts are nominal. If normal flows exceed actuation rates by less than 10%, custom vanes are recommended. Figures are based on standard vertical installation in a 1-1/2" threaded branch connection in a horizontal run of pipe.

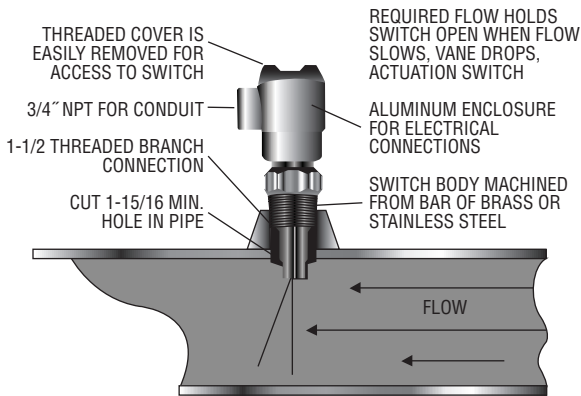
APPROXIMATE ACTUATION/DEACTUATION FLOW RATES FOR COLD WATER; GPM (LPM)												
Vane Layers	1.5" Pipe	2" Pipe	3" Pipe	4" Pipe	6" Pipe	8" Pipe	10" Pipe	12" Pipe	14" Pipe	16" Pipe	18" Pipe	20" Pipe
1	7-3 (26.67-11.67)	15-8 (56.7-30)	45-22 (167-83.3)	95-40 (367-150)	210-120 (800-450)	375-175 (1417-667)	600-300 (2267-1133)	900-450 (3400-1700)	1200-600 (4550-2267)	1400-800 (5300-3033)	2000-1000 (7567-3783)	2400-1200 (9083-4550)
1&2		7-4 (26.7-15)	23-14 (86.7-53.3)	50-35 (190-132)	130-90 (500-333)	230-150 (867-567)	450-250 (1700-950)	650-350 (2467-1317)	900-500 (3400-1900)	1200-650 (4550-2467)	1450-800 (5483-3033)	1800-1000 (6817-3783)
1,2,&3			11-7 (41.7-26.7)	27-19 (102-71.7)	80-60 (300-233)	160-115 (600-433)	300-180 (1133-683)	450-275 (1700-1033)	600-350 (2267-1317)	750-450 (2750-2083)	1000-600 (3783-2267)	1200-700 (4550-2650)
1,2,3,&4				17-12 (65-45)	60-45 (233-167)	120-90 (450-333)	230-150 (867-567)	310-200 (1167-750)	430-280 (1633-1067)	550-360 (2083-1367)	700-450 (2650-1700)	850-550 (3217-2083)
1,2,3,4,&5					40-30 (152-113)	80-65 (300-250)	135-100 (517-383)	200-140 (750-533)	290-200 (1100-750)	360-250 (1367-950)	460-325 (1733-1233)	575-400 (2183-1517)

Actuation rates are based on cold water at a specific gravity of 1.0. For fluids of different specific gravity, actuation rates may be approximated by dividing the rate shown by the square root of the specific gravity.

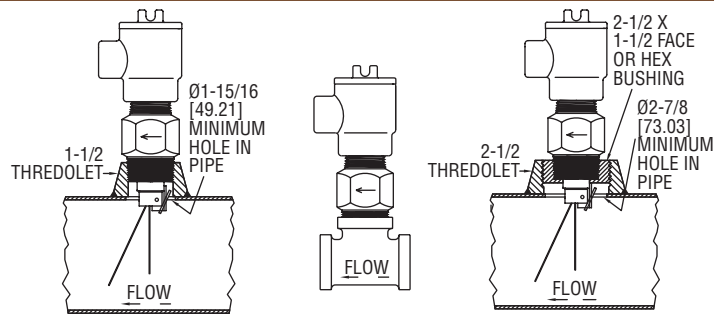
APPROXIMATE ACTUATION/DEACTUATION FLOW RATES FOR COLD AIR; SCFM (LPS)												
Vane Layers	1.5" Pipe	2" Pipe	3" Pipe	4" Pipe	6" Pipe	8" Pipe	10" Pipe	12" Pipe	14" Pipe	16" Pipe	18" Pipe	20" Pipe
1	32-17 (15-8)	65-32 (30-20)	210-105 (100-50)	400-200 (190-90)	950-475 (450-220)	1550-850 (730-400)	2400-1300 (1100-600)	3450-1900 (1600-900)	4700-2600 (2200-1200)	6400-3500 (3000-1700)	8000-4400 (3800-2100)	10000-5500 (4700-2600)
1&2		23-13 (10-6)	120-70 (60-30)	195-140 (90-70)	550-375 (260-180)	1100-700 (520-330)	1850-1200 (870-570)	2700-1750 (1300-800)	3400-2200 (1600-1000)	4800-3100 (2300-1500)	6000-3900 (2800-1800)	7400-4800 (3500-2300)
1,2,&3			60-48 (30-20)	135-100 (60-50)	375-265 (180-130)	725-500 (340-240)	1200-850 (570-400)	1850-1300 (870-610)	2600-1800 (1200-800)	3350-2350 (1600-1100)	4300-3000 (2000-1400)	5300-3700 (2500-1700)
1,2,3,&4				65-50 (30-20)	260-200 (120-90)	500-400 (240-190)	875-700 (410-330)	1250-1000 (590-470)	1900-1500 (900-710)	2500-2000 (1200-900)	3100-2500 (1500-1200)	3900-3100 (1800-1500)
1,2,3,4,&5					130-100 (60-50)	310-250 (150-120)	650-525 (310-250)	1000-800 (470-380)	1600-1250 (760-590)	2200-1750 (1040-830)	2800-2250 (1300-1100)	3550-2850 (1700-1300)

Actuation rates are based on air at standard conditions. For gases at other pressures, temperatures, or specific gravities, consult factory for equivalent flow approximations.

APPLICATION DRAWINGS FOR FLOTECT® AUTOMATIC FLOW SWITCHES



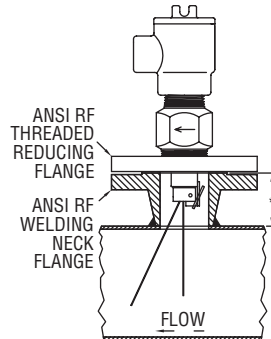
Threaded Branch Connection Installation.
May also be installed using tee, flange or coupling.



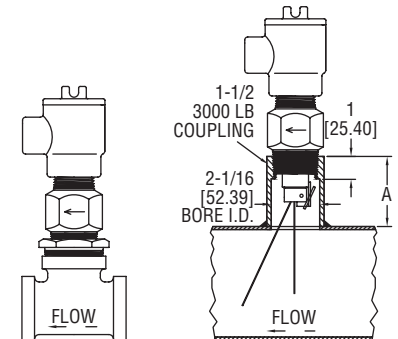
Standard Installation

1-1/2" x 1-1/2" x 1-1/2" Tee Installation

2-1/2" Threaded Branch Connection



Flange Installation
*Flange face to pipe O.D. specified by customer. Normally should not exceed 5" (127)



2" x 2" x 2" Tee Installation

Not recommended, unless coupling is bored out to 2-1/16" (52.4) as shown

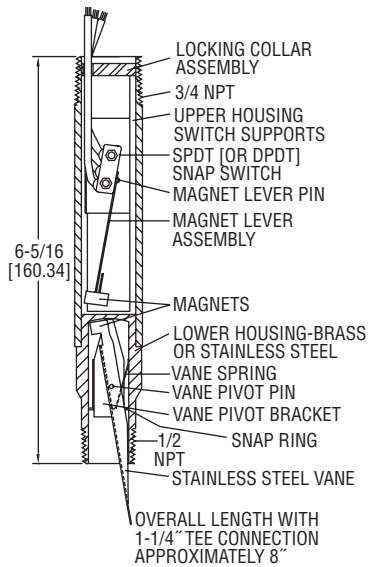
Pipe Size	Dim. A
2"	2-5/8 (66.7)
3"	2-1/2 (63.5)
4"	2-7/16 (61.9)

FLOTECT® MINI-SIZE FLOW SWITCHES

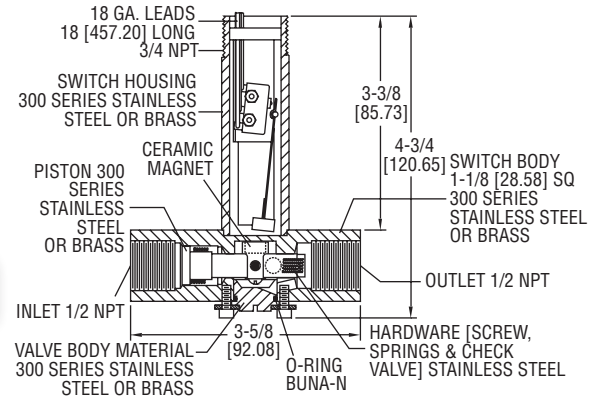
Monitor Flow in 1/2" to 2" Pipe, Explosion-Proof



V6 with Tee



V6 Low Flow



Scan here to watch product video

The **SERIES V6** Flotec® Flow Switches is surprisingly compact, and specifically engineered to monitor liquid, gas, or air flows. Time tested in thousands of pipeline installations and processing plants around the world, this Series is Weatherproof, designed to meet NEMA 4 and Explosion-proof (listing included in specifications). Tees are available for installation in pipelines from 1/2" to 2". With bushings added the unit is easily adapted to 1/4" and 3/8" piping.

FEATURES/BENEFITS

- Unique magnetically actuated switching design gives superior performance
- Features a free-swinging vane which attracts a magnet within the solid metal switch body, actuating a snap switch by means of a simple lever arm with no bellows, springs, or seals to fail
- Leak proof body machined from bar stock
- Electrical assembly can be easily replaced without removing the unit from installation so that the process does not have to be shut down
- Choice of models in a tee with calibrated vane or field adjustable trimmable vane
- Easy installation with simple pipe insert via tee and simple electrical switch connections
- High pressure rating of 1000 psig (69 bar) with the brass body and 2000 psig (138 bar) with the 316 SS body
- Low flow model offers field adjustable set point

APPLICATIONS

- Protects pumps, motors and other equipment against low or no flow
- Controls sequential operation of pumps
- Automatically starts auxiliary pumps and engines
- Stops liquid cooled engines, machines and processing when coolant flow is interrupted
- Shuts down burner when air flow through heating coil fails
- Controls dampers according to flow
- Signals alarm when emergency shower or eyewash station in use

SPECIFICATIONS

Service: Gases or liquids compatible with wetted materials.

Wetted Materials: Standard V6 Models: Vane: 301 SS; Lower Body: brass or 303 SS; Magnet: Ceramic; Other: 301, 302 SS; Tee: Brass, iron, forged steel, or 304 SS. V6 Low Flow Models: Lower body: Brass or 303 SS; Tee: Brass or 304 SS; Magnet: Ceramic; O-ring: Buna-N standard, Fluoroelastomer optional; Other: 301, 302 SS.

Temperature Limits: -4 to 220°F (-20 to 105°C) Standard, MT high temperature option 400°F (205°C) (MT not UL, CSA, ATEX, IECEx or KC) ATEX Compliant AT, IECEx IEC Option and KC (KC Option), Ambient Temperature -4 to 167°F (-20 to 75°C) Process Temperature: -4 to 220°F (-20 to 105°C).

Pressure Limit: Brass lower body with no tee models 1000 psig (69 bar), 303 SS lower body with no tee models 2000 psig (138 bar). Brass tee models 250 psi (17.2 bar), iron tee models 1000 psi (69 bar), forged and stainless steel tee models 2000 psi (138 bar), low flow models 1450 psi (100 bar).

Enclosure Rating: Weatherproof and Explosion-proof. Listed with UL and CSA for Class I, Groups A, B, C and D; Class II, Groups E, F, and G. (Group A on stainless steel body models only).

ATEX **CE** 0344 **Ex** II 2 G Ex d IIC T6 Gb Process Temp ≤75°C Alternate Temperature Class T5 Process Temp ≤90°C, 115°C (T4) Process Temp ≤105°C consult factory. EC-type Certificate No.: KEMA 04ATEX2128.

ATEX Standards: EN 60079-0: 2009; EN 60079-1: 2007.

IECEx Certified: For Ex d IIC T6 Gb Process Temps 75°C Alternate Temperature Class T5 Process Temp ≤90°C, 115°C (T4) Process Temps 105°C consult factory. IECEx Certificate of Conformity: IECEx DEK 11.0039;

IECEx Standards: IEC 60079-0: 2007; IEC 60079-1: 2007;

Korean Certified (KC) for: Ex d IIC T6 Gb Process Temp ≤75°C;

KTL Certificate Number: 2012-2454-75.

Switch Type: SPDT snap switch standard, DPDT snap switch optional.

Electrical Rating: UL models: 5 A @ 125/250 VAC. CSA, ATEX and IECEx models: 5 A @ 125/250 VAC (V~); 5 A res., 3 A ind. @ 30 VDC (V---). MV option: .1 A @ 125 VAC (V-). MT option: 5 A @ 125/250 VAC (V-). [MT option not UL, CSA, ATEX or IECEx].

Electrical Connections: UL models: 18 AWG, 18" (460 mm) long. ATEX/CSA / IECEx models: terminal block.

Upper Body: Brass or 303 stainless steel.

Conduit Connections: 3/4" male NPT standard, 3/4" female NPT on junction box models.

Process Connection: 1/2" male NPT on models without a tee.

Mounting Orientation: Switch can be installed in any position but the actuation/deactuation flow rates in the charts are based on horizontal pipe runs and are nominal values.

Set Point Adjustment: Standard V6 models none. Without tee models vane is trimmable. Low flow models are field adjustable in the range shown. See set point charts.

Weight: 2 to 6 lb (.9 to 2.7 kg) depending on construction.

Options not Shown: Custom calibration, bushings, PVC tee, reinforced vane, DPDT relays.

Agency Approvals: ATEX, CE, CSA, IECEx, KTL, UL.

● Set Point Charts: See page 159 (Series V6)

FLOTECT® MINI-SIZE FLOW SWITCHES

Monitor Flow in 1/2" to 2" Pipe, Explosion-Proof

MODEL CHART								
Example	V6	EP	B-B	-S	-2	-B	-MT	V6EPB-B-S-2-B-MT
Series	V6							Flow switch
Construction		EP						Explosion proof
Body			B-B S-S					Brass SS
Circuit (Switch)				S D				SPDT DPDT
Tee Connection Size					1 2 3 4 5 6 LF			1/2" NPT 3/4" NPT 1" NPT 1-1/4" NPT 1-1/2" NPT 2" NPT Low flow model (1/2" NPT connections)
Tee Material						MI FS B S 0		Iron Forged steel Brass SS No tee, field trimmable vane** (For LF model no tee material chosen, tee material matches body choice)
Options						CSA AT IEC MV MT VIT		CSA approved construction with junction box* ATEX compliant construction with junction box IECEX certified construction with junction box Gold contacts on snap switch for dry circuits (see specifications for ratings) High temperature option rated 400°F (205°C) (see specifications for ratings)* Fluoroelastomer O-rings in place of Buna-N on low flow models

*Options that do not have ATEX.
**Vane will be trimmed to the connection size. If full field trimmable vane is desired, must select with tee connection size 6.

MODEL CHART			
Model	Size	Body	Tee
V6EPB-B-S-1-B	1/2"	Brass	Brass
V6EPB-B-S-2-B	3/4"	Brass	Brass
V6EPB-B-S-3-B	1"	Brass	Brass
V6EPB-B-S-4-B	1-1/4"	Brass	Brass
V6EPB-B-S-5-B	1-1/2"	Brass	Brass
V6EPB-B-S-6-B	2"	Brass	Brass
V6EPB-B-S-1-MI	1/2"	Brass	Iron
V6EPB-B-S-2-MI	3/4"	Brass	Iron
V6EPB-B-S-3-MI	1"	Brass	Iron
V6EPB-B-S-4-MI	1-1/4"	Brass	Iron
V6EPB-B-S-5-MI	1-1/2"	Brass	Iron
V6EPB-B-S-6-MI	2"	Brass	Iron
V6EPS-S-S-1-FS	1/2"	SS	FS
V6EPS-S-S-2-FS	3/4"	SS	FS
V6EPS-S-S-3-FS	1"	SS	FS
V6EPS-S-S-4-FS	1-1/4"	SS	FS
V6EPS-S-S-5-FS	1-1/2"	SS	FS
V6EPS-S-S-6-FS	2"	SS	FS
V6EPS-S-S-1-S	1/2"	SS	SS
V6EPS-S-S-2-S	3/4"	SS	SS
V6EPS-S-S-3-S	1"	SS	SS
V6EPS-S-S-4-S	1-1/4"	SS	SS
V6EPS-S-S-5-S	1-1/2"	SS	SS
V6EPS-S-S-6-S	2"	SS	SS
V6EPB-B-S-6-0	No tee	Brass	None
V6EPS-S-S-6-0	No tee	SS	None
V6EPB-B-S-LF	1/2"	Brass	LF, brass
V6EPS-S-S-LF	1/2"	SS	LF, SS

V6 SET POINT CHARTS - FACTORY INSTALLED TEE

APPROXIMATE ACTUATION/DEACTUATION FLOW RATES FOR AIR; SCFM (LPM)		
Pipe Size	Actuate	Deactuate
1/2"	6.50 (180)	5.00 (120)
3/4"	10.0 (300)	8.00 (240)
1"	14.0 (420)	12.0 (360)
1-1/4"	21.0 (600)	18.0 (540)
1-1/2"	33.0 (960)	30.0 (840)
2"	43.0 (1200)	36.0 (1020)

APPROXIMATE ACTUATION/DEACTUATION FLOW RATES FOR COLD WATER; GPM (LPM)		
Pipe Size	Actuate	Deactuate
1/2"	1.50 (5.667)	1.00 (3.83)
3/4"	2.00 (7.5)	1.25 (4.67)
1"	3.00 (11.33)	1.75 (6.67)
1-1/4"	4.00 (15.17)	3.00 (11.3)
1-1/2"	6.00 (22.67)	5.00 (18.9)
2"	10.00 (37.83)	8.50 (32.2)

V6 LOW FLOW SET POINT CHART

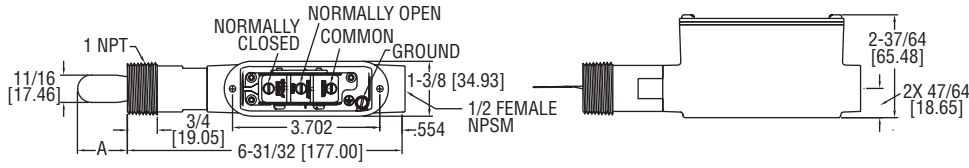
MIN-MAX FLOW RATES IN 1/2" PIPE		
Media	Actuate	Deactuate
GPM-water	.04-0.75	.03-0.60
LPM-water	.15-2.84	.11-2.27
SCFM-air	.18-2.70	.15-2.0
LPS-air	.09-1.3	.07-.95

Pressure drop (head loss) is a function of both set point and flow rate. Typically, pressure drop at actuation flow rate listed will be 5-10 psid (.34-.69 bar). Pressure drops at other flow rates will vary in proportion to the (change in flow).



FLOTECT® VANE OPERATED FLOW SWITCH

Magnetic Linkage



Pipe Size	Dim. A
1	1-17/64 [32.15]
1-1/4	1-19/32 [40.48]
1-1/2	1-53/64 [46.43]
2	2-11/64 [55.17]
3	2-11/64 [55.17]
4	2-11/64 [55.17]

The **SERIES V7** Flotect® Flow Switch is an inexpensive range switch for use with compatible liquids to start or stop electronic operated equipment when flow or no-flow conditions occur. Design is standard weatherproof, meeting NEMA 4X.

FEATURES/BENEFITS

- Magnetically actuated switching design gives superior performance
- Features a free-swinging vane which attracts a magnet within the solid metal switch body, actuating a snap switch by means of a simple lever arm with no bellows, springs, or seals to fail
- Lower body is machined solid metal bar stock assuring no leak points, no matter how long the unit is in service
- Robust vane design is rigid and field trimmable for set point adjustment

APPLICATIONS

- Proof of boiler flow
- Shuts down burner when air flow through heating coil fails
- Protects pumps, motors and other equipment against low or no flow
- Stops liquid cooled engines, machines and processing when coolant flow is interrupted

APPROXIMATE ACTUATION/DEACTUATION FLOW RATES FOR COLD WATER; GPM (LPM)		
Pipe Size	Actuate	Deactuate
1"	7.5 (28.4)	6.8 (25.7)
1-1/4"	8.1 (30.8)	7.6 (28.9)
1-1/2"	11.7 (44.1)	10.9 (41.3)
2"	16.9 (64.0)	15.6 (59.1)
2-1/2"	19.6 (74.2)	18.1 (68.5)
3"	31.6 (120)	29.6 (112)
4"	58.0 (218)	52.0 (197)

Contact the factory for different actuation-deactuation rates.

SPECIFICATIONS

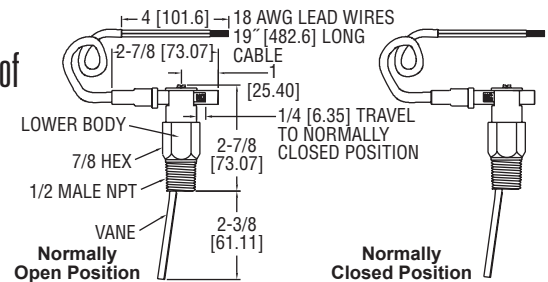
Service: Liquids compatible with wetted materials that are non-coating and non-crystallizing.
Wetted Materials: Vane: 301 SS; Process connection: Brass or 316 SS; Magnet: Ceramic; Other: 301, 302 SS.
Upper Body Material: Die cast aluminum.
Temperature Limits: -40 to 250°F (-40 to 121°C).
Pressure Limits: 250 psi (17.2 bar).
Enclosure Rating: Weatherproof, meets NEMA 4X (IP66).
Switch Type: SPDT snap switch.
Electrical Rating: 10 A @ 125, 250, 480 VAC; 1/8 hp @ 125 VAC, 1/4 hp @ 250 VAC.
Electrical Connections: 3 screw type, common, normally open and normally closed.
Conduit Connection: 1/2" NPSM.
Process Connection: 1" male NPT. Contact factory for optional tees.
Pipe Size: 1" to 4".
Mounting Orientation: Horizontal or vertical (actuation flow rates are based on horizontal pipe runs in the vertical position). Will not work in vertical pipe with down flow.
Set Point Adjustment: Vane is trimmable, see set point chart.
Weight: 1 lb 2 oz (500 g).
Agency Approvals: CE, UL.

MODEL CHART

Model	Body Material
V7-WBS-30N	Brass
V7-WSS-30N	316 SS

FLOTECT® MINI-SIZE FLOW SWITCH

Proof of Flow or No Flow in 1/2" to 2" Pipe, Low Cost, Leak Proof Body, Weatherproof



The **SERIES V10** Flotect® Mini-Size Flow Switches is designed to provide inexpensive, reliable monitoring of the presence or absence of flow in a system. This series is available for field installation in pipelines from 1/2" to 2" diameter and available in brass or 303 SS body.

FEATURES/BENEFITS

- Magnetically actuated switching design gives superior performance with rugged, hermetically sealed reed switch
- Simple field switch adjustment allows user to toggle between Normally Open (NO) or Normally Closed (NC) with no change in the electrical connection
- Switch housing is located outside the process media, allowing simple switch change-over or maintenance without interruption of process flow
- Full size, field trimmable stainless steel vane provided with removable template calibrated for brass or ductile iron reducing tees with forged steel straight tee/bushing combinations

APPLICATIONS

- Proving flow in boilers, hot water heaters, and chillers
- Protects pumps, motors and other equipment against low or no flow
- Automatically starts auxiliary pumps and engines

APPROXIMATE ACTUATION/DEACTUATION FLOW RATES FOR COLD WATER; GPM (LPM)				APPROXIMATE ACTUATION/DEACTUATION FLOW RATES FOR AIR; SCFM (LPM)			
Pipe Size	Trim	N.O.	N.C.	Pipe Size	Trim	N.O.	N.C.
1/2"	L	2.6/2.3 (9.8/8.7)	2.6/2.5 (9.8/9.5)	1/2"	L	10.3/8.8 (291.7/250)	10.2/9.2 (288/260)
3/4"	J	3.1/2.7 (11.7/10.2)	3.1/2.8 (11.7/10.6)	3/4"	J	13/11.6 (368.3/328)	12.9/11.6 (365/328)
1"	H	4.8/4.5 (18.2/17)	4.8/4.4 (18.2/16.7)	1"	H	19.2/17.6 (543.3/498)	18.9/17.6 (535/498)
1-1/4"	E	6.2/5.6 (23.5/21.2)	6.1/5.6 (23.1/21.2)	1-1/4"	E	24.8/22.2 (701.7/628)	24.5/22.5 (693/637)
1-1/2"	C	8.2/7.7 (31/29.1)	8.2/7.7 (31/29.1)	1-1/2"	C	33.4/31.2 (946.7/883)	33/30.6 (935/867)
2"	Full	9.5/9.1 (36/34.4)	9.5/9 (36/34.1)	2"	Full	50.2/48.4 (1422/1370)	50.2/47.7 (1422/1352)

SPECIFICATIONS

Service: Compatible gases or liquids.
Wetted Materials: Vane: 301 SS; Body: Brass or 303 SS; Pin and Magnet: Ceramic 8.
Temperature Limit: 200°F (93°C).
Pressure Limit: Brass body: 1000 psig (69 bar); 303 SS body: 2000 psig (138 bar).
Enclosure Rating: Weatherproof, meets NEMA 4X (IP66).
Switch Type: SPST hermetically sealed reed switch. Field adjustable for normally open or normally closed.
Electrical Rating: 0.5 A @ 120 VAC; 1.5 A @ 24 VDC res.; 0.001 A @ 200 VDC res.
Electrical Connections: 18 AWG, 19" (483 mm) long, PVC jacket. Rated 221°F (105°C).
Process Connection: 1/2" male NPT standard. Contact factory for other options.
Mounting Orientation: Switch can be installed in any position but the actuation/deactuation flow rates are based on horizontal pipe runs and are nominal values.
Set Point Adjustment: Vane is trimmable.
Weight: 5.5 oz (0.16 kg).
Agency Approvals: CE, CSA, UR.
Switch Enclosure: Nylon.

MODEL CHART

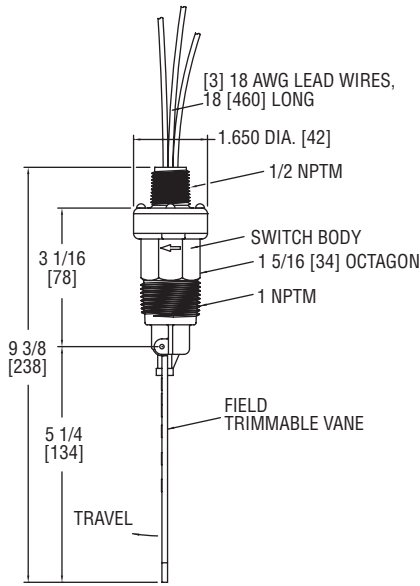
Model	Body Material	Switch Configuration
V10	Brass	Normally open or closed
V10SS	303SS	Normally open or closed

FLOTECT® VANE OPERATED FLOW SWITCH

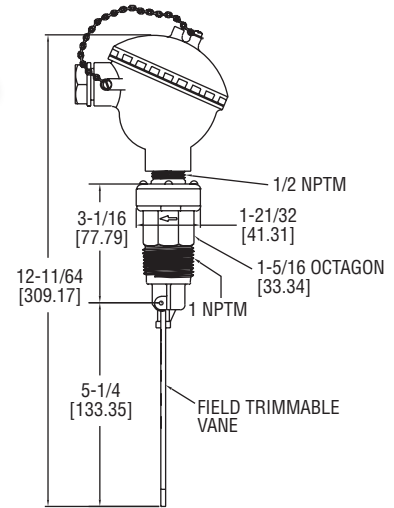
Field Adjustable — 1 to 6 Inch Pipe, Leak Proof Body



V8



V8-WP2



Scan here to watch product video

The **SERIES V8** Flotect® Vane Operated Flow Switches is ideal for protecting unattended equipment from damage or loss of production. This Series is available for installation in a 1 to 6" pipe with operating pressures up to 150 psig (10 bar) and temperatures to 212°F (100°C).

FEATURES/BENEFITS

- UL recognized as an industrial motor controller per UL standard 508, suitable for mounting in a protected environment
- Magnetically actuated switching design gives superior performance with free-swinging vane which attracts a magnet within the switch body, actuating a snap switch with no bellows, springs, or seals to fail
- Leak proof body and vane constructed of tough durable polyphenylene sulfide which has excellent chemical resistance.
- A full size trimmable vane is provided with molded-in graduations

APPLICATIONS

- Chemical processing
- Air conditioning
- Refrigeration
- Heating systems
- Cooling lines
- Machinery
- Liquid transfer systems
- Water treatment
- Food processing
- Machine tools

APPROXIMATE ACTUATION/DEACTUATION FLOW RATES FOR COLD WATER; GPM (LPM)	
Pipe Size	Actuate/Deactuate
1"	10.8/9.1 (40.9/34.6)
1-1/4"	9.8/8.3 (37.2/31.4)
1-1/2"	8.6/6.8 (32.4/25.7)
2"	10.9/8.8 (41.2/33.4)
3"	12.9/8.9 (48.8/33.5)
4"	21.1/13.8 (79.7/52.2)
6"	45/33 (170.2/124.7)

APPROXIMATE ACTUATION/DEACTUATION FLOW RATES FOR AIR; SCFM (LPM)	
Pipe Size	Actuate/Deactuate
1"	39/32.6 (1105/923)
1-1/4"	37.5/32.2 (1062/912)
1-1/2"	33.4/26.7 (945/757)
2"	43/36.8 (1218/1042)
3"	52.7/38.9 (1493/1100)
4"	87.6/63.6 (2482/1802)
6"	168.6/137.4 (4775/3890)

SPECIFICATIONS

Service: Compatible gases or liquids.
Wetted Materials: Vane and body: Polyphenylene Sulfide (PPS); Pin and spring: 316 SS or Inconel®; Magnet: Ceramic 8.
Temperature Limit: 212°F (100°C).
Pressure Limit: 150 psig (10.34 bar).
Enclosure Rating: General purpose, WP/WP2 option is weatherproof.
Switch Type: SPDT snap switch, MV option: SPDT gold contact snap switch.
Electrical Rating: 5 A @ 125/250 VAC, 5 A resistive, 3 A inductive @ 30 VDC; MV option: 1 A @ 125 VAC, 1 A resistive, 0.5 A inductive @ 30 VDC.
Electrical Connections: 18 AWG, 18" (460 mm) long.
Conduit Connection: 1/2" male NPT, 1/2" female NPT on WP and WP2.
Process Connection: 1" male NPT.
Mounting Orientation: Actuation/deactuation flow rates are based on horizontal pipe runs and are nominal values. Unit cannot be used with vertical down flow.
Set Point Adjustment: Vane is trimmable.
Weight: 4.5 oz (0.13 kg).
Agency Approvals: CE, cURus.

MODEL CHART

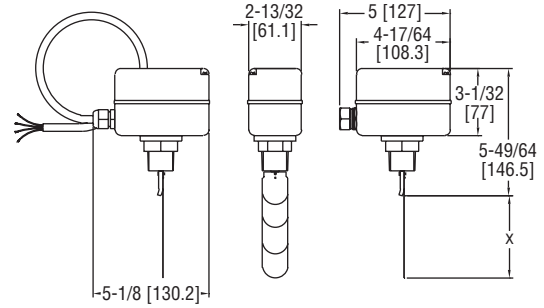
Model	Description
V8	Flow switch

OPTIONS

To order add suffix:	Description
-MV	Gold plated contacts, for dry circuits; rated 1A @ 125 VAC; 1A resistive, 0.5A inductive @ 30 VDC
Example: V8-MV	
-INC	Inconel® alloy option; Inconel® alloy replaces standard 316 SS wetted parts; wetted parts are Inconel® alloy, ceramic 8, and polyphenylene sulfide
Example: V8-INC	
-WP	Weatherproof enclosure; optional housing is phenylpolioxide and provides weatherproof protection for electrical wiring; not UL approved
Example: V8-WP	
-WP2	Optional housing is aluminum and provides weatherproof protection for electrical wiring; not UL approved
Example: V8-WP2	

VANE FLOW SWITCH

Low Cost, Field Adjustable Set Point and Paddle



Shown with conduit connection option

The **SERIES FS-2** Vane Flow Switches offers an economical flow proving solution. The FS-2 paddles are adjustable to fit 1 to 8" size pipe.

FEATURES/BENEFITS

- Field adjustable set point adjustment screw allows for easy flow switch modification
- Custom application set points enabled by field adjustable vane layers
- Aluminum weatherproof housing permits outdoor installation

APPLICATIONS

- Boiler flow proving
- Hot water heaters
- Chillers
- Cooling lines
- Machinery
- Liquid transfer systems

APPROXIMATE ACTUATION/DEACTUATION FLOW RATES FOR WATER; GPM (LPM)

Pipe Size	Blade Vane Length in (mm) Dim. X	Minimum Setting		Maximum Setting	
		Actuate	Deactuate	Actuate	Deactuate
1"	1.34 (34)	4.0 (15.0)	1.8 (6.7)	8.8 (33.3)	6.6 (25.0)
1-1/4"	1.34 (34)	5.3 (20.0)	2.6 (10.0)	11.4 (43.3)	8.4 (31.7)
1-1/2"	2.24 (57)	7.0 (26.7)	4.0 (15.0)	14.5 (55.0)	11.4 (43.3)
2"	2.24 (57)	14.1 (53.3)	9.7 (36.7)	31.3 (118.3)	22.5 (85.0)
2-1/2"	3.46 (88)	18.5 (70.0)	15.4 (58.3)	35.2 (133.3)	30.8 (116.7)
3"	3.46 (88)	27.7 (105.0)	25.1 (95.0)	52.8 (200.0)	46.2 (175.0)
4"	3.46 (88)	59.4 (225.0)	52.8 (200.0)	123.3 (466.7)	114.5 (433.3)
5"	6.57 (167)	52.8 (200.0)	39.6 (150.0)	132.1 (500.0)	123.3 (466.7)
6"	6.57 (167)	75.7 (286.7)	52.8 (200.0)	154.1 (583.3)	140.9 (533.3)
8"	6.57 (167)	184.9 (700.0)	158.5 (600.0)	396.3 (1500.0)	374.2 (1416.7)

SPECIFICATIONS

Service: Compatible liquids.
Wetted Materials: Bellow: Tin-bronze; Vane: SS; Body: Forged brass.
Temperature Limit: 230°F (110°C).
Pressure Limit: 145 psig (10 bar).
Enclosure Rating: NEMA 4 (IP64).
Switch Type: SPDT snap switch.
Electrical Rating: 10 A res, 3 A ind @ 250 VAC.
Electrical Connection: Cable gland with attached wire leads or optional conduit connection.

Process Connection: 1" male NPT or BSPT.
Mounting Orientation: Switch must be installed vertically on horizontal pipe runs.
Set Point Adjustment: Four vane combinations and an adjustment screw.
Enclosure: Die-cast aluminum alloy.
Weight: 28.22 oz (0.8 kg).
Agency Approvals: CE.

MODEL CHART

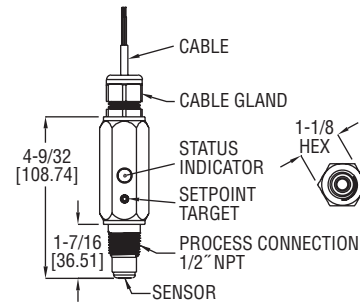
Model	Description
FS-2	Paddle flow switch

OPTIONS

To order add suffix:	Description
-BSPT	Process connection
Example: FS-2-BSPT	
-CND	Conduit connection, 1" NPT female conduit connection with no wire leads.
Example: FS-2-CND	

THERMAL DISPERSION FLOW SWITCH

Non-Mechanical, Low Pressure Drop



Scan here to watch product video

The **SERIES TDFS** Thermal Flow Switch uses impulse thermal dispersion measurement technique to indicate whether the flow rate is above or below a user set flow rate. It provides NO and NC NPN outputs and two LED, one green and one red for high and low set point indication.

FEATURES/BENEFITS

- Better long term reliability and life expectancy than mechanical flow switches with no paddles or vanes to wear or break, no jams in the paddle movement, and no seals on movement assembly to wear or leak
- Not affected by empty pipe detection and avoids overheating by actively heating above the process temperature and then cooling down to process temperature
- Set point is easily field set by taping the included magnet on the set point target three times at the desired flow rate
- LED status indicators provide visual switch indication of set point
- Low pressure drop, only needs to be 10% into the flow (e.g. 1/8" for 3/4" schedule 40 pipe)

APPLICATIONS

- Boiler flow proving
- Hot water heaters
- Chillers
- Liquid transfer systems

SPECIFICATIONS

Service: Compatible water-based fluids.
Wetted Materials: 316 SS, Polysulfone, and FKM.
Setpoint Range: 0.5 to 10 ft/s (0.15 to 3.0 m/s).
Repeatability: 0.07 ft/s +3% of setpoint.
Typical Deadband: 0.1 ft/s +15% of setpoint.
Temperature Limits: Process: 5 to 185°F (-15 to 85°C) (non-freezing); Ambient: 5 to 167°F (-15 to 75°C); Storage: -40 to 185°F (-40 to 85°C).
Pressure Limits: 300 psig (20.67 bar), max. momentary surge: 500 psig (34.47 bar).
Response Time: Approximately 8 s.
Power Requirement: 9 to 24 VDC.

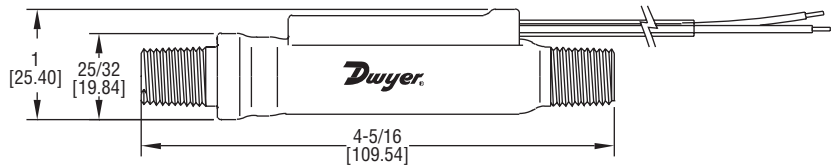
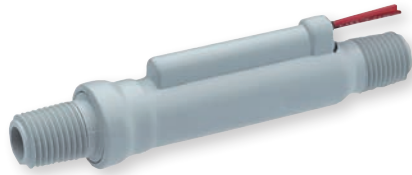
Switching Current: 400 mA, derate 5 mA/°C above 23°C.
Current Consumption: Average: 93 mA, Peak: 300 mA.
Electrical Connection: 4 conductor 22 AWG, 6' (1.83 m) long with cable gland.
Process Connection: 1/2" NPT male.
Enclosure Rating: NEMA 4X (IP65).
Housing Materials: 316 SS, 416 SS, polycarbonate, neoprene, and acrylated urethane.
Switch Type: 1 NO NPN, 1 NC NPN.
Input Power and Protection: 0.5A fuse (resettable) reverse polarity protected.
Switched Output Protection: 0.5A fuse (resettable) reverse polarity protected.
Agency Approvals: CE.

MODEL CHART

Model	Description
TDFS-1-P-06	Thermal flow switch, 6' cable with cable gland
Note: Consult factory for longer cable lengths	

FLOW SWITCH

Ideal for Air and Post-Filtered Water Applications, Fixed Set Point, FDA Compliant



The **SERIES P2** Flow Switches utilize a piston-type design for both air and pure water applications. The switches have preset actuation points from 0.05 to 1.0 GPM for water and 25 CFH to 5 CFM for air. The P2 is comprised of PPE & PS (polyphenylene ether and polystyrene) housing and piston and 316 SS spring and stop pin.

FEATURES/BENEFITS

- Piston design incorporates a hermetically sealed SPST magnetic reed switch
- All wetted parts are FDA compliant
- Economical design

APPLICATIONS

- Pure water equipment
- Filter life monitoring
- Heat exchangers
- Cooling applications

SPECIFICATIONS

Service: Compatible liquids or gases.
Wetted Materials: Housing: PPE & PS (polyphenylene ether and polystyrene); Piston: PPE & PS and epoxy; Spring and stop pin: 316 SS.
Temperature Limits: 0 to 212°F (-18 to 100°C).
Pressure Limits: 150 psig (10.3 bar) @ 70°F (21°C); 50 psig (3.4 bar) @ 212°F (100°C).
Switch Type: SPST, N.O.

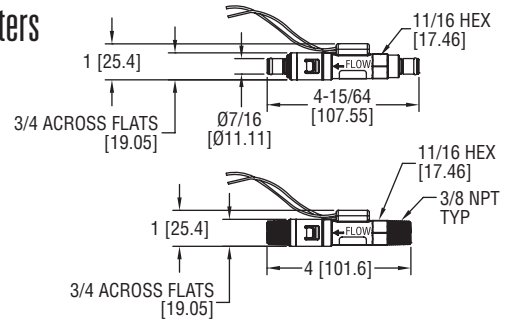
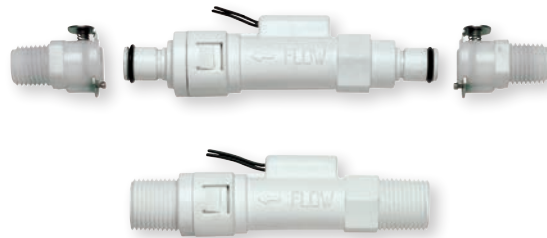
Electrical Rating: .17 A @ 120 VAC, .08 A @ 240 VAC, .13 A @ 120 VDC, .06 A @ 240 VDC.
Electrical Connection: 22 AWG, 18" (45.7 cm), PVC lead wires.
Process Connection: 1/4" male NPT.
Mounting Orientation: Any position. Set points shown are based on vertical, inlet down position.
Required Filtration: 50 microns or better.
Weight: 2 oz (.06 kg).
Agency Approvals: CE.

MODEL CHART

Model	Media	Actuation Set Point	Model	Media	Actuation Set Point
P2-11	Liquids	.05 GPM (.19 LPM)	P2-15	Gases @ 5 psi	.42 CFM (11.9 LPM)
P2-12	Liquids	.25 GPM (.95 LPM)	P2-16	Gases @ 5 psi	1.0 CFM (28.3 LPM)
P2-13	Liquids	.50 GPM (1.89 LPM)	P2-17	Gases @ 5 psi	2.5 CFM (70.8 LPM)
P2-14	Liquids	1.0 GPM (3.79 LPM)	P2-18	Gases @ 5 psi	5.0 CFM (141.6 LPM)

POLYPROPYLENE FLOW SWITCH

Fixed Set Points from 0.25 to 2.0 GPM, 3/8" NPT or "Quick Disconnect" Adapters



The **SERIES P3** Flow Switches fit almost any piping requirements with compatible liquids. Choose the inlet and outlet port to be 3/8" male NPT or 1/4" male "Quick Disconnect" then select a quick disconnect acetal adapter for straight through flow or with a shut off valve.

FEATURES/BENEFITS

- Piston design incorporates a hermetically sealed SPST magnetic reed switch
- Easy integration to existing piping with a variety of fitting options
- Selectable shut off valve will stop line flow when the adapter is removed from the switch
- Economical design

APPLICATIONS

- Pure water equipment
- Filter life monitoring
- Heat exchangers
- Cooling applications

SPECIFICATIONS

Service: Compatible liquids.
Wetted Materials: Housing: Polypropylene; Piston: PPS composite; Spring: 316SS; O-ring: Fluorocarbon.
Temperature Limits: 0 to 212°F (-18 to 100°C).
Pressure Limits: 125 psig (8.6 bar) @ 70°F (21°C), 50 psig (3.4 bar) @ 212°F (100°C).
Accuracy: 20% of set point.
Repeatability: ±1%.
Switch Type: SPST, NO.

Electrical Rating: .08 A @ 120 VAC.
Electrical Connection: 24" (60.96 cm), polymeric wire leads, 22 AWG.
Process Connection: 3/8" male NPT or 1/4" quick disconnect.
Mounting Orientation: Any position. Set points shown are based on vertical, inlet down position.
Required Filtration: 100 microns or better.
Weight: 5 oz (0.14 kg).
Agency Approvals: CE.

MODEL CHART

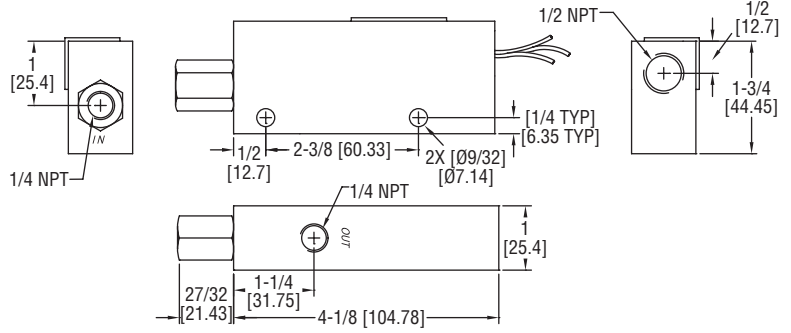
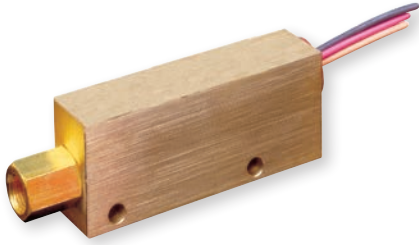
Model	Connection	Actuation Set Point
P3-31	3/8" NPT	0.25 GPM (.95 LPM)
P3-32	3/8" NPT	0.50 GPM (1.89 LPM)
P3-33	3/8" NPT	1.0 GPM (3.79 LPM)
P3-34	3/8" NPT	1.5 GPM (5.68 LPM)
P3-35	3/8" NPT	2.0 GPM (7.57 LPM)
P3-41	Quick disconnect	0.25 GPM (.95 LPM)
P3-42	Quick disconnect	0.50 GPM (1.89 LPM)
P3-43	Quick disconnect	1.0 GPM (3.79 LPM)
P3-44	Quick disconnect	1.5 GPM (5.68 LPM)
P3-45	Quick disconnect	2.0 GPM (7.57 LPM)

ADAPTERS

Model	Connection
P3-801	Quick disconnect straight through 1/4" NPT
P3-802	Quick disconnect straight through 1/4" BSPT
P3-804	Quick disconnect straight through 3/8" BSPT
P3-807	Quick disconnect straight through 1/4" ID tubing
P3-901	Quick disconnect straight through 1/4" NPT w/shut-off valve
P3-902	Quick disconnect straight through 1/4" BSPT w/shut-off valve
P3-907	Quick disconnect straight through 1/4" ID tubing w/shut-off valve

BRASS FLOW SWITCH

Fixed Setpoints, Flow Rates from 0.10 to 1.5 GPM



The **SERIES P1** Brass Flow Switches utilizes a piston-type design for accurate detection of excessive or insufficient liquid flow rates. The switches have preset actuation points from 0.10 to 1.5 GPM for liquid flow.

FEATURES/BENEFITS

- Piston-type operation yields accurate detection of low flow rates
- The piston magnetically actuates a hermetically sealed SPST reed switch

APPLICATIONS

- Industrial cleaning equipment
- Detecting loss of fluid in hydraulic systems
- Assuring proper coolant flow in semiconductor processing

MODEL CHART	
Model	Actuation Set Point* GPM (LPM)
P1-011	0.10 (.38)
P1-012	0.25 (.95)
P1-013	0.50 (1.89)
P1-014	0.75 (2.84)
P1-015	1.00 (3.79)
P1-016	1.50 (5.68)

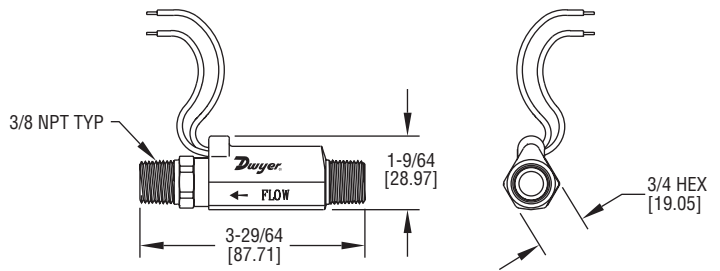
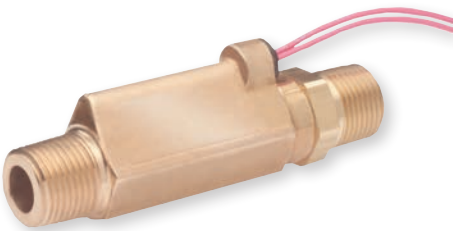
*Calibrated for water at standard conditions.

SPECIFICATIONS

Service: Compatible liquids.
Wetted Materials: Housing: Brass; Piston: Polysulfone; Spring: 316SS; O-ring: Fluoroelastomer; Other: Epoxy.
Temperature Limits: -20 to 225°F (-29 to 107°C).
Pressure Limits: 1000 psig (68.9 bar).
Accuracy: ±10% of set point.
Repeatability: ±1%.
Switch Type: SPDT.
Electrical Rating: .17 A @ 120 VAC, .08 A @ 240 VAC, .13 A @ 120 VDC, .06 A @ 240 VDC.
Electrical Connection: 18 AWG, 24" (60.96 cm), polymeric lead wires.
Process Connection: 1/4" female NPT.
Mounting Orientation: Any position. Set points shown are based on vertical, inlet down position.
Required Filtration: 50 microns or better.
Weight: 0.66 lb (301 g).
Agency Approvals: CE.

HIGH PRESSURE BRASS FLOW SWITCH

Up to 1500 psi, Fixed Setpoint, Up to 2.0 GPM, Rugged Brass Body



The **SERIES P8** High Pressure Brass Flow Switches are ideal for high in-line pressures. Set points range from 0.25 to 2.0 GPM for liquid flow.

FEATURES/BENEFITS

- Integrates a one-piece magnetic PPS composite piston to handle pressure up to 1500 psi
- Less susceptible to clogging than other high in-line pressure switches with 100 micron filtration

APPLICATIONS

- Industrial cleaning equipment
- High pressure lubrication systems

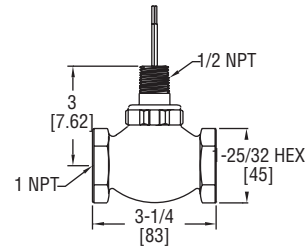
MODEL CHART	
Model	Actuation Set Point GPM (LPM)
P8-11	0.25 (.95)
P8-12	0.50 (1.89)
P8-13	1.0 (3.79)
P8-14	1.5 (5.68)
P8-15	2.0 (7.57)

SPECIFICATIONS

Service: Compatible liquids.
Wetted Materials: Housing: Brass; Piston: PPS composite, epoxy; Spring: 316 SS; O-ring: Fluorocarbon.
Temperature Limits: -20 to 275°F (-28 to 135°C).
Pressure Limits: 1500 psi (103.4 bar).
Accuracy: ±20% of set point.
Switch Type: SPST, NO.
Electrical Rating: .17 A @ 120 VAC, .08 A @ 240 VAC, .13 A @ 120 VDC, .06 A @ 240 VDC.
Electrical Connection: No. 22 AWG, 24" (61 cm), polymeric leads.
Process Connections: 3/8" male NPT.
Mounting Orientation: Any position. Set points shown are based on vertical, inlet down position.
Required Filtration: 100 microns or better.
Weight: 6 oz (.17 kg).
Agency Approvals: CE.

GLOBE VALVE SWITCH

Adjustable Set Point, Rugged Bronze Construction, Straight Through Flow



The **SERIES GVS** Globe Valve Switches offer accurate flow detection with 1% repeatability and external adjustability over a broad range of flow settings for compatible liquids.

FEATURES/BENEFITS

- Externally adjustable flow set point
- Durable construction delivers long-life reliability in either water or oil
- Ample space for flow to pass keep pressure drop low

APPLICATIONS

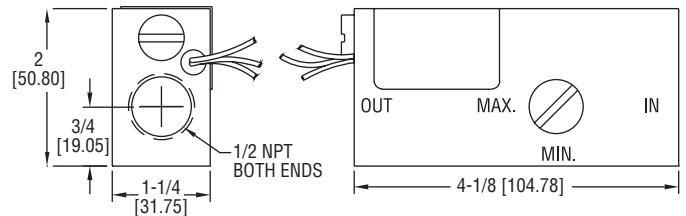
- Detection of improper flow rates in high volume lubrication
- Low flow detection in cooling lines
- Flow detection in process systems

MODEL CHART	
Model	Actuation Set Point Range GPM (LPM)
GVS-111	1.0 to 6.0 (3.8 to 22.7)
GVS-112	5.0 to 15.0 (18.9 to 56.8)
GVS-113	2.0 to 8.0 (7.6 to 30.3)

SPECIFICATIONS	
Service: Compatible liquids.	Electrical Rating: .17 A @ 120 VAC, .08 A @ 240 VAC, .13 A @ 120 VDC, .06 A @ 240 VDC.
Wetted Materials: Housing: Bronze; Shuttle: TFE; Bonnet: Bronze; Spring: 316SS.; Other: Fluoroelastomer, ceramic.	Electrical Connections: 18 AWG, 24" (61 cm), polymeric lead wires.
Temperature Limits: -20 to 200°F (-29 to 93°C).	Process Connections: 1" female NPT.
Pressure Limits: 400 psig (27 bar) @ 100°F (38°C).	Mounting Orientation: Any position. Set points shown are based on horizontal, lead wires up positional.
Accuracy: ±10%.	Required Filtration: 150 microns or better.
Repeatability: 1% maximum deviation.	Weight: 2 lb, 8 oz (1.16 kg).
Switch Type: SPDT.	Agency Approvals: CE.

ADJUSTABLE FLOW SWITCH

For Oils, Water and Gases, Infinite Adjustments



The **SERIES AFS** Adjustable Flow Switches are externally adjustable piston-type flow switches for oils, liquids and gases. This Series offers an infinite number of flow settings from 0.5 to 20 GPM.

FEATURES/BENEFITS

- Externally adjustable flow set point
- Offers a number of flow settings at pressures up to 1000 psig, with low pressure drop and precise repeatability

APPLICATIONS

- Protecting machine tools from coolant flow failure
- Protecting bearings from loss of lubricant
- Assuring proper air flow
- Water or compatible liquid control
- Oil flow control
- Control of gas flows

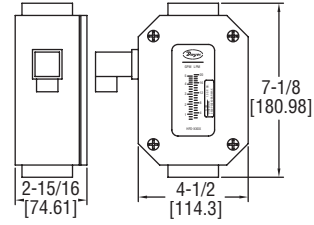
MODEL CHART				
Model	Media	Electrical Connection	Piston	Housing
AFS-131	Oil	Wire leads	Brass	Brass
AFS-141	Water	Wire leads	Polysulfone	Brass
AFS-151	Liquids	Wire leads	316 SS	316 SS
AFS-231	Gases	Wire leads	Brass	Brass
AFS-251	Gases	Wire leads	316 SS	316 SS
AFS-132	Oil	1/2" NPT conduit	Brass	Brass
AFS-142	Water	1/2" NPT conduit	Polysulfone	Brass
AFS-152	Liquids	1/2" NPT conduit	316 SS	316 SS
AFS-232	Gases	1/2" NPT conduit	Brass	Brass
AFS-252	Gases	1/2" NPT conduit	316 SS	316 SS

SPECIFICATIONS	
Service: Compatible gases or liquids.	Electrical Rating: .17 A @ 120 VAC, .08 A @ 240 VAC, .13 A @ 120 VDC, .06 A @ 240 VDC.
Wetted Materials: Housing and Piston: See model chart; Spring: 316SS; O-ring: Fluoroelastomer; Other: Epoxy.	Electrical Connections: 18 AWG, 24" (61 cm), polymeric lead wires, optional 1/2" male NPT conduit connection.
Temperature Limits: -20 to 300°F (-29 to 149°C), -20 to 225°F (-29 to 107.2°C) with polysulfone piston.	Process Connection: 1/2" female NPT ports.
Pressure Limit: 1000 psi (68 bar).	Mounting Orientation: Any.
Accuracy: ±10% of setpoint.	Set Point Adjustment: Liquids: 0.5 to 20 GPM (1.9 to 75.7 LPM); Gases: 1.0 to 75 SCFM (28 to 2124 LPM) at 5 psig.
Repeatability: ±1% maximum deviation.	Required Filtration: 50 microns or better.
Switch Type: SPDT.	Weight: 2 lb, 11 oz (1.22 kg).
	Agency Approvals: CE.



IN-LINE FLOW ALARMS

Latching Alarm Capabilities, For Air, Water or Caustic Fluids, Unrestricted Mounting



The **SERIES HFO** In-Line Flow Alarms provide continuous monitoring and control of flow rate levels. The flow alarm can be configured to open or close a contact for an increasing or decreasing set point. Available in 1/4", 1/2", 1" or 1-1/2" female NPT process connections, in aluminum, brass or 304 SS body.

FEATURES/BENEFITS

- Provides two 10 A SPDT limit switches with field adjustable alarm settings for application control and integral direct reading scale provides local indication of flow rate
- Increased application versatility with no inlet or outlet straight plumbing requirement and can be mounted horizontally, vertically, or inverted
- Outdoor or harsh environment installation capable with rugged cast aluminum construction and NEMA 4X (IP65) enclosure

APPLICATIONS

- Waste water processing
- Lubrication systems
- Process control
- Solar systems
- Drain lines
- Pump testing

MODEL CHART - DUAL SCALE RANGE

Model	Connection Size	Range, Air: SCFM, SLPS	Body Material
HFO-21112	1/4" female NPT	2 to 12, 1 to 5.5	Aluminum
HFO-21123	1/4" female NPT	4 to 23, 2 to 10	Aluminum

SPECIFICATIONS

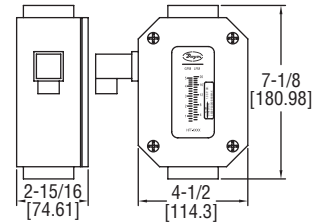
Service: Compatible gases or liquids.
Wetted Materials: Body: Aluminum, brass or 304 SS; Seals: Buna-N or fluoroelastomer; Magnet: PTFE coated Alnico; Other internal parts: 304 SS.
Viscosity: 500 SSU.
Temperature Limits: 170°F (76°C).
Pressure Limits: Aluminum body: 600 psig (41 bar); Brass body: 3500 psig (240 bar); 304 SS body: 6000 psig (413 bar).
Enclosure Rating: NEMA 4X (IP66).
Accuracy: ±2% FS.
Repeatability: ±1% of FS.
Switch Type: SPDT, 10 A @ 250 VAC; 0.5 A @ 125 VDC, (resistive).
Shipping Weight: 1/4 to 1/2" female NPT models: 3 lb (1.4 kg); 3/4 to 1" female NPT models: 4.5 lb (2.0 kg); 1-1/2" female NPT models: 12 lb (5.4 kg).

MODEL CHART

Model	Connection Size	Range, Water: GPM, LPM	Body Material
HFO-22205	1/2" female NPT	0.5 to 5.0, 2 to 19	Brass
HFO-22315	3/4" female NPT	1 to 15, 5 to 55	Brass
HFO-22320	3/4" female NPT	2 to 20, 10 to 74	Brass
HFO-22440	1" female NPT	4 to 40, 20 to 150	Brass
HFO-22550	1-1/2" female NPT	6 to 50, 20 to 190	Brass
HFO-23202	1/2" female NPT	.2 to 2, 1 to 8	304 SS
HFO-23210	1/2" female NPT	1 to 10, 3 to 37.5	304 SS

IN-LINE FLOW TRANSMITTERS

Local Flow Indication, Unrestricted Mounting, 4-20 mA, 0-5V, and 1-5 V Output



The **SERIES HFT** In-Line Transmitters provide continuous monitoring of flow rate levels via a direct reading in-line flowmeter with electronics to provide proportional 4-20 mA, 0-5 and 1-5 VDC analog outputs.

FEATURES/BENEFITS

- Provides analog output to monitor application flow and integral direct reading scale to provide local indication of flow rate
- Increased application versatility with no inlet or outlet straight plumbing requirement and can be mounted horizontally, vertically, or inverted
- Outdoor or harsh environment installation capable with rugged cast aluminum construction and NEMA 4X (IP65) enclosure

APPLICATIONS

- Waste water processing
- Lubrication systems
- Process control
- Solar systems
- Drain lines
- Pump testing
- Drive data acquisition devices, meters or analog input cards

MODEL CHART - DUAL SCALE RANGE

Model	Connection Size	Range, Air: SCFM, SLPS	Body Material
HFT-1112	1/4" female NPT	2 to 12, 1 to 5.5	Aluminum
HFT-1123	1/4" female NPT	4 to 23, 2 to 10	Aluminum

SPECIFICATIONS

Service: Compatible gases or liquids.
Wetted Materials: Body: Aluminum, brass or 304 SS; Seals: Buna-N or Fluoroelastomer; Magnet: PTFE coated Alnico; Other internal parts: 304 SS.
Viscosity: 500 SSU.
Temperature Limits: 170°F (76°C).
Pressure Limits: Aluminum body: 600 psig (41 bar); Brass body: 3500 psig (240 bar); 304 SS body: 6000 psig (413 bar).
Power Requirements: 12 to 35 VDC.
Enclosure Rating: NEMA 4X (IP66).
Accuracy: ±2% FS.
Repeatability: ±1% of FS.
Response Time: < 100 msec.
Output Signal: 4 to 20 mA; 0 to 5 V; 1 to 5 V.
Shipping Weight: 1/4 to 1/2" female NPT models: 3 lb (1.4 kg); 3/4 to 1" female NPT models: 4.5 lb (2.0 kg); 1-1/2" female NPT models: 12 lb (5.4 kg).

MODEL CHART

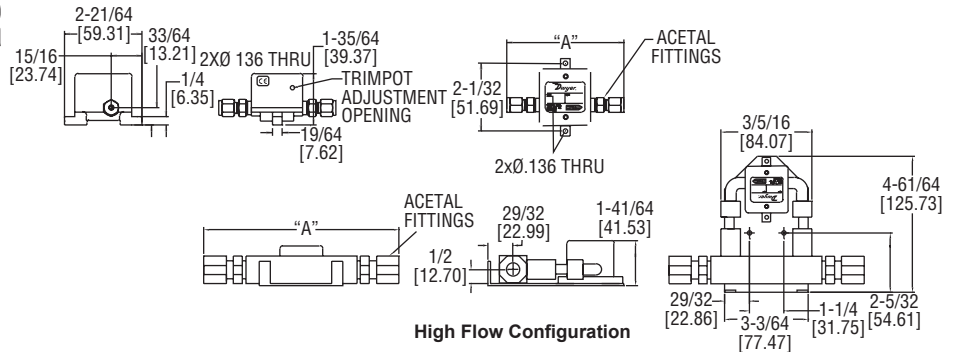
Model	Connection Size	Range, Water: GPM, LPM	Body Material
HFT-2205	1/2" female NPT	0.5 to 5.0, 2 to 19	Brass
HFT-2315	3/4" female NPT	1 to 15, 5 to 55	Brass
HFT-2320	3/4" female NPT	2 to 20, 1 to 75	Brass
HFT-2440	1" female NPT	4 to 40, 15 to 150	Brass
HFT-2550	1-1/2" female NPT	6 to 50, 20 to 190	Brass
HFT-3202	1/2" female NPT	.2 to 2, 1 to 8	304 SS
HFT-3210	1/2" female NPT	1 to 10, 3 to 3.75	304 SS

OPTION

Use order code:	Description
NISTCAL-FT1	NIST traceable calibration certificate

GAS TURBINE FLOW METER

PPS Body, 0 to 5 VDC Output



The **SERIES TFP-GV** Gas Flowmeters utilize a turbine wheel and electro-optical detection to convert flow rates into a linear 0 to 5 VDC output signal for recording and data logging. Couple this unit with a Series FIV Flow Totalizer for a remote flow monitoring display. A power adapter or mating cable assembly is required for operation.

FEATURES/BENEFITS

- Corrosion resistant PPS body
- High repeatability with patented microturbine design
- Design accurately measures flow rates with no zero drift and no required maintenance

APPLICATIONS

- Industrial flow monitoring
- Commercial systems
- Laboratory equipment

Model	Range	Connection	"A" (in)
TFP-GV03	.042 to .21 SCFH (.02 to .1 LPM)	1/8" OD	3-27/64
TFP-GV04	.085 to .42 SCFH (.04 to .2 LPM)	1/8" OD	3-27/64
TFP-GV05	.21 to 1.1 SCFH (.1 to .5 LPM)	1/8" OD	3-27/64
TFP-GV06	.42 to 2.1 SCFH (.2 to 1 LPM)	1/8" OD	3-27/64
TFP-GV07	.85 to 4.2 SCFH (.4 to 2 LPM)	1/4" OD	3-13/16
TFP-GV08	2.1 to 11 SCFH (1 to 5 LPM)	1/4" OD	3-13/16
TFP-GV09	4.2 to 21 SCFH (2 to 10 LPM)	1/4" OD	3-13/16
TFP-GV10*	8.5 to 42 SCFH (4 to 20 LPM)	3/8" OD	7-7/64
TFP-GV11*	21 to 110 SCFH (10 to 50 LPM)	3/8" OD	7-7/64
TFP-GV12*	42 to 210 SCFH (20 to 100 LPM)	1/2" OD	7-1/2
TFP-GV13*	85 to 420 SCFH (40 to 200 LPM)	1/2" OD	7-1/2

*These modes come in high flow configuration

SPECIFICATIONS

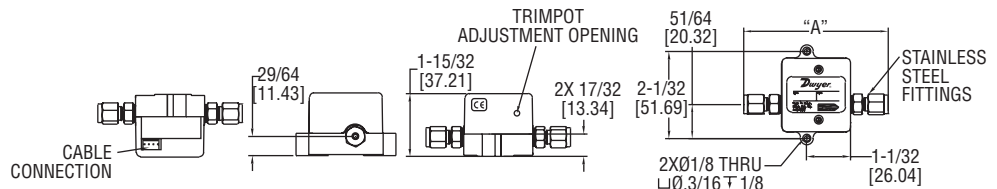
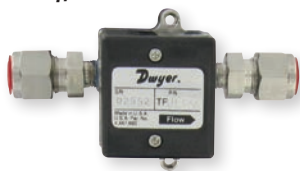
Service: Clean dry gases compatible with wetted materials.
Wetted Materials: PPS, acetal, sapphire, glass, epoxy, and fluoroelastomer.
Accuracy: ±3% of FS.
Linearity: ±3% of FS.
Repeatability: ±0.5% of FS.
Temperature Limits: 41 to 131°F (5 to 55°C); Storage: 32 to 158°F (0 to 70°C); Sensitivity: ±0.2% of FS per °C.
Pressure Limits: 40 psig (2.8 bar).
Process Connection: Compression fitting, see model table.
Power Requirements: 11.5 to 15 VDC.
Power Consumption: 35 mA @ 12 VDC.
Output Signal: 0 to 5 VDC; Minimum 2.5 kΩ load.
Electrical Connections: Four-pin power and signal connector. A power adapter or mating cable required for operation. See accessories table.
Enclosure Rating: IP10 (NEMA 1).
Weight: 0.16 lb (75 g).
Agency Approvals: CE.

ACCESSORIES

Model	Description
A-454	115 VAC power adapter and signal cable
A-455	230 VAC power adapter and signal cable
A-456	36" mating cable with spliced leads

LIQUID TURBINE FLOW METER

316SS Body, 0 to 5 VDC and Pulse Outputs



The **SERIES TFM-LP** Liquid Flowmeters utilize a turbine wheel and electro-optical detection to convert flow rates into a linear 0 to 5 VDC and pulsed output signal for recording and data logging. Couple this unit with a Series FIV Flow Totalizer for a remote flow monitoring display. A power adapter or mating cable assembly is required for operation.

FEATURES/BENEFITS

- Rugged 316 SS body
- High repeatability with patented microturbine design
- Design accurately measures flow rates with no zero drift and no required maintenance

APPLICATIONS

- Industrial flow monitoring
- Commercial systems
- Laboratory equipment

Model	Range	Connection	"A" (in)
TFM-LP03	.21 to 1.6 GPH (.013 to .1 LPM)	1/8" OD	3-27/64
TFM-LP04	.32 to 3.2 GPH (.02 to .2 LPM)	1/4" OD	3-53/64
TFM-LP05	.79 to 7.9 GPH (.05 to .5 LPM)	1/4" OD	3-53/64
TFM-LP06	1.6 to 16 GPH (0.1 to 1 LPM)	1/4" OD	3-53/64
TFM-LP07	3.2 to 32 GPH (.2 to 2 LPM)	1/4" OD	3-53/64
TFM-LP08	7.9 to 79 GPH (.5 to 5 LPM)	3/8" OD	4-1/8
TFM-LP09	16 to 160 GPH (1 to 10 LPM)	3/8" OD	4-1/8

SPECIFICATIONS

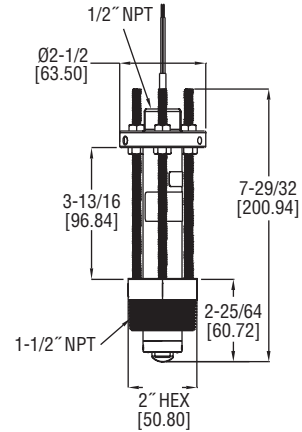
Service: Clean liquids compatible with wetted materials.
Wetted Materials: 316 SS, acetal, sapphire, glass, epoxy, and fluoroelastomer.
Accuracy: ±1% of FS.
Linearity: ±1% of FS.
Repeatability: ±0.2% of FS.
Temperature Limits: 41 to 131°F (5 to 55°C); Storage: 32 to 158°F (0 to 70°C); Sensitivity: ±0.2% of FS per °C.
Pressure Limits: 500 psig (34.5 bar).
Process Connection: Compression fitting, see model table.
Power Requirements: 11.5 to 15 VDC.
Power Consumption: 35 mA @ 12 VDC.
Output Signal: 0 to 5 VDC; Minimum 2.5 kΩ load; Pulse: 7.5 VDC peak buffered square wave.
Electrical Connections: Four-pin power and signal connector. A power adapter or mating cable required for operation. See accessories table.
Enclosure Rating: IP10 (NEMA 1).
Weight: 0.86 lb (390 g).
Agency Approvals: CE.

ACCESSORIES

Model	Description
A-454	115 VAC power adapter and signal cable
A-455	230 VAC power adapter and signal cable
A-456	36" mating cable with spliced leads

PADDLEWHEEL FLOW SENSOR

Non-Magnetic Sensing, Insertion Style for 1-1/2 to 40" Pipe, Pulse or 4 to 20 mA



Scan here to watch product video

The **SERIES PFT** Insertion Paddlewheel Flowmeters are used to monitor liquid flow rates in pipes from 1-1/2 to 40" and is available in brass or 316 SS body. The unit outputs a frequency proportional pulsed or 4 to 20 mA output. The pulse models are a square wave output signal with frequency proportional to the flow velocity and the 4 to 20 mA models have a linear output of the velocity with 4 mA equal to 0 ft/s and 20 mA equal to 25 ft/s.

FEATURES/BENEFITS

- Bearings and shaft offer excellent wear protection even in applications with particulate for long life
- Weatherproof and submersible rated for irrigation applications
- One unit adjustable over a large pipe size range
- Multiple wetted material choices offer application versatility
- Integral 4 to 20 mA output with no need for additional external components
- Sensor technology uses inductive sensing to sense the blades of the impeller therefore does not use magnets allowing low flow rate monitoring with no concerns regarding magnetic material in the flow

APPLICATIONS

- Irrigation
- Ground water remediation
- Cooling systems
- Pump protection
- Leak detection
- Filtration systems

SPECIFICATIONS

Service: Water-based fluids.
Range: 1.2 to 25 ft/s (0.37 to 7.62 m/s).
Wetted Materials: Body and fitting: Brass or 316 SS; fitting O-ring: FKM standard, silicone or Buna-N optional; impeller: 316 SS; shaft: Tungsten carbide standard or 316 SS optional; bearing: PTFE standard, carbon graphite optional.
Linearity: ±1.0% of FS.
Repeatability: ±0.5% of FS.
Temperature Limits: -40 to 212°F (-40 to 100°C).
Pressure Limits: 400 psig (27.6 bar) @ 100°F (37.8°C), 325 psig (22.4 bar) @ 212°F (100°C).
Process Connection: 1-1/2" NPT male standard, 2" NPT male optional.
Output: Pulse: NPN open collector with square wave output, rated 60 V @ 50 mA max; Frequency: 3.2 to 200 Hz. Pulse Width: 2.5 msec ±25%; 4 to 20 mA: 4 mA is 0 ft/s, 20 mA is 25 ft/s.
Power Requirement: 10 to 35 VDC.
Power Consumption: 40 mA (max.).
Electrical Connection: 22 AWG shielded UL type PTLC rated 105°C, 20' (6.1 m) long with cable gland. Can be extended up to 2000' (609 m) with similar cable. Optional UL listed burial rated cable.
Enclosure Rating: NEMA 6P (IP67)*.
Housing Materials: Brass or 316 SS.
Weight: 3 lb (1.36 kg).
Agency Approvals: CE.
 *Brass units IP67 only.

MODEL CHART			
Model	Body Material	Output	Description
PFT-1AN-B111-S	Brass	4 to 20 mA	1-1/2" NPT connection, FKM seals, tungsten-carbide shaft, PTFE bearing, 20' of cable
PFT-1AN-S111-S	316 SS	4 to 20 mA	1-1/2" NPT connection, FKM seals, tungsten-carbide shaft, PTFE bearing, 20' of cable
PFT-1DN-B111-S	Brass	Pulse	1-1/2" NPT connection, FKM seals, tungsten-carbide shaft, PTFE bearing, 20' of cable
PFT-1DN-S111-S	316 SS	Pulse	1-1/2" NPT connection, FKM seals, tungsten-carbide shaft, PTFE bearing, 20' of cable

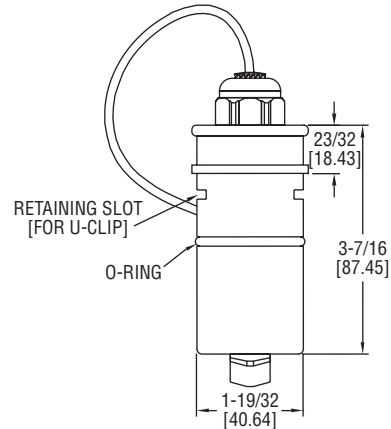
Consult factory for longer cable lengths, burial rated cable, 2" NPT connection, or other wetted materials.

ACCESSORY	
Model	Description
SDF	Saddle fitting available for securing unit in pipe size ranging from 3 to 24".

Flow Transmitters, Paddlewheel, Adjustable Insertion

PADDLEWHEEL FLOW SENSOR

Low Friction Bearings, Long Life



Scan here to watch product video

The **SERIES PDWS** Insertion Paddlewheel Flowmeters are designed for pipe size ranges from 1/2 to 8" with available materials of brass, stainless steel, PVC, and polypropylene. The Series PDWS is intended to be used with the Series PWF, a wide variety of custom tee, saddle, or welded fittings that come in bronze, PVC, and stainless steel.

FEATURES/BENEFITS

- The bearings are made from ruby jewel to reduce the coefficient of friction and maintain high accuracy
- PVC and polypropylene body material offers resistance against corrosive media

APPLICATIONS

- Industrial water & wastewater treatment
- Cooling water monitoring
- Industrial fluid control
- Chemical proportioning
- Fluctuating fluid conductivity applications

SPECIFICATIONS

Service: Compatible clean liquids.
Range: 0.3 to 30 ft/s (0.09 to 9.14 m/s).
Wetted Materials: Sensor: Brass, 316 SS, PVC, or polypropylene; Rotor: PVDF; Shaft: Nickel-bonded tungsten carbide (ceramic optional); Bearings: Ruby jewel; O-ring: EPDM (fluoroelastomer optional).
Accuracy: ±1.5% FS.
Temperature Limits: Brass, 316 SS: 200°F (93°C); PVC, Polypropylene: 130°F (55°C).
Pressure Limits: Brass: 200 psi (14 bar); 316 SS: 250 psi (17 bar); PVC, polypropylene: 175 psi (12 bar) @ 75°F (24°C); High pressure option: 400 psi (28 bar) (SS only).
Process Connection: See page reference below.
Output: Current sinking, square wave pulse, opto-isolated.
Power Requirements: 6 to 24 VDC, 2 mA (max. 20 mA).
Electrical Connection: #22 AWG, 3 conductor, 18' (5.5 m) cable (max. 2000' run).
Enclosure Rating: NEMA 4X (IP66).
Weight: 2 lb (907 g).

MODEL CHART				
Example	PDWS	-1B	-CRS	PDWS-1B-CRS
Series	PDWS			Insertion paddlewheel flow sensor
Size/ Material		1B		1/2 to 3", brass
		1S		1/2 to 3", 316 SS
		1P		1/2 to 3", PVC
		1Y		1/2 to 3", polypropylene
		2B		4 to 8", brass
		2S		4 to 8", 316 SS
		2P		4 to 8", PVC
		2Y		4 to 8", polypropylene
Options			CRS	Ceramic shaft
			IMM	Immersible (urethane potted electrical connection)
			FOR	Fluoroelastomer O-ring
			HPO	High pressure options (Use with SS only)

Note: Need to purchase with Series PWF fitting for proper installation.

ACCESSORIES	
Series	Description
BAT	Blind analog transmitter; converts pulse output to 4 to 20 mA analog output; unit is loop powered, fits on the enclosure of the meter, and is field spannable.
RTI	Rate total indicator; converts pulse output to 4 to 20 mA analog output with local flow rate and totalization display; unit is loop powered, can fit on the enclosure of the meter, and provides a high/low flow alarm.
PWD	Pulse divider, for use with pacing electronic metering pumps; unit divides the input frequency to any number from 1 to 9999 with the use of rotary switches to suit a number of metering pump inputs. (See website)

● Process Connection: See page 170 (Series PWF)



FITTINGS AND TEES

Saddles, Tees, and Weld/Braze Fittings for Series PDWS



PWF-B-PXX



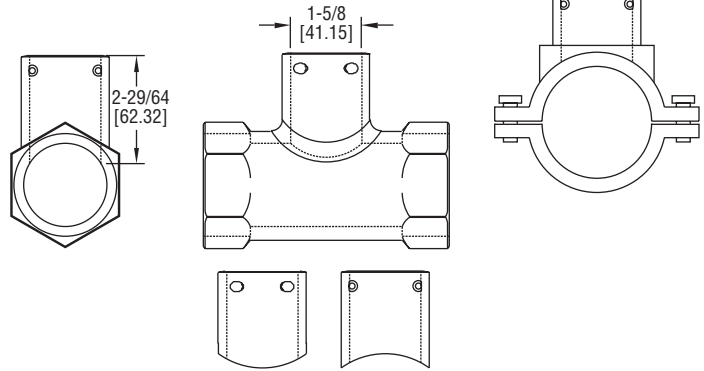
PWF-S-BXX



PWF-S-DXX



PWF-T-SFT-SS



The **SERIES PWF** Fittings and Tees are to be used with the Series PDWS Insertion Paddlewheel Flow Sensors. The Series PWF allows for accurate sensor insertion of the Series PDWS in a wide range of pipe sizes. These fittings and tees are available in bronze, 304 SS, 316 SS, and PVC, further expanding application prospects.

FEATURES/BENEFITS

- Multiple end connections are available to allow for easy installation in a variety of applications

APPLICATIONS

- Irrigation
- Ground water remediation
- Cooling systems
- Pump protection
- Leak detection
- Filtration systems

SPECIFICATIONS

- Service:** Compatible liquids.
- Wetted Materials:** See model chart.
- Temperature Limits:** See model chart.
- Pressure Limits:** See model chart.
- Connections:** 1/2 to 8".
- Weight:** Consult factory.

Flow Transmitters, Paddlewheel, Fixed Insertion

MODEL CHART - TEE FITTING

Model	Description	PDWS-1XX							
		1/2"	3/4"	1"	1-1/2"	2"	3"	4"	
PWF-T-BFS	Bronze/female sweat (for copper tubing)	X	X	X	X	X	X	X	
PWF-T-BFT	Bronze/female thread	X	X	X	X	X	X	X	
PWF-T-PME	PVC/male stub end	X	X	X	X	X	X	X	
PWF-T-CFT	Carbon steel/female thread	X	X	X	X	X	X	X	
PWF-T-SFT	304 SS/female thread	X	X	X	X	X	X	X	
-SS	All 316 SS option	X	X	X	X	X	X	X	
-HP	High pressure option (SS or CS only)	X	X	X	X	X	X	X	

Ⓢ Items are subject to Schedule B discounts.

MODEL CHART - SADDLE FITTING

Model	Description	PDWS-1XX	PDWS-2XX		
		3"	4"	6"	8"
PWF-S-DXX	Ductile iron	X	X	X	X
PWF-S-PXX	PVC	X	X	X	X
PWF-S-BXX	Bronze	X	X	X	X
-LPS	Installed on 16" long pipe stub option (PVC only)	X	X	X	X

Ⓢ Items are subject to Schedule B discounts.

MODEL CHART - WELD/BRAZE FITTING

Model	Description	PDWS-1XX	PDWS-2XX		
		3"	4"	6"	8"
PWF-W-BXX	Bronze	X	X	X	X
PWF-W-CXX	Carbon steel	X	X	X	X
PWF-W-SXX	316 stainless steel	X	X	X	X
-HP	High pressure option (SS or CS only)	X	X	X	X

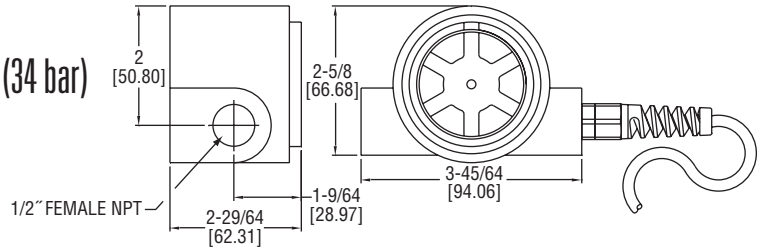
Ⓢ Items are subject to Schedule B discounts.

Example: PWF-T-CFT-0050-S

To order an all 316 SS female thread 1/2" tee for Series PDWS-1XX Paddlewheel Flow Meter.

SIGHT FLOW TRANSMITTER

±2% FS Accuracy, 4 to 20 mA Output, Pressure up to 500 psig (34 bar)



The **SERIES SF** Sight Flow Transmitter is a Series of sight indicators which can display flow or contents of pipelines and provide an analog 4 to 20 mA signal proportional to the flow rate. It is available with a 316 SS or clear polycarbonate cover.

FEATURES/BENEFITS

- Integrates tangential turbine technology with hermetically sealed circuitry to provide accurate flow measurement and control in the harshest environments
- 2-wire loop-powered design transmits a 4 to 20 mA signal proportional to flow rate for remote flow monitoring
- Clear polycarbonate viewing cover option for visible indication of flow
- 316 SS cover offers added protection with pressure limit up to 500 psig (34 bar)
- LED power indication, adjustable zero and span, polarity protection and over current limiting
- Accurately measures flow in both directions and can be mounted in any orientation

APPLICATIONS

- Cooling and lubrication circuits
- HVAC systems
- Aggressive chemical metering
- Batching systems

OPTION	
Use order code:	Description
NISTCAL-FT1	NIST traceable calibration certificate

SPECIFICATIONS

Service: Compatible liquids.
Wetted Materials: 316 SS shaft and case, Iglide® bearings, Buna-N seal and acetel copolymer, (polycarbonate cover on Model SF11).
Flow Range: 0.5 to 15 GPM (2 to 60 LPM).
Accuracy: ±2% FS.
Repeatability: 0.5% FS.
Temperature Limits: 20 to 225°F (-7 to 107°C).

Pressure Limits: 500 psig (34 bar) Model SF10; 200 psig (14 bar) Model SF11.
Response Time: 2 seconds to 90% (step change in flow rate).
Supply Voltage: 12 to 35 VDC.
Output: 4 to 20 mA.
Loop Resistance: 1150 Ω max.
Process Connection: 1/2" female NPT.
Electrical Connection: Wire leads: 22 AWG x 9' (2.7 m).
Max. Particle Size: 100µm.
Agency Approvals: CE.

MODEL CHART

Model	Cover Material
SF10	316 SS
SF11	Clear polycarbonate

Iglide® is a registered trademark of Iigus GMBH

SIGHT FLOW METERS

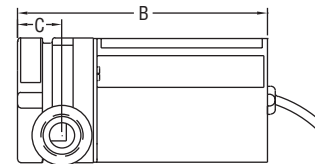
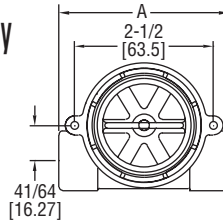
SPDT or Pulse Output, Visual Flow Confirmation, Brass Body



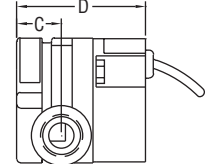
SF2-1



SF2-2



Side View VAC Switch Models



Side View VDC Switch and Transmitter Models

DIMENSIONS in [mm]

Model	A	B	C	D	Model	A	B	C	D
SF2-104	3-1/64 [76.6]	-	7/8 [22.23]	2-21/64 [59.13]	SF2-134	3-61/64 [100.41]	-	1-1/16 [26.99]	2-61/64 [75]
SF2-101	3-1/64 [76.6]	4-1/2 [114.3]	7/8 [22.23]	-	SF2-131	3-61/64 [100.41]	4-49/64 [121.05]	1-1/16 [26.99]	-
SF2-114	3-1/64 [76.6]	-	7/8 [22.23]	2-21/64 [59.13]	SF2-204	3-1/64 [76.6]	-	13/16 [20.64]	2-21/64 [59.13]
SF2-111	3-1/64 [76.6]	4-1/2 [114.3]	7/8 [22.23]	-	SF2-214	3-1/64 [76.6]	-	13/16 [20.64]	2-21/64 [59.13]
SF2-124	3-61/64 [100.41]	-	1-1/16 [26.99]	2-61/64 [75]	SF2-224	3-61/64 [100.41]	-	1-1/16 [26.99]	2-61/64 [75]
SF2-121	3-61/64 [100.41]	4-49/64 [121.05]	1-1/16 [26.99]	-	SF2-234	3-61/64 [100.41]	-	1-1/16 [26.99]	2-61/64 [75]

The **SERIES SF2** Sight Flow Transmitters combine visual confirmation of flow with a relay or pulse output. The SF2-1 offers a SPDT relay output and the SF2-2 offers a pulse output proportional to the rate of flow. The 4.5 to 24 VDC pulse output is compatible with most digital logic families.

FEATURES/BENEFITS

- Brass, solid body construction, one piece composite rotor, and ceramic shaft delivers durability with broader chemical, temperature, and pressure capabilities
- Set points are fully adjustable over the specified flow range
- The dynamic operation of the rotor guards against jamming and false actuation

APPLICATIONS

- Cooling and lubrication circuits
- HVAC systems
- Aggressive chemical metering
- Batching systems

MODEL CHART - PULSED OUTPUT

Model	Range (GPM)	Power	Connection
SF2-204	0.5 to 5.0	4.5 to 24 VDC	1/4" female NPT
SF2-214	4.0 to 20.0	4.5 to 24 VDC	1/2" female NPT
SF2-224	5.0 to 30.0	4.5 to 24 VDC	3/4" female NPT
SF2-234	8.0 to 60.0	4.5 to 24 VDC	1" female NPT

SPECIFICATIONS

Service: Liquids compatible with wetted parts.
Wetted Materials: Brass body, ceramic pin, PPS rotor, Polysulfone lens and fluoroelastomer O-ring.
Accuracy: Relay output: ±5%; Pulsed output: ±7% for ranges up to 5.0 GPM, ±15% for ranges up to 60.0 GPM.
Temperature Limits: -20 to 212°F (-29 to 100°C).
Pressure Limit: 200 psig (13.8 bar) @ 70°F.
Power Requirements: See table.

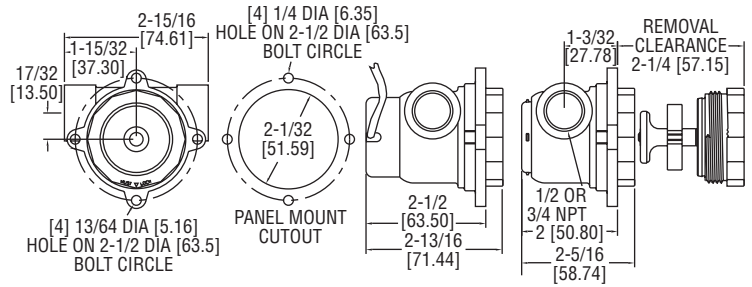
Output: SPDT: 1 Amp, 24 VDC resistive; 0.3 Amp, 110 VAC or 4.5 VDC to 24 VDC pulse depending on model.
Electrical Connections: Relay output models: 20AWG PVC-jacketed, 24" cable; Pulsed output models: 22AWG PVC-jacketed, 24" cable.
Process Connections: See table.
Set Point Differential: 15% max for relay output models.
Maximum Viscosity: 200 SSU.
Agency Approvals: CE.

MODEL CHART - SPDT RELAY OUTPUT

Model	Range (GPM)	Power	Connection
SF2-104	0.5 to 5.0	24 VDC	1/4" female NPT
SF2-101	0.5 to 5.0	110 VAC	1/4" female NPT
SF2-114	4.0 to 20.0	24 VDC	1/2" female NPT
SF2-111	4.0 to 20.0	110 VAC	1/2" female NPT
SF2-124	5.0 to 30.0	24 VDC	3/4" female NPT
SF2-121	5.0 to 30.0	110 VAC	3/4" female NPT
SF2-134	8.0 to 60.0	24 VDC	1" female NPT
SF2-131	8.0 to 60.0	110 VAC	1" female NPT

SIGHT FLOW INDICATOR/TRANSMITTER

Low Cost, Optional Output for Flow Rate and Totalization UV Stabilized Polycarbonate Model



SFI with A-711 Option SFI Model Only

The **SERIES SFI-800** Sight Flow Indicators & Transmitters is a low cost, durable rotor style flow indicator with optional Hall Effect magnetic output packages to combine visual confirmation of flow with optional remote flow monitoring. There are three output sensors available, the A-711 offering two pulsed voltage signals proportional to flow rate, the A-712 which outputs a linear 1 to 10 VDC signal proportional to flow rate, and the A-713 which offers two programmable open collector switch outputs. The Model A-711 is a unique and patent pending sensor that outputs two pulsed voltage signals with one providing a 5 VDC pulse and the other a pulse of the input supply voltage used, ranging from 8 to 18 VDC. The Model A-712 is a sensor that outputs a linear 1 to 10 VDC signal proportional to flow rate. The Model A-713 is a sensor with two programmable open collector switch outputs with one output closed above the set point and the other output closed below the set point ideal for low flow or high flow indication.

FEATURES/BENEFITS

- Constructed of clear plastic enabling 360° viewing of the rotor for easy flow indication
- SFI-800 models are constructed of Polysulfone with excellent chemical compatibility, high pressure and temperature ratings, and all wetted materials are FDA/NSF ratable for potable water applications
- SFI-801 models are constructed of UV stabilized Polycarbonate making them ideal for outdoor applications and easy view bright red impeller
- All three output packages can be installed or replaced in the field without any tools and without removing the body from the process line
- Units are weather-tight for outdoor or wash-down area use
- A-713 features a user-friendly set point button which is set at the desired flow rate with red LED indication of switch status

APPLICATIONS

- Cooling and lubrication circuits
- HVAC systems
- Aggressive chemical metering
- Batching systems

MODEL CHART - SENSOR ONLY	
Model	Description
A-711	Pulsed output
A-712	1 to 10 VDC
A-713	Two open collectors
*Sensor only, not attached to the flow indicator body.	

MODEL CHART - BODY ONLY			
Polysulfone Body Model	Description	Range GPM (LPM)	Connection Female NPT
SFI-800-1/2	Indicator only	2 to 20 (7.6 to 75.5)	1/2"
SFI-800-3/4	Indicator only	3 to 35 (11.4 to 132.5)	3/4"
SFI-800-1/2-LF	Indicator only	0.5 to 6.5 (1.9 to 24.6)	1/2"
Polycarbonate Body Model	Description	Range GPM (LPM)	Connection Female NPT
SFI-801-1/2	Indicator only	2 to 20 (7.6 to 75.5)	1/2"
SFI-801-3/4	Indicator only	3 to 35 (11.4 to 132.5)	3/4"
SFI-801-1/2-LF	Indicator only	0.5 to 6.5 (1.9 to 24.6)	1/2"

SPECIFICATIONS

Service: Compatible fluids.
Wetted Materials: Body: SFI-800: Polysulfone; SFI-801: UV stabilized polycarbonate; Window: SFI-800: Polysulfone; SFI-801: UV stabilized polycarbonate; Rotor: SFI-800: White polysulfone; SFI-801: Red UV stabilized PBT; Rotor Pin: 316 SS; Thrust washers: 300 Series SS; O-ring: SFI-800: Fluoroelastomer (NSF grade); SFI-801: Buna-N.
Temperature Limits: SFI-800: -20 to 212°F (-29 to 100°C); SFI-801: -20 to 130°F (-29 to 55°C).
Pressure Limits: SFI-800: 150 psi (10.34 bar); SFI-801: 125 psi (8.62 bar).
Viscosity Max: 200 SSU.
Weight: SFI-800: 3.35 oz (95 g); SFI-800-A711: 5.0 oz (142 g).
Agency Approvals: CE.

ELECTRICAL SPECIFICATIONS (for A-711 Option Only)

Temperature Limits: -20 to 212°F (-29 to 100°C).
Power Requirements: 8 to 28 VDC.
Output Signal: White lead: 5 VDC; Green lead: 8 to 28 VDC equal to supply voltage. Pulsed output with frequency rate proportional to flow rate.
Accuracy: ±5% FS.
Frequency Output Range: 0 to 100 Hz.
Electrical Connections: Black lead - ground; White lead: 5 VDC out pulse; Green lead: 8 to 28 VDC out pulse; Red lead: 8 to 28 VDC supply.

ELECTRICAL SPECIFICATIONS (for A-712 option only)

Temperature Limits: -20 to 212°F (-29 to 100°C).
Power Requirements: 15 to 28 VDC.
Output Signal: White lead: 1 to 10 VDC.
Accuracy: ±5% FS.
Electrical Termination: Black lead: Ground; Red lead: 15 to 28 VDC input; White lead: 1 to 10 VDC output.

ELECTRICAL SPECIFICATIONS (for A-713 option only)

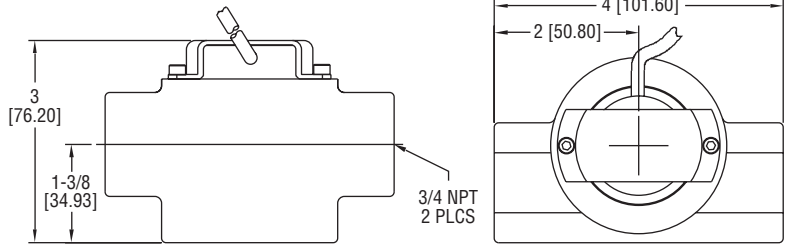
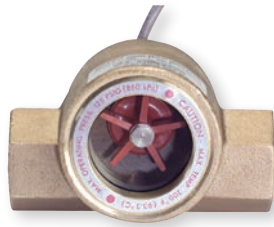
Temperature Limits: -20 to 212°F (-29 to 100°C).
Power Requirements: 8 to 28 VDC.
Output Signal: White lead: Normally open switch; Green lead: Normally closed switch. Both open collector, 100 mA max, 28 VDC max.
Electrical Connections: Black lead: Ground; White lead: Normally open; Green lead: Normally closed; Red lead: 8 to 28 VDC.

OPTIONS - BODY AND SENSORS ATTACHED	
To order add suffix:	Description
-A711	A-711 attached to flow indicator body
Example: SFI-800-1/2-A711	
-A712	A-712 attached to flow indicator body
Example: SFI-800-1/2-A712	
-A713	A-713 attached to flow indicator body
Example: SFI-800-1/2-A713	

Flow Transmitters, Paddlewheel, In-Line

SIGHT FLOW INDICATOR/TRANSMITTER

Output for Flow Rate and Totalization



The **SERIES SFI-100T** Sight Flow Indicators & Transmitters is a low cost and durable flow transmitter that combines our popular 100 Series Sight Flow Indicator with our A-711T output sensor for visual and remote monitoring of flow. The A-711T output sensor has two pulsed voltage signals with one providing a 5 VDC pulse, the other a pulse of the input supply voltage used, ranging from 8 to 28 VDC and a pulsed output with a frequency change proportional to the flow rate.

FEATURES/BENEFITS

- Constructed of a robust, solid brass body and a tempered glass window
- Bright red impeller yields great visual indication of flow through the window
- Front window can be easily unscrewed to clean out the sight flow indicator
- Ideal for outdoor applications with weatherproof body that is unaffected by UV light

APPLICATIONS

- Cooling and lubrication circuits
- HVAC systems
- Monitoring chilled or hot water flow
- Monitoring water flow in chillers

MODEL CHART			
Model	Description	Range GPM (LPM)	Connection Female NPT
SFI-100T-1/2-A711T	Brass indicator with A-711T sensor	2 to 20 (7.6 to 75.5)	1/2"
SFI-100T-3/4-A711T	Brass indicator with A-711T sensor	3 to 35 (11.4 to 132.5)	3/4"
A-711T	Output sensor package	-	-

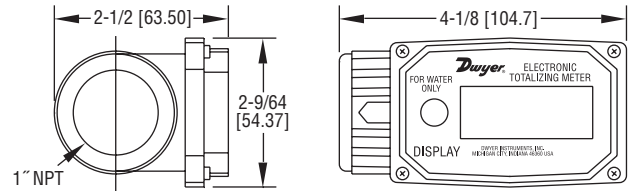
SPECIFICATIONS

Service: Compatible fluids.
Wetted Materials: Body: Brass; Window: Tempered glass; Rotor: Red UV stabilized PBT; Rotor pin: 316 SS; Thrust washers: 300 series SS; Gasket: Buna-N.
Temperature Limits: -20 to 200°F (-29 to 93°C).
Pressure Limits: 125 psi (8.62 bar).
Viscosity Max: 200 SSU.
Weight: SFI only: 1.5 lb (0.7 kg); with A-711T: 1.8 lb (0.8 kg).

ELECTRICAL SPECIFICATIONS
Temperature Limits: -20 to 212°F (-29 to 100°C).
Power Requirements: 8 to 28 VDC.
Output Signal: White lead: 5 VDC. Green lead: 8 to 28 VDC equal to supply voltage. Pulsed output with frequency rate proportional to flow rate.
Accuracy: ±5% FS.
Frequency Output Range: 0 to 100 Hz.
Mounting Orientation: Horizontal.
Electrical Connections: Black lead: Ground; White lead: 5 VDC out pulse; Green lead: 8 to 28 VDC out pulse; Red lead: 8 to 28 VDC supply.

ELECTRONIC TOTALIZING METER

Batch or Cumulative Totals, Easy-to-Read LCD Display, ±5% Accuracy



The **SERIES TTM** Electronic Totalizing Meter measures batch and cumulative totals in liquid transfer systems in Nylon or Aluminum for water or fuels. The meter is designed for any pump, pressure, or gravity feed system with a 3 to 30 GPM (10 to 100 LPM) flow range.

FEATURES/BENEFITS

- Easily view batch and cumulative totals on the large 4-digit LCD display
- Resettable batch totals ideal for totalizing a single use
- Cumulative total will automatically reset to zero when a maximum reading of 9999 is obtained
- Models designed for use in water applications are constructed of Nylon® and rated to 150 psig (10.3 bar)
- Aluminum models are calibrated for fuels and rated to 300 psig (20.7 bar)

APPLICATIONS

- Petrochemical
- Cooling towers
- De-icing in airports
- Pest control dispensing
- Chemical blending
- Onsite add water for concrete trucks

MODEL CHART			
Model	Application	Body Material	Units
TTM10	Water*	Nylon	Gallons
TTM11	Water*	Nylon	Liters
TTM20	Fuels†	Aluminum	Gallons
TTM21	Fuels†	Aluminum	Liters

*Calibrated for use with water
 †Calibrated for use with gasoline, diesel fuel and kerosene

SPECIFICATIONS

Service: Compatible liquids.
Flow Range: 3 to 30 GPM (10 to 100 LPM).
Wetted Materials: Bearings: Ceramic; Shaft: Tungsten carbide; Rotor: Nylon 6-6; Rings: 316 SS; Body: TTM10, 11: Nylon 6-6, TTM20, 21: Aluminum; Other: TTM20, 21: Ceramic magnet.
Accuracy: ±5%.
Batch Total Maximum: 9999.
Cumulative Total Maximum: 9999.
Temperature Limits: 14 to 130°F (-10 to 54°C).
Pressure Limits: Nylon models: 150 psig (10 bar); Aluminum models: 300 psig (20 bar).
Pressure Drop: 2 psi (0.14 bar) @ 30 GPM (100 LPM).
Maximum Particulate Size: 350 microns.
Display: 4-digit LCD, 5/8" H.
Auto Shut-off: After 1 minute.
Connections: 1" female NPT.
Power Requirements: (2) AAA alkaline batteries, installed functional, user replaceable.
Battery Life: Approx. 9000 hours.
Weight: Nylon models: 0.4 lb (190 g); Aluminum models: 0.7 lb (340 g).
Agency Approvals: CE.





DIGITAL PADDLEWHEEL FLOW TRANSMITTER

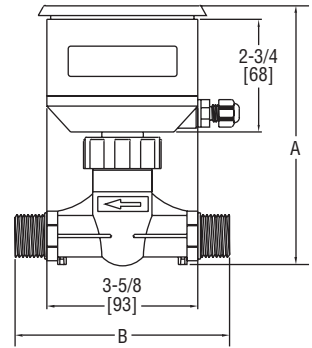
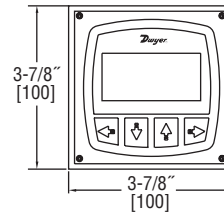
Flow and Total Indication, Easy to Read LCD Display, 4 to 20 mA or Pulse Output



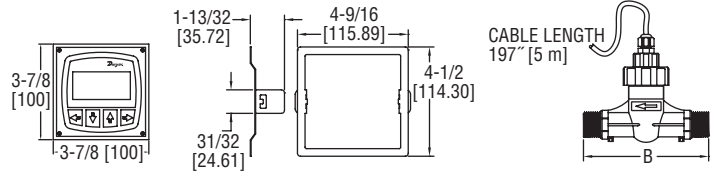
DFMT



DFMT2



Connection	A	B
3/8"	6" (152 mm)	4-3/4" (121 mm)
1/2"	6" (152 mm)	5-1/8" (130 mm)
3/4"	6-1/4" (158 mm)	5-5/8" (142 mm)
1"	6-1/4" (158 mm)	5-1/2" (141 mm)
1-1/2"	6-5/8" (168 mm)	6-7/8" (175 mm)
2"	7-1/4" (184 mm)	6-7/8" (175 mm)



Remote Mounting Bracket (Stainless Steel)

DFMT2



Scan here to watch product video

The **SERIES DFMT** Digital Paddlewheel Flow Transmitter provides instantaneous, as well as totalizing flow monitoring. The unit offers a user selectable 4 to 20 mA or pulse output with compact display.

FEATURES/BENEFITS

- The large backlit LCD display defines instantaneous as well as cumulative flow with visual indication bar designating percent of max flow
- Long operation life with high accuracy paddlewheel technology and corrosion resistant PVDF sensor
- Totalizer is user resettable at any time ideal for single batch totalization
- Security password protecting prevents any unauthorized changes

APPLICATIONS

- Cooling towers
- Chemical proportioning or blending
- Industrial water & wastewater treatment
- Cooling water monitoring
- Fluctuating fluid conductivity applications
- Reverse osmosis systems

The **SERIES DFMT2** Remote Digital Paddlewheel Flow Transmitter provides instantaneous, as well as totalizing flow monitoring. The unit offers a user selectable 4 to 20 mA or pulse output with remote display.

FEATURES/BENEFITS

- Two piece design allows the user to separate the control display from the application, making it ideal in areas where space is limited
- The large backlit LCD display defines instantaneous as well as cumulative flow with visual indication bar designating percent of max flow
- Long operation life with high accuracy paddlewheel technology and corrosion resistant PVDF sensor
- Totalizer is user resettable at any time ideal for single batch totalization
- Security password protecting prevents any unauthorized changes

APPLICATIONS

- Reverse osmosis systems
- Remote flow monitoring
- Cooling towers
- Chemical proportioning or blending
- Industrial water & wastewater treatment
- Cooling water monitoring
- Fluctuating fluid conductivity applications

SPECIFICATIONS

Service: Compatible clean liquids.
Range: See model chart.
Wetted Materials: Sensor and impeller: PVDF; Shaft: Ceramic; O-rings: Fluoroelastomer.
Accuracy: ±1.5% FS.
Repeatability: ±0.5% FS.
Output: Analog: 4 to 20 mA (750 Ω max. loop resistance); Pulse: NPN square wave output; Frequency: 0 to 2 kHz (adjustable); Pulse width: 0 to 1000 ms (adjustable).
Electrical Connections: Removable screw terminal.
Temperature Limits: Process: -4 to 194°F (-20 to 90°C); Ambient: -4 to 149°F (-20 to 65°C).
Pressure Limit: 145 psi (1.0 MPa).
Power Requirements: 12 to 24 VDC.
Power Consumption: 2 W.
Display: 2.38 x 1.25" (60.33 x 31.75 mm) LCD.
Totalizing Display Maximum: 9,999,999,999.
Process Connection: See model chart.
Enclosure Rating: IP65.
Enclosure Material: ABS plastic.
Weight: See model chart.

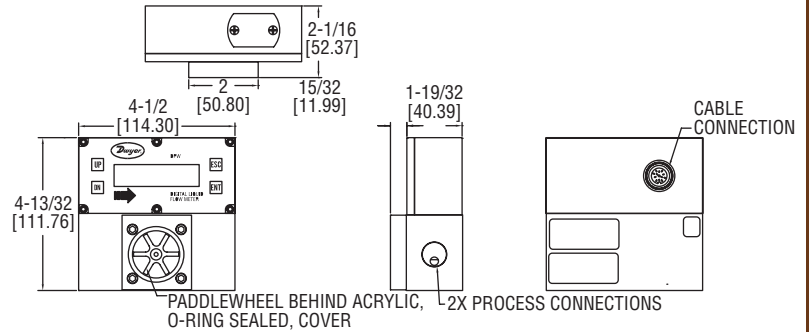
Model	Range GPM (m³/h)	Connection	Weight lb (kg)
DFMT-10A	0.44 to 7.93 (0.1 to 1.8)	3/8" NPT	1.06 (0.48)
DFMT-15A	0.88 to 17.61 (0.2 to 4)	1/2" NPT	1.10 (0.5)
DFMT-20A	1.32 to 26.42 (0.3 to 6)	3/4" NPT	1.15 (0.52)
DFMT-25A	2.20 to 52.83 (0.5 to 12)	1" NPT	1.23 (0.56)
DFMT-40A	6.61 to 105.67 (1.5 to 24)	1-1/2" NPT	1.46 (0.66)
DFMT-50A	8.81 to 176.11 (2 to 40)	2" NPT	1.68 (0.76)

Model	Range GPM (m³/h)	Connection	Weight lb (kg)
DFMT2-10A	0.44 to 7.93 (0.1 to 1.8)	3/8" NPT	1.76 (0.8)
DFMT2-15A	0.88 to 17.61 (0.2 to 4)	1/2" NPT	1.81 (0.82)
DFMT2-20A	1.32 to 26.42 (0.3 to 6)	3/4" NPT	1.85 (0.84)
DFMT2-25A	2.20 to 52.83 (0.5 to 12)	1" NPT	1.94 (0.88)
DFMT2-40A	6.61 to 105.67 (1.5 to 24)	1-1/2" NPT	2.20 (1.0)
DFMT2-50A	8.81 to 176.11 (2 to 40)	2" NPT	2.43 (1.1)



DIGITAL PADDLEWHEEL

1% FS, Flow and Optional Temperature Readings, Programmable Output



The **SERIES DPW** Digital Paddlewheel is an economical choice for applications where remote or local liquid flow measurement is desired. This Series offers two programmable totalizers via the optional LCD and RS-232/RS-485 interface, two optically isolated flow pulse outputs, and selectable 0 to 5 VDC or 4 to 20 mA flow outputs (optional temperature).

FEATURES/BENEFITS

- Jewel bearings allow for smooth rotation with minimal wear and low flow monitoring capability
- Rugged, chemical resistant PVDF lower block material ensures high reliability and longevity for use in harsh environments
- User-friendly interface allows for easy manipulation of the paddlewheel's many different programmable features including high/low flow (optional temperature alarms), totalizer and flow pulse outputs
- Supports up to 29 engineering units, including user defined ones, making it suitable for a variety of applications
- Flow meter parameters and functions can be programmed remotely via the RS-232/RS-485 interface or locally via optional LCD/keypad
- Optional temperature measurement with RTD option is ideal for energy monitoring

APPLICATIONS

- Liquid monitoring
- Chemical proportioning or batching
- Laboratory equipment

SPECIFICATIONS

Service: Liquids compatible with wetted materials.
Wetted Materials: DPW-XP: Polypropylene; Seals (see options in model chart), PVDF and nickel tungsten carbide paddlewheel, acrylic lid; Bearings: PVDF sapphire; DPW-XT: PVDF; Seals (see options in model chart), PVDF and zirconia ceramic paddlewheel, PVDF lid; Bearings: PVDF sapphire.
Accuracy: ±1% FS.
Repeatability: ±0.25% FS.
Response Time: 1 second above 10% of FS, 2 seconds below 10% of FS.
Output Signal: Linear 0 to 5 VDC (3000 Ω min. load impedance); 4 to 20 mA (500 Ω max. loop resistance) for flow and temperature option; Pulse output: 3.3 VDC, 3K min. load impedance.
Electrical Connection: 12 pin cable.
Digital Interface: RS-232; RS-485.
Temperature Limits: 14 to 140°F (-10 to 60°C).
Pressure Limit: 10 bar (150 psig).
Power Requirements: 11 to 26 VDC.
Display: 2 row, 16 character LCD with backlight (optional).
Process Connections: DPW-05: 3/8" FNPT; DPW-10: 1/2" FNPT; DPW-17: 3/4" FNPT; DPW-35: 1" FNPT.
Enclosure Rating: IP65.
Weight: 1.60 lb (0.73 kg).

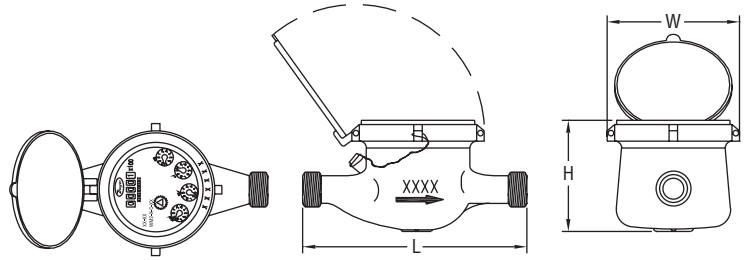
MODEL CHART									
Example	DPW	-05	-P	-E	-L	-N	-A	-2	DPW-05-P-E-L-N-A-2
Series	DPW								Flow transmitter
Orifice Size (Max. Flow Range)	05								0.04 to 5 GPM (0.15 to 18.9 LPM)
	10								0.08 to 10 GPM (0.3 to 37.6 LPM)
	17								0.15 to 17 GPM (0.6 to 64.4 LPM)
	35								0.35 to 35 GPM (1.3 to 132.5 LPM)
Material Lower Block			P						Polypropylene
			T						PVDF
Seals				E					EPDM
				T					PTFE
				B					Buna-N
				V					Fluoroelastomer
Display/Keypad					N				No display/no keypad
					L				LCD/keypad
RTD Option						N			No RTD
						R			RTD
Output Signal							A		0 to 5 VDC
							B		4 to 20 mA
Digital Interface								2	RS-232
								5	RS-485

ACCESSORY	
Model	Description
A-CBL12	12 pin stripped end cable, 10 ft



MULTI-JET WATER METER

Economical, Brass Body, Dry Dial



Size in (mm)	Spud NPSM (BSPP)	Length 'L' in (mm)	Width 'W' in (mm)	Height 'H' in (mm)	Weight lb (kg)
5/8 x 1/2 (15)	3/4" (3/4")	6-1/2 (165)	3-45/64 (94)	4-15/64 (107.5)	3.75 (1.7)
5/8 x 3/4	1" (1")	7-1/2 (190)	3-45/64 (94)	4-15/64 (107.5)	3.97 (1.8)
3/4 (20)	1" (1")	7-1/2 (190)	3-45/64 (94)	4-15/64 (107.5)	4.9 (2.2)
1 (25)	1-1/4" (1-1/4")	10-1/4 (260)	3-55/64 (98)	4-5/8 (117.5)	6.4 (2.9)
1-1/4 (32)	1-1/2" (1-1/2")	10-1/4 (260)	3-55/64 (98)	4-5/8 (117.5)	8.2 (3.7)
1-1/2 (40)	2" (2")	11-13/16 (300)	4-51/64 (122)	5-9/16 (141.5)	13.52 (6.17)
2 (50)	2-1/2" (2-1/2")	11-13/16 (300)	5-45/64 (145)	6-31/32 (177)	18.74 (8.5)

The **SERIES WM2** Multi-Jet Water Meters is a series of mechanical, water totalizing meters that display the total water usage in Gallons or m³. They are available in a range of body sizes and include NPT or BSPT couplings.

FEATURES/BENEFITS

- Multi-jet design allows for simplicity and accuracy with wide flow ranges, even in low flow applications
- Magnetically driven, hermetically sealed register does not leak or fog and is completely separated from the water
- Designed for long service life and maintenance-free operation, even under harsh conditions
- Integral strainer that protects meter from particulate damage
- Easy installation with included coupling adapters

APPLICATIONS

- Irrigation
- Cooling systems
- Filtration systems
- Water monitoring

SPECIFICATIONS

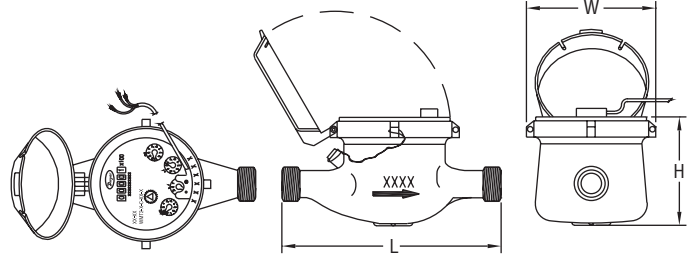
Service: Water.
Wetted Materials: Body: Brass, polyethylene; Couplings: Brass; Measuring Chamber: Polyethylene, ABS plastic, ferrite, acetal.
Flow Range: See model chart.
Accuracy: Transitional flow: ±5%; Nominal flow: ±2%.
Temperature Limit: 104°F (40°C).
Pressure Limit: 232 psi (16 bar).
Pressure Drop: See service manual.
Totalizing Display Maximum: See model chart.
Mounting Orientation: Horizontal.
Weight: See dimension chart.

MODEL CHART						
Model	Size	Coupling Size	Max Flow	Nominal Flow Range	Transitional Flow	Display Max (Gallons)
			GPM (Gallons Per Minute)			
WM2-A-C-01	5/8 x 1/2"	1/2" NPT	20	1 to 10	0.25	9,999,999.99
WM2-A-C-02	5/8 x 3/4"	3/4" NPT	20	1 to 20	0.25	9,999,999.99
WM2-A-C-03	3/4"	3/4" NPT	30	2 to 30	0.25	99,999,999.9
WM2-A-C-04	1"	1" NPT	50	3 to 50	0.75	99,999,999.9
WM2-A-C-06	1-1/2"	1-1/2" NPT	100	5 to 100	1.5	99,999,999.9
WM2-A-C-07	2"	2" NPT	160	80 to 160	2	99,999,999.9

MODEL CHART						
Model	Size	Coupling Size	Max Flow	Nominal Flow Range	Transitional Flow	Display Max (m ³)
			m ³ /h			
WM2-B-C-08	15 mm	1/2" BSPT	3	0.12 to 1.5	0.03	99,999.9999
WM2-B-C-10	20 mm	3/4" BSPT	5	0.2 to 2.5	0.03	99,999.9999
WM2-B-C-11	25 mm	1" BSPT	7	0.25 to 3.5	0.07	99,999.9999
WM2-B-C-12	32 mm	1-1/4" BSPT	12	0.48 to 6	0.12	99,999.9999
WM2-B-C-13	40 mm	1-1/2" BSPT	20	0.8 to 10	0.2	999,999.9999
WM2-B-C-14	50 mm	2" BSPT	30	1.2 to 15	0.12	999,999.9999

MULTI-JET WATER METER WITH PULSED OUTPUT

Economical, Brass Body, Dry Dial



Size in (mm)	Spud NPSM (BSPP)	Length 'L' in (mm)	Width 'W' in (mm)	Height 'H' in (mm)	Weight lb (kg)
5/8 x 1/2 (15)	3/4" (3/4")	6-1/2 (165)	3-45/64 (94)	4-15/64 (107.5)	3.75 (1.7)
5/8 x 3/4	1" (1")	7-1/2 (190)	3-45/64 (94)	4-15/64 (107.5)	3.97 (1.8)
3/4 (20)	1" (1")	7-1/2 (190)	3-45/64 (94)	4-15/64 (107.5)	4.9 (2.2)
1 (25)	1-1/4" (1-1/4")	10-1/4 (260)	3-55/64 (98)	4-5/8 (117.5)	6.4 (2.9)
1-1/4 (32)	1-1/2" (1-1/2")	10-1/4 (260)	3-55/64 (98)	4-5/8 (117.5)	8.2 (3.7)
1-1/2 (40)	2" (2")	11-13/16 (300)	4-51/64 (122)	5-9/16 (141.5)	13.52 (6.17)
2 (50)	2-1/2" (2-1/2")	11-13/16 (300)	5-45/64 (145)	6-31/32 (177)	18.74 (8.5)

The **SERIES WMT2** Multi-Jet Water Meters is a series of mechanical, water totalizing meters that display the total water usage in Gallons or m³ and provide a reed switch output proportional to flow rate. They are available in a range of body sizes and include NPT or BSPT couplings.

FEATURES/BENEFITS

- Multi-jet design allows for simplicity and accuracy with wide flow ranges, even in low flow applications
- Magnetically driven, hermetically sealed register does not leak or fog and is completely separated from the water
- Designed for long service life and maintenance-free operation, even under harsh conditions
- Integral strainer that protects meter from particulate damage
- Easy installation with included coupling adapters
- Pulsed output proportional to flow allows for remote flow totalization

APPLICATIONS

- Irrigation
- Cooling systems
- Filtration systems
- Water monitoring

SPECIFICATIONS

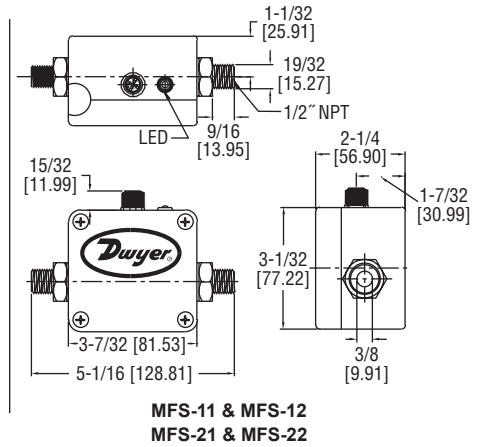
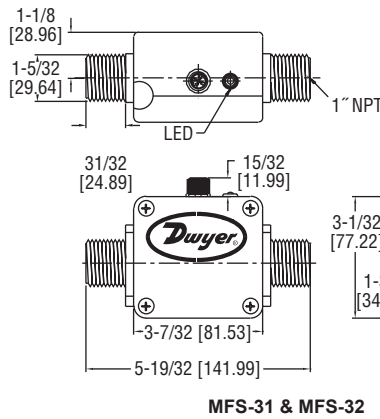
Service: Water.
Wetted Materials: Body: Brass, polyethylene; Couplings: Brass; Measuring chamber: Polyethylene, ABS plastic, ferrite, acetal.
Flow Range: See model chart.
Accuracy: Transitional flow: ±5%; Nominal flow: ±2%.
Temperature Limit: 104°F (40°C).
Pressure Limit: 232 psi (16 bar).
Pressure Drop: See service manual.
Totalizing Display Maximum: See model chart.
Output Signal: Pulse output with frequency proportional to flow rate.
Pulse Options: 0.1 gal, 1 gal, 10 gal, 100 gal per pulse (1 L, 10 L, 100 L per pulse).
Electrical Rating: 0.01 A @ 24 VAC/DC.
Electrical Connections: Color-coded lead wires, 4.5' (1.5 m) long.
Mounting Orientation: Horizontal.
Weight: See dimension chart.

MODEL CHART							
Model	Size	Coupling Size	Max Flow	Nominal Flow Range	Transitional Flow	Display Max (Gallons)	Pulse Rate (Gal./Pulse)
			GPM (Gallons Per Minute)				
WMT2-A-C-01	5/8 x 1/2'	1/2" NPT	20	1 to 10	0.25	9,999,999.99	0.1
WMT2-A-C-02	5/8 x 3/4'	3/4" NPT	20	1 to 20	0.25	9,999,999.99	0.1
WMT2-A-C-03	3/4'	3/4" NPT	30	2 to 30	0.25	9,999,999.99	0.1
WMT2-A-C-04	1'	1" NPT	50	3 to 50	0.75	99,999,999.9	0.1
WMT2-A-C-01-1	5/8 x 1/2'	1/2" NPT	20	1 to 10	0.25	9,999,999.99	1
WMT2-A-C-02-1	5/8 x 3/4'	3/4" NPT	20	1 to 20	0.25	9,999,999.99	1
WMT2-A-C-03-1	3/4'	3/4" NPT	30	2 to 30	0.25	9,999,999.99	1
WMT2-A-C-04-1	1'	1" NPT	50	3 to 50	0.75	99,999,999.9	1
WMT2-A-C-06-10	1-1/2'	1-1/2" NPT	100	5 to 100	1.5	99,999,999.9	10
WMT2-A-C-07-10	2'	2" NPT	160	80 to 160	2	99,999,999.9	10
WMT2-A-C-04-100	1'	1" NPT	50	3 to 50	0.75	99,999,999.9	100
WMT2-A-C-07-100	2'	2" NPT	160	80 to 160	2	99,999,999.9	100

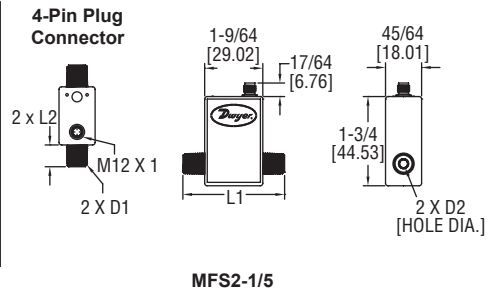
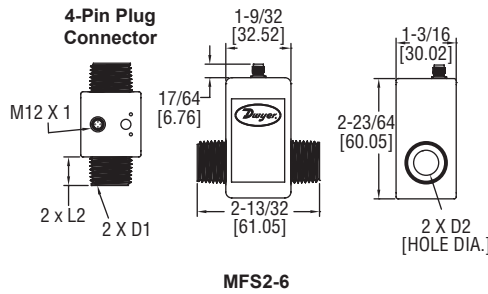
MODEL CHART							
Model	Size	Coupling Size	Max Flow	Nominal Flow Range	Transitional Flow	Display Max (m ³ /h)	Pulse Rate (L/Pulse)
			m ³ /h				
WMT2-B-C-08-1	15 mm	1/2" BSPT	3	0.12 to 1.5	0.03	99,999.9999	1
WMT2-B-C-10-1	20 mm	3/4" BSPT	5	0.2 to 2.5	0.05	99,999.9999	1
WMT2-B-C-11-1	25 mm	1" BSPT	7	0.25 to 3.5	0.07	99,999.9999	1
WMT2-B-C-12-1	32 mm	1-1/4" BSPT	12	0.48 to 6	0.12	99,999.9999	1
WMT2-B-C-08-10	15 mm	1/2" BSPT	3	0.12 to 1.5	0.03	99,999.9999	10
WMT2-B-C-12-10	32 mm	1-1/4" BSPT	12	0.48 to 6	0.12	99,999.9999	10
WMT2-B-C-14-10	50 mm	2" BSPT	30	1.2 to 15	0.3	999,999.9999	10
WMT2-B-C-12-100	32 mm	1-1/4" BSPT	12	0.48 to 6	0.12	99,999.9999	100
WMT2-B-C-14-100	50 mm	2" BSPT	30	1.2 to 15	0.3	999,999.9999	100

MAGNETIC INDUCTIVE FLOW SENSOR

No Moving Parts, Frequency and 4 to 20 mA Output, Maintenance-Free



Model	L1	L2	D1	D2
MFS2-1	4"	0.86"	1/2-14" NPT	0.31"
MFS2-2	4"	0.86"	1/2-14" NPT	0.31"
MFS2-3	4.02"	0.86"	3/4-14" NPT	0.55"
MFS2-4	4.41"	1.04"	1-11.5" NPT	0.71"
MFS2-5	4.41"	1.04"	1-11.5" NPT	0.71"
MFS2-6	4.81"	1.13"	1-1/4-11.5" NPT	0.98"



The **SERIES MFS & MFS2** Electromagnetic Flow Transmitters is a compact, 316 SS body, in line flowmeter with pulse and optional analog 4 to 20 mA output. It is available in a variety of flow ranges from 0.25 to 52.8 GPM (1 to 200 LPM) and process connection sizes of 1/2" and 1" NPT.

FEATURES/BENEFITS

- Long life cycle with no moving parts to wear or break
- Can be applied in applications dealing with contaminated media with no mechanical component in the flow
- Obstruction free pipe cross-section yields low pressure drop
- Unaffected by change in temperature, density, viscosity or concentration

APPLICATIONS

- Contaminated liquid flow monitoring
- Flow of conductive liquids
- Water & wastewater treatment
- Industrial systems
- Irrigation applications

SPECIFICATIONS

Service: Compatible, non-coating, conductive liquids.
Wetted Materials: Electrodes: 316 SS; Process connections: MFS: 316 SS; MFS2: PVDF; Measuring pipe: MFS: PEEK-GF30; Gasket: EPDM.
Accuracy: MFS: ±2% of reading; MFS2: ±1% or reading.
Repeatability: 1%.
Temperature Limits: MFS: Process: 32 to 194°F (0 to 90°C); Ambient: 41 to 158°F (5 to 70°C); MFS2: Process: 14 to 140°F (-10 to 60°C); Ambient: 41 to 140°F (5 to 60°C).
Pressure Limits: MFS: 232 psi (16 bar); MFS2: 145 psi (10 bar) @ 68°F (20°C); 116 psi (8 bar) @ 104°F (40°C); 87 psi (6 bar) @ 140°F (60°C).
Response Time: MFS: < 500 ms; MFS2: < 100 ms.
Power Requirements: 24 VDC ±10%.
Power Consumption: 0.6 W.
Output: Frequency; Square-wave, NPN or PNP; Analog: 4 to 20 mA.
Loop Resistance: 250 Ω.
Current Consumption: Max 80 mA.
Minimum Conductivity of Medium: 50 µS/cm.
Flow Indication: LED green, flow proportional blinking.
Enclosure Rating: NEMA 4 (IP65).
Process Connection: See model chart.
Electrical Connection: Plug connector M12x1.
Weight: MFS-1X: 1.5 lb (0.68 kg); MFS-2X: 1.7 lb (0.77 kg); MFS-3X: 1.9 lb (0.87 kg); MFS2-1, -2, -3, -4, -5: 8 oz (226.8 g); MFS2-6: 1 lb (0.45 kg).
Agency Approvals: CE.

Model	Range GPM (LPM)	Minimum Output Signal GPM (LPM)	Process Connection	Output
MFS-11	0.25 to 5.3 (1 to 20)	0.13 (0.5)	1/2" NPT	Frequency
MFS-21	0.5 to 10.5 (2 to 40)	0.25 (1)	1/2" NPT	Frequency
MFS-31	2.5 to 52.8 (10 to 200)	1.3 (5)	1" NPT	Frequency
MFS-12	0.25 to 5.3 (1 to 20)	0.13 (0.5)	1/2" NPT	Frequency & analog
MFS-22	0.5 to 10.5 (2 to 40)	0.25 (1)	1/2" NPT	Frequency & analog
MFS-32	2.5 to 52.8 (10 to 200)	1.3 (5)	1" NPT	Frequency & analog

Model	Range GPM (LPM)	Process Connection	Output
MFS2-1	0.07 to 1.3 (0.25 to 5)	1/2" male NPT	Frequency
MFS2-2	0.26 to 5.3 (1.0 to 20)	1/2" male NPT	Frequency
MFS2-3	0.66 to 13.2 (2.5 to 50)	3/4" male NPT	Frequency
MFS2-4	1.3 to 26.4 (5.0 to 100)	1" male NPT	Frequency
MFS2-5	2.6 to 52.8 (10 to 200)	1" male NPT	Frequency
MFS2-6	3.3 to 66.0 (12.5 to 250)	1-1/4" male NPT	Frequency

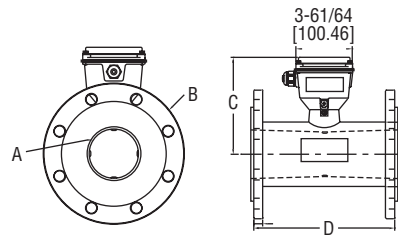
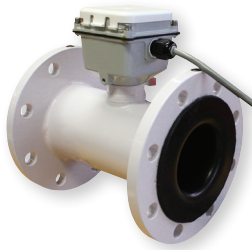
Model	Description
MFS-C3	4 pin cable socket M12x1 connect, 9.8 ft (3 m)
MFS-C5	4 pin cable socket M12x1 connect, 16.4 ft (5 m)
MFS-C10	4 pin cable socket M12x1 connect, 32.8 ft (10 m)





FLANGED ELECTROMAGNETIC FLOW SENSOR

No Moving Parts, Minimal Straight Pipe Requirement, Unobstructed Flow



Dimension	A	B	C	D
FLMG-04-XX-XXX-X	Ø 3.12" [Ø 79 mm]	9" [229 mm]	7" [178 mm]	10.24" [260 mm]
FLMG-06-XX-XXX-X	Ø 5.05" [Ø 128 mm]	11" [279 mm]	8.1" [206 mm]	12.27" [312 mm]
FLMG-08-XX-XXX-X	Ø 6.44" [Ø 164 mm]	13.5" [330 mm]	9.1" [231 mm]	14.24" [362 mm]
FLMG-10-XX-XXX-X	Ø 8.61" [Ø 219 mm]	16" [406 mm]	10.1" [257 mm]	18.18" [462 mm]

The **SERIES FLMG** Flanged Electromagnetic Flow Transmitters is a flanged, in-line flowmeter designed for use in 4 to 10" (10 to 25 cm) pipes. This series displays flow rate and total with selectable pulse rate output.

FEATURES/BENEFITS

- Long life cycle and less frequent maintenance with no moving parts to wear or break and electrodes that discourage fouling
- Minimum space requirement between the meter and a pipe elbow
- Rate and total indication are standard on large LCD display
- Obstruction free pipe cross-section yields low pressure drop
- Unaffected by change in temperature, density, viscosity or concentration
- Pulse output for use with a variety of displays and controllers for remote reading
- Backup battery power to provide auxiliary power during power failures

APPLICATIONS

- Contaminated liquid flow monitoring
- Flow of conductive liquids
- Water & wastewater treatment
- Industrial systems
- Irrigation applications
- Telemetry applications

SPECIFICATIONS

Service: Compatible non-coating conductive liquids.
Range: See chart.
Wetted Materials: Liner: Dual durometer rubber; Electrodes: 316 SS.
Accuracy: ±1% (10% to 100% of FS max. flow), ±2% (min. to 10% FS).
Temperature Limits: Process: 10 to 130°F (-12 to 54°C); Ambient: -40 to 158°F (-40 to 70°C).
Pressure Limits: 150 psi (10.3 bar).
Mounting Orientation: Horizontal or vertical.
Process Connection: 150# drilling ANSI flange.
Display: Rate: 5 digits; Total: 8 digits LCD.
Output: Current sinking square wave pulse, opto-isolated.

Power Requirements: 7 to 32 VDC @ 30 mA and (2) 3.6 V AA lithium metal batteries, installed and functional, user replaceable for backup power.
Battery Life: 2 months with power failure; 10 years with power.
Electrical Connection: #22 AWG, 3 conductor length (18' (5.5 m) (2000' max.)).
Conductivity: ≥20 microSiemens.
Empty Pipe Detection: Hardware/software, conductivity-based.
Enclosure Materials: Body: Epoxy-coated welded steel; Housing: Powder-coated diecast aluminum.
Enclosure Rating: NEMA 4X (IP66).
Weight: 4": 32 lb (14515 g); 6": 47 lb (21319 g); 8": 69 lb (31298 g); 10": 125 lb (56699 g).

ACCESSORIES

Series	Description
BAT	Blind analog transmitter; converts pulse output to 4 to 20 mA analog output; unit is loop powered, fits on the enclosure of the meter, and is field spannable. (BAT-W option only)
RTI	Rate total indicator; converts pulse output to 4 to 20 mA analog output with local flow rate and totalization display; unit is loop powered, can fit on the enclosure of the meter, and provides a high/low flow alarm. (RTI-P & RTI-W options only)
PWD	Pulse divider, for use with pacing electronic metering pumps; unit divides the input frequency to any number from 1 to 9999 with the use of rotary switches to suit a number of metering pump inputs. (See website)

MODEL CHART

Example	FLMG	-04	-GM	-GAL	-H	-15	FLMG-04-GM-GAL-H-15
Series	FLMG						Flanged electromagnetic flow sensor
Power/Size		04 06 08 10					DC powered 4" pipe DC powered 6" pipe DC powered 8" pipe DC powered 10" pipe
Rate/Measurement			GM LM LS FM MH GD LD				Gallon/minute Liter/minute Liter/second Cubic foot/minute Cubic meter/day Million gallon/day Mega liter/day
Total Measurement				GAL GLX LIT LTX MLT CMT CMX CFT CFX			Gallon Gallon x 1000 Liter Liter x 1000 Mega liter Cubic meter Cubic meter x 1000 Cubic feet Cubic feet x 1000
Pulse Rate					H 1 2 4		High frequency* required with use with Series BAT and RTI 10 units*/pulse 100 units*/pulse 1000 units*/pulse
Options						15 30 45 60 DL	Factory-installed power/output cable, 15 m (50 ft)** Factory-installed power/output cable, 30 m (100 ft)** Factory-installed power/output cable, 45 m (150 ft)** Factory-installed power/output cable, 60 m (200 ft)** Internal data logger

*Units: Gal or liter depending on (rate/total unit) selection rate measurement

**20-foot (6 m) cable standard

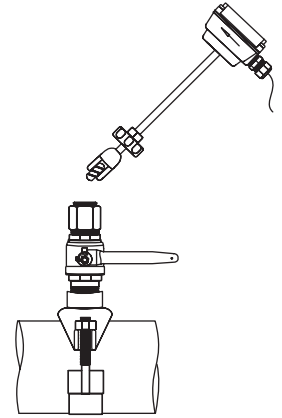
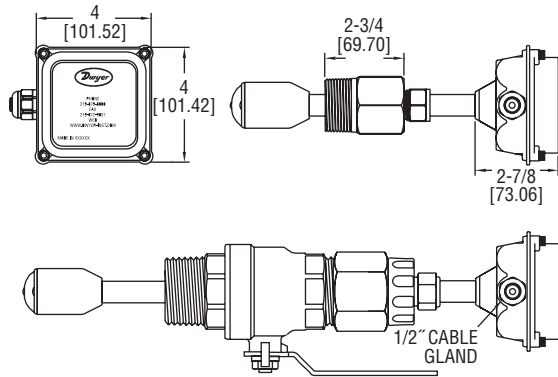
***Display is standard

	4"		6"		8"		10"	
	Gal/Min	Liter/Sec	Gal/Min	Liter/Sec	Gal/Min	Liter/Sec	Gal/Min	Liter/Sec
Minimum	12	.75	32	2	60	3.8	95	6
Maximum	500	31.5	1200	75.7	2200	138.8	3500	220.8



INSERTION ELECTROMAGNETIC FLOW SENSOR

No Moving Parts, Hot-Tap Option, 3 to 48" Field Adjustable Insertion



Hot-Tap Option

Hot-Tap Option
(Shown installed on pipe)



Scan here to watch product video

The **SERIES IEFS** Insertion Electromagnetic Flow Transmitters is an adjustable, insertion flowmeter designed for use in 3 to 48" (7.6 to 122 cm) pipes. This series provides a pulse rate output of the flow.

FEATURES/BENEFITS

- Long life cycle and less frequent maintenance with no moving parts to wear or break and electrodes that discourage fouling
- Unaffected by change in temperature, density, viscosity or concentration
- Pulse output for use with a variety of displays and controllers for remote reading
- Easy meter mount display and transmitter accessories for local indication and analog 4 to 20 mA output

APPLICATIONS

- Contaminated liquid flow monitoring
- Flow of conductive liquids
- Water & wastewater treatment
- Industrial systems
- Irrigation applications
- Telemetry applications

The **SERIES SDF** Saddle Fitting are available for pipe sizes ranging from 3 to 24" and securely attach Series IPFS, IEFS or any other 1-1/2" or 2" size connection to the process application. Fittings are available in PVC, ductile iron, and bronze materials.

FEATURES/BENEFITS

- Simple installation with provided O-rings

APPLICATIONS

- Irrigation
- Ground water remediation
- Cooling systems
- Pump protection
- Leak detection
- Filtration systems

SPECIFICATIONS

Service: Compatible clean or dirty non-coating, conductive liquids.
Range: 0.28 to 20 ft/s (0.08 to 6.09 m/s).
Wetted Materials: Body shaft/fitting: 316 SS or brass; Electrodes: Hastelloy®; Electrode cap: PVDF; Valve assembly: (IEFS-1XX) Bronze (SS optional) with bronze ball valve; O-ring: EPDM.
Accuracy: ±1% FS.
Temperature Limits: Process: 32 to 200°F (0 to 93°C); Ambient: 0 to 160°F (-17 to 72°C).
Process Connection: IEFS-0XX: 1-1/2" male NPT; IEFS-1XX: 2" male NPT.

Pressure Limit: 200 psi (13.8 bar).
Output: Current sinking, square wave pulse, opto-isolated, 550 Hz @ 20 ft/s, 30 VDC @ 6 mA max.
Power Requirements: 12 to 25 VDC @ 250 mA; Low Power: 12 to 25 VDC @ 40 mA.
Electrical Connection: Terminal block.
Conductivity: ≥ 20 microSiemens/cm.
Enclosure Material: Housing: Die-cast powder-coated aluminum.
Enclosure Rating: NEMA 4X (IP66).
Weight: IEFS-0SX: 6 lb (2721 g); IEFS-0LB: 12 lb (5443 g); IEFS-1XX: 15 lb (6804 g).

ACCESSORIES

Series	Description
BAT	Blind analog transmitter; converts pulse output to 4 to 20 mA analog output; unit is loop powered, fits on the enclosure of the meter, and is field spannable.
RTI	Rate total indicator; converts pulse output to 4 to 20 mA analog output with local flow rate and totalization display; unit is loop powered, can fit on the enclosure of the meter, and provides a high/low flow alarm.
PWD	Pulse divider, for use with pacing electronic metering pumps; unit divides the input frequency to any number from 1 to 9999 with the use of rotary switches to suit a number of metering pump inputs. (See website)

MODEL CHART																															
Example	IEFS	-OSB	-BAF	IEFS-OSB-BAF																											
Series	IEFS			Insertion electromagnetic flow sensor																											
Size/Material		OSB OSS 0LB 0LS 1SB 1SS 1LB 1LS		<table border="1"> <thead> <tr> <th>Size</th> <th>Hot-Tap</th> <th>Material</th> </tr> </thead> <tbody> <tr> <td>3 to 10"</td> <td>No hot-tap</td> <td>Brass</td> </tr> <tr> <td>3 to 10"</td> <td>No hot-tap</td> <td>SS</td> </tr> <tr> <td>10 to 48"</td> <td>No hot-tap</td> <td>Brass</td> </tr> <tr> <td>10 to 48"</td> <td>No hot-tap</td> <td>SS</td> </tr> <tr> <td>3 to 10"</td> <td>Hot-tap</td> <td>Brass</td> </tr> <tr> <td>3 to 10"</td> <td>Hot-tap</td> <td>SS*</td> </tr> <tr> <td>10 to 48"</td> <td>Hot-tap</td> <td>Brass</td> </tr> <tr> <td>10 to 48"</td> <td>Hot-tap</td> <td>SS*</td> </tr> </tbody> </table>	Size	Hot-Tap	Material	3 to 10"	No hot-tap	Brass	3 to 10"	No hot-tap	SS	10 to 48"	No hot-tap	Brass	10 to 48"	No hot-tap	SS	3 to 10"	Hot-tap	Brass	3 to 10"	Hot-tap	SS*	10 to 48"	Hot-tap	Brass	10 to 48"	Hot-tap	SS*
Size	Hot-Tap	Material																													
3 to 10"	No hot-tap	Brass																													
3 to 10"	No hot-tap	SS																													
10 to 48"	No hot-tap	Brass																													
10 to 48"	No hot-tap	SS																													
3 to 10"	Hot-tap	Brass																													
3 to 10"	Hot-tap	SS*																													
10 to 48"	Hot-tap	Brass																													
10 to 48"	Hot-tap	SS*																													
Options				BAT Blind analog transmitter RTI Rate total indicator BAF 2" brass adapter fittings (IEFS-0XX only) SAF 2" SS adapter fittings (IEFS-0XX only) SVA 316 SS valve assembly (IEFS-1XX only) NVA No valve assembly (deduct price) (IEFS-1XX only) RFO Reverse flow output BPT 1-1/2" brass BPT adapter (2 piece) (IEFS-0XX only) SPT 1-1/2" SS BPT adapter (2 piece) (IEFS-0XX only) IMM Immersible (urethane potted electrical components) LOP Low power (12 to 25 VDC @ 40 mA) EXT 12" extension (IEFS-XLX only)																											

*SS is stem and fitting. For SS valve order SVA option.

MODEL CHART					
Example	SDF	-I	-03	-15	SDF-I-03-15
Series	SDF				Saddle fittings
Material		I			Iron
Pipe Size			03 06 08 10 12 14 16 18 20 22 24		3" 6" 8" 10" 12" 14" 16" 18" 20" 22" 24"
Thread Size				15 20	For Series IEFS, IPFS, TBS non hot-tap models (1-1/2" male NPT) For Series IEFS, IPFS, TBS hot-tap models (2" male NPT)

MODEL CHART			
Stocked Model	Description	Pipe Size	Material
IEFS-0SB	Adjustable insertion electromagnetic flow sensor	3 to 10"	Brass
IEFS-0SS	Adjustable insertion electromagnetic flow sensor	3 to 10"	SS

Hastelloy® is a registered trademark of Hanes International

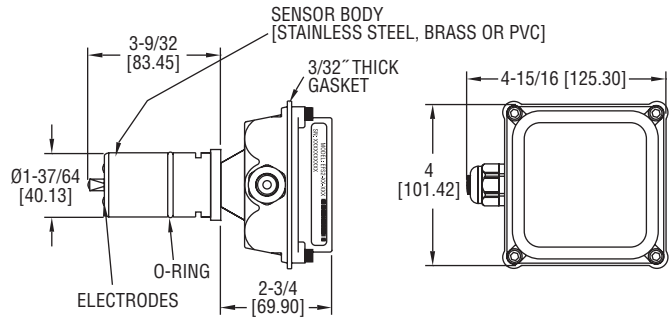
See page 192 (Series BAT)
 See page 192 (Series RTI)

INSERTION ELECTROMAGNETIC FLOW SENSOR

No Moving Parts, Durable, Easy Installation & Maintenance



Scan here to watch product video



The **SERIES EFS2** Insertion Electromagnetic Flow Transmitters is an economical, fixed insertion flowmeter designed for use with the Series EFF fittings and tees to fit in pipe sizes ranging from 1 to 12" (2.5 to 30.5 cm) pipes. This series provides a pulse rate output of the flow.

FEATURES/BENEFITS

- Long life cycle and less frequent maintenance with no moving parts to wear or break and electrodes that discourage fouling
- Unaffected by change in temperature, density, viscosity or concentration
- Pulse output for use with a variety of displays and controllers for remote reading
- Easy meter mount display and transmitter accessories for local indication and analog 4 to 20 mA output

APPLICATIONS

- Contaminated liquid flow monitoring
- Flow of conductive liquids
- Water & wastewater treatment
- Industrial systems
- Irrigation applications
- Telemetry applications

MODEL CHART				
Example	EFS2	-1P	-RFO	EFS2-1P-RFO
Series	EFS2			Insertion electromagnetic flow sensor
Size/ Material		1P 1B 1S 2P 2B 2S 3P 3B 3S		1 to 3" pipe, PVC 1 to 3" pipe, brass 1 to 3" pipe, 316 SS 4 to 10" pipe, PVC 4 to 10" pipe, brass 4 to 10" pipe, 316 SS 12" pipe, PVC 12" pipe, brass 12" pipe, 316 SS
Options			BAT RTI RFO IMM FOR LOP	Blind analog transmitter Rate total indicator Reverse flow output Immersible (urethane potted electrical connection) Fluoroelastomer O-ring Low power (12 to 25 VDC @ 40 mA) (max 250 mA)

Note: Need to purchase with Series EFF fitting for proper installation.

MODEL CHART			
Stocked Model	Description	Pipe Size	Material
EFS2-1P	Insertion electromagnetic flow sensor	1 to 3"	PVC
EFS2-1B	Insertion electromagnetic flow sensor	1 to 3"	Brass
EFS2-1S	Insertion electromagnetic flow sensor	1 to 3"	SS
EFS2-2B	Insertion electromagnetic flow sensor	4 to 10"	Brass
EFS2-3B	Insertion electromagnetic flow sensor	12"	Brass

SPECIFICATIONS

Service: Compatible clean or dirty non-coating, conductive liquids.
Range: 0.28 to 20 ft/s (0.08 to 6.09 m/s).
Wetted Materials: Sensor: 316 SS, brass or PVC; Electrodes: Hastelloy®, metal; Electrode Cap: PVDF; O-ring: EPDM (fluoroelastomer optional).
Accuracy: ±1% FS.
Temperature Limits: Process: Brass/SS: 32 to 200°F (0 to 93°C); PVC: 32 to 130°F (0 to 55°C); Ambient: 0 to 160°F (-17 to 72°C).
Pressure Limits: Brass/SS: 200 psi (13.8 bar); PVC: 150 psi (10 bar).
Process Connection: See page reference below.
Output: Current sinking, square wave pulse, opto-isolated, 550 Hz @ 20 ft/s.
Power Requirements: 12 to 25 VDC @ 250 mA; (12 to 25 VDC @ 40 mA (max. 250 mA) - LOP option).
Electrical Connection: Terminal block.
Conductivity: 20 microSiemens/cm.
Enclosure Material: Housing: Die-cast powder-coated aluminum.
Enclosure Rating: NEMA 4X (IP66).
Weight: 3 lb (1361 g).

ACCESSORIES

Series	Description
BAT	Blind analog transmitter; converts pulse output to 4 to 20 mA analog output; unit is loop powered, fits on the enclosure of the meter, and is field spannable.
RTI	Rate total indicator; converts pulse output to 4 to 20 mA analog output with local flow rate and totalization display; unit is loop powered, can fit on the enclosure of the meter, and provides a high/low flow alarm.
PWD	Pulse divider, for use with pacing electronic metering pumps; unit divides the input frequency to any number from 1 to 9999 with the use of rotary switches to suit a number of metering pump inputs. (See website)

Hastelloy® is a registered trademark of Hanes International

- **Process Connection:** See page 182 (Series EFF)
- **See page 192 (Series BAT)**
- **See page 192 (Series RTI)**



FITTINGS AND TEES

Saddles, Tees & Weld/Braze Fittings for Series EFS2



EFF-S-PXX



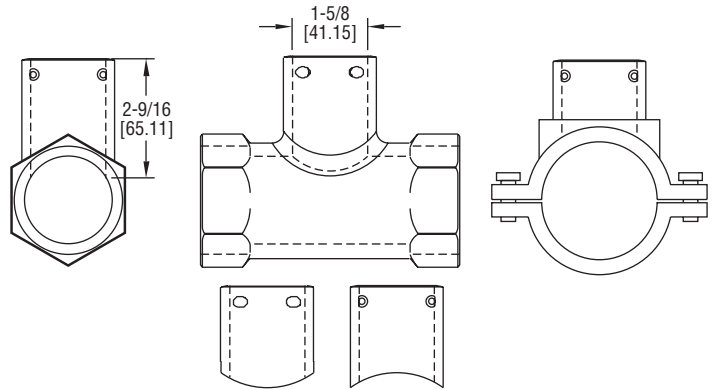
EFF-S-BXX



EFF-S-DXX



EFF-T-SFT-SS



The **SERIES EFF** Fittings & Tees is to be used with the Series EFS2 Insertion Electromagnetic Flow Sensors. The Series EFF allows for accurate sensor insertion of the Series EFF in a wide range of pipe sizes. These fittings and tees are available in bronze, 304 SS, 316 SS, and PVC, further expanding application prospects.

FEATURES/BENEFITS

- Multiple end connections are available to allow for easy installation in a variety of applications

APPLICATIONS

- Contaminated liquid flow monitoring
- Flow of conductive liquids
- Water & wastewater treatment
- Industrial systems
- Irrigation applications
- Telemetry applications

SPECIFICATIONS

- Service:** Compatible liquids.
- Wetted Materials:** See model chart.
- Temperature Limits:** Flow meter dependent.
- Pressure Limits:** Flow meter dependent.
- Connections:** 1/2 to 12".
- Weight:** Consult factory.

Flow Transmitters, Electromagnetic, Fixed Insertion

MODEL CHART - TEE FITTING		EFS2-1XX				
Model	Description	1"	1-1/2"	2"	3"	4"
		-0100	-0150	-0200	-0300	-0400
EFF-T-BFT	Bronze/female thread	X	X	X	X	X
EFF-T-BFS	Bronze/female sweat (for copper tubing)	X	X	X	X	X
EFF-T-PME	PVC/male stub end	X	X	X		
EFF-T-CFT	Carbon steel/female thread	X	X	X		
EFF-T-SFT	304 SS/female thread	X	X	X		
-SS	All 316 SS option	X	X	X		

MODEL CHART - SADDLE FITTING		EFS2-1XX		EFS2-2XX			EFS2-3XX
Model	Description	3"	4"	6"	8"	10"	12"
		-0300	-0400	-0600	-0800	-1000	-1200
EFF-S-DXX	Ductile iron	X	X	X	X	X	X
EFF-S-PXX	PVC (See note 2)	X	X	X	X		
EFF-S-BXX	Bronze	X	X				
-LPS	Installed on 16" long pipe stub option (PVC only)	X	X	X	X		

MODEL CHART - WELD/BRAZE FITTING		EFS2-1XX		EFS2-2XX			EFS2-3XX
Model	Description	3"	4"	6"	8"	10"	12"
		-0300	-0400	-0600	-0800	-1000	-1200
EFF-W-BXX	Bronze	X	X	X	X	X	X
EFF-W-CXX	Carbon steel	X	X	X	X	X	X
EFF-W-SXX	316 SS	X	X	X	X	X	X

Example: EFF-T-CFT-0100-SS

To order an all 316 SS female thread 1" tee for Series EFS2-1XX Electromagnetic Flow Sensor.

ULTRASONIC FLOWMETER SET

Excellent Performance, Easy Operation and Data Logging Option



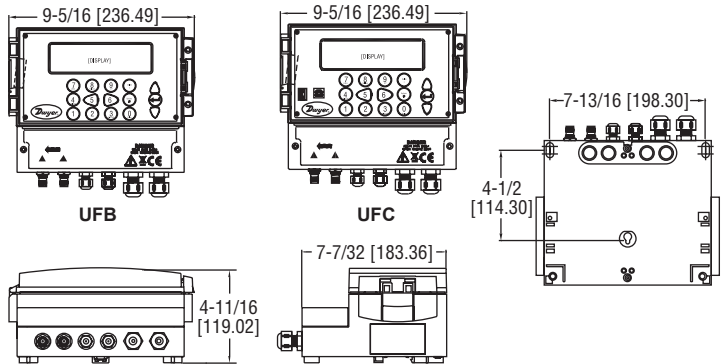
Scan here to watch product video



UFB



UFC



The **SERIES UFB & UFC** Ultrasonic Flowmeter Sets utilize the transit-time difference for measuring flow rates in pipes. These units are permanent mount, where the converters can be mounted on a surface or pipe with a 4 to 20 mA and pulse output capabilities for pipe sizes from 1/2 to 79" (13 to 2000 mm). The Series UFC offers the same features plus data logging capability.

FEATURES/BENEFITS

- Non-invasive pipe measurement
- Easy-to-use compact and lightweight design, intended for homogeneous liquids that contain no air
- Simple installation with all necessary components included such as converter, sensor, cables and mounting accessories
- Sturdy IP65 rating, protecting it from dust and direct water contact

APPLICATIONS

- Water treatment
- Industrial systems
- Irrigation applications
- Treated water flow
- River water
- Sea water
- Potable water
- Demineralized water
- Glycol/Water mix
- Hydraulic system
- Diesel oil
- Water use data logging

KIT INCLUDES

- Converter
- Set of transducers
- Ruled guide rail
- Steel banding
- Banding clips
- Set of transducer cables
- Set of high temperature interface cables
- Ultrasonic coupling grease

MODEL CHART - STANDARD VERSION		
Model	Pipe Size Range in (mm)	Power Supply
UFB-122	0.5 to 4.5 (13 to 115)	86 to 264 VAC
UFB-123	2 to 79 (50 to 2000)	86 to 264 VAC
UFB-222	0.5 to 4.5 (13 to 115)	24 VAC/VDC
UFB-223	2 to 79 (50 to 2000)	24 VAC/VDC

MODEL CHART - DATA LOGGING VERSION		
Model	Pipe Size Range in (mm)	Power Supply
UFC-122	0.5 to 4.5 (13 to 115)	86 to 264 VAC
UFC-123	2 to 79 (50 to 2000)	86 to 264 VAC
UFC-222	0.5 to 4.5 (13 to 115)	24 VDC/VAC
UFC-223	2 to 79 (50 to 2000)	24 VDC/VAC

SPECIFICATIONS

Service: Homogeneous liquids that do not contain more than 3% of air bubbles or particulate and capable of ultrasonic wave propagation.

Inputs: TNC cable from sensors.

Range: 0.33 to 33 ft/s (0.1 to 10 m/s).

Display: 240 x 64 pixel graphic display, high contrast black on white with backlight; Languages: English, French, German, Swedish, Italian, Spanish, Portuguese, Russian, Norwegian, and Dutch; 5" W x 1.3" H (5 x 33.02 mm).

Accuracy: ±0.5 to ±2% of flow reading of flow rate > 0.03 ft/s (0.01 m/s) and pipe OD > 3.0 in (75 mm); ±3% of flow reading for flow rate > 0.03 ft/s (0.01 m/s) and pipe OD 0.5 to 3 in (13 to 75 mm); ±6% of flow reading for flow rate < 0.03 ft/s (0.01 m/s).

Power Requirements: 86 to 264 VAC (50 to 60 Hz) or 24 VAC/VDC (1 A max).

Power Consumption: 10.5 W.

Temperature Limits: Transducer: -4 to 275°F (-20 to 135°C); Controller: -4 to 122°F (-20 to 50°C).

Outputs: Analog 1 opto-isolated output: 4 to 20 mA, 0 to 16 mA or 0 to 20 mA (selectable); Error current: 0 to 26 mA (selectable); Load resistance: 620 Ω max; Alarm: 2 opto-isolated MOSFET NO relays, 48 V at 500 mA, maximum 200 Hz; Pulsed: 1 opto-isolated MOSFET relay, 48 V at 500 mA, 1 to 250 pps; Pulse width: 2 to 500 ms (selectable).

Serial Communications: USB (UFC only).

Enclosure Rating: IP65 when using TNC connector; Transducers IP54.

Materials: Plastic ABS and aluminum.

Repeatability: ±0.5 % of measured value or 0.03 ft/s (0.01 m/s).

Electrical Connections: Removable screw-in type terminal block.

Mounting: Wall mounted using 3 type M4 screws.

Turbidity: < 3 % by volume of particulate content.

Permissible Air Content: < 3% by volume.

Response Time: < 500 ms.

Weight: Unit not including accessories: 2.80 lb (1.26 kg); Unit including accessories: 9.92 lb (4.5 kg).

Agency Approvals: CE.

ADDITIONAL SPECIFICATIONS

Applicable Pipe Material: Carbon steel, SS, copper, UPVC/PVDF, concrete, mild steel, glass, brass.

Applicable Pipe Lining: Rubber, glass, concrete, epoxy, steel, other*.

Pipe Wall Thickness: 0.04 to 3" (1 to 75 mm).

Pipe Lining Thickness: < 1" (< 25 mm).

*Selectable option for special material with known propagation rate of lining material.

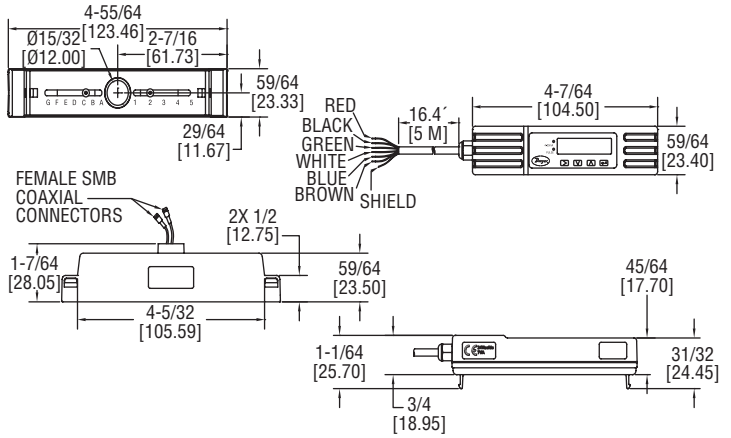
OPTION	
Use order code:	Description
NISTCAL-FU	NIST traceable calibration certificate

COMPACT ULTRASONIC FLOWMETER

Cost Effective, Compact & Adjustable Design, Non-Invasive



Scan here to watch product video



The **MODEL UFM** Compact Ultrasonic Flowmeters is an economical, clamp-on, ultrasonic flowmeter. The Model UFM implements the transit-time difference to measure flow rates in pipes and can measure velocity and flow in pipes with outside diameters ranging from 0.98 to 4.62" (24.89 to 117.35 mm). This model comes with a volume pulse and 4 to 20 mA flow rate output.

FEATURES/BENEFITS

- Non-invasive pipe measurement
- Simple installation with all necessary components included such as converter, sensor, cables and mounting accessories
- Compact and lightweight design, featuring an easily installed, all in one clamp-on unit intended for homogeneous liquids that contain no air
- Screen offers easy to read text displaying both flow rate and total with a convenient backlight for visual comfort

APPLICATIONS

- Flow measurement for heat metering
- Chilled water metering & monitoring
- Potable water metering & monitoring
- Process water metering & monitoring

KIT INCLUDES

- Converter with adjustable guiderail
- Set of 1.81 to 2.75" (46 to 70 mm) clamps
- Set of 2 to 5" (51 to 127 mm) clamps
- Set of small pipe adaptor circle clamps
- Set of small pipe adaptor V clamps
- Ultrasonic coupling grease

SPECIFICATIONS

Service: Clean water with < 3% by volume of particulate content.
Range: 0.33 to 32.8 ft/s (0.1 to 10 m/s).
Display: Backlit: 3.27" H x 0.74" W (83.1 mm x 18.8 mm), 2 line x 16 characters.
Accuracy: ±3% of flow reading for > 0.98 ft/s (> 0.3 m/s).
Power Requirements: 12 to 24 VDC or VAC.
Power Consumption: 7 W max.
Temperature Limits: Process: 32 to 185°F (0 to 85°C); Ambient: 32 to 122°F (0 to 50°C).
Outputs: Analog: 1 opto-isolated: 4 to 20 mA; Error current: 3.5 mA; Load resistance: 620 Ω max; Pulse: 1 opto-isolated MOSFET relay, 500 mA max, 166 pps max, 200 Hz max.

Enclosure Rating: IP54.
Enclosure Material: Plastic polycarbonate.
Repeatability: ±0.5% of measured value.
Electrical Connections: 16.4" (5 m) cable.
Response Time: < 1 s.
Weight: 2.9 lb (1.315 kg).
Agency Approvals: CE.

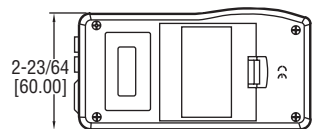
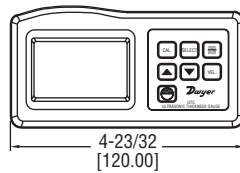
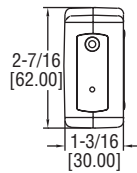
ADDITIONAL SPECIFICATIONS
Applicable Pipe Material: Steel, copper, or plastic.
Pipe Outside Diameter: 0.98 to 4.62" (24.89 to 117.35 mm).
Applicable Pipe Lining: None.
Pipe Wall Thickness: 0.02 to 0.39" (0.5 to 10 mm).

MODEL CHART	
Model	Description
UFM-1	Compact ultrasonic flowmeter

OPTION	
Use order code:	Description
NISTCAL-FU	NIST traceable calibration certificate

ULTRASONIC THICKNESS GAGE

Ideal For Use with Ultrasonic Flow Transmitters, Adjustable Sound Velocity



The **MODEL UTG** Ultrasonic Thickness Gages measures the thickness of a variety of materials. The UTG works on a variety of parallel surface material ranging from 0.05 to 7.9" (1.2 to 200 mm).

FEATURES/BENEFITS

- Non-invasive thickness measurement
- Reads in inches or millimeters and features an adjustable sound velocity to allow for an array of materials to be measured
- Allows the user to find the wall thickness of the pipe when programming an ultrasonic transmitter without cutting or removing a section of the pipe to measure it
- Ideal for monitoring corrosion in closed vessels such as boilers and chemical tanks and with any ultrasonic flow transmitter

APPLICATIONS

- Pipe thickness measurement
- Finding wall thickness
- Monitoring corrosion in closed vessels
- Industrial applications
- Automotive
- HVAC
- Plumbing

SPECIFICATIONS

Service: Steel, cast iron, aluminum, red copper, brass, zinc, quartz glass, polyethylene, PVC, gray cast iron, nodular cast iron, other. Selectable option for special materials with known sound propagation rate.
Range: 0.047 to 7.874" (1.2 to 200 mm).
Accuracy: ±0.5%.
Resolution: 0.001" / 0.1 mm.
Sound Velocity: 1118 to 20132 mph (500 to 9000 m/s).

Temperature Limits: 32 to 122°F (0 to 50°C).
Humidity Limit: < 80%.
Display: 4 digits, 0.394" (10 mm) LCD.
Power Requirement: (4) 1.5 V AAA alkaline batteries, not included, user replaceable.
Weight: 5.78 oz (164 g).
Agency Approvals: CE.

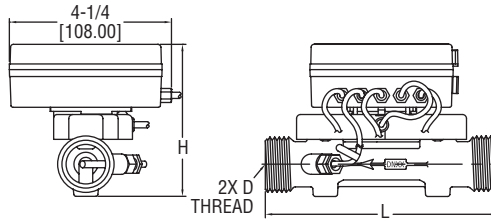
MODEL CHART	
Model	Description
UTG	Ultrasonic thickness gage

ULTRASONIC ENERGY METER

Flow & Temperature Monitoring Capability, Modbus® & BACnet Communication



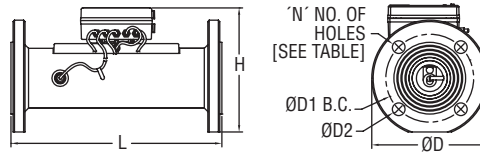
TUF-150/400



DIMENSIONS in [mm]			
Model	L	D	H
TUF-150-XX	4-21/64 [110.00]	G3/4B	3-31/32 [101.00]
TUF-200-XX	5-1/8 [130.00]	G1B	3-31/32 [101.00]
TUF-250-XX	6-19/64 [160.00]	G11/4B	4-11/64 [106.00]
TUF-320-XX	7-3/32 [180.00]	G11/2B	4-29/64 [113.00]
TUF-400-XX	7-7/8 [200.00]	G2B	4-49/64 [121.00]



TUF-500



DIMENSIONS in [mm]						
Model	L	ØD	H	ØD1	ØD2	N
TUF-500-XX	11-13/16 [300.00]	6-1/2 [165.00]	6-57/64 [175.00]	4-59/64 [125.00]	45/64 [18.00]	4

The **SERIES TUF** Ultrasonic Energy Meter is a highly accurate and stable energy meter that utilizes ultrasonic technology to measure heating and cooling energy consumption. The Series TUF is a compact meter with a flowmeter and energy calculator in one, making it great for installation on chillers and boilers.

FEATURES/BENEFITS

- Lower maintenance costs with local parameter display and no moving parts
- Serial communication output allows for easy transfer of data
- Flow and temperature monitor in one unit eliminates the need for multiple units

APPLICATIONS

- Heat metering
- Utilities billing
- Tenant billing
- Monitoring of water heating or cooling: radiators, fan coils

INSTRUCTIONS FOR ORDERING

- Choose 1 ultrasonic energy meter model
 - Choose 2 pipe fitting models given the appropriate fitting size (for DN15 to DN40 only)*
- Example:** TUF-150-MD, Fitting Size: A, select pipe fitting Model WM-ACC-C01 or WM-ACC-C11.

SPECIFICATIONS

Service: Clean, compatible liquids.
Wetted Materials: Brass and 316L SS.
Range: See chart.
Display: 8-digit LED.
Accuracy: BTU: EN1434/CJ128 Class 2; Flow: ±(2+(0.02 Qp / Q))%; Temperature: ±0.1°C.
Power Requirements: 24 VAC/VDC or 3.6 V ER26500 lithium metal battery, user supplied and installed, battery acts as back-up if power is lost.
Power Consumption: 1 W.
Temperature Limits: Ambient: 41 to 131°F (5 to 55°C); Process: 36 to 203°F (2 to 95°C).
Humidity Limit: < 93%.

Pressure Limits: 232 psi (16 bar) for DN15 to DN40; 362 psi (25 bar) for >DN50.
Pressure Drop: < 1.5 psi (10 kPa).
Process Connection: See chart.
Serial Communications: Modbus® RTU or BACnet® MSTP (selectable)**.
Enclosure Rating: IP65.
Enclosure Material: Plastic.
Repeatability: Flowmeter: 1%.
Electrical Connections: 3 ft (0.91 m) 4x0.2 mm2 cable with terminal block.
Flow Direction: Unidirectional.
Mounting Orientation: Horizontal or vertical.
Weight: See chart.
Agency Approvals: CE.

**M-BUS available upon request.

Ultrasonic Energy Meter Model	Body Size†	Pipe Size		Fitting Size	Communication	Meter Connection	GPM (LPM)			Weight lb (kg)
		in	mm				Min Flow (Qi)	Nominal Flow Range (Qp)	Max Flow (Qs)	
TUF-150-MD	DN15	1/2	15	A	Modbus®	G-3/4	0.1 (0.5)	6.6 (25)	13 (50)	3.1 (1.4)
TUF-200-MD	DN20	3/4	20	B	Modbus®	G1	0.2 (0.8)	11 (42)	22 (83)	3.1 (1.4)
TUF-250-MD	DN25	1	25	C	Modbus®	G1-1/4	0.3 (1.2)	15 (58)	31 (117)	4.1 (1.8)
TUF-320-MD	DN32	1-1/4	32	D	Modbus®	G1-1/2	0.5 (2)	26 (100)	53 (200)	5.2 (2.3)
TUF-400-MD	DN40	1-1/2	40	E	Modbus®	G2	0.9 (3)	44 (167)	88 (333)	6.6 (3)
TUF-500-MD*	DN50	2	50	-	Modbus®	Flange	1.3 (5)	66 (250)	132 (500)	33 (15)
TUF-150-BN	DN15	1/2	15	A	BACnet	G-3/4	0.1 (0.5)	6.6 (25)	13 (50)	3.1 (1.4)
TUF-200-BN	DN20	3/4	20	B	BACnet	G2	0.2 (0.8)	11 (42)	22 (83)	3.1 (1.4)
TUF-250-BN	DN25	1	25	C	BACnet	G1-1/4	0.3 (1.2)	15 (58)	31 (117)	4.1 (1.8)
TUF-320-BN	DN32	1-1/4	32	D	BACnet	G1-1/2	0.5 (2)	26 (100)	53 (200)	5.2 (2.3)
TUF-400-BN	DN40	1-1/2	40	E	BACnet	G2	0.9 (3)	44 (167)	88 (333)	6.6 (3)
TUF-500-BN*	DN50	2	50	-	BACnet	Flange	1.3 (5)	66 (250)	132 (500)	33 (15)

*A pipe fitting is required to use the DN15 to DN40 energy meters. The DN50 has a flange connection and does not require a pipe fitting.
 †For additional sizes up to 8" (203.2 mm) contact factory.

Fitting Size	Pipe Fitting Model*	Process Connection Size	Weight lb (kg)
A	WM-ACC-C01	1/2" NPT	0.6 (0.3)
A	WM-ACC-C11	1/2" BSPT	0.6 (0.3)
B	WM-ACC-C02	3/4" NPT	1.2 (0.5)
B	WM-ACC-C12	3/4" BSPT	1.2 (0.5)
C	WM-ACC-C03	1" NPT	1.8 (0.8)
C	WM-ACC-C13	1" BSPT	1.8 (0.8)
D	WM-ACC-C04	1-1/4" NPT	2.3 (1.1)
D	WM-ACC-C14	1-1/4" BSPT	2.3 (1.1)
E	WM-ACC-C05	1-1/2" NPT	4.4 (2)
E	WM-ACC-C15	1-1/2" BSPT	4.4 (2)

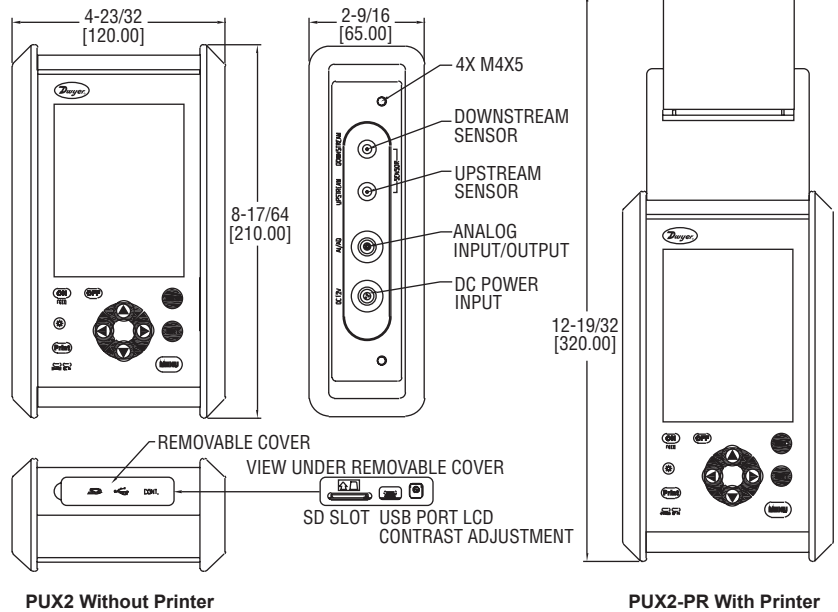
*Each model includes 1 fitting.

Modbus® is a registered trademark of Schneider Automation, Inc.



PORTABLE ULTRASONIC FLOWMETER CONVERTER

Data Logging and BTU Capability



The **SERIES PUX2** Portable Ultrasonic Flowmeter Converters is paired with Series PSX2 sensors in order to utilize the transit-time difference for measuring flow rates in pipes from the outside in a portable unit. Unit is provided in a case and offers a 4 to 20 mA output and RS-485 serial communication.

FEATURES/BENEFITS

- Thermal flow rate (BTU) function with two temperature inputs for energy audits
- Non-invasive pipe measurement
- Compact and lightweight instrument incorporating the latest electronics and digital signal processing technologies, realizing high performance and easy operation
- Portable unit is capable of 12 hours of continuous operation with its built-in battery requiring only 3 hours to recharge
- SD memory card slot for recording data (Note: SD memory card, not included.)
- Large type color graphic LCD with flow rate, flow velocity, and flow totalization functions
- Designed for high accuracy and high-speed response
- Rugged NEMA 3X enclosure allows exposure to rain, while the efficient layout of the function keys aid the user with easy page selection and setting changes
- Built in USB port allows for easy connection to a personal computer

APPLICATIONS

- Water treatment
- Industrial systems
- Irrigation applications
- Treated water flow
- River water
- Sea water
- Potable water
- Demineralized water
- Glycol/water mix
- Hydraulic system
- Diesel oil

SPECIFICATIONS

Service: Homogeneous liquids (water, sea water, oil, and fluid of unknown velocity) capable of ultrasonic wave propagation.

Inputs: BNC connector, coaxial cable from flow sensor. Two 4-20 mA DC, or one 4-20 mA DC and one 1 to 5 V DC.

Range: 1 to ± 105 fps (0.3 to ± 32 m/s).

Display: LCD 240 x 320 dot (with backlight).

Accuracy: $\pm 1.0\%$ of rate.

Power Requirements: 3 V BR2330 lithium metal battery, internal, factory replaceable and TK7N6384 lithium ion battery (continuous operations time: 12 hours without printer and back light off; recharging time: 3 hours, power adapter used) installed functional, user replaceable.

Power Consumption: 3 W.

Power Adapter: Special type power adapter 90 to 264 VAC, 50/60 Hz.

Power Failure Backup: Memory backup with lithium battery (effective term, 10 years).

Temperature Limits: Ambient 131°F (55°C) without printer; 113°F (45°C) with printer.

Output: 4 to 20 mA DC, 1 point (load resistance, 0 to 600 Ω).

Serial Communications: RS-485, 1 point.

Enclosure Rating: NEMA 3X (IP54) (without printer).

Material: Plastic case.

Weight: 2.2 lb (1 kg) without printer; 2.65 lb (1.2 kg) with printer.

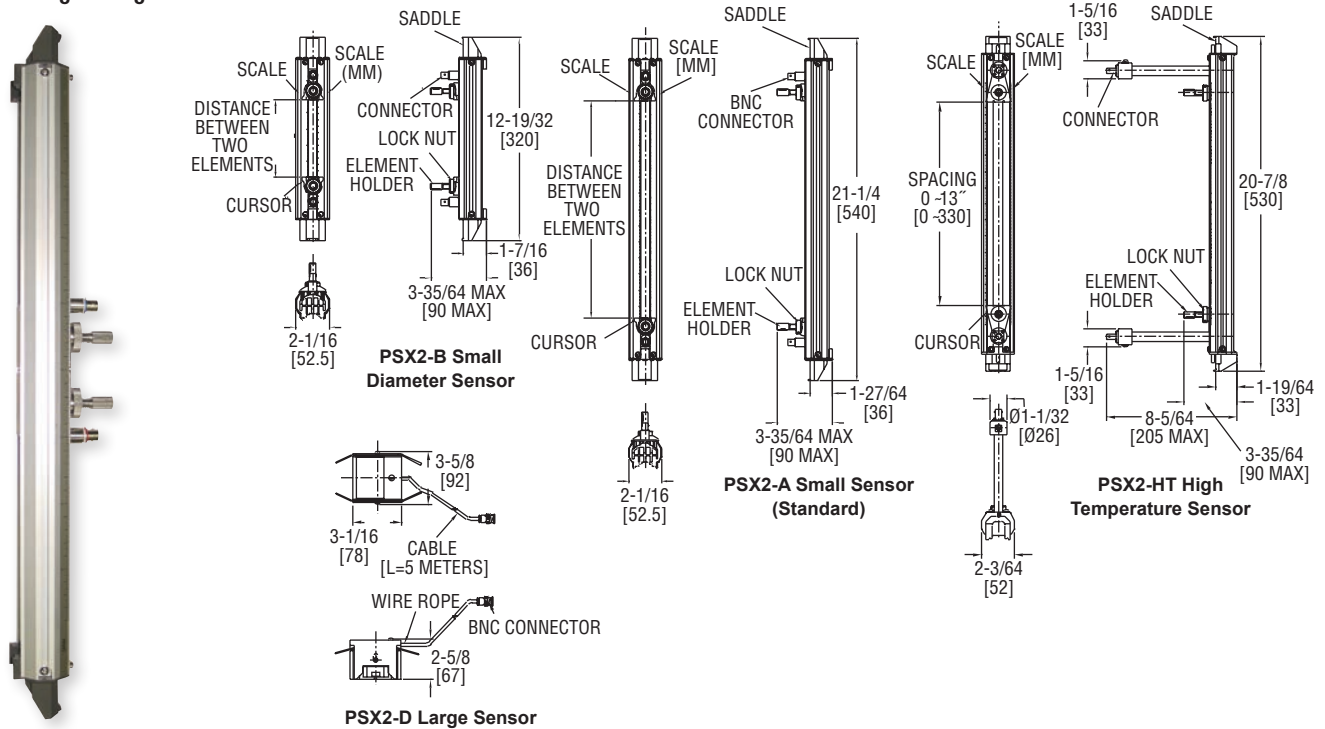
MODEL CHART	
Model	Portable Ultrasonic Flowmeter Converter
PUX2	Converter
PUX2-PR	Converter with printer
Note: Unit includes 5 m coaxial cable for use with PSX2-A, -B sensor.	

OPTION	
Use order code:	Description
NISTCAL-FU	NIST traceable calibration certificate

Flow Transmitters, Ultrasonic, Portable

PORTABLE ULTRASONIC FLOWMETER DETECTOR

Compact and Lightweight



The **SERIES PSX2** Portable Ultrasonic Flowmeter Detectors is paired with Series PUX and PUX2 converters in order to utilize the transit-time difference for measuring flow rates in pipes from the outside.

FEATURES/BENEFITS

- Non-intrusive clamp-on sensor is easy to install, required little maintenance, and is free from pressure loss, corrosion, and leaking
- Compact and lightweight incorporating the latest electronics and digital signal processing technologies
- Realizes high performance and easy operation

APPLICATIONS

- Water treatment
- Industrial systems
- Irrigation applications
- Treated water flow
- River water
- Sea water
- Potable water
- Demineralized water
- Glycol/water mix
- Hydraulic system
- Diesel oil

SPECIFICATIONS

Service: Homogeneous liquids (water, sea water, oil, and fluid of unknown velocity) capable of ultrasonic wave propagation; Turbidity: 10000 deg. (mg/L) or less; State of flow: Axis-symmetric flow in pipe filled with fluid.
Range: 0 to ±105 fps (0 to +32 m/s).
Accuracy: ±1.0% of rate, except PSX2-B: ±1.5% of rate.
Response Time: 1 s or less.
Temperature Limits: Ambient 140°F (60°C); Fluid Temperature: PSX2-A and PSX2-B: -40 to 212°F (-40 to 100°C) PSX2-D: -40 to 176°F (-40 to 80°C) PSX2-HT: -40 to 392°F (-40 to 200°C).

Enclosure Rating: Drip-proof, IP52 (NEMA 5); Large sensor, immersion proof, IP67 (NEMA 6).
Materials: PSX2-E, PSX2-B, and PSX2-D: Plastic case, and aluminum alloy and plastic mounting bracket; PSX2-HT: 304SS case, and aluminum alloy and 304SS mounting bracket.
Electrical Connection: Terminal screws.
Mounting: PSX2-E and PSX2-B: Plastic cloth belt; PSX2-D: SS wire; PSX2-HT: SS belt.
Weight: PSX2-E: 1.32 lb (0.6 kg); PSX2-B: 1.76 lb (0.8 kg); PSX2-D: 3.1 lb (1.4 kg); PSX2-HT: 3.75 lb (1.6 kg).

MODEL CHART

Model	Kind of Detector	Flow Pipe Size in (mm)
PSX2-A	Small sensor (2 MHz), general use structure	1.97 to 15.75 (50 to 400)
PSX2-B	Small diameter sensor, general use structure	0.51 to 3.94 (13 to 100)
PSX2-D	Large sensor, general use structure, 5 m coaxial cable	7.87 to 236.22 (200 to 6000)
PSX2-HT	High-temperature sensor, general use structure, 5 m coaxial cable	1.97 to 15.75 (50 to 400)

ACCESSORIES

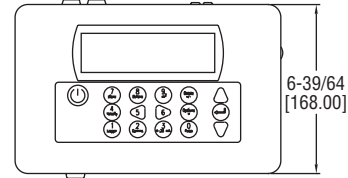
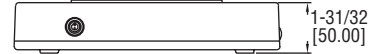
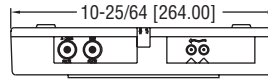
Model	Description
A-186	Silicone-based grease acoustic couplant, 3 oz tube
A-187	Silicone RTV acoustic couplant, 4 oz tube
A-188	Silicone-free acoustic couplant, 4 oz tube

PORTABLE ULTRASONIC FLOWMETER KIT

Portable, Non-Invasive and Data Logging Option



PUB



PUF



Scan here to watch product video

The **SERIES PUB & PUF** Portable Ultrasonic Flowmeter Sets utilize the transit-time difference for measuring flow rates in pipes non-invasively. Units offer flow rate local display with analog and pulsed outputs. The Series UFC offers the same features plus data logging capability.

FEATURES/BENEFITS

- Non-invasive pipe measurement
- Compact and lightweight
- Incorporate the latest electronics and signal processing technologies realizing high performance and easy operation
- Ideal for on-the-go flow monitoring, capable of 20 hours continuous operation with built-in, rechargeable battery
- Easy to read graphic display with convenient backlight for visual comfort
- Efficient layout of the function keys for easy to use programming
- PUB features rugged carrying case with molded foam inserts
- PUF boasts an IP67 rated case to hold and protect all equipment conveniently

APPLICATIONS

- Water treatment
- Industrial systems
- Irrigation applications
- Treated water flow
- River water
- Sea water
- Potable water
- Demineralized water
- Glycol/water mix
- Hydraulic system
- Diesel oil
- Water use data logging

KIT INCLUDES

- Converter
- Set of transducers
- Transducer holders
- Set of transducer cables (6.56 ft (2 m))
- 4 to 20 mA communication cables
- 12 VDC power supply
- Ultrasonic coupling grease
- Set of chains
- Ruled guide rail
- Test block
- Carrying case

MODEL CHART - STANDARD VERSION

Model	Pipe Size Range in (mm)
PUB-10	0.5 to 4.5 (13 to 115)
PUB-20	2 to 40 (50.7 to 1016)

MODEL CHART - DATA LOGGING VERSION

Model	Pipe Size Range in (mm)
PUF-1001	0.5 to 78 (13 to 2000)
PUF-1002	0.5 to 4.5 (13 to 115)
PUF-1003	2 to 78 (50 to 2000)

SPECIFICATIONS

Service: Homogeneous liquids that do not contain air bubbles capable of ultrasonic wave propagation.
Inputs: Lemo connector cable from sensors.
Range: 0.33 to 65.62 ft/s (0.1 to 20 m/s).
Display: 240 x 64 pixel graphic display, high contrast black on white with backlight; Languages: English, French, German, Swedish, Italian, Spanish, Portuguese, Russian, Norwegian, and Dutch; 5.2" W x 1.5" H.
Accuracy: ±0.5 to 2% of flow reading for flow rate > 0.66 ft/s (0.2 m/s) and pipe ID > 2.95 in (75 mm); ±3% of flow reading for flow rate > 0.66 ft/s (0.2 m/s) and pipe ID in range 0.512 to 2.95" (13 to 75 mm); ±6% of flow reading for flow rate < 0.66 ft/s (0.2 m/s).
Power Requirements: 9 to 24 VDC, (1) 5-Cell NiMH battery, internal, factory replaceable (continuous operation time: 20 hours with back-light and output off) (recharging time: 6.5 hours, power adapter used).
Power Consumption: 10.5 W.
Power Adapter: 110/240 VAC adapter. UK, US, European adapters included.
Temperature Limits: -4 to 275°F (-20 to 135°C).
Outputs: Analog: 1 opto-isolated output: 4 to 20 mA, 0 to 16 mA or 0 to 20 mA (selectable); Error current: 0 to 26 mA (selectable); Load resistance: 620 Ω max; Pulse: 1 opto-isolated MOSFET relay, 150 mA max, 500 pps max, 200 Hz max.
Serial Communications: USB; RS-232 (PUF only).
Enclosure Rating: Converter: IP54; Transducers: IP51.
Materials: Flame retardant injection molded ABS plastic.
Repeatability: ±0.5 % of measured value or ±0.066 ft/s (0.02 m/s).
Electrical Connections: Multi-pin Lemo plugs.
Turbidity: < 3% by volume of particulate content.
Permissible Air Content: < 3% by volume.
Response Time: < 500 ms.
Weight: Unit without accessories: 2.3 lb (1.06 kg); Unit with accessories in carrying case: 13.23 lb (6.0 kg).
Agency Approvals: CE.

ADDITIONAL SPECIFICATIONS

Applicable Pipe Material: Carbon steel, SS, copper, UPVC/PVDF, concrete, galvanized steel, mild steel, glass, brass.
Applicable Pipe Lining: Rubber, glass, concrete, epoxy, steel, other*.
Pipe Wall Thickness: 0.04 to 3" (1 to 75 mm).
Pipe Lining Thickness: < 1" (< 25 mm).

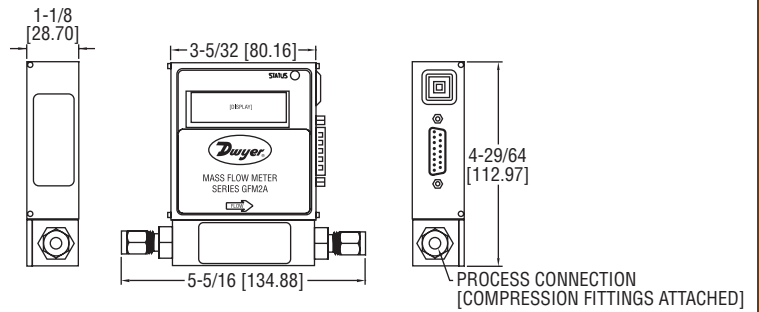
*Selectable option for special material with known propagation rate of lining material.

OPTION

Use order code:	Description
NISTCAL-FU	NIST traceable calibration certificate

GAS MASS FLOW METER

±1% FS, Programmable Relays



The **SERIES GFM2** Gas Mass Flow Meters is an ideal choice for the measurement of flow rates of a wide variety of gases. Unit can be calibrated for a variety of gases with user selectable 0 to 5 VDC or 4 to 20 mA and two relay outputs and programmable totalizer that indicates total gas quantity.

FEATURES/BENEFITS

- Utilizes a straight tube sensor with a restrictor flow element to provide a high ±1% FS accuracy and ±0.25% FS repeatability.
- Gas flow can be displayed in 23 different engineering units on an optional 2x16 character LCD display with internal conversion factors for up to 32 gases
- Digital RS-232 or RS-485 interfaces allow for easy communication and for multi-drop capability of up to 256 units (RS-485 only)
- User-friendly interface allows for the programming of high and low gas flow alarms, along with two user-programmable electromechanical SPDT relays with latch options
- Stores calibration information for up to 10 different gases, internal or user-specific K-factors
- Automatic sensor zero offset adjustment (via digital interface or local push button)
- NIST traceable certificate included
- Self-diagnostic tests

APPLICATIONS

- Gas flow measurement
- Gas flow control
- Operating pumps and valves
- Process equipment
- Vacuum processes
- Glass and metal coating
- Film deposition

SPECIFICATIONS

Service: Clean gases compatible with wetted parts.
Wetted Materials: GFM2-X-X-A: Anodized aluminum, brass, 316 SS fluoroelastomer O-rings; GFM2-X-X-S: 316 SS, and fluoroelastomer O-rings; Buna-N, EPDM and PTFE O-rings optional.
Accuracy: ±1% FS.
Repeatability: ±0.25% FS.
Response Time: 2 seconds to within ±2% of actual flow.
Output Signal: Linear 0 to 5 VDC (3000 Ω min. load impedance) and 4 to 20 mA (500 Ω max. loop resistance).
Relay Rating: 1 A @ 24 VDC.
Max. Particulate Size: 5 microns.
Temperature Limits: 32 to 122°F (0 to 50°C).
Power Supply: 11 to 26 VDC.
Process Connections: 1/8" compression fitting for flow rates ≤ 10 L/min; 1/4" for ≤ 50 L/min; 3/8" for ≤ 100 L/min.
Display: 2 x 16 character LCD (optional).
Pressure Limits: 500 psig (34.5 bar).
Leak Integrity: 1 x 10⁻⁹ smL/sec of helium.
Weight: 1.05 lb (0.48 kg).

MODEL CHART										
Example	GFM2	-AIR	-010	-A	-V	-A	-N	-A	-2	GFM2-AIR-010-A-V-A-N-A-2
Series	GFM2									Gas mass flow meter
Specialty Gas & K-Factor		AIR AR C2H2 C3H8 C4H10 CH4 CO CO2 HF HE H2 N2 NH3 O2 SO2								Air 1.0000 Argon 1.4573 Acetylene 0.5829 Propane 0.3500 Butane 0.2631 Methane 0.7175 Carbon monoxide 1.0000 Carbon dioxide 0.7382 Hydrogen fluoride 0.9998 Helium 1.4540 Hydrogen 1.0106 Nitrogen 1.0000 Ammonia 0.7310 Oxygen 0.9926 Sulfur dioxide 0.6900
Body Size			010 050 100							Low flow Medium flow High flow
Body Material				A S						Aluminum Stainless steel: Body size = 010 Body size = 050 Body size = 100
Seal Material					V B E T					Fluoroelastomer Buna-N EPDM PTFE
Fittings						A B D				1/4" compression (low) 1/8" compression (medium) 3/8" compression (high)
Display							N L			No display LED display
Output Signal								A B		0 to 5 VDC 4 to 20 mA
Digital Interface									2 5 9	RS232 RS485 PROFIBUS

MAXIMUM FLOW RANGE (l/min)							
Body Size	AIR	AR	C2H2	C3H8	C4H10	CH4	CO
010	10	10	5	2	2	5	10
050	50	50	20	10	5	30	50
100	100	100	50	30	20	60	100

MAXIMUM FLOW RANGE (l/min)							
Body Size	CO2	HE	H2	N2	NH3	O2	SO2
010	5	10	10	10	5	10	5
050	30	50	50	50	30	50	30
100	60	100	100	100	60	100	60

FLOW RANGES	
ml/min	l/min
10	2
20	5
50	10
100	20
200	30
500	40
1000	50
	60
	80
	100

Note: Specify flow range at time of order

ACCESSORY	
Model	Description
A-110NA12	110 VAC power supply, 12 VDC with communication interface branch



GAS MASS FLOW METER

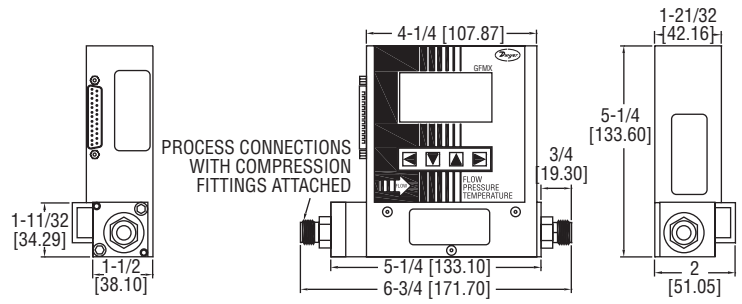
Flow Monitoring, Push-Button Configuration



GFM3



GFM4



The **SERIES GFM3 & GFM4** Gas Mass Flow Meters are an ideal choice for the measurement of flow rates of a wide variety of gases. Unit can be calibrated for a variety of gases via push-button with 0 to 5 VDC, 0 to 10 VDC or 4 to 20 mA and relay outputs.

FEATURES/BENEFITS

- Multi parameter flow meter supports various functions such as flow totalizer, flow, temperature, and pressure alarms, and is available in a choice of 0 to 5 VDC, 0 to 10 VDC, or 4 to 20 mA output signals
- Set alarms remotely via digital interface for flow, pressure, and temperature to alert user of high or low thresholds being exceeded
- Programmable 12-digit totalizer for total gas volume indication, and is available in the choice of 0 to 5 VDC, 0 to 10 VDC, or 4 to 20 mA output signals
- Standard four button keypad and large 128 x 64 graphical LCD with backlight allows easy access to the many features
- Digital interface operates through available RS-485 or RS-232, providing access to internal data parameters and multi-drop capability of up to 255 units (RS-485 only)
- Set alarms remotely via digital interface for flow to alert user of high or low thresholds being exceeded
- Internal conversion factors for up to 32 gases
- NIST traceable certificate included
- Automatic zero adjustment
- Self-diagnostic tests

SPECIFICATIONS

Service: Clean gases compatible with wetted parts.	Temperature Limits: Ambient: 32 to 122°F (0 to 50°C); Dry Gases: 14 to 122°F (-10 to 50°C).
Wetted Materials: 316 SS, 416 SS; Fluoroelastomer, Buna-N, EPR or PTFE O-rings.	Power Supply: 12 VDC; 15 VDC; ±24 VDC.
Accuracy: ±1% FS.	Process Connections: 1/8" compression fitting for flow rates ≤ 10 L/min; 1/4" for ≤ 50 L/min; 3/8" for ≤ 100 L/min.
Repeatability: ±0.25% FS.	Pressure Limits: 500 psia (35 bar).
Response Time: 0.6 to 1.0 s to within ±2% of setpoint over 20 to 100% FS.	Leak Integrity: 1 x 10 ⁻⁹ smL/sec of helium.
Output Signal: Linear 0 to 5 VDC (3000 Ω min. load impedance); 0 to 10 VDC (6000 Ω min. load impedance); 4 to 20 mA (500 Ω max. loop resistance).	Display: 128 x 64 graphic LCD with backlight.
Relay Rating: 1 A @ 24 VDC.	Weight: 1 lb (.45 kg).
Max. Particulate Size: 5 microns.	

APPLICATIONS

- Gas flow measurement
- Gas flow control
- Operating pumps and valves
- Process equipment
- Vacuum processes
- Glass and metal coating
- Film deposition

MODEL CHART

Example	GFM3	-AIR	-010	-5	-E	-B	-L	-B	-C	-2	GFM3-AIR-010-5-E-B-L-B-C-2
Series	GFM3 GFM4										Gas mass flow meter Gas mass flow meter with temperature
Specialty Gas & K-Factor		AIR AR C2H2 C3H8 C4H10 CH4 CO CO2 HF HE H2 N2 NH3 O2 SO2									Air 1.0000 Argon 1.4573 Acetylene 0.5829 Propane 0.3500 Butane 0.2631 Methane 0.7175 Carbon monoxide 1.0000 Carbon dioxide 0.7382 Hydrogen fluoride 0.9998 Helium 1.4540 Hydrogen 1.0106 Nitrogen 1.0000 Ammonia 0.7310 Oxygen 0.9926 Sulfur dioxide 0.6900
Body Size [Ⓜ]			010 050 100								Low flow Medium flow High flow
Power Supply				5 2 4							±15 VDC 12 VDC 24 VDC
Seal Material					V B E T						Fluoroelastomer Buna-N EPR PTFE
Fittings						A B D					1/4" compression (low) 1/8" compression (medium) 3/8" compression (high)
Display							N L				No display LED display
Flow Output Signal								A B G			0 to 5 VDC 4 to 20 mA 0 to 10 VDC
Temperature & Pressure Output Signal									A B C D E F G H I J		N.A./N.A. 0 to 5 VDC/0 to 5 VDC 0 to 5 VDC/4 to 20 mA 0 to 5 VDC/0 to 10 VDC 4 to 20 mA/0 to 5 VDC 4 to 20 mA/4 to 20 mA 4 to 20 mA/0 to 10 VDC 0 to 10 VDC/0 to 5 VDC 0 to 10 VDC/4 to 20 mA 0 to 10 VDC/0 to 10 VDC
Digital Interface										2 5 9	RS232 RS485 PROFIBUS

Note: Specify flow range at time of order [Ⓜ]

ACCESSORIES

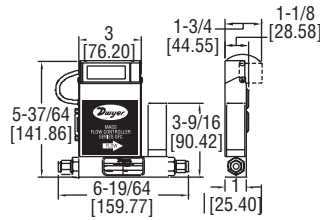
Model	Description
A-110N12	110 VAC power supply, 12 VDC standard interface
A-110N24	110 VAC power supply, 24 VDC standard interface
A-110NA15	110 VAC power supply, 15 VDC standard interface

[Ⓜ]Flow Range Chart: See page 189 (Series GFM2)

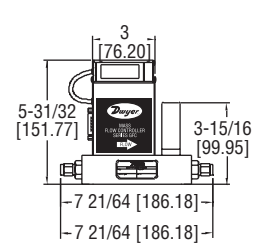
[Ⓜ]Max Flow Range Chart (per body size for the given gases): See page 189 (Series GFM2)

GAS MASS FLOW CONTROLLERS

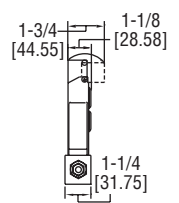
Flow Range Up to 1000 L/min, Pressures Up to 500 psi, NIST Traceable



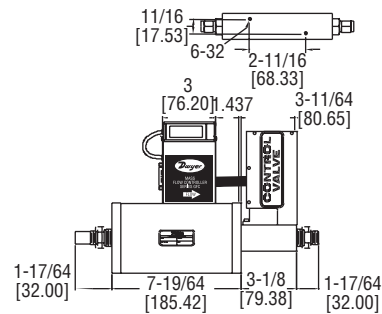
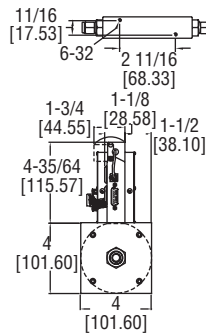
Model GFC-1101 Thru GFC-1111
& GFC-2101 Thru GFC-2111



Model GFC-1130 Thru GFC-1133
& GFC-2130 Thru GFC-2133



Model GFC-1140 Thru
GFC-1142 & GFC-2140
Thru GFC-2142



Model GFC-1143 Thru GFC-1145
& GFC-2143 Thru GFC-2145

The **SERIES GFC** Gas Mass Flow Controllers combines a straight tube sensor with a restrictor flow element. It is available for flow ranges up to 1000 L/min and offered in aluminum or 316 SS in 1/4", 3/8", 1/2" and 3/4" sizes.

FEATURES/BENEFITS

- Provides high accuracy and repeatability
- Flow rates are virtually unaffected by temperature and pressure variations
- Utilizes an electromagnetic valve and PID electronics to maintain continuous control by comparing measured sensor signal set to flow rates
- Set points can be adjusted with local potentiometers or remotely via 0 to 5 VDC or 4 to 20 mA analog signal
- Actual gas flow is displayed in engineering units on a 3-1/2 digit, 90° tiltable LCD readout
- Can be used with Series GFT2 Flow Totalizer for applications requiring totalization
- NIST traceable certificate included

APPLICATIONS

- Gas flow measurement
- Gas flow control
- Operating pumps and valves
- Process equipment
- Vacuum processes
- Glass and metal coating
- Film deposition

MODEL CHART

Aluminum Model	SS Model	Flow Range	Process Connector Compression Fitting
GFC-1101*	GFC-2101*	0 to 10 mL/m	1/4"
GFC-1102*	GFC-2102*	0 to 20 mL/m	1/4"
GFC-1103*	GFC-2103*	0 to 50 mL/m	1/4"
GFC-1104*	GFC-2104*	0 to 100 mL/m	1/4"
GFC-1105*	GFC-2105*	0 to 200 mL/m	1/4"
GFC-1106*	GFC-2106*	0 to 500 mL/m	1/4"
GFC-1107*	GFC-2107*	0 to 1000 mL/m	1/4"
GFC-1108*	GFC-2108*	0 to 2 L/min	1/4"
GFC-1109*	GFC-2109*	0 to 5 L/min	1/4"
GFC-1111*	GFC-2111*	0 to 15 L/min	1/4"
GFC-1131*	GFC-2131*	0 to 30 L/min	1/4"
GFC-1133*	GFC-2133*	0 to 50 L/min	1/4"
GFC-1142*	GFC-2142*	0 to 100 L/min	3/8"
GFC-1143*	GFC-2143*	0 to 200 L/min	3/8"
GFC-1144*	GFC-2144*	0 to 500 L/min	1/2"
GFC-1145*	GFC-2145*	0 to 1000 L/min	3/4"

*Specified flow ranges are for an equivalent flow of nitrogen at 70°F (21°C) @ 760 mm Hg

SPECIFICATIONS

Service: Clean gases compatible with wetted parts.
Wetted Materials: GFC-1XXX: Anodized aluminum, brass, 316 SS and fluoroelastomer O-rings; GFC-2XXX: 316 SS and fluoroelastomer O-rings.
Accuracy: ±1% FS including linearity over 59 to 77°F (5 to 25°C) and 5 to 60 psia (0.34 to 4 bar); Series GFC X143, X144, X145, ±1.5% FS.
Repeatability: ±0.25% FS.
Response Time: 2 s to within ±2% of actual flow.
Output: Linear 0 to 5 VDC and 4 to 20 mA.
Max. Particulate Size: 5 microns.
Temperature Limits: 32 to 122°F (0 to 50°C).
Power Supply: ±12 VDC.
Process Connections: 1/4" compression fitting for flow rates ≤50 L/m; 3/8" for 100 and 200 L/m; 1/2" for 500 L/min; 3/4" for 1000 L/min.
Pressure Limits: 1000 psig (68.9 bar); Series GFC-X143, X144, X145, 500 psig (34.5 bar).
Leak Integrity: 1 x 10⁻⁹ sccs of He.
Display: 90° tiltable, 3-1/2 digit.
Agency Approvals: CE.

ACCESSORIES

Model	Description
GFC-110P	110 V power supply
GFC-220PE	220 V power supply
GFC-CBL1	8' cable with 15-pin connector
GFC-CBL3	3' extension cable for LCD readout



RATE/TOTAL INDICATOR

Loop Powered, Converts Pulse Frequency to 4 to 20 mA, High/Low Flow Alarm



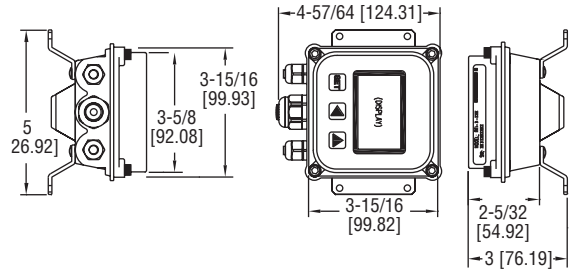
RTI-W



RTI-M shown installed on Series EFS2
*Meter sold separately



RTI-P



The **SERIES RTI** Rate & Total Indicator Displays takes the pulse output signal from compatible flow meters, displays flow rate and total, and provides output signals. It is compatible with the Series EFS2, IEFS, PDWS, PFT and FLMG.

FEATURES/BENEFITS

- Can be mounted on either a wall or meter and has an additional panel mount option for added flexibility
- Offers accessory mounting kits making it easy to change the mounting orientation
- High environmental protection with semi-flexible urethane potted electrical components
- Powered by an external DC voltage provides a pulse, 4 to 20 mA and dual-relay output.
- Tamper-evident, non-resettable total, dual relay output options available

APPLICATIONS

- Water treatment
- Water utilities
- Industrial chemical handling

MODEL CHART	
Stocked Model	Description
RTI-W	Wall-mounted, rate/total indicator, loop powered

ACCESSORIES	
Model	Description
MMK	Meter mounting kit
WMK	Wall mounting kit

SPECIFICATIONS	
Input: 5 V pulse or contact closure; 1.0 to 1500 pulses/s.	Display: Rate: 6 digits, 1/2" H LCD; Total: 8 digits, 5/16" character height.
Temperature Limits: -22 to 148°F (-30 to 65°C).	K-Factor Range: 0.001 to 99999.999.
Output: Current sinking square wave pulse: Scaled pulse output (0.1 s duration 6.1 Hz max. or high alarm output or low alarm output), sensor pass-through pulse output (un-scaled); Pulse output range: 0.1 to 9999999.9 units/pulse; Analog: 4 to 20 mA, 24 to 30 VDC.	Flow Alarm Output Range: 0.01 to 999999.99.
Power Requirements: 12 to 30 VDC @ 4 mA (4 to 20 mA when loop-powered).	Enclosure Material Housing: Die-cast powder-coated aluminum; Faceplate #HP92W Lexan.
	Enclosure Rating: NEMA 4X (IP66).
	Electrical Connection: Terminal blocks, #22 AWG, 3 conductor 18" (5.5 m) cable (2000" max.).
	Mounting: See model chart.
	Weight: 3 lb (1361 g).

MODEL CHART				
Example	RTI	-M	-DPS	RTI-M-DPS
Series	RTI			Rate/total indicator, loop-powered
Mounting		M W P		Meter-mounted* Wall-mounted Panel-mounted
Options			DPS TEV NRT VPS DRO HDC	Built-in 115 VAC/12-24 dual power supply (RTI-W only) Tamper-evident Non-resettable total Built-in 115 VAC power supply (RTI-W only) Dual relay output Hinged display cover (not with DPS or VPS)

The RTI is a rate/total indicator that uses the pulse output from the following Dwyer flow meters series* and displays flow rate and total.

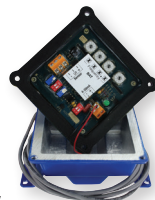
*Compatible Series: EFS2, IEFS, PDWS, PFT, TBS and FLMG.

BLIND ANALOG TRANSMITTER

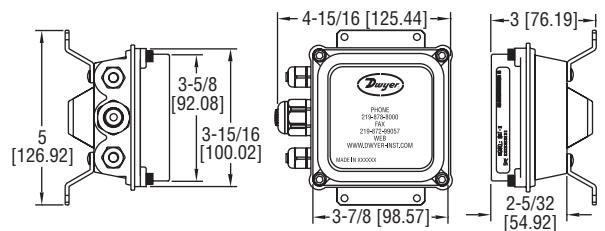
Converts Pulse Frequency to 4 to 20 mA, Loop Powered



BAT-M shown installed on Series EFS2 meter. Meter sold separately.



BAT-W



The **SERIES BAT** Analog Transmitters is a 4 to 20 mA transmitter for use with the Series EFS2, IEFS, PDWS, PFT and FLMG.

FEATURES/BENEFITS

- Easy to set up and can be either wall or meter mounted
- Takes a pulse frequency output from the compatible flow meters and converts it into a continuous 4 to 20 mA analog output signal
- The frequency for the flowmeter output signal can be adjusted using four rotary switches on the back of the transmitter and a microcontroller automatically scales all other values accordingly
- The microcontroller averages inputs for more stable reading outputs and is adjustable from 2 to 16 seconds
- Loop powered, 2 wire connection
- High environmental protection with semi-flexible urethane potted electrical components

APPLICATIONS

- Telemetry applications
- Data logging
- Distributed control systems
- Chart recording

ACCESSORIES	
Model	Description
MMK	Meter mounting kit
WMK	Wall mounting kit

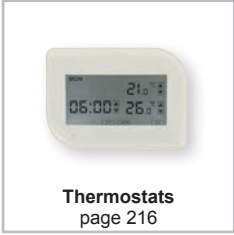
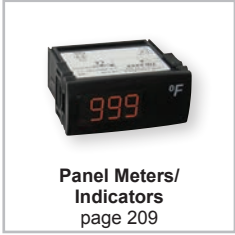
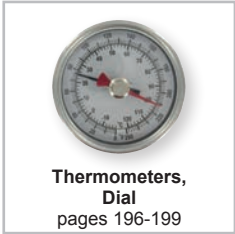
SPECIFICATIONS	
Input: Open-collector solid state sensor. Averaging: 2, 4, 8, 16 s (DIP switch selectable); Pulse Frequency: Min. 10 Hz @ 20 mA; Max. 999.9 Hz (rotary DIP switch selectable).	Response Time: 2 to 60 s; 90% FS (depends on input averaging).
Temperature Limits: 32 to 130°F (0 to 55°C).	Loop Resistance: 0 to 1300 Ω max. ●
Output: 4 to 20 mA.	Enclosure Material: Die-cast powder-coated aluminum.
Power Requirements: 24 to 36 VDC @ 4 to 20 mA when loop powered.	Enclosure Rating: NEMA 4X (IP66).
	Electrical Connections: Terminal block.
	Mounting: See model chart.
	Weight: 3 lb (1361 g).

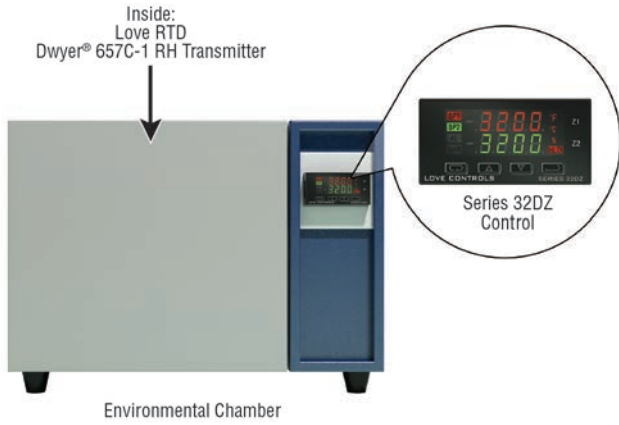
MODEL CHART	
Model	Description
BAT-M	Blind analog transmitter, meter-mounted*
BAT-W	Blind analog transmitter, wall-mounted

*Compatible Series: EFS2, IEFS, PDWS, TBS and FLMG.

● Loop Resistance: See Bulletin F-BAT

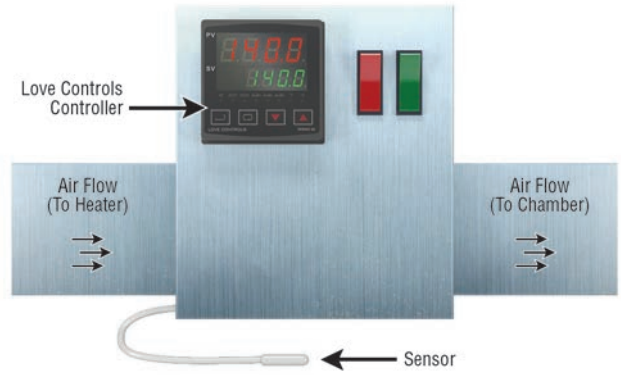
TYPICAL APPLICATIONS
pages 194-195





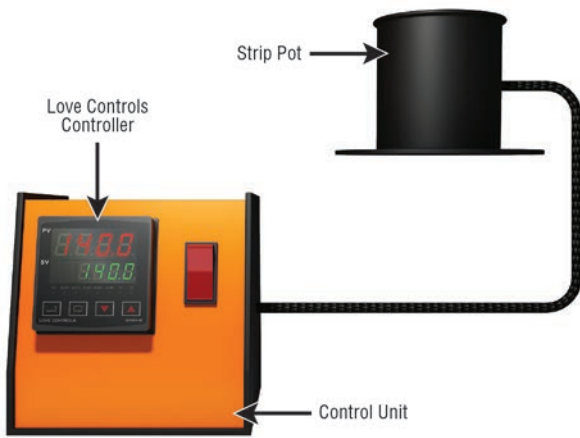
Environmental chamber control simplified with dual zone control.

Environmental chambers have traditionally used separate controls to handle the temperature and relative humidity control tasks. The Love Controls 32DZ dual zone control with Love 5000 Series RTD and Dwyer® RH Humidity transmitter controls both parameters in a single small format (1/32 DIN) control to handle both zones, simplifying wiring and reducing panel costs. The 32DZ can switch small resistive loads directly or, when used with Dwyer® Series 62 solid state relays (not shown), can switch larger loads.



Dwyer® controllers used within heater controllers.

In bioscience laboratories, the preferred methods of temperature control for experiments are heated water baths. There are experiments where water cannot be used, so the next feasible option is to send temperature controlled air to the experiment site. In order to use temperature controlled air, an air heater is needed. Within this product, a Love Controls temperature controller is used for accurate and responsive temperature control. The Love Controls controller can adapt to a different environment through different operating modes such as SELF-TUNE or manual PID adjustments, or preset PID responses.



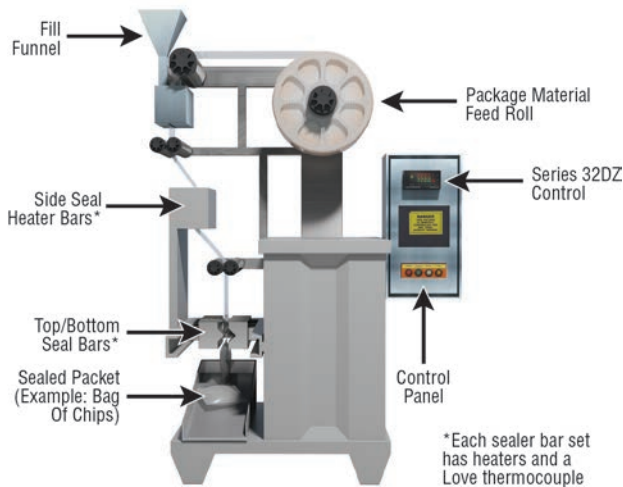
Love Controls controllers involved in insulation removal.

For most wires, removing the insulation is easy, but for magnetic and enamel wires, removing the insulation is very difficult. One way to easily remove the insulation of the magnetic or enamel wire is to dip them in a solution of molten fused salts. The salts are heated to a temperature high enough to melt the salts into a liquid, but not deteriorate them. This process uses a Love Controls feedback temperature controller. The Love Controls controller allows the operator to input a desired temperature and maintain that temperature accurately. The Love Controls controller will also retain the input temperature after the power is disconnected.



Series TS Digital Temperature Switches regulate temperature in refrigerated and display cases.

When storing food or other perishables in chillers or display cases, temperature must be carefully regulated to ensure the products remain fresh. If the storage area rises above the critical preservation temperature, products can have their shelf life dramatically shortened or be spoiled altogether. A Dwyer® Series TSX3 Digital Temperature Switch will prevent these scenarios by monitoring temperature and activating refrigeration and defrost cycles to ensure the storage temperature stays within safe limits.



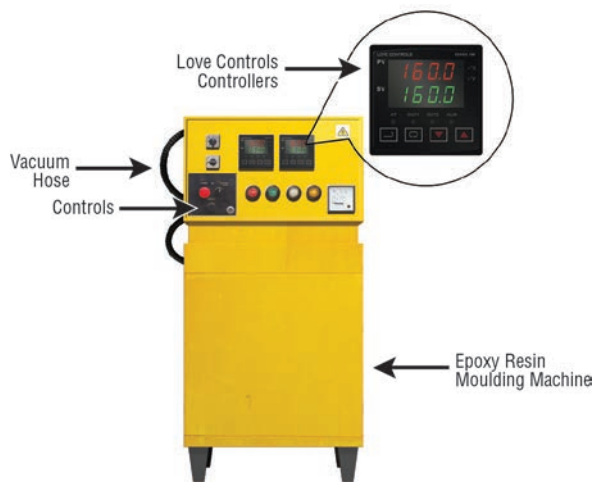
Form, fill and seal machine control simplified with dual zone control.

Form, fill and seal machines traditionally have used separate controls to handle the temperature control requirement for the side and top/bottom seal bars. The Love Controls® 32DZ with Love® 5000 Series thermocouples allows for a single small format (1/32 DIN) control to handle both zones, simplifying wiring and reducing panel costs. The 32DZ can switch small resistive loads directly or, when used with the Love® 62 Series solid state relays (not shown), can switch larger loads.



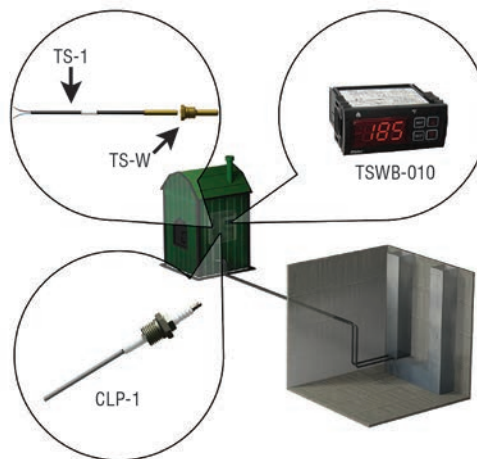
Love Controls controllers used in the packaging of condiments.

Packaging of condiments require the sealing bars to be heated to a temperature hot enough to seal the packages, but not destroy the packaging material. The heat on the sealing bars needs to be controlled to ensure the heat does not become excessive. Love Controls controllers are used in this process to accurately control the heat on the sealing bars. The sensors from the Love Controls controllers are placed on the sealing bars to ensure accurate temperature readings. Should the heat become excessive, an alarm light on the controller notifies the operator of the impending conditions.



Resin transfer molding.

Accurate control of temperature and epoxy resin flow is important during resin transfer molding. For the epoxy resin to have an even and thorough flow, the resin must be at a temperature high enough to allow it to flow, yet not burn the resin. With the help of a Love Controls controller, the temperature of the resin is accurately controlled under different conditions through the different PID operating modes. Another Love Controls controller, with a flow transducer, is used in this process to control the flow of the epoxy resin. The Love Controls controller provides information on the temperature and flow rate to the computer through an RS-485 serial communication option.



Controlling water temperature in outdoor wood furnace.

The Series TSWB is the ideal control for monitoring water temperature and water level in outdoor wood furnaces. The Series TSWB controls the damper and/or the fan that provides oxygen to the flame in the fire box. Usually an external light will also be controlled by the Series TSWB to inform the user that the furnace is out of wood or that the water level is low. The TSWB accepts thermistor inputs for temperature and conductivity probe, Dwyer CLP-1, inputs for monitoring water level.

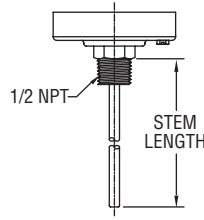


BIMETAL THERMOMETER

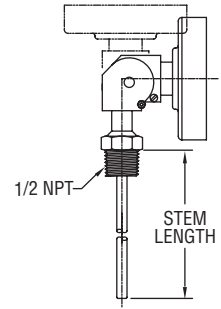
2", 3" or 5" Dial, Dual Scale, ±1% FS Accuracy, External Reset



Scan here to watch product video



Back Connection



Adjustable Angle Connection

The **SERIES BT** Bimetal Thermometers offer accurate, reliable service even in the toughest environments. These corrosion resistant units are constructed from stainless steel and are hermetically sealed to prevent crystal fogging.

FEATURES/BENEFITS

- Hermetically sealed
- Adjustable dial position models

APPLICATIONS

- Chiller or boiler water temperature monitoring
- Treatment plant temperature monitoring

SPECIFICATIONS

Wetted Materials: 304 SS.
Housing Material: Series 300 SS.
Lens: Glass.
Accuracy: ±1% full-scale.
Response Time: ≤ 40 seconds.
Temperature Limits: Head: 200°F (93°C); Stem: Not to exceed 50% over-range or 1000°F (538°C) or 800°F (427°C) continuously.
Process Connection: 1/4" NPT on 2" dial size; 1/2" NPT on 3" or 5" dial size.
Stem Diameter: 1/4" OD.
Immersion Depth: Minimum 2" in liquids, 4" in gas.

MODEL CHART

Model	Dial Size	Stem Length	Connection	Range °F (°C)	Degree Div °F (°C)	Model	Dial Size	Stem Length	Connection	Range °F (°C)	Degree Div °F (°C)
BTB22551*	2"	2-1/2"	Back	0 to 250	2	BTB3605D	3"	6"	Back	0 to 250 (-20 to 120)	2 (2)
BTB2405D	2"	4"	Back	0 to 250 (-20 to 120)	2 (2)	BTA54010D	5"	4"	Adjustable	0 to 200 (-20 to 100)	2 (2)
BTB2409D	2"	4"	Back	200 to 1000 (100 to 550)	10 (5)	BTA5405D	5"	4"	Adjustable	0 to 250 (-20 to 120)	2 (2)
BTB32510D	3"	2-1/2"	Back	0 to 200 (-20 to 100)	2 (2)	BTA5407D	5"	4"	Adjustable	50 to 550 (10 to 290)	5 (5)
BTB3255D	3"	2-1/2"	Back	0 to 250 (-20 to 120)	2 (2)	BTA56010D	5"	6"	Adjustable	0 to 200 (-20 to 100)	2 (2)
BTB3257D	3"	2-1/2"	Back	50 to 550 (10 to 290)	5 (5)	BTA5605D	5"	6"	Adjustable	0 to 250 (-20 to 120)	2 (2)
BTB34010D	3"	4"	Back	0 to 200 (-20 to 100)	2 (2)	BTA5607D	5"	6"	Adjustable	50 to 550 (10 to 290)	5 (5)
BTB3405D	3"	4"	Back	0 to 250 (-20 to 120)	2 (2)	BTC3255D	3"	2-1/2"	Lower	0 to 250 (-20 to 120)	2 (2)
BTB3407D	3"	4"	Back	50 to 550 (10 to 290)	5 (5)						

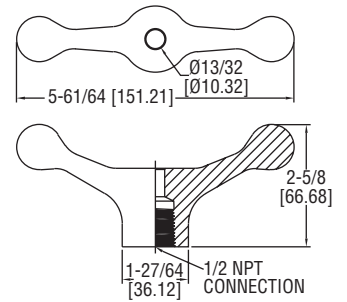
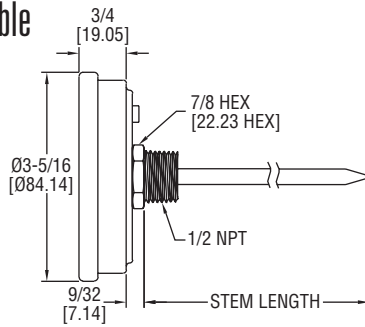
*Model offered in Fahrenheit scale only.

LONG REACH BIMETAL THERMOMETER

Extra-long Stems Reach Remote Areas, Gripping Handle Available



Scan here to watch product video



The **SERIES BTLRN** Long Reach Bimetal Thermometer reaches areas that other thermometers can't. A gripping handle is available as an accessory to comfortably hold the thermometer during temporary installations.

FEATURES/BENEFITS

- Stem lengths from 12" to 72"

APPLICATIONS

- Large container monitoring
- Duct temperature measurement

MODEL CHART

Model	Stem Length	Range*
BTLRN312101	12"	0 to 200°F
BTLRN318101	18"	0 to 200°F
BTLRN324101	24"	0 to 200°F
BTLRN336101	36"	0 to 200°F
BTLRN348101	48"	0 to 200°F
BTLRN360101	60"	0 to 200°F
BTLRN372101	72"	0 to 200°F

*Dual scale units available by changing last digit to D. **Example:** BTLRN31210D

SPECIFICATIONS

Wetted Materials: 304 SS.
Housing Materials: Series 300 SS.
Lens: Glass.
Accuracy: ±1%.
Temperature Limits: Ambient: -40 to 392°F (-40 to 200°C).
Dial Size: 3".
Process Connection: 1/2" NPT.
Resolution: 2°F (1°C).
Weight: 1.0 lb (0.45 kg).

ACCESSORY

Model	Description
BTLR-GH	Gripping handle

SIDE READING BIMETAL THERMOMETER

Horizontally Mounts to Tank



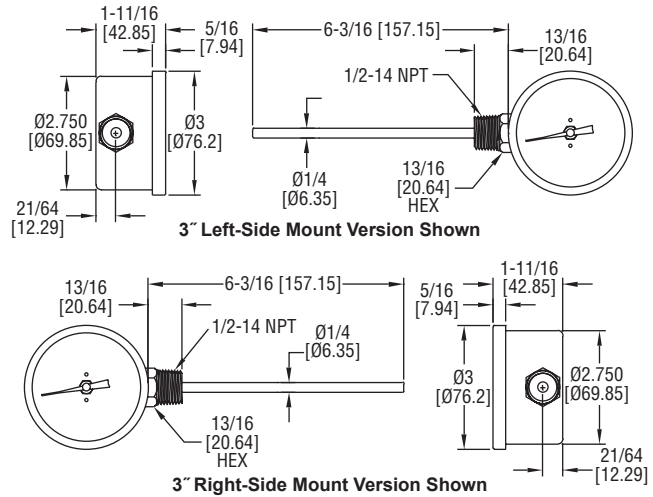
BTLS



BTLR



Scan here to watch product video



The **SERIES BTL** Side Reading Bimetal Thermometers are a great fit for tight, compact areas. These horizontally mounted thermometers face upright to allow quick and easy measurements.

FEATURES/BENEFITS

- Dial face positioned for horizontal mounting
- Scratch resistant lens

APPLICATIONS

- Tank or vessel monitoring

MODEL CHART

Model	Stem Length	Connection	Range*	Model	Stem Length	Connection	Range*
BTLS32541	2-1/2"	Left-side	-40 to 160°F	BTLR32541	2-1/2"	Right-side	-40 to 160°F
BTLS32571	2-1/2"	Left-side	50 to 500°F	BTLR32571	2-1/2"	Right-side	50 to 500°F
BTLS3255D	2-1/2"	Left-side	0 to 250°F (-20 to 120°C)	BTLR3255D	2-1/2"	Right-side	0 to 250°F (-20 to 120°C)
BTLS34041	4"	Left-side	-40 to 160°F	BTLR34041	4"	Right-side	-40 to 160°F
BTLS34071	4"	Left-side	50 to 500°F	BTLR34071	4"	Right-side	50 to 500°F
BTLS3405D	4"	Left-side	0 to 250°F (-20 to 120°C)	BTLR3405D	4"	Right-side	0 to 250°F (-20 to 120°C)
BTLS36041	4"	Left-side	-40 to 160°F	BTLR36041	6"	Right-side	-40 to 160°F
BTLS36071	6"	Left-side	50 to 500°F	BTLR36071	6"	Right-side	50 to 500°F
BTLS3605D	6"	Left-side	0 to 250°F (-20 to 120°C)	BTLR3605D	6"	Right-side	0 to 250°F (-20 to 120°C)

*Dual scale units available by changing last digit to D. Example: BTLS3254D

SPECIFICATIONS

Wetted Materials: 304 SS.
Lens: Glass.
Accuracy: ±1% FS.
Temperature Limits: Ambient: -40 to 392°F (-40 to 200°C).

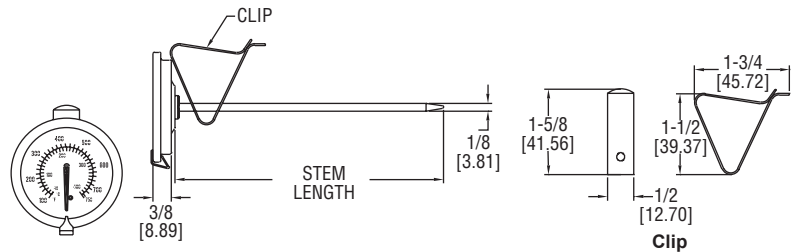
Dial Size: 3".
Process Connection: 1/2" NPT.
Resolution: < 2% of scale.
Weight: 9.2 oz (260 g).

CLIP-ON BIMETAL THERMOMETER

Fits Any Size Pot, Adjustable Set Point Pointer



Scan here to watch product video



The **SERIES CBT** Clip-on Thermometers are designed to monitor the temperatures of products while they are cooking in pots, kettles, or other food preparation equipment.

FEATURES/BENEFITS

- Adjustable clip for easy mounting in pots or kettles
- Reference pointer

APPLICATIONS

- Food preparation monitoring
- Fryers or other kitchen equipment

MODEL CHART

Model	Dial Size	Stem Length	Range*	Model	Dial Size	Stem Length	Range*	Model	Dial Size	Stem Length	Range*
CBT175041	1-3/4"	5"	-40 to 160°F	CBT178071	1-3/4"	8"	50 to 500°F	CBT28051	2"	8"	0 to 250°F
CBT175051	1-3/4"	5"	0 to 250°F	CBT178052	1-3/4"	8"	-10 to 110°C	CBT28061	2"	8"	50 to 300°F
CBT175061	1-3/4"	5"	50 to 300°F	CBT25041	2"	5"	-40 to 160°F	CBT28071	2"	8"	50 to 500°F
CBT175071	1-3/4"	5"	50 to 500°F	CBT25051	2"	5"	0 to 250°F	CBT28052	2"	8"	-10 to 110°C
CBT175052	1-3/4"	5"	-10 to 110°C	CBT25061	2"	5"	50 to 300°F	CBT38041	3"	8"	-40 to 160°F
CBT178041	1-3/4"	8"	-40 to 160°F	CBT25071	2"	5"	50 to 500°F	CBT38051	3"	8"	0 to 250°F
CBT178051	1-3/4"	8"	0 to 250°F	CBT25052	2"	5"	-10 to 110°C	CBT38071	3"	8"	50 to 500°F
CBT178061	1-3/4"	8"	50 to 300°F	CBT28041	2"	8"	-40 to 160°F	CBT38052	3"	8"	-10 to 110°C

*Dual scale units available by changing last digit to D. Example: CBT17504D

SPECIFICATIONS

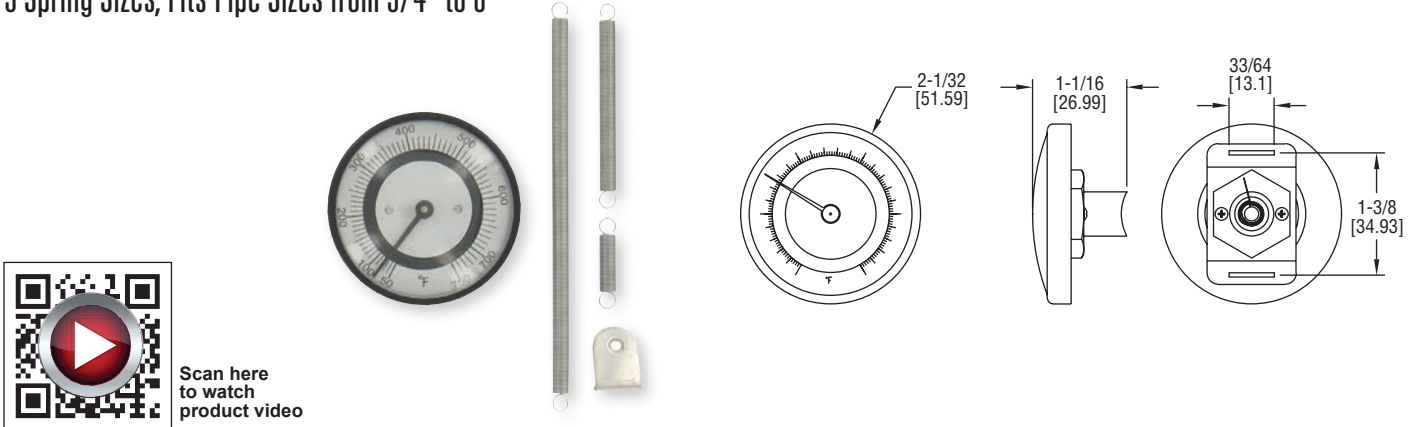
Wetted Materials: 304 SS.
Housing Material: Series 300 SS.
Lens: Glass.
Accuracy: ±1%.

Temperature Limits: Ambient: 15 to 300°F (-10 to 150°C).
Dial Size: 1-3/4", 2", and 3".
Resolution: 2".
Weight: 2.3 oz (65 g).



PIPE-MOUNT BIMETAL SURFACE THERMOMETER

3 Spring Sizes, Fits Pipe Sizes from 3/4" to 6"



Scan here to watch product video

The **SERIES BTP** Pipe-Mount Bimetal Surface Thermometers are designed to accurately measure the surface temperature of a pipe.

FEATURES/BENEFITS

- Pipe mount design complete with mounting hardware
- Fits 3/4" to 6" pipes

APPLICATIONS

- HVAC
- Non-intrusive measurement

MODEL CHART					
Model	Range	Spring Size	Model	Range	Spring Size
BTP251	-50 to 250°F	3/4" to 6"	BTP252	-40 to 120°C	3/4" to 6"
BTP241	0 to 150°F	3/4" to 6"	BTP262	20 to 180°C	3/4" to 6"
BTP261	70 to 370°F	3/4" to 6"	BTP272	20 to 260°C	3/4" to 6"
BTP271	70 to 500°F	3/4" to 6"	BTP242	-18 to 66°C	3/4" to 6"

SPECIFICATIONS

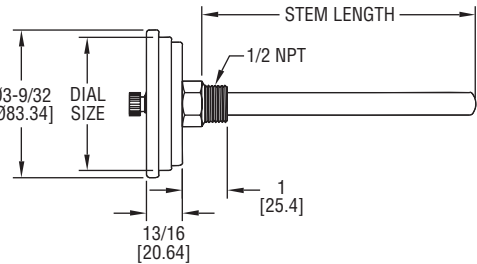
Housing Material: Steel.
Lens: Glass.
Accuracy: ±2%.
Temperature Limits: Ambient: 14 to 302°F (-10 to 150°C).
Dial Size: 2".
Mounting: Spring.
Resolution: < 4% of scale.
Weight: 3.4 oz (95 g).

MAXIMUM/MINIMUM BIMETAL THERMOMETER

Scratch Resistant Glass Lens, Max/Min Temperature Pointer



Scan here to watch product video



The **SERIES BTM3** Bimetal Thermometer with Maximum/Minimum Temperature Pointer accurately measures the current temperature along with a maximum read or minimum read temperatures.

FEATURES/BENEFITS

- Pointer follower indicates max or min temperature the process reached

APPLICATIONS

- Oven monitoring
- Refrigerators

MODEL CHART							
Model	Stem Length	Connection	Range °F (°C)	Model	Stem Length	Connection	Range °F (°C)
BTM3254D	2-1/2"	Back	-40 to 160 (-40 to 71.1)	BTM3606D	6"	Back	50 to 300 (10 to 148.9)
BTM32511D	2-1/2"	Back	0 to 140 (-17.8 to 60)	BTM3608D	6"	Back	150 to 750 (65.5 to 398.9)
BTM32510D	2-1/2"	Back	0 to 200 (-17.8 to 93.3)	BTM3904D	9"	Back	-40 to 160 (-40 to 71.1)
BTM3256D	2-1/2"	Back	50 to 300 (10 to 148.9)	BTM39011D	9"	Back	0 to 140 (-17.8 to 60)
BTM3258D	2-1/2"	Back	150 to 750 (65.5 to 398.9)	BTM39010D	9"	Back	0 to 200 (-17.8 to 93.3)
BTM3404D	4"	Back	-40 to 160 (-40 to 71.1)	BTM3906D	9"	Back	50 to 300 (10 to 148.9)
BTM34011D	4"	Back	0 to 140 (-17.8 to 60)	BTM3908D	9"	Back	150 to 750 (65.5 to 398.9)
BTM34010D	4"	Back	0 to 200 (-17.8 to 93.3)	BTM3124D	12"	Back	-40 to 160 (-40 to 71.1)
BTM3406D	4"	Back	50 to 300 (10 to 148.9)	BTM31211D	12"	Back	0 to 140 (-17.8 to 60)
BTM3408D	4"	Back	150 to 750 (65.5 to 398.9)	BTM31210D	12"	Back	0 to 200 (-17.8 to 93.3)
BTM3604D	6"	Back	-40 to 160 (-40 to 71.1)	BTM3126D	12"	Back	50 to 300 (10 to 148.9)
BTM36011D	6"	Back	0 to 140 (-17.8 to 60)	BTM3128D	12"	Back	150 to 750 (65.5 to 398.9)
BTM36010D	6"	Back	0 to 200 (-17.8 to 93.3)				

SPECIFICATIONS

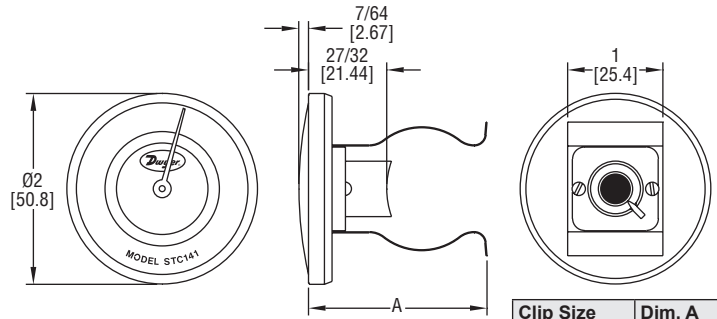
Wetted Materials: 304 SS.
Housing Material: 300 SS.
Lens: Scratch resistant glass.
Accuracy: ±1%.
Temperature Limits: Ambient: 15 to 300°F (-10 to 150°C).
Dial Size: 3".
Process Connection: 1/2" NPT.
Resolution: 2".
Weight: 7.4 oz (210 g).

PIPE-MOUNT BIMETAL SURFACE THERMOMETER

Fits Pipe Sizes from 3/4" to 2-3/8", Clip-on Mount



Scan here to watch product video



Clip Size	Dim. A
3/4 to 7/8	1-5/8 [41.28]
1 to 1-5/8	1-7/8 [47.63]
1-5/8 to 2-3/8	2-1/2 [63.5]

The **SERIES STC** Pipe-Mount Bimetal Surface Thermometers are designed to accurately measure a pipe surface temperature. The STC series is available in three different clip sizes and feature a bimetal spiral spring sensing element that provides quick temperature readings.

FEATURES/BENEFITS

- Integral pipe mount models for 3/4" to 2-3/8" pipe

APPLICATIONS

- HVAC
- Non-intrusive temperature measurement

MODEL CHART					
Model	Range	Pipe Size	Model	Range	Pipe Size
STC151	-50 to 250°F	3/4" to 7/8"	STC361	70 to 370°F	1" to 1-5/8"
STC141	0 to 150°F	3/4" to 7/8"	STC371	70 to 500°F	1" to 1-5/8"
STC161	70 to 370°F	3/4" to 7/8"	STC372	20 to 260°C	1" to 1-5/8"
STC152	-40 to 120°C	3/4" to 7/8"	STC451	-50 to 250°F	1-5/8" to 2-3/8"
STC162	20 to 180°C	3/4" to 7/8"	STC441	0 to 150°F	1-5/8" to 2-3/8"
STC172	20 to 260°C	3/4" to 7/8"	STC461	70 to 370°F	1-5/8" to 2-3/8"
STC351	-50 to 250°F	1" to 1-5/8"	STC462	20 to 180°C	1-5/8" to 2-3/8"
STC341	0 to 150°F	1" to 1-5/8"	STC472	20 to 260°C	1-5/8" to 2-3/8"

SPECIFICATIONS

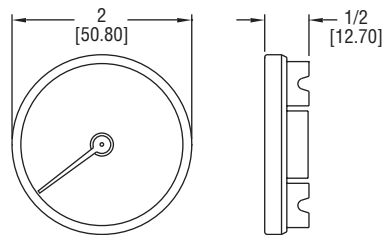
Housing Material: Steel.
Lens: Glass.
Accuracy: ±2%.
Resolution: < 4% of scale.
Temperature Limits: Ambient: 14 to 302°F (-10 to 150°C).
Dial Size: 2".
Mounting: Clip.
Weight: 3.4 oz (95 g).

SURFACE MOUNT THERMOMETER

2" Dual Scale Dial, ±2% FS Accuracy



Scan here to watch product video



The **SERIES ST** Surface Mount Thermometer easily mounts to and measures the temperature of any ferrous surface.

FEATURES/BENEFITS

- Magnetic mount works on any ferrous surface

APPLICATIONS

- HVAC, air ducts
- Refrigerators

MODEL CHART	
Model	Range
ST250	0 to 250°F (-20 to 120°C)
ST500	0 to 500°F (-20 to 260°C)
ST750	50 to 750°F (10 to 400°C)

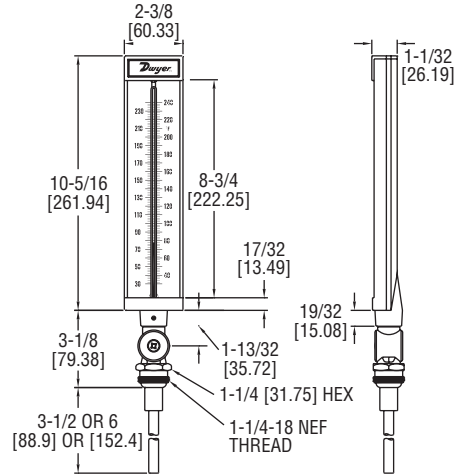
SPECIFICATIONS

Housing Material: Aluminum.
Accuracy: ±2% FS.
Sensing Element: Bimetal coil.
Dial Size: 2" (5.08 cm).
Response Time: Approximately one minute.
Mounting: Two Alnico magnets on back.
Height: 1/2" (1.27 cm).
Weight: 2 oz (56.7 g).



INDUSTRIAL THERMOMETER

9" Scale, Adjustable Angle Stem



The **SERIES IT** Industrial Thermometer allows users to easily take accurate temperature measurements in any environment. The case of the IT series is made of die cast aluminum for extra durability in industrial environments.

FEATURES/BENEFITS

- Organic, non-toxic fill fluid
- Dual scale in °F and °C
- Adjustable stem angle

APPLICATIONS

- Boiler or chiller temperature monitoring

MODEL CHART

3-1/2" Stem Model	Range	6" Stem Model	Range
ITA9351D	-40 to 110°F (-40 to 40°C)	ITA9601D	-40 to 110°F (-40 to 40°C)
ITA9352D	0 to 120°F (-15 to 50°C)	ITA9602D	0 to 120°F (-15 to 50°C)
ITA9353D	0 to 160°F (-15 to 70°C)	ITA9603D	0 to 160°F (-15 to 70°C)
ITA9354D	30 to 180°F (0 to 80°C)	ITA9604D	30 to 180°F (0 to 80°C)
ITA9355D	30 to 240°F (0 to 115°C)	ITA9605D	30 to 240°F (0 to 115°C)
ITA9356D	30 to 300°F (0 to 150°C)	ITA9606D	30 to 300°F (0 to 150°C)
ITA9357D	50 to 400°F (10 to 205°C)		
ITA9358D	100 to 550°F (40 to 300°C)		

SPECIFICATIONS

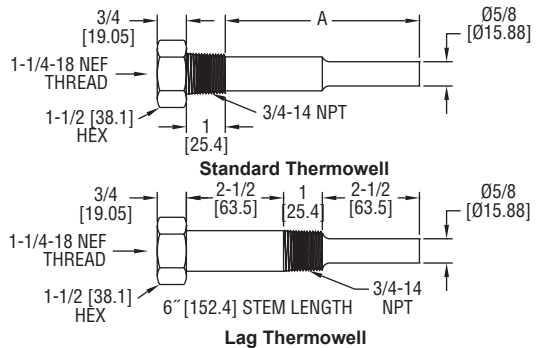
Wetted Material: Tapered cast aluminum with graphite fill.
Housing Material: 9" (228 mm) aluminum.
Lens: Glass.
Accuracy: 1% accuracy.
Scales: Aluminum painted white with black markings.

Process Connection: 1-1/4-18 NEF thread.
Liquid Filling: Organic blue liquid filled tube.
Mounting: Adjustable stem: Vertical plane 180° horizontal plane 360°.
Weight: 1 lb 7 oz (0.65 kg).

Thermometers, Glass

INDUSTRIAL THERMOMETER THERMOWELLS

Fits IT Thermometers with 3-1/2" and 6" Stem Lengths



The **SERIES IT-W** Thermowells reduce installation cost and time by eliminating the need to drain the system when servicing industrial thermometers. The thermowells protect industrial thermometers from high pressure, flow and corrosive media.

FEATURES/BENEFITS

- Designed to fit the Series IT industrial thermometers
- Lag stems available

APPLICATIONS

- Boiler or chiller temperature monitoring

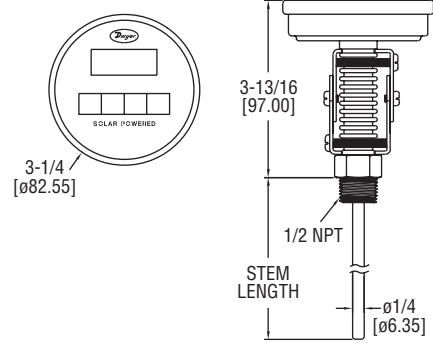
MODEL CHART

Model	Material	Insertion Length	Lag
IT-W01	Brass	2-1/2"	N/A
IT-W11	304 SS	2-1/2"	N/A
IT-W21	316 SS	2-1/2"	N/A
IT-W04	Brass	5"	N/A
IT-W14	304 SS	5"	N/A
IT-W24	316 SS	5"	N/A
IT-W07	Brass	2-1/2"	2-1/2"
IT-W17	304 SS	2-1/2"	2-1/2"
IT-W27	316 SS	2-1/2"	2-1/2"



DIGITAL SOLAR-POWERED BIMETAL THERMOMETER

LCD Display, Adjustable Angle Stem



The **SERIES DBT** Digital Solar-Powered Bimetal Thermometer takes the guesswork out of temperature measurement.

FEATURES/BENEFITS

- Field selectable °F or °C temperature units
- 0.1° resolution
- Adjustable dial position

APPLICATIONS

- Boiler or chiller temperature monitoring
- HVAC duct monitoring

SPECIFICATIONS

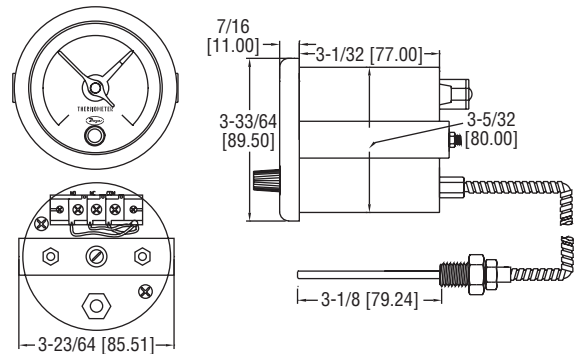
Wetted Materials: 304 SS.
Housing Material: 300 SS.
Lens: Acrylic.
Accuracy: 32 to 122°F (0 to 50°C): ±1% FS.
Dial Size: 3".
Process Connection: 1/2" NPT-adjustable angle.
Display: 3-1/2 digit LCD.
Response Time: 15 seconds.
Supply Power: 3-volt solar cell (minimum 35 LUX required).
Weight: 12 oz (350 g).

MODEL CHART

Model	Stem Length	Range	Model	Stem Length	Range
DBTA3251	2.5"	-58 to 302°F (-50 to 150°C)	DBTA3121	12"	-58 to 302°F (-50 to 150°C)
DBTA3252	2.5"	-58 to 158°F (-50 to 70°C)	DBTA3122	12"	-58 to 158°F (-50 to 70°C)
DBTA3401	4"	-58 to 302°F (-50 to 150°C)	DBTA3151	15"	-58 to 302°F (-50 to 150°C)
DBTA3402	4"	-58 to 158°F (-50 to 70°C)	DBTA3152	15"	-58 to 158°F (-50 to 70°C)
DBTA3601	6"	-58 to 302°F (-50 to 150°C)	DBTA3181	18"	-58 to 302°F (-50 to 150°C)
DBTA3602	6"	-58 to 158°F (-50 to 70°C)	DBTA3182	18"	-58 to 158°F (-50 to 70°C)
DBTA3901	9"	-58 to 302°F (-50 to 150°C)	DBTA3241	24"	-58 to 302°F (-50 to 150°C)
DBTA3902	9"	-58 to 158°F (-50 to 70°C)	DBTA3242	24"	-58 to 158°F (-50 to 70°C)

REMOTE READING THERMOMETER WITH SWITCH

SPDT Relay, Liquid Actuated Bulb and Capillary



The **SERIES RRT3** Remote Reading Thermometer with Switch combines an easy to read 3-1/4" dual scale dial thermometer and a SPDT relay. Color coordinated pointers display the current process temperature and set point.

FEATURES/BENEFITS

- Quick connect electrical terminals
- Industrial armored capillary

APPLICATIONS

- High temp shut down in process applications
- Boiler or chiller control

MODEL CHART

Model	Temperature Ranges
RRT3120U	-40 to 120°F (-40 to 50°C)
RRT3250U	32 to 248°F (0 to 120°C)
RRT3300U	0 to 300°F (-18 to 149°C)

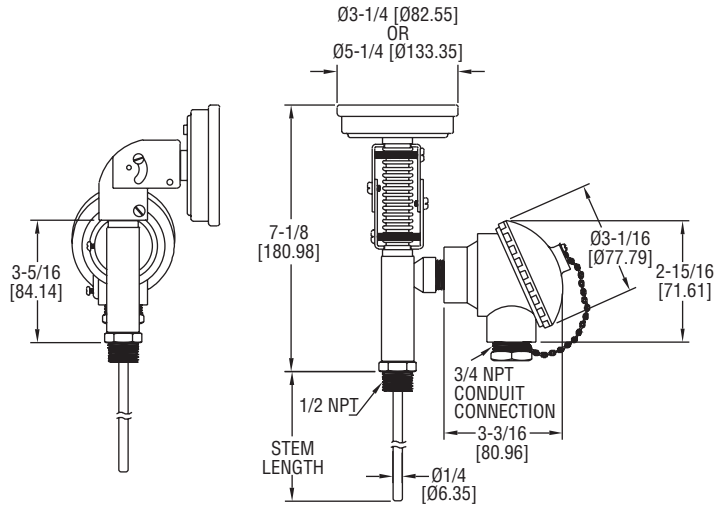
SPECIFICATIONS

Wetted Materials: Brass.
Accuracy: ±3% FS.
Housing Material: 304 SS.
Temperature Limit: -4 to 158°F (-20 to 70°C).
Switch Type: SPDT.
Electrical Ratings: 3 A @ 250 VAC, .2 A @ 250 VDC.
Electrical Connections: Screw terminal.
Process Connection: 1/2" (12.7 mm) male NPT.
Dial Size: 3-1/2" (90 mm).
Capillary Length: 10.5" (3.2 m).
Bulb Length: 3-1/8" (79.24 mm).
Weight: 2 lb (900 g).



BIMETAL THERMOMETER WITH TRANSMITTER OUTPUT

Bimetal Stem with 4 to 20 mA Output, 3" or 5" Dial



The **SERIES BTO** Bimetal Thermometer with Transmitter Output eliminates the need for a separate thermometer and transmitter.

FEATURES/BENEFITS

- Thermometer and transmitter in one device
- Weatherproof construction

APPLICATIONS

- Boilers
- Compressors
- Thermal oxidizers

SPECIFICATIONS

THERMOMETER SPECIFICATIONS

Wetted Materials: 304 SS.
Housing Material: 304 SS.
Lens: Glass.
Accuracy: ±1% FS.
Temperature Limits: Ambient: -58 to 185°F (-50 to 85°C).
Dial Size: 3" or 5".
Process Connection: 1/2" NPT.
Resolution: 2°F (5°F for 400°F and 550°F models).
Weight: 1.95 lb.

TRANSMITTER SPECIFICATIONS

Temperature Limits: Ambient: -58 to 185°F (-50 to 85°C).
Power Requirement: 10 to 33 VDC.
Output Signal: 4 to 20 mA.
Loop Resistance: 1045 Ω.
Power Consumption: 38 mA.
Enclosure Rating: NEMA 4X (IP66).

MODEL CHART							
Model	Dial Size	Stem Length	Range	Model	Dial Size	Stem Length	Range
BTO325101	3"	2.5"	0 to 200°F	BTO525101	5"	2.5"	0 to 200°F
BTO32551	3"	2.5"	0 to 250°F	BTO52551	5"	2.5"	0 to 250°F
BTO32561	3"	2.5"	50 to 300°F	BTO52561	5"	2.5"	50 to 300°F
BTO325121	3"	2.5"	50 to 400°F	BTO525121	5"	2.5"	50 to 400°F
BTO32571	3"	2.5"	50 to 550°F	BTO52571	5"	2.5"	50 to 550°F
BTO340101	3"	4"	0 to 200°F	BTO540101	5"	4"	0 to 200°F
BTO34051	3"	4"	0 to 250°F	BTO54051	5"	4"	0 to 250°F
BTO34061	3"	4"	50 to 300°F	BTO54061	5"	4"	50 to 300°F
BTO340121	3"	4"	50 to 400°F	BTO540121	5"	4"	50 to 400°F
BTO34071	3"	4"	50 to 550°F	BTO54071	5"	4"	50 to 550°F
BTO360101	3"	6"	0 to 200°F	BTO560101	5"	6"	0 to 200°F
BTO36051	3"	6"	0 to 250°F	BTO56051	5"	6"	0 to 250°F
BTO36061	3"	6"	50 to 300°F	BTO56061	5"	6"	50 to 300°F
BTO360121	3"	6"	50 to 400°F	BTO560121	5"	6"	50 to 400°F
BTO36071	3"	6"	50 to 550°F	BTO56071	5"	6"	50 to 550°F
BTO390101	3"	9"	0 to 200°F	BTO590101	5"	9"	0 to 200°F
BTO39051	3"	9"	0 to 250°F	BTO59051	5"	9"	0 to 250°F
BTO39061	3"	9"	50 to 300°F	BTO59061	5"	9"	50 to 300°F
BTO390121	3"	9"	50 to 400°F	BTO590121	5"	9"	50 to 400°F
BTO39071	3"	9"	50 to 550°F	BTO59071	5"	9"	50 to 550°F
BTO312101	3"	12"	0 to 200°F	BTO512101	5"	12"	0 to 200°F
BTO31251	3"	12"	0 to 250°F	BTO51251	5"	12"	0 to 250°F
BTO312061	3"	12"	50 to 300°F	BTO512061	5"	12"	50 to 300°F
BTO312121	3"	12"	50 to 400°F	BTO512121	5"	12"	50 to 400°F
BTO31271	3"	12"	50 to 550°F	BTO51271	5"	12"	50 to 550°F

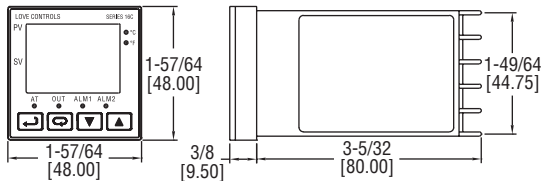
Thermometers with Transmitter

TEMPERATURE LOOP CONTROLLERS

Universal Temperature Input, Single Control Output, RS-485 Communication



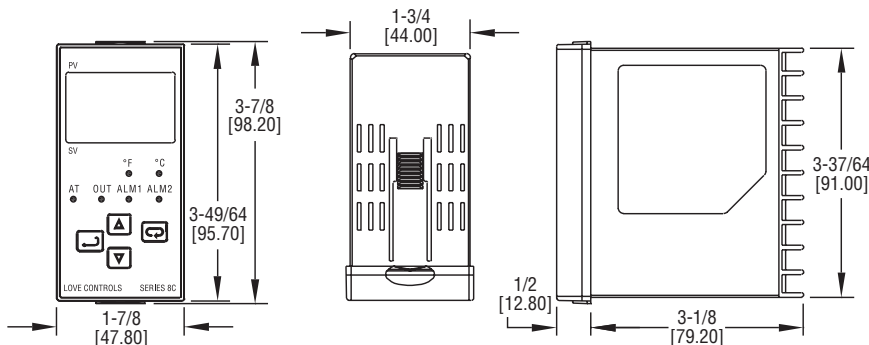
16C



16C



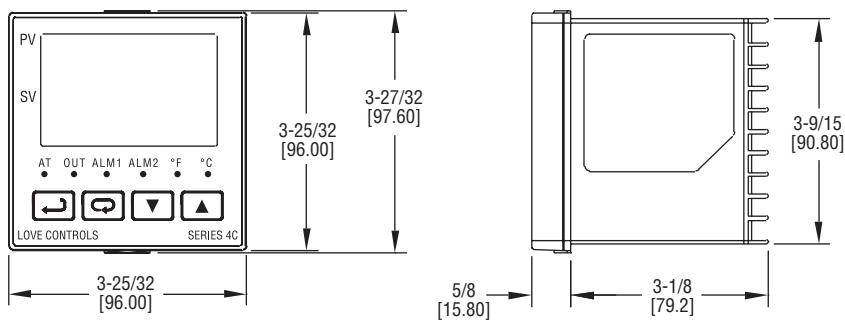
8C



8C



4C



4C

The **SERIES 16C, 8C, AND 4C** Temperature Loop Controllers offer advanced control features for the most demanding temperature or process applications. Offered in 3 standard DIN cutout housing sizes, these controllers are designed with dual, 4 digit LED displays for local indication of the process value, setpoint, and output conditions.

FEATURES/BENEFITS

- Universal input accepts RTD or thermocouple sensors
- On/Off, PID, or manual output control
- RS-485 standard on all models

APPLICATIONS

- Oven, boiler, or chiller control
- Hot plates/melt pots
- Food service equipment
- Environmental chambers
- Packaging equipment

MODEL CHART	
Model	Output
16C-2	Voltage pulse
16C-3	Relay
16C-5	Current

MODEL CHART	
Model	Output
8C-2	Voltage pulse
8C-3	Relay
8C-5	Current

MODEL CHART	
Model	Output
4C-2	Voltage pulse
4C-3	Relay
4C-5	Current

ACCESSORIES

Model	Description
MN-1	Mini-Node™ RS-485 to USB converter
SCD-SW	Configuration software
A-600	R/C snubber

SPECIFICATIONS

Inputs: Thermocouple or RTD.
Display: Two 4 digit, 7 segment LED's. PV: Red, SV: Green.
Accuracy: ±0.25% of span, ±1 least significant digit.
Power Requirements: 100 to 240 VAC, 50/60 Hz.
Power Consumption: 5 VA max.
Operating Temperature: 32 to 122°F (0 to 50°C).
Memory Backup: Nonvolatile memory.
Control Output Ratings: Relay: SPST, 5 A @ 250 VAC resistive for 16C; SPDT, 5 A @ 250 VAC resistive for 8C and 4C; Voltage Pulse: 14 VDC (max. 40 mA); Current: 4 to 20 mA.
Communication: RS-485 Modbus® ASCII/RTU communication protocol.
Weight: 4 oz (114g) for 16C, 15 oz (425g) for 8C and 4C.
Front Panel Rating: IP56.
Agency Approvals: CE, cULus.

INPUT RANGES

Input Types	Range
K Type TC	-328 to 2372°F (-200 to 1300°C)
K Type TC	-328 to 932°F (-200 to 500°C)
J Type TC	-148 to 2192°F (-100 to 1200°C)
J Type TC	-4 to 752°F (-20 to 400°C)
T Type TC	-328 to 752°F (-200 to 400°C)
T Type TC	4 to 752°F (-20 to 400°C)
E Type TC	32 to 1112°F (0 to 600°C)
N Type TC	-328 to 2372°F (-200 to 1300°C)
R Type TC	32 to 3092°F (0 to 1700°C)
S Type TC	32 to 3092°F (0 to 1700°C)
B Type TC	212 to 3272°F (100 to 1800°C)
L Type TC	-328 to 932°F (-200 to 500°C)
U Type TC	-328 to 1472°F (-200 to 800°C)
Pt 100 RTD	-328 to 1112°F (-200 to 600°C)
Pt 100 RTD	-4 to 932°F (-20 to 500°C)
Pt 100 RTD	32 to 212°F (0 to 100°C)

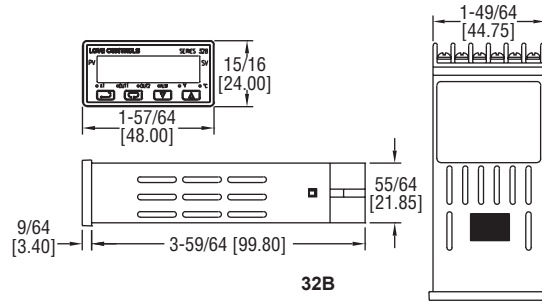
Modbus® is a registered trademark of Schneider Automation, Inc.

TEMPERATURE/PROCESS LOOP CONTROLLERS

Universal Input, Dual Control Output, RS-485 Communication



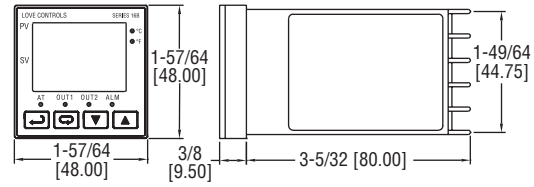
32B



32B



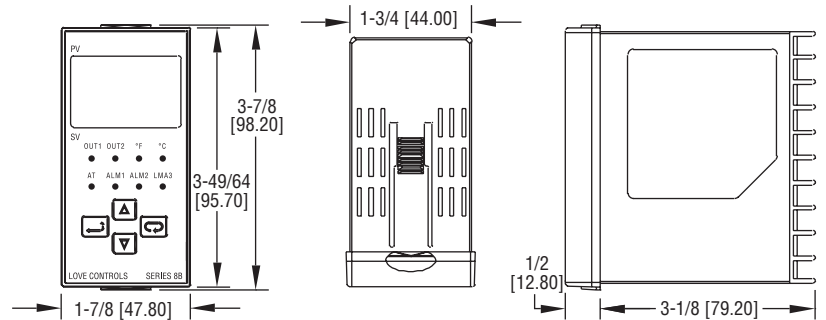
16B



16B



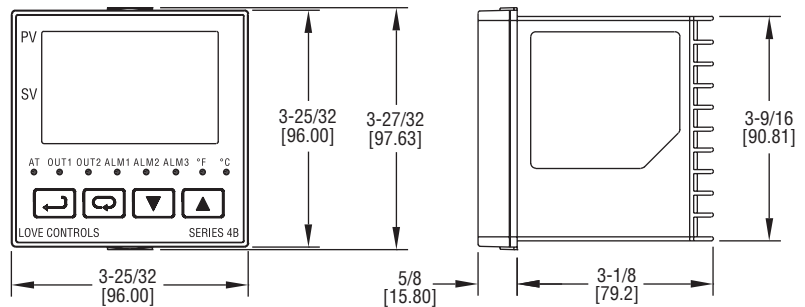
8B



8B



4B



4B

The **SERIES 32B, 16B, 8B, AND 4B** Temperature/Process controllers offer advanced control features for the most demanding temperature or process applications. Offered in 4 standard DIN cutout housing sizes, these controllers are designed with dual, 4 digit LED displays for local indication of the process value, setpoint, and output conditions.

FEATURES/BENEFITS

- Universal input accepts process transmitters, RTD's or thermocouple signals
- On/off, PID, or manual output control
- RS-485 standard on all models
- Stage control program for up to 64 ramp/soak actions

APPLICATIONS

- Oven, boiler, or chiller control
- Hot plates/melt pots
- Packaging equipment
- Environmental chambers
- Medical equipment
- Food service equipment

SPECIFICATIONS

Inputs: Thermocouple, RTD, DC voltages or DC current.
Display: Two 4 digit, 7 segment LED's. PV: Red, SV: Green.
Accuracy: ±0.25% span, ±1 least significant digit.
Power Requirements: 100 to 240 VAC, 50/60 Hz; Optional 24 VDC.
Power Consumption: 5 VA max.
Operating Temperature: 32 to 122°F (0 to 50°C).
Memory Backup: Nonvolatile memory.
Control Output Ratings: Relay: SPST, 3 A @ 250 VAC resistive for 32B; SPST, 5 A @ 250 VAC resistive for 16B; SPDT, 5 A @ 250 VAC resistive for 8B and 4B; Voltage pulse: 14 VDC (max. 40 mA); Current: 4 to 20 mA; Linear voltage: 0 to 10 V.
Communication: RS-485 Modbus® ASCII/RTU communication protocol.
Weight: 32B and 16B: 4 oz (114 g); 8B and 4B: 15 oz (425 g).
Front Panel Rating: IP56.
Agency Approvals: CE, cULus.

TEMPERATURE/PROCESS LOOP CONTROLLERS

Universal Input, Dual Control Output, RS-485 Communication

MODEL CHART - 32B			
Model	Supply Power	Output 1	Output 2
32B-23	100 to 240 VAC	Voltage pulse	Relay
32B-23-LV	24 VDC	Voltage pulse	Relay
32B-33	100 to 240 VAC	Relay	Relay
32B-33-LV	24 VDC	Relay	Relay
32B-53	100 to 240 VAC	Current	Relay
32B-53-LV	24 VDC	Current	Relay

MODEL CHART - 16B			
Model	Supply Power	Output 1	Output 2
16B-23	100 to 240 VAC	Voltage pulse	Relay
16B-23-LV	24 VDC	Voltage pulse	Relay
16B-33	100 to 240 VAC	Relay	Relay
16B-33-LV	24 VDC	Relay	Relay
16B-53	100 to 240 VAC	Current	Relay
16B-53-LV	24 VDC	Current	Relay
16B-63	100 to 240 VAC	Linear voltage	Relay
16B-63-LV	24 VDC	Linear voltage	Relay

MODEL CHART - 8B			
Model	Supply Power	Output 1	Output 2
8B-23	100 to 240 VAC	Voltage pulse	Relay
8B-23-LV	24 VDC	Voltage pulse	Relay
8B-33	100 to 240 VAC	Relay	Relay
8B-33-LV	24 VDC	Relay	Relay
8B-53	100 to 240 VAC	Current	Relay
8B-53-LV	24 VDC	Current	Relay
8B-63	100 to 240 VAC	Linear voltage	Relay
8B-63-LV	24 VDC	Linear voltage	Relay

MODEL CHART - 4B			
Model	Supply Power	Output 1	Output 2
4B-23	100 to 240 VAC	Voltage pulse	Relay
4B-23-LV	24 VDC	Voltage pulse	Relay
4B-33	100 to 240 VAC	Relay	Relay
4B-33-LV	24 VDC	Relay	Relay
4B-53	100 to 240 VAC	Current	Relay
4B-53-LV	24 VDC	Current	Relay
4B-63	100 to 240 VAC	Linear voltage	Relay
4B-63-LV	24 VDC	Linear voltage	Relay
4B-33-986/U	120 VAC	Relay	Relay

Application Note:

When using a relay output to operate a contactor or solenoid an R/C snubber should be installed across the coil to prevent damage to the controller relays.



4B-33-986/U Benchtop Controller

INPUT RANGES	
Input Types	Range
K Type TC	-328 to 2372°F (-200 to 1300°C)
J Type TC	-148 to 2192°F (-100 to 1200°C)
T Type TC	-328 to 752°F (-200 to 400°C)
E Type TC	32 to 1112°F (0 to 600°C)
W Type TC	-328 to 2372°F (-200 to 1300°C)
R Type TC	32 to 3092°F (0 to 1700°C)
S Type TC	32 to 3092°F (0 to 1700°C)
B Type TC	212 to 3272°F (100 to 1800°C)
L Type TC	-328 to 1562°F (-200 to 850°C)
U Type TC	-328 to 932°F (-200 to 500°C)
JPt 100 RTD	-4 to 752°F (-20 to 400°C)
Pt 100 RTD	-328 to 1562°F (-200 to 850°C)
0 to 5 V	-999 to 9999
0 to 10 V	-999 to 9999
0 to 20 mA*	-999 to 9999
4 to 20 mA*	-999 to 9999
0 to 50 mV	-999 to 9999

*Requires 250 Ω precision resistor across input terminals

ACCESSORIES	
Model	Description
MN-1	Mini-Node™ USB/RS-485 converter
SCD-SW	Configuration software
A-277	250 Ω precision resistor
A-600	R/C snubber
A-900	Weatherproof front mount enclosure
A-901	Weatherproof internal mount enclosure with window



A-600



MN-1



A-900



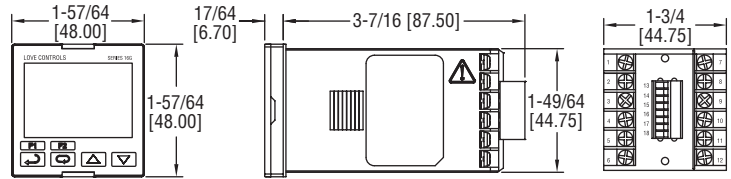
A-901

TEMPERATURE/PROCESS LOOP CONTROLLERS

Universal Input, Dual Output, On/Off PID or FUZZY Logic Output Control



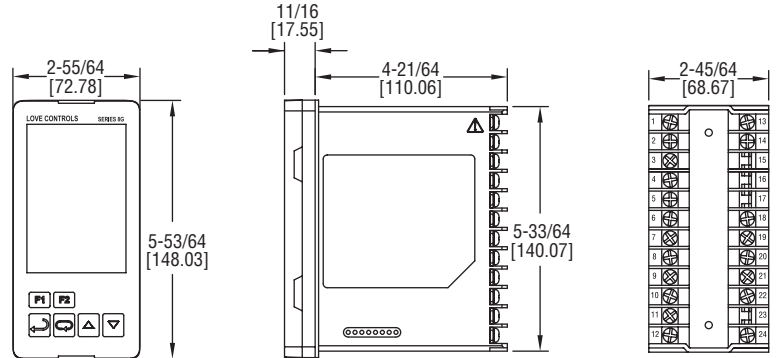
16G



16G



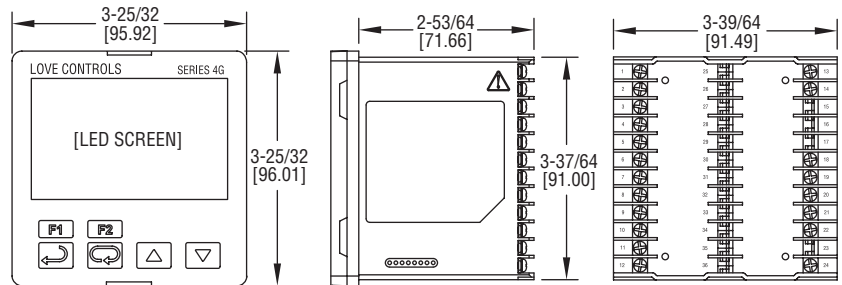
8G



8G



4G



4G

The **SERIES 16G, 8G, AND 4G** Temperature/Process Loop Controllers allow for monitoring and control of temperature or process conditions. The controller features two independent control outputs for dual loop control using on/off, auto-tune or self-tune PID, fuzzy logic, or manual control methods. RS-485 interface is included with Modbus® communication protocol, for easy bench-top configuration or integration with a PLC or data control system.

FEATURES/BENEFITS

- On/off, PID, fuzzy logic, or manual output control
- Constant, sloped, program (ramp/soak), or remote set-point control
- 2 primary control outputs, 2 secondary/alarm relay outputs, and RS-485 standard on all models
- Options for remote set-point, input retransmission, or event input functions available with optional hardware

APPLICATIONS

- Oven control
- Packaging equipment
- Parts washers

SPECIFICATIONS

Inputs: Thermocouple, RTD, DC voltages or DC current.
Display: Process value: 4 digit, 0.47" H (12mm), orange LCD; Set point value: 4 digit, 0.47" H (12mm), green LCD.
Accuracy: ± 1.8°F plus ±0.3% of span (±1°C plus ±0.3% of span) at 77°F (25°C) after 20 minutes warm up.
Power Requirements: 100 to 240 VAC -20/+8%, 50/60 Hz; Optional 24 VDC, ±10%.
Power Consumption: 5 VA max.
Operating Temperature: 32 to 122°F (0 to 50°C).
Storage Temperature: -42 to 150°F (-20 to 65°C).
Memory Backup: Nonvolatile memory.
Control Output Ratings: Relay: SPST, 5 A @ 250 VAC resistive; Voltage pulse: 12 V (max. 40 mA); Current: 4 to 20 mA; Linear voltage: 0 to 10 V.
Alarm Relay Ratings: 3 A @ 250 VAC resistive.
Communication: RS-485 Modbus® ASCII/RTU communication protocol.
Weight: 9 oz (255g).
Front Panel Rating: IP66.
Agency Approvals: CE, cULus.

TEMPERATURE/PROCESS LOOP CONTROLLERS

Universal Input, Dual Output, On/Off PID or FUZZY Logic Output Control

MODEL CHART - 16G				
Model	Output 1	Output 2	Output 1	Output 2
16G-23-11	Voltage pulse	Relay	Event	Event
16G-23-31	Voltage pulse	Relay	Input retrans.	Event
16G-23-32	Voltage pulse	Relay	Input retrans.	Remote SP
16G-33-11	Relay	Relay	Event	Event
16G-33-31	Relay	Relay	Input retrans.	Event
16G-33-32	Relay	Relay	Input retrans.	Remote SP
16G-53-11	Current	Relay	Event	Event
16G-53-31	Current	Relay	Input retrans.	Event
16G-53-32	Current	Relay	Input retrans.	Remote SP
16G-63-11	Linear voltage	Relay	Event	Event
16G-63-31	Linear voltage	Relay	Input retrans.	Event
16G-63-32	Linear voltage	Relay	Input retrans.	Remote SP

MODEL CHART - 8G				
Model	Output 1	Output 2	Output 1	Output 2
8G-23-31	Voltage pulse	Relay	Input retrans.	Event
8G-23-32	Voltage pulse	Relay	Input retrans.	Remote SP
8G-33-31	Relay	Relay	Input retrans.	Event
8G-33-32	Relay	Relay	Input retrans.	Remote SP
8G-53-31	Current	Relay	Input retrans.	Event
8G-53-32	Current	Relay	Input retrans.	Remote SP
8G-63-31	Linear voltage	Relay	Input retrans.	Event
8G-63-32	Linear voltage	Relay	Input retrans.	Remote SP

MODEL CHART - 4G				
Model	Output 1	Output 2	Output 1	Output 2
4G-23-11	Voltage pulse	Relay	Event	Event
4G-23-31	Voltage pulse	Relay	Input retrans.	Event
4G-23-32	Voltage pulse	Relay	Input retrans.	Remote SP
4G-33-11	Relay	Relay	Event	Event
4G-33-31	Relay	Relay	Input retrans.	Event
4G-33-32	Relay	Relay	Input retrans.	Remote SP
4G-53-11	Current	Relay	Event	Event
4G-53-31	Current	Relay	Input retrans.	Event
4G-53-32	Current	Relay	Input retrans.	Remote SP
4G-63-11	Linear voltage	Relay	Event	Event
4G-63-31	Linear voltage	Relay	Input retrans.	Event
4G-63-32	Linear voltage	Relay	Input retrans.	Remote SP

INPUT RANGES	
Input Types	Range
K Type TC	-328 to 2372°F (-200 to 1300°C)
J Type TC	-148 to 2192°F (-100 to 1200°C)
T Type TC	-328 to 752°F (-200 to 400°C)
E Type TC	32 to 1112°F (0 to 600°C)
N Type TC	-328 to 2372°F (-200 to 1300°C)
R Type TC	32 to 3092°F (0 to 1700°C)
S Type TC	32 to 3092°F (0 to 1700°C)
B Type TC	212 to 3272°F (100 to 1800°C)
L Type TC	-328 to 1562°F (-200 to 850°C)
U Type TC	-328 to 932°F (-200 to 500°C)
TXK Type TC	-328 to 1472 °F (-200 to 800 °C)
JPt 100 RTD	-4 to 752 °F (-20 to 400 °C)
Pt 100 RTD	-328 to 1562 °F (-200 to 850 °C)
Ni 120 RTD	-112 to 572 °F (-80 to 300 °C)
Cu 50 RTD	-58 to 302 °F (-50 to 150 °C)
0 to 5 V	-999 to 9999
0 to 10 V	-999 to 9999
0 to 20 mA*	-999 to 9999
4 to 20 mA*	-999 to 9999
0 to 50 mV	-999 to 9999

*Requires 250 Ω precision resistor across input terminals

ACCESSORIES	
Model	Description
MN-1	Mini-Node™ RS-485 to USB Converter
SCD-SW	Configuration software
A-277	250 Ω precision resistor
A-600	R/C snubber
A-900	Weatherproof front mount enclosure
A-901	Weatherproof internal mount enclosure with window

Application Note:

When using a relay output to operate a contactor or solenoid an R/C snubber should be installed across the coil to prevent damage to the controller relays.



A-600



MN-1



A-900



A-901

DIN RAIL TEMPERATURE/PROCESS CONTROLLER

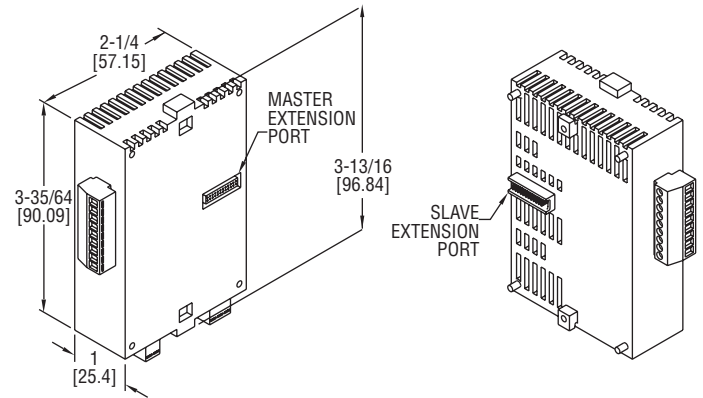
Universal Inputs, Up to 8 PID Loops, Modbus® Communications



Master Controller



Slave Controller



The DIN Rail Mount **SERIES SCD** offers multiple PID loops in a compact size. Each SCD-1000 master controller can be combined with up to seven SCD-2000 slave controllers without any wires. Each controller has one universal input, one relay output and one user selected output.

FEATURES/BENEFITS

- Expandable from 1 to 8 process control loops
- Universal transmitter or temperature sensor inputs
- RS-485 Modbus® communication
- Dual loop or single loop/alarm output control

APPLICATIONS

- Industrial processed
- Packaging equipment

MODEL CHART			
Model	Controller	Output 1	Output 2
SCD-1023	Master	Voltage pulse	Relay
SCD-1033	Master	Relay	Relay
SCD-1053	Master	Current	Relay
SCD-1063	Master	Linear voltage	Relay
SCD-2023	Slave	Voltage pulse	Relay
SCD-2033	Slave	Relay	Relay
SCD-2053	Slave	Current	Relay
SCD-2063	Slave	Linear voltage	Relay

*DC current input requires 250 Ω precision resistor

SPECIFICATIONS

Inputs: Thermocouple, RTD, DC linear voltage, and DC currents.*
Supply Voltage: 24 VDC.
Power Consumption: 3 W.
Operating Temperature: 32 to 122°F (0 to 50°C).
Memory Backup: Non-volatile.

Control Output Ratings: Relay: 3 A @ 250 VAC resistive; Voltage pulse: 12 VDC, max. output current: 40 mA; Current: 4 to 20 mA output; Linear voltage: 0 to 10 VDC.
Communication: RS-485 Modbus® A-5-11/RTU communication protocol.
Weight: 2.7 oz (76.5 g).
Agency Approvals: CE, RoHS, cULus.

ACCESSORIES

Model	Description
SCD-PS	100 to 240 VAC/VDC to 24 VDC power supply
SCD-SW	Configuration software
A-277	250 ohm precision resistor
MN-1	Mini-Node™ USB/RS-485 converter
A-600	R/C snubber

Modbus® is a registered trademark of Schneider Automation, Inc.

CONFIGURATION MONITORING & LOGGING SOFTWARE

Designed for Love Temperature Controls



MODEL LOVELINK™ III Configuration, Monitoring and Logging Software is an easy to use program allowing connection of up to 40 controls on a single computer port. Data logging can be set up by individual control with varying logging parameters.

FEATURES/BENEFITS

- Address and store data for up to 40 controls
- Data logging at individually adjustable rates
- On-screen graphing for up to 10 zones
- Upload and download control configuration profiles
- Save and retrieve control configuration profiles

COMPUTER REQUIREMENTS

The Lovelink™ III software application will run on Windows® 2000 and Windows® XP Software. One available RS-232 or RS-485 port is needed to communicate with the temperature control(s). A minimum of 4 MB of hard disk space is needed for the Lovelink™ III software application files, and additional hard disk space is needed to store temperature log files. Log file size will vary depending on the Duration and Rate selected for the controls and the number of controls on line.

CONTROL REQUIREMENTS

The temperature controls supported by Lovelink™ III software are the Love 4B, 4C, 2600, 8B, 8C, 8600, 16A, 16B, 16C, 16L, 32A, 32B, 32DZ, SCD and SCZ Series.

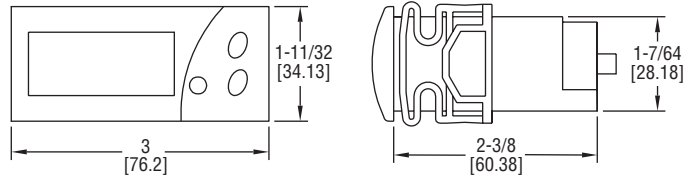
MODEL CHART	
Model	
LOVELINK III	

ACCESSORIES	
Model	Description
MN-1	Mini-Node™ USB/RS-485 converter

Windows® is a registered trademark of Microsoft Corporation
 Windows NT® is a registered trademark of Microsoft Corporation

TEMPERATURE/PROCESS INDICATOR

Low Cost, 3-Digit Display, 1% Accuracy



The **SERIES TID** displays temperature or a process value measured by a PTC or NTC thermistor or a 4 to 20 mA transmitter.

FEATURES/BENEFITS

- Thermistor or transmitter input models available
- 3 digit bright LED

APPLICATIONS

- Panel process indication
- Refrigerators, walk in coolers

SPECIFICATIONS

Range: -58 to 302°F (thermistor); -999 to 999 counts (4 to 20 mA).
Input: PTC/NTC thermistor or 4 to 20 mA.
Power Requirements: 115 VAC, 230 VAC, 24 VAC/DC.
Accuracy: > 1%.
Display: 3-digits; red, green or blue display.
Resolution: 1° or 0.1 count.
Front Panel Rating: IP64 (NEMA 3R).
Weight: 2.3 oz (65 g).
Agency Approvals: CE, cUR, UR.

ACCESSORIES

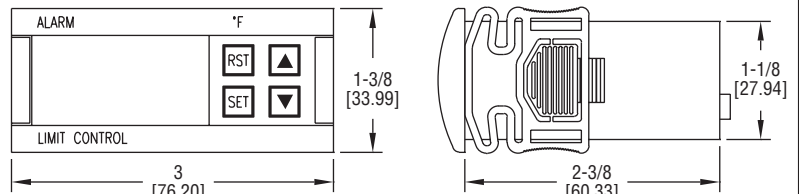
See page reference 1 below.

MODEL CHART			
Model	Input	Supply Power	Unit
TID-1110	PTC thermistor	115 VAC	°F
TID-1120	PTC thermistor	115 VAC	°C
TID-1410	PTC thermistor	24 VAC/DC	°F
TID-3100	4 to 20 mA	115 VAC	None
TID-3200	4 to 20 mA	230 VAC	None
TID-3400	4 to 20 mA	24 VAC/DC	None

1 Digital Temperature Switch Probes and Accessories: See page 215 (Series TS-Probes)

THERMOCOUPLE LIMIT CONTROL

UL Approved Temperature Limit Control



Panel Cutout 2-51/64" x 1-9/64" (71 x 29 mm)

The **SERIES TSF-DF** Digital Thermocouple Limit Alarm is a UL approved temperature limit control that provides visual alarm status along with a relay output. The Series TSF-DF controls have a built in reset button on the front panel or can accept an external reset signal.

Program settings on model TSF-DF controls cannot be changed through the buttons on the device. It is necessary to purchase a model TSF-MDF and a model TS2-K in addition to the model TSF-DF. Desired program parameters are entered on a TSF-MDF programming control. Using the TS2-K configuration key, the parameters can be easily copied from the TSF-MDF and transferred to the TSF-DF Limit Alarms.

FEATURES/BENEFITS

- UL approved limit control

APPLICATIONS

- Gas fired oven and burner control

MODEL CHART			
Model	Control	Supply Power	Unit
TSF-4010-DF	Limit alarm	115 VAC	°F
TSF-4011-DF	Limit alarm	115 VAC	°C
TSF-4021-DF	Limit alarm	230 VAC	°C
TSF-4040-DF	Limit alarm	24 VAC/VDC	°F
TSF-4010-MDF	Programming control	115 VAC	°F
TSF-4011-MDF	Programming control	115 VAC	°C
TSF-4021-MDF	Programming control	230 VAC	°C
TSF-4040-MDF	Programming control	24 VAC/VDC	°F

SPECIFICATIONS

Probe Range: 32 to 999°F (0 to 700°C) for thermocouple J type; 32 to 999°F (0 to 999°C) for thermocouple K or S type.
Input: Type J, K, or S thermocouple.
Output: NO SPST relay rated 16 A @ 240 VAC resistive.
Horsepower Rating (HP): 1 HP.
Control Type: ON/OFF; manual/automatic reset.
Power Requirements: See model chart.
Power Consumption: 4 VA @ 230 VAC.
Accuracy: ±1% FS.
Display: 3-digit, red, 1/2" (12.7 mm) digits, plus sign.
Resolution: 1°.
Memory Backup: Nonvolatile memory.
Ambient Operating Temperature: 32 to 140°F (0 to 60°C).
Storage Temperature: -4 to 176°F (-20 to 80°C).
Weight: 2.3 oz (65 g).
Front Panel Rating: IP64.
Agency Approvals: CE, cUR, UR (DF models only).

ACCESSORIES

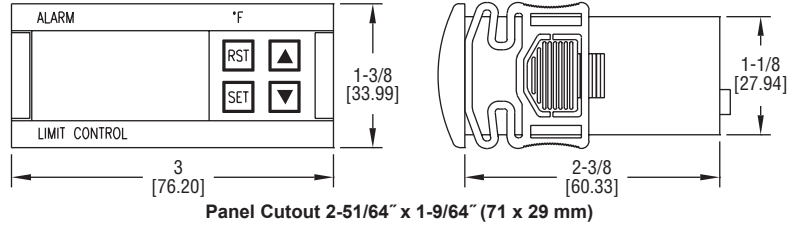
See page reference 1 below.

1 Digital Temperature Switch Probes and Accessories: See page 215 (Series TS-Probes)



THERMOCOUPLE LIMIT CONTROL

FM Approved Temperature Limit Control



The **SERIES TSF** Thermocouple FM Approved Limit Control provides audible alarm status along with a relay output. Unit allows the user to easily select automatic or manual reset via a built in reset button on the front panel or an external contact.

FEATURES/BENEFITS

- FM approved temperature limiting control
- Integral and remote reset capabilities

APPLICATIONS

- Gas fired oven and burner control

MODEL CHART		
Model	Supply Power	Unit
TSF-4010	115 VAC	°F
TSF-4011	115 VAC	°C
TSF-4021	230 VAC	°C
TSF-4040	24 VAC/VDC	°F

SPECIFICATIONS

Probe Range: 32 to 999°F (0 to 700°C) for Type J thermocouple; 32 to 999°F (0 to 999°C) for type K or S thermocouples.
Input: Type J, K or S thermocouple.
Output: SPDT relay rated 16 A @ 240 VAC resistive.
Horsepower Rating (HP): 1 HP.
Control Type: ON/OFF; manual/automatic reset.
Power Requirements: 115 VAC, 230 VAC, 12 VAC/VDC or 24 VAC/VDC (depending on model).

Power Consumption: 4 VA.
Accuracy: ±1% FS.
Display: 3-digit, red, 1/2" (12.7 mm) digits, plus sign.
Resolution: 1°.
Memory Backup: Nonvolatile memory.
Temperature Limits: Ambient: 32 to 150°F (0 to 65°C); Storage: -4 to 176°F (-20 to 80°C).
Weight: 2.3 oz (65 g).
Front Panel Rating: IP64 (NEMA 3R).
Agency Approvals: CE, FM, cURus.

ACCESSORIES

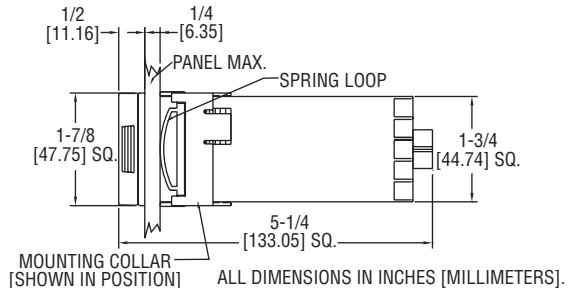
See page reference 1 below.

• Digital Temperature Switch Probes and Accessories: See page 215 (Series TS-Probes)



LIMIT CONTROL

FM Approved, Large Dual Display, Universal Input



The **SERIES 16L** Temperature/Process CONTROL OFFER FM Approved Limit Control with universal input, single set point or dual set point control.

FEATURES/BENEFITS

- Remote or integral reset button
- Peak and valley temperature indication
- Open sensor protection

APPLICATIONS

- Gas fired heater limit control

MODEL CHART		
Model	Output A	Output B
16L2030	N.O. relay	None
16L2034	N.O. relay	N.C. relay

Note: For other configurations, see website

ACCESSORY	
Model	Description
A-600	R/C snubber

SPECIFICATIONS

Selectable Inputs: 10 thermocouple, 4 RTD, DC voltage, or DC current selectable.
Display: Two 4 digit, 7 segment 0.3" (7.62 mm) high LEDs.
Accuracy: ±0.25% of span, ±1 least significant digit.
Power Requirements: 100 to 240 VAC, nominal, +10 -15%, 50 to 400 Hz. single phase; 132 to 240 VDC, nominal, +10 -20%.

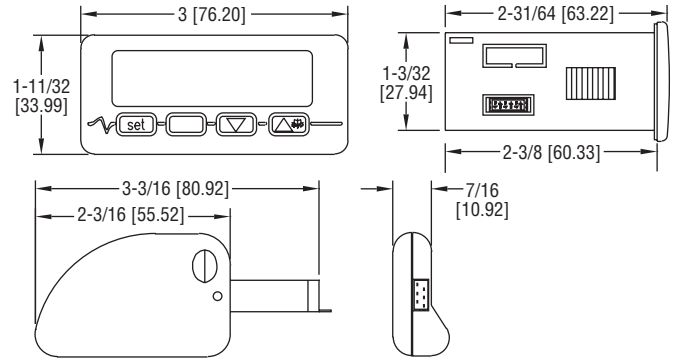
Power Consumption: 5 VA maximum.
Temperature Limits: 14 to 131°F (-10 to 55°C).
Memory Backup: Nonvolatile memory. No batteries required.
Output: Relay: SPST, 3 A @ 240 VAC resistive; 1.5 A @ 240 VAC inductive.
Weight: 8 oz (227 g).
Front Panel Rating: NEMA 4X (IP66).
Agency Approvals: FM, cULus.

OPTIONS

To order add suffix:	Description
-934	Process signal output, isolated 0 to 20 mADC
-936	Process signal output, isolated 0 to 10 VDC
-992	RS-RS-485 serial communications
-993	RS-RS-232 serial communications

DIGITAL TEMPERATURE SWITCH

3-1/2 Digit Display, Programming Configuration Key



The **SERIES 40T/40M** Digital Temperature Switch accepts a variety of inputs to allow temperature measurements and set points up to 1999°F (1300°C).

FEATURES/BENEFITS

- Field selectable °F or °C
- Universal temperature sensor or transmitter input on 40M models
- Configuration key to quickly load parameters from one unit to another
- Heating or cooling models

APPLICATIONS

- Food service equipment
- Industrial process control

SPECIFICATIONS

Probe Range: K T/C: -140 to 1999°F (-100 to 1300°C); J T/C: -140 to 1450°F (-100 to 800°C); RTD: -320 to 1200°F (-200 to 650°C); PTC: -58 to 300°F (-50 to 150°C); NTC: -40 to 230°F (-40 to 110°C); N. RTD: -110 to 570°F (-80 to 300°C).

Output: 16 A @ 250 VAC SPDT relay (max current allowed is 10 A).

Control Type: On/off.

Power Requirements: 12 to 24 VAC/VDC, 115 VAC or 230 VAC depending on model.

Accuracy: ±1% FS.

Display: 3-1/2 digit red display.

Resolution: 0.1°C.

Memory Backup: Non-volatile memory.

Ambient Temperature: 32 to 131°F (0 to 55°C).

Weight: 2.3 oz (65 g).

Front Panel Rating: IP65.

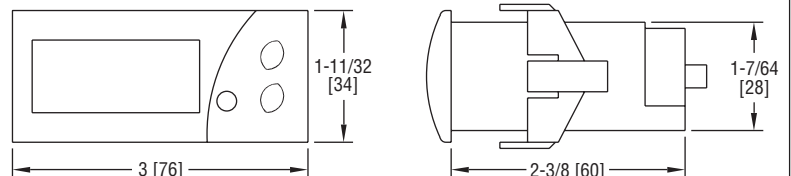
Agency Approvals: CE, cULus.

MODEL CHART			
Thermocouple/RTD Input Model	Supply Power	Universal Input Model	Supply Power
40T-10	115 VAC	40M-10	115 VAC
40T-20	230 VAC	40M-20	230 VAC
40T-40	12-24 VAC/VDC	40M-40	12-24 VAC/VDC

Digital Temperature Switch Probes and Accessories: See page 215 (Series TS-Probes)

THERMOCOUPLE TEMPERATURE SWITCH

Heating and Cooling Control, 16 Amp Rating, Two Alarms



Panel Cutout 2-51/64" x 1-9/64" (71 mm x 29 mm)

The **SERIES TCS** thermocouple Temperature Switch monitors and controls temperature while offering a wide temperature range, two selectable alarm sets, and an internal buzzer indicating alarm condition or error.

FEATURES/BENEFITS

- Heating or cooling modes
- Internal alarm buzzer
- Configuration key to quickly load parameters from one unit to another

APPLICATIONS

- Food service equipment
- Industrial process control

MODEL CHART					
Model	Supply Power	Unit	Model	Supply Power	Unit
TCS-4010	115 VAC	°F	TCS-4030	12 VAC/VDC	°F
TCS-4011	115 VAC	°C	TCS-4031	12 VAC/VDC	°C
TCS-4020	230 VAC	°F	TCS-4040	24 VAC/VDC	°F
TCS-4021	230 VAC	°C			

SPECIFICATIONS

Probe Range: 32 to 999°F (0 to 700°C) for Type J thermocouple; 32 to 999°F (0 to 999°C) for Type K or S thermocouples.

Input: Type J, K or S thermocouple.

Output: SPDT relay rated 16 A @ 240 VAC resistive.

Horsepower Rating (HP): 1 HP.

Control Type: ON/OFF.

Power Requirements: 115 VAC, 230 VAC, 12 VAC/VDC or 24 VAC/VDC (depending on model).

Accuracy: ±1% FS.

Display: 3-digit, red, 1/2" (12.7 mm) digits, plus sign.

Resolution: 1°.

Memory Backup: Nonvolatile memory.

Temperature Limits: Ambient: 32 to 158°F (0 to 70°C); Storage: -4 to 176°F (-20 to 80°C).

Weight: 2.3 oz (65 g).

Front Panel Rating: IP64.

Agency Approvals: CE, cURus.

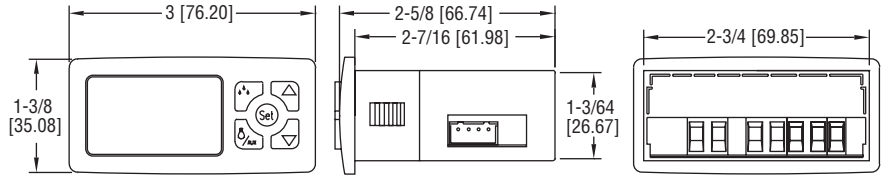
ACCESSORIES

See page reference 1 below.

Digital Temperature Switch Probes and Accessories: See page 215 (Series TS-Probes)

DIGITAL TEMPERATURE SWITCH

Field Selectable Engineering Units, Real Time Clock



The **SERIES TS3** Digital Temperature Switch is the ideal control for on/off heating or cooling applications.

FEATURES/BENEFITS

- Field selectable °F or °C
- Real time clock
- HACCP alarm logging
- Configuration key

APPLICATIONS

- Refrigerators
- Chillers
- Food service equipment
- Medical sterilizers or equipment

MODEL CHART

Model	Supply Power
TS3-50010	115 VAC
TS3-50020	230 VAC
TS3-50030	12 VAC/VDC
TS3-50040	24 VAC/VDC

SPECIFICATIONS

Probe Range: PTC: -58 to 302°F (-50 to 150°C); NTC: -58 to 230°F (-50 to 110°C).
Input: PTC (1000Ω @ 25°C); NTC (10KΩ @ 25°C).
Output: R1 SPDT relay resistive load 16 A, inductive load 10 FLA, 60 LRA @ 240 VAC.
Horsepower Rating: 1HP @ 240 VAC.
Control Type: On/off.
Power Requirement: 115 VAC, 230 VAC, 12 VAC/VDC, 24 VAC/DC (±10%) depending on model.

Power Consumption: 3.6 VA (115/230/24 V), 1.5 VA (12V).
Accuracy: ±1% FS.
Display: 3 digits plus sign.
Resolution: 0.1°.
Memory Backup: Non-volatile memory.
Ambient Temperature: 32 to 131°F (0 to 55°C).
Weight: 2.3 oz (65 g).
Front Panel Rating: IP65.
Agency Approvals: CE, cURus.

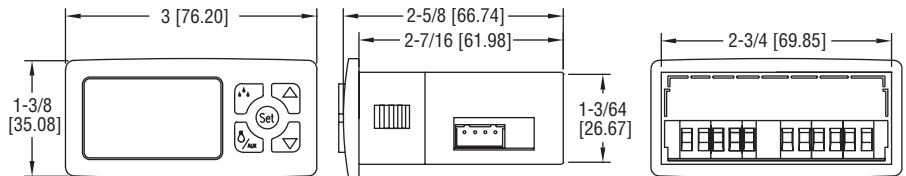
ACCESSORIES

See page reference [1](#) below.

◆Digital Temperature Switch Probes and Accessories: See page 215 (Series TS-Probes)

DIGITAL REFRIGERATION TEMPERATURE SWITCH

Intelligent Defrost, HACCP Alarm Logging



The **SERIES TSX3** Digital Temperature Switch was designed to control the compressor, fan, and defrost in refrigeration applications.

FEATURES/BENEFITS

- Field selectable °F or °C
- Real time clock
- HACCP alarm logging
- Configuration key
- 2 or 3 output models for complete refrigerator control
- 2 temperature sensor and 1 digital contact inputs

APPLICATIONS

- Refrigerators

MODEL CHART

Model	Supply Power	# of Outputs	Display Color
TSX3-520122	115 VAC	2	Blue
TSX3-520222	230 VAC	2	Blue
TSX3-520322	12 VAC/VDC	2	Blue
TSX3-520422	24 VAC/VDC	2	Blue
TSX3-520132	115 VAC	3	Blue
TSX3-520232	230 VAC	3	Blue
TSX3-520332	12 VAC/VDC	3	Blue
TSX3-520432	24 VAC/VDC	3	Blue

SPECIFICATIONS

Probe Range: PTC: -58 to 302°F (-50 to 150°C); NTC: -58 to 230°F (-50 to 110°C).
Input: PTC (1000Ω @ 25°C); NTC (10KΩ @ 25°C); Digital input contact.
Output: All models SPST NO relay resistive load 16 A, inductive load 5 A, 10 FLA, 60 LRA @ 240 VAC; dual output models also include 8 A resistive, 3 A inductive SPDT @ 240 VAC; three output models also include 8 A resistive SPST NO @ 240 VAC, 5 A resistive SPST NO @ 240 VAC.
Horsepower Rating: 1HP @ 240 VAC.
Control Type: On/off.

Power Requirement: 115 VAC, 230 VAC, 12 VAC/VDC, 24 VAC/DC (±10%) depending on model.
Power Consumption: 3.6 VA (115/230/24 V), 1.5 VA (12 V).
Accuracy: ±1% FS.
Display: 3 digits plus sign.
Resolution: 0.1°.
Memory Backup: Non-volatile memory.
Ambient Temperature: 32 to 131°F (0 to 55°C).
Weight: 2.3 oz (65 g).
Front Panel Rating: IP65 (NEMA 4X).
Agency Approvals: CE, cURus.

ACCESSORIES

See page reference [1](#) below.

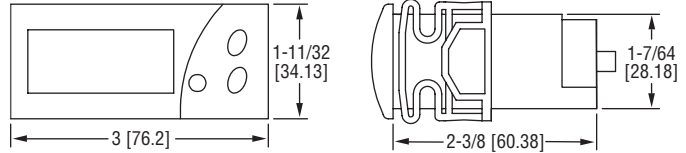
◆Digital Temperature Switch Probes and Accessories: See page 215 (Series TS-Probes)

DIGITAL TEMPERATURE SWITCH

Easy Multi-Unit Programming, 16A SPDT Relay Output



Scan here to watch product video



Panel Cutout 2-51/64" x 1-9/64" (71 mm x 29 mm)

The **SERIES TS2** Digital Temperature Switch offers an easy to use OEM friendly solution to monitor and control temperature in heating or cooling applications.

FEATURES/BENEFITS

- Simple to use temperature control device
- Configuration key

APPLICATIONS

- Refrigerators
- Chillers
- Food service equipment
- Medical sterilizers or equipment

MODEL CHART		
Model	Supply Power	Unit
TS2-010	115 VAC	°F
TS2-011	115 VAC	°C
TS2-020	230 VAC	°F
TS2-030	12 VAC/VDC	°F
TS2-040	24 VAC/VDC	°F
TS2-041	24 VAC/VDC	°C

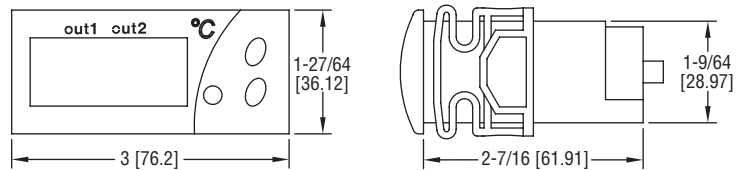
SPECIFICATIONS	
Probe Range: -58 to 302°F (-50 to 150°C).	
Input: PTC (1000Ω @ 25°C).	
Output: 16 A SPDT relay @ 250 VAC resistive, 5 A inductive.	
Horsepower Rating (HP): 1 HP.	
Control Type: On/off.	
Power Requirements: 115 VAC, 230 VAC, 12 VAC/VDC or 24 VAC/VDC.	
Accuracy: ±1% FS.	
Display: 3-digit, red, 1/2" digits.	
Resolution: 1°.	
Memory Backup: Nonvolatile memory.	
Temperature Limits: Ambient: 32 to 158°F (0 to 70°C).	
Storage Temperature: -4 to 176°F (-20 to 80°C).	
Weight: 2.3 oz (65 g).	
Front Panel Rating: IP64.	
Agency Approvals: CE, cURus.	

ACCESSORIES
See page reference 1 below.

1 Digital Temperature Switch Probes and Accessories: See page 215 (Series TS-Probes)

DUAL STAGE TEMPERATURE SWITCH

Two Independent Relay Outputs, Heating or Cooling Control



Panel Cutout 2-51/64" x 1-9/64" (71 mm x 29 mm)

The **SERIES TSS2** Dual Stage Temperature Switch features 2 independent sensor inputs and control outputs in 1 device.

FEATURES/BENEFITS

- Simple to use dual temperature control device
- Configuration key

APPLICATIONS

- Refrigerators
- Chillers
- Food service equipment
- Medical sterilizers or equipment

MODEL CHART		
Model	Supply Power	Unit
TSS2-2100	115 VAC	°F
TSS2-2110	115 VAC	°C
TSS2-2210	230 VAC	°C
TSS2-2300	12 VAC/DC	°F
TSS2-2400	24 VAC/DC	°F

SPECIFICATIONS	
Probe Range: PTC: -58 to 302°F (-50 to 150°C); NTC: -58 to 230°F (-50 to 110°C).	Accuracy: ±1% FS.
Input: PTC (1000Ω @ 25°C); NTC (10KΩ @ 25°C).	Display: 3-digit and sign, red LED.
Outputs: OUT1=SPDT relay rated 16 A @ 240 VAC resistive; OUT2=SPDT relay rated 8 A @ 240 VAC resistive.	Resolution: 0.1° (< 100°); 1° (≥ 100°).
Horsepower Rating (HP): 1 HP (OUT1).	Memory Backup: Nonvolatile memory.
Power Requirements: 115 VAC, 230 VAC, 12 VAC/VDC or 24 VAC/VDC (depending on model).	Temperature Limit: Ambient: 32 to 158°F (0 to 70°C).
	Storage Temperature: -4 to 176°F (-20 to 80°C).
	Dimensions: 3 x 1-27/64 x 2-7/16 in.
	Front Panel Rating: IP64.
	Weight: 2.3 oz (65 g).
	Agency Approvals: CE, cURus.

ACCESSORIES
See page reference 1 below.

1 Digital Temperature Switch Probes and Accessories: See page 215 (Series TS-Probes)

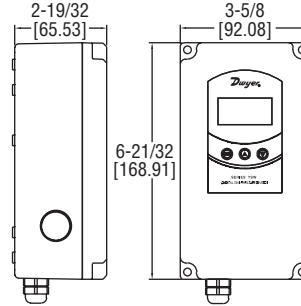


WEATHER PROOF DIGITAL TEMPERATURE SWITCH

NEMA 4X Housing, Single or Dual Stage, 20 A Contact Rating



Scan here to watch product video



The **SERIES TSW** Digital Temperature Switch combines the trusted, reliable TS family of temperature controls and an installation friendly weatherproof enclosure. The bright, easy-to-read LED display shows the current output status and the temperature measurement.

FEATURES/BENEFITS

- Weatherproof housing
- Single or dual stage models
- Configuration key
- Physical and passcode parameter setting protection
- TS-1 temperature probe included

APPLICATIONS

- Chillers
- Walk in cooler
- Woodboilers
- Brewing systems

MODEL CHART		
Model	Description	Supply Power
TSW-150	Single stage	90 to 255 VAC
TSW-160	Single stage	12 to 24 VAC/VDC
TSW-250	Dual stage	90 to 255 VAC
TSW-260	Dual stage	12 to 24 VAC/VDC

SPECIFICATIONS

Probe Range: PTC: -58 to 302°F (-50 to 150°C); NTC: -58 to 230°F (-50 to 110°C).
Input: PTC (1000Ω @ 25°C); NTC (10K Ω @ 25°C).
Output: R1 SPDT relay resistive load: 20 A @ 240 VAC; R2 SPDT relay resistive load: 8 A @ 240 VAC; Inductive load: 3 A @ 240 VAC.
Horsepower Rating: R1 2HP @ 240 VAC.
Control Type: On/off.

Power Requirements: 90 to 255 VAC or 12 to 24 VAC/VDC (±10%) depending on model.
Power Consumption: 3.6 VA.
Accuracy: ±1% FS.
Display: 3 digits plus sign.
Resolution: 0.1° < 100°; 1° ≥ 100°.
Memory Backup: Non-volatile memory.
Ambient Temperature: 32 to 104°F (0 to 40°C).
Weight: 1.2 lb (544 g).
Enclosure Rating: NEMA 4X (IP66).
Agency Approvals: CE, cURus.

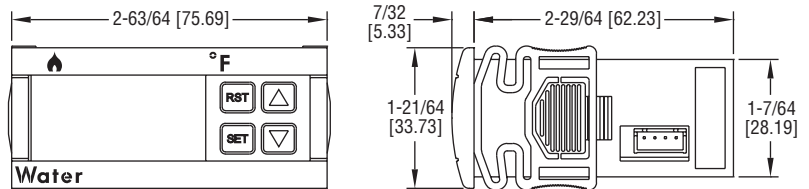
ACCESSORIES

Model	Description
CC1-N	Temperature sensor clip, neutral
CC1-B	Temperature sensor clip, beige
CC1-GY	Temperature sensor clip, grey



DIGITAL TEMPERATURE/WATER LEVEL SWITCH

Two Temperature Set Points, Low Water Level Alarm



The **SERIES TSWB** Digital Temperature Switch offers complete boiler control for outdoor wood boilers and other similar heating equipment.

FEATURES/BENEFITS

- 3 outputs for high temp, low temp or input alarm
- Conductivity probe input for water level monitoring
- Configuration key

APPLICATIONS

- Wood or pellet boilers

MODEL CHART		
Model	Supply Power	Unit
TSWB-010	115 VAC	°F
TSWB-011	115 VAC	°C

SPECIFICATIONS

Probe Range: PTC: -58 to 302°F (-50 to 150°C); NTC: -58 to 230°F (-50 to 110°C).
Probe Temperature Input: PTC (1000Ω @ 25°C); NTC (10KΩ @ 25°C).
Probe Level Input: Conductivity probe: Max voltage 12 VAC. Sensitivity established from factory at 100KΩ.
Output: R1 SPST NO relay resistive load 5 A @ 250 VAC; R2 SPST NC relay resistive load 5 A @ 250 VAC; R3 SPDT relay resistive load 16 A @ 240 VAC.
Horsepower Rating: 1HP -- 10FLA, 60LRA 250 VAC.
Control Type: On/off.

Power Requirements: 115 VAC ± 10%, 230 VAC ± 10%, 24 VAC/DC ± 10%, 12 VAC/DC ± 10%.
Power Consumption: 4VA (230V/115V), 1.5VA (24V/12V).
Accuracy: > 1% of full-scale.
Display: 3-digit, red 1/2" digits.
Resolution: 1° (3 digits).
Memory Backup: Nonvolatile memory.
Ambient Operating Temperature: 32 to 158°F (-30 to 70°C).
Storage Temperature: -4 to 176°F (-30 to 80°C).
Weight: 3.5 oz.
Front Protection: IP64.
Agency Approvals: CE, cULus.

ACCESSORIES

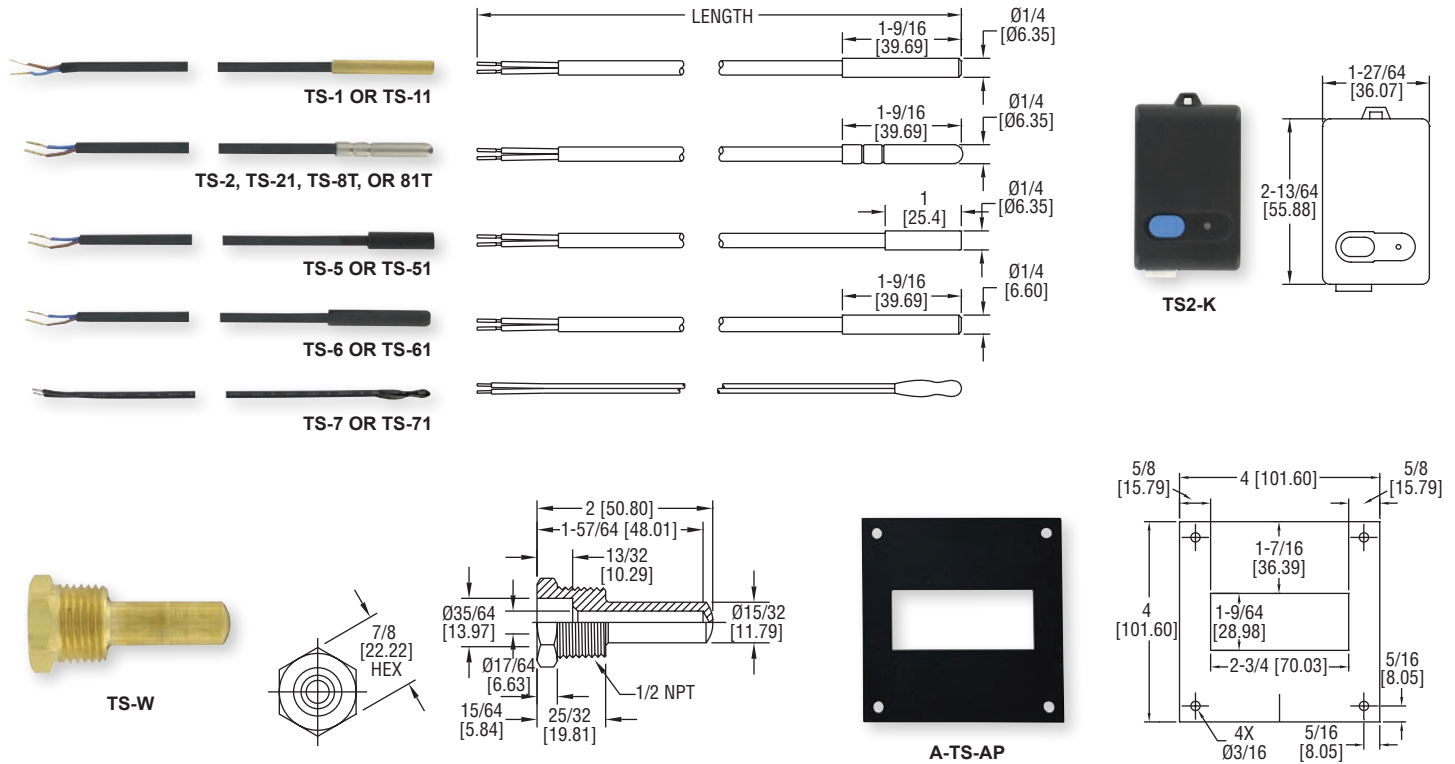
See page reference 1 below.

1 Digital Temperature Switch Probes and Accessories: See page 215 (Series TS-Probes)



DIGITAL TEMPERATURE SWITCH PROBES & ACCESSORIES

Probes to Be Used with TS2, TSS2, TSWB, TSW, TS3, TSX3, and 40M



Scan here to watch product video

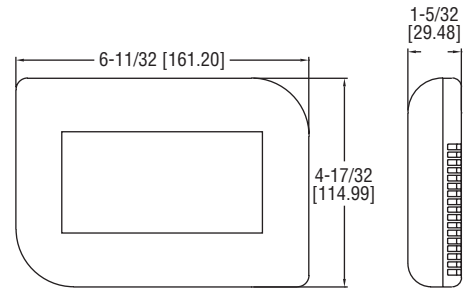
MODEL CHART - SENSORS			
Model	Sensor	Cap Material	Length ft (m)
TS-1	PTC	Brass	5 (1.5)
TS-11	PTC	Brass	10 (3)
TS-2	PTC	Stainless steel	5 (1.5)
TS-21	PTC	Stainless steel	10 (3)
TS-5	PTC	PVC	5 (1.5)
TS-51	PTC	PVC	10 (3)
TS-6	PTC	Polyamide resin coated brass	5 (1.5)
TS-61	PTC	Polyamide resin coated brass	10 (3)
TS-7	NTC	None	5 (1.5)
TS-71	NTC	None	10 (3)
TS-8T	NTC	Stainless steel	5 (1.5)
TS-81T	NTC	Stainless steel	10 (3)
TCS-J	J-type	Stainless steel	4 (1.21)
TCS-K	K-type	Stainless steel	4 (1.21)

SPECIFICATIONS	
Sensor:	See model chart.
Operating Temperature:	PTC or NTC: -58 to 221°F (-50 to 105°C); J-type: 32 to 1400°F (0 to 760°C); K-type: 32 to 2300°F (0 to 1200°C).
Cable:	PTC and NTC models: PVC; J-type and K-type models: FEP.

ACCESSORIES	
Model	Description
A-TS-AP	1/4 DIN adapter plate
TS-W	Brass thermowell (for use with TS-1, TS-11, TS-2, TS-21)
TS2-K	Configuration key

DIGITAL TOUCH SCREEN PROGRAMMABLE THERMOSTAT WITH HEAT PUMP CONTROL

5 Control Modes, Large LCD Display



The **MODEL TLVT1** Digital Touch Screen Programmable Thermostat with Heat Pump simplifies controlling indoor temperatures in commercial and residential buildings. A large easy to read LCD display shows the current temperature, set point, as well as time and day of the week.

FEATURES/BENEFITS

- Weekday and weekend programs; 4 events per day
- Large touch LCD display
- Two-stage heating and cooling control
- Security code setting protection
- Filter and energy use timers

APPLICATIONS

- Commercial or residential indoor temperature control

MODEL CHART	
Model	Description
TLVT1	LCD touch screen programmable thermostat

SPECIFICATIONS

Range: Measurement: 32 to 99°F (0 to 40°C); Adjustment: 41 to 95°F (5 to 35°C).
Accuracy: ±1°F (0.5°C).
Sensor Type: NTC thermistor.
Resolution: 1°F (0.5°C).
Power Requirements: 24 VAC 50/60 Hz or (2) AA alkaline batteries, not included.
Output: 1 A @ 24 VAC 50/60 Hz.
Temperature Limits: Operating: 32 to 122°F (0 to 50°C); Storage: 23 to 122°F (-5 to 50°C).
Weight: 10 oz (283.5 g).
Agency Approvals: RoHS.

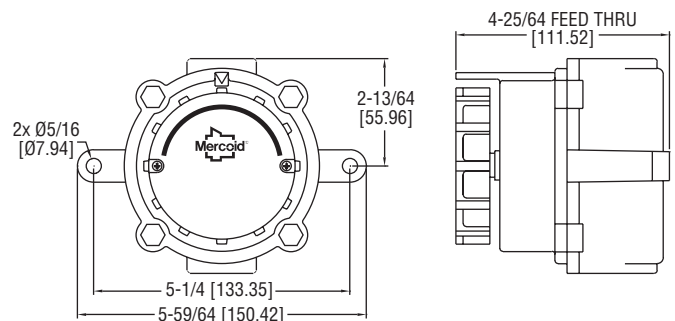
ACCESSORIES

Model	Description
TG-1	Large thermostat cover
TG-2	Small thermostat cover



EXPLOSION-PROOF, HEAVY-DUTY THERMOSTAT

Line or Low Voltage, Heating or Cooling



Explosion-proof, heavy duty, the **MODEL 862E** Thermostat is designed for hazardous-location temperature control of heating, cooling, or ventilation systems and features an adjustable set point knob for easy and convenient setpoint adjustment.

FEATURES/BENEFITS

- Explosion-proof construction
- Lightweight and durable

APPLICATIONS

- Oil rigs or refineries
- Petrochemical plants
- Grain processing and storage facilities
- HVAC control

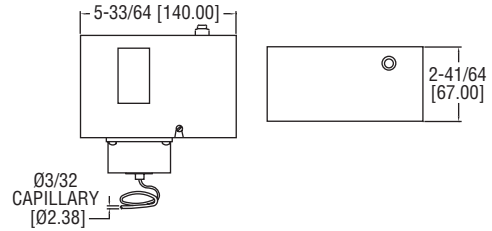
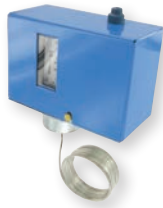
MODEL CHART	
Model	Description
862E	Explosion-proof, heavy-duty thermostat

SPECIFICATIONS

Service: Compatible gases.
Temperature Limit: -49 to 176°F (-45 to 80°C).
Enclosure Rating: Explosion-proof NEMA 7 & 9, Class I, Divisions 1 & 2, Groups C & D; Class II, Division 1, Groups E, F & G; Class II, Division 2, Groups F & G; Class III; Class I, Zones 1 & 2, Groups IIA & IIB.
Switch Type: SPDT snap action switch.
Electrical Rating: 22 A @ 480 VAC (res.), 1/2 HP @ 125 VAC, 1 HP @ 250 VAC.
Electrical Connection: Screw terminal.
Conduit Connection: 3/4" female NPT.
Set Point Adjustment: External knob.
Adjustable Range: 36 to 82°F (2 to 28°C).
Deadband: 2.5°F (1.5°C).
Weight: 2.1 lb (0.95 kg).
Agency Approvals: CSA, UL.

LOW LIMIT FREEZE PROTECTION SWITCH

Manual and Auto Reset, DPDT Output



The **SERIES DFS** Low Limit Freeze Protection Switch protects cooling coils in air handler systems by sensing frost build up on the coils.

FEATURES/BENEFITS

- DPDT switch feedback
- Setpoint as low as 34°F (1°C)
- Mounting clips included

APPLICATIONS

- Cooling coil frost monitoring
- HVAC systems

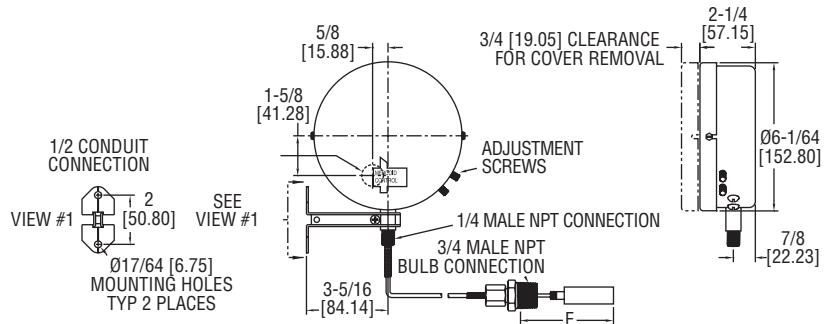
MODEL CHART		
Model	Reset Action	Capillary Length
DFS-DM20	Manual	20' (609 cm)
DFS-DA20	Automatic	20' (609 cm)
DFS-DM10	Manual	10' (305 cm)
DFS-DA10	Automatic	10' (305 cm)

SPECIFICATIONS

Wetted Material: Vapor-filled copper capillary, tin-plated, 10' or 20'.
Housing Material: Plated steel case, painted steel cover, plastic set point window.
Temperature Limit: Operating: -60 to 160°F (-51 to 71°C); Sensing element: 300°F (149°C) max.
Switch Type: DPDT snap acting.
Electrical Ratings: Inductive: 14 FLA, 84 LRA, 3/4 hp @ 120 VAC; 12 FLA, 72 LRA, 2 hp @ 240 VAC; Pilot Duty: 720 VA max. @ 120 to 600 VAC; 144 VA max. @ 24 VAC.
Reset Action: Manual or automatic.
Adjustable Range: 34 to 70°F (1 to 21°C).
Deadband: 4.5°F (2.5°C), fixed.
Agency Approvals: cULus.

TEMPERATURE SWITCHES

Bulb and Capillary, Inert Gas Fill



The **SERIES DA-7035N** Temperature Switches include the same time-proven switching mechanism used in our Series DA pressure switches. Bourdon tube assures high sensitivity and long life.

FEATURES/BENEFITS

- Adjustable deadband
- No cross ambient temperature effects
- Visible dial calibrated in both °F and °C
- Visible on/off indication

APPLICATIONS

- Mechanical process temperature monitoring

MODEL CHART				
Model	Range °F (°C)	Max. Temp. °F (°C)	Min. Deadband °F (°C)	Min. Insertion Depth "E" in. (mm)
DA-7035-153-1N	-60 to +30 (-50 to 0)	150 (65)	23 (13)	2-7/8 (73)
DA-7035-153-3N	0 to 100 (-18 to 40)	240 (115)	25 (14)	2-7/8 (73)
DA-7035-153-4N	50 to 150 (10 to 65)	250 (120)	25 (14)	2-7/8 (73)
DA-7035-153-5N	100 to 200 (40 to 95)	300 (150)	25 (14)	2-7/8 (73)
DA-7035-153-7N	140 to 300 (60 to 150)	500 (260)	41 (23)	2-7/8 (73)
DA-7035-153-8N	250 to 415 (120 to 215)	550 (290)	42 (23)	2-7/8 (73)
DA-7035-153-9N	350 to 550 (175 to 290)	600 (315)	50 (28)	4-7/8 (124)
DA-7035-153-10N	100 to 300 (40 to 150)	500 (260)	50 (28)	2-7/8 (73)
DA-7035-153-11N	100 to 500 (40 to 260)	600 (315)	100 (56)	2-7/8 (73)

Note: Insertion depth can be increased through use of bulb supports or wells. Consult factory.

SPECIFICATIONS

Service: Compatible liquids or gases.
Wetted Materials: Bulb and connection: 304 SS.
Temperature Limit: Process: See model chart; Ambient: 180°F (82°C).
Pressure Limit: 300 psi (20.6 bar).
Enclosure Rating: General purpose. Optional weatherproof and explosion-proof.
Repeatability: ±1% FS.
Switch Type: SPDT snap switch. Optional DPDT snap and a variety of mercury switches.
Electrical Rating: 10 A @ 120/240/480 VAC.
Electrical Connections: Screw terminal.
Conduit Connection: 7/8" (22.23 mm) hole for 1/2" (12.7 mm) conduit hub.
Process Connection: 3/4" male NPT. Other sizes available.
Set Point Adjustment: External knobs for set point and reset point.
Weight: 5 lb (2.3 kg).
Deadband: Adjustable from minimum in model chart to full range. Optional low fixed deadband.
Capillary: 6' (1.8 m) standard. Ranges 1N to 7N, and 10N: copper. Ranges 8N, 9N, 11N: 304 SS.
Set Point Scale: Indication in °F and °C.
Options: See web page for additional option models such as: switch type enclosures, fixed deadband, longer or shorter capillary, armored capillary, wells, two stage, 1/2" or 1" connection sizes, manual reset.

TEMPERATURE TRANSMITTER

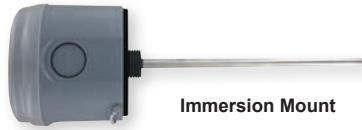
Current or Voltage Output, NEMA 4X Enclosures



Duct Mount



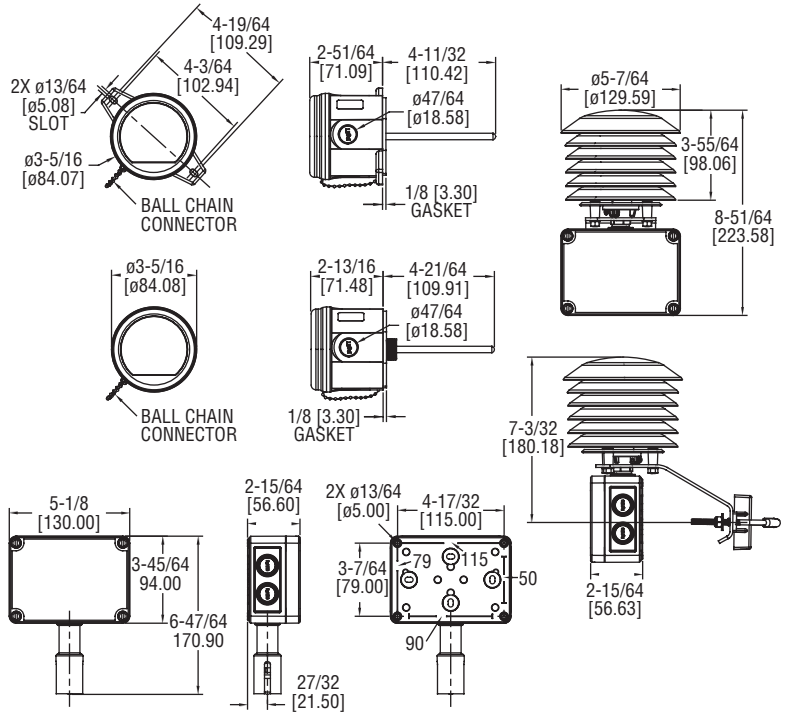
Outside Air with Radiation Shield



Immersion Mount



Outside Air without Radiation Shield



The **SERIES BTT** Temperature Transmitter offers transmitter output signals with the same form and fit as our popular TE thermistor and RTD sensors for building HVAC applications.

FEATURES/BENEFITS

- Duct, immersion, and outside air models available
- Radiation shield available for mounting in direct sunlight
- Transmitter output allows for longer wire runs than standard thermistor sensors

APPLICATIONS

- Building automation system temperature monitoring

MODEL CHART					
Example	BTT	-D	04	-1	BTT-D04-1
Series	BTT				Temperature transmitter
Mounting Configuration		D I O R			Duct mount Immersion mount Outside air Outside air with radiation shield
Probe Length			25 04 06 08 12 18		2.5" (required for "O" and "R" models) 4" 6" 8" 12" 18"
Output				1 2	4 to 20 mA 0 to 10 V
Options				Blank FC NIST	None Factory calibration certificate NIST calibration certificate

SPECIFICATIONS

Temperature Sensor: Pt1000 RTD.
Range: -40 to 140°F (-40 to 60°C).
Temperature Limits: -40 to 140°F (-40 to 60°C).
Accuracy: Voltage: 0 to 60°C: $\pm 0.5^\circ\text{C}$; -40 to 0°C: $\pm 1.0^\circ\text{C}$; Current: -20 to 50°C: $\pm 0.5^\circ\text{C}$; -40 to -20°C and 50 to 60°C: $\pm 0.75^\circ\text{C}$.
Response Time: 100 ms.
Wetted Materials: All models: 304 SS (probe), polycarbonate (housing); Duct and immersion models: Neoprene (gasket); Outside air models: Nylon (insert), silicone (O-ring).
Process Connection: 1/2" NPT (immersion models only).
Electrical Connection: Removable terminal block, knocks out for conduit fitting.
Conduit Connection: 1/2" NPT.
Probe Lengths: 2.5 to 18" (depending on configuration).
Power Requirements: 13 to 36 VDC.
Output Signal: 4 to 20 mA or 0 to 10 VDC (depending on model).
Enclosure Rating: NEMA 4X (IP66) (immersions models require thermowell).
Weight: 5.11 oz (145 g) (duct/immersion); 8.4 oz (238 g) (OSA without radiation shield); 1 lb 7.4 oz (663.4 g) (OSA with radiation shield).
Agency Approvals: CE.

THERMOWELLS - WELDED		
Model	Material	Insertion Length
TE-TNS-N253N-00	304 SS	2.5"
TE-TNS-N043N-00	304 SS	4"
TE-TNS-N063N-00	304 SS	6"
TE-TNS-N083N-00	304 SS	8"
TE-TNS-N123N-00	304 SS	12"
TE-TNS-N183N-00	304 SS	18"

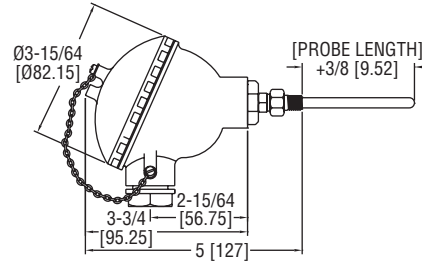
Temperature Transmitters

WEATHERPROOF IMMERSION TEMPERATURE TRANSMITTER

Pt100 RTD, PC Programmable Transmitter



Scan here to watch product video



The **SERIES TTW** Immersion Temperature Transmitter offers a field adjustable temperature transmitter pre-assembled with an RTD sensor and weatherproof enclosure.

FEATURES/BENEFITS

- Preset to 32 to 212°F (0 to 100°C) output range
- USB port for easy output scale adjustment in the field

APPLICATIONS

- Immersion temperature sensing in HVAC systems

MODEL CHART	
Model	Probe Length
TTW-104	4"
TTW-106	6"
TTW-108	8"
TTW-112	12"
TTW-118	18"

SPECIFICATIONS

TEMPERATURE SENSOR

Accuracy: $\pm 3^\circ\text{F}$ ($\pm 1.7^\circ\text{C}$).

Temperature Limits: Operating: -40 to 302°F (-40 to 150°C).

Sensor Curves: Pt100 RTD (TE Series Curve D).

Power Requirements: 12 to 35 VDC.

Accuracy: $\pm 0.2\%$ FS.

Temperature Limits: -40 to 185°F (-40 to 85°C).

Response Time: <100 ms.

ENCLOSURE

Temperature Limits: -40 to 212°F (-40 to 100°C).

Rating: NEMA 4X (IP65).

Material: Painted aluminum housing.

TEMPERATURE TRANSMITTER

Input Range: -328 to 986°F (-200 to 530°C).

Output: Two-wire 4 to 20 mA.

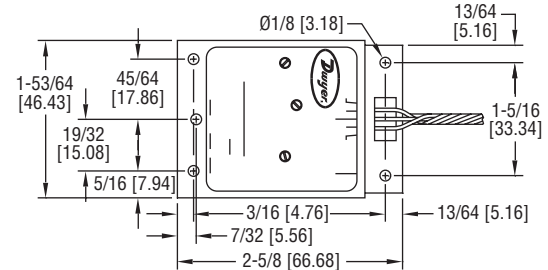
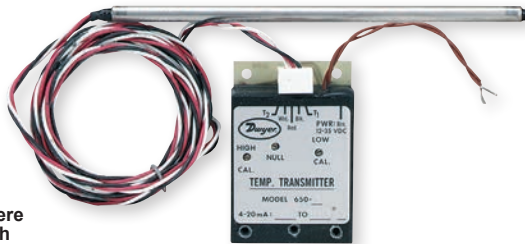
Output Impedance: 600 Ω @ 24 VDC.

TEMPERATURE TRANSMITTER

4 to 20 mA Signal, Two Wire Operation, Temperatures from -55 to 180°C



Scan here to watch product video



The **SERIES 650** Temperature Transmitter is ideal for a wide variety of HVAC, industrial and commercial multi-point temperature monitoring applications. Three models are stocked in popular ranges factory calibrated within 0.3% of span.

FEATURES/BENEFITS

- Field adjustable span
- Low profile transmitter housing
- Non-polarized wiring

APPLICATIONS

- HVAC system monitoring

MODEL CHART					
Model	Range As Stocked	Low Range Limits		Span Limits	
		Min.	Max.	Min.	Max.
650-1	-23° to +10°C	-32°C	-14°C	24°C	48°C
650-2	-7° to +49°C	-12°C	+6°C	37°C	150°C
650-3	0° to +100°C	-12°C	+6°C	37°C	150°C

Consult factory for special ranges calibrated within the limits of -55°C and +180°C.

SPECIFICATIONS

Input: Silicone-junction transistor.

Output Signal: 4 to 20 mA DC.

Power Requirements: 12 to 35 volts DC.

Accuracy: $\pm 0.3\%$ FS @ 20°C (68°F).

Linearity: Within 0.25% of span.

Thermal Drift: Less than 0.5% of span over ambient temperature range of 0 to 50°C (32 to 122°F).

Probe Construction: 6" long, 0.25" OD Type 304 SS.

Temperature Limits: Ambient: 0 to 70°C (32 to 158°F).

Temperature Limits: (Probe): 204°C (400°F).

Probe Cable Length: 7 ft (2.1 m).

Voltage Stability: Output error less than 0.01% of span over the specified supply voltage range.

ACCESSORY

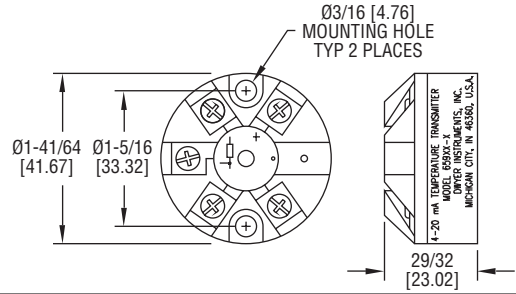
Model	Description
A-325	Duct mounting kit with flange, fitting and hardware

OPTION

Use order code:	Description
NISTCAL-TT1	NIST traceable calibration certificate

PUSH-BUTTON TEMPERATURE TRANSMITTER

Programmable, RTD, Thermistor or Thermocouple Input, In-Head Mounting



The **SERIES 659** Push-Button Temperature Transmitters accept thermocouple (J, K, T), RTD (Pt100Ω) or thermistor input and provide a linearized 4 to 20 mA output. The transmitter is quickly ranged and calibrated by using a single on-board switch.

FEATURES/BENEFITS

- Push button calibration adjustment
- Reverse polarity protection
- Standard temperature sensor head enclosure mounting
- Sensor fault LED

APPLICATIONS

- Process applications where a 4 to 20 mA signal is required

MODEL CHART	
Model	Input
659TC-1	Thermocouple (Type J, K, T)
659RTD-1	3-wire (RTD Pt100)
659TH-1	Thermistor (2252Ω)

SPECIFICATIONS

Input Range: Type J T/C: -328 to 2192°F (-200 to 1200°C); Type K T/C: -328 to 2498°F (-200 to 1370°C); Type T T/C: -328 to 752°F (-200 to 400°C); Pt100 Ω RTD: -328 to 1562°F (-200 to 850°C); Thermistor: -13 to 257°F.

Accuracy: T/C models: ±0.04% FS., ±0.04% of reading or ±0.5°C whichever is greater; RTD: ±0.2°C ±0.1% of rdg; Thermistor: ±0.25°F (±0.1°C).

Output: Linearized 4 to 20 mA, 2-wire loop powered.

Sample Rate: 500 ms.

Loop Resistance: T/C: 700 Ω @ 24 VDC; RTD: 800 Ω @ 24 VDC; Thermistor: 24 VDC.

Output Thermal Drift: Zero: 0.2µA/°C; Span: 0.5µA/°C.

Temperature Limits: Ambient: -4 to 158°F (-20 to 70°C), 80% RH max.

Ambient Storage Temperature: -40 to 158°F (-40 to 70°C), 95% RH max.

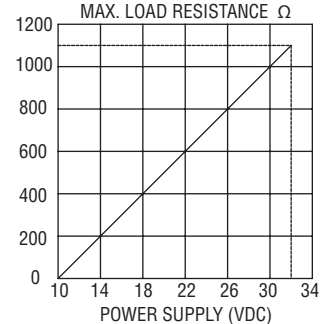
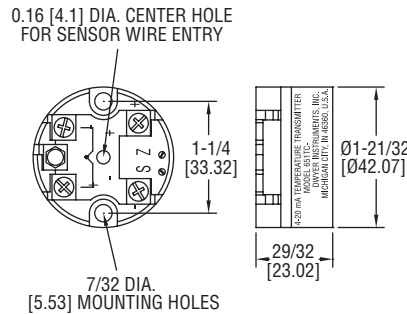
Burnout: Upscale 22 mA.

Weight: 0.92 oz (26 g).

Agency Approvals: CE.

TEMPERATURE TRANSMITTER

RTD or Thermocouple Input, Zero and Span Adjust, Linearized 4 to 20 mA Signal



The **SERIES 651** Temperature Transmitters are designed for use with 2 or 3 wire Pt100 RTDs or ungrounded Type K thermocouples. Thermocouple models 651TC are cold junction compensated, automatic 32 to 160°F (0 to 70°C) with upscale burnout.

FEATURES/BENEFITS

- Various preset ranges available
- Pt100 or K type thermocouple models
- Standard temperature sensor head enclosure mounting

APPLICATIONS

- Process applications where a 4 to 20 mA signal is required

MODEL CHART					
Model	Input Type	Range, °F (°C)	Model	Input Type	Range, °F (°C)
651A-10	Pt100 RTD	32 to 212 (0 to 100)	651TC-01	Type K thermocouple	32 to 212 (0 to 100)
651A-20	Pt100 RTD	32 to 392 (0 to 200)	651TC-02	Type K thermocouple	32 to 392 (0 to 200)
651A-40	Pt100 RTD	32 to 752 (0 to 400)	651TC-04	Type K thermocouple	32 to 752 (0 to 400)
			651TC-06	Type K thermocouple	32 to 1112 (0 to 600)

SPECIFICATIONS

Input: 2 or 3-wire Pt100 RTD (models 651A), or ungrounded Type K thermocouple (models 651TC).

Output: 4 to 20 mA DC, linearized.

Transmitter Type: 2-wire.

Output Impedance: 700 Ω @ 24 VDC.

Power Requirements: 10 to 32 VDC, reverse connection protected.

Accuracy: ±0.2°C plus 0.2% reading (models 651A), ±0.1% FS plus cold junction errors (models 651TC).

Temperature Drift: ZERO drift typical 0.02%/°C (0.09°F); SPAN typical 0.005%/°C (0.0036°F).

Temperature Limits: Ambient: 32 to 122°F (0 to 50°C).

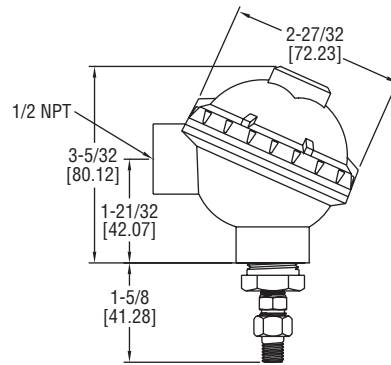
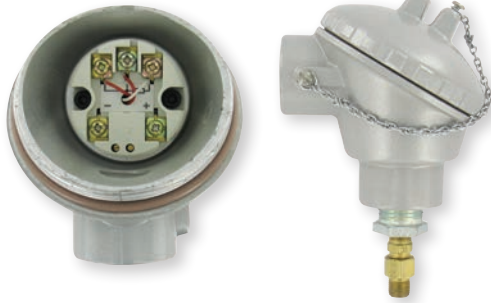
Maximum Storage Temperature: 160°F (70°C).

Response Time: 10 to 90% in 200 ms (models 651A), 70% in 2 ms (models 651TC).

Agency Approvals: CE.

TEMPERATURE TRANSMITTER ENCLOSURE

Fits Series 651 and 659 Transmitters



The **MODEL A-709** Temperature Enclosure can be used to mount our Series 651 and 659 transmitters to any of our 1/4" diameter temperature sensors. The screw on enclosure core can be quickly removed and has a chain to prevent it from getting lost. The Model A-709 comes with the necessary adapters and fittings for attaching the temperature sensor.

SPECIFICATIONS

Service: Indoor or outdoor.
Temperature Limits: -40 to 212°F (-40 to 100°C).
Rating: NEMA 4X.
Materials: Aluminum housing.

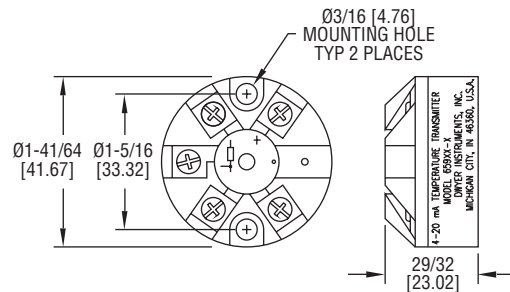
MODEL CHART

Model	Description
A-709	Temperature transmitter enclosure



HIGH ACCURACY PROGRAMMABLE TRANSMITTER

RTD, Thermocouple, Voltage or Potentiometer Input, Galvanically Isolated



The **MODEL 652-0** Programmable Transmitter accepts any commonly used temperature sensor, slidewire transducer or millivolt signal and produces a 4 to 20 mA output signal. The model 652-0 features 500V input to output isolation to remove ground loop effects and four filter settings to remove incoming signal noise. Outstanding versatility and compact size make this unit ideal for any temperature application.

FEATURES/BENEFITS

- High accuracy, universal input
- Configuration kit option
- Digital signal filtering for stable readings

APPLICATIONS

- Process applications where a 4 to 20 mA signal is required

MODEL CHART

Model	Description
652-0	Programmable transmitter

ACCESSORY

Model	Description
652-C	Configuration kit

SPECIFICATIONS

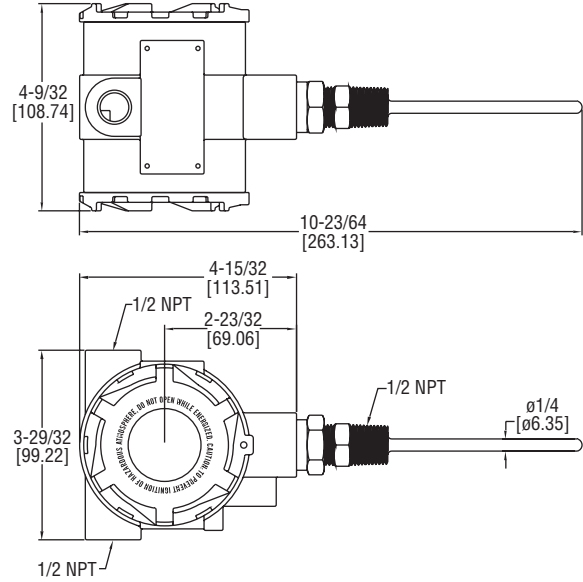
Input/Output Isolation: 500 VAC RMS.
Thermocouple Input Range: J: -328 to 2192°F (-200 to 1200°C); K: -328 to 2498°F (-200 to 1370°C); T: -328 to 752°F (-200 to 400°C); R and S: -14 to 3200°F (-10 to 1760°C); E: -328 to 1832°F (-200 to 1000°C); F: -148 to 1112°F (-100 to 600°C); N: -292 to 2372°F (-180 to 1300°C).
RTD Input Range: (Pt100 Ω): -328 to 1562°F (-200 to 850°C).
Output: Linearized 4 to 20 mA.
Output Impedance: 700 Ω @ 24 VDC.
Power Requirements: 10 to 35 V.
Accuracy: T/C: ±0.04% full range input, ±0.04% rdg.; RTD: ±0.01 full range input, ±0.05% of rdg.; Voltage: 10µV, ±0.07% rdg.; Potentiometer: 0.1% full range input.
Thermal Drift: Zero: 0.1µV/°C (RTD zero drift is 0.008°F/°F); Span: 100ppm/°C.
Temperature Limit: Ambient: -40 to 185°F (-40 to 85°C).
Response Time: < 1 second.
Update Time: 250 ms max.
Filtering: Off, 2 seconds, 10 seconds, or adaptive.
Cold Junction Error: ±29°F (±0.5°C).
Weight: 0.92 oz (26 g)..
Agency Approvals: CE.

EXPLOSION-PROOF RTD TEMPERATURE TRANSMITTER

User Selectable Ranges, Optional LCD Display



*Shown with optional LCD display



Scan here to watch product video

The **SERIES TTE** Explosion-Proof RTD Temperature Transmitter is the ideal product for hazardous temperature measurement applications. The TTE series has seven pre-programmed temperature ranges that are selectable via an internal dip switch.

FEATURES/BENEFITS

- FM approved for Class I, Groups B, C, D; Class II, Groups E, F, G classified explosive environments
- Optional LCD
- Output span selected from seven common ranges or user determined

APPLICATIONS

- Explosive process environments
- Offshore HVAC monitoring

SPECIFICATIONS

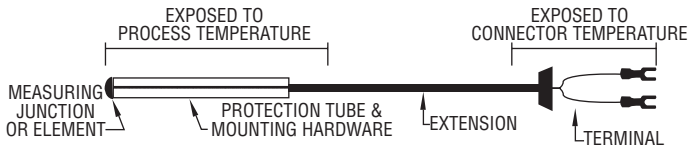
Temperature Sensor: Pt1000, 0.00385 DIN.
Output Temperature Ranges: User selectable – any range between -30 to 250°F with a minimum span of 40°F.
Temperature Limits: Ambient: 0 to 158°F (-18 to 70°C); Process: -30 to 250°F (-34.4 to 121.1°C).
Accuracy: Transmitter ±0.1% FS; Probe ±0.3% FS.
Thermal Drift Effects: ±0.02%/°C max.
Response Time: 250 ms.
Wetted Materials: 316 SS.
Process Connection: 1/2" male NPT.
Conduit Connection: 1/2" female NPT.
Probe Length: 2" to 18" (depending on model).
Pressure Limits: 2000 psi (137.9 bar).
Power Requirements: 10 to 35 VDC.
Output Signal: 4 to 20 mA (two wire loop powered).
Optional Display: 2 lines X 8 character LCD.
Enclosure Rating: NEMA 4X (IP66) and explosion-proof for Class I, Groups B, C, D; Class II, Groups E, F, G; Class III.
Weight: 2 lb 8 oz (1134 g).
Agency Approvals: CE, FM.

MODEL CHART		
Model	Stem Length	LCD Display
TTE-104-W	4"	No
TTE-106-W	6"	No
TTE-109-W	9"	No
TTE-112-W	12"	No
TTE-115-W	15"	No
TTE-118-W	18"	No
TTE-104-W-LCD	4"	Yes
TTE-106-W-LCD	6"	Yes
TTE-109-W-LCD	9"	Yes
TTE-112-W-LCD	12"	Yes
TTE-115-W-LCD	15"	Yes
TTE-118-W-LCD	18"	Yes

FIELD-SELECTABLE RANGES
40 to 90°F (4.4 to 32.2°C)
-20 to 140°F (-28.9 to 60°C)
0 to 100°F (-17.8 to 37.8°C)
30 to 240°F (-1.1 to 115.6°C)
32 to 212°F (0 to 100°C)
32 to 122°F (0 to 50°C)
-30 to 65°C (-1.1 to 18.3°C)
Custom range between -30 to 250°F (-34.4 to 121.1°C)

ACCESSORY	
Model	Description
A-287	Mounting bracket for pipe or surface mounting (Includes bracket and two 2" U-bolts)

TEMPERATURE SENSORS



Thermocouple Types	Wire Types	Temperature Range (°F)	Temperature Range (°C)
J	Iron/constantan	32 to 1400	0 to 760
K	Chromel/alumel	32 to 2300	0 to 1200
E	Chromel/constantan	-300 to 1600	-184 to 871
T	Copper/constantan	-300 to 700	-184 to 371
R	Plat. 13%/rhod./plat.	32 to 2700	0 to 1482
S	Plat. 10%/rhod./plat.	32 to 2700	0 to 1482
RTD Types		Temperature Range (°F)	Temperature Range (°C)
Low range thin film		-58 to 392	-50 to 200
Medium range thin film		-58 to 896	-50 to 480
High range wire wound		-328 to 1112	-200 to 600

ORDERING SENSORS

Sensors are constructed with various types of protection/mounting hardware, extensions, and wire terminations. The sensor types and their temperature ranges are shown in the table. See "Temperature Limits" for maximum service temperatures applicable to the protection tube, mounting hardware, wire extensions, etc.

This section shows only a limited selection of the available sensors. The sensors are organized by hardware type. Most hardware can house any type thermocouple or RTD. Terminations are usually either lug type or standard plugs, but many other types are available. Various 'head enclosures' are also available. Dimensions can be custom designed to meet your specifications.

SERVICE TEMPERATURES

304/316 SS tubing/protection/mounting hardware	1600°F
Inconel® 600 tubing/protection/mounting hardware	2100°F
Alumina	3400°F
Mullite	2700°F
Fiberglass insulated extension wire	842°F
FEP insulated extension wire	392°F
Junction box (BX) connector	400°F
Plug	400°F

TEMPERATURE LIMITS

Sensor selection depends on two separate temperatures: process temperature and connector temperature. Make sure the local temperature at each component does not exceed the maximum rated service temperature for that component. Note that extension wire must withstand the process temperature.



Scan here to watch product video

HARDWARE TYPE



Plain Sheath



Bayonet Mount, Adjustable (w/ SS Overbraided Extension)

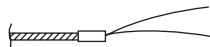


Bayonet Mount, Adjustable (w/ SS Flex Hose)

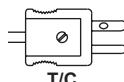


Bayonet Mount, Fixed

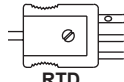
TERMINALS



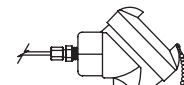
Stripped-Ends – Type 0



Mini Plug – Type 6



RTD



Screw Cover Head – Type E, F, G



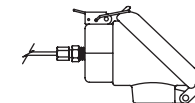
Lugs – Type 1



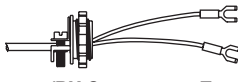
Mini Jack – Type 7



RTD



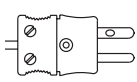
Snap Cover Head – Type H



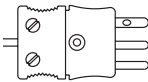
Lugs w/BX Connector – Type 2



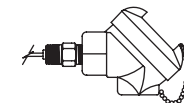
Fast Tabs – Type 8



Standard Plug – Type 3



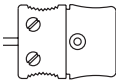
RTD



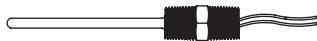
Screw Cover Head – Type I, J, K, M, N, P



Standard Jack – Type 4



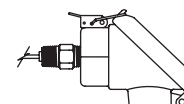
RTD



Hex Nipple – Type A, B



Hex Bushing – Type C, D



Snap Cover Head – Type L, Q

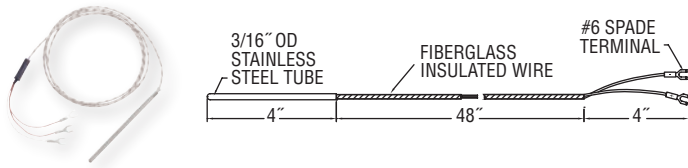
Inconel® is a registered trademark of Huntington Alloys Corporation

THERMOCOUPLES & RTD'S

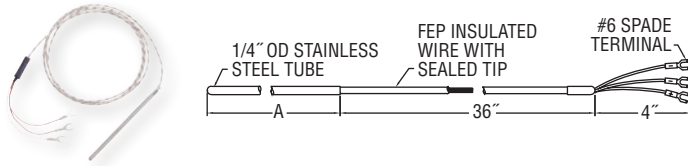
Scan here to watch product video



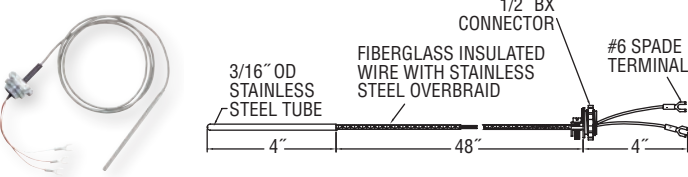
GENERAL PURPOSE



MODEL CHART - BASIC		
Model	Sensor Type	Terminal
122095-84	J	#6 spade
122095-01	K	#6 spade
122095-04	(3-wire) 100 Ω RTD	#6 spade

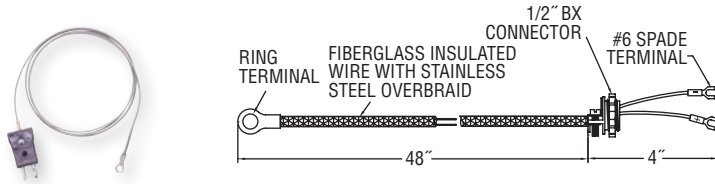


MODEL CHART - FEP INSULATION EXTENSION			
Model	Sensor Type	A Length	Terminal
122087-00	100 Ω RTD	6"	#6 spade

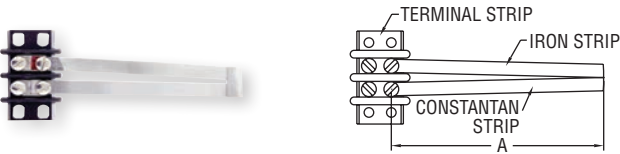


MODEL CHART - SS OVERBRAID EXTENSION			
Model	Sensor Type	Bend	Terminal
122095-19	J	0°	#6 spade
122095-25	100 Ω RTD	0°	#6 spade

SPECIAL PURPOSE

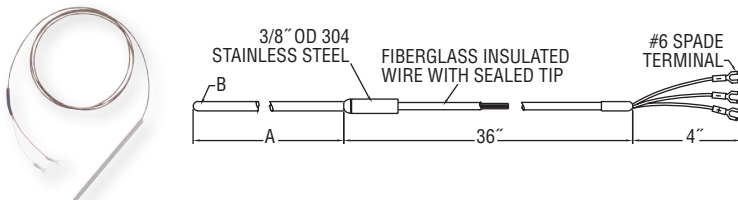


MODEL CHART - SURFACE THERMOCOUPLE (900°F MAX.)			
Model	Sensor Type	Ring Terminal ID	Terminal
122095-24	J	13/32"	#6 spade
122095-32	J	13/64"	#6 spade



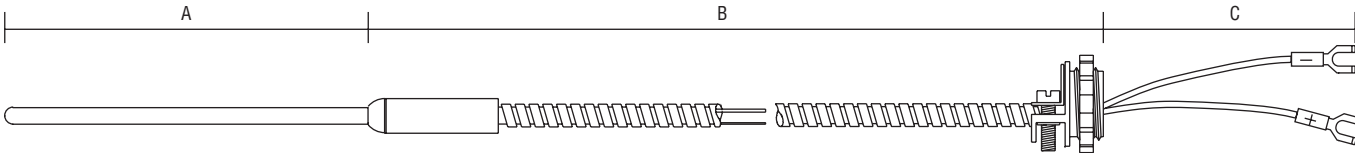
MODEL CHART - WEB STYLE		
Model	A Length	Terminal
122095-86	2.75"	No

MINERAL INSULATED



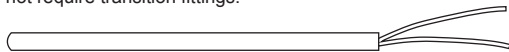
MODEL CHART				
Model	Sensor Type	A Length	B Diameter	Terminal
122088-00	100 Ω RTD	6"	1/4"	#6 spade
122088-01	100 Ω RTD	12"	1/4"	#6 spade
122086-00	100 Ω RTD	6"	1/8"	#6 spade

MINERAL INSULATED THERMOCOUPLES AND RTD'S

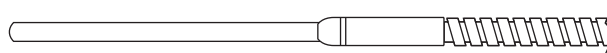


MINERAL INSULATED TRANSITIONS

Due to the varying size of connection wire and cable, a transition fitting is used between the cold end of the sheath and the connecting wires. This fitting measures 1-1/4" long by 1/4" OD for 1/8" or smaller sheaths, and 1-1/2" long by 3/8" OD for 3/16" and 1/4" sheaths. Larger sheaths and sheaths terminating in connectors other than wire or cable do not require transition fittings.



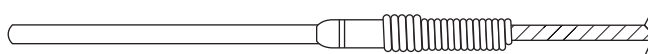
Basic Sheath Configuration



Sheath and Transition Fitting (when made with Flex Hose)



Sheath and Transition Fitting (when made with SS Overbraid Wire)



Sheath and Transition Fitting (when made with Fiberglass Wire)



Scan here to watch product video

SERIES R & P Mineral Insulated Thermocouples and RTDs are known for their excellent mechanical durability and resistance to electrical breakdown. Mineral Insulated Thermocouples can be bent to most any angle without special equipment.

MODEL CODING

Fill in the appropriate numbers or letters to specify the probe of your choice. Fill in all boxes. If an item or dimension does not apply, fill those boxes with zeros '0'.

SENSOR TYPE		RTD TYPE			A IN 1/10 INCH			AA IN 1/10 INCH			B IN INCHES			C IN INCHES	
R	<input type="text"/>	<input type="text"/>	<input type="text"/>	<input type="text"/>	<input type="text"/>	<input type="text"/>	<input type="text"/>	<input type="text"/>	<input type="text"/>	<input type="text"/>	<input type="text"/>	<input type="text"/>	<input type="text"/>	<input type="text"/>	<input type="text"/>
8	<input type="text"/>	<input type="text"/>	<input type="text"/>	<input type="text"/>	<input type="text"/>	<input type="text"/>	<input type="text"/>	<input type="text"/>	<input type="text"/>	<input type="text"/>	<input type="text"/>	<input type="text"/>	<input type="text"/>	<input type="text"/>	<input type="text"/>

SENSOR TYPE	HARDWARE TYPE	EXTENSION TYPE	SENSOR TERMINALS	ELEMENTS	JUNCTION TYPE	SENSOR O.D.	BEND
J - T/C	1 - Plain Sheath (304SS)	1 - Fiberglass Insulation	0 - Stripped Ends	1 - Single	1 - Grounded	1 - 1/16"	1 - None
K - T/C	2 - Plain Sheath (316SS)	2 - Fiberglass Insulation w/ SS Flex Hose	1 - Leads With #6 Spade Lugs	2 - Dual	2 - Ungrounded	2 - 1/8"	2 - 45°
E - T/C	3 - Inconel® 600 Sheath	3 - Fiberglass Insulation w/ SS Overbraid	2 - Leads With #6 Spade Lugs & 1/2 BX	3 - Standard Plug	3 - Exposed Tip	3 - 3/16"	3 - 90°
T - T/C			3 - Standard Plug	4 - Standard Jack		4 - 1/4"	
			6 - Mini Plug			5 - 3/8"	
			7 - Mini Jack				
			8 - Leads With 1/4" Fastabs				
			9 - Leads With 1/4" Fastabs 1/2" BX				

HEAD ASSEMBLY OPTIONS (3/4" NPT Conduit Connection)

- E - Screw Cover Head, AL w/ No Process Connection
- F - Screw Cover Head, Plastic w/ No Process Connection
- G - Screw Cover Head, SS w/ No Process Connection
- H - Snap Cover Head, AL w/ No Process Connection
- I - Screw Cover Head, AL w/ 1/2" NPT Process Connection
- J - Screw Cover Head, Plastic w/ 1/2" NPT Process Connection
- K - Screw Cover Head, SS w/ 1/2" NPT Process Connection
- L - Snap Cover Head, AL w/ 1/2" NPT Process Connection
- M - Screw Cover Head, AL w/ 3/4" NPT Process Connection
- N - Screw Cover Head, Plastic w/ 3/4" Process Connection
- P - Screw Cover Head, SS w/ 3/4" Process Connection
- Q - Snap Cover Head, AL w/ 3/4" Process Connection

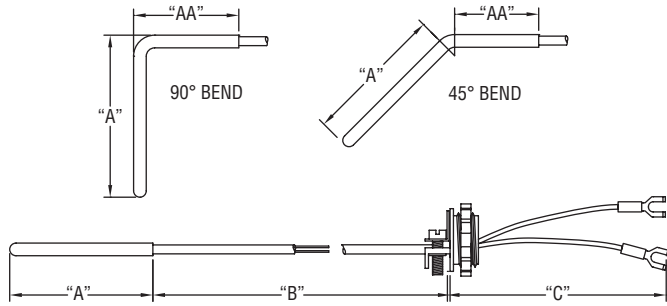
See table for **HEAD ASSEMBLY OPTIONS**

Inconel® is a registered trademark of Huntington Alloys Corporation

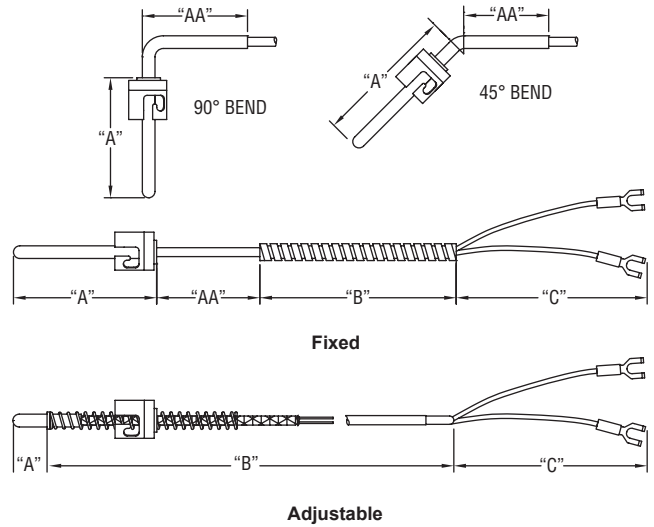


GENERAL PURPOSE AND BAYONET TYPE THERMOCOUPLES & RTD'S

GENERAL PURPOSE



BAYONET



Scan here to watch product video

SERIES 4 & 5 General Purpose Type RTD and Thermocouple tip temperatures can be as high as 842°F (450°C) for fiberglass insulated wire, and 392°F (200°C) for FEP insulated wire. Models can be specified with lead wires or head assembly construction. For higher temperatures see the Series R & 8 Mineral Insulated Probes. ❶

MODEL CODING

Fill in the appropriate numbers or letters to specify the probe of your choice. Fill in all boxes. If an item or dimension does not apply, fill those boxes with zeros '0'.

SENSOR TYPE		RTD TYPE		A IN 1/10 INCH			AA IN 1/10 INCH		B IN INCHES			C IN INCHES	
6 – 100 Ω RTD: 0.00385 Ω/°C	2 – 2-Wire; Class B												
Z – 1000 Ω RTD: 0.00385 Ω/°C	3 – 3-Wire; Class B												
4 – 100 Ω RTD: 0.00392 Ω/°C	5 – 2-Wire; Class A												
	6 – 3-Wire; Class A												


SENSOR TYPE	HARDWARE TYPE	EXTENSION TYPE	SENSOR TERMINALS	ELEMENTS	JUNCTION TYPE	SENSOR O.D.	BEND	
J – T/C	1 – Plain Sheath (316SS)	1 – Fiberglass Insulation 842°F/450°C	0 – Stripped Ends	1 – Single	1 – Grounded	2 – 1/8"	1 – None	
K – T/C	2 – Plain Sheath w/ FEP Coating	2 – Fiberglass Insulation w/ SS Flex Hose	1 – Leads With #6 Spade Lugs	2 – Dual	2 – Ungrounded	3 – 3/16"	2 – 45°	
E – T/C	4 – Back Filled Sheath*	3 – Fiberglass Insulation w/ SS Overbraid	2 – Leads With #6 Spade Lugs 1/2 BX	3 – Exposed Tip	3 – Exposed Tip	4 – 1/4"	3 – 90°	
T – T/C	5 – Back Filled Sheath w/ FEP Coating*	4 – FEP Insulation 392°F/200°C	3 – Standard Plug			5 – 3/8"		
	6 – Bayonet Mount Adjustable Length	5 – FEP Insulation w/ SS Overbraid	4 – Standard Jack					
	7 – Bayonet Mount Fixed Length	6 – FEP Insulation w/ FEP Coated Flex Hose	6 – Mini Plug					
			7 – Mini Jack					
			8 – Leads With 1/4" Fastabs					
			9 – Leads With 1/4" Fastabs 1/2" BX					
			A – 1/2" NPT Hex Nipple (316SS)*					
			B – 3/4" NPT Hex Nipple (316SS)*					
			C – 1/2" NPT Hex Bushing (316SS)*					
			D – 3/4" NPT Hex Bushing (316SS)*					
			See list for HEAD ASSEMBLY OPTIONS*					

*Options only available on Series 4 RTD's

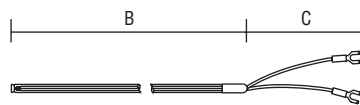
❶ See page 225 (Series R & 8)

SPECIAL APPLICATION THERMOCOUPLES AND RTD'S

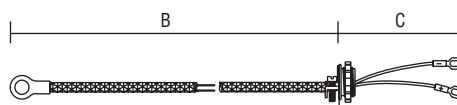
SERIES 9 SPECIALTY SENSOR STYLES



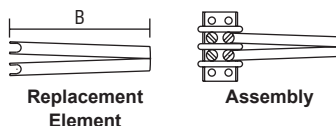
Scan here to watch product video



Flexible FEP Covered Bead Junction




Ring Type Surface Thermocouples and RTD's



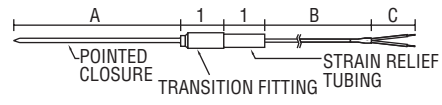
Web Type Surface Thermocouples

Replacement Element Assembly

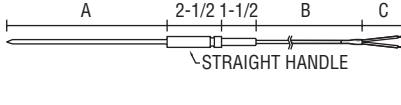
SERIES P PENETRATION PROBE STYLES



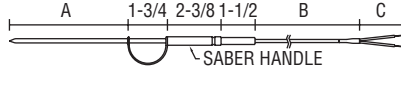
Scan here to watch product video



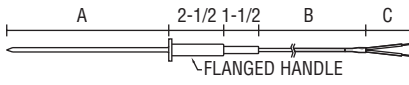
1. Transition Fitting



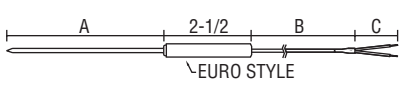
2. Straight Handle



3. Saber Handle



4. Flanged Handle



6&7. Euro Style Handle (FEP or SS)

SERIES 9 & P Special Application Thermocouples and RTD's cover a wide variety of types and configurations. This section covers FEP covered thermocouples and RTD's, ring type thermocouples and RTD's for surface measurement, web type thermocouples for surface measurement of moving objects such as rollers, and penetration thermocouples and RTD's with sharp tips for measurement of viscous liquids and semisolids such as plastic compounds, rubber and slightly frozen food products.

MODEL CODING

Fill in the appropriate numbers or letters to specify the probe of your choice. Fill in all boxes. If an item or dimension does not apply, fill those boxes with zeros '0'.

9 - 1 0 - -

B IN INCHES C IN INCHES

SENSOR TYPE J - T/C K - T/C E - T/C T - T/C 6 - RTD DIN 4 - RTD NIST Z - RTD DIN 1K	HARDWARE TYPE 5 - Bead Junction w/ FEP Coating 2 - Ring #10 (0.196" ID) 7 - Ring #8 (0.144" ID) 8 - Ring 3/8" (0.390" ID) 9 - Web	EXTENSION TYPE 0 - None 1 - Fiberglass Insulation 842°F/450°C 2 - Fiberglass Insulation w/ SS Flex Hose 3 - Fiberglass Insulation w/ SS Overbraid 4 - FEP Insulation 392°F/200°C 5 - FEP Insulation w/ SS Overbraid 6 - FEP Insulation w/ FEP Coated Flex Hose	SENSOR TERMINALS 0 - None 1 - Lugs 2 - Lugs With BX 3 - Standard Plug 4 - Standard Jack 6 - Mini Plug 7 - Mini Jack 8 - Fastabs 9 - Fastabs With BX	JUNCTION TYPE 1 - T/C 2 - 2-Wire RTD; Class B 3 - 3-Wire RTD; Class B 6 - 2-Wire RTD; Class A 7 - 3-Wire RTD; Class A
---	---	--	---	---

P - - - -

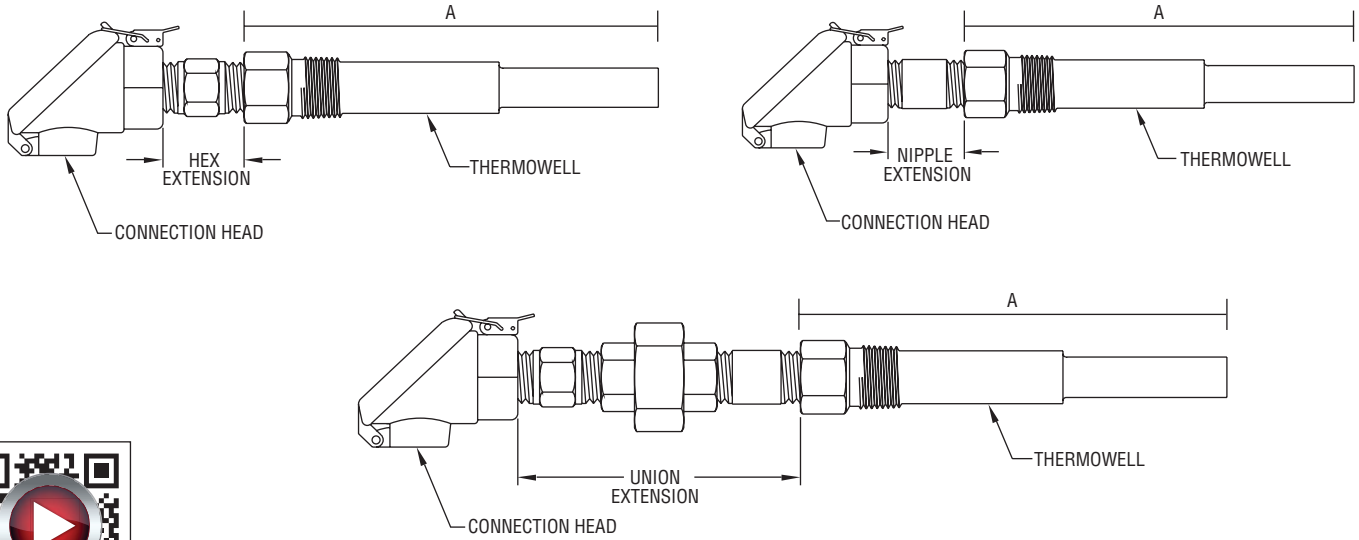
A* IN 1/10 INCH B IN INCHES C IN INCHES

SENSOR TYPE J - T/C T - T/C 6 - RTD DIN 4 - RTD NIST Z - RTD DIN 1K	PROBE STYLE 1 - Transition Fitting, SS 2 - Straight Handle, SS 3 - Saber Handle, SS 4 - Flanged Handle, SS 6 - Euro Style, FEP 7 - Euro Style, SS	EXTENSION TYPE 4 - FEP Insulation 6 - FEP Over SS Flex Hose	SENSOR TERMINALS 0 - Stripped Ends 1 - Lugs 2 - Lugs With BX 3 - Standard Plug 4 - Standard Jack 6 - Mini Plug 7 - Mini Jack	JUNCTION TYPE 1 - Grounded 2 - Ungrounded	SENSOR O.D. 7 - 0.134 O.D. Hypodermic 8 - 0.180 O.D. Hypodermic
---	--	--	--	--	--

**"A" Dimension maximum length is 12" (30 cm)



TEMPERATURE SENSOR ASSEMBLIES WITH THERMOWELLS

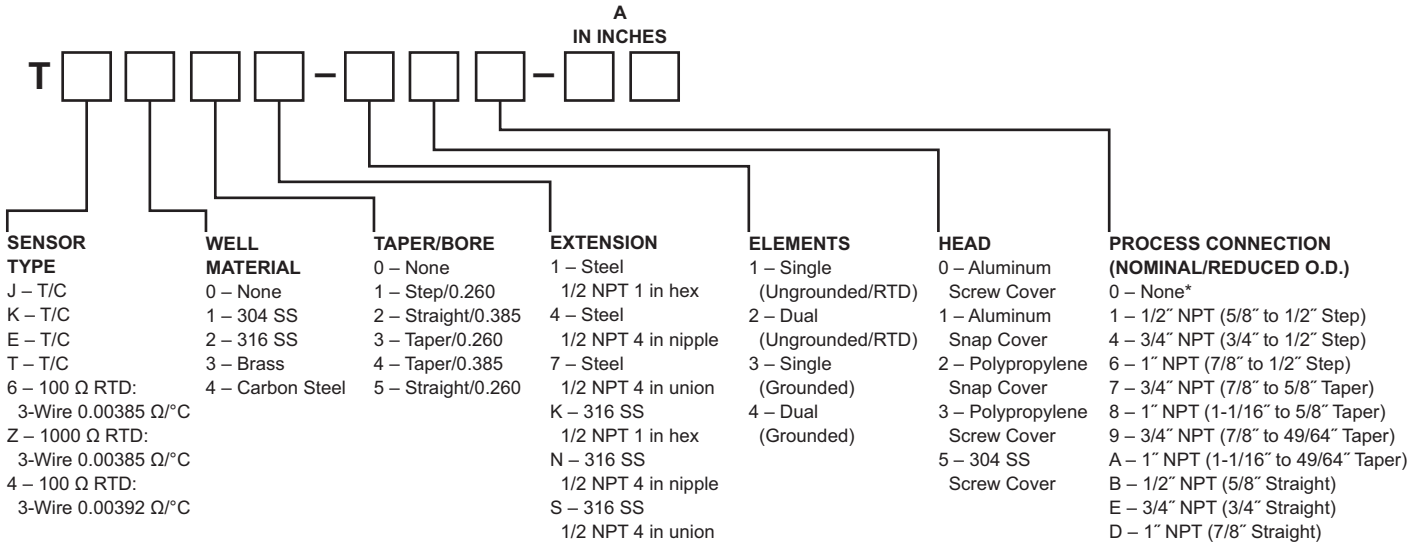


Scan here to watch product video

SERIES T Sensor Assemblies are available in a variety of head styles and thermowell materials. All elements are spring loaded to ensure positive contact in the thermowell. Thermowells are non-lagging. The sensor sheath material is constructed of 316 SS regardless of the well material specified.

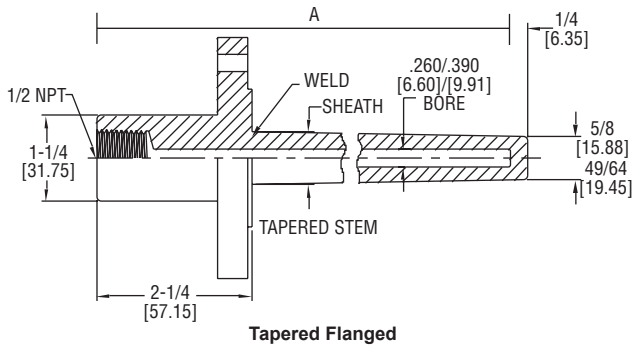
MODEL CODING

Fill in the appropriate numbers or letters to specify the probe of your choice. Fill in all boxes. If an item or dimension does not apply, fill those boxes with zeros '0'.

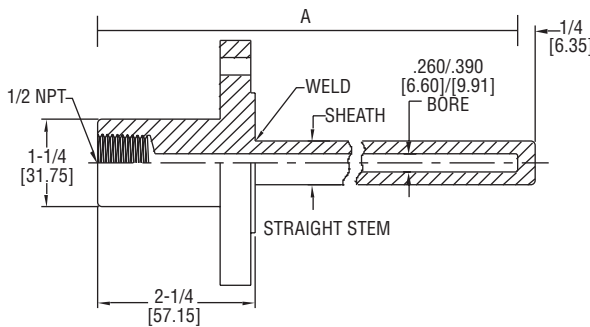


*For replacement sensors, specify "0" for well material, taper and bore, and process connections

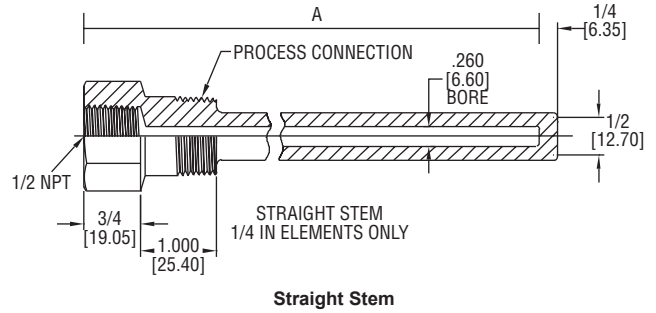
THERMOWELLS



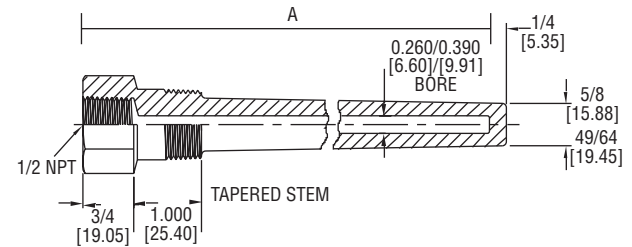
Tapered Flanged



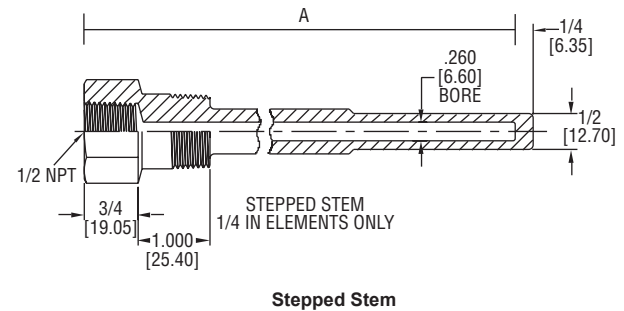
Straight Flanged



Straight Stem
1/4 IN ELEMENTS ONLY



Tapered Stem



Stepped Stem
1/4 IN ELEMENTS ONLY



Scan here to watch product video

Select bore as 0.260 for 1/4" diameter elements and 0.390 for 3/8" diameter elements. Specify heavy duty mounting for tapered sheaths.

MODEL CODING

Fill in the appropriate numbers or letters to specify the thermowell of your choice. Fill in all boxes. If an item or dimension does not apply, fill those boxes with zeros '0'.



HARDWARE

- TYPE**
 1 - 304 SS Sheath
 2 - 316 SS Sheath
 3 - Brass
 4 - Carbon Steel

TAPER/BORE

- 0 - Straight/0.260
 1 - Step/0.260
 2 - Straight/0.390
 3 - Taper/0.260
 4 - Taper/0.390

INSIDE THREAD

- 1 - 1/2" Female NPT

PROCESS CONNECTION

- 1 - 1/2 NPT
 2 - 3/4 NPT
 3 - 1 NPT
 4 - 1" 150# Flange
 5 - 1-1/2" 150# Flange
 6 - 2" 150# Flange
 7 - 1" 300# Flange
 8 - 1-1/2" 300# Flange
 9 - 2" 300# Flange
 A - 1" 600# Flange
 B - 1-1/2" 600# Flange
 C - 2" 600# Flange

MOUNTING

- 1 - Threaded
 2 - Heavy Duty Threaded
 3 - Heavy Duty Flanged
 4 - Flanged

LAG

- 0 - None
 2 - 2"
 3 - 3"

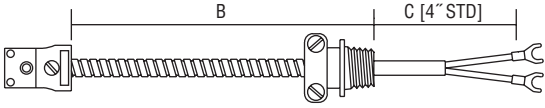
SHEATH O.D. BASE / TAPER

- 1 - 5/8" / 1/2" Step
 4 - 3/4" / 1/2" Step
 6 - 7/8" / 1/2" Step
 7 - 7/8" / 5/8" Taper
 8 - 1-1/16" / 5/8" Taper
 9 - 7/8" / 49/64" Taper
 A - 1-1/16" / 49/64" Taper
 B - 5/8" Straight
 D - 7/8" Straight
 E - 3/4" Straight



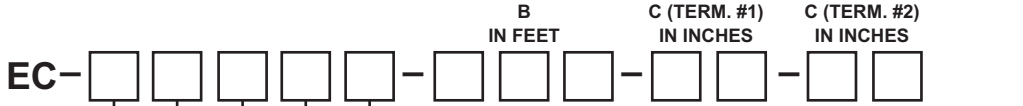
THERMOCOUPLE ACCESSORIES

EXTENSION CABLES



MODEL CODING

Fill in the appropriate numbers or letters to specify the extension cable of your choice. Fill in all boxes. If an item or dimension does not apply, fill those boxes with zeros '0'.



SENSOR TYPE

- J – T/C
- K – T/C
- E – T/C
- T – T/C
- 2 – RTD 2-Wire
- 3 – RTD 3-Wire

EXTENSION TYPE

- 0 – No Extension
- 1 – Fiberglass Insulation
- 3 – Stainless Steel Overbraid
- 4 – FEP Insulation
- 5 – Stainless Steel Flex Hose
- 6 – FEP Over SS Flex Hose

TERMINAL #1

- 0 – Stripped Ends
- 1 – Lugs
- 2 – Lugs With BX
- 3 – Standard Plug
- 4 – Standard Jack
- 6 – Mini Plug
- 7 – Mini Jack
- 9 – Fastabs
- A – Fastabs With BX

TERMINAL #2

- 0 – Stripped Ends
- 1 – Lugs
- 2 – Lugs With BX
- 3 – Standard Plug
- 4 – Standard Jack
- 6 – Mini Plug
- 7 – Mini Jack
- 9 – Fastabs
- A – Fastabs With BX

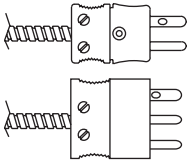
ELEMENTS

- 1 – Single
- 2 – Dual

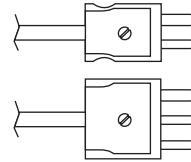


Scan here to watch product video

PLUGS (MALE)

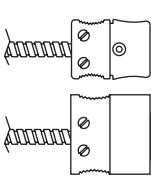


MODEL CHART - STANDARD SIZE SINGLE	
Model	Type
481-0001	J
481-0002	K
481-0003	T
481-0004	Cu11 (2-wire)
481-0015	E
481-0022	Cu (2-wire)
481-0134	Cu (3-wire)

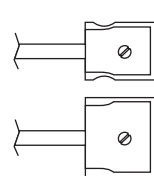


MODEL CHART - MINIATURE SIZE SINGLE	
Model	Type
481-0093	J
481-0095	K
481-0094	T
481-0098	R
481-0097	S
481-0096	E
481-0099	Cu (2-Wire)
481-0175	Cu (3-Wire)

JACKS (FEMALE)

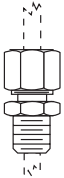


MODEL CHART - STANDARD SIZE SINGLE	
Model	Type
481-0006	J
481-0007	K
481-0008	T
481-0009	Cu11 (2-Wire)
481-0016	E
481-0023	Cu (2-Wire)
481-0135	Cu (3-Wire)



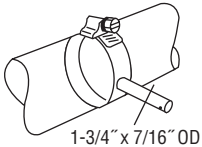
MODEL CHART - MINIATURE SIZE SINGLE	
Model	Type
481-0100	J
481-0102	K
481-0101	T
481-0105	R
481-0104	S
481-0103	E
481-0106	Cu (2-Wire)
481-0174	Cu (3-Wire)

COMPRESSION FITTINGS



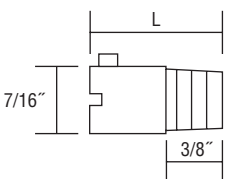
MODEL CHART							
Model	Type OD	Thread Size	Material	Model	Type OD	Thread Size	Material
144-0012	1/8"	1/8-27 NPT	Brass	144-0014	1/4"	1/4-18 NPT	Brass
144-0020	1/8"	1/8-27 NPT	Stainless steel	144-0024	1/4"	1/8-27 NPT	Stainless steel
144-0009	3/16"	1/8-27 NPT	Brass	144-0037	.260 - .275"	1/4-18 NPT	FEP
144-0022	3/16"	1/8-27 NPT	Stainless steel				

PIPE ADAPTERS



MODEL CHART					
Model	Fits Pipe Diameters	Model	Fits Pipe Diameters	Model	Fits Pipe Diameters
1568-0007	1/2" to 7/8"	1568-0013	4-5/16" to 5-1/4"	1568-0024	15-3/4" to 16-1/4"
1568-0008	7/8" to 1-1/2"	1568-0020	6-1/4" to 6-3/4"	1568-0025	17-3/4" to 18-1/4"
1568-0009	1-5/16" to 2-1/4"	1568-0021	7-3/4" to 8-1/4"	1568-0027	19-3/4" to 20-1/4"
1568-0011	2-1/4" to 3-5/16"	1568-0022	9-3/4" to 10-1/4"	1568-0028	23-3/4" to 24-1/4"
1568-0012	3-5/8" to 4-1/4"	1568-0023	11-3/4" to 12-1/4"	1568-0029	29-3/4" to 30-1/4"

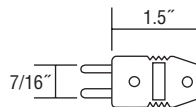
BAYONET ADAPTERS



MODEL CHART		
Model	L	Thread Size
1568-0001	7/8"	1/8-27 UNF
1568-0002	7/8"	3/8-24 UNF
1568-0003	1-3/8"	1/8-27 UNF
1568-0004	1-3/8"	3/8-24 UNF
1568-0005	2-1/2"	1/8-27 UNF
1568-0006	2-1/2"	3/8-24 UNF
1568-0016	2-1/2"	10 x 1.5 mm

TRANSITION ADAPTERS

These adapters convert the miniature plug on the end of the coiled cable on the Master Probe Handle to a standard lug. Simply plug the cord into the adapter.

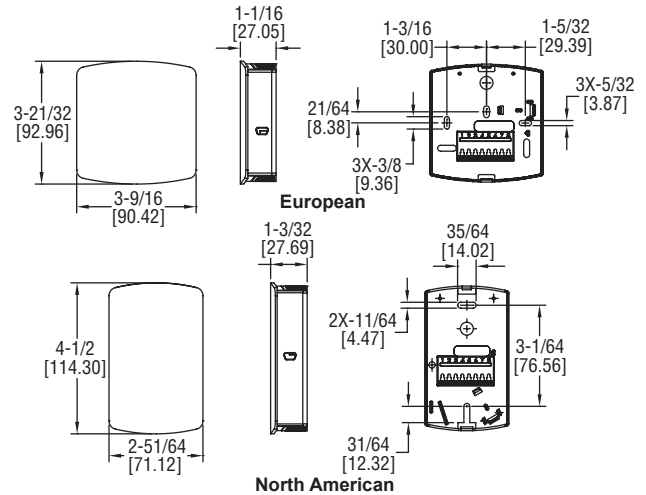


MODEL CHART	
Model	Type
481-0127	K
481-0126	J
481-0128	T



WALL MOUNT TEMPERATURE SENSOR

Discrete Wall Mount Housing



The **SERIES TE-E/N** Wall Mount Temperature Sensor provides a low cost temperature input for any building management system.

FEATURES/BENEFITS

- North American or European housing aesthetic options
- Uniform look matches other Dwyer wall mount devices
- Universal mounting plate meets various installation requirements

APPLICATIONS

- Building automation
- Room temperature monitoring

MODEL CHART			
North American Model	Sensor Type	European Model	Sensor Type
TE-NND-A	10k Ω type III thermistor	TE-END-A	10k Ω type III thermistor
TE-NND-B	10k Ω type II thermistor	TE-END-B	10k Ω type II thermistor
TE-NND-C	3k Ω thermistor	TE-END-C	3k Ω thermistor
TE-NND-D	Pt100 Ω RTD	TE-END-D	Pt100 Ω RTD
TE-NND-E	Pt1000 Ω RTD	TE-END-E	Pt1000 Ω RTD
TE-NND-F	20k Ω thermistor	TE-END-F	20k Ω thermistor

SPECIFICATIONS

Accuracy: Thermistor temp sensor: $\pm 0.22^{\circ}\text{C}$ @ 25°C ($\pm 0.4^{\circ}\text{F}$ @ 77°F); RTD temp sensor: DIN class B; $\pm 0.3^{\circ}\text{C}$ @ 0°C ($\pm 0.5^{\circ}\text{F}$ @ 32°F).
Temperature Limits: -40 to 140°F (-40 to 60°C).
Housing Material: ABS plastic.
Weight: 0.3 lb (136 g).

STAINLESS STEEL WALL PLATE TEMPERATURE SENSOR

Screw Terminal Connection, Suitable for Wash Down Applications



Scan here to watch product video

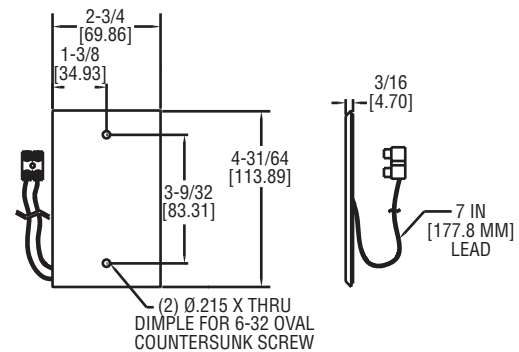
The **SERIES TE-WSS** Stainless Steel Wall Plate Temperature Sensor measures the ambient air temperature in classrooms and industrial environments.

FEATURES/BENEFITS

- SS flush plate design
- Standard single gang junction box cover plate mounting

APPLICATIONS

- Building automation
- Room temperature monitoring
- Wash down environments



SPECIFICATIONS

Accuracy: Thermistor: $\pm 0.22^{\circ}\text{C}$ @ 25°C ($\pm 0.4^{\circ}\text{F}$ @ 77°F); RTD: DIN Class B $\pm 0.3^{\circ}\text{C}$ @ 0°C .
Temperature Limits: Operating -40 to 140°F (-40 to 60°C).
Sensor Curves: See page reference below.
Housing Material: 304 SS wall plate.
Weight: 2.3 oz (65 g).

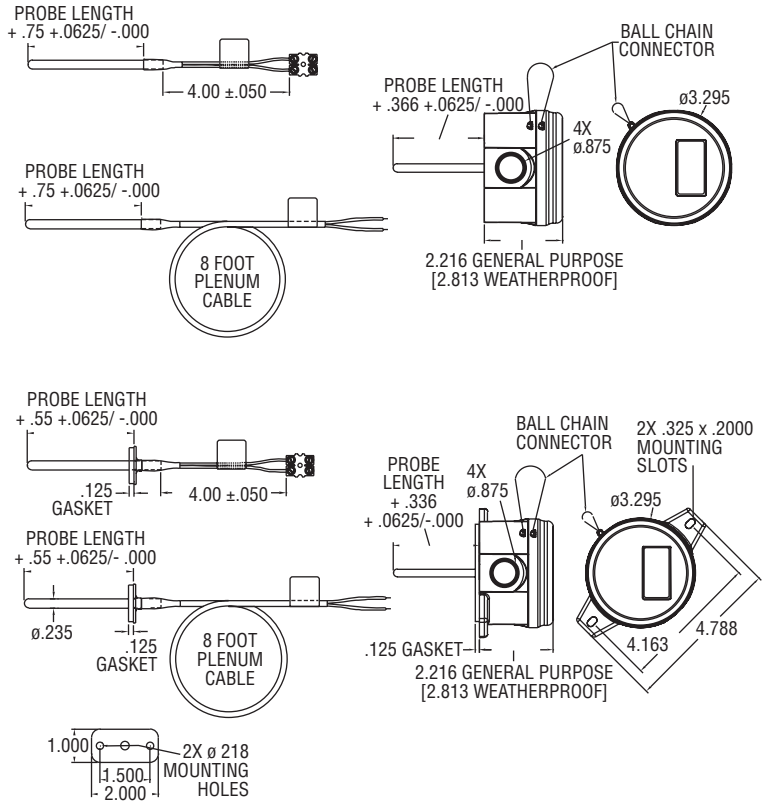
MODEL CHART	
Model	Sensor Type
TE-WSS-A	10k Ω type III thermistor
TE-WSS-B	10k Ω type II thermistor
TE-WSS-C	3k Ω thermistor
TE-WSS-D	PT100 Ω RTD
TE-WSS-E	PT1000 Ω RTD
TE-WSS-F	20k Ω thermistor

Resistance vs. Temperature Table: See page 234 (Series TE-OND/RND/OSA)



DUCT AND IMMERSION BUILDING AUTOMATION TEMPERATURE SENSORS

Available up to 18" Probe Length, Thermistor or RTD Outputs



Scan here to watch product video

The **SERIES TE** Duct and Immersion Temperature Sensor can be used to monitor air or water temperature throughout a building management system or an air handler unit. Duct or immersion options available with or without an enclosure.

FEATURES/BENEFITS

- Easy to mount external tab housing and flange options for duct applications
- 1/4 turn housing cover with chain to prevent dropping
- Multiple conduit knockouts for easy installation positioning
- 8" plenum rated cable option
- Terminal connector eliminates need for wire nuts

APPLICATIONS

- Building automation
- VAV temperature sensing
- Chiller or boiler loops
- AHU monitoring

SPECIFICATIONS

Accuracy: Thermistor temperature sensor: $\pm 0.22^{\circ}\text{C}$ @ 25°C ($\pm 0.4^{\circ}\text{F}$ @ 77°F); RTD temperature sensor: DIN class A: $\pm 0.15^{\circ}\text{C}$ @ 0°C ($\pm 0.28^{\circ}\text{F}$ @ 32°F).
Temperature Limits: Operating: -40 to 302°F (-40 to 150°C).
Sensor Curves: See page reference **1** below.
Cable Rating: Plenum option includes UL listed plenum cable.
Housing Material: Meets UL, 94 V-O polycarbonate plastic.
Housing Rating: NEMA 4X (IP66) (DFW, IBW only).
Weight: 5.3 oz (150.3 g).

MODEL CHART								
Example	TE	-DFN	-A	04	4	8	-00	TE-DFN-A0448-00
Series	TE							Temperature sensor
Mounting Configuration	DFN							Duct mount probe only
	DFG							Duct mount probe in general purpose housing
	DFW							Duct mount probe in NEMA 4X housing
	IBN							Immersion probe only
	IBG							Immersion probe in general purpose housing
Sensor Type		A						10k Ω type III thermistor
		B						10k Ω type II thermistor
		C						3k Ω thermistor
		D						Pt100 Ω RTD
		E						Pt1000 Ω RTD
Probe Length				25				2.5"
				04				4"
				06				6"
Probe Diameter					4			1/4"
						4		4" leads
						8		8" plenum rated cable
							00	None (probe only)
							12	1/2" NPT compression fitting
Fittings							14	1/4" NPT compression fitting

THERMOWELLS - MACHINED		
Model	Length	Connection (Internal/External) (NPT)
TE-TNS-N044N-14	4"	1/4" / 1/2"
TE-TNS-N044N-12	4"	1/2" / 3/4"
TE-TNS-N064N-14	6"	1/4" / 1/2"
TE-TNS-N064N-12	6"	1/2" / 3/4"
TE-TNS-N094N-14	9"	1/4" / 1/2"
TE-TNS-N094N-12	9"	1/2" / 3/4"
TE-TNS-N124N-14	12"	1/4" / 1/2"
TE-TNS-N124N-12	12"	1/2" / 3/4"



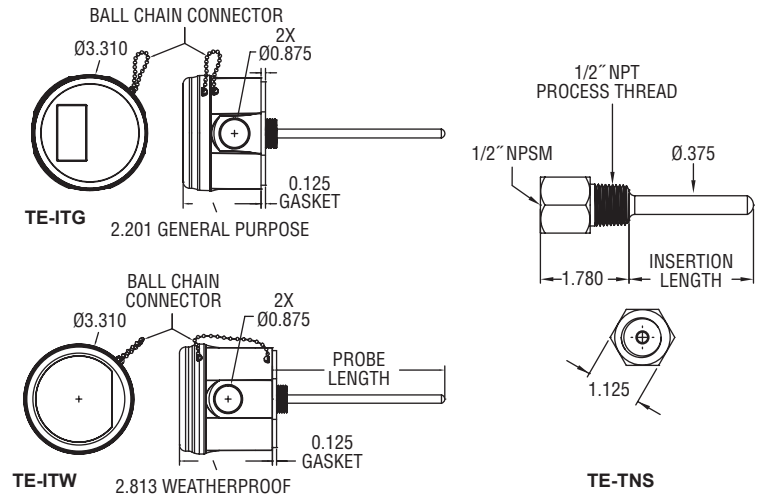
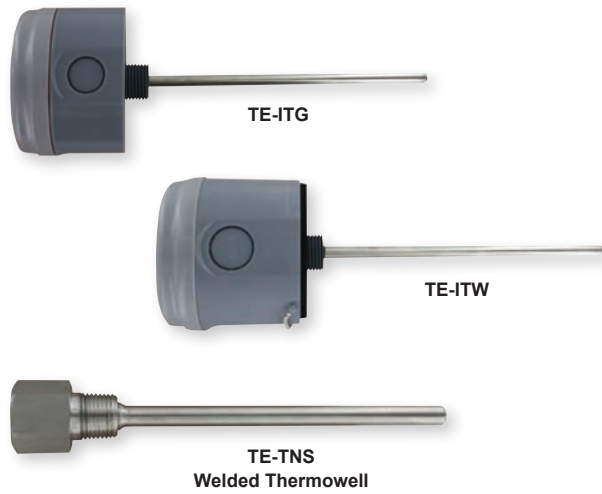
Machined Thermowell

For Straight Thermowell Dimensions: See page 229 (Series W)
 1 Resistance vs. Temperature Table: See page 234 (Series TE-OND/RND/O5A)



IMMERSION TEMPERATURE SENSORS

New Integral Mounting Connection, Welded Thermowells



The **SERIES TE-I** Immersion Style Temperature Sensors accurately measure water temperature inside chilled and hot water loops in HVAC systems. Thermowells are required to protect the electrical connection from the process water and to allow replacement of the sensors without draining the system.

FEATURES/BENEFITS

- 1/4 turn housing cover with chain to prevent dropping
- Multiple conduit knockouts for easy installation positioning
- Integral 1/2" NPT connection for direct mounting to a thermowell
- General purpose or weatherproof enclosure options
- Terminal connection eliminates need for wire nuts

APPLICATIONS

- Chiller or boiler loops
- Building automation

SPECIFICATIONS

Accuracy: Thermistor temperature sensor: $\pm 0.22^{\circ}\text{C}$ @ 25°C ($\pm 0.4^{\circ}\text{F}$ @ 77°F); RTD temperature sensor DIN Class A: $\pm 0.15^{\circ}\text{C}$ @ 0°C ($\pm 0.28^{\circ}\text{F}$ @ 32°F).

Temperature Limits: Operating: -40 to 302°F (-40 to 150°C).

Sensor Curves: See page reference **•** below.

Housing Material: Meets UL, 94 V-O polycarbonate plastic.

Thermowell Material: 304 SS.

Weight: 5.3 oz (150.3 g).

MODEL CHART								
Example	TE	-ITG	-A	25	4	4	-00	TE-ITG-A2544-00
Series	TE							Duct and immersion building automation temperature sensor
Mounting Configuration		ITG						Immersion in general purpose housing
		ITW						Immersion in NEMA 4X housing
Sensor Type			A					10k Ω type III thermistor
			B					10k Ω type II thermistor
			C					3k Ω thermistor
			D					Pt100 Ω RTD
			E					Pt1000 Ω RTD
			F					20k Ω thermistor
			Q					10k Ω type III with 11k Ω shunt
Probe Length				25				2.5"
				04				4"
				06				6"
				08				8"
				12				12"
				18				18"
Probe Diameter					4			1/4"
Termination						4		4" flying leads terminal block
Fittings							00	None (integral)

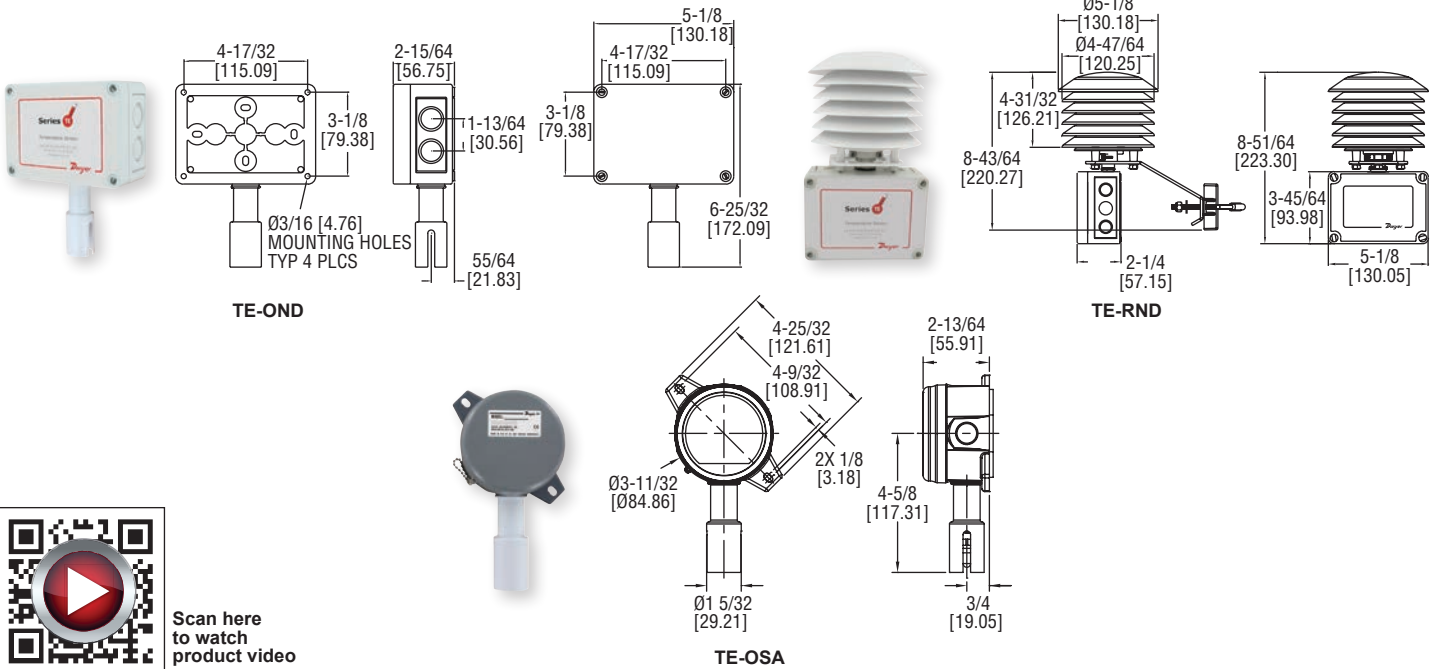
THERMOWELLS - WELDED		
Model	Material	Insertion Length
TE-TNS-N253N-00	304 SS	2.5"
TE-TNS-N043N-00	304 SS	4"
TE-TNS-N063N-00	304 SS	6"
TE-TNS-N083N-00	304 SS	8"
TE-TNS-N123N-00	304 SS	12"
TE-TNS-N183N-00	304 SS	18"

• Resistance vs. Temperature Table: See page 234 (Series TE-OND/RND/OSA)



OUTDOOR TEMPERATURE SENSORS

Protection Against Radiated Heat, Weatherproof Housing



Scan here to watch product video

The **SERIES TE-OND/TE-RND/TE-OSA** Outdoor Air Temperature Sensors are offered different configurations to increase measurement accuracy by reducing radiated heat effects. For applications where the north side of the building is accessible, the TE-OND/TE-OSA can be used to protect against low levels of radiated heat.

FEATURES/BENEFITS

- Weatherproof for outdoor installation
- Radiation shield available to eliminate heating effects following installation in direct sunlight
- Terminal connector eliminates need for wire nuts

APPLICATIONS

- Building automation
- Outdoor temperature reference

MODEL CHART

Model	Sensor Type
TE-OND-A	10k Ω type III thermistor
TE-OND-B	10k Ω type II thermistor
TE-OND-C	3k Ω thermistor
TE-OND-D	PT100 Ω RTD
TE-OND-E	PT1000 Ω RTD
TE-OND-F	20k Ω thermistor
TE-OND-Q	10k Ω type III thermistor with 11k Ω shunt
TE-RND-A	10k Ω type III thermistor
TE-RND-B	10k Ω type II thermistor
TE-RND-C	3k Ω thermistor
TE-RND-D	PT100 Ω RTD
TE-RND-E	PT1000 Ω RTD
TE-RND-F	20k Ω thermistor
TE-RND-Q	10k Ω type III thermistor with 11k Ω shunt
TE-OSA-A	10k Ω type III thermistor
TE-OSA-B	10k Ω type II thermistor
TE-OSA-C	3k Ω thermistor
TE-OSA-D	PT100 Ω RTD
TE-OSA-E	PT1000 Ω RTD
TE-OSA-F	20k Ω thermistor
TE-OSA-Q	10k Ω type III thermistor with 11k Ω shunt

SPECIFICATIONS

Accuracy: Thermistor temperature sensor: ±0.22°C @ 25°C (±0.4°F @ 77°F); RTD temperature sensor: DIN class A: ±0.15°C @ 0°C (±0.28°F @ 32°F).
Temperature Limits: Operating: -40 to 302°F (-40 to 150°C).
Sensor Curves: See Resistance vs. Temperature Table.
Housing Material: Polycarbonate.
Enclosure Rating: TE-OND/TE-RND: NEMA 4X (IP65); TE-OSA: NEMA 3R (IP54).
Weight: 0.65 lb (295 g).

RESISTANCE VS TEMPERATURE TABLE

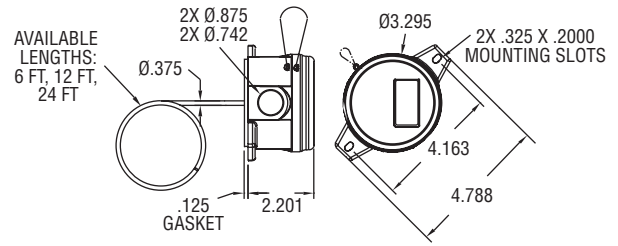
Temperature		Resistance Curves (Ω)					
°C	°F	A Green/Green	B Red/Green	C Black/Black	D Yellow/Yellow	E Red/Red	F Green/Blue
-55	-67.0	607800.00	963849.00	289154.70	78.32	783.2	2394000.00
-50	-58.0	441200.00	670166.00	201049.80	80.31	803.1	1646200.00
-45	-49.0	323600.00	471985.00	141595.50	82.29	822.9	1145800.00
-40	-40.0	239700.00	336479.00	100943.70	84.27	842.7	806800.00
-35	-31.0	179200.00	242681.00	72804.30	86.25	862.5	574400.00
-30	-22.0	135200.00	176974.00	53092.20	88.22	882.2	413400.00
-25	-13.0	102900.00	130421.00	39126.30	90.19	901.9	300400.00
-20	-4.0	78910.00	97081.00	29124.30	92.16	921.6	220600.00
-15	5.0	61020.00	72957.00	21887.10	94.12	941.2	163500.00
-10	14.0	47540.00	55329.00	16598.70	96.09	960.9	122280.00
-5	23.0	37310.00	42327.00	12698.10	98.04	980.4	92240.00
0	32.0	29490.00	32650.00	9795.00	100.00	1000.0	70160.00
5	41.0	23460.00	25392.00	7617.60	101.95	1019.5	53780.00
10	50.0	18780.00	19901.00	5970.30	103.90	1039.0	41560.00
15	59.0	15130.00	15712.00	4713.60	105.85	1058.5	32340.00
20	68.0	12260.00	12493.00	3747.90	107.79	1077.9	25360.00
25	77.0	10000.00	10000.00	3000.00	109.74	1097.4	20000.00
30	86.0	8194.00	8057.00	2417.10	111.67	1116.7	15892.00
35	95.0	6752.00	6531.00	1959.30	113.61	1136.1	12704.00
40	104.0	5592.00	5326.00	1597.80	115.54	1155.4	10216.00
45	113.0	4655.00	4368.00	1310.40	117.47	1174.7	8264.00
50	122.0	3893.00	3602.00	1080.60	119.40	1194.0	6722.00
55	131.0	3271.00	2986.00	895.80	121.32	1213.2	5498.00
60	140.0	2760.00	2488.00	746.40	123.24	1232.4	4520.00
65	149.0	2339.00	2083.00	624.90	125.16	1251.6	3734.00
70	158.0	1990.00	1752.00	525.60	127.08	1270.8	3100.00
75	167.0	1700.00	1480.00	444.00	128.99	1289.9	2586.00
80	176.0	1458.00	1255.00	376.50	130.90	1309.0	2166.00
85	185.0	1255.00	1070.00	321.00	132.80	1328.0	1822.60
90	194.0	1084.00	915.50	274.65	134.71	1347.1	1540.00
95	203.0	939.30	786.60	235.98	136.61	1366.1	1306.40
100	212.0	816.80	678.60	203.58	138.51	1385.1	1112.60
105	221.0	712.60	587.60	176.28	140.40	1404.0	951.00
110	230.0	623.60	510.60	153.18	142.29	1422.9	815.80
115	239.0	547.30	445.30	133.59	144.18	1441.8	702.20
120	248.0	481.80	389.60	116.88	146.07	1460.7	606.40
125	257.0	425.30	341.90	102.57	147.95	1479.5	525.60
130	266.0	376.40	301.00	90.30	149.83	1498.3	N/A
135	275.0	334.00	265.80	79.74	151.71	1517.1	N/A
140	284.0	297.20	235.30	70.59	153.58	1535.8	N/A
145	293.0	265.10	208.90	62.67	155.46	1554.6	N/A
150	302.0	237.00	186.10	55.83	157.33	1573.3	N/A

AVERAGING TEMPERATURE SENSORS

Available in 6', 12' and 24' Lengths



Scan here to watch product video



The **SERIES TE-A** Averaging Temperature Sensors feature a long bendable aluminum capillary to measure the average temperature in large ducts and air handler units.

FEATURES/BENEFITS

- Easy to mount external tab housing
- 1/4 turn housing cover with chain
- Multiple conduit knockouts for easy installation positioning

APPLICATIONS

- Building automations
- Air handler unit monitoring
- Large air duct temperature monitoring

SPECIFICATIONS

Accuracy: Thermistor temperature sensor: $\pm 0.22^{\circ}\text{C}$ @ 25°C ($\pm 0.4^{\circ}\text{F}$ @ 77°F); RTD temperature sensor: DIN class B: $\pm 0.3^{\circ}\text{C}$ @ 0°C ($\pm 0.54^{\circ}\text{F}$ @ 32°F).
Temperature Limits: -40 to 302°F (-40 to 150°C).
Capillary Lengths: 6, 12 or 24' (depending on model).
Cable Length: 4".
Sensor Curves: See page reference below.
Probe Material: Bendable aluminum probe.
Housing Material: Meets UL, 94 V-0 polycarbonate plastic.
Weight: 14 oz (397 g).

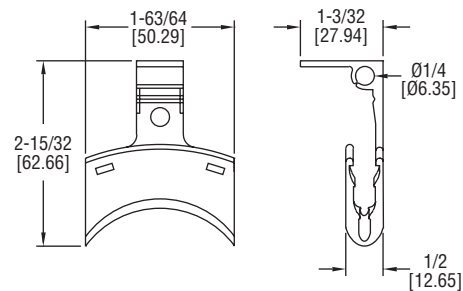
MODEL CHART

Model	Sensor Type	Capillary Length	Model	Sensor Type	Capillary Length
TE-AAG-A0634-00	10k type III NTC thermistor	6'	TE-AAG-D0634-00	Pt100 RTD	6'
TE-AAG-A1234-00	10k type III NTC thermistor	12'	TE-AAG-D1234-00	Pt100 RTD	12'
TE-AAG-A2434-00	10k type III NTC thermistor	24'	TE-AAG-D2434-00	Pt100 RTD	24'
TE-AAG-B0634-00	10k type II NTC thermistor	6'	TE-AAG-E0634-00	Pt1000 RTD	6'
TE-AAG-B1234-00	10k type II NTC thermistor	12'	TE-AAG-E1234-00	Pt1000 RTD	12'
TE-AAG-B2434-00	10k type II NTC thermistor	24'	TE-AAG-E2434-00	Pt1000 RTD	24'
TE-AAG-C0634-00	3k NTC thermistor	6'	TE-AAG-F0634-00	20k NTC thermistor	6'
TE-AAG-C1234-00	3k NTC thermistor	12'	TE-AAG-F1234-00	20k NTC thermistor	12'
TE-AAG-C2434-00	3k NTC thermistor	24'	TE-AAG-F2434-00	20k NTC thermistor	24'

Resistance vs. Temperature Table: See page 234 (Series TE-OND/RND/OSA)

AVERAGING TEMPERATURE SENSOR CLIPS

3/8", 1/4", or 1/8" Sensor Diameters



The **SERIES CC1** Averaging Temperature Sensor Clips are used to mount the capillary of an averaging temperature sensor to the wall of the duct or air handler. Slots are provided for using nylon zip ties to hold the tubing in place, if needed.

FEATURES/BENEFITS

- Works with Series TE-A sensors
- Beige, gray, or natural color options
- 3/8", 1/4", or 1/8" sensor diameters

APPLICATIONS

- Building automation
- Averaging temperature sensor mounting

MODEL CHART

Model	Color
CC1-N	Natural
CC1-B	Beige
CC1-GY	Grey

Note: Sold individually

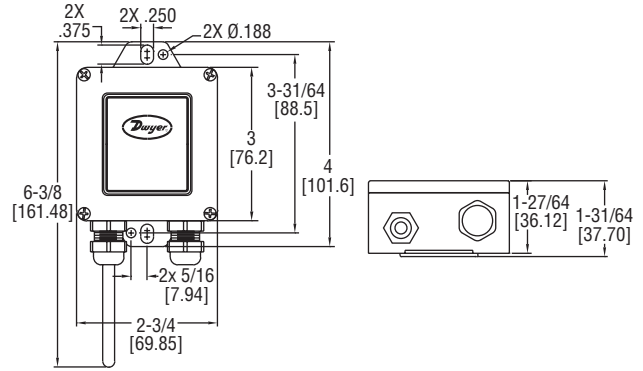


OUTSIDE AIR TEMPERATURE SENSORS

NEMA 4X, Removable Terminal Block



Scan here to watch product video



The **SERIES O-4** Outside Air Temperature Sensors are great for monitoring ambient air temperatures in outdoor applications. The temperature sensors are mounted in a NEMA 4X enclosure with integral mounting tabs.

FEATURES/BENEFITS

- NEMA 4X weatherproof housing
- Surface or suspension mount

APPLICATIONS

- Agricultural house ventilation
- HVAC and building automation

SPECIFICATIONS

Accuracy: Thermistor temperature sensor: $\pm 0.22^{\circ}\text{C}$ @ 25°C ($\pm 0.4^{\circ}\text{F}$ @ 77°F); RTD temperature sensor: DIN class B: $\pm 0.3^{\circ}\text{C}$ @ 0°C ($\pm 0.54^{\circ}\text{F}$ @ 32°F).

Operating Temperature: -40 to 250°F .

Probe Diameter: 0.235" (5.97 mm).

Probe Length: 3.5".

Probe Material: 304 SS.

Mounting: Suspension or surface.

Enclosure Rating: NEMA 4X (IP66).

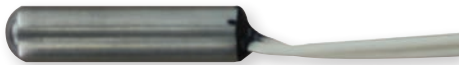
Weight: 3 oz (85 g).

MODEL CHART

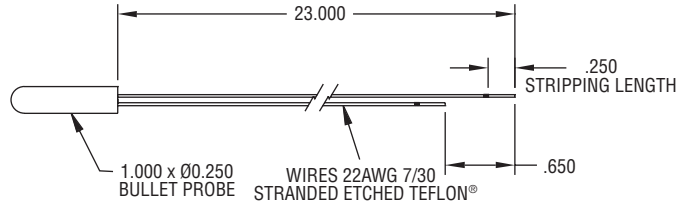
Model	Sensor Type	Model	Sensor Type
O-4A	10k Ω type III thermistor	O-4D	Pt100 Ω RTD
O-4B	10k Ω type II thermistor	O-4E	Pt1000 Ω RTD
O-4C	3k Ω thermistor	O-4F	20k Ω thermistor

SURFACE MOUNT TEMPERATURE SENSORS

RTD and Thermistor, 304 SS Probe, Waterproof



Scan here to watch product video



S2-1X No Housing

The **SERIES S2-1** Surface Mount Temperature Sensors provide a cost effective and reliable solution for surface contact temperature measurement of conditioned water pipes, low pressure steam or refrigerant lines.

FEATURES/BENEFITS

- Low profile sensor can be taped or strapped to the outside of a pipe
- Ideal for applications where immersion wells are not feasible

APPLICATIONS

- Heating or cooling loop line temperature monitoring
- HVAC systems

SPECIFICATIONS

Accuracy: Platinum RTD: $\pm 0.1\%$ @ 32°F (0°C), alpha 385 per DIN 43760; Nickel RTD: $\pm 0.5^{\circ}\text{F}$ @ 70°F (21.1°C); Balco®: $\pm 0.5^{\circ}\text{F}$ @ 70°F (21.1°C); Thermistor: $\pm 0.2^{\circ}\text{C}$ interchangeable @ 77°F (25°C).

Operating Temperature: -40 to 250°F (-40 to 125°C).

Probe Diameter: 1/4" (6.3 mm).

Probe Length: 1" (25 mm).

Probe Material: 304 SS.

MODEL CHART

Model	Sensor Type	Model	Sensor Type
S2-11	Pt100 Ω RTD	S2-17	5k Ω NTC thermistor
S2-12	Pt1000 Ω RTD	S2-18	100k Ω NTC thermistor
S2-13	Ni1000 Ω RTD	S2-19	20k Ω NTC thermistor
S2-14	1000 Ω Balco® RTD	S2-1A	2252 Ω NTC thermistor
S2-15	10k Ω type II thermistor	S2-1B	10k Ω type III NTC thermistor
S2-16	3k Ω NTC thermistor		

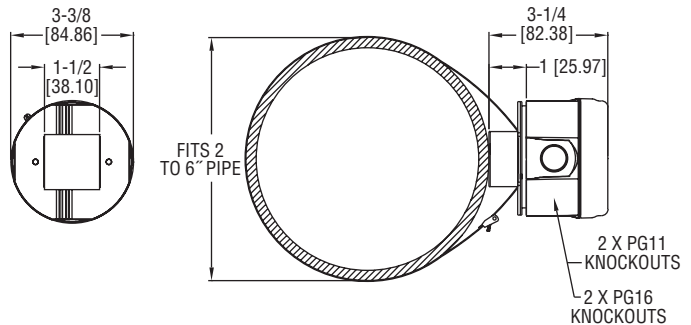
Balco® is a registered trademark of CRS Holdings, Inc.
Teflon® is a registered trademark of E.I. DuPont De Nemours and Company

WEATHER RESISTANT SURFACE TEMPERATURE SENSORS

Strap On Design, Twist Off Cover, 2 to 6" Pipe Sizes



Scan here to watch product video



The **SERIES TE-SNW** Surface Temperature Sensors non-intrusively measures the process temperature in hot and cold water loops in buildings. In order to work with most common building controllers, the output of the sensor can be chosen from 6 different RTD and Thermistor curves.

FEATURES/BENEFITS

- Easy to mount external tab housing
- 1/4 turn housing cover with chain
- Multiple conduit knockouts for easy installation positioning
- Non-intrusive temperature measurement of 2 to 6" pipes

APPLICATIONS

- Heating or cooling loop line temperature monitoring
- HVAC systems

SPECIFICATIONS

Accuracy: Thermistor temperature sensor: $\pm 0.22^{\circ}\text{C}$ @ 25°C ($\pm 0.4^{\circ}\text{F}$ @ 77°F); RTD temperature sensor: DIN Class A $\pm 0.15^{\circ}\text{C}$ @ 0°C ($\pm 0.28^{\circ}\text{F}$ @ 32°F).
Temperature Limits: Operating: -32 to 240°F (-35.5 to 115.5°C).
Sensor Curves: See page reference **1** below.
Housing Material: Meets UL 94 V-0 polycarbonate plastic, NEMA 3R.
Weight: 7 oz (198 g).

MODEL CHART

Model	Sensor Type
TE-SNW-A	10k Ω type III thermistor
TE-SNW-B	10k Ω type II thermistor
TE-SNW-C	3k Ω thermistor
TE-SNW-D	Pt100 Ω RTD
TE-SNW-E	Pt1000 Ω RTD
TE-SNW-F	20k Ω thermistor

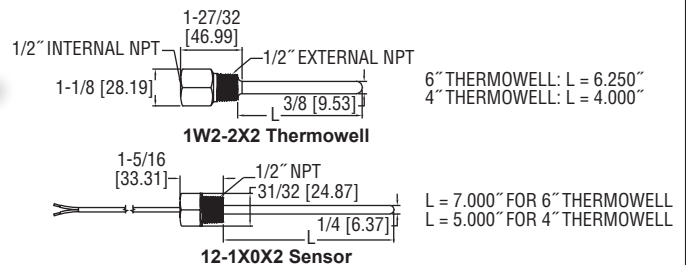
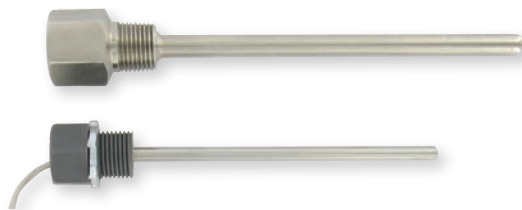
Resistance vs. Temperature Table: See page 234 (Series TE-OND/RND/OSA)

IMMERSION TEMPERATURE PROBES

RTD & Thermistor Outputs, 304 SS Probes



Scan here to watch product video



The **SERIES I2-1** Immersion Temperature Probes are designed to monitor the hot and chilled water lines throughout a building's water distribution loop.

Note: A Series IW2 Thermowell must be used on pressurized air and water lines to prevent leakage around the probe.

FEATURES/BENEFITS

- Direct wall mounting
- 6' cable
- 1/2" internal NPT accepts conduit for more industrial installation

APPLICATIONS

- Hot or chilled water line monitoring
- HVAC and building automation systems

SPECIFICATIONS

Accuracy: Platinum RTD: $\pm 0.6\%$ @ 32°F (0°C); Nickel RTD: $\pm 0.5^{\circ}\text{F}$ @ 32°F (0°C); Balco RTD: $\pm 0.1\%$ @ 32°F (0°C); Thermistors: $\pm 0.36^{\circ}\text{F}$ from 32 to 158°F (0 to 70°C).
Operating Temperature: -32 to 240°F (-35.5 to 115.5°C).
Probe Diameter: 1/4" (6.3 mm).
Cable Length: 6' (1.8 m).
Probe Material: 304 SS.
Mounting: 1/2" threaded connection to fit Series IW2 thermowell.

MODEL CHART - 6" INSERTION LENGTH

Model	Sensor Type
I2-11062	Pt100 Ω RTD
I2-12062	Pt1000 Ω RTD
I2-13062	Ni1000 Ω RTD
I2-14062	Balco 1000 Ω RTD
I2-15062	10k Ω type 2 thermistor
I2-16062	3k Ω thermistor
I2-17062	5k Ω thermistor
I2-18062	100k Ω thermistor
I2-19062	20k Ω thermistor
I2-1A062	2252 Ω thermistor
I2-1B062	10k Ω type 3 thermistor

MODEL CHART - 4" INSERTION LENGTH

Model	Sensor Type
I2-11042	Pt100 Ω RTD
I2-12042	Pt1000 Ω RTD
I2-13042	Ni1000 Ω RTD
I2-14042	Balco 1000 Ω RTD
I2-15042	10k Ω type 2 thermistor
I2-16042	3k Ω thermistor
I2-17042	5k Ω thermistor
I2-18042	100k Ω thermistor
I2-19042	20k Ω thermistor
I2-1A042	2252 Ω thermistor
I2-1B042	10k Ω type 3 thermistor

MODEL CHART - THERMOWELLS

Model	Material	Insertion Length
IW2-262	304 SS	6"
IW2-242	304 SS	4"

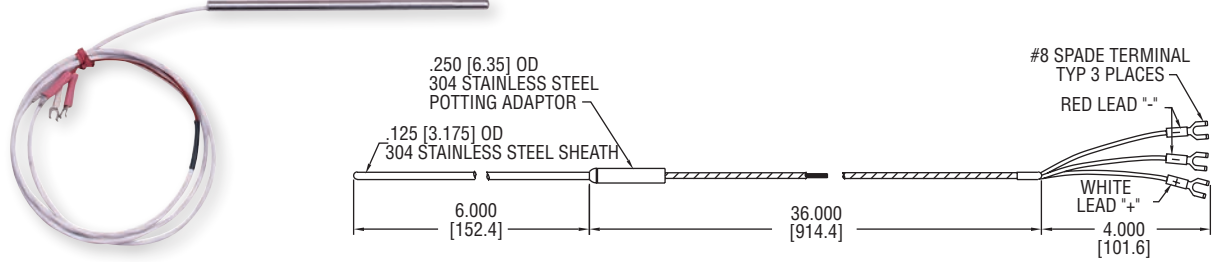


RESISTANCE TEMPERATURE DETECTOR

High Temperature, Mineral Insulated, 316 SS Sheath



Scan here to watch product video



Precision **SERIES RTD** (Resistance Temperature Detector) offers excellent accuracy and stability over a wide temperature range. Industry standard 3-wire 100 Ω (DIN) probes are available in 6" (15 cm), 12" (30.5 cm), or 18" (46 cm) sheath lengths with 30" (76 cm) extension cable and spade lug terminals.

APPLICATIONS

Air ducts, bearing temperature, oil temperature indicator, soldering equipment, ovens, environmental test chambers, pharmaceutical mfg., food processing, plastic molding, petroleum & chemical processing, electric generating plants, etc.

SPECIFICATIONS

Sensor Type: Wire wound, 100 Ω.
Temperature Range: -328 to 1202°F (-200 to 650°C).
Pressure Limits: 250 psig (17.2 bar).
Probe Material: 316 SS.
Extension Length: 30" (76 cm).
Standard: DIN .00385 (class B, 0.12%).

MODEL CHART

Model	Length	Diameter
RTD-686	6" (15 cm)	1/8"
RTD-646	6" (15 cm)	1/4"

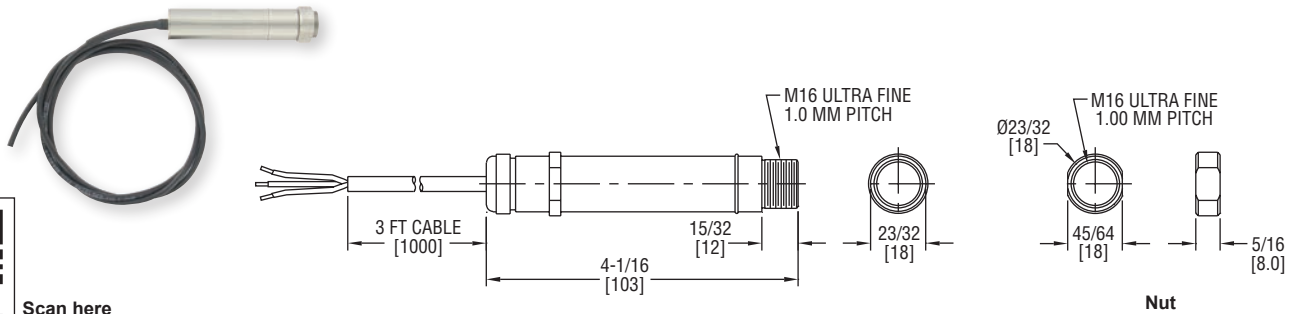


IN-LINE IR SENSOR

15:1 Distance-to-Target Ratio, 32 to 932°F



Scan here to watch product video



The **SERIES ILA** Non-Contact Sensors, measure temperatures from 32 to 932°F (0 to 500°C) and provide a linear 4 to 20 mA or thermocouple output. The 2-wire signal is compatible with almost any indicator, controller, recorder, data logger, etc., without the need for special interfacing or signal conditioning. They are suitable for most materials such as food, paper, textiles, plastics, leather, tobacco, pharmaceuticals, chemicals, rubber, coal, and asphalt.

FEATURES/BENEFITS

- Non-contact temperature measurement
- J type or 4 to 20 mA output signals

APPLICATIONS

- Industrial processes where non-contact temperature measurement is preferred

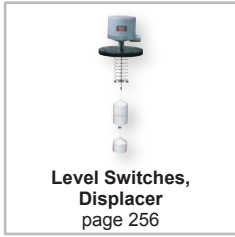
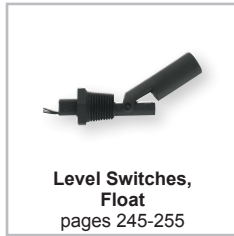
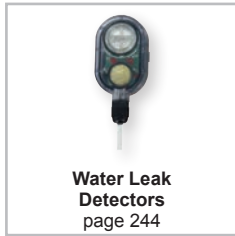
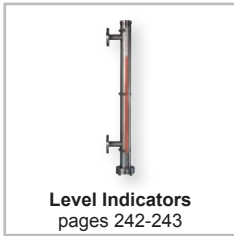
MODEL CHART

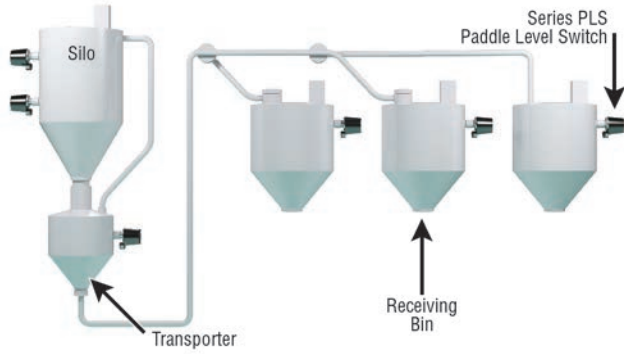
Model	Output
ILA10	J thermocouple
ILA20	4 to 20 mA

SPECIFICATIONS

Temperature Range: 32 to 932°F (0 to 500°C).
Accuracy: 1% of reading or 1°C whichever is greater.
Emissivity: 0.95 (fixed).
Distance to Target Size Ratio: 15:1.
Response Time: 240 ms.
Temperature Limits: Ambient: 32 to 158°F (0 to 70°C).
Power Requirement: 24 VDC.
Repeatability: 0.5% of reading or 0.5°C whichever is greater.
Outputs: 4 to 20 mA, J type thermocouple.
Cable Length: 3.3' (1 m).
Spectral Response: 8 to 14 microns.
Housing: SS.
Weight: 3.35 oz (95 g).
Agency Approvals: CE.

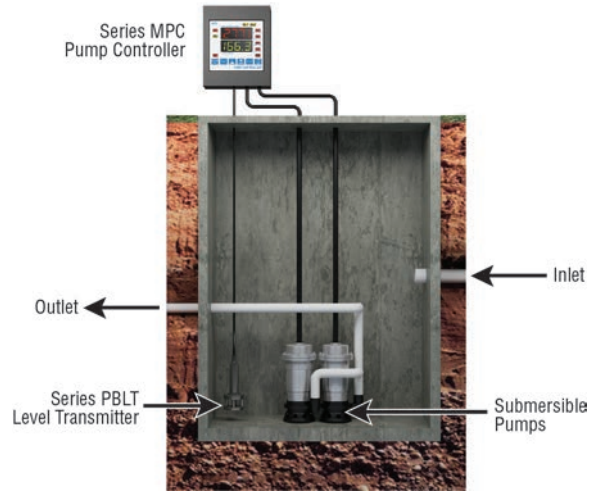
TYPICAL APPLICATIONS
pages 240-241





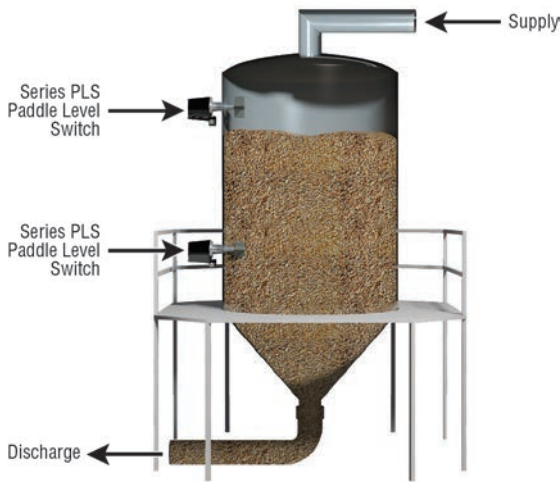
Proximity™ Series PLS is used to indicate level status in pneumatic conveying systems.

Pneumatic conveying systems use air to transport powder and dry bulk solids through conveying lines. The air is pressurized by positive pressure or vacuum to move the product through the lines into and out of silos, transporters, and receivers. Typical applications have high and low level indication in the storage bins to control the flow of product in or out. The PLS is perfect for level use in these storage bins. It has a rotating paddle that is inserted into the bin. As the product level builds up in the bin it stops the paddle from rotating and triggers the level output. The PLS is great for this application as it not affected by pressure changes in the bin.



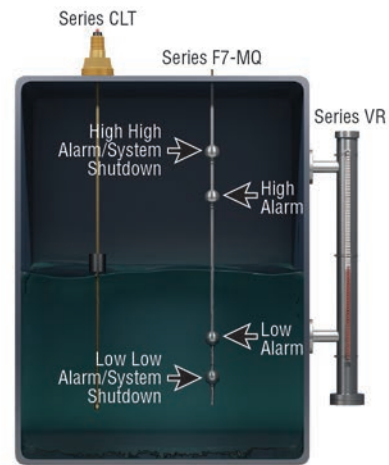
Mercoid® pump controller with level transmitter control pumps in wastewater lift stations.

Lift stations are used to transmit wastewater to the treatment facility. Wastewater is transmitted by gravity feed so it has to be continually elevated to provide height to generate the flow. Lift stations are pits located at points in the wastewater system to collect the wastewater that usually have two submersible pumps. Wastewater in the lift station is pumped out to a higher level from where it can flow on to the next lift station or to the treatment facility. The Mercoid® Series MPC pump controller is used with the Series PBLT level transmitter to control the level in the lift station. The PBLT is a level transmitter that is submersed in the tank and sends a linear output of the height of wastewater above it. The MPC takes the height input and controls the pumps according to how it has been programmed.



Grain hopper level controlled by Series PLS Paddle Level Switch.

The supply of grain pneumatically conveyed to this dispensing hopper is controlled by two Proximity™ Series PLS paddle level switches. When the grain level falls to the low limit switch, the supply is turned on until the hopper fills to the level of the high limit switch which turns off the supply. Since grain dust is explosive, the explosion-proof Series PLS provides the required safety protection. The PLS is a paddle level switch and is not affected by the varying pressure in the hopper due to the cycling of the pneumatic conveying system.



Custom level sensing devices are built to meet each customer's specific requirements, providing visual indication, continuous measurement, and point level control.

To meet various tank level measuring needs, Dwyer Instruments, Inc. offers custom-configured products built to customer specifications that provide visual indication, continuous level measurement, and multiple point level measurement. Series VR or MVR View-Rite Level Indicators are a safe way to keep the process isolated while providing true visible indication. Unlike sight glasses, which can crack or break, View-Rite Indicators contain liquids entirely within their stainless steel enclosure. For continuous level measurement needs, the Series CLT uses reed switch technology to offer a more economical solution than expensive ultrasonic, submersible or RT transmitters. Lastly, the Series F7-MQ can be used in virtually any tank to indicate high and low alarms or to control pumps and valves.

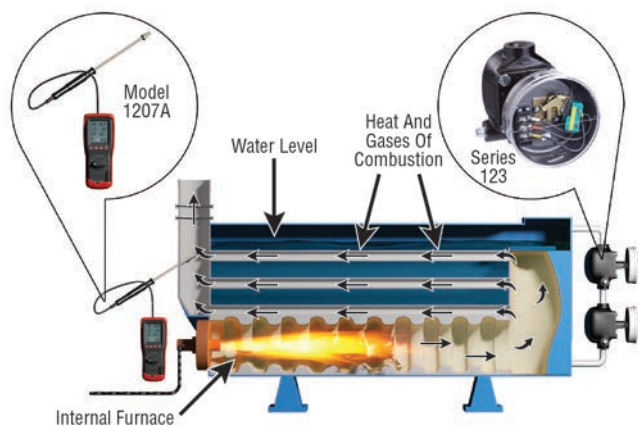
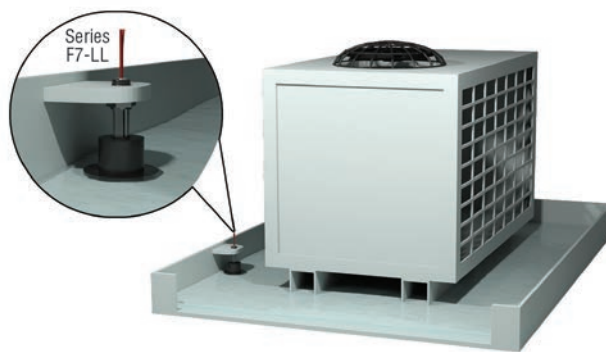


Mercoid® displacer type level control is ideal for controlling industrial sump pumps.

Industrial sumps and other underground tanks are ideal applications for top-mounted Mercoid® displacer type level controls. Easily installed, these controls use porcelain displacers that do not float on the surface of liquids, but are suspended on a coil spring and cable. As the liquid in the tank reaches the level of the upper displacers, their weight decreases by an amount equal to the liquid displaced, allowing the spring to move the cable upward, actuating the switch and the pump is turned on. As the liquid level falls below the upper displacers they move only a small amount, staying within the switch deadband until the liquid level falls to the center of the bottom displacer. At this point the switch is deactivated stopping the pump. The pump will remain deactivated until the water level rises to the upper displacers, repeating the cycle. The displacers are not affected by turbulence, pressure or chemicals and are excellent for tanks with viscous or dirty liquids. The level differential is easily adjusted by repositioning of the displacers on the 316SS cable.

Low level float switch enables sensing in air conditioner drip pans and other shallow level applications.

Standard float switches require at least an inch of liquid to attain enough buoyancy to switch. This can be a problem in applications where low level sensing is required. The hat-shaped design of W.E. Anderson's F7-LL provides necessary buoyancy for switching in only 5/8" of water. This is essential for air conditioner drip pans, low level sumps, and drains. The F7-LL is also ideal for low alarms, where running the process dry can result in catastrophic failure.



Mercoid® Model 123 level controls provide high and low alarm on large de-aerator tank.

Liquid level in the external piping equals level in the tank. When level rises to high limit, float in upper Model 123 is lifted, actuating switch to sound high level alarm. When level drops to low limit, lower Model 123 sounds low level alarm.

W.E. Anderson® Series OLS indicates level in heavy equipment radiator.

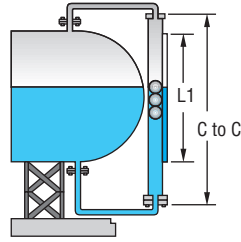
Many types of heavy industrial equipment use a liquid cooling system for the motor. A vibratory trench roller is a machine that compacts sub-bases for roads, parking lots, etc., and is an example of the type of equipment that would utilize this system. This machine incorporates a radiator cooling system. In the system, cooling liquid circulates through the engine preventing it from over heating. As the engine is cooled the cooling fluid heats up. The fluid returns to the radiator to cool down before being circulated through again. If there is not enough cooling fluid in the system the engine will not be cooled enough and damage will occur. A W.E. Anderson® Series OLS optical level switch is installed as a low level alarm. The level alarm is signaled by the OLS before the cooling fluid gets to a critical low level, warning the operator of the problem. The OLS uses an optical detection system superior for this application as float controls may trip from machine vibration. Also the compact insertion length is ideal for a small radiator.



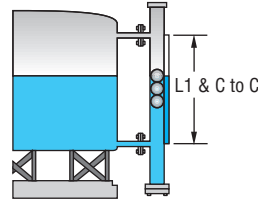


VIEW-RITE LEVEL INDICATOR

Customized to Fit Any Application, Durable, 316 SS Housing and Float



Top & Bottom



Side & Side

TYPICAL MEASUREMENTS

C to C = L1 + 10.25" (260.35 mm) | C to C = L1

The **SERIES VR** View-Rite Level Indicators provide customized level indication to meet a variety of application requirements. Specify any indication length up to 96" (244 cm) and the View-Rite level indicators incorporate a pressure tight housing with internal float that magnetically activates external level indication flags, switches, or transmitter.

FEATURES/BENEFITS

- Low maintenance with all 316 L SS wetted material
- Environmentally friendly with process liquid contained inside a pressure-tight housing
- Durable 316 L SS provides maintenance-free operation
- Requires no external power to operate
- Brightly colored flags are easy to read even at long distances

APPLICATIONS

- Pharmaceuticals
- Oil & gas
- Medical equipment
- Food and beverages
- Semiconductor manufacturing
- Boilers

SPECIFICATIONS

Service: Clean, low viscosity liquids.
Pressure Limits: 275 psi (18.9 bar), 225 psi (15.5 bar) @ 100°F (37.8°C), 215 psi (14.8 bar) @ 300°F (148.9°C), 195 psi (13.4 bar) @ 400°F (204.4°C).
Tube Diameter: 2-1/2" (64 mm).

MODEL CHART

Example	VR	-S	SS	1	-TP	D	-0.8	-150	-090	-080	P	1	-I	VR-SSS1-TPD-0.8-150-090-080P1-I
Construction	VR													View-rite level indicator
Wetted Materials		S												316 L SS, fluoroelastomer O-ring
Configuration			TB SS											Top/bottom connections Side/side connections
Process Connection				1 2 4 5 6 7										1/2" NPT (female on TB; male on SS configuration) 1" NPT (female on TB; male on SS configuration) 1" 150# RF flange 2" 150# RF flange 1" 300# RF flange 2" 300# RF flange
Float Access					TP BM TB									Top Bottom Top and bottom (only with SS configuration)
Drain and Vent						N D V B								None Drain, 1/2" female NPT (only with SS configuration) Vent, 1/2" female NPT (only with SS configuration) Drain and vent (only with SS configuration)
Specific Gravity							0.0							Specific gravity of fluid: Minimum is 0.8
Operating Pressure								000						Operating pressure in psi: Maximum is 275 psi (18.9 bar)
Operating Temperature									000					Operating temperature of fluid in °F: Maximum is 400°F (204°C)
Indicating Length, L1										000				Indicator length in whole inches: Maximum of 240" (6.1 m); Minimum of 6" (15.25 cm)
Indicating Flags											P A			Plastic, white and orange [300°F (149°C) maximum] Aluminum, silver and black
Visual Indicating Scale												N 1 2		None Feet and inches Inches only
Output Options												I V		4 to 20 mA transmitter of level [300°F (149°) maximum] 0 to 5 VDC transmitter of level

Note: Models are built to your specifications

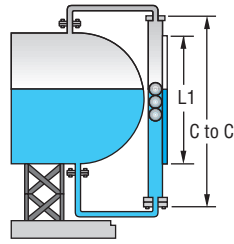
OPTIONAL SWITCH MODULES

Model	Description
VR-S1	Maximum temperature is 300°F (148.9°C). Polysulfone with 1/4" female NPT conduit connection.
VR-S2	Maximum temperature is 750°F (399°C). 316 SS with 1/2" male NPT conduit connection.
VR-S3	Maximum temperature is 750°F (399°C). Explosion-proof terminal box with 1/2" female NPT conduit connection.
Clamp onto the level indicator. SPST, rated .17 A @ 120 VAC, .08 A @ 240 VAC, .13 A @ 120 VDC, .06 A @ 240 VDC.	

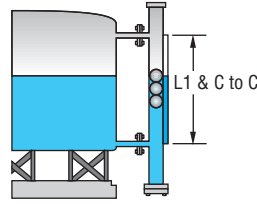


MINI VIEW-RITE LEVEL INDICATOR

Customized, Visual Level Indication, Compact Size



Top & Bottom



Side & Side

TYPICAL MEASUREMENTS	
C to C = L1 + 7.72" (196.09 mm)	C to C = L1

The **SERIES MVR** Mini View-Rite Level Indicators provide customized level indication to meet a variety of application requirements in a 1-1/4" (32 mm) housing. Specify any indication length up to 96" (244 cm) and the Mini View-Rite level indicators incorporate a pressure tight housing with internal float that magnetically activates external level indication flags, switches, or transmitter.

SPECIFICATIONS

Service: Clean, low viscosity liquids.
Pressure Limits: ≤300°F, 400 psi (27.6 bar); ≥ 300°F, 373 psi (25.7 bar).
Tube Diameter: 1-1/4" (32 mm).

FEATURES/BENEFITS

- Low maintenance with all 316 L SS wetted material
- Environmentally friendly with process liquid contained inside a pressure tight housing
- Durable 316 L SS provides maintenance-free operation
- Requires no external power to operate
- Brightly colored flags are easy to read even at long distances

APPLICATIONS

- Pharmaceuticals
- Medical equipment
- Food and beverages
- Semiconductor manufacturing
- Boilers

MODEL CHART														
Example	MVR	-S	SS	1	-TP	D	-0.8	-150	-090	-080	P	1	-I	MVR-SSS1-TPD-0.8-150-090-080P1-I
Construction	MVR													Mini view-rite level indicator
Wetted Materials		S												316 L SS housing, 316 L SS float, fluoroelastomer O-ring
Configuration			TB SS											Top/bottom connections Side/side connections
Process Connection				1 3										1/2" NPT (female on TB; male on SS configuration) 1/2" 150# RF flange
Float Access					TP BM TB									Top Bottom Top and bottom (only with SS configuration)
Drain and Vent						N D V B								None Drain, 1/2" female NPT (only with SS configuration) Vent, 1/2" female NPT (only with SS configuration) Drain and vent (only with SS configuration)
Specific Gravity							0.0							Specific gravity of fluid: Minimum is 0.8
Operating Pressure								000						Operating pressure in psi: Maximum is 400 psi (27.6 bar)
Operating Temperature									000					Operating temperature of fluid in °F: Maximum is 400°F (204°C)
Indicating Length, L1										000				Indicator length in whole inches: Maximum of 240" (6.1 m); Minimum of 6" (15.25 cm)
Indicating Flags											P A			Plastic, white and orange [300°F (149°C) maximum] Aluminum, silver and black
Visual Indicating Scale												N 1 2		None Feet and inches Inches only
Output Options												I V		4 to 20 mA transmitter of level [300°F (149°) maximum] 0 to 5 VDC transmitter of level

Note: Models are built to your specifications

OPTIONAL SWITCH MODULES	
Model	Description
MVR-S1	Maximum temperature is 300°F (148.9°C). Polysulfone with 1/4" female NPT conduit connection.
MVR-S2	Maximum temperature is 750°F (399°C). 316 SS with 1/2" male NPT conduit connection.
MVR-S3	Maximum temperature is 750°F (399°C). Explosion-proof terminal box with 1/2" female NPT conduit connection.
Clamp onto the level indicator. SPST, rated .17 A @ 120 VAC, .08 A @ 240 VAC, .13 A @ 120 VDC, .06 A @ 240 VDC.	

WATER LEAK DETECTOR

Battery or External Powered, SPST or DPDT Relays



Scan here to watch product video

The **SERIES WD3** Water Leak Detectors protect equipment from water damage by detecting the presence of water. Model WD3-BP-D1-A is battery powered, all other is requires AC or DC supply voltages.

FEATURES/BENEFITS

- Audible and visual alerts provide local indication of the alarm condition and internal switch will give remote indication or control to prevent further buildup of water
- Sensing height can be adjusted as low as 1/32" (0.79 mm) using the included adjustable mounting bracket
- Mounting bracket can attach to any flat surface by either using the attached adhesive strips or mounting screws for easy installation

APPLICATIONS

- AHU drip pans
- Radiant floors
- Data centers
- Sump pumps
- Drains

MODEL CHART

Model	Output	Power	Audible Alarm
WD3-BP-D1-A	SPST NO SSR	Battery	Yes
WD3-LP-D2	DPDT relay	11 to 27 VAC/DC	No
WD3-LP-D2-A	DPDT relay	11 to 27 VAC/DC	Yes

ACCESSORY

Model	Description
A-WD3-BRK	Replacement mounting bracket

SPECIFICATIONS

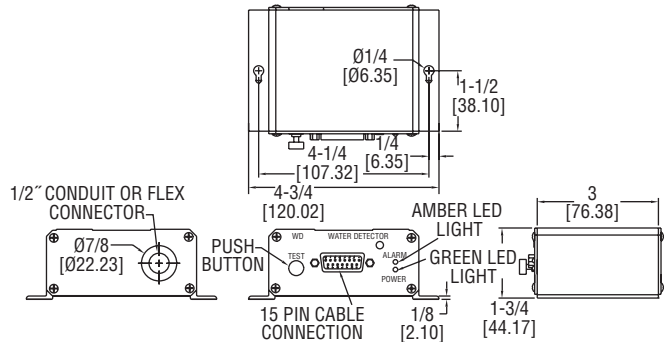
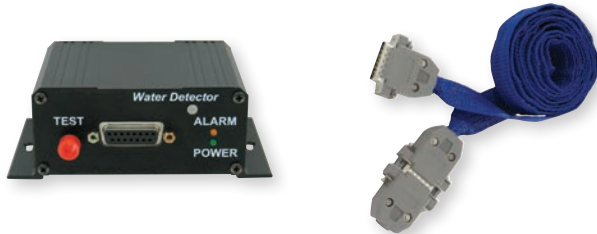
Service: Water or conductive fluids.
Minimum Sensing Gap: 1/32".
Switch Type: Battery powered model: SPST NO SSR; External powered models: DPDT relay.
Electrical Ratings: Battery powered model: Pilot duty rating 250 mA @ 24 VDC; External powered models: 1 A @ 24 VAC/DC.
Audible Alarm: At least 85 dB @ 1' distance (depends on model).
Visual Alarm: Red LED for water level; Yellow LED for low battery (battery powered model only); Green LED for power condition (external powered models only).
Temperature Limits: 32 to 122°F (0 to 50°C).
Power Requirements: Battery powered model: 3V CR2450 lithium metal battery, installed functional, user replaceable; External powered models: 24 VAC (±10%) or 11 to 27 VDC.

Power Consumption: Battery powered model: 0.9 mA steady state / 3.0 mA during alarm condition; External powered models: 30 mA steady state / 85 mA during alarm condition.
Battery Life: 5 years steady state / 48 hours during alarm condition.
Electrical Connections: 4.9' (1.5 m), 22 AWG, PVC, UL plenum rated cable.
Enclosure Material: ABS and polycarbonate with flammability classification UL 94 V-0.
Enclosure Rating: Audible alarm models: Watertight up to 3/4 of the body height; Non-audible alarm models: NEMA 6P (IP 68) submersible.
Weight: 4.85 oz (137.5 g).
Agency Approvals: CE, RoHS.

Water Leak Detectors

WATER DETECTOR AND SENSOR TAPE

Detects Low Levels Of Conductive Liquids



The **SERIES WD** Water Detectors and Sensor Tapes is designed for dependable detection of water presence even of low conductive liquids. The water sensing tape attaches to module and if any liquid comes in contact with the tape the resistance is changed and the alarm will be triggered. The sensing tape is 1" wide and can be bought in lengths of 5, 10, 15 and 25' and is powered by 24 VAC or 24 to 30 VDC.

FEATURES/BENEFITS

- Sturdy and reliable aluminum enclosure
- Hydrophobic tape does not absorb any liquid allowing for faster drying time and faster return to service after water leak
- Multiple tapes can be connected together to extend the coverage area

APPLICATIONS

- Drip pans under HVAC equipment
- Computer rooms
- Telecommunication facilities
- Leak detection around water pumps

SPECIFICATIONS

Service: Conductive liquid.
Switch Type: DPDT.
Electrical Rating: 1 A @ 24 VAC/VDC.
Power Requirements: 24 VAC, 24 to 30 VDC.
Power Consumption: 35 mA maximum.
Electrical Connections: Screw terminals.

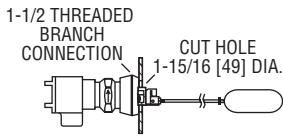
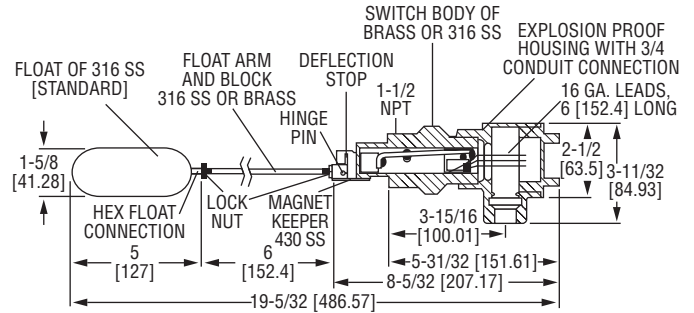
Conduit Connections: Hole for 1/2" conduit.
Enclosure: Extruded aluminum.
Sensor Tape: 1" (25.4 mm) wide and 5', 10', 15' or 25' long.
Weight: 8 oz (.23 kg).

MODEL CHART

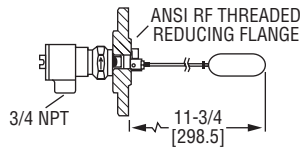
Model	Description
WD	Water module
TP05	5' (1.52 m) tape
TP10	10' (3.05 m) tape
TP15	15' (4.57 m) tape
TP25	25' (7.62 m) tape

FLOTECT® FLOAT SWITCH

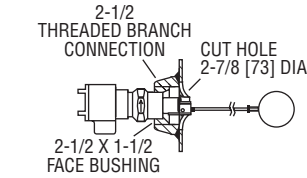
Magnetically Operated Switch, Leak Proof Body, Explosion-Proof



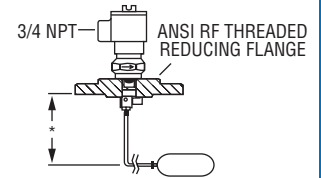
Standard Installation



Horizontal, Flange Installation



Horizontal, 2-1/2 Threaded Branch Connection Installation with Optional 2-1/2 [64] Spherical Float



Vertical, Flange Installation

*FLANGE FACE TO CENTERLINE OF FLOAT SPECIFIED BY CUSTOMER. NORMALLY SHOULD NOT EXCEED 20" [508 mm].



Scan here to watch product video

The **SERIES L4** FloTECT® Float Switches is a rugged and reliable float switch which operates automatically to indicate tank level.

FEATURES/BENEFITS

- Unique magnetically actuated switching design gives superior performance
- No bellows, springs, or seals to fail
- Free-swinging float attracts a magnet within the solid metal switch body, actuating a snap switch by means of a simple lever arm
- Float arm hinge design limits the arm angle to prevent vertical hang up

APPLICATIONS

- Direct pump control for maintaining level
- Automatic tank dump operations
- Level control
- Valve control
- Level alarm in sumps, scrubber systems, hydro-pneumatic tanks, boilers, and water/wastewater treatment processes

OPTIONS	
To order add suffix:	Description
-D	DPDT contacts
-MV	Gold plated contacts for dry circuits (see electrical rating in specifications, no listings or approvals)
-MT	High temperature rated 400°F (204°C) (see electrical rating in specifications, no listings or approvals)
-TRI	Time delay relay with 2 SPDT contacts, adjustable from 0-1 to 0-31 minutes (increasing flow)
-TRD	Time delay relay with 2 SPDT contacts, adjustable from 0-1 to 0-31 minutes (decreasing flow) (no listings or approvals)
-316	*316 SS magnet keeper option to replace standard 430 SS
-AT	ATEX compliant construction
-IEC	IECEx certified construction
-TOP	Top mounted for vertical flange installation [distance from flange face to centerline of float to be specified, 20" (508 mm) max]
-50	Optional float (2-1/2" spherical) 304 SS rated 50 psig (3.5 bar) and 0.5 min. s.g.
-150	Optional float (2-1/2" spherical) 316 SS rated 150 psig (10.3 bar) and 0.7 min. s.g.
-300	Optional float (2-1/2" spherical) 304 SS rated 300 psig (20.7 bar) and 0.7 min. s.g.
*316SS body and float with 430SS magnet keeper (wetted part).	
Consult factory for price and availability of fittings for L4 installation. Threaded branch connection, bushings, and flanges are available in a variety of sizes and materials.	

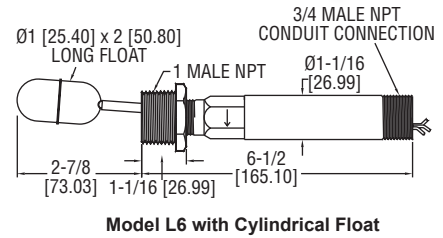
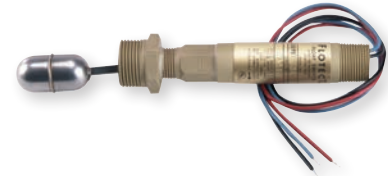
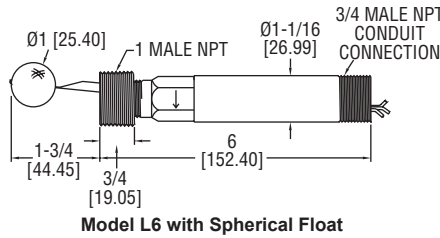
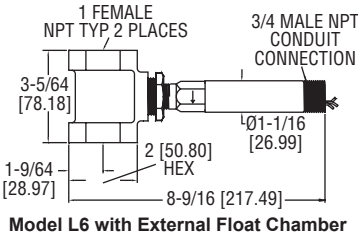
SPECIFICATIONS

Service: Liquids compatible with wetted materials.
Wetted Materials: Float and Rod: 316 SS; Body: Brass or 316 SS standard; Magnet Keeper: 430 SS standard, 316 SS or nickel optional.
Temperature Limits: 4 to 275°F (-20 to 135°C) standard, MT high temperature option 400°F (205°C) [MT option not UL, CSA, ATEX or IECEx]. ATEX and IECEx options: Ambient temperature -4 to 163°F (-20 to 73°C); Process temperature -4 to 163°F (-20 to 73°C).
Pressure Limit: Brass body 1000 psig (69 bar), 316 SS body 2000 psig (138 bar). Standard float rated 100 psig (6.9 bar). For other floats, see options.
Enclosure Rating: Weatherproof and Explosion-proof. **Listed with UL and CSA for Class I, Groups C and D; Class II, Groups E, F, and G. ATEX C 0344 Ex II 2 G Ex d IIB T6 Gb -20°C ≤ Tamb ≤ 73°C. -20°C ≤ Process Temp ≤ 73°C.
 EC-Type Certificate No.: KEMA 03 ATEX 2383.
 ATEX Standards: EN60079-0: 2009; EN60079-1: 2007.
 IECEx Certified: For Ex d IIB T6 Gb -20°C ≤ Tamb ≤ 73°C. -20°C ≤ Process Temp ≤ 73°C.
 IECEx Certificate of Conformity: IECEx DEK 11.0071.
 IECEx Standards: IEC 60079-0: 2007; IEC 60079-1: 2007.
Switch Type: SPDT snap switch standard, DPDT snap switch optional.
Electrical Rating: UL, FM, ATEX and IECEx models: 10 A @ 125/250 VAC (V~). CSA models: 5 A @ 125/250 VAC (V~); 5 A res., 3 A ind. @ 30 VDC (V---). MV option: 1 A @ 125 VAC (V~); 1 A res., .5 A ind. @ 30 VDC (V---). MT option: 5 A @ 125/250 VAC (V~). [MT and MV option not UL, CSA, FM, ATEX or IECEx].
Electrical Connections: UL and CSA models: 16 AWG, 6" (152 mm) long. ATEX and IECEx unit: terminal block.
Process Connection: 1-1/2" male NPT standard, 2-1/2" male NPT standard optional floats.
Mounting Orientation: Horizontal installation standard, optional vertical top mount.
Dead Band: 3/4" (19 mm) for standard float.
Specific Gravity: 0.7 minimum with standard float. For other floats see model chart.
Weight: 4 lb 9 oz (2.07 kg).
Agency Approvals: ATEX, CE, CSA, FM, IECEx, UL**.
 **No housing option (-NH) has no approvals.

MODEL CHART	
Model	Description
L4	Brass body, side wall mounting
L4-NH**	Brass body, side wall mounting, no housing
L4-SS	316SS* body, sidewall mounting
L4-SS-NH**	316SS* body, sidewall mounting, no housing
*316SS body and float with 430SS magnet keeper (wetted part). **No housing option (-NH) has no approvals.	

FLOTECT® LIQUID LEVEL SWITCH

Easy In-wall or External Installation, Up to 2000 psig (138 bar)



Scan here to watch product video

The **SERIES L6** FloTECT® Float Switches is a rugged and reliable float switch which operates automatically to indicate tank level. It is offered with a 303 SS or brass body with spherical or cylindrical float options.

FEATURES/BENEFITS

- Compact design is built for years of trouble-free service
- Simple and dependable operation with no mechanical linkage
- Float lever pivoted within the body moves when the process liquid displaces the float and magnet on the opposite end of the float lever controls a second magnet on the switch actuating lever located in the switch housing
- Leak proof lower body machined from bar stock
- Side wall or direct tee mounting options available to act as an external float chamber
- Weatherproof and explosion-proof body for demanding outdoor applications
- Electrical assembly can be easily replaced without removing the unit from the installation so that the process does not have to be shut down
- Sensitive to level changes of less than 1/2" (12 mm)

APPLICATIONS

- Direct pump control for maintaining level
- Automatic tank dump operations
- Level control
- Valve control
- Level alarm in sumps, scrubber systems, hydro-pneumatic tanks, boilers, and water/wastewater treatment processes

OPTIONS	
To order add suffix:	Description
-MV	Gold plated contacts for dry circuits (see electrical rating in specifications)
-MT	High temperature rated 400°F (204°C) (see electrical rating in specifications, no listings or approvals, only available on models with stainless steel floats)
-CSA	CSA and UL approved construction, includes weatherproof and explosion-proof junction box
-AT	ATEX compliant construction includes, weatherproof and explosion-proof, junction box
-IEC	IECEx certified construction
DPDT Contacts	
Note: To order, change seventh character in model number to "D". Example: L6EPB-B-D-3-O	
Options Not Shown: 1-1/2" and 2" male NPT process connection, 2" female NPT connection tee, and top mount.	

MODEL CHART					
Model	Body	Installation	Float Material	Max. Pressure psig (bar)	Min. S.G.
L6EPB-B-S-3-O	Brass	Side wall mounting	Polypropylene spherical	1000 (69)	0.9
L6EPB-B-S-3-A	Brass	Side wall mounting	304 SS cylindrical	200 (13.8)	0.5
L6EPB-B-S-3-C	Brass	Side wall mounting	304 SS spherical	350 (24.1)	0.7
L6EPB-B-S-3-B	Brass	Brass external float chamber (tee)	Polypropylene spherical	250 (17.2)	0.9
L6EPB-B-S-3-H	Brass	Brass external float chamber (tee)	304 SS spherical	250 (17.2)	0.7
L6EPS-S-S-3-O	303 SS	Side wall mounting	Polypropylene spherical	2000 (138)	0.9
L6EPS-S-S-3-A	303 SS	Side wall mounting	304 SS cylindrical	200 (13.8)	0.5
L6EPS-S-S-3-C	303 SS	Side wall mounting	304 SS spherical	350 (24.1)	0.7
L6EPS-S-S-3-S	303 SS	304 SS external float chamber (tee)	Polypropylene spherical	2000 (138)	0.9
L6EPS-S-S-3-L	303 SS	304 SS external float chamber (tee)	304 SS spherical	350 (24.1)	0.7

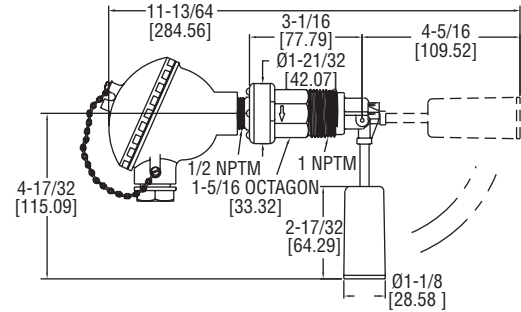
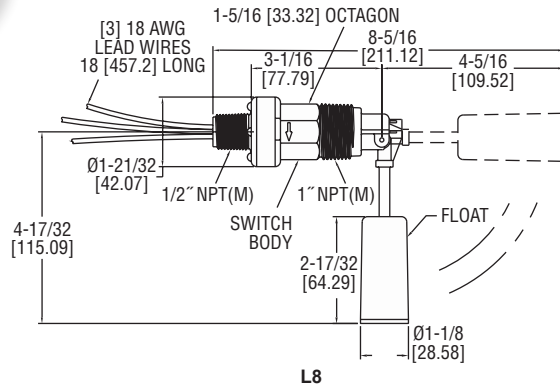
SPECIFICATIONS

Service: Liquids compatible with wetted materials.
Wetted Materials: Float: Solid polypropylene or 304 SS; Lower Body: Brass or 303 SS; Magnet: Ceramic; External Float Chamber (Tee): Matches lower body choice of brass or 303 SS; Other: Lever Arm, Spring, Pin, etc.: 301 SS.
Temperature Limit: -4 to 220°F (-20 to 105°C) Standard, MT high temperature option 400°F (205°C)(MT not UL, CSA, ATEX, IECEx and KC). ATEX compliant AT, IECEx IEC and KC option ambient temperature -4 to 167°F (-20 to 75°C) process temperature: -4 to 220°F (-20 to 105°C).
Pressure Limits: See model chart.
Enclosure Rating: Weatherproof and Explosion-proof. Listed with UL and CSA for Class I, Groups A, B, C and D; Class II, Groups E, F, and G. (Group A on stainless steel body models only).
 ATEX **CE** 0344 **Ex** II 2 G Ex d IIC T6 Gb Process Temp≤75°C.
 EC-Type Certificate No.: KEMA 04ATEX2128.
 ATEX Standards: EN 60079-0: 2009; EN60079-1: 2007.
 IECEx Certified: For Ex d IIC T6 Gb Process Temp≤ 75°C.
 IECEx Certificate of Conformity: IECEx DEK II.0039.
 IECEx Standards: IEC 60079-00: 2007; IEC 60079-1: 2007.
 Korean Certified (KC) for Ex d IIC T6 Gb Process Temp≤75°C.
 KTL Certificate Number: 2012-2454-75.
Switch Type: SPDT snap switch standard, DPDT snap switch optional.
Electrical Rating: UL models: 5 A @ 125/250 VAC (V~). CSA, ATEX and IECEx models: 5 A @ 125/250 VAC (V~); 5 A res., 3 A ind. @ 30 VDC (V---). MV option: .1 A @ 125 VAC (V~). MT option: 5 A @125/250 VAC (V~). [MT option not UL, CSA, ATEX or IECEx].
Electrical Connections: UL models: 18 AWG, 18" (460 mm) long. ATEX/CSA/IECEx models: terminal block.
Upper Body: Brass or 303 SS.
Conduit Connection: 3/4" male NPT standard, 3/4" female NPT on junction box models.
Process Connection: 1" male NPT on models without external float chamber, 1" female NPT on models with external float chamber.
Mounting Orientation: Horizontal with index arrow pointing down.
Specific Gravity: See chart.
Weight: Approximately 1 lb (.5 kg) without external float chamber, 1.75 lb (.8 kg) with external float chamber.
Agency Approvals: ATEX, CE, CSA, IECEx, KTL, UL.

Level Switches, Float

FLOTECT® LIQUID LEVEL SWITCH

Low Cost, Leak Proof Body, Excellent Chemical Resistance



L8

L8-WP2



Scan here to watch product video

The **MODEL L8** Flotect® Liquid Level Float Switches is a float switch constructed of polyphenylene sulfide, Ceramic 8 and 316 SS. This liquid level switch provides accurate set point control of liquids with specific gravities as low as 0.6.

FEATURES/BENEFITS

- Features a leak proof body and float constructed from tough, durable polyphenylene sulfide which has excellent chemical resistance
- Liquid level snap switch is magnetically actuated with no direct mechanical linkage to leak or fail, assuring longer life and decreased maintenance costs
- Quick and easy installation with simple placement of the unit in a horizontal position with the index arrow pointing down
- UL recognized as an industrial motor controller per UL standard 508, suitable for mounting in a protected environment

APPLICATIONS

- Environmental control
- Waste water
- Scrubber systems
- Holding tanks
- Cooling towers
- Chemical/petroleum processing
- Plating and washing tanks
- Sewage treatment
- Car washes
- Remediation systems
- Thermal storage systems
- HVAC and building automation systems

SPECIFICATIONS

Service: Compatible liquids.
Wetted Materials: Float and body: Polyphenylene sulfide (PPS); Pin and spring: 316 SS or Inconel®; Magnet: Ceramic 8.
Temperature Limit: 212°F (100°C).
Pressure Limit: 150 psig (10.34 bar).
Enclosure Rating: General purpose. WP/WP2 option is weatherproof.
Switch Type: SPDT snap switch. MV option is a SPDT gold contact snap switch.
Electrical Rating: 5 A @ 125/250 VAC, 5 A resistive, 3 A inductive @ 30 VDC. MV option: 1 A @ 125 VAC, 1 A resistive, 0.5 A inductive @ 30 VDC.
Electrical Connections: 18 AWG, 18" (460 mm) long.
Conduit Connection: 1/2" male NPT, 1/2" female NPT on WP and WP2.
Process Connection: 1" male NPT.
Mounting Orientation: Horizontal with index arrow pointing down.
Weight: 5 oz (0.142 kg).
Specific Gravity: 0.6 minimum.
Agency Approvals: CE, cURus.

MODEL CHART

Model	Description
L8	Level switch

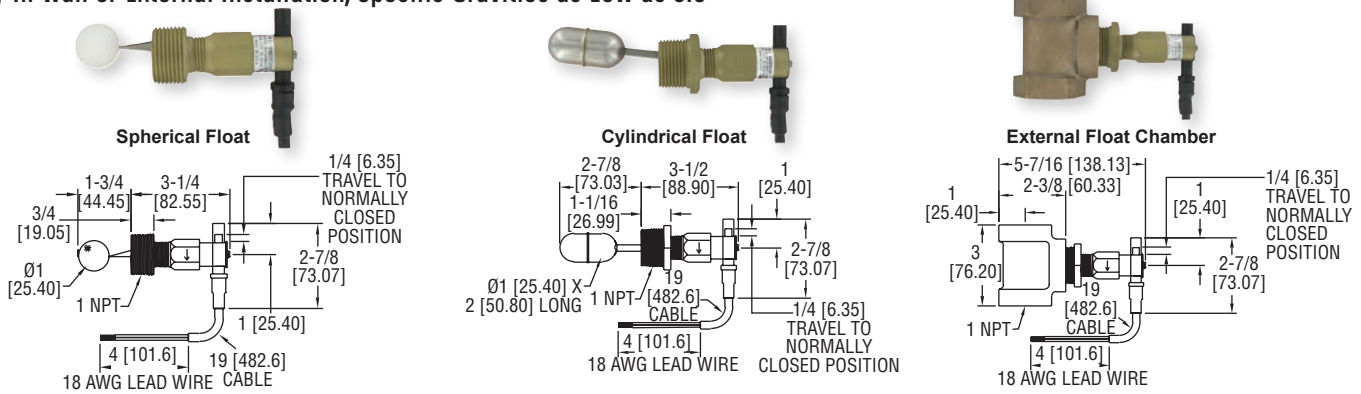
OPTIONS

To order add suffix:	Description
-MV	Gold plated contacts for dry circuits. Rated 1 A @ 125 VAC; 1 A resistive, 0.5 A inductive @ 30 VDC
Example: L8-MV	
-INC	Inconel® alloy. Inconel® alloy replaces standard 316 SS wetted parts. Wetted parts are Inconel® Alloy, Ceramic 8, and Polyphenylene Sulfide.
Example: L8-INC	
-WP	Weatherproof enclosure. Optional housing is phenylpolioxide and provides weatherproof protection for electrical wiring. (Not UL approved)
Example: L8-WP	
-WP2	Weatherproof enclosure. Optional housing is aluminum and provides weatherproof protection for electrical wiring. (Not UL approved)
Example: L8-WP2	

Inconel® is a registered trademark of Huntington Alloys Corporation

FLOTECT® MINI-SIZE LEVEL SWITCH

Easy In-wall or External Installation, Specific Gravities as Low as 0.5



The **SERIES L10** FloTECT® Mini-Size Float Switches is a series of economical, compact liquid level floats. It is offered in brass or 303 SS bodies and external tees as well as polypropylene or 304 SS floats with 1" NPT male threads, for direct side mounting through a half coupling, or with factory installed tee for external mounting. This series can be used in liquids with specific gravities as low as 0.5.

FEATURES/BENEFITS

- Hermetically sealed, magnetically actuated SPST reed switch which is encapsulated in a polypropylene housing
- Simple field switch adjustment allows user to toggle between normally open (NO) or normally closed (NC) with no change in the electrical connection
- Switch is easily replaced without affecting process installation for quick and low cost maintenance
- Combines low cost with top quality materials and construction for great value and years of reliable liquid level control

APPLICATIONS

- Direct pump control for maintaining level
- Automatic tank dump operations
- Level control
- Valve control

MODEL CHART - BRASS BODY

Model	Installation	Float Material	Max. Pressure psig (bar)	Min. S.G.
L10-B-3-O	Side wall mounting	Polypropylene spherical	1000 (69)	0.9
L10-B-3-A	Side wall mounting	304 SS cylindrical	200 (13.8)	0.5
L10-B-3-C	Side wall mounting	304 SS spherical	350 (24.1)	0.7
L10-B-3-B	Brass tee	Polypropylene spherical	250 (17.2)	0.9
L10-B-3-H	Brass tee	304 SS spherical	250 (17.2)	0.7

SPECIFICATIONS

Service: Compatible liquids.
Wetted Materials: Float: Solid polypropylene or 304 SS; Body: Brass or 303 SS; Magnet: Ceramic; External float chamber (tee): None, brass, or 304 SS; Other: Lever arm, pin, spring, etc.: 301 SS, 302 SS, 316 SS.
Temperature Limit: 200°F (93°C).
Pressure Limit: See chart.
Enclosure Rating: Weatherproof, meets NEMA 4X (IP66).
Switch Type: SPST hermetically sealed reed switch. Field adjustable for NO or NC.
Electrical Rating: 1.5 A @ 24 VDC res., 0.001 A @ 200 VDC res., 0.5 A @ 125 VAC.
Electrical Connections: 18 AWG, 19" (483 mm) long, PVC jacket. Rated 221°F (105°C).
Process Connection: 1" male NPT standard on models without external float chamber. Change 3 in model number to 4 for 1-1/4", to 5 for 1-1/2", or 6 for 2". 1" female NPT on models with external float chamber.
Mounting Orientation: Horizontal with index arrow pointing down.
Specific Gravity: See chart.
Switch Enclosure: Nylon.
Weight: Approximately 10 oz (0.283 kg) without external float chamber, 2.32 lb (1.05 kg) with external float chamber.
Agency Approvals: CSA, UR.

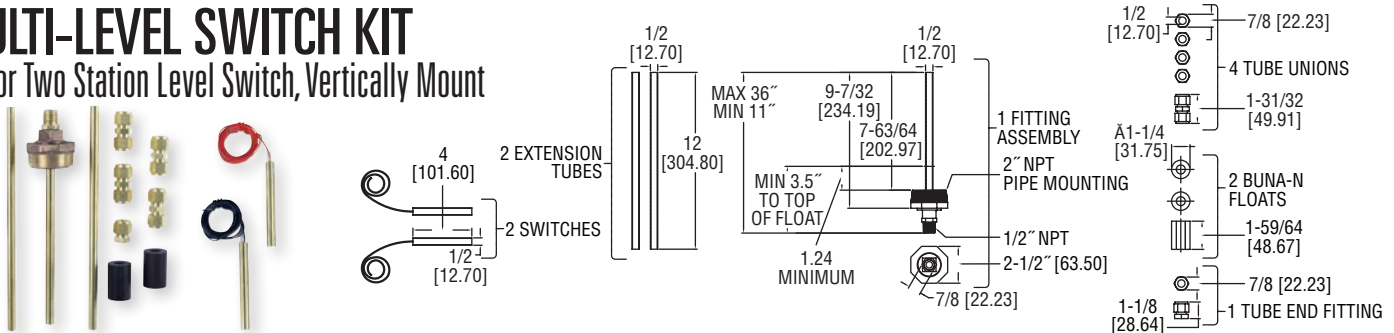
MODEL CHART - 303 SS BODY

Model	Installation	Float Material	Max. Pressure psig (bar)	Min. S.G.
L10-S-3-O	Side wall mounting	Polypropylene spherical	2000 (137.8)	0.9
L10-S-3-A	Side wall mounting	304 SS cylindrical	200 (13.8)	0.5
L10-S-3-C	Side wall mounting	304 SS spherical	350 (24.1)	0.7
L10-S-3-S	304 SS tee	Polypropylene spherical	2000 (137.8)	0.9
L10-S-3-L	304 SS tee	304 SS spherical	350 (24.1)	0.7

Level Switches, Float

MULTI-LEVEL SWITCH KIT

One or Two Station Level Switch, Vertically Mount



The **MODEL F7-MLK** Multi-Level Switch Kit provides a customized level system to suit specific application requirements. The F7-MLK Multi-Level Switch Kit contains all the components necessary for the design and fabrication of a 1 or 2 station level switch for pipe plug mounting.

FEATURES/BENEFITS

- Customize stem length (maximum: 36"; minimum: 11"), actuation point, distance between floats, and lead wire lengths
- Includes two level stations (switch, tube, and Buna-N float), two brass extension tubes 12" length, four brass tube unions, one end fitting, and one mounting plug

APPLICATIONS

- General purpose level monitoring
- Low specific gravity applications
- Gas and oil

MODEL CHART

Model	Description
F7-MLK	Multi-level switch kit

Note: 316 SS version also available, please see F7-MLK2 on Dwyer website.

SPECIFICATIONS

Service: Compatible liquids.
Wetted Materials (Float/Stem): Buna-N/Brass.
Temperature Limits: 221°F (105°C).
Pressure Limits: 150 psig (10 bar).
Switch Type: SPST, normally open or normally closed.
Electrical Rating: 60 Watts: 0.4 A @ 220 VAC, 0.5 A @ 110 VAC, 0.2 A @ 120 VDC, 0.5 A @ 24 VDC.
Electrical Connections: 22 AWG x 72" (183 cm) leads.
Process Connection: 2" male NPT pipe plug.
Mounting Orientation: Up to 30° angle from vertical.
Stem Length: 36" (91 cm) maximum; 11" (27.94 cm) minimum.
Tube/Fitting Size: 1/2" OD.
Minimum Specific Gravity: 0.45.
Weight: 3.5 lb (1.6 kg).
Note: Top floats 3.5" (8.89 cm) minimum distance.

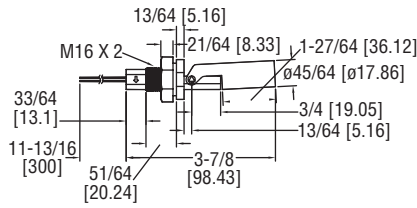
LEVEL SWITCHES - HORIZONTAL/SPECIALTY

Low Cost, Hermetically Sealed Contacts

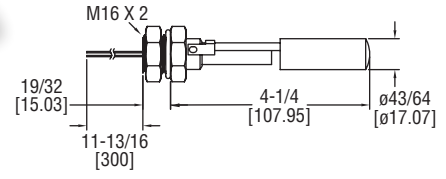
HORIZONTAL



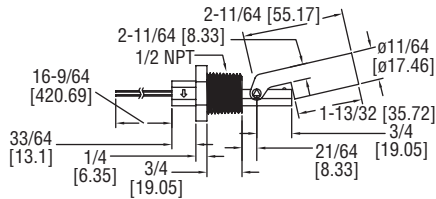
F6-HPS-11



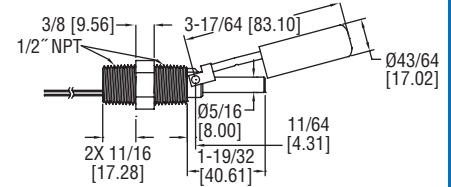
F6-MHS



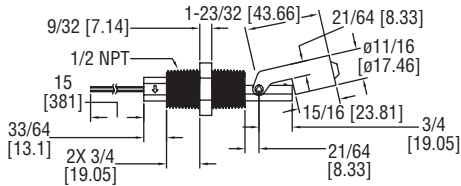
F6-HPS-21



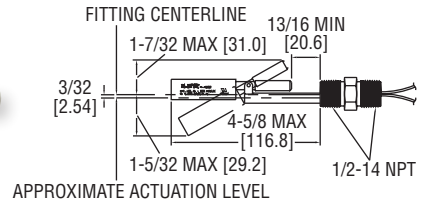
F6-MHS2



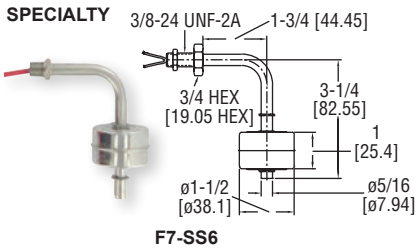
F6-HPS-31



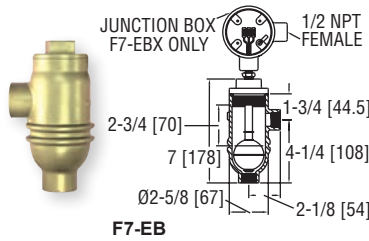
F6-HSS



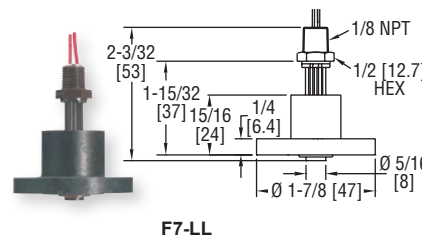
SPECIALTY



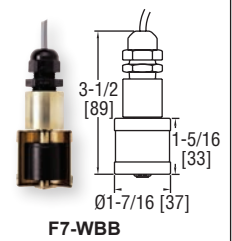
F7-SS6



F7-EB



F7-LL



F7-WBB

The **SERIES F6 & F7** Horizontal and Specialty Float Switches are designed to mount through the walls of tanks or other vessels and unique applications to provide point level indication.

FEATURES/BENEFITS

- Hermetically sealed reed switches are actuated by magnets permanently bonded inside the float arm and can be easily adapted to open or close a circuit on rising or falling levels

APPLICATIONS

- Water level monitoring
- Oil level control
- Chemical level indication
- Sumps
- Stand pipes
- Tank level control

MODEL CHART									
Model	Applications	Material Float/Stem	Temperature Limits	Pressure Limits	Min. S.G.	Electrical Rating	Wire Leads	Mtg	Weight oz (g)
F6-HPS-11	Water, oils, chemicals	Polypropylene/polypropylene	176°F (80°C)	116 psig (8 bar)	0.60	20 VA: 0.08 A @ 240 VAC	20 AWG, 11.8" (30 cm)	M16 x 2	1.23 (38)
F6-HPS-21	Water, oils, chemicals	Polypropylene/polypropylene	176°F (80°C)	116 psig (8 bar)	0.60	20 VA: 0.08 A @ 240 VAC	20 AWG, 11.8" (30 cm)	1/2" NPT	1.23 (38)
F6-HPS-31	Water, oils, chemicals	Polypropylene/polypropylene	176°F (80°C)	116 psig (8 bar)	0.60	20 VA: 0.08 A @ 240 VAC	20 AWG, 11.8" (30 cm)	1/2" NPT	1.41 (40)
F6-MHS	Corrosives	304 SS/304 SS	257°F (125°C)	218 psig (15 bar)	0.85	20 VA: 0.08 A @ 240 VAC	22 AWG, 11.8" (30 cm)	M16 x 2	3.35 (95)
F6-MHS2	Water, oils, chemicals	304 SS/304 SS	257°F (125°C)	363 psig (25 bar)	0.85	70 VA: 0.7 A @ 250 VAC	22 AWG, 11.8" (30 cm)	1/2" NPT	4.8 (136)
F7-HSS†	High temp/pressure, corrosive, expl.	316 SS/316 SS	392°F (200°C)	300 psig (20.7 bar)	0.60	30 VA: 0.14 A @ 220 VAC	22 AWG, 24" (61 cm)	1/2" NPT (int/ext)	3 (94)
Model	Style/Applications	Material Float/Stem	Temperature Limits	Pressure Limits	Min. S.G.	Electrical Rating	Wire Leads	Mtg	Weight oz (g)
F7-SS6	Bent stem/liquids with metal particles	316 SS/316 SS	300°F (149°C)	100 psig (7 bar)	0.70	20 VA: 0.08 A @ 220 VAC N.O. operation	22 AWG, 24" (61 cm)	3/8"-24" UNF-2A	2 (58)
F7-SS6B	Bent stem/liquids with metal particles	316 SS/316 SS	300°F (149°C)	100 psig (7 bar)	0.70	20 VA: 0.08 A @ 220 VAC N.C. operation	22 AWG, 24" (61 cm)	3/8"-24" UNF-2A	2 (58)
F7-EB‡**	Non-intrusive bottle type/ Outside tank mounting	Brass/316 SS (Brass housing)	300°F (149°C)	500 psig (34 bar)	0.75	20 VA: 0.08 A @ 240 VAC	18 AWG, 24" (61 cm)	3/4" NPT female	5 lb 5 oz (2.4 kg)
F7-LL	Vertical/detect levels as low as 5/8"	Polysulfone/ Buna-N	180°F (82°C)	50 psig (3 bar)	-	20 VA: 0.08 A @ 240 VAC	22 AWG, 72" (182 cm)	1/8" NPT male	2 (58)
F7-WBB	25' cable, slosh shield/ Sumps, stand pipes	Brass/Buna-N	180°F (82°C)	150 psig (10 bar)	0.45	20 VA: 0.08 A @ 240 VAC	22 AWG, 25" (7.6 m)	-	10.8 (310)

† F7-HSS is rated explosion-proof for Class I, Groups A, B, C, D; Class II, Groups E, F, G; Class III.

‡ Explosion proof model available with DPDT switch. **Example:** F7-EBX

** Model available with normally closed switch. **Example:** F7-EBNC

LEVEL SWITCHES - VERTICAL

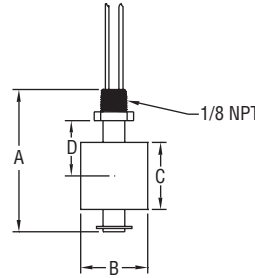
Low Cost, Reliable and Compact, Hermetically Sealed Contacts



F7-SB



F7-ST713



DIMENSIONS in Inches (mm)				
Model	(A) Stem Length	(B) Float Diameter	(C) Float Height	(D) Actuation from Hex [Ⓢ]
F7-SB	2.75 (70)	1.38 (35)	1.13 (29)	1.2 (31)
F7-SS2	2.06 (52)	1.0 (25)	1.0 (25)	0.73 (19)
F6-SS	2.17 (55)	1.11 (28)	1.11 (28)	—
F7-MPP	1.63 (41)	0.63 (16)	0.63 (16)	0.47 (12)
F7-PP	2.18 (55)	1.18 (30)	1.0 (25)	0.69 (18)
F7-BT	2.18 (55)	1.18 (30)	1.0 (25)	0.69 (18)
F7-K	2.13 (54)	1.0 (25)	1.0 (25)	0.65 (17)
F7-C11	2.06 (52)	1.0 (25)	1.0 (25)	0.56 (14)
F7-C21	2.06 (24)	1.0 (25)	1.0 (25)	0.56 (14)
F7-PVC	3.44 (87)	1.5 (38)	1.81 (46)	0.75 (19)
F7-T1	3.47 (88)	2.13 (54)	1.94 (49)	0.92 (22)
F7-ST713	3.38 (86)	2.06 (52)	2.06 (52)	1.09 (28)
F7-ST714	3.38 (86)	2.06 (52)	2.06 (52)	1.09 (28)

[Ⓢ]Distance between hex and liquid (S.G. = 1.0) level at actuation point will vary with specific gravity changes.

The **SERIES F6 & F7** Vertical Float Switches are designed to be mounted at the maximum or minimum level point to provide level indication and control. Models are shipped with normally open switch contacts which close as the float rises toward the mounting threads.

FEATURES/BENEFITS

- Combine low cost and reliability with fast, simple installation
- Hermetically sealed reed switches are actuated by magnets permanently bonded inside the float and can be easily adapted to open or close a circuit on rising or falling levels
- Easily reverse switch action by removing the float, rotating it end-for-end and replacing it on the stem
- Vertical models mount internally, oriented within 30° of vertical, or select optional fittings for external mounting
- Switch ratings are suitable for many solid state control systems and monitors or alarms
- Simple relay interfaces can be used for higher current applications

APPLICATIONS

- Water level monitoring
- Oil level control
- Chemical level indication
- Sumps
- Stand pipes
- Tank level control
- High viscosity liquids

ACCESSORIES - FOR EXTERNAL MOUNTING OF VERTICAL MODELS

Model	Description
A-347	1/8" x 1-1/4" NPT carbon steel adapter
A-347-SS	1/8" x 1-1/4" NPT 316 SS adapter
A-348	1/8" x 1-1/2" NPT carbon steel adapter

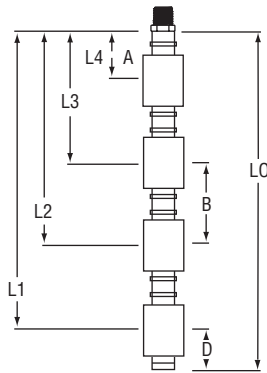
Level Switches, Float

MODEL CHART									
Model	Applications	Material Float/Stem	Temp. Limits	Pressure Limits	Min. S.G.	Electrical Rating	Wire Leads	Mtg NPT (M)	Weight oz (g)
F7-SB*	General purpose	Buna-N & epoxy/ 316 SS	220°F (105°C)	150 psig 10 bar	0.60	25 VA: 1 A @ 220 VAC	22 AWG 18" (45 cm)	1/8"	2 (58)
F7-SS2*	High temp/pressure, corrosives	316 SS (CYC)/ 316 SS	300°F (149°C)	450 psig 31 bar	0.75	25 VA: 1 A @ 200 VAC	22 AWG 18" (45 cm)	1/8"	1.2 (34)
F6-SS	Corrosives	316 SS/ 316 SS	257°F (125°C)	218 psig 15 bar	0.65	20 VA: 0.08 A @ 240 VAC	20 AWG 11.8" (30 cm)	1/8"	1.59 (45)
F7-MPP**	Broad chemical compatibility	Polypropylene/ polypropylene	180°F (82°C)	100 psig 6.89 bar	0.90	10 VA: 0.1 A @ 100 VAC	22 AWG 24" (61 cm)	1/8"	0.8 (23)
F7-MPP-NO**	Broad chemical compatibility	Polypropylene/ polypropylene	176°F (80°C)	100 psig 6.89 bar	0.90	50 VA: 0.2 A @ 240 VAC	22 AWG 24" (61 cm)	1/8"	0.8 (23)
F7-PP*	Broad chemical compatibility	Polypropylene & epoxy/polypropylene	220°F (105°C)	100 psig 6.89 bar	0.60	30 VA: 0.14 A @ 220 VAC	22 AWG 24" (61 cm)	1/8"	0.8 (23)
F7-BT*	Oils & fuels	Buna-N & epoxy/ PBT***	220°F (105°C)	150 psig 10 bar	0.45	30 VA: 0.14 A @ 220 VAC	22 AWG 24" (61 cm)	1/8"	0.7 (20)
F7-K*	Food/beverage, corrosives	PVDF/ PVDF	180°F (82°C)	100 psig 6.89 bar	1.00	50 VA: 0.25 A @ 150 VAC	22 AWG 24" (61 cm)	1/8"	1.5 (43)
F7-C11	General purpose	Buna-N/ brass	180°F (82°C)	150 psig 10 bar	0.45	20 VA: 0.08 A @ 240 VAC	22 AWG 24" (61 cm)	1/8"	1.5 (43)
F7-C21*	Oils & water, general purpose	Buna-N/ 316 SS	180°F (82°C)	150 psig 10 bar	0.45	20 VA: 0.08 A @ 240 VAC	22 AWG 24" (61 cm)	1/8"	1.5 (43)
F7-PVC	Chemical & plating	CPVC/ CPVC	180°F (82°C)	15 psig 1 bar	0.85	20 VA: 0.08 A @ 240 VAC	22 AWG 24" (61 cm)	1/4"	5 (140)
F7-T1	Viscous, sticky or corrosive liquids	PTFE/ TFE	300°F (149°C)	30 psig 2 bar	0.80	20 VA: 0.08 A @ 240 VAC	22 AWG 24" (61 cm)	1/4"	6 (170)
F7-ST713	Oils, water & chemicals	316 SS/ 316 SS	300°F (149°C)	750 psig 52 bar	0.80	20 VA: 0.08 A @ 240 VAC	22 AWG 24" (61 cm)	1/4"	6 (170)

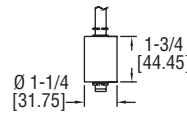
*UL listed **F7-MPP is normally closed/F7-MPP-NO is normally open ***PBT-Polybutylene terephthalate

QUICK-SHIP MULTI-STATION LEVEL SWITCH

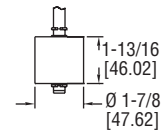
Fast Delivery, Customized, Up to Four Actuation Levels



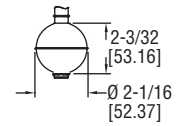
ACTUATION LEVELS		
A	B	D
1-1/2" (38.10 mm)	3" (76.20 mm)	2" (50.80 mm)
Each switching point requires one float.		
A=Minimum distance from actuation point to bottom of mounting		
B=Minimum distance between actuation levels		
D=Minimum distance from end of unit to lowest actuation point		



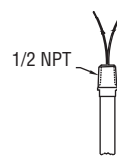
F1 Float Dimensions



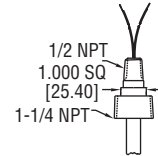
F2 Float Dimensions



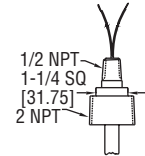
F3 Float Dimensions



Type 1 Mounting Dimensions



Type 2 Mounting Dimensions



Type 3 Mounting Dimensions

The **SERIES F7-MQ** Quick-Ship Multi-Station Level Switches provides a customized level switch to meet application requirements. Switches can be configured with up to four different control points and stem lengths up to 72" (1.82 m). Stems and floats are available in 316 SS or brass, SPST or SPDT switches, and choice of mountings.

FEATURES/BENEFITS

- Customized level indication quickly and affordably
- Rugged construction with multiple options yielding exceptional versatility
- Capable of supporting larger, more buoyant floats
- Durable construction asserts long reliability in contaminated or turbulent media

APPLICATIONS

- Water level monitoring
- Oil level control
- Tank level control
- Diesel level monitoring

SPECIFICATIONS

Service: Compatible liquids.
Temperature Limits: F1 and F2 with water: 0 to 180°F (-18 to 82°C); Oil: -40 to 230°F (-40 to 110°C); F3: -40 to 300°F (-40 to 149°C).
Electrical Connections: 24" (61 cm) free leads; #22 AWG TFE and #18 AWG polymeric.
Mounting Orientation: Vertical ±30°.

MODEL CHART

Example	F7-MQ	B	1	-4	F3	3	-07.00	-11.00	-15.00	-20.00	-24.00	J	F7-MQB1-4F33-07.00-11.00-15.00-20.00-24.00-J
Construction	F7-MQ												Multi-station level, 1 to 4 switch points
Stem & Connection Material		B S											Brass with beryllium copper stops 316SS with SS ARMCO PH-15-7MO stops
Connection Type			1 2 3										1/2" NPT (float F2, F3 only) 1-1/4" NPT (float F1 only) 2" NPT (float F2, F3 only)
Switch Points				#									Put 1 to 4 for the number of switch points desired
Float Type					F1 F2 F3								Material Buna-N 0.75 Buna-N 0.55 316SS 0.75 Min. s.g. Max. Pressure 150 psi (10.3 bar) 150 psi (10.3 bar) 750 psi (51.7 bar)
Switch Type*					1 3								SPST, .17 A @ 120 VAC, .08 A @ 240 VAC, .13 A @ 120 VDC, .06 A @ 240 VDC SPDT, .17 A @ 120 VAC, .08 A @ 240 VAC, .13 A @ 120 VDC, .06 A @ 240 VDC
Set Point Distance, L4†							00.00						In inches referenced from bottom of process connection
Set Point Distance, L3†								00.00					In inches referenced from bottom of process connection
Set Point Distance, L2†									00.00				In inches referenced from bottom of process connection
Set Point Distance, L1†										00.00			In inches referenced from bottom of process connection
Overall Length, L0												00.00	Min. length is L1+D; Max. length with connection length is 72" (1.82 m)
Options												J	Junction box for wire leads, NEMA 4 (not available with connection type 1)

NO switch is standard. For NC place an "" after the corresponding set point distance in the model number.

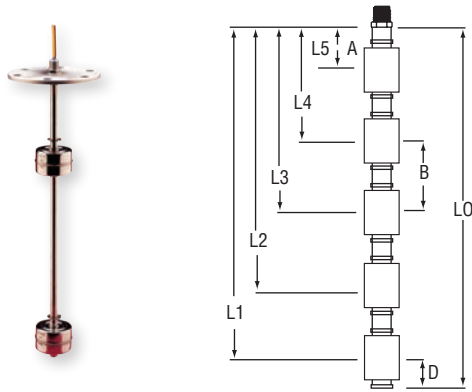
†No numbers needed beyond the number of switches specified.

Note: Models are built to your specifications



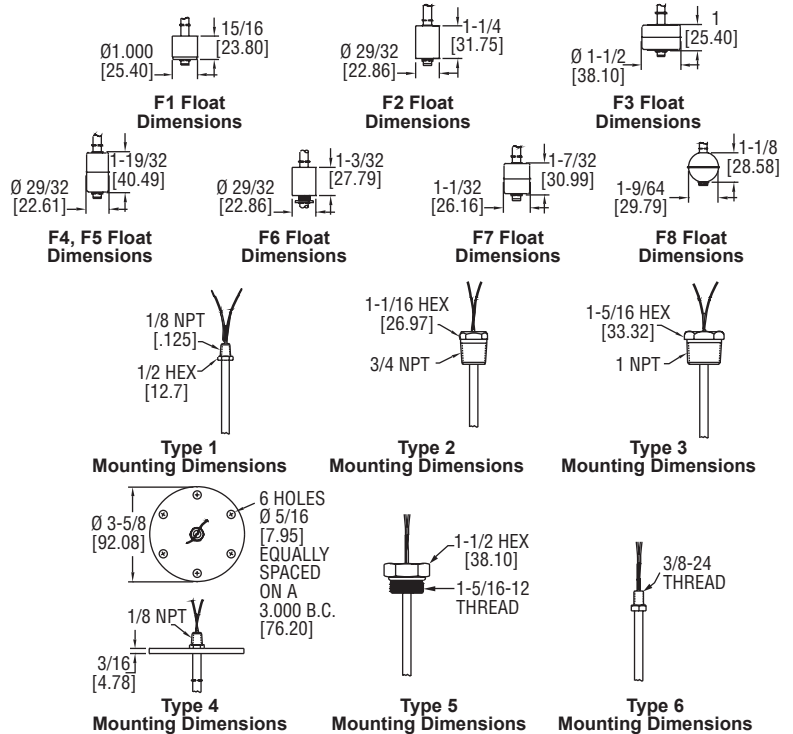
MINIATURE MULTI-STATION LEVEL SWITCH

Custom, Lightweight, Low Cost, 316 SS or Buna-N Floats



ACTUATION LEVELS			
Float Type	A	B	D
F1	7/8"	1-3/4"	3/4"
F2	3/4"	1-7/8"	1-1/16"
F3	3/4"	1-13/16"	15/16"
F4	13/16"	2-7/16"	1-7/16"
F5	9/16"	2-7/16"	1-3/4"
F6	15/16"	1-7/8"	7/8" (NO); 1-3/16" (NC)
F7	13/16"	2"	1-1/8"
F8	3/4"	1-7/8"	1-1/16"

Each switching point requires one float.
 A=Minimum distance from actuation point to bottom of mounting
 B=Minimum distance between actuation levels
 D=Minimum distance from end of unit to lowest actuation point



The **SERIES F7-MM** Miniature Multi-Station Level Switches provides a customized level switch to meet application requirements in a miniature size. Control up to five different level points across a maximum length of 48" (121 cm). Stems and mounting fixtures are available in 316 SS or brass.

FEATURES/BENEFITS

- Customized miniature level indication in a compact, lightweight design ideal for tanks less than 4' (1.2 m) deep
- Rugged construction with multiple options yielding exceptional versatility
- Miniature custom level switches are sturdy, compact and lightweight yet still rugged and durable

APPLICATIONS

- Water level monitoring
- Oil level control
- Tank level control
- Diesel level monitoring

MODEL CHART																																								
Example	F7-MM	B	1	-5	F1	1	-03.00	-07.00	-11.00	-15.00	-20.00	-25.00	F7-MMB1-5F11-03.00-07.00-11.00-15.00-20.00-25.00																											
Construction	F7-MM												Multi-station level, 1 to 5 switch points																											
Stem & Connection Material		B S											Brass with beryllium copper stops 316SS with SS ARMCO PH-15-7MO stops																											
Connection Type			1 2 3 4 5 6										1/8" NPT 3/4" NPT (cannot be used with float F1, F3, F7 and F8) 1" NPT (cannot be used with float F3) 3-5/8" flange [maximum pressure is 50 psi (3.45 bar)] 1-5/16-12UNF-2A (cannot be used with float F3) 3/8-24																											
Switch Points				#									Put 1 to 5 for the number of switch points desired																											
Float Type					F1 F2 F3 F4 F5 F6 F7 F8								<table border="1"> <thead> <tr> <th>Material</th> <th>Min. s.g.</th> <th>Max. Pressure</th> </tr> </thead> <tbody> <tr> <td>Buna-N</td> <td>0.45</td> <td>300 psi (20.68 bar)</td> </tr> <tr> <td>Buna-N</td> <td>0.60</td> <td>250 psi (17.24 bar)</td> </tr> <tr> <td>316SS</td> <td>0.70</td> <td>100 psi (6.89 bar)</td> </tr> <tr> <td>316SS</td> <td>0.85</td> <td>150 psi (10.34 bar)</td> </tr> <tr> <td>316SS</td> <td>1.10</td> <td>400 psi (27.58 bar)</td> </tr> <tr> <td>PTFE</td> <td>0.65</td> <td>1000 psi (68.95 bar)</td> </tr> <tr> <td>316SS</td> <td>0.85</td> <td>275 psi (18.96 bar)</td> </tr> <tr> <td>316SS</td> <td>0.90</td> <td>600 psi (41.37 bar)</td> </tr> </tbody> </table>	Material	Min. s.g.	Max. Pressure	Buna-N	0.45	300 psi (20.68 bar)	Buna-N	0.60	250 psi (17.24 bar)	316SS	0.70	100 psi (6.89 bar)	316SS	0.85	150 psi (10.34 bar)	316SS	1.10	400 psi (27.58 bar)	PTFE	0.65	1000 psi (68.95 bar)	316SS	0.85	275 psi (18.96 bar)	316SS	0.90	600 psi (41.37 bar)
Material	Min. s.g.	Max. Pressure																																						
Buna-N	0.45	300 psi (20.68 bar)																																						
Buna-N	0.60	250 psi (17.24 bar)																																						
316SS	0.70	100 psi (6.89 bar)																																						
316SS	0.85	150 psi (10.34 bar)																																						
316SS	1.10	400 psi (27.58 bar)																																						
PTFE	0.65	1000 psi (68.95 bar)																																						
316SS	0.85	275 psi (18.96 bar)																																						
316SS	0.90	600 psi (41.37 bar)																																						
Switch Type*					1 2								SPST, .17 A @ 120 VAC, .08 A @ 240 VAC, .13 A @ 120 VDC, .06 A @ 240 VDC SPST, .8 A @ 120 VAC, .4 A @ 240 VAC																											
Set Point Distance, L5†							00.00						In inches referenced from bottom of process connection																											
Set Point Distance, L4†								00.00					In inches referenced from bottom of process connection																											
Set Point Distance, L3†									00.00				In inches referenced from bottom of process connection																											
Set Point Distance, L2†										00.00			In inches referenced from bottom of process connection																											
Set Point Distance, L1†											00.00		In inches referenced from bottom of process connection																											
Overall Length, L0												00.00	Min. length is L1+D; Max. overall length is 48" (121 cm)																											

NO switch is standard. For NC place an "" after the corresponding set point distance in the model number.

†No numbers needed beyond the number of switches specified.

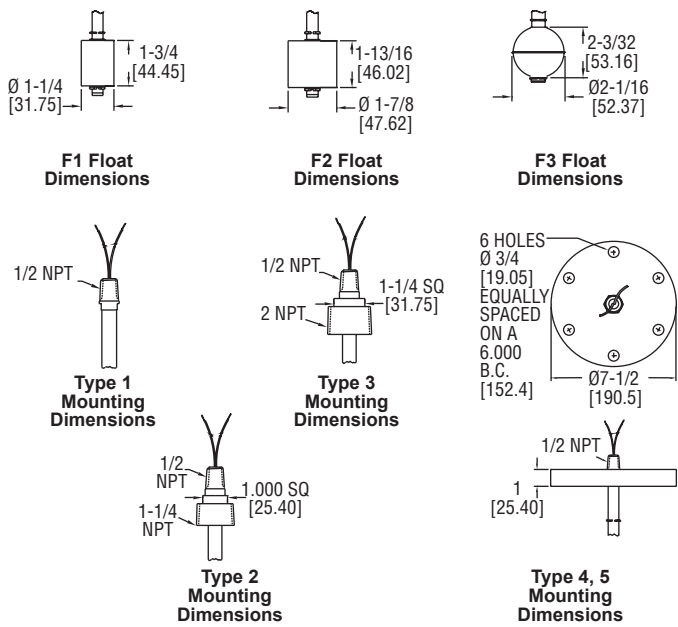
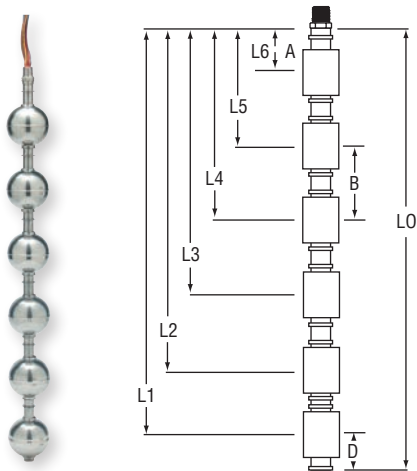
Note: Models are built to your specifications

SPECIFICATIONS

- Service:** Compatible liquids.
- Wetted Materials:** Stem, connection, and float.
- Temperature Limits:** F1 and F2: Water, 180°F (82.2°C); Oil, -40 to 250°F (-40 to 121.1°C). All other floats: -40 to 300°F (-40 to 148.9°C).
- Electrical Connection:** 24" (61 cm) free leads #22 AWG, TFE jacketed.
- Mounting Orientation:** Vertical ±30°.

MULTI-STATION LEVEL SWITCH

Customize To Fit Application, Up to Six 316 SS or Buna-N Floats



ACTUATION LEVELS		
A	B	D
1-1/2" (38.10 mm)	3" (76.20 mm)	2" (50.80 mm)
Each switching point requires one float. A=Minimum distance from actuation point to bottom of mounting B=Minimum distance between actuation levels D=Minimum distance from end of unit to lowest actuation point		

The **SERIES F7-MS** Multi-Station Level Switches provides a customized level switch to meet application requirements. Switches can be configured with up to six different control points and stem lengths up to 140" (3.56 m). Stems and floats are available in 316 SS or brass, SPST or SPDT switches, and choice of mountings.

- FEATURES/BENEFITS**
- Customized level indication quickly and affordably
 - Rugged construction with multiple options yielding exceptional versatility
 - Capable of supporting larger, more buoyant floats
 - Durable construction asserts long reliability in contaminated or turbulent media

- APPLICATIONS**
- Water level monitoring
 - Oil level control
 - Tank level control
 - Diesel level monitoring

SPECIFICATIONS		
Service: Compatible liquids.		
Wetted Materials: Stem, connection, and float.		
Temperature Limits: Buna-N floats: 180°F (82.2°C) in water, -40 to 230°F (-40 to 110°C) in oil; SS floats: -40 to 300°F (-40 to 148.9°C).		
Wire Leads: 24" (61 cm) free leads; #22 AWG, TFE jacketed, and #18 AWG polymeric.		
Mounting Orientation: Vertical ±30°.		

MODEL CHART														
Example	F7-MS	B	1	-5	F3	1	-04.00	-07.00	-11.00	-15.00	-20.00	-24.00	J	F7-MSB1-5F31-04.00-07.00-11.00-15.00-20.00-24.00-J
Construction	F7-MS	B												Multi-station level, 1 to 6 switch points
Stem & Connection Material		S												Brass with beryllium copper stops 316SS with SS ARMCO PH-15-7MO stops
Connection Type			1											1/2" NPT (float F2, F3 only) 1-1/4" NPT (float F1 only) 2" NPT 3" 150# flange carbon steel (conn. material S only, float F2, F3 only) Max. pressure: 150 psi (10.3 bar) 3" 150# flange 316SS (conn. material S only, float F2, F3 only) Max. pressure: 150 psi (10.3 bar)
Switch Points														Put 1 to 6 for the number of switch points desired
Float Type					F1	F2	F3							Material Buna-N 0.75 Buna-N 0.55 316SS 0.75 Min. s.g. 0.75 0.55 0.75 Max. Pressure 150 psi (10.3 bar) 150 psi (10.3 bar) 750 psi (51.7 bar); Units >72": 300 psi (20.7 bar)
Switch Type*					1	2	3							SPST, .17 A @ 120 VAC, .08 A @ 240 VAC, .13 A @ 120 VDC, .06 A @ 240 VDC SPST, .8 A @ 120 VAC, .4 A @ 240 VAC SPDT, .17 A @ 120 VAC, .08 A @ 240 VAC, .13 A @ 120 VDC, .06 A @ 240 VDC
Set Point Distance, L6†							00.00							In inches referenced from bottom of process connection
Set Point Distance, L5†								00.00						In inches referenced from bottom of process connection
Set Point Distance, L4†									00.00					In inches referenced from bottom of process connection
Set Point Distance, L3†										00.00				In inches referenced from bottom of process connection
Set Point Distance, L2†											00.00			In inches referenced from bottom of process connection
Set Point Distance, L1†												00.00		In inches referenced from bottom of process connection
Overall Length, L0													00.00	Min. length is L1+D; Max. length with connection type 1: 36" (91.4 cm), type 2: 60" (152.4 cm) and types 3, 4, 5: 140" (355.6 cm)
Options													J	Junction box for wire leads, NEMA 4 (not available with connection type 1)

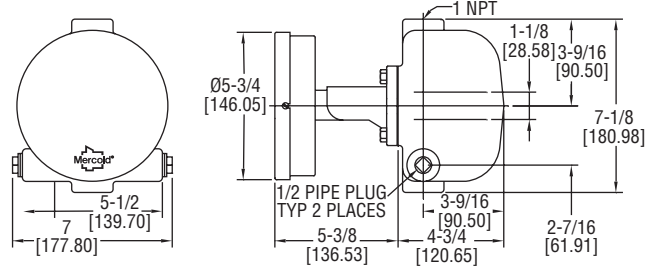
NO switch is standard. For NC place an "" after the corresponding set point distance in the model number.
†No numbers needed beyond the number of switches specified.
Note: Models are built to your specifications

Level Switches, Float



BOILER WATER LEVEL CONTROL

Heavy Duty, Cast Iron Chamber



The **SERIES 123 & 125** Boiler Water Level Controls are designed for boiler applications, the Model 123 is primarily used for low water cut-off or feed-water control. The 125 offers the same long lasting service with a direct action mercury switch movement that provides a close deadband where needed.

FEATURES/BENEFITS

- Special snap action switch mechanism options eliminates frequent operation due to surging water level
- Transparent cover provides convenient visible operation of the switch
- Flanged chamber for easy clean out and replacement of float or switch mechanism without removing the unit from piping

APPLICATIONS

- Boiler low water cut-off
- Boiler feed-water control
- Condensate tanks
- Deaerators

MODEL CHART	
Model	Switch Type
123-153	SPDT mercury
123-7000-153	SPDT snap

SPECIFICATIONS

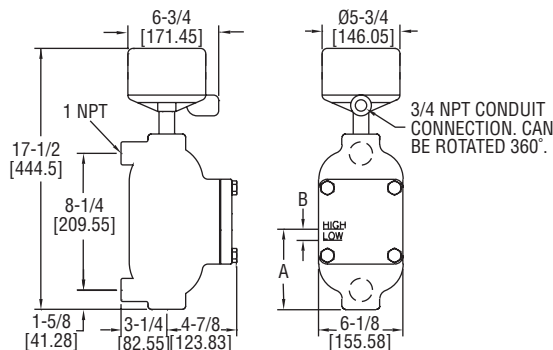
Service: Compatible liquids. Cast iron is not for use with lethal or flammable substances either liquid or gaseous.
Wetted Materials: Body: Cast iron; Float: 304 SS; Trim and packing gland: Brass; Packing: Carbon; Body gasket: Carbon.
Temperature Limit: 365°F (185°C).
Pressure Limit: 150 psig (10.34 bar).
Enclosure Rating: General purpose. Optional weatherproof.
Switch Type: SPDT snap switch or mercury switch. Optional DPDT or two stage.

Electrical Rating: Snap switch: 15 A @ 120/240/480 VAC, 0.5 A @ 120 VDC resistive, 0.25 A @ 240 VDC resistive; Mercury switch: 4 A @ 120 VAC/DC, 2 A @ 240 VAC/DC.
Electrical Connections: Screw terminal. Conduit Connection: 7/8" (22.23 mm) hole for 1/2" (12.7 mm) conduit.
Process Connections: 1" female NPT.
Mounting Orientation: Vertical.
Deadband: Approximately 1-1/2" (38.1 mm).
Specific Gravity: 0.88 min.
Options: Manual reset.
Weight: 20 lb (9.1 kg).
Agency Approvals: CSA, UL. (Snap switch is not rated).



FLANGED CHAMBER TYPE LEVEL CONTROL

Operating Pressures to 300 PSIG



Specific Gravity	A		B	
	1.0	0.6	3/4 [19 mm]	1 [25.4 mm]
	5-1/16 [129 mm]	5-13/16 [148 mm]		

The **SERIES 102 & 1102** Flanged Chamber Type Level Controls are external cage type level switches which are self-contained in a side mount body. The 102 series will operate to a minimum specific gravity of 0.60 and the 1102 series will operate to a specific gravity of 0.40. These series contain a stainless steel float and offer a choice of cast iron, cast steel, or cast 316 SS float chamber.

FEATURES/BENEFITS

- Unique design allows the simple removal of four bolts from the inspection plate to examine the float and chamber for cleaning or wear without disconnecting the piping or electrical circuitry
- Electrical enclosures provide general purpose, weatherproof, explosion-proof or explosion-proof/vapor proof capability as well as cost effective cast 316SS float chamber option
- Electrical circuits using hermetically sealed snap action or mercury contacts are available in a variety of actions including SPST, SPDT, DPDT and DPST combinations
- The 102 design features three 1" NPT process connections for side/side or side/bottom piping allowing the bottom 1" NPT connection to be used as a drain when using the side/side process connection

APPLICATIONS

- Pressure or vacuum vessels
- Chemical processing plants
- Steam and electric generating stations
- Hydraulic accumulators
- Vapor-liquid separators
- Scrubbers
- Oil refineries
- Storage tanks

SPECIFICATIONS

Service: Compatible liquids. Cast iron is not for use with lethal or flammable substances either liquid or gaseous.
Wetted Materials: Body: Cast iron. Optional cast steel or 316 SS; Float and trim: 303 SS, 304 SS, 316 SS, and 430 SS. Option of all 316 SS; Body gasket: Carbon.
Temperature Limit: 425°F (218°C).
Pressure Limit: 300 psig (20.7 bar). Optional rating to 400 psig (27.6 bar).
Enclosure Rating: NEMA 4X (IP66).
 Optional general purpose or explosion-proof.
Repeatability: ±1/4" (6.4 mm).
Switch Type: SPDT snap switch, hermetically sealed snap switch, or mercury switch. Optional DPDT or two stage.

Electrical Rating: Snap switch: 12 A @ 120 VAC, 5 A @ 240 VAC, 0.5 A @ 125 VDC resistive, 0.25 A @ 250 VDC resistive; Hermetically sealed snap switch: 5 A @ 125 VAC, 5 A @ 240 VAC, 5 A @ 30 VDC resistive; Mercury switch: 4 A @ 120 VAC/DC, 2 A @ 240 VAC/DC. Higher contact ratings available for the mercury switch.
Electrical Connections: Screw terminal.
Conduit Connection: 3/4" female NPT.
Process Connections: 1" female NPT.
Mounting Orientation: Vertical.
Set Point Adjustment: ±1" (25.4 mm).
Specific Gravity: 0.6 min.
Weight: 35 lb (15.9 kg).
Agency Approvals: UL.

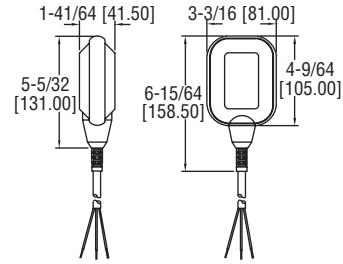
MODEL CHART	
Model	Switch Type
102-WT-4810-C-60	SPDT mercury
102-WT-7810-C-60	SPDT snap
102-WT-7810HM-C-60	SPDT hermetically sealed snap

CABLE FLOAT SWITCH

Mercury-Free, UL/CSA Approved Options



Scan here to watch product video



The **SERIES CFS2** Cable Float Switches is a mechanically actuated floating switch intended to activate electrical components, such as pumps, to start and stop automatically. Optional cables are available. Contact factory for cable length options ranging from 10 to 70' (3 to 21 m).

FEATURES/BENEFITS

- High reliability with mercury-free, magnetic, mechanical internal design
- Economical pricing with multiple option available for increased versatility
- Easy installation with counterweights and cable hangers to suit a variety of mounting applications

APPLICATIONS

- Water level monitoring
- Tank level control
- High or low level alarm
- Municipal water control
- Industrial water control
- Filling or draining reservoirs and tanks
- Pump automation

SPECIFICATIONS

Service: Compatible liquids.
Wetted Materials: Enclosure: Polypropylene; Cable: See model chart.
Temperature Limits: 32 to 122°F (0 to 50°C).
Pressure Limits: 14.5 psi (1 bar).
Enclosure Rating: IP68.
Switch Type: See model chart.

Electrical Rating: CFS2-XXBXX-XX: 10 (8) A @ 250 VAC; CFS2-XXDXX-XX: 1 HP @ 125 VAC 16 FLA; 2 HP @ 250 VAC 12 FLA.
Shipping Weight: Enclosure: 5.43 oz (154 g); Cable: 0.77 oz (21.27 g) per ft.
Agency Approvals: See model chart.

ACCESSORIES

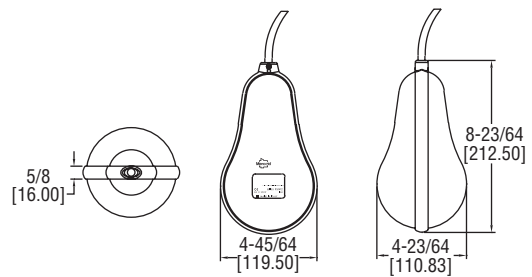
Model	Description
A-457	7.76 oz (220 g) counterweight
A-459	Cable hanger

MODEL CHART

Model	Cable Type	Approvals	Switch Type	Cable Length	Model	Cable Type	Approvals	Switch Type	Cable Length
CFS2-ONBPN-20	PVC	CE	SPST NO	20 ft (6.10 m)	CFS2-DNBPN-40	PVC	CE	SPDT	40 ft (12.19 m)
CFS2-ONBPN-30	PVC	CE	SPST NO	30 ft (9.14 m)	CFS2-DNBPN-50	PVC	CE	SPDT	50 ft (15.24 m)
CFS2-ONBPN-40	PVC	CE	SPST NO	40 ft (12.19 m)	CFS2-DNBPN-60	PVC	CE	SPDT	60 ft (18.29 m)
CFS2-ONBPN-50	PVC	CE	SPST NO	50 ft (15.24 m)	CFS2-DNBPN-80	PVC	CE	SPDT	80 ft (24.38 m)
CFS2-CNBPN-20	PVC	CE	SPST NC	20 ft (6.10 m)	CFS2-DNBPN-100	PVC	CE	SPDT	100 ft (30.48 m)
CFS2-CNBPN-30	PVC	CE	SPST NC	30 ft (9.14 m)	CFS2-OGDSN-20	SJOW	UL/CSA	SPST NO	20 ft (6.10 m)
CFS2-CNBPN-40	PVC	CE	SPST NC	40 ft (12.19 m)	CFS2-OGDSN-30	SJOW	UL/CSA	SPST NO	30 ft (9.14 m)
CFS2-CNBPN-50	PVC	CE	SPST NC	50 ft (15.24 m)	CFS2-OGDSN-40	SJOW	UL/CSA	SPST NO	40 ft (12.19 m)
CFS2-DNBPN-7	PVC	CE	SPDT	7 ft (2.13 m)	CFS2-OGDSN-50	SJOW	UL/CSA	SPST NO	50 ft (15.24 m)
CFS2-DNBPN-10	PVC	CE	SPDT	10 ft (3.05 m)	CFS2-CGDSN-20	SJOW	UL/CSA	SPST NC	20 ft (6.10 m)
CFS2-DNBPN-15	PVC	CE	SPDT	15 ft (4.57 m)	CFS2-CGDSN-30	SJOW	UL/CSA	SPST NC	30 ft (9.14 m)
CFS2-DNBPN-20	PVC	CE	SPDT	20 ft (6.10 m)	CFS2-CGDSN-40	SJOW	UL/CSA	SPST NC	40 ft (12.19 m)
CFS2-DNBPN-30	PVC	CE	SPDT	30 ft (9.14 m)	CFS2-CGDSN-50	SJOW	UL/CSA	SPST NC	50 ft (15.24 m)

FREE-FLOATING LEVEL SWITCH

Designed for Industrial Applications, Mercury-Free, Self Counter-Weighted



The **SERIES FSW2** Free-Floating Cable Float Switches is a self-counterweighted, mechanically actuated floating switch intended to activate electrical components, such as pumps, to start and stop automatically. Optional cables are available. Contact factory for cable length options ranging from 10 to 70' (3 to 21 m).

FEATURES/BENEFITS

- Body is free of any irregularities allowing substances to effortlessly glide off and consists of a double airtight chamber with high-pressure melted polypropylene re-injection sealing to ensure a perfect seal reducing maintenance events
- High reliability with mercury-free, magnetic, mechanical internal design
- Economical pricing with multiple option available for increased versatility
- Seamless installation with self-counterweighted body and cable hangers to suit a variety of mounting applications

APPLICATIONS

- Wastewater level monitoring
- Tank level control
- High or low level alarm
- Municipal wastewater control
- Industrial wastewater control

ACCESSORY

Model	Description
A-459	Cable hanger

SPECIFICATIONS

Service: Compatible liquids, slurries.
Wetted Materials: Enclosure: Polypropylene; Cable: PVC.
Operating Temperature: 32 to 122°F (0 to 50°C).
Pressure Limits: 29 psi (2 bar).
Enclosure Rating: IP68.

Switch Type: See model chart.
Electrical Rating: 10 (8) A @ 250 VAC.
Mounting Orientation: Vertical.
Shipping Weight: Enclosure: 2.4 lb (1100 g); Cable: 0.77 oz (21.27 g) per ft.
Agency Approvals: CE.

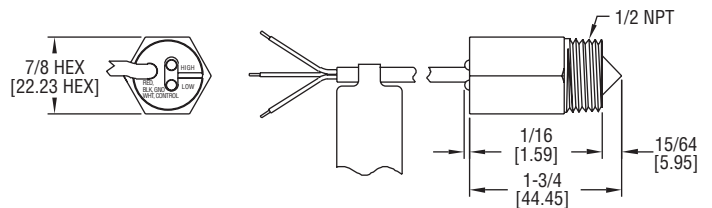
MODEL CHART

Model	Switch Type	Cable Length ft (m)	Model	Switch Type	Cable Length ft (m)
FSW2-ONPN-20	SPST NO	20 (6.10)	FSW2-DNPN-10	SPDT	10 (3.05)
FSW2-ONPN-30	SPST NO	30 (9.14)	FSW2-DNPN-15	SPDT	15 (4.57)
FSW2-ONPN-40	SPST NO	40 (12.19)	FSW2-DNPN-20	SPDT	20 (6.10)
FSW2-ONPN-50	SPST NO	50 (15.24)	FSW2-DNPN-30	SPDT	30 (9.14)
FSW2-CNPN-20	SPST NC	20 (6.10)	FSW2-DNPN-40	SPDT	40 (12.19)
FSW2-CNPN-30	SPST NC	30 (9.14)	FSW2-DNPN-50	SPDT	50 (15.24)
FSW2-CNPN-40	SPST NC	40 (12.19)	FSW2-DNPN-60	SPDT	60 (18.29)
FSW2-CNPN-50	SPST NC	50 (15.24)	FSW2-DNPN-80	SPDT	80 (24.38)
			FSW2-DNPN-100	SPDT	100 (30.48)



OPTICAL LEVEL SWITCH

Low Cost, Compact, LED Indication, No Moving Parts



The **SERIES OLS** Optical Level Switches is a low cost, rugged optical level switch that indicate the presence or absence of liquid via infrared light that is reflected back through the prism lens. This series offers three optional materials, 316 SS, polysulfone and PFA.

FEATURES/BENEFITS

- Provides rapid response while employing no moving parts for stable process control
- Bright red and green LED's indicate the presence or absence of liquid for true, local indication
- Three optional materials, 316 SS, polysulfone and PFA provide application flexibility
- Compact switch can be quickly mounted horizontally or vertically for each installation

APPLICATIONS

- Food and beverage systems
- Liquid holding tanks
- Hydraulic reservoirs
- Pharmaceutical systems
- Air conditioning systems
- Sumps

SPECIFICATIONS

Service: Noncoating compatible liquids.
Wetted Materials: See model chart.
Temperature Limit: Process: OLS-10, 11: 200°F (93.3°C), OLS-12: 120°F (48.9°C); Ambient: OLS-10, 11: 175°F (79.4°C), OLS-12: 120°F (48.9°C).
Pressure Limit: OLS-11, 12: 200 psig (13.8 bar); OLS-10: 1000 psig (69 bar).
Repeatability: ±0.02" (0.5 mm).
Switch Type: NPN open collector.
Power Requirements: 10 to 28 VDC.

Output Signal: Vout (max) = 28 VDC, Isink (max) = 100 mA.
Current Consumption: 35 mA max.
Electrical Connections: 38" (965.2 mm) 3 conductor cable, 22 AWG wire.
Process Connection: 1/2" male NPT.
Mounting Orientation: Can be mounted in any position.
Specific Gravity: No minimum.
Weight: 3 oz (0.085 kg).

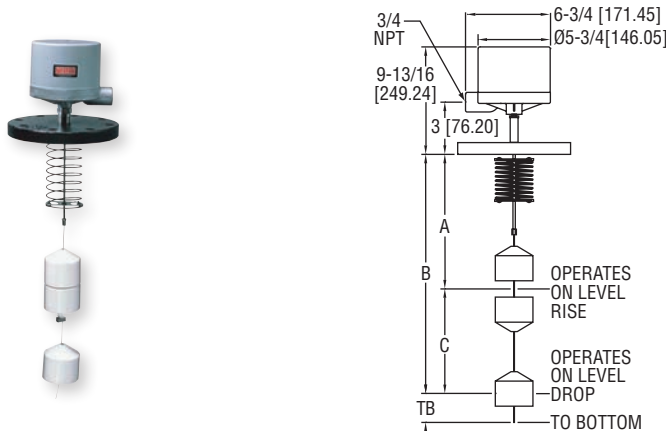
MODEL CHART

Model	Wetted Materials
OLS-10	316 SS/polysulfone
OLS-11	Polysulfone
OLS-12	PFA



LIQUID LEVEL SWITCHES-CONTROLS

Top Mounted Displacer Type, Adjustable Setpoints, Magnetic Operation, Optional Hermetically Sealed Snap Switch



DIMENSIONS FOR 1.0 S.G. @ 100°F (38°C)

A		C		TB	B
Max.	Min.	Max.	Min.	Max.	Min.
116-1/2" (2.66 m)	6-1/2" (165 mm)	114" (2.9 m)	6-3/4" (172 mm)	2-1/2" (64 mm)	122-1/4" (3.1 m)

The **SERIES B-190** Liquid Level Switches and Controls is a top mount displacer type level control. They work on the principle that submerged solids weigh less in liquids, and as the liquid level rises and their weight decreases, the tension on the spring by which they are suspended is decreased. This Series is offered in a range of cable lengths, specific gravities, circuit types and enclosure ratings.

FEATURES/BENEFITS

- Extremely versatile design
- Displacers are suspended on a coil spring and do not float on the surface of liquids and are unaffected by turbulence or pressure
- Excellent for applications with viscous or dirty liquids

APPLICATIONS

- Pumping stations
- Foaming liquids
- Sanitary/sewage treatment
- Paints & varnishes
- Agitated or turbulent fluids
- Heavy oil refineries
- Chemical plants
- Power generating stations
- Viscous or dirty liquids

MODEL CHART

Model	Switch Type
B190-WT-4810-P-A-1.0-2	SPDT mercury
B190-WT-7810-P-A-1.0-2	SPDT snap
B190-WT-7810HM-P-A-1.0-2	SPDT hermetically sealed snap

SPECIFICATIONS

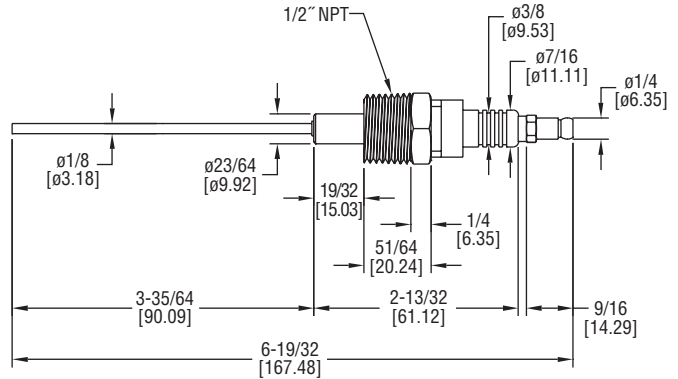
Service: Compatible liquids.
Wetted Materials: Cable, spring and stops: 316 SS; Optional Inconel® spring; Displacers: Porcelain; Optional 304 SS, 316 SS, or carbon graphite.
Temperature Limits: 32 to 200°F (0 to 93.3°C). Higher ratings available.
Pressure Limit: 125 psig (8.6 bar). Higher ratings available.
Enclosure Rating: NEMA 4X. Optional general purpose or explosion-proof.
Switch Type: SPDT snap switch, hermetically sealed snap switch, or mercury switch. Optional DPDT or two stage.
Electrical Rating: Snap switch: 12 A @ 120 VAC, 5 A @ 240 VAC, 0.5 A @ 125 VDC resistive, 0.25 A @ 250 VDC resistive; Hermetically sealed snap switch: 5 A @ 120 VAC, 5 A @ 240 VAC, 5 A @ 30 VDC resistive; Mercury switch: 4 A @ 120 VAC/DC, 2 A @ 240 VAC/DC. Higher contact ratings available for the mercury switch.

Electrical Connections: Screw terminal.
Conduit Connection: 3/4" female NPT.
Process Connections: 4" 125 cast iron flange. Other material, size, and rating flanges are available.
Mounting Orientation: Vertical.
Set Point Adjustment: Adjustable by moving displacers see dimension chart for minimum and maximum values.
Deadband: Adjustable by moving displacers see dimension chart for minimum and maximum values.
Specific Gravity: Standard is 1.0. Specify when ordering by replacing 1.0 in model number with specific gravity setting desired. Settable range is 0.5 to 1.2.
Cable Length: 10' (3 m) standard. Optional up to 100' (30.5 m).
Weight: 25 lb (11.34 kg).
Agency Approvals: UL (None on HM switch).

Inconel® is a registered trademark of Huntington Alloys Corporation

CONDUCTIVITY LEVEL PROBE

Low Cost, Compact Design



The **MODEL CLP** Conductivity Level Probe is used to determine the presence of a conductive liquid at a set level by sensing conductivity between the probe fitting and end. The Series CLP can be coupled with the Series TSWB Temperature Level Controller for a complete level control system.

FEATURES/BENEFITS

- Mount in any orientation in a tank, tee fitting, or any compatible threaded port for easy installation
- Probe end is solid stainless steel allowing substantial resistance to heat and corrosion
- Ceramic insulator allows for high degree of isolation

APPLICATIONS

- Water level monitoring
- Tank level control
- Process automation
- Single point level service
- Open tanks
- Closed vessels

SPECIFICATIONS

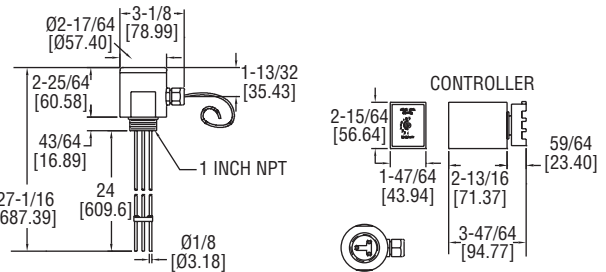
Service: Conductive liquids compatible with wetted materials.
Wetted Materials: Probe end: 430SS; Insulator: Ceramic; Fitting: Nickel-plated iron; Seal: Silicone.
Temperature Limits: 392°F (200°C).
Pressure Limits: 87 psi (6 bar).
Electrical Connections: Snap-type post.
Process Connection: 1/2" NPT.
Mounting: Threaded port, any orientation.
Weight: 2 oz (57 g).

MODEL CHART

Model	Description
CLP-1	Conductivity level probe, 1/2" NPT

DUAL POINT LEVEL SWITCH

Tank High/Low Control, Conductivity Technology, Up to 72" Probes



The **MODEL DPL110** Dual Point Level Switches maintain liquid level high and low limits by sensing the process liquids conductivity and can be used for single or dual point level control.

FEATURES/BENEFITS

- Contains no moving parts to get stuck or wear out
- Easily adjustable sensitivity for added application flexibility
- DIN rail-mountable socket mount for easy install
- Standard 24" (61 cm) electrodes can be cut by the end-user to a shorter length or lengthened by adding up to two 24" (61 cm) extensions (sold separately) to reach the maximum recommended length of 72" (183 cm)

APPLICATIONS

- Food and beverage
- Caustics and acids
- Sumps
- Reservoirs
- Pharmaceuticals
- Boilers and steam generators
- Ponds
- Sewage and wastewater

SPECIFICATIONS

Electrodes: 1/8" dia, 24" (609.6 mm) L, standard.
Wetted Materials: 316 SS, polypropylene.
Mounting, Sensor Head: 1" male NPT.
Pressure Limits: 30 psig (2.06 bar).
Temperature Limits: 212°F (100°C).
Probe Enclosure: NEMA 6 (IP67).
Maximum Probe Length: 72" (1.8 m) with optional extensions.
Connecting Cable, Probe to Controller: 10' (3.0 m).
Sensing Voltage: 12 VAC.
Power Supply: 120 VAC 50/60 Hz.
Output: SPDT, 5 A @ 240 VAC.
Mounting, Controller: Standard octal socket or 35 mm DIN rail.
Weight: Controller: 1.0 lb (0.45 kg); Probe Assembly: 1.5 lb (0.68 kg).

MODEL CHART

Model	Description
DPL110	Dual point level switch

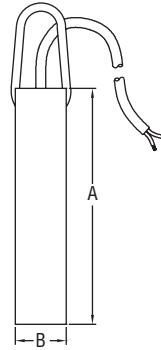
ACCESSORY

Model	Description
DPL5	Electrode extensions includes three 24" (610 mm) electrode extensions and mounting hardware



TILT SWITCH PROBE

Non-Mercury Probes



Probe Type	A in [cm]	B in [cm]
Standard	9 [22.86]	1-7/8 [47.63]
Compact	6 [15.24]	1-7/16 [36.51]

The **SERIES LTS** Tilt Switch Probes is able to sense either the presence or absence of material in applications where other sensors fail due to bin vibration, or absence of area to mount other measuring units. The probes are designed for use where the bulk material to be sensed is exposed or open. Use with Series LTC Tilt Switch Control Unit for complete control output solution.

FEATURES/BENEFITS

- All probe models are airtight, dust tight, and waterproof
- Compact probe should be used for applications where space is limited and standard, heavy duty probe should be used for applications where an abrasion resistant probe is necessary

APPLICATIONS

- Large hoppers
- Silos
- Crushers
- Trippers
- Stackers
- Conveyors

SPECIFICATIONS

Service: Powder and bulk.
Temperature Limit: -4 to 104°F (-20 to 40°C).
Switch Type: SPST, normally closed.
Electrical Rating: < 50 mA @ 12 VDC as supplied by Series LTC controller.
Electrical Connection: 3-wire +12 VDC (supplied by controller).
Cable Length: 25' (7.6 m) unless otherwise specified.
Probe Length: Standard: 9" (23 cm); Compact: 6" (15 cm).

Contact Rating: When not used with LTC controller: 60 V max., 0.25 A max.
Actuation Angle: 25° from vertical.
Material: Steel or 302/304 SS.
Switch Surrounding: Epoxy encapsulated.
Mounting Orientation: Vertical.
Weight: Standard: 4.75 lb (2.15 kg); Compact: 2.5 lb (1.13 kg).
Features: Fittings for hangers.
Agency Approvals: Meets NEMA 4.

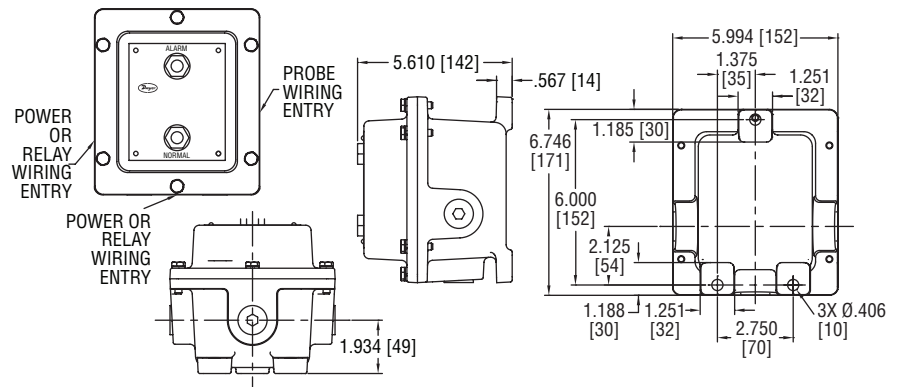
MODEL CHART

Model	Size	Probe Material
LTS-N11G-025	Standard	Steel
LTS-N21G-025	Compact	Steel
LTS-N12G-025	Standard	SS
LTS-N22G-025	Compact	SS

Consult factory for custom cable lengths.

TILT SWITCH CONTROL UNIT

Adjustable Time Delay



The **MODEL LTC2** Tilt Switch Control Units offers a complete level control solution when used with a tilt switch probe such as the Series LTS. It offers a DPDT switch output as well as indicator lights to provide visual and output control of the level probe status.

FEATURES/BENEFITS

- Adjustable time delay feature may be assigned to either the vertical or the tilt position to prevent false signals
- Logic selector switch determines when the output relay actuates and de-actuates, thus while in position one, the relay is energized when the probe is in the vertical position and de-energizes when the probe is in the tilted position, and while in position two, the actions are opposite
- Relay assumes the de-energized position upon reaching the end of the delay period as well as upon failure of power to the controller

APPLICATIONS

- Large hoppers
- Silos
- Crushers
- Trippers
- Stackers
- Conveyors

SPECIFICATIONS

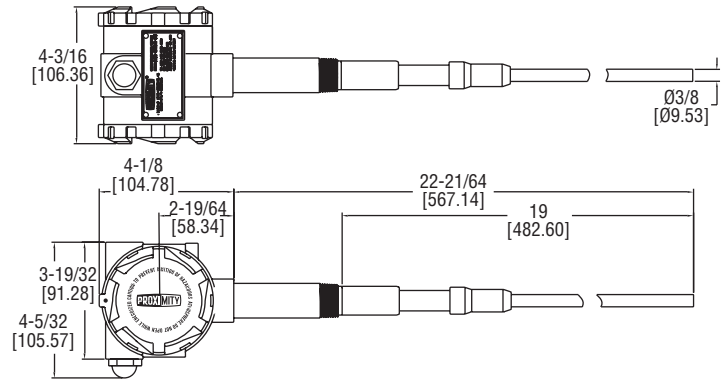
Temperature Limit: -4 to 104°F (-20 to 40°C).
Power Requirements: 115 VAC @ 50/60 Hz.
Power Consumption: 10W.
Switch Type: DPDT.
Electrical Rating: 5 A @ 120 VAC; 5 A @ 240 VAC.
Enclosure: Cast aluminum.
Enclosure Rating: None or NEMA 4, 4X.
Electrical Connections: No suffix: 120 VAC; B suffix: 240 VAC.
Conduit Connections: 3/4 NPT: 2 power/relay & 1 probe.
Indicator Light: Green (when relay is energized and probe vertical); Red (when relay is de-energized and probe tilted), LED lamps.
Time Delay: 0.1 to 35 sec; Adjustment will delay output relay action.

MODEL CHART

Model	Enclosure
LTC2	NEMA 4X

CAPACITIVE LEVEL SWITCH

Powder, Bulk, or Liquids, Auto-Calibration



Scan here to watch product video

The **SERIES CLS2** Capacitive Level Switches is a capacitive technology level switch which can be used for liquids, powders and bulk materials. It is offered with PVDF and 316 SS wetted material, weatherproof enclosure, DPDT output and a variety of process connections.

FEATURES/BENEFITS

- No moving parts permitting for no jams, no wear, nothing to break, and no maintenance
- Impulse RF admittance measurement combined with an active guard, provides excellent level measurement and stability while being insensitive to material buildup
- Immune to external RF sources like walkie-talkies and cell phones as well as minimal interference with radio communication or other electronic systems
- Automatic calibration with no need to turn calibration pots, just push the calibration button and an external magnet to activate the calibration without having to open the enclosure saving time
- Coat guard probe is not affected by sticky, dusty, or clingy materials that coat or build preventing false alarms
- Status indication via an ultra-high brightness external red LED switch status indicator, and internal indicators for power, sensor, and switch status that can be seen externally with window cap option (external LED on weatherproof model only)
- Can be used for liquid interface applications to detect the level of two immiscible liquids that have different dielectric constants such as oil and water
- Failsafe setting with output switches that can be set for NO or NC condition on loss of power
- Time delay prevents false alarms from material splashing, agitation, etc.
- Removable terminal block snaps in and out enabling easy wiring outside of the enclosure
- Universal power supply with one model that works from 12 to 240 VAC/DC without any jumpers or change of setting
- Wetted materials of PVDF and 316 SS assure great chemical compatibility and meet food grade requirements

APPLICATIONS

- Sewage and wastewater
- Boilers and steam generators
- Food and beverage
- Caustics and acids
- Pharmaceuticals
- Reservoirs
- Sumps
- Level indication in silos
- Level monitoring in receivers
- Transporters in pneumatic conveying systems

SPECIFICATIONS

Service: Liquids, powder, and bulk materials compatible with wetted materials.
Wetted Materials: 316 SS and polyvinylidene fluoride (PVDF).
Temperature Limits: Ambient: -40 to 185°F (-40 to 85°C), -4 to 185°F (-20 to 85°C) with under 24 VAC/DC power supply; Process: -40 to 250°F (-40 to 121°C).
Pressure Limit: 365 psi (25 bar).
Enclosure Rating: Weatherproof, NEMA 4X (IP66).
Switch Type: DPDT (two form C).
Electrical Rating: 8 A @ 120/240 VAC res., 30 VDC. 1/2 hp @ 120 VAC and 1/4 hp @ 240 VAC ind.
Power Requirements: 12 to 240 VAC/DC.
Power Consumption: 2.8 watts max.
Electrical Connection: 1/2" NPT conduit opening, screw termination with removable terminal block.
Process Connection: See model chart.
Mounting Orientation: Vertical or horizontal.
Set Point Adjustment: Trips when product touches probe. Cut or extend probe to length of desired trip point. Can be cut as short as 1" and can be extended by welding on to probe. (Minimum length will be effected by material being sensed.)
Response Time: 0.2 seconds.
Time Delay: Adjustable, 0 to 60 seconds.
Spark/Static Protection: 10 M Ω dissipation resistance with spark gap. Surge current to 100A max.
Sensitivity: 8 selectable settings, 1, 2, 4, 6, 8, 10, 14, 20 pF (at 30 pF nominal free capacitance).
Agency Approvals: CE, cULus.

MODEL CHART

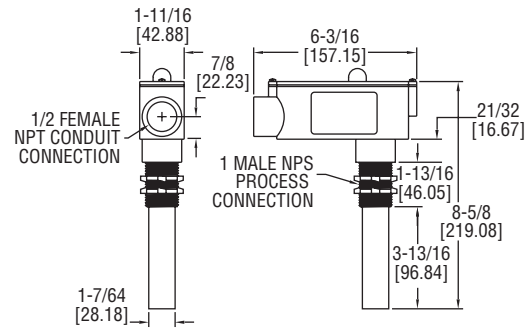
Example	CLS2	-W	1	1	R	K	1	-019	-M20	CLS2-W11RK1-019-M20
Series	CLS2									Capacitive level switch
Enclosure		W								Weatherproof
Switch			1							DPDT rated 8 A @ 12/240 VAC, 30 VDC res.
Power Supply				1						12-240 VAC/DC
Probe Type					R T C					Standard rod: 316 SS, .375" diameter Threaded rod: 316 SS (can attach field extensions.) Cable: 316 SS with weight
Insulator Material						K				PVDF
Process Connection							1 2 3 4 5 6 8 9			3/4" male NPT 1" male NPT 1-1/2" male NPT 3/4" BSPT 1" BSPT 1-1/2" BSPT 1-1/2" sanitary clamp 2" sanitary clamp
Probe Length								XXX		Insertion length in inches. Example 019 is 19" length. (Minimum length is 6", with 3/4" sensing tip)
Options									M20 WC	M20 conduit connection with cable gland Window cap

Example Model: CLS2-W11RK1-019

Level Switches,
Capacitive

CAPACITANCE LEVEL SWITCH

For Solids, Liquids or Slurries, Fail-Safe Protection, <1 pF Sensitivity



The **MODEL CLS1** Capacitance Level Switches provides reliable point level measurement of solids, liquids and slurries in metallic or non-metallic tanks and vessels. It detects the presence or absence of material in contact with the probe by sensing a change in the capacitance.

FEATURES/BENEFITS

- Electronics provide highly sensitive measurement detection (requires less than a 1 picofarad shift from ambient)
- State of the art technology ignores material build-up on the vessel sidewall or along the probe assembly
- One time calibration is simple with a single multi-turn potentiometer
- Red LED on housing indicates sensor status
- Adjustable 1-30 second time delay and a 5 A, SPDT fail-safe relay output
- Added installation flexibility with vertically or horizontally mounting

APPLICATIONS

- High or low level detection
- Bins
- Silos
- Tanks
- Hoppers
- Chutes

SPECIFICATIONS

Service: Solids, liquids, or slurries.
Wetted Material: CPVC.
Temperature Limits: Process: -40 to 240°F (-40 to 116°C); Ambient: -40 to 185°F (-40 to 85°C).
Enclosure Rating: NEMA 4X (IP66), PVC, dust tight, water resistant.
Switch Type: SPDT.
Electrical Rating: 5 A @ 250 VAC.

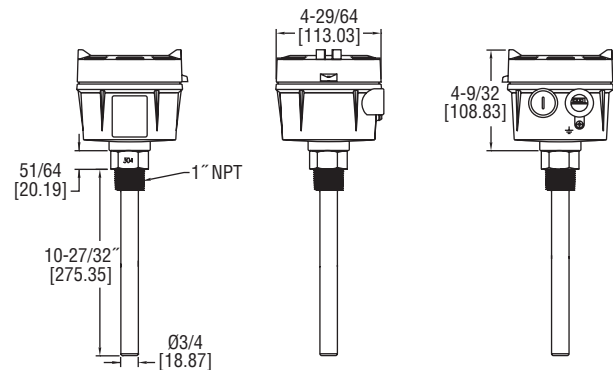
Power Requirements: 120 VAC, 1.5 VA.
Conduit Connection: 3/4" female NPT.
Process Connection: 1" male NPS.
Mounting Orientation: Vertical or horizontal.
Sensitivity: Adjustable to < 1 pF.
Fail-Safe: Switch selectable, high/low.
Time Delay: Adjustable 1 to 30 s.
Weight: 2.0 lb (0.91 kg).

MODEL CHART

Model	Description
CLS-01	Capacitance level switch

VIBRATING ROD LEVEL SWITCH

Economical, No Material Build Up, For Powder or Bulk Solids



The **MODEL VRLS** Vibrating Rod Level Switches is economical choice in level detection of powders and bulk solids. The VRLS incorporates a piezoelectric crystal that vibrates the rod at its natural frequency, when contact material is present it dampens the vibrations and the switch changes state.

FEATURES/BENEFITS

- Probe design allows for self-cleaning, ensuring no build-up or bridging of material and accurate detection
- No mechanical moving parts with no routine maintenance required
- Sensitivity is adjustable for detection ranging from large granular material to small powders with low bulk densities.
- The failsafe mode can be set for failure on high level or failure on low level using a selector switch in the enclosure
- Unaffected by the dielectric constant of the sensed material, making it superior to a capacitance level switch for applications where the dielectric constant is too low, where there is more than one material being used in one vessel, and when material moisture content can change
- Ideal for applications where the bulk density is too low for a rotating paddle level switch

APPLICATIONS

- Pulp and paper processing
- Mining
- Food and beverage
- Silos
- Hoppers

SPECIFICATIONS

Service: Dry powder or bulk materials compatible with wetted materials.
Sensitivity: Min. bulk density of 20 lb/ft³ (320 kg/m³).
Wetted Materials: 304 SS.
Temperature Limits: Ambient: -40 to 140°F (-40 to 60°C); Process: -40 to 176°F (-40 to 80°C).
Pressure Limit: 150 psi (10 bar).
Power Requirement: 20 to 250 VAC/VDC, 50/60 Hz.
Power Consumption: 15 VA.
Enclosure: Aluminum, painted.

Enclosure Rating: IP65.
Switch Type: SPDT.
Electrical Rating: 5 A @ 250 VAC.
Electrical Connections: Screw terminals.
Conduit Connection: 1/2" female NPT x 2.
Process Connection: 1" male NPT.
Indication Lights: Internal: green and red LED.
Sensing Delay: 0 to 6 s.
Weight: 4.4 lb (2.0 kg).

MODEL CHART

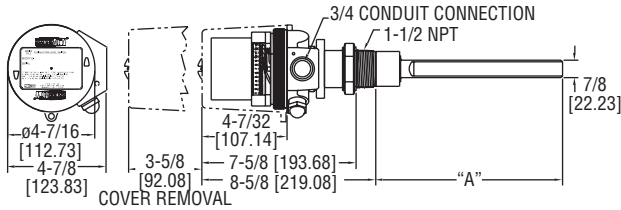
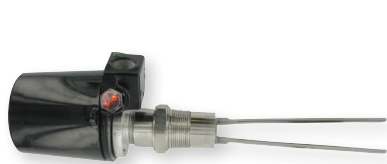
Model	Description
VRLS-01	Vibrating rod level switch



Scan here to watch product video

TUNING FORK LEVEL SWITCH

Perfect for Sensing Low Bulk Density or Low Dielectric Materials



Extension Length	DIM "A"
None	9-1/4 (234.95)
6 in	15-7/8 (403.23)
12 in	21-7/8 (555.63)
18 in	27-7/8 (708.03)
24 in	33-7/8 (860.43)
36 in	45-7/8 (1165.23)
48 in	57-7/8 (1470.03)

The **SERIES TFLS** Tuning Fork Level Switches is ideal for level control of powders and fine grained solids, especially those with a low bulk density. The TFLS incorporates a piezoelectric crystal that vibrates the fork at its natural frequency, when contact material is present it dampens the vibrations and the switch changes state.

FEATURES/BENEFITS

- Status indication with external LED switch indicator, and internal indicators for normal and alarm status
- No calibration required for quick and easy installation
- No mechanical moving parts with no routine maintenance required
- Unaffected by the dielectric constant of the sensed material, making it superior to a capacitance level switch for applications where the dielectric constant is too low, where there is more than one material being used in one vessel, and when material moisture content can change
- Vibrating fork design is ideal for low bulk density and low dielectric constant products, detecting products down to 1.8 lb/ft³ (30 g/l)
- Ideal for applications where the bulk density is too low for a rotating paddle level switch
- Adjustable sensitivity can be set to ignore lighter bulk density products and only detect heavier products, such as sand, gravel, or polyester chips in water
- Unit is not affected by vibration from conveying systems, motors, or the movement of material
- Mounted in any position and is available with factory built extensions for mounting on the top of the storage vessel
- Failsafe setting with output switch that can be set for NO or NC condition on loss of power
- Time delay prevents false alarms from material surges
- Universal power supply yields one model which works with 90 to 265 VAC and 24 VDC

APPLICATIONS

- Chemical processing
- Pulp and paper processing
- Mining
- Food and beverage
- Lime, styrofoam, tobacco, dry cereals, sugar, animal feed, milk powder, flour, insulation, cement, paper shavings, plastic granules, sawdust, carbon black, light fibers, detergent powders, dyes, chalk, silica, sand, wood chips

SPECIFICATIONS

Service: Dry powder or bulk materials compatible with wetted materials. Can detect bulk materials submerged in liquid.
Sensitivity: Minimum bulk density of 1.8 lb/ft³ (30 g/l), max particle size 0.4' (10 mm).
Wetted Materials: 316 SS.
Temperature Limits: Ambient: -4 to 140°F (-20 to 60°C); Process: -4 to 176°F (-20 to 80°C).
Pressure Limit: 145 psig (10 bar).
Power Requirement: 90 to 265 VAC, 50/60 Hz; 24 VDC.
Power Consumption: 4 VA.
Enclosure: Aluminum, powder coated.
Enclosure Rating: Weatherproof, NEMA 4X (IP66).
Switch Type: SPDT.
Electrical Rating: 5 A @ 230 VAC.
Electric Connections: Screw terminals.
Conduit Connection: 3/4" female NPT.
Process Connection: 1-1/2" male NPT.
Indication Lights: External: Red LED; Internal: Green and red LED's.
Sensing Delay: (Max) covered probe: 2 seconds; Uncovered probe: 3 to 7 seconds.
Time Delay: Separate settings for covering and uncovering the probe. Adjustable from 2 to 20 s.
Weight: 5.5 lb (2.5 kg).

MODEL CHART

Model	Description
TFLS-W11SR1	Tuning fork level switch

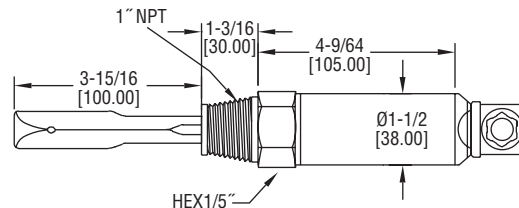
Contact factory for fork extension options in carbon steel or stainless steel.

MINI TUNING FORK LEVEL SWITCH

Compact, Cost Effective, DIN Connection



Scan here to watch product video



The **MODEL CTF** Mini Tuning Fork Level Switches is an ideal choice for level control of powders. The CTF incorporates a piezoelectric crystal that vibrates the fork at its natural frequency, when contact material is present it dampens the vibrations and the switch changes state. This series offers a PNP/NPN configurable output.

FEATURES/BENEFITS

- DIN connection and compact size allows for application in places a larger tuning fork level switch may not be suitable, providing great versatility
- No mechanical moving parts with no routine maintenance required
- Unaffected by the dielectric constant of the sensed material, making it superior to a capacitance level switch for applications where the dielectric constant is too low, where there is more than one material being used in one vessel, and when material moisture content can change
- Ideal for applications where the bulk density is too low for a rotating paddle level switch

APPLICATIONS

- Chemical processing
- Pulp and paper processing
- Mining
- Food and beverage

SPECIFICATIONS

Service: Dry powder compatible with wetted materials.
Sensitivity: Min. bulk solid density: 4.4 lb/ft³ (70 g/l).
Wetted Materials: Tuning Fork: 316 L SS; Process connection: 304 SS.
Temperature Limits: Ambient: -40 to 140°F (-40 to 60°C); Process: -40 to 212°F (-40 to 100°C).
Pressure Limit: 600 psi (40 bar).
Power Requirement: 12 to 55 VDC.
Power Consumption: 10 mA @ 12 to 24 VDC; 0.5 W (max.).
Enclosure: Aluminum, painted.
Enclosure Rating: IP65.
Switch Type: 3-wire PNP/NPN output.
Electrical Rating: 350 mA (max) @ 12 to 55 VDC.
Conduit Connection: Valve plug DIN 43650.
Process Connections: 1" male NPT.
Indication Lights: External red LED.
Sensing Delay: Max. covered probe: 1 to 3 s.; Uncovered probe: 1 to 3 s.
Weight: 2.2 lb (1.0 kg).

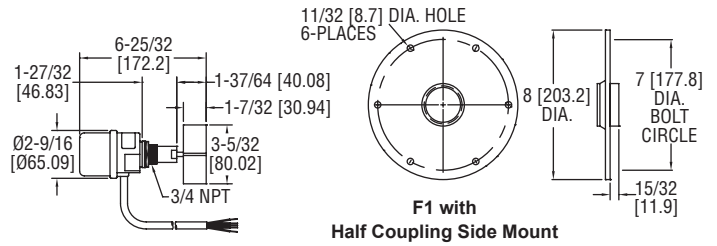
MODEL CHART

Model	Description
CTF-01	Mini tuning fork level switch



MINI-BIN DRY BULK LEVEL MONITOR

Compact, 4-Vane Paddle



The **MODEL DBLM** Mini-Bin Dry Bulk Level Monitors provides reliable level sensing for dry bulk solids where mounting space is limited. Model DBLM Mini-Bin operates by using a 1 rpm synchronous motor to rotate a four vane, plastic paddle, and when material surrounds paddle and impedes rotation, the motor is de-energized and triggers a SPDT snap switch. Mount the Mini-Bin with optional 1-1/4" to 3/4" reducer to replace standard size units.

FEATURES/BENEFITS

- Compact, side mount control reports high, intermediate, and low level conditions, eliminating overflows, choking, clogs or empty vessels
- Unaffected by the dielectric constant of the sensed material, making it superior to a capacitance level switch for applications where the dielectric constant is too low, where there is more than one material being used in one vessel, and when material moisture content can change

APPLICATIONS

- Mining
- Food and beverage
- Grain silos
- Hoppers

MODEL CHART	
Model	Power Supply
DBLM3040	110 VAC
DBLM3140	220 VAC

SPECIFICATIONS

Service: Dry bulk solids.
Wetted Materials: Polycarbonate paddle, SS shaft, PTFE washer.
Temperature Limits: -4 to 140°F (-20 to 60°C).
Enclosure Rating: Polycarbonate, NEMA 1 (IP10).
Switch Type: SPDT snap switch.
Electrical Rating: 3 A @ 250 VAC.
Power Requirements: 110 VAC, 50/60 Hz, 220 VAC optional, consult factory.

Power Consumption: 1.5 Watts.
Electrical Connections: 18 AWG, 12" leads wrapped in conduit.
Process Connection: 3/4" male NPT, optional flange and 1-1/4" to 3/4" reducer.
Mounting Orientation: Side mount.
Weight: 0.77 lb (350 g).
Agency Approvals: CE.

ACCESSORIES

Model	Description
F1	8" x 1-1/4" NPT flexible carbon steel mounting flange
A-335	1-1/4" to 3/4" reducer 220

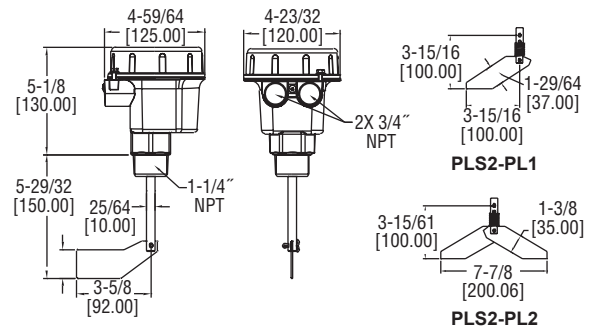


PADDLE LEVEL SWITCH

3 Sensitivity Settings, Top or Side Mounting



Scan here to watch product video



The **SERIES PLS2** Paddle Level Switches is an electromechanical level switch designed for level monitoring of bulk materials. The rotating measuring vane is driven by a brushless synchronous motor at one revolution per minute and as product builds up, the paddle rotation is impeded and the resulting motor torque activates the output switch and stops the motor. The PLS2 is designed with the industry standard 1-1/4" male NPT connection and unit can be side or top mounted.

FEATURES/BENEFITS

- Torque adjusting mechanism eliminates the need for different sized paddles
- 3 sensitivity settings for spring force can be set for light to very sticky materials
- Brushless synchronous motor assures long term reliability and efficiency
- Motor shuts ceases operation when paddle stalls
- Screw cover for easy access with no worries about losing bolts or screws
- Top or side mountable for added installation flexibility
- Unaffected by the dielectric constant of the sensed material, making it superior to a capacitance level switch for applications where the dielectric constant is too low, where there is more than one material being used in one vessel, and when material moisture content can change

APPLICATIONS

- Mining
- Food and beverage
- Silos
- Hoppers

MODEL CHART	
Model	Description
PLS2-E-1-1	Explosion-proof paddle level switch, 115 VAC power supply
PLS2-E-1-2	Explosion-proof paddle level switch, 230 VAC power supply
PLS2-E-1-3	Explosion-proof paddle level switch, 24 VDC power supply

Note: Models include single sided non-spring paddle.

SPECIFICATIONS

Service: Dry powder or bulk materials compatible with wetted materials.
Wetted Materials: Paddle: 304 SS; Exposed shaft: 303 SS; Shaft seal: NBR; Process connection: Aluminum.
Temperature Limits: Process: -13 to 176°F (-25 to 80°C); Ambient: -4 to 140°F (-20 to 60°C).
Pressure Limit: 11.6 psi (0.8 bar).
Power Requirement: Select by model number: 115 VAC, 230 VAC or 24 VDC.
Power Consumption: AC versions: 4 VA; DC version: 2.5 watt.
Enclosure: Aluminum, powder coated.
Enclosure Rating: NEMA 4 (IP66); Rated for Class II & III, Div. 1, Group E, F, G.

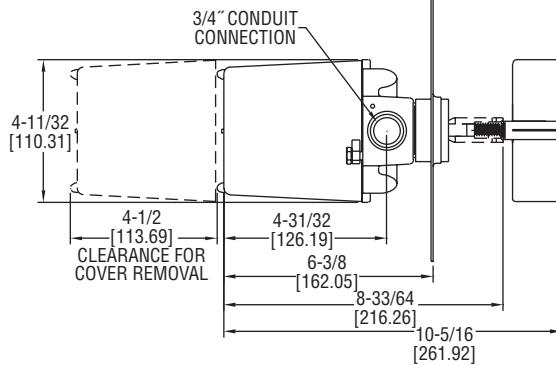
Switch Type: SPDT micro switch.
Electrical Rating: 5 A @ 250 VAC, 3 A @ 30 VDC.
Electric Connections: Screw terminals.
Conduit Connection: 3/4" female NPT.
Process Connection: 1-1/4" male NPT.
Mounting Orientation: Side or top mounting.
Sensitivity: Min. material density of 6 lb/ft³ (96 kg/m³).
Permitted Mechanical Loading: Standard shaft: 67 lbf (300 N) max; Optional extension: 22 lbf (100 N) max.
Weight: 2.6 lb (1.2 kg).
Agency Approvals: CE, FM.

ACCESSORIES

Model	Description
PLS2-PL1	Single sided spring paddle
PLS2-PL2	Double sided spring paddle
PLS2-EX1	8.5" shaft extension
PLS2-EX2	19.6" shaft extension
PLS2-EX3	39.4" shaft extension
PLS2-EX4	78.7" shaft extension

PADDLE LEVEL SWITCH

Economical Rotary Paddle Level Control, Top or Side Mounting for Dry Bulk Materials



Side Mount



PDL-1
Minimum bulk density of 5 lb/ft³ (80 kg/m³).



PDL-2
Minimum bulk density of 30 lb/ft³ (481 kg/m³).



PDL-3
Minimum bulk density of 30 lb/ft³ (481 kg/m³). Fits through a 1-1/4" coupling eliminating the need for a mounting flange.



PDL-4
Minimum bulk density of 70 lb/ft³ (1122 kg/m³). Fits through 1-1/4" coupling eliminating the need for a mounting flange.



Scan here to watch product video

The **SERIES PLS** Paddle Level Switches uses a 1 rpm synchronous motor to rotate a paddle and sense the presence of dry powder or bulk materials. Movement is impeded when product comes into contact with the paddle and the resulting motor torque activates the output switches and stops the motor. The PLS is designed with the industry standard 1-1/4" male NPT connection and mounting flanges.

FEATURES/BENEFITS

- Magnetic drive isolates and completely seals the control head from the process and environment preventing material or dust from entering the control head
- Motor shuts-off when paddle stalls increasing motor life, preventing motor burnout, and decreasing power usage
- Slip clutch design enabled by the magnetic drive that prevents damage to motor and drive mechanism from sudden or excessive loading on the paddle
- Status indication light on weatherproof models
- Screw cover on the enclosure for easy access with no worries about losing bolts or screws
- Modular design to allow field installation of any paddle, flanges, shaft extensions, or shaft guards
- Flexible coupling available for protection of the paddle and drive from side loads, surges or impacts. Recommended for top mount applications with shaft extension and applications with large or heavy materials

APPLICATIONS

- Mining
- Food and beverage
- Silos
- Hoppers

SPECIFICATIONS

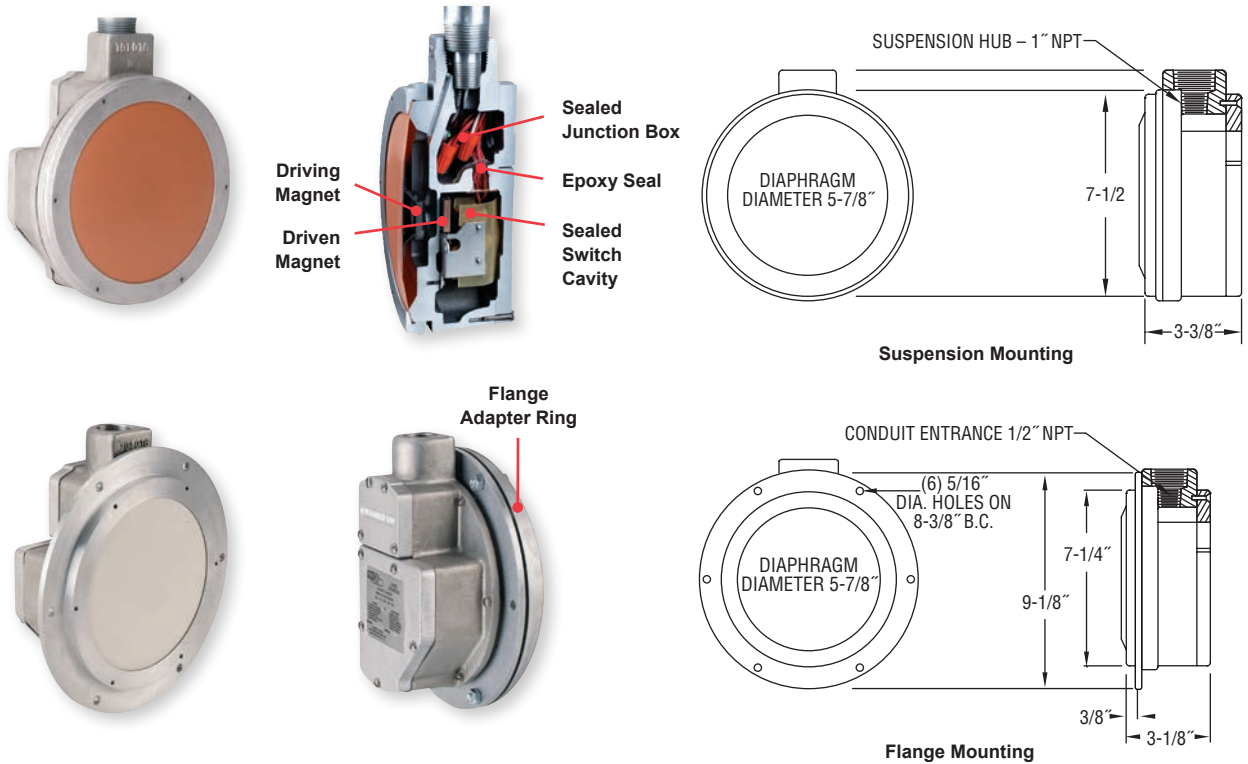
Service: Dry powder or bulk materials compatible with wetted materials.
Sensitivity: Min material density of 5 lb/ft³ (80 kg/m³), max of 200 lb/ft³ (3200 kg/m³).
Wetted Materials: Paddles: 316 SS; Exposed shaft: 316 SS; Shaft seal: PTFE; Mounting boss: Aluminum; Flexible coupling: 316 SS; Mounting flanges: Carbon steel or 316 SS; Shaft extension and shaft guards: Galvanized steel or 316 SS.
Temperature Limits: Standard construction: Process: -40 to 300°F (-40 to 148.9°C); Ambient: -40 to 185°F (-40 to 85°C); High temperature option: Process: -40 to 500°F (-40 to 260°C); Ambient: -40 to 185°F (-40 to 85°C).
Pressure Limit: 30 psig (2.07 bar) max for .5 micron or larger material.
Power Requirement: Select by part number: 110 to 120 VAC, 230 VAC, 24 VAC, 48 VAC or 12 VDC.
Power Consumption: Weatherproof models: 5 watts; Explosion-proof models: 3 watts.
Enclosure: Aluminum, powder coated.
Enclosure Rating: Weatherproof (W, WH construction): NEMA 4X (IP66); Explosion-proof (E, EH construction): NEMA 4X (IP66) and rated for Class I, Div. 1 & 2, Groups C & D, Div. 1 & 2, Groups E, F, & G.
Switch Type: SPDT or optional DPDT snap switch.
Electrical Rating: 15 A @ 120/230 VAC, 5 A @ 24 VDC.
Electric Connections: Screw terminals.
Conduit Connection: 3/4" female NPT.
Process Connection: 1-1/4" male NPT. Optional flange.
Indication Light: Red LED that activates when switch is made or when switch is not made with RL option (Not available on explosion-proof models).
Options: Time delay relay, high temperature construction, top mount, shaft extensions, shaft shields, flexible couplings, other power voltages, reversed light.
Agency Approvals: cUL approved as an auxiliary device or as an auxiliary device for hazardous locations.
Weight: Control head only: 4 lb (1.81 kg).

MODEL CHART		
Paddle Model	Flange Model	Description
PDL-1	FLG-CSH	Carbon steel with half coupling
PDL-2	FLG-CSF	Carbon steel with full coupling
PDL-3	FLG-SSH	316 SS with half coupling
PDL-4	FLG-SSF	316 SS with full coupling

Note: Contact the factory for pricing of shaft extensions, protective shields, and other options. More detailed information available in our Measurement & Control for Powder, Dust, and Bulk Materials Catalog.

MODEL CHART - CONTROL ASSEMBLIES	
Model	Description
PLS-W-S-1-0-0-0-0	Weatherproof construction, SPDT switch, 120 VAC power supply. Order paddles and flanges separately.
PLS-W-S-1-3-0-0-0	Weatherproof construction, SPDT switch, 120 VAC power supply, includes PDL-3 paddle.
PLS-W-S-1-2-CSH-0-0	Weatherproof construction, SPDT switch, 120 VAC power supply, includes PDL-2 paddle and FLG-CSH flange.

EXPLOSION-PROOF LEVEL SWITCHES FOR POWDER & BULK SOLIDS



Scan here to watch product video

The **SERIES E, G, AND P ULTRA MAG™** is an explosion-proof series of level switches for powder and bulk solids that utilize a unique magnetic linkage and diaphragm design to sense the presence of powder and bulk solids in a variety of bins, vessels, and hoppers.

FEATURES/BENEFITS

- Uses a unique magnetic linkage which isolates the electrical compartment from controlled product, reducing maintenance and improving sensitivity
- Sealed switch compartment and sealed leads yield the exceptionally reliable operation
- A wide selection of diaphragms and switches is available with choices of flange or suspension mounting to fit a specific application
- Extremely sensitive indication and very economical
- Magnetic linkage makes this simple explosion-proof diaphragm switch the most rugged and reliable level control for a variety of products

APPLICATIONS

- Mining
- Food and beverage
- Silos
- Hoppers

MOUNTING SELECTION

A choice of either suspension or flange mounting is available to match your application. Flange mounting is the best choice for control of low or intermediate level in vessels containing granular product that does not “bridge”, “rathole”, or otherwise build up on vessel walls. Choose suspension mounting for high level in vessels and for better operation with “bridging” product. ❶

Note: The mounting configuration is represented by the letter “S” for suspension or “F” for flange which is the second digit in the part number. ❷

SPECIFICATIONS

Service: Compatible powder or bulk solids.

Wetted Materials: Mounting Flange: See model chart. Aluminum or 304 SS; Diaphragm: See model chart. Urethane, Buna-N, PTFE, silicone rubber, polyester, fluoroelastomers, white Buna-N (food grade), or EPDM.

Temperature Limits: Depends on diaphragm material, see model chart. Standard switch: -40 to 185°F (-40 to 85°C); High temperature switch: -40 to 350°F (-40 to 176°C).

Pressure Limit: 60 psig (4.14 bar).

Enclosure Rating: General purpose or weatherproof and explosion-proof. See model chart.

Switch Type: See model chart.

Electrical Rating: See model chart.

Electrical Connections: 18 gage solid core, 600 volt TEW 105°C, style 1015. Epoxy sealed at conduit entrance. 12” (304.8 mm) long.

Conduit Connection: 1/2” female NPT.

Process Connection: For flanged models standard is 8-3/8” (212.725 mm) diameter bolt hole circle.

Mounting Orientation: Flange mount or suspend depending on model.

Set Point Adjustment: Internal screw.

Options: Suspension kits and flange adapter rings.

Weight: 7 lb (3.18 kg).

Agency Approvals: CSA and UL.

DIAPHRAGM SELECTION

A wide variety of diaphragms are available to match product bulk density, flowability, abrasiveness and temperature requirements while providing maximum sensitivity. The best choice for vessels subject to pressure or vacuum is “breathable” fabric (P Series), requiring no venting. Non-porous elastomer (G Series) type diaphragms are the best choice for more abrasive product and broader temperature range applications. Venting is always required with the G series and if used in pressurized vessels, venting to the tank atmosphere is required to allow pressure equalization. A slide rule “Diaphragm Selector” is available from the factory to help you choose the diaphragm best suited to your application.

❶ Suspension and Flange Mounting Kits: See page 265 (Ultra Mag™)

❷ Part Number: See page 265 (Ultra Mag™)

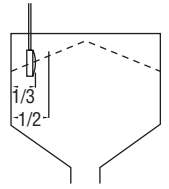
EXPLOSION-PROOF LEVEL SWITCHES FOR POWDER & BULK SOLIDS

DIAPHRAGM SELECTION GUIDE			
Product	Suggested Diaphragm*	Product	Suggested Diaphragm*
Abrasive	3D	Polypropylene Powder	7A
Aggregate	3D	Polypropylene Resin	17
Alumina	3D	Polystyrene Beads	3D
Ash, Dry	3D	Pot Ash	3D
Baking Powder	7B	Powdered Metal	3D
Baking Soda	7B	Powdered Ore	3D
Barite	3D	PVC Powder	7A
Bark, Ground	6G	PVC Resin	17
Barley, Ground or Meal	17	Rice	17
Barley, Whole	4B	Rye	3D
Beans, Edible	4B	Salt	3D
Bentonite	3D	Sand, Dry	3D
Bond, Foundry	17	Sand, Dry Silica	3D
Carbon Black	7A	Sand, Foundry Prepared	5A
Cement, Klinker	8A	Sand, Shake Out	3D
Cement, Portland	4B	Sawdust, Dry	6G
Chips, Hogged Fuel	6G	Sea Coal	3D
Coal	3D	Sesame Seed	3D
Compost	5A	Shale, Crushed	3D
Core Sand, Foundry	3D	Silica, Flour	3D
Corn, Shelled	8A	Sludge, Sewage Dried	1A
Diatomaceous Earth	7A	Sludge, Sewage, Ground	1A
Drill Mud	3D	Soda Ash	3D
Flour	7B	Soybeans, Cracked	3D
Fly Ash	3D	Soybean, Flake	7A
Glass Batch	3D	Soybean, Flour	7A
Gravel	3D	Soybean Meal	3D
Iron Ore, Crushed	3D	Soybean, Whole	3D
Kaolin Clay	3D	Sugar Beets, Whole	6H
Lime, Hydrated	5A	Sugar Refined	7B
Lime, Stone	3D	Sunflower Seed	7A
Oats	4B	Taconite Pellets	3D
Peanuts in Shell	7A	Talcum Powder	3D
Peanuts, Shelled	3D	Walnut Shells, Crushed	3D
Perlite	7A	Wheat	8A
Phosphate, Rock	3D	Wheat, Wet	5A
Polyethylene Powder	7A	Wood, Chips	6G
Polyethylene Resin	17	Wood, Dust	6G
Polypropylene Fluff	7A		

*Diaphragm codes become 4th and 5th characters in model number

SUSPENSION MOUNTING

Suspension mounting is normally used for high level monitoring in vessels. For product over 20 lb/ft³, the level switch (diaphragm face) should be located about 1/3 of the distance from the vessel wall to the point of entry of the product. For product less than 20 lb/ft³, the unit should be located closer to the point of entry of the product, about 1/2 the distance from the vessel wall to the point of entry. Pressure required to depress the diaphragm and trip the switch is in the range of 5 to 15 oz in the horizontal direction (perpendicular to the diaphragm). Suspension mounting provides the easiest vertical adjustment capability, greatest sensitivity and best maintenance conditions.



SUSPENSION ASSEMBLY KITS

Pre-assembled kits are available from the factory, or you can build your own kits using standard pipe fittings shown in our Proximity Bill of Materials (Form No. 101). Pipes and fittings are normally galvanized steel, but aluminum and SS pipes and fittings are available. Units are secured to a steel cover plate that rests on a rectangular steel flange welded into the top of the vessel. Aluminum and stainless coverplates and flanges are also available. Standard 48" L x 1" pipe provides working depth (WD) up to 48". Longer pipe (to provide greater WD) is available. GS Series switches have upper (L1 = 28" standard) and lower (L2 = 20" standard) 1" pipes, with a tee (for stilling pot) in between. A stilling pot is required to equalize pressure and keep dirt from building up behind the diaphragm. PS series require a 1/2" conduit in 1" suspension pipe for explosion-proof applications. The 1/2" conduit (56" standard length) is a standard part of the GS series assembly.

MODEL CHART - ALUMINUM FLANGE ADAPTER RINGS

Model	Tank Outside Diameter	Model	Tank Outside Diameter
126-009	15"	126-016	84"
126-010	30"	126-017	96"
126-011	36"	126-018	10"
126-012	42"	126-019	12"
126-013	48"	126-020	14"
126-014	60"	126-021	24"
126-015	72"		

MODEL CHART - "P" AND "G" SERIES SUSPENSION ASSEMBLY KITS

Model	Description
901-409	"P" Series suspension assembly includes 1/2" pipe (56" std length), 1" pipe (48" std length), 1" pipe coupling, 1-1/2 NPT strain relief on 1" pipe. Galvanized mild steel pipe, explosion proof, standard.
901-412	"G" Series suspension assembly includes 1/2" pipe (56" std length), watertight strain relief and 1" coupling, upper 1" pipe (28" std length), lower 1" pipe (20" std length), strain relief with 1-1/2" NPT, 1"x1"x1" Tee, 1" street ell and 1" pipe-4" long stilling pot. Galvanized steel pipe, explosion proof, standard.

Note: Specials include aluminum or stainless steel assemblies. Flange port and cover assemblies are sold separately. Consult factory for details.

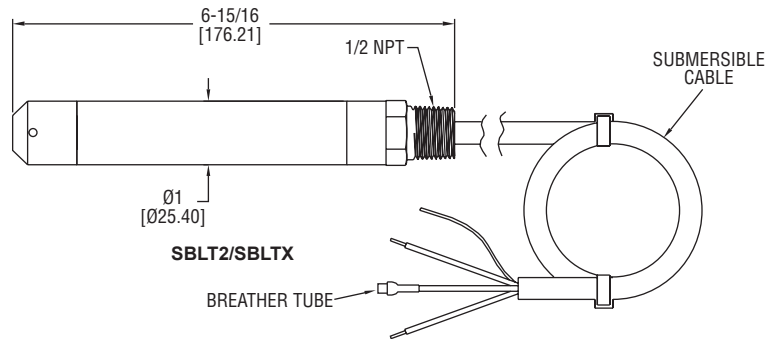
MODEL CHART									
Example	E	-X	-G	-S	-D	-3D	-A	E-X-G-S-D-3D-A*	
Certification 1	E							Explosion-proof ultra mag™ level switches	
Certification 2		EX						Explosion-proof (UL & CSA) Class I, Div I & II, Groups C & D; Class II, Div I & II, Groups E, F, & G Explosion-proof (CSA) Class II, Div I & II, Groups F & G General purpose (no code)	
Basic Magnetic Pressure Sensing Series			G					Elastomeric diaphragm-venting required*. (Diaphragms 1A - 8A) Breathable fabric diaphragm-no venting required. (Diaphragms 16 & 17 only)	
Mounting (Top = Suspension/ Side = Flanged)				S				Suspended (G series require suspension vent fittings)* Subtract 10 lbs./cu. ft.-greater sensitivity Flanged, aluminum standard Flanged, 304 SS	
Housing Material					D			Aluminum Aluminum, anodized Aluminum, epoxy coated	
Diaphragm Material (Temperature) (Bulk Density)						3D		Urethane, .031" thick, (10 to 150°F), (> 30 lb/ft ³) Urethane, orange, .062" thick, (10 to 150°F), (> 90 lb/ft ³) Buna-N, black, .020" thick, (-20 to 212°F), (20 to 90 lb/ft ³) 5A PTFE/glass on silicone rubber, .024" thick, (-40 to 350°F), (> 35 lb/ft ³) 6D Silicone rubber, gray, .062" thick, (-40 to 350°F), (15 to 30 lb/ft ³) 6E Silicone rubber on glass, red, .032" thick, (-40 to 350°F), (> 90 lb/ft ³) 7A "6C" w/urethane overlay, (-40 to 350°F), (wood chips diaphragm with "A2") 7B Silicone rubber on glass (White), .015" thick, (-40 to 350°F), (5 to 40 lb/ft ³) 8A Buna-N (food applications-white), .060" thick, (-20 to 212°F), (30 to 90 lb/ft ³) 16 EPDM, black, .036" thick, (-40 to 275°F), (40 to 90 lb/ft ³) 17 Polyester filter fabric, white, 150 micron permeability, (-30 to 275°F), (30 to 90 lb/ft ³) Polyester nitex, white, 15 micron permeability (-30 to 275°F), (30 to 90 lb/ft ³)	
Switch Type							A	Standard, SPDT, 15 A @ 125, 250 VAC T High temp, SPDT, 5 A @ 125, 250 VAC; 24 VDC** V High vibration, SPDT, 15 A @ 125, 250 VAC G Gold contacts, SPDT, 1 A @ 125 VAC, 1/2 A @ 24 VDC	
Special Controls							A2	Wood chip control (with "6G" diaphragm only) A3 High sensitivity actuator (for very light product)	

*GS - G series suspended controls require suspension vent fittings. **Non-UL/CSA listed

Note: The "EX" prefix must be added to the 6-digit model number for "explosion-proof standard". General purpose units do not require the "EX" or other prefix.

SUBMERSIBLE LEVEL TRANSMITTERS

Perfect for Ground Water and Wells, Lightning Protected



Scan here
to watch
product video

The **SERIES SBLT2 & SBLTX** Submersible Level Transmitters are manufactured for years of trouble free service. These series measure the height of liquid above the position in the tank referenced to atmospheric pressure. The transmitter consists of a piezoresistive sensing element, encased in a 316 SS housing.

FEATURES/BENEFITS

- Slim design for tight applications with bullet nose design which protects the diaphragm from damage
- Incorporates lightning and surge protection utilizing dual arrestor technology, grounded to case, eliminating both power supply surges and lightning ground strike transients (surge protection is not guaranteed and is not covered by warranty) on SBLT2 models
- Maintenance free filter eliminates particulate or water droplets from entering the transducer
- UL approved intrinsically safe on SBLTX models for use in hazardous locations when used with proper barrier
- 270 lb tensile strength shielded and vented cable
- Excellent chemical compatibility
- NPT connection allows the unit to be rigidly installed in a pipe/conduit, or the addition of a A-625 hanging loop for attaching a chain for pulling out of the installation

APPLICATIONS

- Well monitoring
- Ground water monitoring
- Environmental remediation
- Surface water monitoring
- Down hole
- Water tanks

SPECIFICATIONS

Service: Compatible liquids.
Wetted Materials: 316 SS, 316L SS, epoxy; Cable: Polyurethane or ETFE; Bullet nose: PVC.
Accuracy: ±0.25% FS.
Temperature Limit: SBLT2: 0 to 150°F (-18 to 66°C); SBLTX: 0 to 176°F (-18 to 80°C).
Compensated Temperature Range: SBLT2: 0 to 140°F (-18 to 60°C); SBLTX: 0 to 176°F (-18 to 80°C).
Thermal Effect: ±0.02% FS/°F.
Pressure Limit: 2X FS.
Power Requirement: SBLT2: 13 to 30 VDC; SBLTX: 10 to 28 VDC.
Output Signal: 4 to 20 mA DC, 2-wire.
Response Time: 50 ms.
Max. Loop Resistance: 900 Ω at 30 VDC.
Electrical Connections: Wire pigtail.
Mounting Orientation: Suspended in tank below level being measured.
Electrical Protection: SBLT2: Lightning and surge protection; SBLTX: None.
Weight: 2.2 lb (1.0 kg).
Agency Approvals: SBLT2: None; SBLTX: CE, cULus intrinsically safe for Class I, Div. 1, Groups A, B, C, D; Class II, Div. 1, Groups E, F, G; Class III Div. 1. (according to control drawing 01-700797-00)*.

*Up to 196 ft (59.5 m) for ETFE cable; Up to 333 ft (101.5 m) for polyurethane cable

MODEL CHART

Model	Range psi* (ft w.c.) [m w.c.]	Cable Length ft (m)	Cable Type
SBLT2-5-40-ETFE	5 (11.54) [3.52]	40 (12.2)	ETFE
SBLT2-10-40-ETFE	10 (23.09) [7.04]	40 (12.2)	ETFE
SBLT2-15-60-ETFE	15 (34.63) [10.56]	60 (18.3)	ETFE
SBLT2-20-60-ETFE	20 (46.18) [14.08]	60 (18.3)	ETFE
SBLT2-5-40	5 (11.54) [3.52]	40 (12.2)	Polyurethane
SBLT2-10-40	10 (23.09) [7.04]	40 (12.2)	Polyurethane
SBLT2-15-60	15 (34.63) [10.56]	60 (18.3)	Polyurethane
SBLT2-20-60	20 (46.18) [14.08]	60 (18.3)	Polyurethane
SBLT2-3.5M-5M	4.97 (11.48) [3.5]	16.40 (5)	Polyurethane
SBLT2-5M-10M	14.21 (32.81) [10]	32.81 (10)	Polyurethane
SBLT2-10M-18M	25.58 (59.06) [18]	59.06 (18)	Polyurethane

*Configured ranges below 5 psi (11.54 ft w.c.) (3.52 m w.c.) ±1% FS accuracy

Note: For intrinsically safe approval, change model number from SBLT2 to SBLTX. For custom ranges or cable lengths, contact the website for pricing.

ACCESSORIES

Model	Description
MTL5041	Intrinsically safe galvanic isolator
MTL7706	Intrinsically safe zener barrier
A-297	Dessicant filter for vent tube. Removes humidity for protection of the sensor. Changes color to show saturation
A-625	316 SS cable hanger use with NPT option for attaching chain for easy pulling out of application



A-297

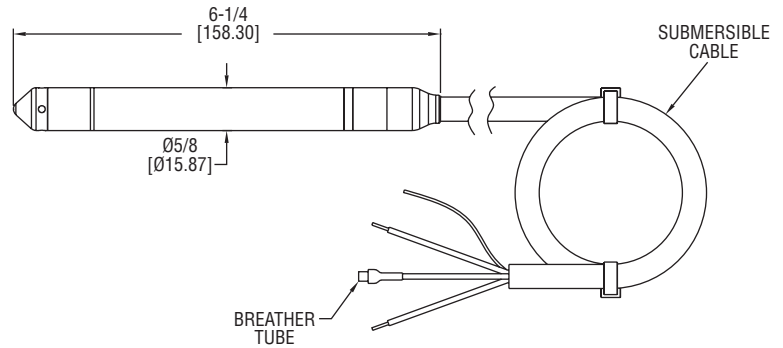
A-625

MINIATURE SUBMERSIBLE LEVEL TRANSMITTER

Only 0.63" (16 mm) in Diameter, Perfect for Wells and Boreholes, Up to ±0.10% Accuracy, Low Power Models for Telemetry Systems



NEW!
Low Power Models



Scan here to watch product video

The **SERIES MBLT** Miniature Submersible Level Transmitters measure the height of liquid above the position in the tank referenced to atmospheric pressure. The transmitter consists of a piezoresistive sensing element, encased in a 0.63" (16 mm) diameter 316 SS housing.

FEATURES/BENEFITS

- Slender 0.63" (16 mm) diameter design fits in narrow openings
- Constructed for years of trouble free service with welded 316 SS body and 316 SS nose cap
- Body top is 316 SS and tapered to prevent damage or snares when pulling the unit out of the installation
- ±0.10% or ±0.25% FS accuracy output is better than BFSL or BSL rated outputs used by most competitors
- Maintenance free filter eliminates particulate or water droplets from entering the transducer
- Comes with a choice of polyether polyurethane or ETFE cable materials for excellent chemical compatibility
- Incorporates lightning and surge protection, eliminating both power supply surges and lightning ground strike transients (surge protection is not guaranteed and is not covered by warranty)

APPLICATIONS

- Ballast tanks
- Ground water monitoring
- Surface water monitoring
- Dewatering
- Down hole
- Remote telemetry
- Remote flood monitoring
- Narrow conduit or pipe installations
- Remediation and environmental monitoring

SPECIFICATIONS

<p>Service: Compatible liquids. Wetted Materials: Body and nose: 316 SS; Cable: Polyether polyurethane or ETFE; Seals: Fluoroelastomer; Label: Polyolefin. Accuracy: ±0.25% or ±0.10% FS**. Temperature Limits: -4 to 176°F (-20 to 80°C). Compensated Temperature Limits: 0.25%: (0 to 70°C); 0.10%: (0 to 60°C). Thermal Effect: 0.25%: ±0.45% FS TEB; 0.10%: ±0.30% FS TEB. Pressure Limit: 2x FS. Power Requirements: Current output: 10 to 33 VDC; Voltage output: 8 to 33 VDC; 5 mA max (no load).</p>	<p>Output Signal: 4 to 20 mA DC 2-wire or 0 to 5 V* (model depending). Response Time: < 50 ms. Max Loop Resistance: 1000 Ω @ 30 VDC (current output). Voltage Output Impedance: 10 Ω + 4.4 Ω / 100' cable (voltage output). Electrical Connections: Wire pigtail. Mounting Connection: Suspended below point being monitored. Electrical Protection: Surge/lightning protected per EN61000-4-5, Class 5. Weight: Body: 0.235 lb (0.107 kg); Cable: 0.037 lb (0.017 kg) per foot. Agency Approvals: CE.</p>
---	--

*Consult factory for additional outputs.
 **4.3 to 4.9 psi (10 to 11.54 in w.c.) configured ranges ±0.30% FS accuracy

OPTIONS

For custom ranges, cable lengths, or ETFE cable, contact the website.

ACCESSORY

Model	Description
A-297	Dessicant filter for vent tube. Removes humidity for protection of the sensor. Changes color to show saturation



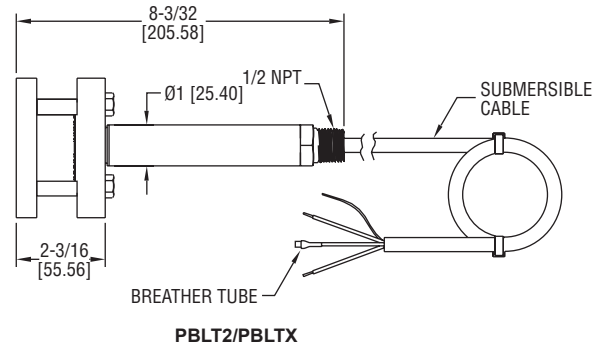
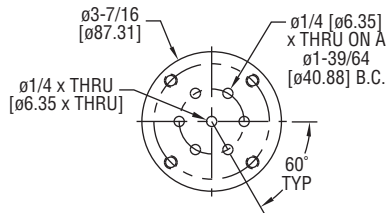
A-297

MODEL CHART					
4 to 20 mA output Model ±0.10%	4 to 20 mA output Model ±0.25%**	0 to 5 V output Model ±0.25%**	Range psi (' w.c.) [m w.c.]	Cable Length	Cable Type
-	MBLT-2SC-IVPP-5-40	MBLT-2SC-VVPP-5-40	5 (11.54) [3.52]	40 ft	Polyether polyurethane
-	MBLT-2SC-IVPF-15-40	MBLT-2SC-VVPF-15-40	6.50 (15) [4.57]	40 ft	Polyether polyurethane
-	MBLT-2SC-IVPM-5-12.2	MBLT-2SC-VVPM-5-12.2	7.10 (16.40) [5]	12.2 m	Polyether polyurethane
-	MBLT-2SC-IVPM-10-30**	MBLT-2SC-VVPM-10-30**	14.22 (32.84) [10]	9.14 m	Polyether polyurethane
MBLT-2SB-IVPF-20-40	MBLT-2SC-IVPF-20-40	MBLT-2SC-VVPF-20-40	8.66 (20) [6.10]	40 ft	Polyether polyurethane
MBLT-2SB-IVPF-30-50	MBLT-2SC-IVPF-30-50	MBLT-2SC-VVPF-30-50	12.99 (30) [9.14]	50 ft	Polyether polyurethane
MBLT-2SB-IVPM-10-15.2	MBLT-2SC-IVPM-10-15.2	MBLT-2SC-VVPM-10-15.2	14.21 (32.81) [10]	15.2 m	Polyether polyurethane
MBLT-2SB-IVPF-50-70	MBLT-2SC-IVPF-50-70	MBLT-2SC-VVPF-50-70	21.65 (50) [15.24]	70 ft	Polyether polyurethane
MBLT-2SB-IVPM-20-26	MBLT-2SC-IVPM-20-26	MBLT-2SC-VVPM-20-26	28.42 (65.62) [20]	26 m	Polyether polyurethane
MBLT-2SB-IVPM-30-36	MBLT-2SC-IVPM-30-36	MBLT-2SC-VVPM-30-36	42.63 (98.43) [30]	36 m	Polyether polyurethane
MBLT-2SB-IVPF-100-120	MBLT-2SC-IVPF-100-120	MBLT-2SC-VVPF-100-120	43.31 (100) [30.48]	120 ft	Polyether polyurethane
MBLT-2SB-IVPM-40-46	MBLT-2SC-IVPM-40-46	MBLT-2SC-VVPM-40-46	56.83 (131.23) [40]	46 m	Polyether polyurethane
MBLT-2SB-IVPF-150-170	MBLT-2SC-IVPF-150-170	MBLT-2SC-VVPF-150-170	64.96 (150) [45.72]	170 ft	Polyether polyurethane
MBLT-2SB-IVPM-60-66	MBLT-2SC-IVPM-60-66	MBLT-2SC-VVPM-60-66	85.25 (196.85) [60]	66 m	Polyether polyurethane
MBLT-2SB-IVPF-200-220	MBLT-2SC-IVPF-200-220	MBLT-2SC-VVPF-200-220	86.62 (200) [60.96]	220 ft	Polyether polyurethane
MBLT-2SB-IVPF-350-370	MBLT-2SC-IVPF-350-370	MBLT-2SC-VVPF-350-370	151.58 (350) [106.68]	370 ft	Polyether polyurethane
MBLT-2SB-IVPM-100-106	MBLT-2SC-IVPM-100-106	MBLT-2SC-VVPM-100-106	142.09 (328.08) [100]	106 m	Polyether polyurethane
MBLT-2SB-IVPM-200-206	MBLT-2SC-IVPM-200-206	MBLT-2SC-VVPM-200-206	284.18 (656.17) [200]	206 m	Polyether polyurethane
MBLT-2SB-IVPF-690-710	MBLT-2SC-IVPF-690-710	MBLT-2SC-VVPF-690-710	298.83 (690) [210.31]	710 ft	Polyether polyurethane

**4.3 to 4.9 psi (10 to 11.54 in w.c.) configured ranges ±0.30% FS accuracy

SUBMERSIBLE LEVEL TRANSMITTERS

Perfect for Sludge and Slurries, Lightning Protected



Scan here
to watch
product video

The **SERIES PBLT2 & PBLTX** Submersible Level Transmitters are manufactured for years of trouble free service in the harshest applications. These Series measure the height of liquid above the position in the tank referenced to atmospheric pressure. The transmitter consists of a piezoresistive sensing element, encased in a 316 SS housing with cage and large diameter 316 SS diaphragm seal.

FEATURES/BENEFITS

- Durable cage design with large diameter 316 SS diaphragm seal that is non-clogging and damage resistant to floating solids
- Incorporates lightning and surge protection utilizing dual arrestor technology, grounded to case, eliminating both power supply surges and lightning ground strike transients (surge protection is not guaranteed and is not covered by warranty) on PBLT2 models
- Maintenance free filter eliminates particulate or water droplets from entering the transducer
- UL approved intrinsically safe on PBLTX models for use in hazardous locations when used with proper barrier
- 270 lb tensile strength shielded and vented cable
- Excellent chemical compatibility
- NPT connection allows the unit to be rigidly installed in a pipe/conduit, or the addition of a A-625 hanging loop for attaching a chain for pulling out of the installation

APPLICATIONS

- Wastewater
- Sludge pits, clarifiers, digesters
- Alum tanks
- Chemical storage tanks
- Oil tanks
- Lime slurry
- Sumps
- Reservoirs

MODEL CHART			
Model	Range psi* (ft w.c.) [m w.c.]	Cable Length ft (m)	Cable Type
PBLT2-5-40	5 (11.54) [3.52]	40 (12.2)	ETFE
PBLT2-10-40	10 (23.09) [7.04]	40 (12.2)	ETFE
PBLT2-15-60	15 (34.63) [10.56]	60 (18.3)	ETFE
PBLT2-20-60	20 (46.18) [14.08]	60 (18.3)	ETFE
PBLT2-5-40-PU	5 (11.54) [3.52]	40 (12.2)	Polyurethane
PBLT2-10-40-PU	10 (23.09) [7.04]	40 (12.2)	Polyurethane
PBLT2-15-60-PU	15 (34.63) [10.56]	60 (18.3)	Polyurethane
PBLT2-20-60-PU	20 (46.18) [14.08]	60 (18.3)	Polyurethane
PBLT2-3.5M-5M-PU	4.97 (11.48) [3.5]	16.40 (5)	Polyurethane
PBLT2-5M-10M-PU	14.21 (32.81) [10]	32.81 (10)	Polyurethane
PBLT2-10M-18M-PU	25.58 (59.06) [18]	59.06 (18)	Polyurethane

*Configured ranges below 5 psi (11.54 ft w.c.) (3.52 m w.c.) ±1% FS accuracy

Note: For intrinsically safe approval, change model number from PBLT2 to PBLTX. For custom ranges or cable lengths, contact the website for pricing.

SPECIFICATIONS

- Service:** Compatible liquids.
- Wetted Materials:** 316 SS, 316L SS, epoxy, cable: ETFE or polyurethane.
- Accuracy:** ±0.25% FS (includes linearity, hysteresis, and repeatability).
- Temperature Limit:** PBLT2: 0 to 200° F (-18 to 93°C); PBLTX: 0 to 176° F (-18 to 80°C).
- Compensated Temperature Range:** PBLT2: 0 to 180° F (-18 to 82°C); PBLTX: 0 to 176° F (-18 to 80°C).
- Thermal Effect:** ±0.02% FS/°F.
- Pressure Limit:** 2X FS.
- Power Requirement:** PBLT2: 13 to 30 VDC, PBLTX: 10 to 28 VDC.
- Output Signal:** 4 to 20 mA DC, two wire.
- Response Time:** 50 ms.
- Loop Resistance:** 900 Ω.
- Electrical Connection:** Wire pigtail.
- Mounting Orientation:** Suspended in tank below level being measured.
- Electrical Protection:** PBLT2: Lightning and surge protection, PBLTX: none.
- Weight:** 4.3 lb (2.0 kg).
- Agency Approvals:** PBLT2: None, PBLTX: CE, cULus intrinsically safe for Class I, Div. 1, Groups A, B, C, D; Class II, Div. 1, Groups E, F, G; Class III, Div. 1. (According to control drawing 01-700797-00)*.

*Up to 196 ft (59.5 m) for ETFE cable; Up to 333 ft (101.5 m) for polyurethane cable

ACCESSORIES

Model	Description
MTL5041	Intrinsically safe galvanic isolator
MTL7706	Intrinsically safe zener barrier
A-297	Dessicant filter for vent tube. Removes humidity for protection of the sensor. Changes color to show saturation
A-625	316 SS cable hanger use with NPT option for attaching chain for easy pulling out of application



A-297

A-625

FLUSH TIP SUBMERSIBLE LEVEL TRANSMITTER

Perfect for Sludge and Slurries, Lightning Protected, $\pm 0.25\%$ Accuracy



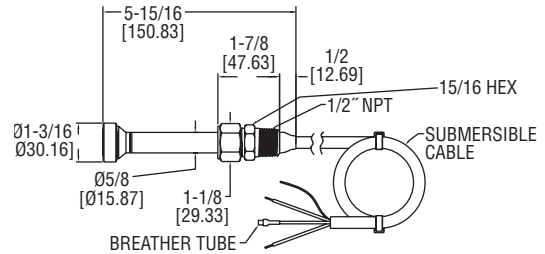
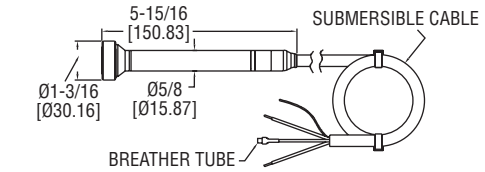
Scan here to watch product video



FBLT



FBLT with NPT Option



NPT Option

The **SERIES FBLT** Flush Submersible Level Transmitters measure the height of liquid above the position in the tank referenced to atmospheric pressure. The transmitter consists of a piezoresistive sensing element, encased in a narrow 316 SS housing with PTFE coated flush diaphragm tip.

FEATURES/BENEFITS

- Flush diaphragm tip will not clog in harsh applications
- Maintenance free filter eliminates particulate or water droplets from entering the transducer
- Comes with a choice of polyether polyurethane or ETFE cable materials for excellent chemical compatibility
- Incorporates lightning and surge protection, eliminating both power supply surges and lightning ground strike transients (surge protection is not guaranteed and is not covered by warranty)
- Narrow body design allows the FBLT to fit into stilling wells and narrow installations
- Robust FKM fluoroelastomer diaphragm that is PTFE coated for a stick resistant surface holds up in aggressive fluids
- Diaphragm cavity is filled with a gel that will not leak out versus oil or grease
- Optional NPT connection allows the unit to be rigidly installed in a pipe/conduit, or the addition of the A-625 hanging loop for attaching a chain for pulling out of the installation

APPLICATIONS

- Sewage lift stations
- Industrial slurries
- Industrial sumps
- Landfill leachate
- Reservoirs
- Sludge pits
- Oil tanks

MODEL CHART			
Model	Range psi (' w.c.) [m w.c.]	Cable Length	Cable Type
FBLT-2SC-IVPF-10-20*	4.33 (10) [3.05]	20'	Polyurethane
FBLT-2SC-IVPF-10-30*	4.33 (10) [3.05]	30'	Polyurethane
FBLT-2SC-IVPP-5-40	5 (11.54) [3.52]	40'	Polyurethane
FBLT-2SC-IVPF-10-40*	4.33 (10) [3.05]	40'	Polyurethane
FBLT-2SC-IVPF-15-40	6.50 (15) [4.57]	40'	Polyurethane
FBLT-2SC-IVPF-20-40	8.66 (20) [6.10]	40'	Polyurethane
FBLT-2SC-IVPF-30-50	12.99 (30) [9.14]	50'	Polyurethane
FBLT-2SC-IVPE-5-40	5 (11.54) [3.52]	40'	ETFE
FBLT-2SC-IVPE-15-40	2.82 (15) [4.57]	40'	ETFE
FBLT-2SC-IVPE-20-40	8.66 (20) [6.10]	40'	ETFE
FBLT-2SC-IVPE-30-50	12.99 (30) [9.14]	50'	ETFE
FBLT-2SC-IVPE-10-40	10 (32.09) [7.04]	40'	ETFE
FBLT-2SC-IVPE-15-60	15 (34.63) [10.56]	60'	ETFE
FBLT-2SC-IVPP-10-40	10 (32.09) [7.04]	40'	Polyurethane
FBLT-2SC-IVPP-10-60	10 (32.09) [7.04]	60'	Polyurethane
FBLT-2SC-IVPP-15-60	15 (34.63) [10.56]	60'	Polyurethane
FBLT-2SC-IVPP-35-60	15.16 (35) [10.67]	60'	Polyurethane
FBLT-2SC-IVPP-20-60	20 (196.85) [60]	60'	Polyurethane

*4.3 to 4.9 psi (10 to 11.54 in w.c.) configured ranges $\pm 0.30\%$ FS accuracy

Note: Cables can be ordered shorter or longer in polyurethane or ETFE. Other ranges are available and can be ordered in psi, ft w.c., or m w.c. Please see website.

SPECIFICATIONS

Service: Compatible liquids.
Wetted Materials: Body: 316 SS; Cable: Polyether polyurethane or ETFE; Diaphragm: PTFE coated FKM fluoroelastomer; Label: Polyethylene polyamid.
Accuracy: $\pm 0.25\%$ FS (10' w.c. range is $\pm 0.30\%$ FS).
Temperature Limits: -4 to 176°F (-20 to 80°C).
Compensated Temperature Limits: 32 to 140°F (0 to 60°C).
Thermal Effect: $\pm 0.0075\%/^{\circ}\text{F}$ ($\pm 0.0135\%/^{\circ}\text{C}$).
Pressure Limit: 2x range.
Power Requirements: 10 to 33 VDC.
Output Signal: 4 to 20 mA DC 2-wire.
Response Time: < 50 ms.
Max Loop Resistance: 1000 Ω @ 30 VDC.
Electrical Connections: Wire pigtail.
Mounting Connection: Suspended below point being monitored.
Electrical Protection: Surge/lightning protected per EN61000-4-5, Class 5.
Weight: Body: 0.3 lb (0.136 kg); Cable: 0.037 lb (0.009 kg) per foot.
Agency Approvals: CE.

OPTIONS

To order add suffix:	Description
-NPT	1/2" NPT connection to connect conduit, piping, or cable hanger. All 316 SS
-FC	Factory calibration certificate

Example: FBLT-2SC-IVPF-20-40-FC

ACCESSORIES

Model	Description
A-297	Dessicant filter for vent tube. Removes humidity for protection of the sensor. Changes color to show saturation
A-625	316 SS cable hanger use with NPT option for attaching chain for easy pulling out of application



A-297

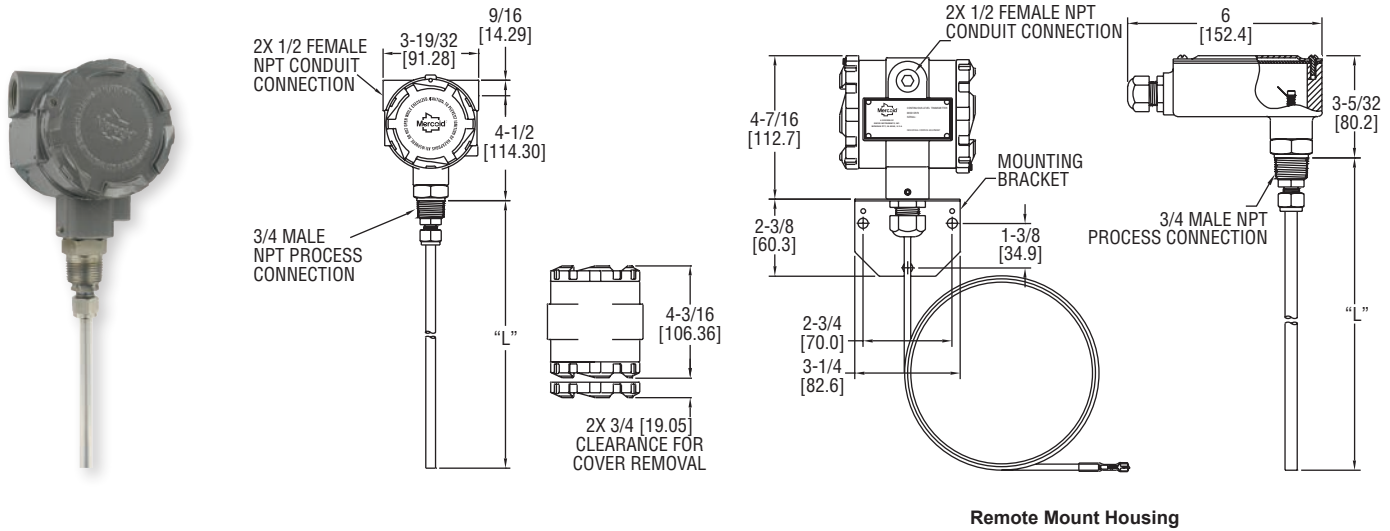


A-625



CAPACITIVE LEVEL TRANSMITTER

Powder, Bulk or Liquids



The **SERIES CRF2** Capacitive Level Transmitters provide a two-wire 4 to 20 mA output to indicate level of liquids, powders and bulk materials. The CRF2 senses capacitance changes resulting from the height of the material in the tank between the probe and the tank wall. In non-metallic tanks or tanks that do not have the wall parallel to the probe a ground reference must be used.

FEATURES/BENEFITS

- State of the art sensing technology, uses impulse RF admittance measurement which provides excellent accuracy and stability
- Comes with either a rigid or flexible probe depending on application installation need and probe length required
- Easy push button calibration of zero and span
- Any length probe can be customer ordered for any specific application
- FEP covered probe is ideal for use with corrosive media
- Immune to external RF sources like walkie-talkies and cell phones as well as minimal interference with radio communication or other electronic systems

APPLICATIONS

- Pulp and paper processing
- Chemical processing
- Food and beverage
- Aggregates
- Plastics
- Mining

SPECIFICATIONS

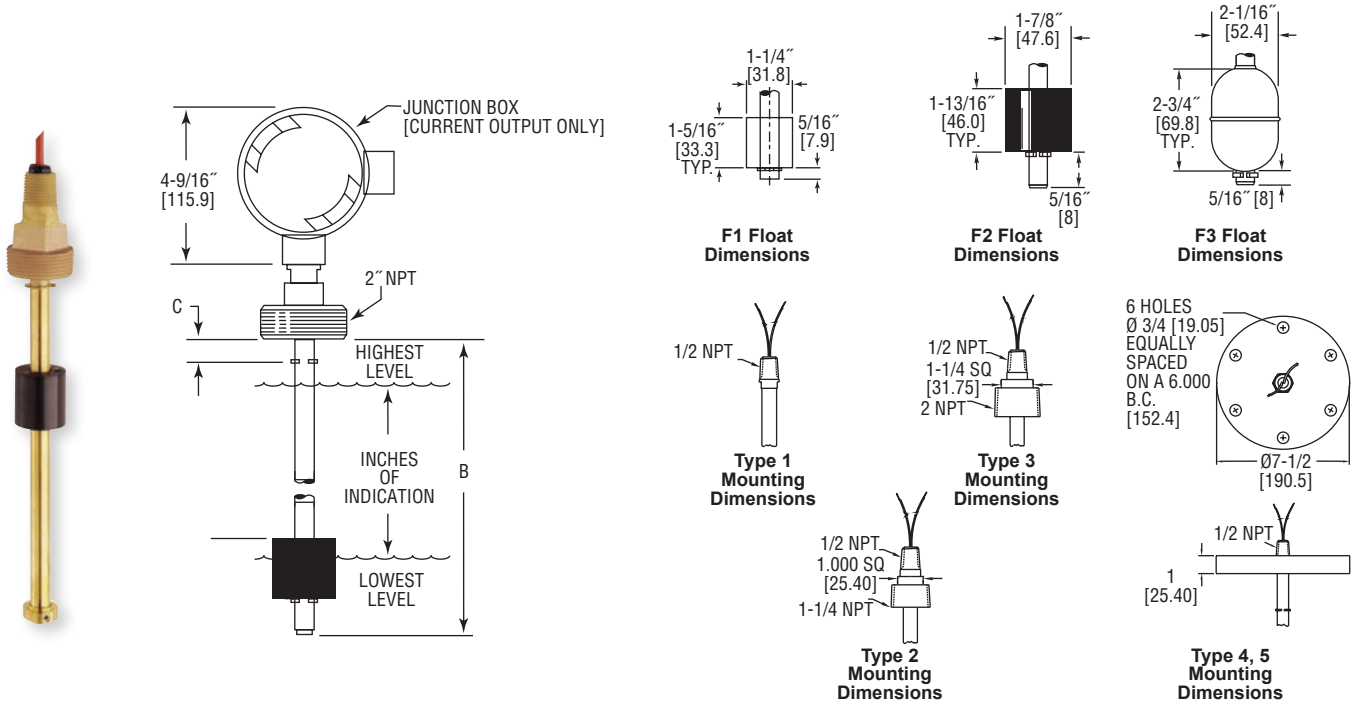
Service: Liquids, powders, and bulk materials compatible with wetted materials.
Wetted Materials: Standard: Rod/cable: FEP, Connection: 316 SS; Ground option: Rod/cable and connection: 316 SS; Cable spacers: PVC; Flange option: Material of flange.
Capacitance Range: 0 to 2000 pF.
Sensitivity: 0.15 pF.
Minimum Span: 8 pF.
Accuracy: ±0.5 pF or ±0.25% of span, whichever is greater.
Repeatability: ±0.25 pF or ±0.1% of span, whichever is greater.
Temperature Limits: Ambient: -40 to 185°F (-40 to 85°C); Process: -40 to 250°F (-40 to 121°C).
Pressure Limit: 100 psi (6.9 bar).
Power Requirements: 12 to 35 VDC.
Output Signal: 4 to 20 mA or 20 to 4 mA, 2 wire.
Response Time: 0.5 s.
Electrical Connection: Screw terminal.
Conduit Connection: 1/2" NPT female.
Process Connection: Standard: 3/4" NPT male; Optional: See model chart.
Enclosure Rating: NEMA 4X (IP66) weather tight/corrosion resistant.
Spark/Static Protection: 10⁶ Ω dissipation resistance with spark gap. Surge current to 100 A max.
Calibration: Zero, span, 4 mA, 20 mA.
Mounting Orientation: Vertical.
Weight: 6 ft rod type: 3.6 lb (1.63 kg).

MODEL CHART

Example	CRF2	-W	R	0	1T	-048	-M20	CRF2-WR01T-048-M20
Series	CRF2							Capacitive level transmitter
Enclosure		W						Weatherproof Remote mount weatherproof housing
Probe Type			R					Rod Cable
Ground				0				None included Attached ground rod (3" or 4" flange process connection types only) Unattached ground rod
Process Connection					1T			3/4" NPT male
					2T			1" NPT male
					3T			1-1/2" NPT male
					1B			3/4" BSPT
					2B			1" BSPT
					3B			1-1/2" BSPT
					1S			1" sanitary clamp
					2S			1-1/2" sanitary clamp
					3S			2" sanitary clamp
					1F			2" 150# flange, 316 SS
					2F			2" 150# flange, PVC
					3F			3" 150# flange, 316 SS
					4F			3" 150# flange, PVC
					5F			4" 150# flange, 316 SS
					6F			4" 150# flange, PVC
Probe Length						XXX		Insertion length in inches. Example 048 is 48" length. Rod type min: 24", max: 144"; Cable type min: 24", max: 360"
Options							M20	M20 conduit connection with cable gland
Example Models: CRF2-WR01T-072; CRF2-WR01T-096								

CONTINUOUS LEVEL TRANSMITTER

Customize To Fit Application, 316 SS or Buna-N Floats



The **SERIES CLT** Continuous Level Transmitter provides up to the minute tank level monitoring with a customized level transmitter. Transmitters can be configured for 4 to 20 mA or proportional voltage output, 316 SS or Buna-N stem and floats, and lengths up to 72" (183 cm).

FEATURES/BENEFITS

- Customized stem length, actuation point, distance between floats, and lead wire lengths
- 4 to 20 mA or proportional voltage output outputs continuous level indication

APPLICATIONS

- General purpose level monitoring
- Low specific gravity applications
- Gas and oil

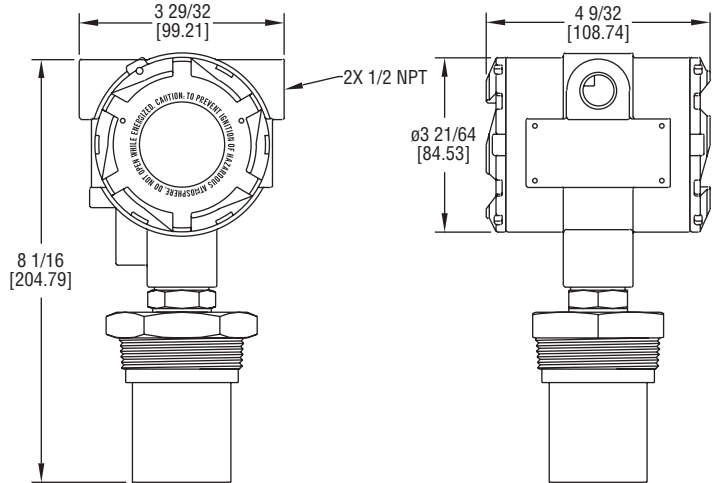
SPECIFICATIONS

Service: Compatible liquids.
Resolution: 1/4" (6.35 mm).
Temperature Limits: Buna-N floats: 180°F (82°C) in water, -40 to 230°F (-40 to 110°C) in oil; SS floats: -40 to 230°F (-40 to 110°C).
Pressure Limits: Buna-N floats: 150 psig (10 bar); SS floats: 300 psig (21 bar).
Power Requirements: Proportional voltage output models: 10 to 30 VDC; 4 to 20 mA output models: 10 to 40 VDC.
Loop Resistance: 1.4k Ω max.
Electrical Connections: Proportional voltage output: 24" (61 cm) free leads #22 AWG, TFE jacketed; 4 to 20 mA output: Junction box.
Enclosure Rating: 4 to 20 mA models, NEMA 4 (IP56) junction box.
Mounting Orientation: Vertical ±20°.

MODEL CHART									
Example	CLT	-V	S	5	F3	-20.25	-02.00	-25.75	CLT-VS5F3-20.25-02.00-25.75
Construction	CLT								Continuous level transmitter
Output		V	C						Voltage, proportional signal of 0 to supply voltage 4 to 20 mA (junction box provided)
Stem & Connection Material			B	S					Brass with beryllium copper stops 316 SS with SS ARMCO PH-15-7MO stops
Connection Type			1	2	3	4	5		1/2" NPT (output type V only) 1-1/4" NPT (float F1 only) 2" NPT 3" 150# flange, carbon steel (connection material S only) [max. pres. 150 psi (10.3 bar)] 3" 150# flange, 316 SS (connection material S only) [max. pres. 150 psi (10.3 bar)]
Float Type					F1	F2	F3		Material Buna-N Buna-N 316SS Min. s.g. 0.55 0.55 0.75 Max. Pressure 150 psi (10.3 bar) 150 psi (10.3 bar) 300 psi (20.7 bar) Float Factor 2.0" (50.8 mm) 2.5" (63.5 mm) 3.5" (52.4 mm)
Indication Length						00.00			Length that the unit sends an output for level, maximum is 68" (173 cm)
Top Float Stop "C" Dimension Overall							00.00		Distance from bottom of mounting connection to upper float stop, minimum is 1/4" (6.4 mm)
Length "B"								00.00	To calculate overall length, add indication length, top float, stop dimension "C", and float factor, maximum length is 72" (1.82 m)
Note: Models are built to your specifications									

ULTRASONIC LEVEL TRANSMITTER

Explosion-Proof, Mapping Software



Scan here
to watch
product video

The **SERIES ULT** Ultrasonic Level Transmitter provides non-contact measurement of liquid levels in an explosion-proof body. It is capable of measuring up to 32.8' (10 m) with a PVDF sensor and 4 to 20 mA output.

FEATURES/BENEFITS

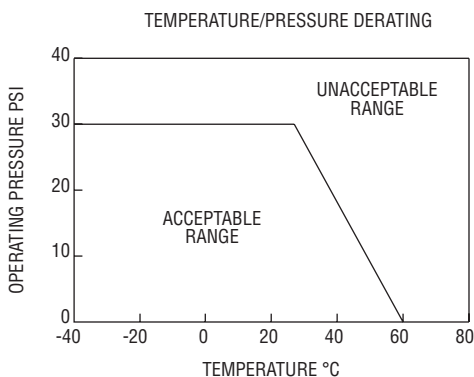
- Provides reliable, accurate, and non-contact level measurement of compatible liquids
- Non-contact technology offers no moving parts to wear, jam, corrode, or get coated like contact technologies
- Mapping software makes effective measuring surface only a 3" (76.2 mm) diameter column with no concerns of ladders, pipes, or other tank intrusions in the remaining sound cone
- FM approved explosion-proof making it ideal for use in hazardous locations
- Easy programming with 6 digit LCD display and simple menu structure
- Output range is adjustable with choices of inputting tank dimensions or by filling and emptying the tank while calibrating and it automatically and scaling to levels it senses
- Window cover allows easy viewing of display
- Fail-safe output options and diagnostic capabilities

APPLICATIONS

- Water and wastewater
- Pulp and paper processing
- Chemical processing
- Food and beverage

MODEL CHART

Model	Range
ULT-11	24.6' (7.5 m)
ULT-21	32.8' (10 m)

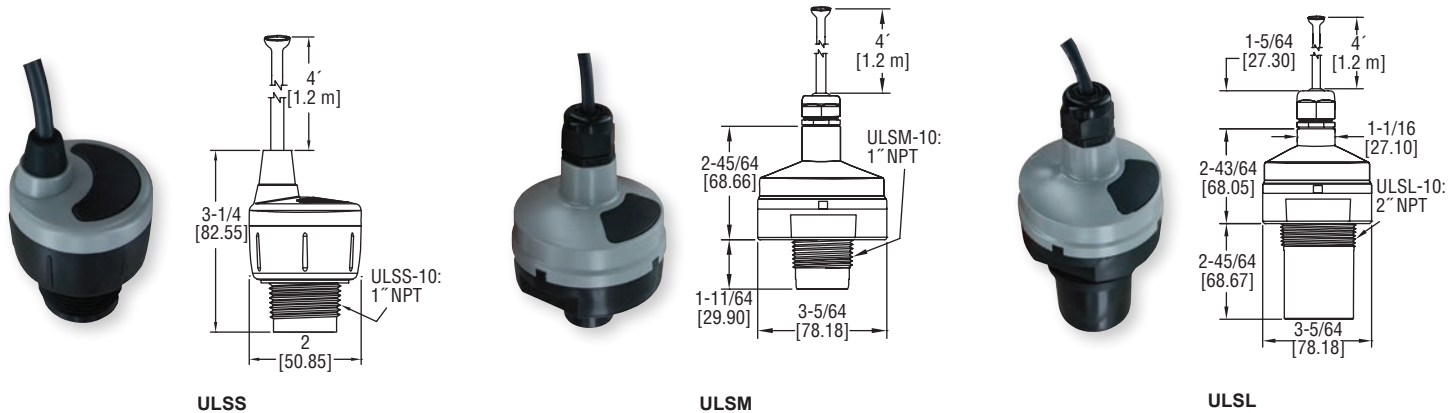


SPECIFICATIONS

Service: Compatible fluids. Not for use with powder and bulk solids.
Wetted Materials: Sensor: PVDF; Process connection: 303 SS; O-ring: Fluoroelastomer.
Ranges: 24.6' (7.5 m), 32.8' (10 m).
Accuracy: ±0.2% FS.
Resolution: 0.079" (2 mm).
Blind Zone: Under 8" (20 cm).
Beam Width: 3" (7.6 cm) diameter.
Temperature Limits: Ambient: -40 to 140°F (-40 to 60°C); Process: -4 to 140°F (-20 to 60°C).
Temperature Compensation: -40 to 140°F (-40 to 60°C).
Pressure Limits: 30 psi (2 bar) up to 25°C (77°C). Above 25°C (77°F), rating decreases 1.667 psi per 1°C increase. See chart.
Power Requirement: 18 to 28 VDC (two-wire).
Output Signal: 4 to 20 mA or 20 to 4 mA (two-wire).
Max. Loop Resistance: 250 Ω at 24 VDC.
Electrical Connections: Screw terminal.
Conduit Connection: 1/2" NPT female (two) or optional M20.
Process Connection: 2" NPT male or optional BSPT.
Enclosure Rating: Weather-proof meets NEMA 4X (IP66), explosion-proof rated Class I, Div. 1, Groups B, C, D; Class II/III, Div. 1, Groups E, F, G.
Mounting Orientation: Vertical.
Failsafe: On lost echo after 30 seconds, user selectable to 4, 20, 21, 22 mA or last signal.
Memory: Non-volatile.
Display: 6 character LCD.
Units: In, cm, ft, m, percent.
Memory: Non-volatile.
Programming: 4 button.
Weight: 4.0 lb (1.8 kg).
Agency Approvals: CE, FM.

ULTRASONIC LEVEL SENSOR

Non-Contact Transmitter, SPST Programmable Relays



Scan here to watch product video

The **SERIES ULSS** Ultrasonic Level Sensors provides non-contact, continuous ultrasonic level measurement of fluids for short range applications. It has a 4.1' (1.2 m) measuring range with a 0.125" (3 mm) accuracy.

The **SERIES ULSM** Ultrasonic Level Sensors provides non-contact, continuous ultrasonic level measurement of fluids for medium range applications. It has a 9.8' (3 m) measuring range with a $\pm 0.2\%$ of range accuracy.

The **SERIES ULSL** Ultrasonic Level Sensors provides non-contact, continuous ultrasonic level measurement of fluids for tall range applications. It has a 18' (5.5 m) measuring range with a $\pm 0.2\%$ of range accuracy.

FEATURES/BENEFITS

- Via free software, units can be programmed to transmit an output signal and operate four relays for control applications
- Provides reliable, accurate, and non-contact level measurement of compatible liquids
- Non-contact technology offers no moving parts to wear, jam, corrode, or get coated like contact technologies
- Mapping software makes effective measuring surface only a 3" (76.2 mm) diameter column with no concerns of ladders, pipes, or other tank intrusions in the remaining sound cone
- Ultrasonic technology paired with automatic temperature compensation provides accurate and reliable measurements in almost all conditions
- Fail-safe logic is easily configured to custom applications via free software removing the need for target calibration
- Full NEMA 6P submersible enclosure rating to ensure excellent product durability

APPLICATIONS

- Water and wastewater
- Pulp and paper processing
- Sump and process tanks
- Chemical processing
- Food and beverage

MODEL CHART	
Model	Range
ULSS-10	4.1' (1.25 m)
ULSM-10	9.8' (3 m)
ULSL-10	18' (5.5 m)

Note: USB adapter necessary for calibration. One adapter can program multiple units.

SPECIFICATIONS

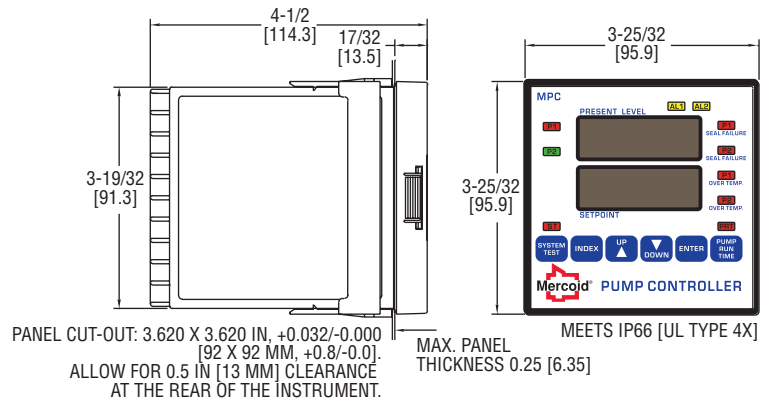
Service: Compatible fluids.
Wetted Materials: Sensor: PVDF; O-ring: FKM.
Ranges: See chart.
Accuracy: ULSS: 0.125" (3 mm); ULSM & ULSL: $\pm 0.2\%$ of range.
Resolution: ULSS: 0.019" (0.5 mm); ULSM: 0.039" (1 mm); ULSL: 0.079" (2 mm).
Blind Zone: ULSS: 2" (5 cm); ULSM: 4" (10 cm); ULSL: 8" (20 cm).
Beam Width: ULSS & ULSM: 2" (5 cm); ULSL: 3" (7.62 cm).
Temperature Limits: Process: 20 to 140°F (-7 to 60°C); Ambient: -31 to 140°F (-35 to 60°C).
Temperature Compensation: Automatic.
Pressure Limit: 30 psi (2 bar).
Power Requirement: 12 to 28 VDC.
Output Signal: 4 to 20 mA, 2-wire; Invert: 4 to 20 mA or 20 to 4 mA; Fail-safe: 4 mA, 20 mA, 21 mA, 22 mA, or hold last.
Loop Resistance: 400 Ω max.
Electrical Connections: 4' (1.2 m) 9 conductor shielded cable.
Contact Type: 4 SPST relays.
Contact Rating: 1 A max @ 28 VDC max.
Deadband: Selectable (no hysteresis, 1/4", 1/2", 1", 1/2 cm, 1 cm, 2 cm, 5 cm or not available).
Process Connection: 1" NPT, 1" BSPP (optional).
Enclosure Rating: NEMA 6P (IP68).
Enclosure Material: Polycarbonate; Gland: TPE.
Mounting Orientation: Vertical.
Memory: Non-volatile.
Failsafe: Contact: Power loss: Holds last contact; Power on: Open, close, or last contact.
Programming: Free PC software download (USB adapter required).
Weight: 1 lb (0.45 kg).
Agency Approvals: CE, RoHS.

ACCESSORIES

Model	Description
ULS-ACC-USB	USB adapter for calibration, PVC
ULS-ACC-121	1" x 1" NPT reducer bushing fitting (sch. 40), PVC
ULS-ACC-122	1" x 1" NPT reducer bushing fitting (sch. 80), PVC
ULS-ACC-131	3" x 2" NPT reducer bushing fitting (sch. 40), PVC
ULS-ACC-132	3" x 2" NPT reducer bushing fitting (sch. 80), PVC
ULS-ACC-142	4" x 2" NPT reducer bushing fitting (sch. 80), PVC
ULS-ACC-221	2" socket x 1" NPT reducer bushing fitting (sch. 40), PVC
ULS-ACC-222	2" socket x 1" NPT reducer bushing fitting (sch. 80), PVC
ULS-ACC-231	3" socket x 2" NPT reducer bushing fitting (sch. 40), PVC
ULS-ACC-232	3" socket x 2" NPT reducer bushing fitting (sch. 80), PVC
ULS-ACC-241	4" socket x 2" NPT reducer bushing fitting (sch. 40), PVC
ULS-ACC-242	4" socket x 2" NPT reducer bushing fitting (sch. 80), PVC
ULS-ACC-510	1" NPT polypropylene side mount bracket
ULS-ACC-520	2" NPT polypropylene side mount bracket

PUMP CONTROLLER

One or Two Pump Control with Built-In Alternation, Over Temperature Protection and Seal Failure Monitoring



The **SERIES MPC** Pump Controllers provides versatile level control in a standard 1/4 DIN package. Designed for use with almost any style level transmitter the unit displays the present level and main set point value. Incorporated in the MPC is programmable level differential for on/off control of one or two pumps, valves, or other devices through two SPDT relays.

FEATURES/BENEFITS

- Selectable pump alternation when used with two pumps to minimize pump wear, with alternation "on" a seal failure or over temperature condition will force the non-failed pump to lead status and stop alternation
- Alarms can be programmed for output indication of pump seal failure or over temperature
- Selectable time delay, for pump two, on power up to prevent both pumps from starting at the same time
- In the event of power loss, upon regaining power a time delay of up to 60 seconds can be selected to prevent excessively large current draw
- Integral 24 VDC power supply to power level transmitter
- Displays pump run time from a front panel button
- Test system function simulates the process input to ensure the pumps are operating or to test programming
- User selectable security lock-out of programming and/or set points
- Process input retransmission as a current (4 to 20 mA) or voltage (2 to 10 VDC) analog signal (standard model MPC is set for current retransmission. For voltage retransmission add suffix "-RV")
- Two additional programmable alarm contacts with front alarm light indication
- Front panel face meets NEMA 4X for outdoor panel mounting
- User-friendly programming menu

APPLICATIONS

- Water and wastewater
- Sump and sludge pits, clarifiers, digesters
- Chemical storage tanks
- Oil tanks
- Reservoirs

SPECIFICATIONS

Inputs: 4 (or 0) to 20 mA DC or 2 (or 0) to 10 VDC selectable.
Input Impedance: Current = 10 Ω ; Voltage = 100 K Ω .
Output Ratings: Control relays: SPDT, rated 10 A @ 240 VAC res., 1/4 hp @ 120 VAC, 1/3 hp @ 240 VAC; Alarm relays: SPST, 3 A @ 240 VAC res., 1/10 hp @ 120 VAC.
Control Type: On/off, reverse (pump out) or direct (pump in) acting.
Power Requirements: 100 to 240 VAC nominal, +10%-15%, 50 to 400 Hz, single phase; 132 to 240 VDC nominal, +10%-15%.
Power Consumption: 7.5 VA maximum.
Accuracy: $\pm 0.25\%$ of span, ± 1 least significant digit.
Display: Two 4 digit, 7 segment 0.56" high LED's.
Display Resolution: 1 count.
Memory Backup: Nonvolatile memory (no batteries required).
Serial Communications: Optional RS-232 or RS-485 with Modbus[®] protocol.
Ambient Operating Temperature/RH: 14 to 131°F (-10 to 55°C)/0 to 90% up to 104°F (40°C) non-condensing, 10 to 50% at 131°F (55°C) non-condensing.
Front Panel Rating: Meets UL Type 4X (IP66).
Loop Power Supply (Isolated): 24 VDC @ 50 mA, regulated.
Seal Failure (Moisture Sensor): Power: 2.5 VDC; Search current: 3 micro amps; Resolution: 10K to 500K Ω in 10K Ω steps.
Weight: 16 oz (454 g).
Agency Approvals: CE, cULus.


MODEL CHART

Model	Description
MPC	Pump controller

OPTIONS

To order add suffix:	Description
-232	RS-232 Modbus [®] RTU serial communications
-485	RS-485 Modbus [®] RTU serial communications

ACCESSORY

Weatherproof Enclosures, NEMA 4X (IP66). 



A-901

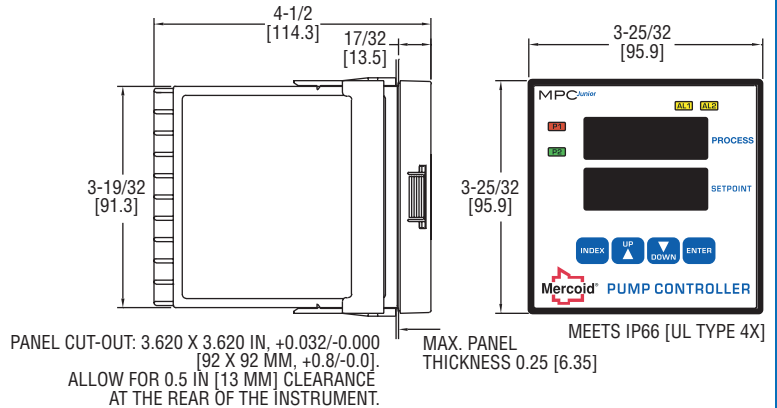
Modbus[®] is a registered trademark of Schneider Automation, Inc.

Compatible Level Transmitters: See page 266 (Series SBLT2)
See page 268 (Series PBLT2)

Additional Digital Control Panel Meters: See page 285 (Series APM/MPM/PPM)
See page 276 (Series A-900 & A-901)

PUMP CONTROLLER

One or Two Pump Control with Built-In Alternation



The **SERIES MPC JR** Pump Controllers provides versatile level control in a standard 1/4 DIN package. Designed for use with almost any style level transmitter the unit displays the present level and main set point value. Incorporated in the MPC JR is programmable level differential for on/off control of one or two pumps, valves, or other devices through two SPDT relays.

FEATURES/BENEFITS

- Selectable pump alternation when used with two pumps to minimize pump wear
- Integral 24 VDC power supply for transmitter
- User selectable security lock-out of programming and/or set points
- Optional process input retransmission as a current (4 to 20 mA) or voltage (2 to 10 VDC) analog signal
- Analog output on pump "on" condition for activation of separate pump run time meters

APPLICATIONS

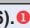
- Water and wastewater
- Sump and sludge pits, clarifiers, digesters
- Chemical storage tanks
- Oil tanks
- Reservoirs

SPECIFICATIONS

Inputs: 4 (or 0) to 20 mA DC or 2 (or 0) to 10 VDC selectable.
Input Impedance: Current = 10 Ω; Voltage = 5 K Ω.
Output Ratings: Control relays: SPDT, rated 10 A @ 240 VAC res., 1/4 hp @ 120 VAC, 1/3 hp @ 240 VAC; Alarm relays: SPST, 3 A @ 240 VAC res., 1/10 hp @ 120 VAC; Others: 15 VDC @ 20 mA for output one and output two.
Control Type: On/off, reverse (pump out) or direct (pump in) acting.
Power Requirements: 100 to 240 VAC nominal, +10%-15%, 50 to 400 Hz, single phase; 132 to 240 VDC nominal, +10%-15%.
Power Consumption: 7.5 VA maximum.
Accuracy: ±0.25% of span, ±1 least significant digit.
Display: Two 4-digit, 7 segment 0.56" high LED's.
Display Resolution: 1 count.
Memory Backup: Nonvolatile memory (no batteries required).
Serial Communications: Optional RS-232 or RS-485 with Modbus® protocol.
Ambient Operating Temperature/RH: 14 to 131°F (-10 to 55°C)/0 to 90% up to 104°F (40°C) non-condensing, 10 to 50% at 131°F (55°C) non-condensing.
Front Panel Rating: Meets UL Type 4X (IP66).
Loop Power Supply (Isolated): 24 VDC @ 50 mA, regulated.
Weight: 16 oz (454 g).
Agency Approvals: CE, cULus.

MODEL CHART	
Model	Description
MPCJR	Pump controller

OPTIONS	
To order add suffix:	Description
-RC	Retransmission of input, 4 to 20 mA
-RV	Retransmission of input, 0 to 10 VDC
-232	RS-232 Modbus® RTU serial communications
-485	RS-485 Modbus® RTU serial communications

ACCESSORY
 Weatherproof Enclosures, NEMA 4X (IP66). 



A-901

Modbus® is a registered trademark of Schneider Automation, Inc.

Compatible Level Transmitters: See page 266 (Series SBLT2)
 See page 268 (Series PBLT2)
 See page 276 (Series A-900 & A-901)

PANEL METERS AND PUMP CONTROLLERS

Open Channel Flow, Rate and Total, Multi-Pump Control



APM



MPM



PPM

The **SERIES APM** Analog Panel Meter is a 1/8 DIN digital panel meter perfect for displaying flow rate and total simultaneously from several analog inputs such as a 4 to 20 mA or 0 to 10 V from any flow transmitter. When utilized with an ultrasonic level transmitter, such as the Mercoid Series ULT, this series provides an economical way to measure open channel flow. The dual line display can be configured to read flow rate, total, grand total, as well as engineering units.

The **SERIES MPM** Multi Pump Meter is also a 1/8 DIN digital panel meter but for multi-pump alternation control. This series features, non-latching, sampling, and fail-safe action in addition to its ability to alternate up to four pumps. This series is also capable of linearizing nonlinear inputs with a variety of pre-programmed math functions. This is helpful in applications where volume is monitored in odd shaped tanks as well as open channel flow monitoring. It accepts 0 to 20 mA, 4 to 20 mA, 0 to 5 V, 1 to 5 V or 0 to ± 10 V standard.

The **SERIES PPM PULSE PANEL METER** is a 1/8 DIN digital panel meter specifically designed for a variety of pulse inputs. This series is particularly well-suited for flow applications with its large six-digit, dual-line display that can display flow rate and total simultaneously with up to 4 programmable relay options and 4 to 20 mA output. This series features latching, non-latching, sampling, and fail-safe action in addition to its pump alternation function.

For more information on these products: See page 285



1/4 DIN CONTROL ENCLOSURES

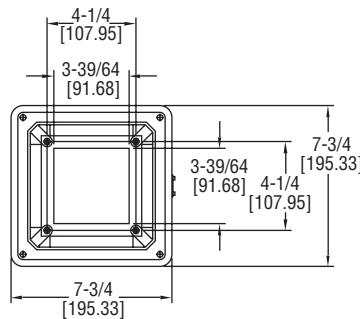
Weatherproof, Durable, Pre-Cut Mounting Hole



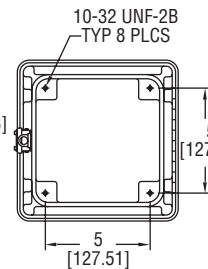
A-900



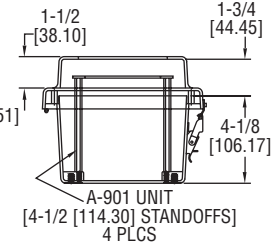
A-901



Top View



Bottom View



Side View

The **MODELS A-900 & A-901** are rated weatherproof type NEMA 4X to protect controls from dirt, dust, oil, and water. The Model A-900 comes with a standard 1/4 DIN cutout in the front cover and the Model A-901 comes with a clear plastic front window. Both units feature a lockable latch to prevent unauthorized removal of the control from the enclosure.

FEATURES/BENEFITS

- UV stabilized for outdoor use
- Fiberglass material is easily punched or drilled for conduit connections
- Compatible with Love Series 2500, 2600, 4B, 4C, 4G, and Mercoid Series MPC, MPCJR

APPLICATIONS

- Wastewater remote pump stations
- Outdoor industrial ovens/furnaces/boilers

FOR MODELS: 25XX3, 26XX3, 26X3X, 26X33, MPC, MPCJR		
Ambient Temperature	A-900 Maximum Current	A-901 Maximum Current
77°F (25°C)	10 amps	10 amps
104°F (40°C)	10 amps	9 amps
131°F (55°C)	7.5 amps	6 amps

SPECIFICATIONS

Service: Indoor or outdoor.

Rating: NEMA 1, 2, 3, 3R, 4, 4X, 12 and 13.

Materials: Body: UV stabilized fiberglass reinforced polyester; Snap latch: 304 SS; Hinge: SS; Mounting feet and screws: 304 SS; Window: UV stabilized polycarbonate; Cover gasket: Neoprene.

Enclosure Rating: NEMA 4X (IP66).

Control Temperature Limits: When using the enclosures with controls that have 10 A relay outputs the extra heat generation decreases the maximum ambient temperature value that the control can be used at inside the enclosure. Other outputs on our controls are not a concern.

Agency Approvals: UL.

MODEL CHART

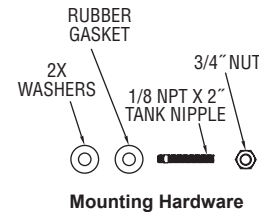
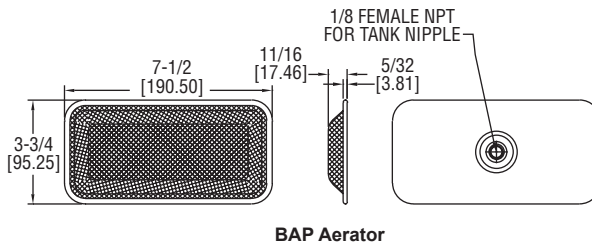
Model	Description
A-900	Weatherproof enclosure, NEMA 4X, control direct panel mounts in the front of the enclosure
A-901	Weatherproof enclosure, NEMA 4X, clear plastic window with rear panel for mounting the control inside the enclosure

ACCESSORY

Model	Description
A-600	R/C snubber

BIN AERATOR PAD

Inexpensive, Quiet Operation



The **SERIES BAP** Bin Aerator Pad provides positive flow of dry, finely ground materials from any bin using the proven principle of aeration. It features simple and quick installation, is inexpensive, and adapts to any bin configuration.

FEATURES/BENEFITS

- Provides positive, uniform, and easily controlled flow with quiet operation
- Non-clogging

APPLICATIONS

- Powder and bulk

MODEL CHART

Model	Description
BAP-C	Zinc plated steel with gal. steel mesh & cotton diffuser
BAP-SSC	316SS with 316SS mesh & cotton diffuser
BAP-F	Zinc plated steel with gal. steel mesh & fiberglass diffuser
BAP-SSF	316SS with 316SS mesh & fiberglass diffuser
BAP-K	Optional external mounting kit

SPECIFICATIONS

Temperature Limit: BAP-C and BAP-SSC: 180°F (82°C) BAP-F and BAP-SSF: 600°F (316°C).
Supply Pressure: 3 to 5 psi (0.2 to 0.3 bar).
Air Consumption: See chart.
Air Connection: 1/8" NPT male.
Materials: See model chart.

AIR CONSUMPTION GUIDE

1 psi (0.07 bar)	4.2 CFM (118.9 LPM)
2 psi (0.14 bar)	5.7 CFM (161.4 LPM)
3 psi (0.21 bar)*	6.5 CFM (184.1 LPM)
4 psi (0.28 bar)	7.1 CFM (201.0 LPM)
5 psi (0.34 bar)	7.6 CFM (215.2 LPM)

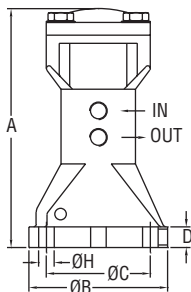
*Recommended for most applications



BAP-K

PISTON VIBRATOR

Air Cushioned or Piston Vibrators



Model	A	B	C	D	H	IN/OUT
APV-X1	5-7/16 [138.11]	3-5/32 [80.17]	2-3/8 [60.33]	31/64 [12.30]	23/64 [9.13]	1/8 BSPT
APV-X2	6-35/64 [166.69]	3-15/16 [100.01]	2-61/64 [75.01]	41/64 [16.27]	7/16 [11.11]	1/4 BSPT
APV-X3	8-13/64 [208.36]	5-33/64 [140.10]	4-9/64 [105.17]	41/64 [16.27]	19/32 [15.08]	1/4 BSPT

The **SERIES APV** Piston Vibrator uses compressed air to push the piston from one side and cause vibration power. APV-C models are air cushioned to provide low noise, making it suitable for quiet area applications. APV-I models allow direct impact on the tank to help get rid of dust or material accumulated inside of pipes and tanks.

FEATURES/BENEFITS

- High strength aluminum alloy housing
- Frequency and amplitude of vibration can be adjusted as needed
- Low frequency and direct impact models available

APPLICATIONS

- Bin vents
- Bag houses
- Dust collectors

SPECIFICATIONS

Temperature Limit: 212°F (100°C).
Noise Level Range: APV-C: 60-75 dBA; APV-I: 80-115 dBA.
Supply Pressure: 29 to 87 psi (2 to 6 bar).
Air Consumption: See model chart.
Air Connection: 1/8" BSPT female with 1/4" OD push to connect adapter on APV-C1 and APV-I1; 1/4" BSPT female with 1/4" OD push to connect adapter on APV-C2, APV-C3, APV-I2 and APV-I3. Also includes muffler for exhaust port.
Housing Material: Aluminum.

HOW THEY OPERATE

There are air-breathing tubes located in both ends of the cylinder. Compressed air pushes the piston from one side to the other. Vibration power arises when the piston moves back and forth in the body. In APV-C air cushion at both ends produced by the to-and-fro motion will keep the piston from striking the body. Therefore, the piston will not produce much noise. In APV-I, air cushion at the top end is produced by the to-and-fro compression. This will keep the piston from striking onto the body top. The piston will strike directly on the bottom side of the body to produce a strong impact.

MODEL CHART

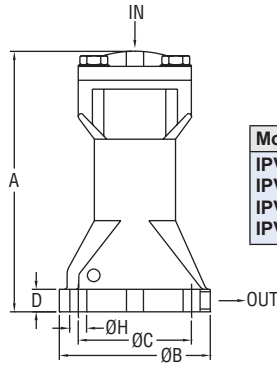
Model	Frequency (V.P.M.) Pressure Input			Force lbf (N) Pressure Input			Air Consumption cfm (l/min) Pressure Input	Weight lb (kg)
	29 psi (2 bar)	58 psi (4 bar)	87 psi (6 bar)	29 psi (2 bar)	58 psi (4 bar)	87 psi (6 bar)		
APV-C1	1765	2308	2857	44 (195)	85 (380)	126 (560)	8.12 (230)	1.98 (0.9)
APV-C2	1333	1677	1875	62 (275)	119 (531)	161 (715)	8.79 (249)	4.19 (1.9)
APV-C3	1000	1200	1340	91 (404)	175 (780)	231 (1030)	9.50 (269)	9.92 (4.5)
APV-I1	1973	2885	3571	1818 (8086)	3044 (13542)	3996 (17776)	8.8 (250)	2.2 (1.0)
APV-I2	1744	2459	3000	3245 (14443)	4934 (21948)	6048 (26904)	9.5 (270)	4.6 (2.1)
APV-I3	1277	1875	1973	3470 (15434)	7799 (34692)	8276 (36816)	10.6 (300)	10.6 (4.8)

V.P.M. = vibrations per minute



AIR HAMMER

Single Impacting Type



Model	A	B	C	D	H	IN/OUT
IPV-1	5-7/16 [138.11]	3-5/32 [80.17]	2-3/8 [60.33]	31/64 [12.30]	23/64 [9.13]	1/4 BSPT
IPV-2	6-35/64 [166.69]	3-15/16 [100.01]	2-61/64 [75.01]	41/64 [16.27]	7/16 [11.11]	1/4 BSPT
IPV-3	8-13/64 [208.36]	5-33/64 [140.10]	4-9/64 [105.17]	41/64 [16.27]	19/32 [15.08]	1/4 BSPT
IPV-4	10-19/32 [269.08]	6-25/32 [172.24]	5-33/64 [140.10]	61/64 [24.21]	3/4 [19.05]	3/8 BSPT

The **SERIES IPV** Air Hammer helps to smooth the flow and prevent accumulation inside of containers. It is often applied to a pipe or clean elbow in a tank filled with humidity or low specific gravity material.

FEATURES/BENEFITS

- High strength aluminum housing
- Impact force and interval timing can be adjusted as needed
- Magnetic hammer stores magnetic strength to increase the piston's impact power
- Includes muffler for exhaust port.

APPLICATIONS

- Bin vents
- Bag houses
- Dust collectors

HOW IT OPERATES

The IPV series air hammer contains a powerful magnet inside the hammer. The hammer and magnet are tightly closed before activation. As the inlet air pressure gets higher than the force, this tightens the hammer and magnet. The hammer and magnet will separate and cause more strength for impact power. The spring will bring the hammer back to the initial position automatically after the impact. By doing this, the air pressure will be released and the strength of the air pressure will be delivered to the target impact container. It will help to smooth the flow and prevent accumulation inside the container.

SPECIFICATIONS

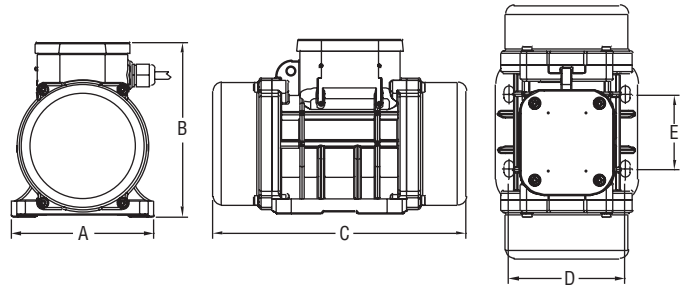
Temperature Limit: 212°F (100°C).
Noise Level Range: 60 to 75 dBA.
Supply Pressure: 43.5 to 87 psi (3 to 6 bar).
Air Consumption: See model chart.
Air Connection: 1/4" BSPT female with 1/4" OD push to connect adapter on IPV-1, IPV-2 and IPV-3; 3/8" BSPT female with 3/8" OD push to connect adapter on IPV-4.

MODEL CHART

Model	Impulse lbf·s (N·S)	Air Consumption in ³ (l) per stroke	Weight lb (kg)
IPV-1	.225 (1.0)	1.71 (0.028)	2.43 (1.1)
IPV-2	.630 (2.8)	5.0 (0.082)	3.97 (1.8)
IPV-3	1.66 (7.4)	14.0 (0.228)	8.82 (4.0)
IPV-4	2.81 (12.5)	27.8 (0.455)	18.52 (8.4)

ELECTRIC BIN VIBRATOR

Adjustable Vibration Intensity



DIMENSIONS - IN (MM)

Model	A	B	C	D	E
EBV-1	5-1/8 (130)	5-23/64 (136)	8-5/16 (211)	4-11/64 (106)	2-43/64 (68)
EBV-2	5-1/8 (130)	5-23/64 (136)	8-5/16 (211)	4-11/64 (106)	2-43/64 (68)
EBV-3	5-1/8 (130)	6-17/64 (159)	9-3/32 (231)	4-11/64 (106)	2-43/64 (68)
EBV-4	6-7/64 (155)	6-23/32 (170)	10-23/64 (263)	4-7/16 (113)	5-1/8 (130)

The **SERIES EBV** Electric Bin Vibrator features an adjustable force, which increases the application flexibility and reduces equipment downtime and labor expense. The low amperage draw at 120 V reduces power consumption and makes the vibrators usable in any application. The EBV is capable of running continuously at 100% force output without overheating or mechanical damage.

FEATURES/BENEFITS

- NEMA 4X (IP66) aluminum housing
- Centrifugal force can be adjusted as needed
- Silent operation at 20 dB

SPECIFICATIONS

Power Requirements: 120 VAC.
Power Consumption: See model chart.
Temperature Limits: -4 to 104°F (-20 to 40°C).
Enclosure: Aluminum.
Enclosure Rating: NEMA 4X (IP66).
Noise Level: 20 dB.
Electrical Connection: Electrical junction box.
Rotational Speed: 3600 RPM.
Weight: See model chart.
Agency Approvals: CE.

MODEL CHART

Model	Max Power		Centrifugal Force		Current Max Amps	Weight lb
	Kw	Hp	Kg	lb		
EBV-1	0.09	0.12	71	156.5	1.03	9.3
EBV-2	0.11	0.15	95	209.4	1.3	10.1
EBV-3	0.21	0.28	189	416.7	2.62	15.4
EBV-4	0.28	0.38	323	712.1	3.43	21.6

TYPICAL APPLICATIONS
pages 280-281



Panel Meters/Indicators
pages 282-287



Annunciators/ Alarm Modules
page 288



Signal Conditioners/ Isolating Transmitters
page 289



Relays
pages 290-291



Current Transformers/ Switches
pages 291-293



Signal Converters
page 294



Power Supplies
pages 294-295



Power Supplies/ Transformers
pages 296-297




Fan Speed Controls
page 298



Intrinsically Safe Barriers
pages 298-300



Timers
page 301



Timer Controllers
pages 302-305



Particulate (Dust or Broken Bag) Transmitters/Sensors
pages 307-309



Vibration Controls
page 310

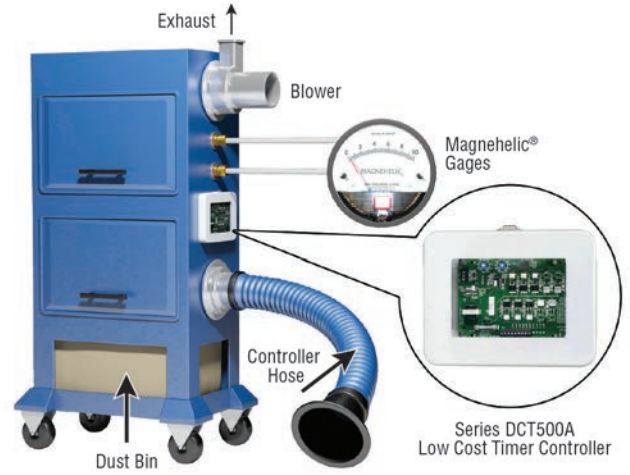


Control Enclosures
pages 310-312



Monitor the test environment for accurate laboratory tests.

The Love Controls Model LCR20 dual pen circular chart recorder can be used to monitor the humidity and temperature in an environmental chamber. The 10" chart size makes it easy to see the blue and red pen markings on the chart paper. The recorder takes in most common thermocouples and process inputs for both channels. It is recommended that the LCR20 be used with a Dwyer RHP series humidity / temperature transmitter for best results.



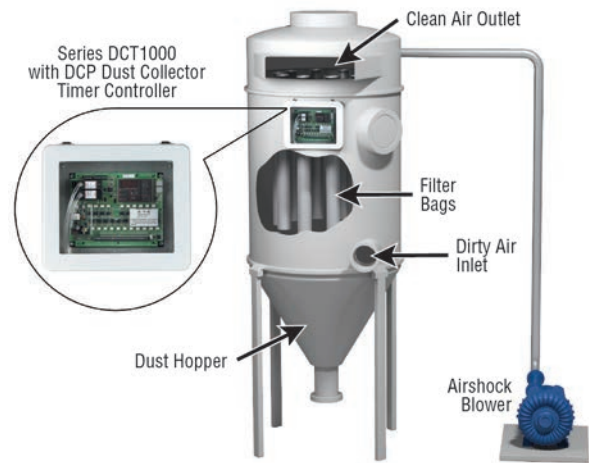
Dust Collector Timer Controller shows filter condition in dust collector.

This portable dust collector can be rolled from job to job in an industrial building. An operator places the large diameter collection hose where it is needed and dust is collected by filters located inside the access doors on the units side. The top mounted blower draws air through the filters. To monitor the pressure drop across the filters, the manufacturer supplies a Magnehelic® differential pressure gage. When the pressure drop due to dust build up on the filter indicates that cleaning is necessary, the DCT500A Dust Collector Timer Controller is manually activated to initiate a cleaning cycle which involves solenoid valves releasing pulses of air. This process removes the dust from the filters where it drops into a storage bin. A Dwyer Minihelic® differential pressure gage can be used instead of the Magnehelic® gage, and, if automatic cleaning is required, a Photohelic® differential pressure switch/gage can provide the electrical contact to actuate the cleaning cycle when the pressure drop reaches the preset limit.



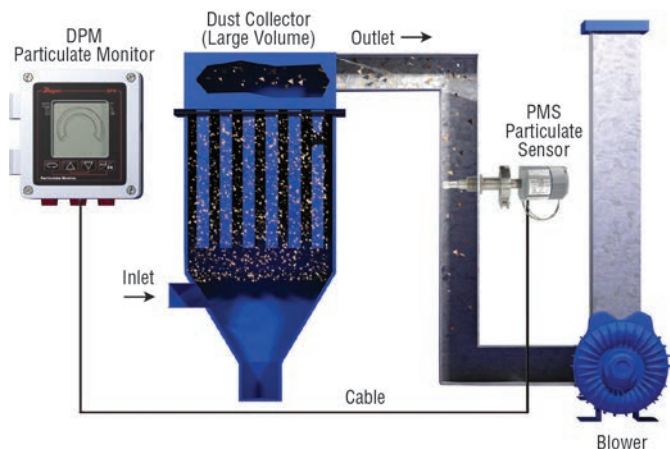
Button Data Logger monitors food and beverage temperature in refrigerated transport vehicles.

When transporting temperature-sensitive products such as meat, produce, beer and wine over long distances, it is necessary to verify that the storage compartment has not exceeded the critical preservation temperature at any time. Dwyer BDL Button Data Loggers offer a low cost way to measure and record storage temperatures throughout transport. By placing several "buttons" throughout the storage compartment and setting an appropriate measurement interval, transportation services can retrieve data at the completion of delivery to assure their customers of adequate preservation temperatures.



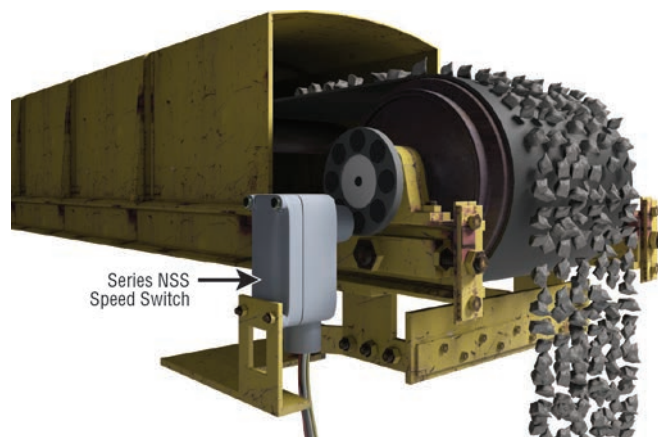
Bag house cleaning system uses Dust Collector Timer Controller to initiate optimum cleaning cycle.

A Dwyer DCT1000 Dust Collector Timer Controller with attachable DCP pressure sensing module monitors and controls the dust levels and corresponding pressure drop across the filter bags. The DCT1000/DCP control automatically activates the cleaning cycle when the DCT1000's pre-programmed set points have been exceeded. This on-demand control system alleviates excessive air compressor usage by preventing unnecessary cleaning which lowers energy and maintenance costs.



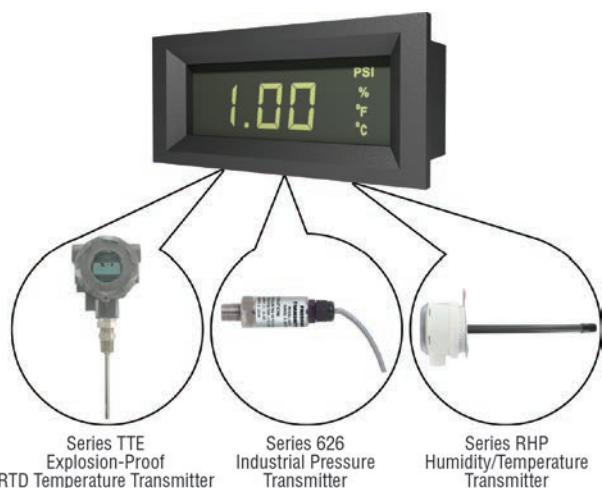
Detect broken filters in dust collectors.

The Dwyer Series DPM Particulate Monitor and PMS Particulate Sensor combine to make a particulate monitoring system for the exhaust stream of dust collectors. The amount of particulate leaking out of the dust collector is measured using low maintenance induction technology and shown on a display for easy viewing. The DPM has programmable thresholds of leakage for switch output indication of dust collector problems such as broken or leaking filters. Proper use of the system will allow the user to catch breaking filters early. Advantages of the system are maintaining regulatory compliance, maximizing product recovery, optimizing filtration efficiency, preventing fines and plant shutdowns, and reducing the amount of pollutants released.



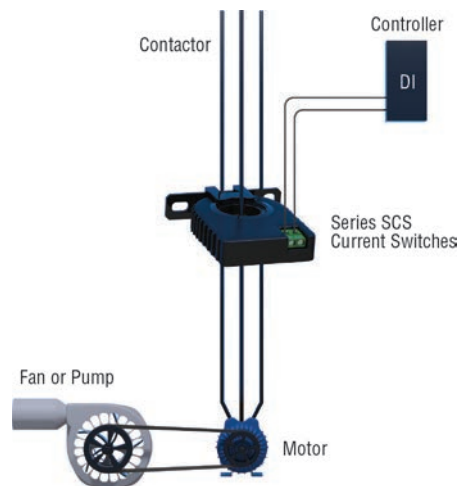
Monitoring belt conveyor for proper operation.

A Proximity Series NSS Speed Switch is used to monitor the speed of a product belt conveyor indicating proper operation. Common applications include grain, feed, aggregate, mining, and textiles. Belt slippage or a slowdown in belt speed indicates problems that could lead to product waste or could generate sparks leading to a fire or explosion. The belt's speed is monitored via the rotational speed of the shaft at the end of the belt. The NSS is a non-contact magnetic actuated system allowing easy installation and long operational life. A magnetic disc is installed on the rotating shaft and the sensor is mounted across from it. The sensor picks up the rotation of the disc to detect the rotational speed of the belt. Inside the sensor is a programmable switch that can be set for any speed. In this application as the speed decreases and hits the set point the switch is activated for indication of a problem. Proper usage of an NSS can help with predictive maintenance and decrease down-time.



Providing remote indication of pressure, humidity or temperature.

The Series DPML, DPMP and DPMW Digital LCD Panel Meters provide remote indication in the designated engineering units for pressure, humidity and temperature measurements. The panel meters can take in a voltage or current input signal from transmitters such as the Dwyer Series TTE, Series 626 or Series RHP. The jumper selection allows the user to choose the appropriate engineering units.



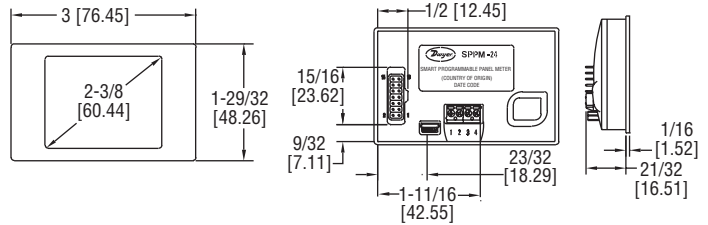
Monitor the status of your fan or pump.

The Dwyer Series SCS Current Switches monitor the input current into a fan or pump motor starter in order to monitor the status of the equipment. As the current passes through the core of the switches, it generates enough energy to power up the switch eliminating the need for extra power wires. The solid core models are typically used on new installations, while the split core models are able to mount on existing or new installations.

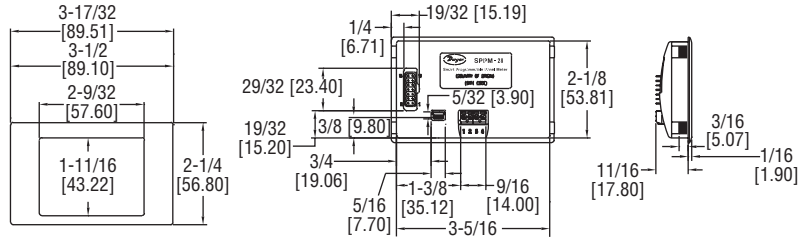
Typical Applications

SMART PROGRAMMABLE PANEL METER

Fully Field Configurable, 16-Bit Color Touch Screen Display



SPPM-24 and SPPM-24-C

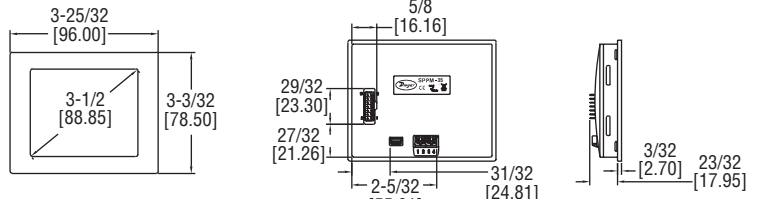


SPPM-28 and SPPM-28-C



Scan here to watch product video

SPPM-HSG



SPPM-35 and SPPM-35-C

The **SERIES SPPM** Smart Programmable Panel Meter is a configurable full-color touch screen display that can be used in a variety of applications. By using a USB connection, the panel meter can be configured with downloadable software for any computer running Windows® based software. The display features remarkable graphics that can easily be customized to read and/or graph pressure, temperature, humidity, gas concentration, or many other parameters.

FEATURES/BENEFITS

- Available with 2.4", 2.8", or 3.5" color touch screen display
- Free downloadable Windows® software allows the unit to be customized to specific applications

APPLICATIONS

- Tank level
- Power monitoring
- Room pressurization condition
- Indoor air quality conditions

SAMPLE PROGRAMMABLE DISPLAY CONFIGURATIONS



SPECIFICATIONS

SPPM SPECIFICATIONS

Inputs: Current: 0 to 50 mA, scalable (factory set from 4 to 20 mA); Voltage: 0 to 40 VDC, scalable (factory set from 0 to 10 V).

Accuracy: 0.1%.

Resolution: 0.3 to 9.8 mV (depending on input range).

Power Supply: 4 to 30 VDC max or via USB.

Current Consumption: 190 mA max.

Display: 2.4", 2.8" or 3.5" TFT full color touch screen.

Display Resolution: 320 x 240 pixels.

Sampling Rate: 3 samples/s.

Temperature Limits: 32 to 104°F (0 to 40°C).

Warm Up: 30 s.

Mounting: Panel mount.

Electrical Connection: Screw terminals, pin connection, or USB.

Software Requirements: Compatible with Windows® XP, Windows® 2000, Windows® 7 and Windows Vista®.

Weight: 2.8 oz (79.4 g).

Agency Approvals: CE.

SPPM-HSG SPECIFICATIONS

Service: Indoor or outdoor.

Material: Painted aluminum or glass.

Enclosure Rating: NEMA 4X (IP66).

A-SPPM-TC SPECIFICATIONS

Probe Measurement Range:
 K-type: -328 to 2462°F (-200 to 1350°C);
 J-type: -328 to 2174°F (-200 to 1190°C);
 T-type: -328 to 734°F (-200 to 390°C).

Temperature Limits: 14 to 104°F (-10 to 40°C).

Resolution: 1.0°F (0.5°C).

Power Requirements: Powered by USB port through SPPM panel meter.

Accuracy: ±2.0°F (±1.0°C).

Weight: 0.9 oz (25.5 g).

Agency Approvals: RoHS.

MODEL CHART

Model	Display	Input
SPPM-24	2.4"	Voltage
SPPM-28	2.8"	Voltage
SPPM-35	3.5"	Voltage
SPPM-24-C	2.4"	Current
SPPM-28-C	2.8"	Current
SPPM-35-C	3.5"	Current

ACCESSORIES

Model	Description
A-SPPM-TC	Thermocouple input board
SPPM-CA	Mini USB to full USB cable
SPPM-HSG24	2.4" display housing
SPPM-HSG28	2.8" display housing

Note: Additional configurations available via online software.

Windows® and Windows Vista® are registered trademarks of Microsoft Corporation

LCD DIGITAL PANEL METERS

3-1/2 & 4-1/2 Digit LCD, User Selectable Engineering Units, Panel Mount



DPMA



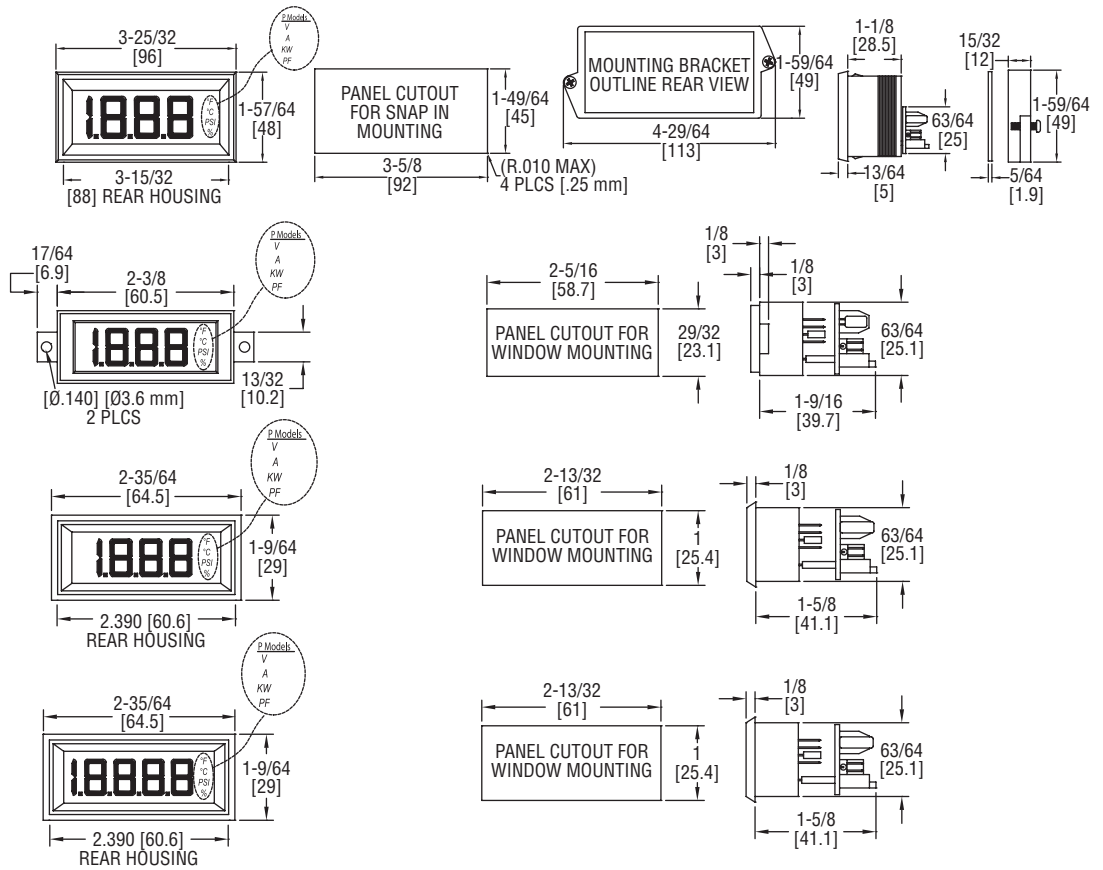
DPMW



DPMP



DPML



The **SERIES DPMA, DPMW, DPMP, & DPML** LCD Digital Panel Meters provide easy viewing on the 3-1/2 or 4-1/2 digit LCD display. On the DPMP and DPML the snap-in bezel mount eliminates mounting hardware for quick installation. The DPMA has a high contrast display for easy viewing in a standard 1/8 DIN package. The DPMW window mounts using two screws to sit flush within the panel cutout. This series can accept 4 to 20 mA, 0 to 200 mVDC, 0 to 5 VDC, or 0 to 10 VDC input signal and requires a 24 VDC power supply to illuminate the colored segments.

FEATURES/BENEFITS

- Panel mount for quick installation
- 3-1/2 or 4-1/2 digit with 0.45" or 1" segments
- Colored segments available in black, red, amber, green, or blue
- Jumper selectable engineering units and decimal point positions

APPLICATIONS

- Display process values from pressure, humidity, temperature, voltage, current, watt, or power factor transmitters

ACCESSORIES

Model	Description
DPM-12P	Regulated 120 VAC to 12 VDC power supply
DPM-24P	Regulated 120 VAC to 24 VDC power supply

SPECIFICATIONS

Input: DPMX-4XX(P): 4 to 20 mA; DPMX-5XX(P): 0 to 200 mVDC, 0 to 5 VDC, or 0 to 10 VDC.	Decimal Points: DPMA/W/P: 3-position, user selectable; DPML: 4-position, user selectable.
Input Impedance: DPMX-4XX(P): 300Ω nominal; DPMX-5XX(P): 390Ω nominal.	Polarity: Automatic, "-" displayed.
Accuracy: DPMA: ±(0.05% FS + 1 count); DPMW/P/L: ±(0.1% FS + 2 count).	Operating Temperature: 32 to 122°F (0 to 50°C).
Power Supply: DPMX-4XX(P): Powered by control loop; DPMX-5XX(P): 12 VDC or 24 VDC.	Storage Temperature: -4 to 158°F (-20 to 70°C).
Backlight Power Supply: 24 VDC @ 35 mA typical.	Mounting: DPMA: Snap-in panel mount or clamp (gasket included); DPMW: Window mount; DPMP/L: Snap-in bezel mount.
Span and Zero: Adjustable (±1999 counts).	Connection: Screw terminals.
Display: DPMA: 3-1/2 digits, 7 segments, 1" (25.4 mm) H; DPMP/W: 3-1/2 digits, 7 segments, 0.45" (11.4 mm) H; DPML: 4-1/2 digits, 7 segments, 0.45" (11.4 mm) H.	Conversion Rate: 3 per second.
	Warm-Up: 10 minutes typical.
	Weight: DPMA: 4 oz (113.4 g); DPMW/P/L: 2 oz (56.7 g).
	Agency Approvals: CE.

MODEL CHART

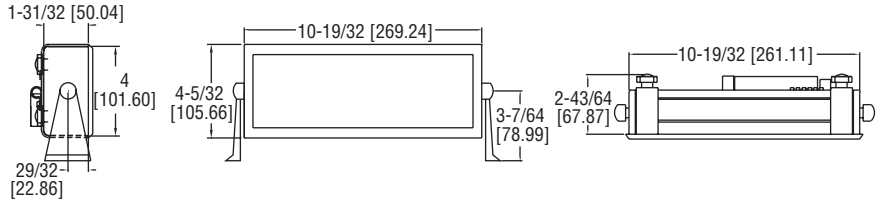
Model	Input	Segments	Engineering Units	Digit	Model	Input	Segments	Engineering Units	Digit
DPMA-401	Current	Amber	°F, °C, %, PSI	3-1/2"	DPMW-401P	Current	Amber	V, A, KW, PF	3-1/2"
DPMA-402	Current	Red	°F, °C, %, PSI	3-1/2"	DPMW-402P	Current	Green	V, A, KW, PF	3-1/2"
DPMA-404	Current	Green	°F, °C, %, PSI	3-1/2"	DPMW-403P	Current	Red	V, A, KW, PF	3-1/2"
DPMA-501	Voltage	Amber	°F, °C, %, PSI	3-1/2"	DPMP-401*	Current	Amber	°F, °C, %, PSI	3-1/2"
DPMA-502	Voltage	Red	°F, °C, %, PSI	3-1/2"	DPMP-402*	Current	Green	°F, °C, %, PSI	3-1/2"
DPMA-504	Voltage	Green	°F, °C, %, PSI	3-1/2"	DPMP-403*	Current	Red	°F, °C, %, PSI	3-1/2"
DPMA-401P	Current	Amber	V, A, KW, PF	3-1/2"	DPMP-501*	Voltage	Amber	°F, °C, %, PSI	3-1/2"
DPMA-402P	Current	Red	V, A, KW, PF	3-1/2"	DPMP-502*	Voltage	Green	°F, °C, %, PSI	3-1/2"
DPMA-404P	Current	Green	V, A, KW, PF	3-1/2"	DPMP-503*	Voltage	Red	°F, °C, %, PSI	3-1/2"
DPMA-501P	Voltage	Amber	V, A, KW, PF	3-1/2"	DPMP-401P*	Current	Amber	V, A, KW, PF	3-1/2"
DPMA-502P	Voltage	Red	V, A, KW, PF	3-1/2"	DPMP-402P*	Current	Green	V, A, KW, PF	3-1/2"
DPMA-504P	Voltage	Green	V, A, KW, PF	3-1/2"	DPMP-403P*	Current	Red	V, A, KW, PF	3-1/2"
DPMW-401	Current	Amber	°F, °C, %, PSI	3-1/2"	DPMP-501P*	Voltage	Amber	V, A, KW, PF	3-1/2"
DPMW-402	Current	Green	°F, °C, %, PSI	3-1/2"	DPMP-502P*	Voltage	Green	V, A, KW, PF	3-1/2"
DPMW-403	Current	Red	°F, °C, %, PSI	3-1/2"	DPMP-503P*	Voltage	Red	V, A, KW, PF	3-1/2"

*For 4-1/2 digit display, change DPMP to DPML. Example: DPML-401



EXTRA LARGE DIGITAL PANEL METER

3-1/2 Digit LED Display, 2.3" Segment Height, Process Inputs



The **SERIES DPMX** Extra Large Digital Panel Meter can be easily viewed from across a room or in dark areas. The 2.3" LED segments are available in red, green, or blue. These panel meters come equipped with a universal power supply and user selectable process inputs to fit most applications.

FEATURES/BENEFITS

- Large 10.6" (269.2 mm) x 4.2" (105.7 mm) backlit display
- Protective metal casing with adjustable mounting bracket

APPLICATIONS

- Display process values from various transmitters

MODEL CHART		
Model	Segments	Power Supply
DPMX-1	Blue	90 to 250 VAC
DPMX-2	Green	90 to 250 VAC
DPMX-3	Red	90 to 250 VAC
DPMX-1-LV	Blue	10.5 to 30 VAC/VDC
DPMX-2-LV	Green	10.5 to 30 VAC/VDC
DPMX-3-LV	Red	10.5 to 30 VAC/VDC

SPECIFICATIONS

Inputs: Set voltage: ± 200 mVDC, ± 2 VDC, ± 20 VDC; Adjustable voltage: 200 mVDC, 5 VDC, 10 VDC; Adjustable current: 0(4) to 20 mA DC.
Input Impedance: Set voltage: > 1 M Ω (> 10 M Ω on 200 mV range); Adjustable voltage: 392 k Ω ; Adjustable current: 300 Ω nominal.
Accuracy: $\pm (1\% \text{ FS} + 1 \text{ count})$.
Power Supply: 90 to 250 VAC @ 12 VA or 10.5 to 30 VAC/DC @ 6 VA (depending on model).
Display: 3-1/2 digits, 2.3" H, 7 segment LED.
Sampling Rate: 3 readings per second.
Operating Temperature: 14 to 122°F (-10 to 50°C).
Storage Range: -40 to 167°F (-40 to 75°C).
Warm Up: 10 minutes.
Mounting: 180° gimbal mounting with 30° stops or bezel mount.

COMPACT PROCESS INDICATOR

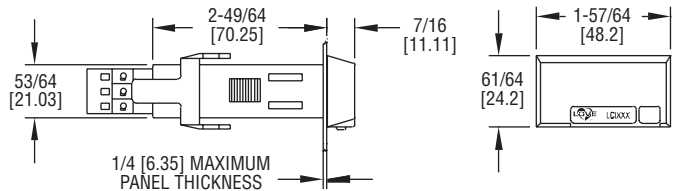
1/32 DIN, Fully Programmable



Process Display



Program keys



The **SERIES LCI132** Process Indicators offer flexibility and value in a low cost, compact 1/32 DIN package. The shallow depth of these full size panel meters allows installation in panels only 2.76" (70 mm) deep with room to spare.

FEATURES/BENEFITS

- Fits in 1/32 DIN panel cutouts
- IP65 (NEMA 4X) front housing
- Fully programmable
- Various voltage and current inputs fit most processes

APPLICATIONS

- Display process values from various transmitters

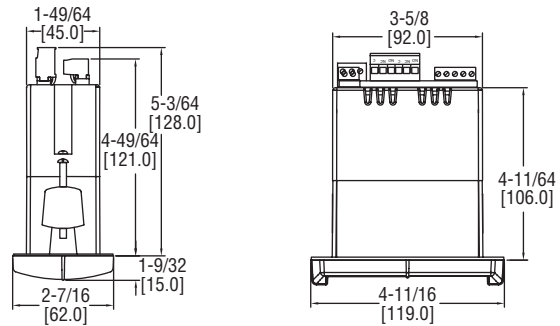
MODEL CHART		
Model	Input	Supply Voltage
LCI132-00	± 100 VDC; ± 20 VDC; ± 10 VDC; ± 200 VDC; ± 20 mA DC	120/240 VAC
LCI132-01	± 100 VDC; ± 20 VDC; ± 10 VDC; ± 200 VDC; ± 20 mA DC	24/48 VAC
LCI132-10	± 100 VAC; 600 VAC; 5 A (DC) 1A (AC); -199.9 to +600 VDC; ± 100 VDC -1.999 to 5 A (DC) ± 1 A (DC);	120/240 VAC
LCI132-11	± 100 VAC; 600 VAC; 5 A (DC) 1A (AC); -199.9 to +600 VDC; ± 100 VDC -1.999 to 5 A (DC) ± 1 A (DC)	24/48 VAC

SPECIFICATIONS

LCI132-0X
Range: Input volts (DC): ± 200 V, ± 20 V, ± 10 V; Input amperes: ± 100 mV, ± 20 mA.
Resolution: Input volts (DC): 0.1 V, 0.01 V, 1 mV; Input amperes: 0.1 mV, 0.01 mA; Input impedance: Volts: 1 M Ω , mV: 100 M Ω , mA: 12.1 Ω .
LCI132-1X
Range AC: Input volts: 600.0, 100.0; Input amperes: 5.000, 1.000.
Range DC: Input volts: -199.9, ± 600.0 , ± 100.0 ; Input amperes: -1.999, +5.000, ± 1.000 .
Resolution: Input volts: 0.1 V; Input amperes: 1 mA; Input impedance: Volts: 3 M Ω (106), Amps: 12 m Ω (10-3).
Accuracy at 23°C $\pm 5^\circ$ C: 100/600 VDC 1/5 A DC; 600 V/5 A AC: $\pm (0.2\% \text{ reading} + 3 \text{ digits})$. 100 V / 1 A AC: $\pm (0.4\% \text{ reading} + 4 \text{ digits})$.
Temperature Coefficient: 100 ppm/ $^\circ$ C.
Warm Up: 5 minutes.
Power Supply and Fuses (DIN 41661) (Not supplied): LCI132-X0: 85–265 VAC 50/60 Hz and 100-300 VDC; Fuse: 0.1 A / 250 V; LCI132-X1: 21-53 VAC 50/60 Hz and 10.5-70 VDC; Fuse 0.5 A / 250 V.
DISPLAY
Range: -1999 to 9999 (DC) 0 to 9999 (AC).
Type: 4 red digits 10 mm.
Reading Rate: 4/s.
Overflow Indication: OVR.
ENVIRONMENTAL
Operating Temperature: 14 to 140°F (-10 to 60°C).
Storage Temperature: -13 to 185°F (-25 to 85°C).
Relative Humidity (non condensed): < 95% @ 40°C.
Panel Sealing: NEMA 4X (IP66).

DUAL LINE CONFIGURABLE PANEL METERS

1/8 DIN Multi-Pump Alternation Control, Open-Channel Flow, Rate and Totalizer



The Series PM's are a series of 1/8 DIN digital panel meters engineered to take in multiple inputs from a variety of instrumentation for the purpose of displaying or controlling a process parameter.

The **SERIES APM** is a panel meter specifically designed for displaying flow rate and total from a flow meter with an analog output such as 4 to 20 mA or 0 to 10 V. The APM is particularly well-suited for flow applications and can display flow rate and total at simultaneously.

The **SERIES MPM** has the ability to obtain non-linear input signals and linearize them with simple to use math functions such square-root extractor, weirs and flumes exponential linearizer, horizontal round tank linearizer or general purpose 32-point linearizer. Unit accepts 0 to 20 mA, 4 to 20 mA, 0 to 5 V, or ± 10 V inputs and requires 85 to 265 VAC or 12/24 VDC power supply. Choose from RS-232, RS-422/485 serial communication options or any available expansion modules, accessories and enclosures.

The **SERIES PPM** displays flow rate and total simultaneously, with a programmable relay and 4 to 20 mA options for flow rate or flow total. The PPM is designed for displaying flow rate and total from a pulsed input provided by open collector, NPN, PNP, TTL, switch contact, sine wave, or square wave.

FEATURES/BENEFITS

- Three levels of password protection
- Math functions for flow & round horizontal tanks
- 32-point linearization, square root or programmable exponent
- Multi-pump alternation control
- Rate displayed as units per second, minute, hour, or day
- Total, grand total or non-resettable grand total
- Two or four relays & isolated 4 to 20 mA output options
- External 4-relay & digital I/O expansion modules
- RS-232, RS-422/485 serial communication options

APPLICATIONS

- Level monitoring
- Pump control
- Flow rate indication
- Flow totalization
- Open channel flow monitoring
- Process control

SPECIFICATIONS

Input: APM: 0 to 20 mA, 4 to 20 mA, 0 to 5 V, or ± 10 V inputs; MPM: 0 to 20 mA, 4 to 20 mA, 0 to 5 V, or ± 10 V; PPM: Field selectable: Pulse or square wave 0 to 5 V, 0 to 12 V, or 0 to 24 V @ 30 kHz; TTL; open collector 4.7 k Ω pull-up to 5 V @ 30 kHz; NPN or PNP transistor, switch contact 4.7 k Ω pull-up to 5 V @ 40 Hz.

Input Impedance: 50 to 100 Ω .

Accuracy: $\pm 0.03\%$ of calibrated span ± 1 count, square root & programmable exponent accuracy range: 10-100% of calibrated span.

Power Requirements: 85 to 265 VAC 50/60 Hz, 90 to 265 VDC, 20 W max or 12 to 24 VDC $\pm 10\%$, 15 W max.

Display: Dual-line 6-digit display, 0.60 in and 0.46 in.

Decimal Points: Five positions, user selectable.

Temperature Limits: Operating: -40 to 149°F (-40 to 65°C); Storage: -40 to 185°F (-40 to 85°C).

Enclosure Rating: NEMA 4X, IP65 front.

Electrical Connections: Removable screw terminal blocks accept 12 to 22 AWG wire, RJ45 for external relays, digital I/O, and serial communication adapters.

Output Signal: 4 to 20 mA.

Power Consumption: 85 to 265 VAC models: 200 mA @ 24 VDC; 12 to 24 VDC models: 100 mA @ 24 VDC; Second supply with output 2 models: 40 mA @ 24 VDC.

Switch Rating: 2 or 4 SPDT (Form C) internal and/or 4 SPST (Form A) external; rated 3 A @ 30 VDC and 125/250 VAC resistive load; 1/14 HP @ 125/250 VAC for inductive loads.

Time Delay: 0 to 999.9 seconds, on & off relay time delays; programmable and independent for each relay.

Shipping Weight: 9.5 oz (269 g).

Agency Approvals: CE, UL.

OPEN CHANNEL FLOW CAPABILITY

Series APM when utilized with an ultrasonic level transmitter, such as the Mercoid Series ULT, provides an economical way to measure open channel flow.

DIFFERENTIAL PRESSURE FLOW

The APM can display flow rate and total by extracting the square root from the 4 to 20 mA signal from a differential pressure transmitter, such as the Dwyer 629, that is being used with a flow element such as Dwyer orifice plate Series OP or TE. The user-selectable, low-flow cut-off feature gives a reading of zero when the rate is below a user selectable value.

PUMP CONTROL

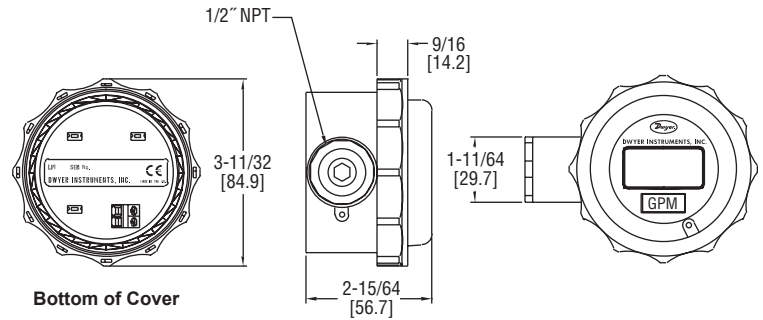
With the two or four contact output option the APM or MPM can be used as a programmable pump controller when used with a Dwyer level transmitter. The APM also has programmable on and off points for up to four pumps, quadruplex pumping systems with alternation capability. When using the 4-relay model with the four external relay accessory, the APM can do 8 contacts for any combination of pump control and 8 programmable alarms.

MODEL CHART					
Model	Model	Model	Power	Output 1	Output 2
APM-100	MPM-100	PPM-100	85 to 265 VAC	None	None
APM-101	MPM-101	PPM-101	85 to 265 VAC	None	4 to 20 mA
APM-120	MPM-120	PPM-120	85 to 265 VAC	2 relays	None
APM-121	MPM-121	PPM-121	85 to 265 VAC	2 relays	4 to 20 mA
APM-140	MPM-140	PPM-140	85 to 265 VAC	4 relays	None
APM-141	MPM-141	PPM-141	85 to 265 VAC	4 relays	4 to 20 mA
APM-200	MPM-200	PPM-200	12 to 24 VDC	None	None
APM-201	MPM-201	PPM-201	12 to 24 VDC	None	4 to 20 mA
APM-220	MPM-220	PPM-220	12 to 24 VDC	2 relays	None
APM-221	MPM-221	PPM-221	12 to 24 VDC	2 relays	4 to 20 mA
APM-240	MPM-240	PPM-240	12 to 24 VDC	4 relays	None
APM-241	MPM-241	PPM-241	12 to 24 VDC	4 relays	4 to 20 mA



LOOP POWERED PROCESS INDICATORS

Square Root Function and User Defined Curves 4-Digit LED



Bottom of Cover

The **MODEL LPI** Micro-Pressure Based Loop Powered Indicator accepts a 4-20 mA input signal and displays the associated process variable such as pressure, level, flow, temperature, or relative humidity. The indicator is housed in a NEMA 4X (IP65) polycarbonate enclosure with a 1/2" female NPT side port. Users can quickly modify the instrument configuration via three push buttons on the front of the unit.

FEATURES/BENEFITS

- NEMA 4X (IP65) enclosure for outdoor applications
- Programmable input/output scaling, engineering units, offset, decimal point position, and password protection
- Bright red four-digit LED

APPLICATIONS

- Displays process values from various transmitters

SPECIFICATIONS @ 68°F (20°C)

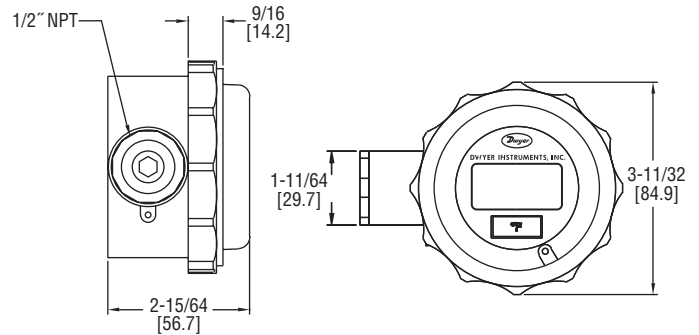
Input: 4 to 20 mA.
Maximum Input Current: 100 mA for 1 minute.
Accuracy: ±0.02% FS.
Stability: Zero: 0.002%/°C; Span: 100 ppm/°C.
Power Requirements: 2-wire 4 to 20 mA loop powered.
Display: 4-digit, 7.6 mm (high) red LED.
Maximum Display Range: -1999 to 9999.
Ambient Operating Temperature: -4 to 167°F (-20 to 75°C).
Storage Temperatures: -58 to 185°F (-50 to 85°C).
Weight: 6.0 oz (170 g).
Front Panel Protection: NEMA 4X (IP66).
Agency Approvals: CE.

MODEL CHART

Model	Description
LPI-111	Loop powered indicator with plastic enclosure

BATTERY POWERED TEMPERATURE INDICATOR

RTD or T/C Input, 4-Digit Display, Selectable °F or °C



The **SERIES BPI** Battery Powered Indicator accepts RTD or thermocouple input and provides local or remote display of temperature measurements. The indicator is housed in a NEMA 4X (IP65) enclosure for additional protection from the environment. Users can quickly modify the instrument configuration via three push buttons on the front of the unit.

FEATURES/BENEFITS

- Programmable input type, engineering units (°F/°C), offset temperature, decimal point position, and password protection
- Four-digit segmented display

APPLICATIONS

- Provides local temperature indication in areas without power availability

SPECIFICATIONS

Inputs: Thermocouple or RTD depending on model.
Accuracy: Thermocouple input: ±0.1% FS, ±0.5°C (plus sensor); RTD: ±0.2°C ±0.1% of reading (plus sensor error).
Power Requirements: 3.6 V AA lithium metal battery, included, user replaceable.
Battery Life: > 2 years.
Display: 4-digit LCD.
Resolution: 0.1°C.
Ambient Operating Temperature: 14 to 158°F (-10 to 70°C).
Storage Temperature: -4 to 185°F (-20 to 85°C).
Weight: 6.0 oz (170 g).
Front Panel Protection: NEMA 4X (IP66).
Agency Approvals: CE.

MODEL CHART

Model	Input
BPI-101	3-wire Pt100 or Ni120
BPI-102	K, J, T, N, R, S, E, or F thermocouples

MEASURING RANGES

Sensor	Range °F (°C)
K	-328 to 2498 (-200 to 1370)
J	-148 to 2192 (-100 to 1200)
T	-346 to 752 (-210 to 400)
N	-292 to 2372 (-180 to 1300)
R	14 to 3200 (-10 to 1760)
S	14 to 3200 (-10 to 1760)
E	-328 to 1832 (-200 to 1000)
F	-148 to 1112 (-100 to 600)
Pt100Ω	-148 to 1472 (-100 to 800)
Ni120	-148 to 1472 (-100 to 800)

BAR GRAPH METER

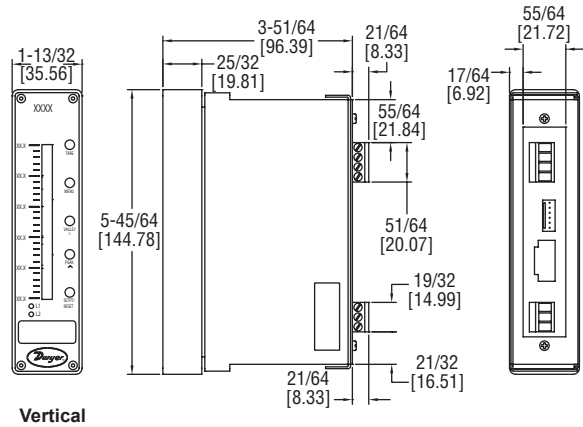
Clear Relative Position & High Resolution In One



Vertical



Horizontal



Vertical

The **SERIES BGM** Digital Bar Graph Meter is a durable option to replace a wide range of analog meters. This product utilizes a keypad that allows for easy access of features without navigating through complex menu structures. The LED bar graph can be used in addition to the 4-digit LED display, which adds a visual indicator of the measured value for better analysis.

FEATURES/BENEFITS

- Bar graph visual indicator
- High resolution for better precision
- Many configurable options to design a meter for any need

APPLICATIONS

- Visual location and indication of flow, level or air velocity

ACCESSORY	
Model	Description
A-BGM-RPM	Remote programmer module

SPECIFICATIONS

Inputs: 0 to ± 10 VDC or 4 to 20 mA.
Accuracy: $\pm 0.05\%$ FS.
Power Requirements: 120 VAC 50/60 Hz, 5 to 12 VDC, or 10 to 30 VDC model dependent.
Power Consumption: 120 VAC: 2.4 W @ 20 mA max; 5 to 12 VDC: 1.2 W @ 100 mA max; 10 to 30 VDC: 1.5 W @ 50 mA max.
Display: LED display: 4 red colored digits, 0.3" height; LED graph: 31 element bar, 0.2" W x 3.1" L (5.08 mm W x 78.74 mm L).
Decimal Point: 3 positions, user selectable.
Temperature Limits: Operating: -13 to 176°F (-25 to 80°C); Storage: -67 to 176°F (-55 to 80°C).
Enclosure Rating: NEMA 1 or NEMA 4X**, model dependent IP65 front.
Electrical Connections: Removable screw terminal blocks.
Outputs: 2 SPST relay outputs (optional).
Switch Rating: 1 A @ 200 V.
Enclosure Material: Bezel: Black epoxy enameled steel; Window: Acrylic; Case and mounting bracket: 304 SS.
Time Delay: 0.5 sec.
Weight: 40 oz (1.13 kg).
****NEMA 4X option requires A-BGM-RPM for programming**

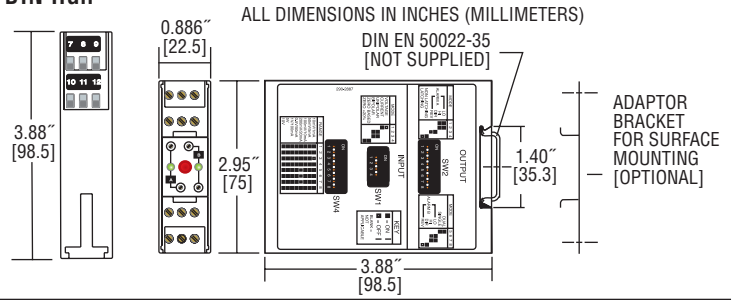
MODEL CHART										
Example	BGM	-H	0	0	-N	W	D	-AE	-AO	BGM-H00-NWD-AE-AO
Series	BGM									Bar graph meter
Orientation		H								Horizontal
		V								Vertical
Enclosure Rating			0							None
			4							NEMA 4X**
Relays				0						None
				2						2 relay outputs
Voltage Retransmission					N					None
					E					Voltage retransmission
Power Supply						W				120 VAC 50/60 Hz
						S				5 to 12 VDC
						D				10 to 30 VDC
Signal Input							D			0 to ± 10 VDC
							A			4 to 20 mA
							B			0 to 5 VDC
Scale Label*								AE		Feet
								AF		FPM
								AH		Inches w.c.
								AI		Inch/sec
								AM		Level
								AZ		Tank level
Scale Range*								AO		0 to 5
								AQ		0 to 10
								AT		0 to 20
								AV		0 to 30
								AW		0 to 40
								AX		0 to 50
								AZ		0 to 75
								BA		0 to 100

*Contact factory for additional options
 **NEMA 4X option requires A-BGM-RPM for programming



PROCESS/TEMPERATURE ALARM SWITCH MODULE

Two Form C (SPDT) Switches, Small Size, Mounts Easily on 35 mm DIN Rail



The **SERIES SC1** Limit/Alarm Switch Modules are on-off or limit switches with selectable process signal. Each unit has two form C (SPDT) relays which can operate independently, or be logically connected to operate as a DPDT output.

FEATURES/BENEFITS

- Accepts current, voltage, thermocouple, or RTD inputs
- Mounts on standard 35 mm DIN rail
- Two color LED indicator to indicate the status of each output relay
- Programmable input type, scale range, output action, and output type

APPLICATIONS

- Stand alone CO monitoring in parking garage
- Industrial processing equipment

MODEL CHART		
Model	Description	Power Supply
SC1090	4 to 20 mA, 10 to 50 mA, 0 to 20 mA, 0 to 10 V, -10 to 10 mV	85 to 265 VDC/VAC
SC1290	Thermocouple type J, K, R, S, T, E	85 to 265 VDC/VAC
SC1490	RTD Pt1000 Ni100, Ni120, Cu10, Ni-Fe1000, Ni-Fe2000	85 to 265 VDC/VAC
SCL1090	4 to 20 mA, 10 to 50 mA, 0 to 20 mA, 0 to 10 V, -10 to 10 mV	12 to 24 VDC/VAC
SCL1290	Thermocouple type J, K, R, S, T, E	12 to 24 VDC/VAC
SCL1490	RTD Pt1000 Ni100, Ni120, Cu10, Ni-Fe1000, Ni-Fe2000	12 to 24 VDC/VAC

SPECIFICATIONS

Input: See table.
Power Supply: SC models: 85 to 265 VDC/VAC, 50 to 400 Hz; SCL models: 12 to 24 VDC/VAC, 50 to 400 Hz.
Isolation: 1500V rms between outputs, input, and power.
Set Points: Adjustable 0 to 100% of span.
Deadband: Adjustable 0.25% to 100% of span.
Drift: ±0.02%/°C typical ±0.05%/°C maximum.
Ambient Temperature Range: Operating: 32 to 131°F (0 to 55°C); Storage: -40 to 176°F (-40 to 80°C).
Excitation Current: (SC1490) Cu10 Ω = 5 mA; Pt100 Ω, Ni 100 Ω, Ni 120 Ω = 500 μA; Pt 500 Ω, NiFe 1000 Ω = 100 μA; Pt 1000 Ω = 50 μA.

Lead Compensation Error: (SC1490) ≈ 0.02%/Ω.
Open Lead Protection: (SC1490) upscale only.
Input Impedance: SC1090: Voltage input = 1 MΩ, current input = 10 Ω; SC1290: 3 MΩ.
Sensor Burnout Protection: Selectable.
Relay Output: Form C, SPDT, one per set point, 5A @ 250 VAC, resistive.
Latch Circuit Reset: Automatic at power up. Manual with reset switch on front of module.
Indicators: One dual color LED per set point. Red = relay on, green = relay off.
Wiring Terminals: Screw driven compression type.

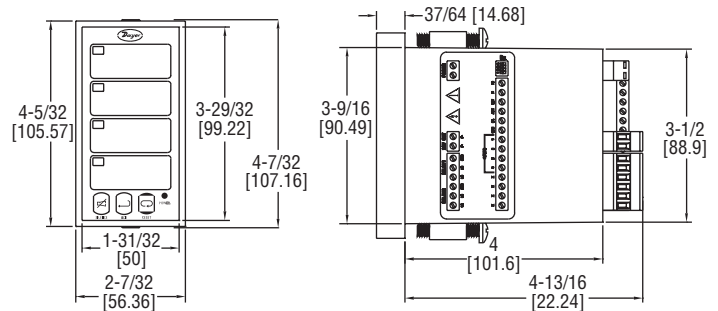
ACCESSORY

Model	Description
A-360	Aluminum DIN rail 1 m



INDICATING ALARM ANNUNCIATOR

Up to 8 Inputs, Integral Power Supply



The **SERIES AN2** Indicating Alarm Annunciator provides visible and audible alarms for up to eight inputs. Audible alarm conditions can be acknowledged, reset, or silenced either via the front panel push buttons or the rear terminal block. The annunciator also has two SPDT relay outputs that can be used to initiate external alarms, buzzers, or paging devices.

FEATURES/BENEFITS

- Includes integral 24 VDC power supply to power most switches
- Can be set to any common ISA sequences

APPLICATIONS

- Water and wastewater panels
- Tank level monitoring
- Temperature monitoring process

SPECIFICATIONS

Inputs: NO or NC switches, open collector transistor (open circuit voltage = 3.3 VDC); Logic levels: LO = 0 to 0.9 VDC, HI = 2.4 to 28 VDC (100 KΩ input impedance).
Outputs: Two SPDT relay (3A @ 250 VAC or 30 VDC, resistive; 1/14 HP @ 125/250 VAC, inductive).
Temperature Limits: -40 to 149°F (-40 to 65°C).

Power Requirements: 85 to 265 VAC 50/60 Hz, 90 to 265 VDC; 12 to 36 VDC, 12 to 24 VAC (depending on model).
Power Consumption: 20 W (6 W on low voltage models).
Mounting: 1/8 DIN.
Housing Material: UL rated 94V-0 high impact plastic.
Enclosure Rating: NEMA 4X (IP66) front panel.
Weight: 9.6 oz (272 g).
Agency Approvals: CE, UL.

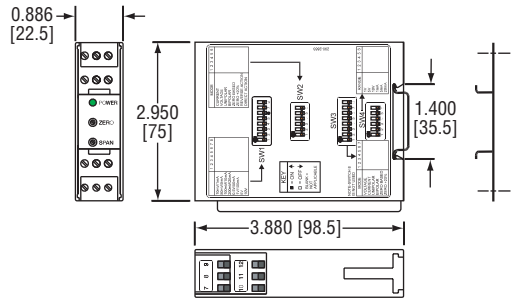
MODEL CHART

Model	Number of Outputs	Power Supply
AN24-1	4	85 to 265 VAC
AN24-2	4	12 to 36 VDC
AN28-1	8	85 to 265 VAC
AN28-2	8	12 to 36 VDC



ISO VERTER® II SIGNAL CONDITIONING MODULES

Accepts Virtually All Standard Process Signals



The **SERIES SC4** Iso Verter® II Signal Conditioning Modules completely isolate the input from the output and from ground. The SC4380 Process Signal Converter/Isolator accepts virtually all standard process signals as input, and isolates and retransmits the signal in either the same units or any other standard process signal. The SC4151 RTD Transmitters and SC4130 Thermocouple Transmitters both offer a fixed scale range input, which is selected when ordered, and a linearized, isolated, field selectable 4 to 20 mA or 0 to 10 VDC output.

FEATURES/BENEFITS

- Up to 1500 VAC RMS electrical isolation
- Easily installed on industry standard 35 mm DIN rail
- Low voltage SCL units also available

APPLICATIONS

- Signal conditioners used in panels for isolation
- Converting signals for boilers and control systems

MODEL CHART	
Model	Description
SC4130	Thermocouple transmitters
SCL4130	Low voltage thermocouple transmitters
SC4151	RTD transmitters
SCL4151	Low voltage RTD transmitters
SC4380	Iso Verter® II process signal converter/isolators
SCL4380	Low voltage Iso Verter® II process signal converter/isolators

OPTIONS - SC4130 & SCL4130

To order add suffix:	Description
A	J, -100 to 200°C
C	J, 0 to 100°C
D	J, 0 to 500°F
E	J, 0 to 250°C
F	J, 0 to 750°C
G	J, 0 to 1000°F
H	K, -150 to 350°F
J	K, -100 to 200°C
K	K, 0 to 500°F
L	K, 0 to 250°C
M	K, 0 to 1000°F
N	K, 0 to 500°C
P	K, 0 to 2000°F
R	K, 0 to 1000°C
S	T, -300 to 250°F
T	T, -200 to 200°C

OPTIONS - SC4151 & SCL4151

To order add suffix:	Description
A	DIN, -100 to 200°C
B	DIN, 0 to 100°C
C	DIN, 0 to 150°C
D	DIN, 0 to 200°F
E	DIN, 0 to 200°C
F	DIN, 0 to 400°F
G	DIN, 0 to 250°C
H	DIN, 0 to 500°F
J	DIN, 0 to 500°C
K	DIN, 0 to 1000°F

ACCESSORY

Model	Description
A-360	Aluminum DIN rail 1 m

SPECIFICATIONS

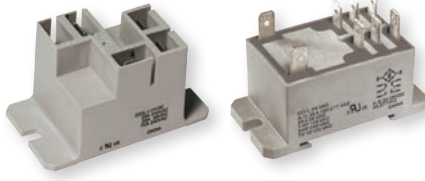
Isolation: 1500 VAC RMS.
Linearity: 0.1% FS.
Drift: ±0.02%/°C typical, ±0.05%/°C maximum.
Power Supply: SC: 85 to 265 VDC/VAC 50 to 400 Hz; SCL: 12 to 24 VDC/VAC 50 to 400 Hz.
Output Loads: Current: 600 Ω max voltage: 500 Ω min (20 mA maximum).
Input Characteristics: SC4380: Voltage: 1 MΩ impedance; Current: 10 Ω; SC4151: RTD Search current < 500 μA; SC4130: 3 MΩ impedance.
Case Size: 0.866" W (22.5 mm) x 2.950" H (75.0 mm) x 3.880" D (98.5 mm).
Mounting: Mounts on industry standard 35 mm DIN Rail (DIN EN50022-35).

OPERATING RANGES - SC4380 & SCL4380

Inputs		Outputs	
Current	Voltage	Current	Voltage
0 to 5 mA	0 to 100 mV	0 to 1 mA	0 to 1 V
0 to 10 mA	0 to 200 mV	0 to 5 mA	0 to 5 V
0 to 10 mA	0 to 500 mV	0 to 20 mA	0 to 10 V
0 to 20 mA	0 to 1 V	1 to 5 mA	1 to 5 V
0 to 50 mA	0 to 5 V	4 to 20 mA	2 to 10 V
0 to 100 mA	0 to 10 V		
1 to 5 mA	1 to 5 V		
4 to 20 mA	2 to 10 V		
10 to 50 mA			

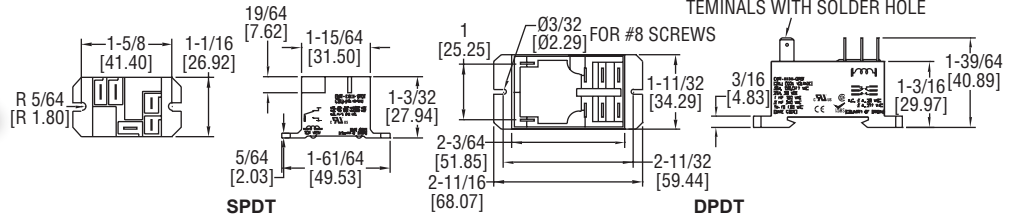
ELECTROMECHANICAL RELAY

30 Amp, SPDT and DPDT Operation



SPDT

DPDT



The **SERIES 9** Electromechanical Relay is small in size, features Class F insulation for a max coil temperature of 155°C, quick-connect terminals for simple connection, and is panel mountable. The relays are compact and impervious to shock and vibration.

FEATURES/BENEFITS

- Compact size for flange mounting
- Quick-connect terminals to allow for easy installation

APPLICATIONS

- Motor control
- Lighting control
- Refrigeration compressor systems

Model	Operation	Input Voltage	Coil Resistance
9AS5A5224	AC	24 VAC 50/60 Hz	500 Ω
9AS5A52120	AC	120 VAC 50/60 Hz	3000 Ω
92S11A22D24	AC	24 VAC 50/60 Hz	250 Ω
92S11A22D120	AC	120 VAC 50/60 Hz	1600 Ω
9AS5D5224	DC	24 VDC	576 Ω
92S11D22D12	DC	12 VDC	86 Ω
92S11D22D24	DC	24 VDC	1600 Ω

SPECIFICATIONS

Operating and Load Voltage Range: 12 to 277 VAC; 5 to 110 VDC.

Electrical Connection: Quick-connect tab terminals. SPDT 0.187" coil terminal/0.25" contact terminal; DPDT 0.25" coil terminal/0.25" contact terminal.

Switching Operation: SPDT or DPDT.

Electrical Rating: SPDT: NO 30 A @ 240 VAC / 28 VDC; NC 10 A @ 240 VAC / 28 VDC; DPDT: 30 A @ 240 VAC 20 A @ 28 VDC.

Temperature Limits: Storage: -40 to 185°F (-40 to 85°C); Operation: -40 to 131°F (-40 to 55°C).

Voltage Loss: 2.5 VA (VAC); 1W (VDC).
Cycle Life: 100,000 cycles (electrical); 10,000,000 cycles (mechanical).

Housing: Polyester resin.

Weight: 1.16 oz (45 g) (SPDT); 3 oz (85 g) (DPDT).

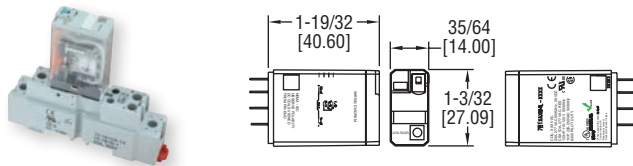
Agency Approvals: CE, cULus, (EMR-XXXX-DPDT), cURus (EMR-XXXX-SPDT).

ACCESSORIES

Model	Description
16-9ADIN1	Din adaptor
A-360	Aluminum DIN rail 1 m

ICE CUBE RELAYS

SPDT or DPDT Operation



781

Pictures shown with socket accessory (sold separately)

782



The **SERIES 781 & 782** Electromechanical Ice Cube Relays are full-featured relays that can be used to handle loads up to 20 amps for AC or DC circuits. It features a flag status indicator and a LED status lamp to let the user know when the relay is activated. In order to differentiate between AC and DC actuated models, the push-to-test button is color coded and a removable lock-down lever holds the test button in place.

FEATURES/BENEFITS

- Clear plastic housing to easily view the contacts
- Flag and LED status indicators for visual confirmation of relay state
- Socket mounted for quick installation/replacement

APPLICATIONS

- Refrigeration compressor systems
- HVAC motor controls
- Water/wastewater pump control

SPECIFICATIONS

Operating and Load Voltage Range: 24 to 240 VAC; 24 VDC.

Electrical Connection: Silver alloy plug-in contacts.

Switching Operation: SPDT or DPDT.

Electrical Rating: Depends on model, see model chart.

Temperature Limits: Storage: -40 to 185°F (-40 to 85°C); Operation: -40 to 131°F (-40 to 55°C).

Power Consumption: 781: 0.9 VA; 0.7W; 782: 1.2 VA; 0.9W.

Cycle Life: 100,000 cycles (electrical); 10,000,000 cycles (mechanical).

Housing: Plastic polycarbonate.

Weight: 781: 1.02 oz (29 g); 782: 1.3 oz (36 g).

Agency Approvals: CE, CSA, cULus, cURus.

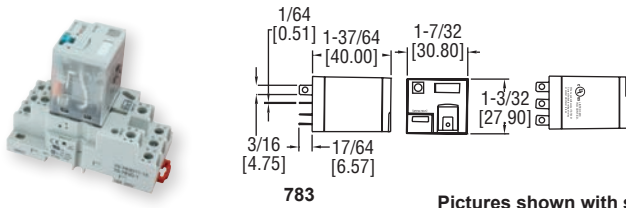
ACCESSORIES

Model	Description
70-781D5-1A	Socket for 781 series relay
70-782D8-1A	Socket for 782 series relay

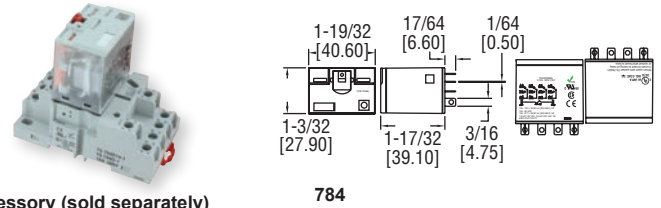
Model	Operation	Input Voltage	Coil Resistance	Electrical Rating
781XAXM4L-24A	AC	24 VAC 50/60 Hz	180 Ω	20 A @ 120/277 VAC (50/60Hz) or 28 VDC
781XAXM4L-120A	AC	120 VAC 50/60 Hz	4430 Ω	20 A @ 120/277 VAC (50/60Hz) or 28 VDC
781XAXM4L-240A	AC	240 VAC 50/60 Hz	15720 Ω	20 A @ 120/277 VAC (50/60Hz) or 28 VDC
781XAXM4L-24D	DC	24 VDC	750 Ω	20 A @ 120/277 VAC (50/60Hz) or 28 VDC
782XBX4L-24A	AC	24 VAC 50/60 Hz	180 Ω	15 A @ 120 VAC 50/60Hz; 12 A @ 277 VAC 50/60 Hz or 28 VDC (UL); 10 A @ 277 VAC 50/60 Hz (CSA)
782XBX4L-120A	AC	120 VAC 50/60 Hz	4430 Ω	15 A @ 120 VAC 50/60Hz; 12 A @ 277 VAC 50/60 Hz or 28 VDC (UL); 10 A @ 277 VAC 50/60 Hz (CSA)
782XBX4L-240A	AC	240 VAC 50/60 Hz	15720 Ω	15 A @ 120 VAC 50/60Hz; 12 A @ 277 VAC 50/60 Hz or 28 VDC (UL); 10 A @ 277 VAC 50/60 Hz (CSA)
782XBX4L-24D	DC	24 VDC	650 Ω	15 A @ 120 VAC 50/60Hz; 12 A @ 277 VAC 50/60 Hz or 28 VDC (UL); 10 A @ 277 VAC 50/60 Hz (CSA)

ICE CUBE RELAYS

3PDT or 4PDT Operation



783



784

Pictures shown with socket accessory (sold separately)

The **SERIES 783 & 784** Electromechanical Ice Cube Relays are full-featured relays that can be used to handle loads up to 20 amps for AC or DC circuits. It features a flag status indicator and a LED status lamp to let the user know when the relay is activated. In order to differentiate between AC and DC actuated models, the push-to-test button is color coded and a removable lock-down lever holds the test button in place.

FEATURES/BENEFITS

- Clear plastic housing to easily view the contacts
- Flag and LED status indicators for visual confirmation of relay state
- Socket mounted for quick installation/replacement

APPLICATIONS

- Refrigeration compressor systems
- HVAC motor controls
- Water/wastewater pump control

SPECIFICATIONS

Operating and Load Voltage Range: 24 to 240 VAC; 24 VDC.
Electrical Connection: Silver alloy plug-in contacts.
Switching Operation: 3PDT or 4PDT.
Electrical Rating: 15 A @ 120 VAC 50/60 Hz; 12 A @ 277 VAC 50/60 Hz or 28 VDC.
Temperature Limits: Storage: -40 to 185°F (-40 to 85°C); Operation: -40 to 131°F (-40 to 55°C).
Power Consumption: 783: 1.5 VA; 1.4 W; 784: 1.5 VA; 1.5 W.
Cycle Life: 100,000 cycles (electrical); 10,000,000 cycles (mechanical).
Housing: Plastic polycarbonate.
Weight: 783: 2.1 oz (60 g); 784: 2.8 oz (80 g).
Agency Approvals: CE, CSA, cULus, cURus.

MODEL CHART

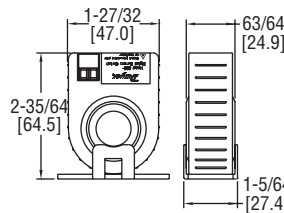
Model	Operation	Input Voltage	Coil Resistance
783XCXM4L-24A	AC	24 VAC 50/60 Hz	103 Ω
783XCXM4L-120A	AC	120 VAC 50/60 Hz	2770 Ω
783XCXM4L-24D	DC	24 VDC	400 Ω
784XDXM4L-24A	AC	24 VAC 50/60 Hz	84.5 Ω
784XDXM4L-120A	AC	120 VAC 50/60 Hz	2220 Ω
784XDXM4L-24D	DC	24 VDC	388 Ω

ACCESSORIES

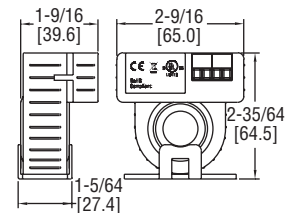
Model	Description
70-783D11-1A	Socket for 783 series relay
70-784D14-1	Socket for 784 series relay
70-ASMM-24	Protection modules, MOV suppressor, 24 VAC/VDC
70-ASMM-120	Protection modules, MOV suppressor, 120 VAC/VDC
70-ASMD-250	Protection modules, protection diode, 6 to 250 VDC
16-750/788CBJ-1	Coil bus jumpers

CURRENT SWITCHES

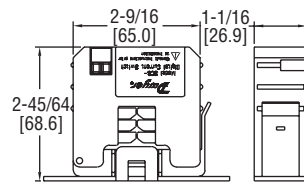
Optional Relay Output, Solid or Split Core Case



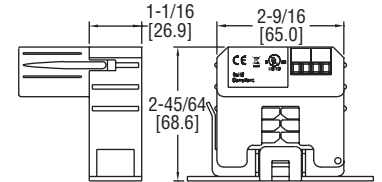
SCS-11100 and SCS-120025



SCS-11100-R



SCS-220015, SCS-220150, and SCS-211125



SCS-220150-R and SCS-211125-R

The **SERIES SCS** Low Cost Current Switches are ideal for monitoring whether fans, pumps, or motors are operating. The current flowing through the core of the device powers the circuit without an external power supply. All models have a built in solid state output and are easy to install. Optional LED's and 10 Amp relay modules are available. The Series SCS is available in both split and solid core configurations.

SPECIFICATIONS

Output: Isolated, 1 A @ 30 VAC/DC max, NO.
External Relay: SPST N.O., 10 A at 260 VAC (5 A at 30 VDC).
Power Requirements: None, self-powered.
Temperature Limits: 5 to 140°F (-15 to 60°C).
Isolation Voltage: 600 VAC RMS.
Frequency: 50/60 Hz.
Enclosure Rating: UL, 94 V-O flammability rated, ABS plastic housing.
Agency Approvals: CE, cULus.

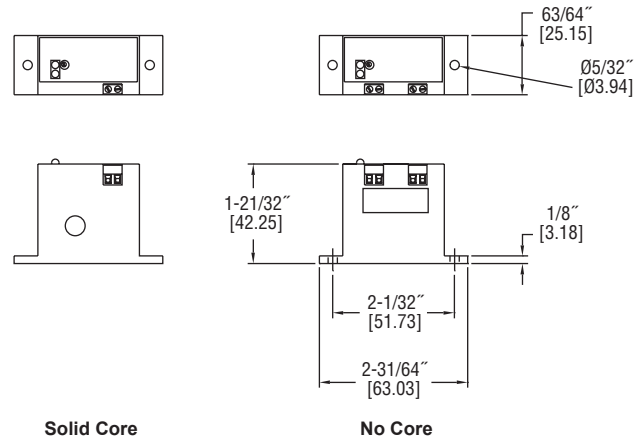
MODEL CHART

Model	Case	Amperage Range	Set Point	Switch Mode	Snap-on Relay	Model	Case	Amperage Range	Set Point	Switch Mode	Snap-on Relay
SCS-120025	Solid	.25 to 200 A	0.25 fixed	Under	No	SCS-220150	Split	1.5 to 200 A	1.5 fixed	Under	No
SCS-111100	Solid	1 to 135 A	Adjustable	Over/under	No	SCS-211125	Split	1.25 to 135 A	Adjustable	Over/under	No
SCS-111100-R	Solid	1 to 135 A	Adjustable	Over/under	Yes	SCS-220150-R	Split	1.5 to 200 A	1.5 fixed	Over/under	Yes
SCS-220015	Split	.15 to 200 A	0.15 fixed	Under	No	SCS-211125-R	Split	1.25 to 135 A	Adjustable	Over/under	Yes



MINIATURE CURRENT SWITCH

Low Cost, Solid or No Core, LED Confirmation, Adjustable Set Point



The **SERIES MCS** Miniature Current Switches are ideal for monitoring the current usage in fuse boxes and small control panels. Both models have adjustable set points and LED indication to show there is power to the unit and when the switch activates. Set points can be adjusted using the potentiometer next to the LED's. Due to the size of the switch, it is only offered in solid core and no core versions. The no core version has terminal blocks which can accept currents up to 1 A directly into the unit.

SPECIFICATIONS

Amperage Range: MCS-111050: 0.5 to 50 AAC continuous; MCS-111001: 0.01 to 1 AAC continuous.
Output Rating: Isolated, N.O. 0.3 A @ 130 V DC/AC.
Power Requirements: None, self-powered.
Hysteresis: 1%.
Response Time: <200 ms.
Temperature Limits: 32 to 122°F (0 to 50°C).
Humidity Limits: 10 to 95% RH (non-condensing).
Enclosure Rating: UL 94 V-0 flammability rated ABS, insulation class 600 V.
Weight: 0.5 oz (14.5 g).
Agency Approvals: CE, cULus.

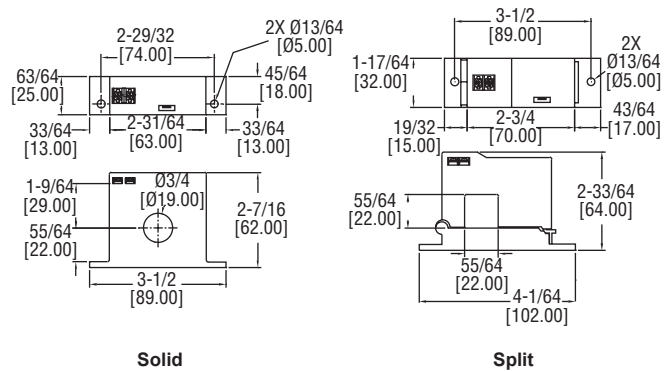
MODEL CHART

Model	Case	Set Point	Minimum Set Point	LED
MCS-111050	Solid core	Adjustable	0.50	Red/geen
MCS-111001	No core (terminal connection)	Adjustable	0.01	Red/green



CURRENT SWITCHES

Solid or Split Core, LED Visual Confirmation, Fixed or Adjustable Set Point



The **SERIES CCS** Current Switches are ideal for monitoring the operating status of fans, pumps, and motors. These self-powered switches can be hung or tied directly to cables or wires. For use on existing installations, split core models can be installed without disconnecting cables. LED indicators provide a visual confirmation that the current is flowing through the core. Both fixed and adjustable set points are available. The adjustable models utilize a potentiometer to easily adjust the set point.

SPECIFICATIONS

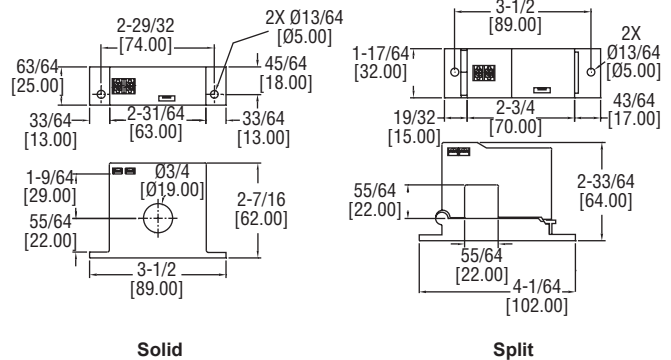
Amperage Range: 0 to 200 AAC.
Maximum Switch Rating: For dry contact models: 0.3 A @ 135 VAC/DC; For non-dry contact models: 1 A @ 240 VAC.
Power Requirements: None, self-powered.
Temperature Limits: -22 to 158°F (-30 to 70°C).
Humidity Limits: 0 to 95% (non-condensing).
Isolation Voltage: 2000 V.
Frequency: 40 to 400 Hz.
Enclosure Rating: UL 94 V-0 flammability rated, ABS plastic housing.
Agency Approvals: CE, cULus.

MODEL CHART

Model	Case	Set Point	Minimum Set Point	LED	Dry Contact Output
CCS-121050	Solid core	Fixed	0.50	Red	Yes
CCS-111100	Solid core	Adjustable	1.00	Red/green	No
CCS-221100	Split core	Fixed	1.00	Red	Yes
CCS-211150	Split core	Adjustable	1.50	Red/green	No
CCS-131100	Solid core	Adjustable	1.00	Red/green	Yes
CCS-231150	Split core	Adjustable	1.50	Red/green	Yes

CURRENT TRANSFORMERS

Solid or Split Core, Field Selectable Range



The **SERIES CCT40/50** Current Transformers are a low cost alternative for measuring power and monitoring the operation of fans, pumps, or other equipment. For use on existing installations, split core models can be installed without disconnecting cables. Each model offers three jumper selectable ranges and a choice of three different outputs.

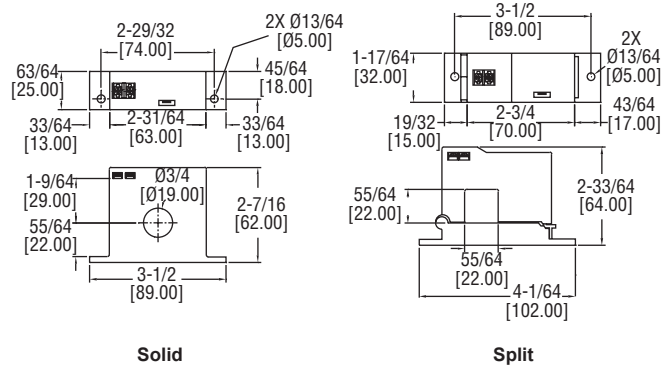
Model	Range	Output	Power Requirements	Case
CCT40-202	10/20/50 A	0 to 5 V	Self-powered	Solid core
CCT50-202	100/150/200 A	0 to 5 V	Self-powered	Solid core
CCT40-102	10/20/50 A	0 to 5 V	Self-powered	Split core
CCT50-102	100/150/200 A	0 to 5 V	Self-powered	Split core
CCT40-203	10/20/50 A	0 to 10 V	Self-powered	Solid core
CCT50-203	100/150/200 A	0 to 10 V	Self-powered	Solid core
CCT40-200	10/20/50 A	4 to 20 mA	15 to 42 VDC, loop powered	Solid core
CCT50-200	100/150/200 A	4 to 20 mA	15 to 42 VDC, loop powered	Solid core
CCT40-100	10/20/50 A	4 to 20 mA	15 to 42 VDC, loop powered	Split core
CCT50-100	100/150/200 A	4 to 20 mA	15 to 42 VDC, loop powered	Split core

SPECIFICATIONS

Amperage Range: Field selectable; up to 200 A (depending on model).
Output: 0 to 5 V, 0 to 10 V, or 4 to 20 mA (depending on model).
Power Requirements: Self-powered or 15 to 42 VDC loop powered (depending on model).
Accuracy: 1%.
Temperature Limits: -22 to 158°F (-30 to 70°C).
Humidity Limits: 0 to 95% (non-condensing).
Response Time: 250 ms to 90%.
Isolation Voltage: 2000 V.
Frequency: 10 to 400 Hz.
Enclosure Rating: UL 94 V-O flammability rated, ABS plastic housing.
Agency Approvals: CE, cULus.

TRUE RMS CURRENT TRANSFORMERS

Solid or Split Core, Field Selectable Range



The **SERIES CCT60/70** True RMS Current Transformers are a low cost alternative for providing true RMS outputs on distorted AC waveforms. True RMS outputs are ideal for nonlinear loads or noisy circuits. For existing installations, split core models can be installed without disconnecting cables. Each model offers three jumper selectable ranges to reduce the risk of ordering the wrong model.

Model	Range	Case
CCT60-200	10/20/50 A	Solid core
CCT70-200	100/150/200 A	Solid core
CCT60-100	10/20/50 A	Split core
CCT70-100	100/150/200 A	Split core

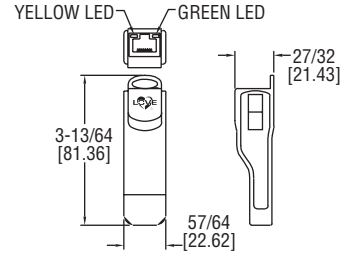
SPECIFICATIONS

Amperage Range: Up to 200 A (depending on model).
Output: 4 to 20 mA, true RMS.
Power Requirements: 24 VDC nominal.
Accuracy: 1%.
Temperature Limits: -22 to 158°F (-30 to 70°C).
Humidity Limits: 0 to 95% (non-condensing).
Response Time: 250 ms to 90%.
Isolation Voltage: 2000 V.
Frequency: 10 to 400 Hz.
Enclosure Rating: UL 94 V-O flammability rated, ABS plastic housing.
Agency Approvals: CE, cULus.



MINI-NODE™ COMMUNICATION SIGNAL CONVERTER

Converts RS-485 to USB, Integral USB Connector, No External Power

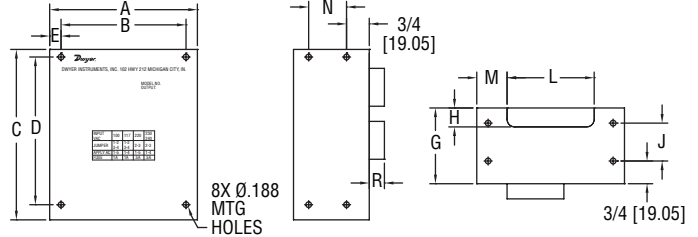


The **MODEL MN-1** Mini-Node™ Communication Signal Converter is a low cost device that converts half duplex RS-485 serial communications signals into a signal that can be read by any computer with a USB port. The integral USB connector and RJ-45 connector reduces set up time by eliminating extra wiring. The Model MN-1 is powered via the USB connection which eliminates the need for an external power source. The compact size is great for field installation, control panels, and lab testing.

MODEL CHART	
Model	Description
MN-1	Mini-Node™ USB to RS-485 converter

SPECIFICATIONS	
Power Requirements:	No external power required.
Power Consumption:	0.4 W.
Isolated Voltage:	3000 VDC.
Input Impedance:	96 kΩ.
USB Connector:	B-type (female).
RS-485 Connector:	RJ-45.
Baud Rate:	75, 150, 300, 600, 1200, 2400, 4800, 9600, 19200, 38400, 57600, and 115200 bps.
Compatibility:	Full compliance with USB V.2.0 specification.

POWER SUPPLY



Dim.	0.5 amp	2.4 amp	4.8 amp	Dim.	0.5 amp	2.4 amp	4.8 amp	Dim.	0.5 amp	2.4 amp	4.8 amp
A	4 [101.6]	4-7/8 [123.83]	9 [228.6]	E	25/64 [9.92]	1/4 [6.35]	1/2 [12.7]	L	17/64 [14.68]	2-55/64 [72.63]	-
B	3-3/8 [85.73]	4-1/8 [104.78]	8 [203.2]	G	1-5/8 [41.28]	2-1/2 [63.5]	2-3/4 [69.85]	M	51/64 [20.24]	1-1/32 [26.19]	-
C	4-7/8 [123.84]	5-5/8 [142.88]	4-7/8 [123.83]	H	37/64 [14.68]	43/64 [17.07]	-	N	-	1-1/4 [31.75]	1-1/4 [31.75]
D	4-1/8 [104.78]	4-7/8 [123.83]	4-1/8 [104.78]	J	-	1-1/4 [31.75]	1-1/4 [31.75]	R	29/64 [11.51]	29.64 [11.51]	17/32 [13.49]

The economical and reliable **SERIES A-700** power supply is suitable for powering all Dwyer pressure, temperature or air velocity transmitters. Inexpensive, open-frame design allows convenient access to input/output solder terminals. Auxiliary inputs are selectable for operation from power sources found worldwide. Compact size eases enclosure installations.

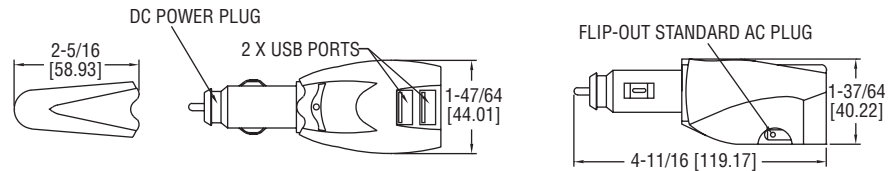
MODEL CHART	
Model	Description
A-700	0.5 A
A-700-2	2 A
A-700-4	4.8 A

SPECIFICATIONS	
AC Input:	100/120/220/230-240 VAC ±10%, 47-63 Hz.
DC Output:	24 to 28 VDC regulated.
Maximum Current Output:	A-700: 0.5 A @ 60 Hz, 0.45 A @ 50 Hz; A-700-2: 2 A @ 60 Hz, 1.8 A @ 50 Hz; A-700-3: 4.8 A @ 60 Hz, 4.5 A @ 50 Hz.
Operating Temperature:	32 to 122°F (0 to 50°C).
External Fuse Required:	0.5 A for 100 to 120 VAC, 0.25 A for 220 to 240 VAC.
Dimensions:	4-7/8"H x 4"W x 1-5/8"D.
Weight:	2 lb.



USB DUAL POWER

Charge Two USB Devices at Once!



The **MODEL KF-CC-304** USB Dual Power charger keeps you plugged-in and powered-up at home and on the road. Featuring a robust charging capacity of 1.5 amps, two USB ports for the simultaneous charging of two devices, and a pocket-friendly 2-in-1 design for both wall charging and auto charging, the USB Dual Power is the ultimate charging accessory for USB-powered portable electronics!

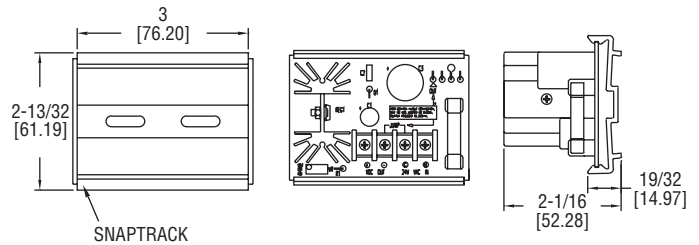
- FEATURES/BENEFITS**
- Provides 1.5 amps of charging power
 - Charge two USB devices at once
 - Use at home or in the car
 - Built-in safety fuse to protect your devices
 - Sleek, pocket-friendly design
 - LED light indicates ready power source

SPECIFICATIONS	
Input:	100 to 240 VAC 50/60 Hz 0.15 A 12 to 24 VDC.
Output:	Terminal Voltage Current: USB port 1: 5.0 V = 1.5 A; USB port 2: 5.0 V = 1.5 A; USB port 1 + 2: 5.0 V = 750 + 750 mA.
Agency Approvals:	CE.

MODEL CHART	
Model	Description
KF-CC-304	USB dual power

LOW COST DC POWER SUPPLY

Regulated 0.5 A, 1 A Fuse Protection



The **MODEL BPS-005** Low Cost DC Power Supply is a regulated .5 A power supply that accepts 24 VAC input and provides an adjustable 1.5 to 29 VDC output. Output voltage adjustments are made using the on-board potentiometer while measuring the output with a multimeter. A compact snap track design allows the power supply to be surface mounted within a panel.

SPECIFICATIONS

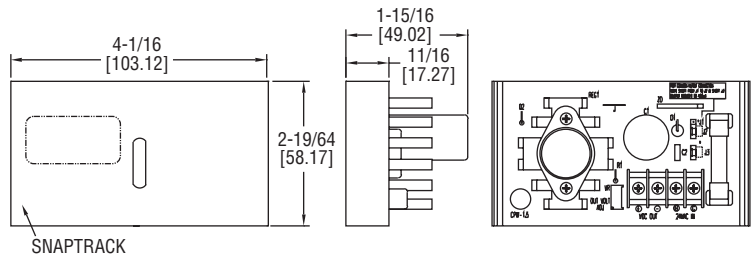
Input: 24 VAC/VDC 50/60 Hz.
Output: 24 VDC (full wave rectified and regulated) adjustable 1.5 to 29 VDC, 0.5 A max.
Maximum Current Output: 0.5 A.
Over-Current Protection: 1 A fuse.
Operating Temperature: 32 to 130°F (0 to 55°C).
Humidity Limits: 95% (non-condensing).
Weight: 0.4 lb.
Agency Approvals: Meets the technical requirements of EU Directive 2011/65/EU (RoHS II).

MODEL CHART

Model	Description
BPS-005	Low cost DC power supply

LOW COST DC POWER SUPPLY

Regulated 1.5 A, 3 A Fuse Protection



The **MODEL BPS-015** Building Automation Power Supply is used to convert 24 VAC to a regulated DC power source for transmitters with 4 to 20 mA outputs. The output voltage can be field adjusted from 1.5 V to 27 V using a potentiometer. The 3 A fuse protects the power supply from over-current conditions. The snap-on bracket can be quickly surface mounted to any flat surface.

SPECIFICATIONS

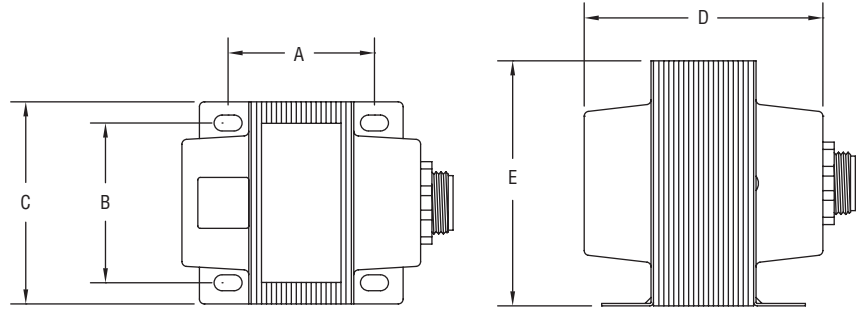
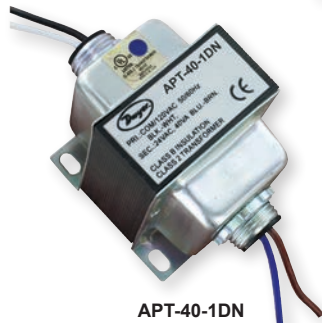
Input: 24 VAC/VDC 50/60 Hz.
Output: 24 VDC (full wave rectified and regulated) adjustable 1.5 to 27 VDC.
Maximum Current Output: 1.5 A (de-rated to 400 mA for non-isolated circuits).
Temperature Limits: 32 to 130°F (0 to 55°C).
Humidity Limits: 95% (non-condensing).
Weight: 0.4 lb.

MODEL CHART

Model	Description
BPS-015	Power supply

AC POWER TRANSFORMERS

20 VA to 150 VA, Single or Dual Hub, Circuit Breaker, UL Class 2



Model	Dimensions in [mm]				
	A	B	C	D	E
APT-20-0SN	1-31/64 (37.6)	1-21/32 (41.9)	1-7/8 (47.5)	2-17/64 (57.4)	2-39/64 (66.2)
APT-20-1SN	1-31/64 (37.6)	1-21/32 (41.9)	1-7/8 (47.5)	2-17/64 (57.4)	2-39/64 (66.2)
APT-40-0SN	1-61/64 (49.5)	1-25/32 (45.2)	2-11/64 (55.0)	2-43/64(68.0)	2-7/8 (73.0)
APT-40-1SN	1-61/64 (49.5)	1-25/32 (45.2)	2-11/64 (55.0)	2-43/64(68.0)	2-7/8 (73.0)
APT-40-1DN	1-61/64 (49.5)	1-25/32 (45.2)	2-11/64 (55.0)	2-43/64(68.0)	2-7/8 (73.0)
APT-40-2SN	1-61/64 (49.5)	1-25/32 (45.2)	2-11/64 (55.0)	2-43/64(68.0)	2-7/8 (73.0)
APT-40-2DN	1-61/64 (49.5)	1-25/32 (45.2)	2-11/64 (55.0)	2-43/64(68.0)	2-7/8 (73.0)
APT-40-3SN	1-61/64 (49.5)	1-25/32 (45.2)	2-11/64 (55.0)	2-43/64(68.0)	2-7/8 (73.0)
APT-40-5DN	1-61/64 (49.5)	1-25/32 (45.2)	2-11/64 (55.0)	2-3/4 (70.0)	2-7/8 (73.0)
APT-50-1SN	1-13/16 (46.0)	1-31/32 (50.2)	2-1/2 (63.5)	2-61/64 (75.0)	3-1/32 (77.0)
APT-50-1DN	1-61/64 (49.5)	1-25/32 (45.2)	2-11/64 (55.0)	2-3/4 (70.0)	2-7/8 (73.0)
APT-50-1SB	1-13/16 (46.0)	1-31/32 (50.2)	2-1/2 (63.5)	3-31/64 (88.5)	3-1/32 (77.0)
APT-50-1DB	1-13/16 (46.0)	1-31/32 (50.2)	2-1/2 (63.5)	3-31/64 (88.5)	3-1/32 (77.0)
APT-50-2SN	2-1/32 (51.5)	1-25/32 (45.2)	2-11/64 (55.0)	2-3/4 (70.0)	2-7/8 (73.0)
APT-50-2DN	1-61/64 (49.5)	1-31/32 (50.2)	2-11/64 (55.0)	2-3/4 (70.0)	2-7/8 (73.0)
APT-50-2SB	1-13/16 (46.0)	1-31/32 (50.2)	2-1/2 (63.5)	3-7/16 (87.1)	3-1/32 (77.0)
APT-50-2DB	1-13/16 (46.0)	1-31/32 (50.2)	2-1/2 (63.5)	3-7/16 (87.1)	3-1/32 (77.0)
APT-50-5SB	1-13/16 (46.0)	1-31/32 (50.2)	2-1/2 (63.5)	3-7/16 (87.1)	3-1/32 (77.0)
APT-50-5DB	1-13/16 (46.0)	1-31/32 (50.2)	2-1/2 (63.5)	3-7/16 (87.1)	3-1/32 (77.0)
APT-75-1SB	2-13/64 (56.0)	1-31/32 (50.2)	2-1/2 (63.5)	3-7/8 (98.5)	3-1/32 (77.0)
APT-75-1DB	2-13/64 (56.0)	1-31/32 (50.2)	2-1/2 (63.5)	3-7/8 (98.5)	3-1/32 (77.0)
APT-75-2SB	2-13/64 (56.0)	1-31/32 (50.2)	2-1/2 (63.5)	3-7/8 (98.5)	3-1/32 (77.0)
APT-75-2DB	2-13/64 (56.0)	1-31/32 (50.2)	2-1/2 (63.5)	3-53/64 (97.1)	3-1/32 (77.0)
APT-75-5SB	2-13/64 (56.0)	1-31/32 (50.2)	2-1/2 (63.5)	3-53/64 (97.1)	3-1/32 (77.0)
APT-75-5DB	2-13/64 (56.0)	1-31/32 (50.2)	2-1/2 (63.5)	3-53/64 (97.1)	3-1/32 (77.0)
APT-100-1SB	2-13/32 (61.0)	1-31/32 (50.2)	2-1/2 (63.5)	4-5/64 (103.5)	3-1/32 (77.0)
APT-100-1DB	2-13/32 (61.0)	1-31/32 (50.2)	2-1/2 (63.5)	4-5/64 (103.5)	3-1/32 (77.0)
APT-100-1DB-20*	2-13/32 (61.0)	1-31/32 (50.2)	2-1/2 (63.5)	4-5/64 (103.5)	3-1/32 (77.0)
APT-100-2SB	2-13/32 (61.0)	1-31/32 (50.2)	2-1/2 (63.5)	4-5/64 (103.5)	3-1/32 (77.0)
APT-100-2DB	2-13/32 (61.0)	1-31/32 (50.2)	2-1/2 (63.5)	4-1/32 (102.1)	3-1/32 (77.0)
APT-100-5SB	2-39/64 (66.0)	1-31/32 (50.2)	2-1/2 (63.5)	4-1/4 (107.1)	3-1/32 (77.0)
APT-100-5DB	2-39/64 (66.0)	1-31/32 (50.2)	2-1/2 (63.5)	4-1/4 (107.1)	3-1/32 (77.0)
APT-150-1DB	2-33/64 (64.0)	1-31/32 (50.2)	2-1/2 (63.5)	3-9/16 (90.5)	3-1/32 (77.0)

*20" wire 18 AWG leads.

The **SERIES APT** AC Power Transformers provide isolated step-down to 24 VAC with models offering VA ratings of 20, 40, 50, 75, 96, or 150 VA's. These cost efficient transformers are offered in single or dual 1/2" NPT threaded hub mounts with 8-1/2" 18 AWG wire leads, to meet the installation requirements of a variety of building automation and control panel applications in HVAC. All models are UL Class 2 listed.

SPECIFICATIONS
Input Voltage: See model chart.
Input Frequency: 50/60 Hz.
Output Voltage: See model chart.
Output VA Rating: 20, 40, 50, 75, 96, or 150 VA.
Mounting: Slotted foot mount with single, or dual 1/2" NPT hub.
Current Protection: See model chart.
Electrical Connections: Models ending in -20: 20" (508 mm) 18 AWG leads; All other models: 8.5" (210 mm) 18 AWG leads.
Weight: See model chart.
Agency Approvals: CE, cULus.

AC POWER TRANSFORMERS

20 VA to 150 VA, Single or Dual Hub, Circuit Breaker, UL Class 2

MODEL CHART							
Model	Rating	Input Voltage	Output Voltage	Mounting	Current Protection	Wiring	Weight
APT-20-0SN	20 VA	24 VAC	24 VAC	Foot mount w/ single hub	Inherent	Diagram B	1.25 lb (0.57 kg)
APT-20-1SN	20 VA	120 VAC	24 VAC	Foot mount w/ single hub	Inherent	Diagram A	1.29 lb (0.59 kg)
APT-40-0SN	40 VA	24 VAC	24 VAC	Foot mount w/ single hub	Internal fuse	Diagram B	1.96 lb (0.89 kg)
APT-40-1SN	40 VA	120 VAC	24 VAC	Foot mount w/ single hub	Internal fuse	Diagram A	1.98 lb (0.90 kg)
APT-40-1DN	40 VA	120 VAC	24 VAC	Foot mount w/ dual hub	Internal fuse	Diagram A	2.03 lb (0.92 kg)
APT-40-2SN	40 VA	240 VAC	24 VAC	Foot mount w/ single hub	Internal fuse	Diagram C	1.98 lb (0.90 kg)
APT-40-2DN	40 VA	240 VAC	24 VAC	Foot mount w/ dual hub	Internal fuse	Diagram C	2.03 lb (0.92 kg)
APT-40-3SN	40 VA	120/208/240/277 VAC	24 VAC	Foot mount w/ single hub	Internal fuse	Diagram E	2.07 lb (0.94 kg)
APT-40-5DN	40 VA	120/208/240/277/480 VAC	24 VAC	Foot mount w/ dual hub	Internal fuse	Diagram D	2.29 lb (1.04 kg)
APT-50-1SN	50 VA	120 VAC	24 VAC	Foot mount w/ single hub	Internal fuse	Diagram A	2.43 lb (1.10 kg)
APT-50-1DN	50 VA	120 VAC	24 VAC	Foot mount w/ dual hub	Button circuit breaker	Diagram A	2.47 lb (1.12 kg)
APT-50-1SB	50 VA	120 VAC	24 VAC	Foot mount w/ single hub	Button circuit breaker	Diagram A	2.77 lb (1.26 kg)
APT-50-1DB	50 VA	120 VAC	24 VAC	Foot mount w/ dual hub	Internal fuse	Diagram A	2.77 lb (1.26 kg)
APT-50-2SN	50 VA	240 VAC	24 VAC	Foot mount w/ single hub	Internal fuse	Diagram C	2.49 lb (1.13 kg)
APT-50-2DN	50 VA	240 VAC	24 VAC	Foot mount w/ dual hub	Button circuit breaker	Diagram C	2.53 lb (1.15 kg)
APT-50-2SB	50 VA	240 VAC	24 VAC	Foot mount w/ single hub	Button circuit breaker	Diagram C	2.77 lb (1.26 kg)
APT-50-2DB	50 VA	240 VAC	24 VAC	Foot mount w/ dual hub	Button circuit breaker	Diagram C	2.81 lb (1.28 kg)
APT-50-5SB	50 VA	120/208/240/277/480 VAC	24 VAC	Foot mount w/ single hub	Button circuit breaker	Diagram D	2.69 lb (1.22 kg)
APT-50-5DB	50 VA	120/208/240/277/480 VAC	24 VAC	Foot mount w/ dual hub	Button circuit breaker	Diagram D	2.73 lb (1.24 kg)
APT-75-1SB	75 VA	120 VAC	24 VAC	Foot mount w/ single hub	Button circuit breaker	Diagram A	3.53 lb (1.60 kg)
APT-75-1DB	75 VA	120 VAC	24 VAC	Foot mount w/ dual hub	Button circuit breaker	Diagram A	3.57 lb (1.62 kg)
APT-75-2SB	75 VA	240 VAC	24 VAC	Foot mount w/ single hub	Button circuit breaker	Diagram C	3.53 lb (1.60 kg)
APT-75-2DB	75 VA	240 VAC	24 VAC	Foot mount w/ dual hub	Button circuit breaker	Diagram C	3.57 lb (1.62 kg)
APT-75-5SB	75 VA	120/208/240/277/480 VAC	24 VAC	Foot mount w/ single hub	Button circuit breaker	Diagram D	3.60 lb (1.63 kg)
APT-75-5DB	75 VA	120/208/240/277/480 VAC	24 VAC	Foot mount w/ dual hub	Button circuit breaker	Diagram D	3.62 lb (1.64 kg)
APT-100-1SB	100 VA	120 VAC	24 VAC	Foot mount w/ single hub	Button circuit breaker	Diagram A	3.97 lb (1.80 kg)
APT-100-1DB	100 VA	120 VAC	24 VAC	Foot mount w/ dual hub	Button circuit breaker	Diagram A	4.01 lb (1.82 kg)
APT-100-1DB-20*	100 VA	120 VAC	24 VAC	Foot mount w/ dual hub	Button circuit breaker	Diagram A	4.05 lb (1.84 kg)
APT-100-2SB	100 VA	240 VAC	24 VAC	Foot mount w/ single hub	Button circuit breaker	Diagram C	3.97 lb (1.80 kg)
APT-100-2DB	100 VA	240 VAC	24 VAC	Foot mount w/ dual hub	Button circuit breaker	Diagram C	4.01 lb (1.82 kg)
APT-100-5SB	100 VA	120/208/240/277/480 VAC	24 VAC	Foot mount w/ single hub	Button circuit breaker	Diagram D	4.03 lb (1.83 kg)
APT-100-5DB	100 VA	120/208/240/277/480 VAC	24 VAC	Foot mount w/ dual hub	Button circuit breaker	Diagram D	4.05 lb (1.84 kg)
APT-150-1DB	150 VA	120 VAC	24 VAC	Foot mount w/ dual hub	Button circuit breaker	Diagram A	4.98 lb (2.26 kg)

*20" wire 18 AWG leads.

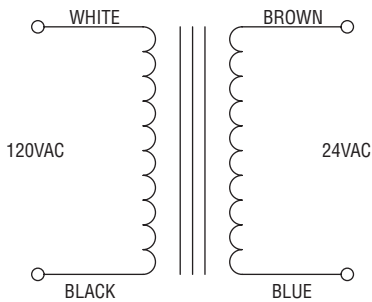


Diagram A

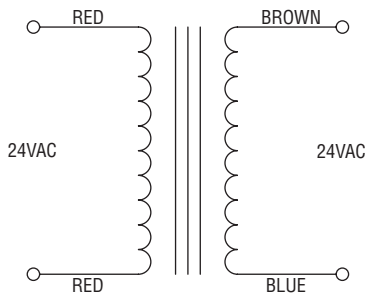


Diagram B

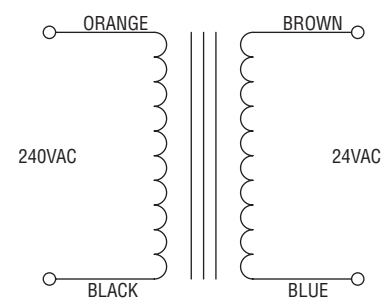


Diagram C

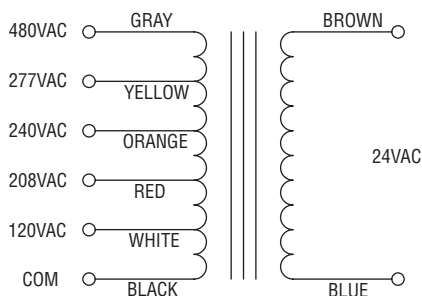


Diagram D

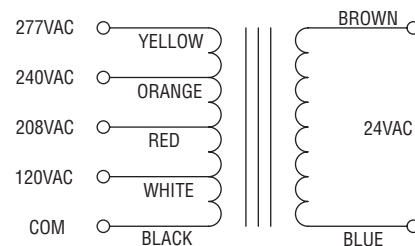
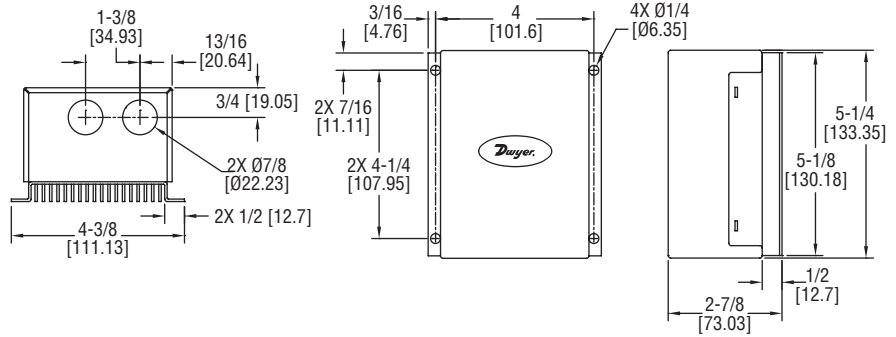


Diagram E



ELECTRONIC FAN SPEED CONTROL

Low Cost, 0 to 10 VDC Input, Selectable Hard Start



The **MODEL FC-1000** Electronic Fan Speed Control provides precise speed modulation of small AC motors. Popular 0-10 VDC input works with most process controllers, eliminating the need for more expensive dampers, damper actuators, and linkages while improving overall energy efficiency of the system. This inexpensive unit enables variable control ventilation fans, condenser fans, and interfacing with VAV box controllers.

FEATURES/BENEFITS

- Compact design allows for use in most areas
- Improves energy efficiency in systems

APPLICATIONS

- Monitoring fans and motors

MODEL CHART	
Model	Description
FC-1000	Electronic fan speed control

SPECIFICATIONS

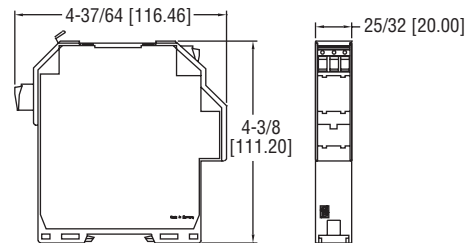
Line Voltage Range: 120 to 277 VAC, 60 Hz.
Input Signal Voltage: 0 to 10 VDC.
Low Voltage Input: 24 VAC, class 2.
Input Signal Impedance: 10K Ω.
Full Load Amp Rating: 9.8 @ 120 VAC, 9.3 @ 208 VAC, 8.0 @ 240 VAC, 6.9 @ 277 VAC.
Locked Rotor Amp Rating: 24.0.
Temperature Limits: -40 to 131°F (-40 to 55°C).

Electrical Connections: Line voltage: 10-32 screw terminals. Signal and low voltage input: 1/4" quick connects.
Transient Protection: 320 V surge suppression. Exceeds IEEE C62.41 standards.
Housing Materials: Cold rolled steel.
Enclosure Rating: NEMA 1.
Mounting: Vertical only; four holes provided for #10 screws.
Weight: 1 lb 11 oz (.77 kg).
Agency Approvals: UR.



GALVANIC BARRIER

Loop Powered, Intrinsically Safe Isolators



The **MODEL KFD0** Loop Powered Galvanic Barrier provides complete isolation for communication with Dwyer® intrinsically safe transmitters approved for use in hazardous areas. This galvanic barrier eliminates the need for a high integrity earth ground required when using shunt type diode type safety barriers. Unlike most other isolators, the Model KFD0-SCSEX1.55 does not require external power and has a low current draw.

FEATURES/BENEFITS

- Designed to mount on most standard DIN rails
- Approved for use in hazardous areas

APPLICATIONS

- Used to isolate voltages for intrinsically safe applications for HHT series

MODEL CHART								
Model	Description	Approval	Dwyer Series	Vo (V)	Io (mA)	Group	µF	mH
KFD0-SCS-EX1.55	Loop powered galvanic barrier	FM for class I, zone 1, groups IIC, IIB, IIA; class I, II, III, div. 2, groups A, B, C, D, F, G	HHT-IX	23.1	38.2	IIC (A, B), IIB (C), IIA (D, F, G)	0.042, 0.267, 0.267	0.5, 2.5, 2.5

SPECIFICATIONS

Hazardous Area Input: Signal range: 4 to 20 mA (linear transmission 1 to 22 mA); Available transmitter voltage: ≥ 16 V for supply voltage > 21 V.
Safe Area Output: Signal range: 4 to 20 mA; Transmitter voltage: ≤ 30 VDC.
Response Time: ≤ 20 µs at 0, and ≤ 600 µs at 800 load.

Maximum Power Dissipation: 150 mW @ 20 mA and V < 24 V.
Temperature Limits: -4 to 140°F (-20 to 60°C).
Temperature Drift: ≤ 0.5 µA/°C.
Weight: 4.2 oz (120 g).
Agency Approvals: CE, FM.

ACCESSORY

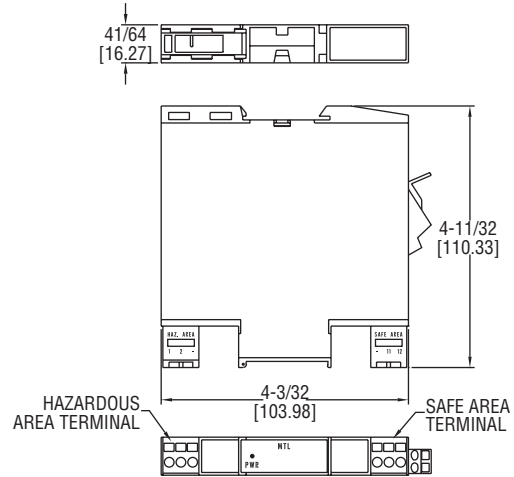
Model	Description
A-360	Aluminum DIN rail 1 m

GALVANIC BARRIER

Intrinsically Safe Isolators for Hazardous Locations



MTL5041



The **SERIES MTL5041/5045** Galvanic Barrier provides intrinsically safe isolation for communication with Dwyer® transmitters approved for use in hazardous areas. This galvanic barrier eliminates the need for a high integrity earth ground required when using shunt type diode type safety barriers. DIN rail mounting and plug-in signal and power connectors simplify installation and maintenance.

FEATURES/BENEFITS

- Designed to mount on most standard DIN rails
- Approved for use in hazardous areas

APPLICATIONS

- Electrically isolates pressure and level transmitters from unregulated circuits for intrinsically safe applications

COMPATIBLE MODELS: 637, 638, 608, 2700, 2800, 2900, SBLTX, PBLTX, IS626

Model	Approval	Dwyer Series
MTL5041	FM for class I, II, III; div. 1 groups C, D, F, G	638
MTL5041	UL for class I; div. 1 groups A, B, C, D class II div. 1 groups E, F, G class III div 1	IS626, SBLTX, PBLTX
MTL5041	FM for class I, II, III; div. 1 groups B, C, D, E, F, G	637
MTL5041	FM for class I, II, III; div. 1 groups A, B, C, D, E, F, G	608
MTL5045	FM for class I, II, III; div. 1 groups C, D, E, F, G	2900
MTL5045	FM for class I, II, III; div. 1 groups C, D, E, F, G	2700/2800

MODEL CHART

Model	FM			BASEEFA (ATEX)			
	Group	µF	mH	Group	µF	mH	µH/Ω
MTL5041/5045	A & B	0.13	4.2	IIC	0.083	3.05	55
	C	0.30	12.6	IIB	0.85	9.15	210
	D	1.04	33.6	IIA	2.15	244	444

Region (Authority)	Standard	Approved For	Certificate/ File no.
USA (FM) (UL)	3600, 3610 entity 3611, 3810 UL913 UL1604	AIS/II,III/1/Entity ABCDEFG-SCI-942; NI/II/@/ABCD/T4 [I/O] AEx[ia]IIC-SCI-942 Entity; NI/1/2/IIC/T4; Ta=140°F (60°C)	3010737
Canada (CSA)	CAN/CSA E60070, IEC60079, C22.2	Class I, Div.2, Gps A, B, C, D; Ex nA [ia] IIC T4 Class I, Xone 2, Aex nA IIC T4	1345550
UK (BASEEFA)	EN 50014, EN 50020	EEx ia IIC	BAS01ATEX7217
UK (BASEEFA) Systems	EN 50039	EEx ia IIC	Ex01E2219

SPECIFICATIONS

Hazardous Area Input: Signal range: 0 to 24 mA (including over-range); Transmitter voltage: 16.5 V at 20 mA.

Safe Area Output: Signal range: 4 to 20 mA; Safe-area load resistance: 0 to 1 kΩ; Safe-area output resistance: > 2 MΩ.

Power Requirement: 20 to 35 VDC.

Response Time: Settles to within 10% of final value within 250 µs.

Current Consumption (20 mA signal): 70 mA at 24 VDC; 85 mA at 20 VDC; 55 mA at 35 VDC.

Maximum Power Dissipation (20 mA signal): 1.2 W at 24 VDC.

Isolation: 250 V RMS between input, output and power supply terminals.

Transfer Accuracy at 68°F (20°C): Better than 20 µA (typically 5 µA).

LED Indicator: Green: Power indication.

Temperature Limits: Operating: -4 to 140°F (-20 to 60°C); Storage: -40 to 176°F (-40 to 80°C).

Temperature Drift: <1 µA/°C.

Humidity: 5 to 95% RH.

Mounting: 1.4" (35 mm) top hat rail to: EN 50022-35 x 7.5; BS 5584; 35 x 27 x 7.3 DIN 46277.

Terminals: Accommodate up to 2.5 mm² stranded or single-core.

Safety Description: 28 V, 300 Ω, 93 mA; Um=250 RMS or DC.

Weight: 3.9 oz (110 g).

Agency Approvals: See table.

MODEL CHART

Model	Description
MTL5041	Galvanic barrier
MTL5045	Galvanic barrier

ACCESSORY

Model	Description
A-360	Aluminum DIN rail 1 m

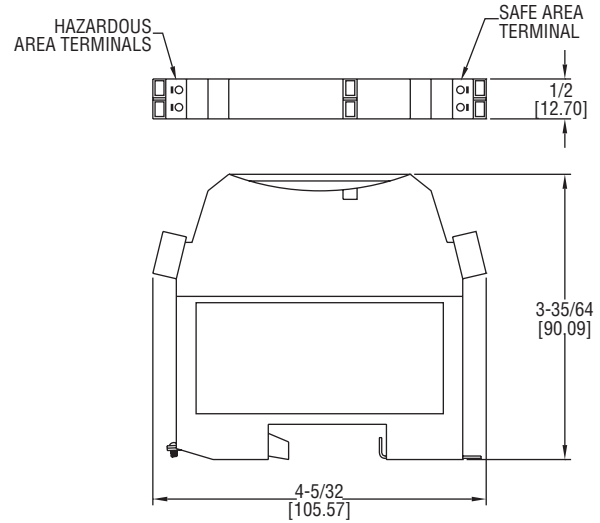


ZENER BARRIER

Intrinsically Safe Barriers for Hazardous Locations



MTL7787



The **SERIES MTL7706/7787** Zener Barrier is an intrinsically safe shunt-diode barrier that can be used to communicate with and provide isolations for certain Dwyer® transmitters approved for use in hazardous areas. These barriers limit the amount of energy allowed to pass into the hazardous area, which inhibit ignition in flammable atmospheres.

FEATURES/BENEFITS

- Approved for use in hazardous areas

APPLICATIONS

- Electrically isolates pressure and level transmitters from unregulated circuits for intrinsically safe applications

COMPATIBLE MODELS: 637, 608, SBLTX, PBLTX, IS626		
Model	Approval	Dwyer Series
MTL7706	UL for class I; div. 1 groups A, B, C, D CL II; div. 1 groups E, F, G; CL III div. 1	IS626, SBLTX, PBLTX
MTL7706	FM for class I, II, III; div. 1 groups B, C, D, E, F, G	637
MTL7706	FM for class I, II, III; div. 1 groups A, B, C, D, E, F, G	608

Note: Compatible models: 637, 608, SBLTX, PBLTX, IS626

MODEL CHART						
Model	FM			BASEEFA (ATEX)		
	Group	µF	mH	Group	µF	mH
MTL7706	A & B	0.083	4.2	IIC	0.083	4.2
MTL7787	A & B	0.083	3.05	IIC	0.083	3.05

SPECIFICATIONS

Transmitter Voltage: 16.2 V at 20 mA with 250 Ω load (negative w.r.t. earth); 11.0 V at 20 mA with 500 Ω load (negative w.r.t. earth).
Safe Area Output: 4 to 20 mA.
Load Resistance: 0 to 500 Ω.
Power Requirement: 20 to 35 VDC w.r.t. earth.
Accuracy: ±2 µA under all conditions.
LED Indicator: Green: Power indication.
Temperature Limits: Operating: -4 to 140°F (-20 to 60°C); Storage: -40 to 176°F (-40 to 80°C).
Humidity: 5 to 95% RH.
Terminals: Accommodate up to 2.5 mm2 stranded or single-core.
Safety Description: 28 µV, 300 Ω, 93 mA.
Weight: 4.9 oz (140 g).
Agency Approvals: See table.

MODEL CHART	
Model	Description
MTL7706	Zener barrier
MTL7787	Zener barrier

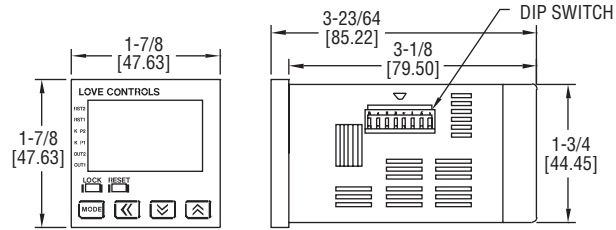
ACCESSORY	
Model	Description
A-360	Aluminum DIN rail 1 m

Region (Authority)	Standard	Approved For	Certificate/ File no.
USA (FM) (UL)	3600, 3610 entity, 3611, 3810, UL698, UL913, UL1604	AIS/I,II,III/1/Entity ABCDEFG-SCI-942; NI/II/@/ABCD/T4 [I/O] AEx[ia]IIC-SCI-942 Entity; NI/1/2/IIC/T4; Ta=140°F (60°C)	3010737
Canada (CSA)	CAN/CSA E60070, IEC60079, C22.2	Class I, Div.2, Gps A, B, C, D; Ex nA [iA] IIC T4 Class I, Xone 2, Aex nA IIC T4	1345550
UK (BASEEFA)	EN 50014, EN 50020	EEx ia IIC	BAS01ATEX7217
UK (BASEEFA) Systems	EN 50039	EEx ia IIC	Ex01E2219

Intrinsically Safe Barriers

DIGITAL TIMER/TACHOMETER/COUNTER

3 Controls in 1 Device, DIP Switch Configuration



The **SERIES LCT216** Digital Timer/Tachometer/Counter combines a versatile timer, counter, and tachometer all in one device. The bright, easy-to-read display shows the desired set point and the current process value as well as the operating mode that the control is functioning in. For quick set up, many of the programming parameters can be set with external dip switches located on the side of the unit.

FEATURES/BENEFITS

- Fourteen pre-programmed timer functions
- One stage, two stage, batch, total, and dual counting modes

APPLICATIONS

- Industrial ovens
- Batch counting in conveyor systems
- Silk screening equipment

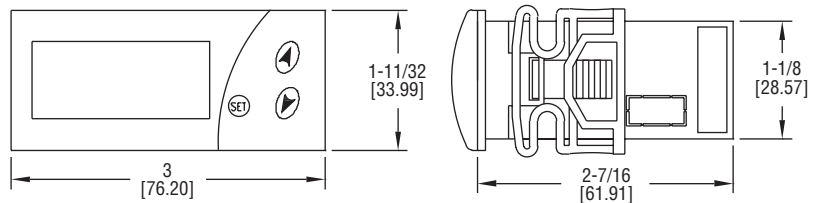
MODEL CHART	
Model	Output Type
LCT216-100	Transistor
LCT216-110	Relay

SPECIFICATIONS

Operating Temperature Range: 32 to 122°F (0 to 50°C).
Humidity Conditions: 35 to 85% RH (non-condensing).
Control Output Ratings: (Out 1) Relay: SPST 5 A at 250 VAC; Transistor: NPN open collector 100 mA / 30 VDC residual voltage = 1.5 VDC max; (Out 2) Relay: SPST 5 A at 250 VAC, Transistor: NPN open collector 100 mA / 30 VDC residual voltage = 1.5 VDC max.
Weight: 4 oz (114 g).
Reset Time: 0.001 seconds minimum.
Inputs: Dry contact, PNP, or NPN.
Timing Functions: 14 pre-programmed timing functions.
Supply Voltage: 100 to 240 VAC 50 / 60 Hz.
Power Consumption: Less than 10 VA.
Internal Power Supply: 12 VDC ±10%, 100 mA.
Display: Two-line 6 digit negative transmissive LCD display.
Agency Approvals: CE, cULus.

COUNT DOWN DIGITAL TIMER

Quick Installation, Digital Input, Audible Alarm



The **SERIES LCT316** Count Down Digital Timer provides accurate countdown timing for a variety of applications. The timer can be triggered remotely using the digital input terminals or locally via the set button. Time intervals can be set up to 999 minutes or seconds and an internal buzzer will sound when the time interval has expired.

FEATURES/BENEFITS

- 1 second to 999 minute field set time interval
- Audible alarm for status indication

APPLICATIONS

- Commercial cooking equipment
- Commercial dish washers and refrigeration equipment

MODEL CHART	
Model	Supply Power
LCT316-100	115 VAC
LCT316-200	230 VAC
LCT316-300	12 VAC/DC
LCT316-400	24 VAC/DC

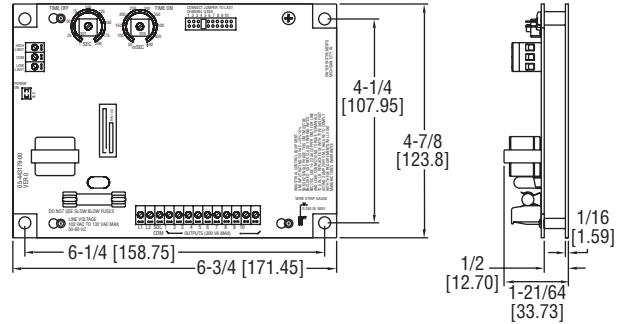
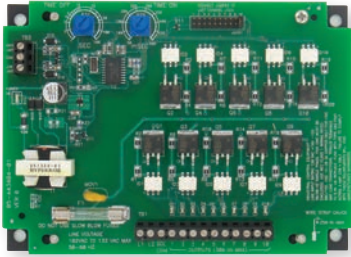
SPECIFICATIONS

Operating Temperature Range: 32 to 158°F (0 to 70°C).
Control Output Ratings: Relay, SPST NO, 16 A at 250 VAC resistive.
Weight: 5.6 oz (158.8 g).
Status Light: LED shows time and operation.
Inputs: Digital input for start and reset.
Supply Voltage: 115 VAC, 230 VAC, 12 VAC/DC, 24 VAC/DC depending on model.
Power Consumption: 4 VA.
Agency Approvals: CE, cURus.



LOW COST TIMER CONTROLLER

Compact, Easy to Use, 4, 6 or 10 Channels



The **SERIES DCT500A** Low Cost Timer Controller is designed to provide continuous or on-demand cleaning for receivers and pulse jet systems. It is available in either 4, 6, or 10 channels, and each unit is the same size, minimizing enclosure space and reducing overall system installation cost. For added safety, the control circuitry including the control inputs are isolated from the line voltage.

FEATURES/BENEFITS

- Simple and easy to use design
- Optional weatherproof enclosure available

APPLICATIONS

- Dust collection
- Pneumatic conveying
- Cement batch plants

MODEL CHART		
Model	Description	No. of Channels
DCT504A	Timer controller	4
DCT506A	Timer controller	6
DCT510A	Timer controller	10

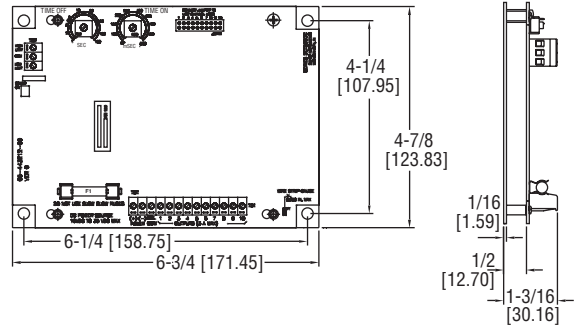
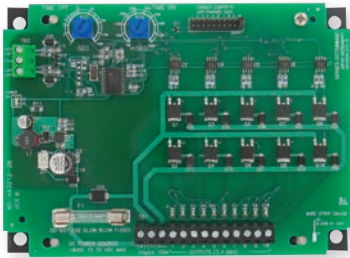
SPECIFICATIONS*	
Output Channels: 4, 6, & 10 channels.	Storage Temperature Limits: -40 to 176°F (-40 to 80°C).
Power Requirements: 102 to 132 VAC 50 or 60 Hz.	On Time: 50 ms to 500 ms.
Power Consumption: 2.5 W.	On Time Accuracy: ±10 ms.
Solenoid Supply: 3 A max per channel.	On Time Stability: ±1 ms.
Fuse: Type 3 AG, 3 A @ 250 VAC.	Off Time: 1 second to 180 seconds.
Temperature Limits: -40 to 140°F (-40 to 60°C).	Off Time Accuracy: ±5% of setting.
	Weight: 9 oz (255 g).
	Agency Approvals: CE, cULus.

*Additional specifications on IOM.

OPTIONS	
To order add suffix:	Description
-L	Mounting bracket for field retrofits: 8-1/4" x 6-1/4" (209.55 mm x 158.75 mm)
-WP	Weatherproof housing: standard models Weatherproof housing: with option -L mounting bracket

LOW COST TIMER CONTROLLER

For Low Voltage Applications



The **SERIES DCT500ADC** Low Cost Timer Controller is designed to provide continuous or on-demand cleaning for 10-35 volt powered receivers and pulse jet systems. It is available in either 4, 6, or 10 channels, and each unit is the same size, minimizing enclosure space and reducing overall system installation cost. For added safety, the control circuitry including the control inputs are isolated from the line voltage.

FEATURES/BENEFITS

- Ideal for low voltage applications
- Simple and easy to use design
- Optional weatherproof enclosure available

APPLICATIONS

- Dust collection
- Pneumatic conveying
- Cement batch plants

MODEL CHART		
Model	Description	No. of Channels
DCT504ADC	Timer controller	4
DCT506ADC	Timer controller	6
DCT510ADC	Timer controller	10

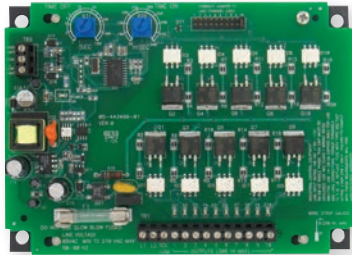
SPECIFICATIONS*	
Output Channels: 4, 6, & 10 channels.	Storage Temperature Limits: -40 to 176°F (-40 to 80°C).
Power Requirements: 10 to 35 VDC.	On Time: 50 ms to 500 ms.
Power Consumption: 0.6 W.	On Time Accuracy: ±10 ms.
Solenoid Supply: 3 A max per channel.	On Time Stability: < ±1 ms.
Fuse: Type 3 AG, 3 A @ 250 VAC.	Off Time: 1 s to 180 s.
Temperature Limits: -40 to 140°F (-40 to 60°C).	Off Time Accuracy: ±5% of setting.
	Weight: 9 oz (255 g).
	Agency Approvals: CE.

*Additional specifications on IOM.

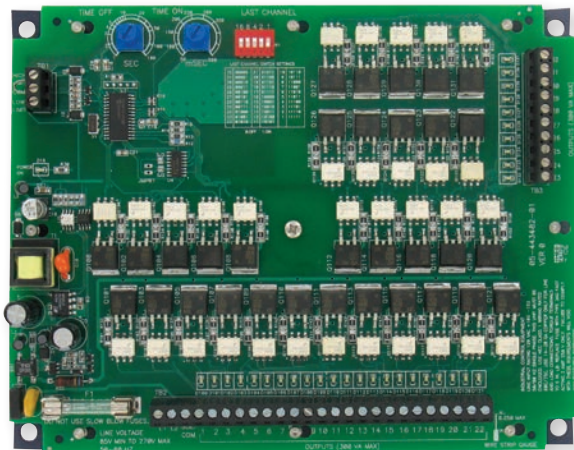
OPTIONS	
To order add suffix:	Description
-L	Mounting bracket for field retrofits: 8-1/4" x 6-1/4" (209.55 mm x 158.75 mm)
-WP	Weatherproof housing: standard models Weatherproof housing: with option -L mounting bracket

TIMER CONTROLLER

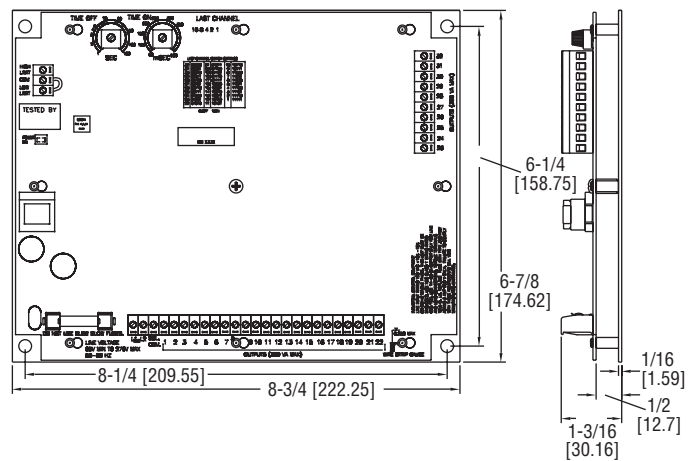
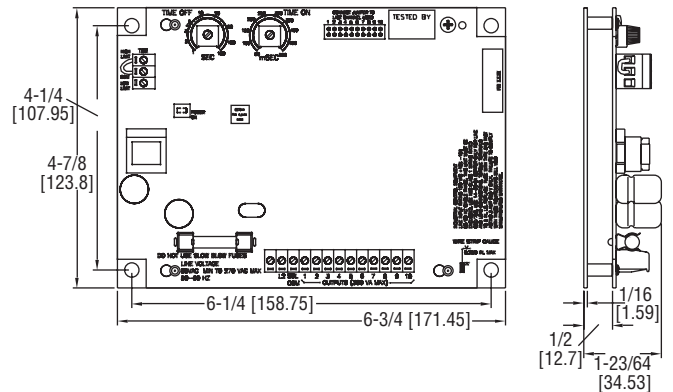
With Universal Power For Both 120 and 220 VAC



4 thru 10 channel board



22 and 32 channel board



The **SERIES DCT600** Timer Controller is a timing system for pulse-jet type dust collectors or pneumatic conveying systems in either continuous or on-demand cleaning applications. It provides either 4, 6, 10, 22, or 32 channels, and if fewer channels are required than is available on the board, a shorting plug or dip switch allows selection of the last used channel. The new enhanced board circuitry of the DCT600 synchronizes the on-time pulse to the power line to achieve a pulse stability of ± 1 msec.

FEATURES/BENEFITS

- Better synchronized on-time pulse to the power line for better pulse stability
- Adjustable potentiometers to select time-on and time-off settings
- Simple and easy to use design

APPLICATIONS

- Dust collection
- Pneumatic conveying

SPECIFICATIONS*

- Output Channels:** 4, 6, 10, 22 and 32 channels available.
- Power Requirements:** 85 to 270 VAC.
- Power Consumption:** 1.2 W.
- Solenoid Supply:** 300 VA.
- Fuse:** Type 3 AG, 3 A @ 250 VAC.
- Temperature Limits:** -40 to 140°F (-40 to 60°C).
- Storage Temperature Limits:** -40 to 176°F (-40 to 80°C).
- On Time:** 50 ms to 500 ms.
- On Time Accuracy:** $\pm 5\%$ of setting.
- On Time Stability:** ± 1 ms.
- Off Time:** 1 s to 180 s.
- Off Time Accuracy:** 5% of setting.
- Weight:** 9 oz (255 g).
- Agency Approvals:** CE, cULus.

*Additional specifications on IOM.

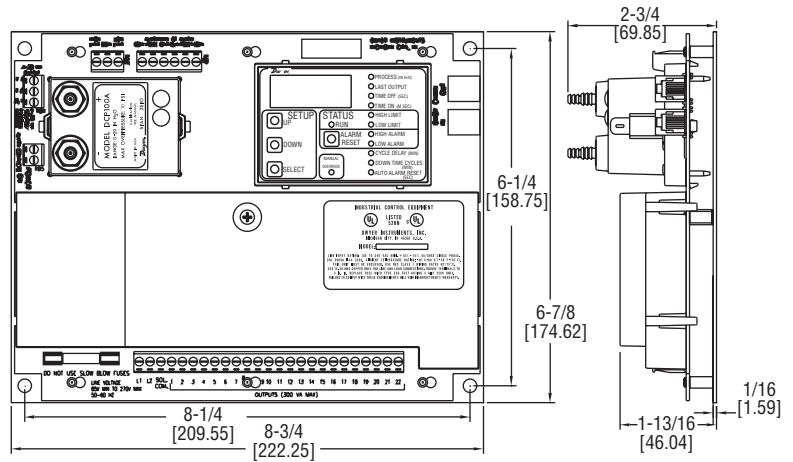
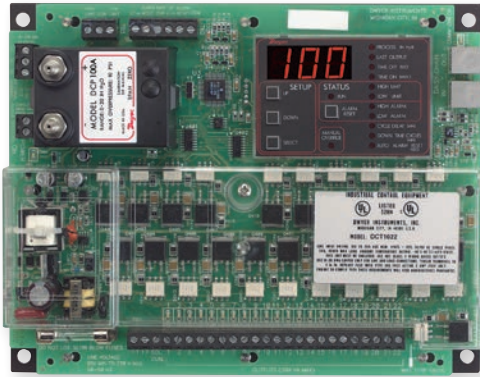
MODEL CHART		
Model	Description	No. of Channels
DCT604	Timer controller	4
DCT606	Timer controller	6
DCT610	Timer controller	10
DCT622	Timer controller	22
DCT632	Timer controller	32

OPTIONS	
To order add suffix:	Description
-L	Mounting bracket for field retrofits: 8-1/4" x 6-1/4" (209.55 mm x 158.75 mm)
-WP	Weatherproof housing: 4 thru 10 channel only Weatherproof housing: 22 & 32 channels

Note: L mounting bracket available with 4, 6, or 10 channel models only.

DUST COLLECTOR TIMER CONTROLLER

Modular Design, User Friendly, Up to 22 Channels



The **SERIES DCT1000** Dust Controller Timer Controller simplifies on-demand cleaning requirements by eliminating the need for external devices such as pressure switches, relays, and timers. The modular design allows for use as a continuous cleaning control or on-demand cleaning control using the optional plug-in pressure module. The DCT1000 is the same size for 6, 10, and 22 channels, allowing one board size to be the standard on one enclosure.

FEATURES/BENEFITS

- Universal power requirements for both domestic and overseas use
- Standard mounting holes to other dust collector controllers for use in existing installations
- Able to automatically detect any channel expander connected

APPLICATIONS

- Dust collection
- Pneumatic conveying

MODEL CHART			
Model	Description	No. of Channels	D.P. Range
DCT1022	Master controller	22	-
DCT1010	Master controller	10	-
DCT1006	Master controller	6	-
DCT1122	Channel expander	22	-
DCT1110	Channel expander	10	-
DCP200A	Pressure module	-	20 in w.c.
DCP100A	Pressure module	-	10 in w.c.

OPTIONS	
To order add suffix:	Description
-WP	Weatherproof housing only
-WPP	Weatherproof housing with pressure ports
-WPPS	Weatherproof housing with pressure ports, three position rotary switch installed
-EXPL	Explosion-proof housing

Note: Multiple boards stacked in enclosure

ACCESSORIES	
Model	Description
DPMA-402	Process indicator

Note: DCA channel expander cable available in 1 ft, 2 ft, and 4 ft lengths

SPECIFICATIONS	
<p>DCT1000 TIMER CONTROLLER</p> <p>Output Channels: 6, 10, & 22 channels. Expandable to 255 channels using DCT1122 & DCT1110 channel expander boards.</p> <p>Power Requirements: 85 to 270 VAC, 50 or 60 Hz.</p> <p>Power Consumption: 5 W.</p> <p>Solenoid Supply: 3 A max per channel.</p> <p>Fuse: 3 A @ 250 VAC. Low voltage control circuitry is isolated from the line voltage for system safety.</p> <p>Temperature Limits: -40 to 140°F (-40 to 60°C).</p> <p>Storage Temperature Limits: -40 to 176°F (-40 to 80°C).</p> <p>On Time: 10 ms to 600 ms, 10 ms steps.</p> <p>On Time Accuracy: ±10 ms.</p> <p>Off Time: 1 s to 255 s, 1 s steps.</p> <p>Off Time Accuracy: ±1% of the value or ±50 ms, whichever is greater.</p> <p>Weight: 1 lb 3.0 oz (538.6 g).</p> <p>Agency Approvals: cULus.</p>	<p>DCP PRESSURE MODULE</p> <p>Pressure Ranges: 10 in w.c. or 20 in w.c.</p> <p>Temperature Limits: -40 to 140°F (-40 to 60°C).</p> <p>Pressure Limit: 10 psi (68.95 kPa). Pressure Limit (differential): 10 psi (68.95 kPa).</p> <p>Accuracy: ±1.5% FS @ 73°F (22.8°C).</p> <p>Output Signal: 4 to 20 mA.</p> <p>Alarm Contacts: 1.5 A inductive load, 3 A resistive load @ 30 VAC or 40 VDC.</p> <p>Process Connections: Two barbed connections for use with 1/8" (3.18 mm) or 3/16" (4.76 mm) ID tubing.</p> <p>Weight: 5.5 oz (155.9 g).</p>



DCT in optional NEMA 4/4X weatherproof enclosure



DCT in optional Explosion-proof Enclosure



DCAC02 cable connection for connecting multiple boards.

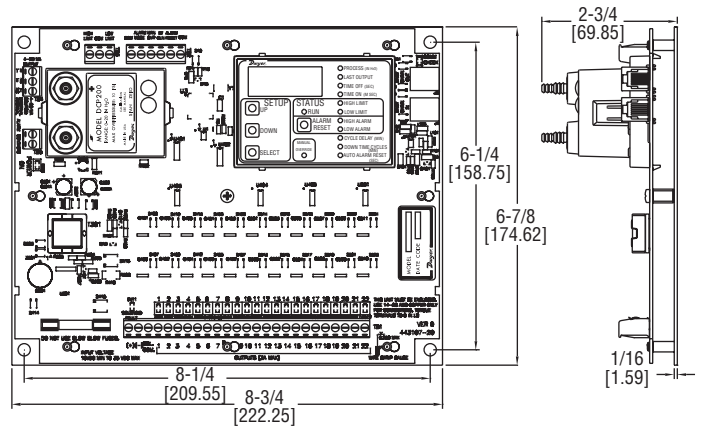
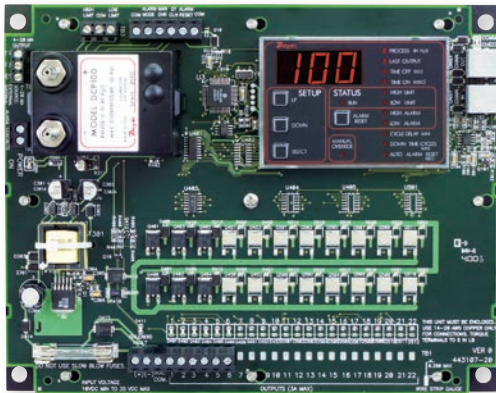


Master board stacked with channel expander



DUST COLLECTOR TIMER CONTROLLER

For Low Voltage Applications



The **SERIES DCT1000DC** Dust Collector Timer Controller simplifies on-demand cleaning requirements in low voltage applications by eliminating the need for external devices such as pressure switches, relays, and timers. The modular design allows for use as a continuous cleaning control or on-demand cleaning control using the optional plug-in pressure module. The DCT1000 is the same size for 6, 10, and 22 channels, allowing one board size to be the standard on one enclosure.

FEATURES/BENEFITS

- 10 to 30 VDC power requirement for low voltage applications
- Standard mounting holes to other dust collector controllers for use in existing installations
- Able to automatically detect any channel expander connected

APPLICATIONS

- Dust collection
- Pneumatic conveying

SPECIFICATIONS

DCT1000DC TIMER CONTROLLER

Output Channels: 6, 10, & 22 channels.
Power Requirements: 10 to 30 VDC.
Solenoid Supply: 3 A maximum per channel.
Fuse: 3 A @ 250 VAC.
Temperature Limits: -40 to 140°F (-40 to 60°C).
Storage Temperature Limits: -40 to 176°F (-40 to 80°C).
On Time: 10 ms to 600 ms, 10 ms steps.
On Time Accuracy: ±10 ms.
Off Time: 1 s to 255 s, 1 s steps.
Off Time Accuracy: ±1% of the value or ±50 ms, whichever is greater.
Weight: 1 lb 3.0 oz (538.6 g).

DCP PRESSURE MODULE

Pressure Ranges: 10 in w.c. or 20 in w.c.
Temperature Limits: -40 to 140°F (-40 to 60°C).
Pressure Limit: 10 psi (68.95 kPa).
Pressure Limit (differential): 10 psi (68.95 kPa).
Accuracy: ±1.5% FS @ 73°F (22.8°C).
Output Signal: 4 to 20 mA.
Alarm Contacts: 1.5 A inductive load, 3 A resistive load @ 30 VAC or 40 VDC.
Process Connections: Two barbed connections for use with 1/8" (3.18 mm) or 3/16" (4.76 mm) ID tubing.
Weight: 5.5 oz (155.9 g).
Agency Approvals: CE.

MODEL CHART			
Model	Description	No. of Channels	D.P. Range
DCT1022DC	Master controller	22	-
DCT1010DC	Master controller	10	-
DCT1006DC	Master controller	6	-
DCP200A	Pressure module	-	20 in w.c.
DCP100A	Pressure module	-	10 in w.c.

OPTIONS	
To order add suffix:	Description
-WP	Weatherproof housing only
-WPP	Weatherproof housing with pressure ports
-WPPS	Weatherproof housing with pressure ports, three position rotary switch installed
-EXPL	Explosion-proof housing

ACCESSORIES	
Model	Description
DPMA-402	Process indicator



DCT in optional NEMA 4/4X weatherproof enclosure



DCT in optional Explosion-proof Enclosure

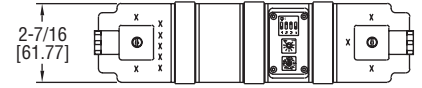
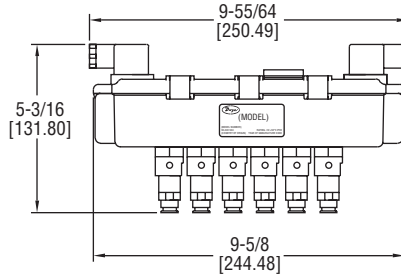


SOLENOID VALVE ENCLOSURE WITH TIMER

Compact Size, NEMA 4X Enclosure



Scan here to watch product video



The **SERIES SVT** Solenoid Valve Enclosure with Timer is a compact, reliable, and economic package that combines a timer board and solenoid valve enclosure into one package. Each model is available with 2, 4, or 6 valves, but expansion modules can easily be daisy chained for a maximum of 60 outputs.

FEATURES/BENEFITS

- Compact, all-in-one package eliminates the need for separate wiring and enclosures
- Universal power requirements for both domestic and overseas use
- Field selectable cleaning functions and on/off settings to personalize for any need

APPLICATIONS

- Dust collection
- Pneumatic conveying
- Industrial vacuums

SPECIFICATIONS

Service: Compatible gases, filtered and oil free.
Wetted Materials: Pilot body: Brass; Spring: 302 SS; O-ring: NBR.
Temperature Limits: 14 to 140°F (-10 to 60°C).
Pressure Limit: 145 psi (10 bar).
Power Requirements: 90 to 240 VAC, 50 or 60 Hz or 24 VDC/VDC ±10%.
Power Consumption: 25 VA.
Fuse: 0.5 A delayed.
Electrical Connection: 2 DIN A 43652 connectors.
Enclosure Rating: NEMA 4X (IP66).
Enclosure Material: Polyamide with carbon fiber, polycarbonate, TPE rubber.
Process Connection: 1/4" OD push to connect.
Mounting Orientation: Any position.
On-Time: 150 ms to 700 ms.
Off-Time: 4 s to 210 s.
Agency Approvals: CE.

MODEL CHART

Model	Description	Number of Solenoids	Supply Voltage	Model	Description	Number of Solenoids	Supply Voltage
SVT-2	Solenoid valve enclosure with timer	2	90 to 240 VAC	SVT-4-DC	Solenoid valve enclosure with timer	4	24 VDC/VAC
SVT-3	Solenoid valve enclosure with timer	3	90 to 240 VAC	SVT-6-DC	Solenoid valve enclosure with timer	6	24 VDC/VAC
SVT-4	Solenoid valve enclosure with timer	4	90 to 240 VAC	SVTE-3	Expansion module	3	Any
SVT-6	Solenoid valve enclosure with timer	6	90 to 240 VAC	SVTE-4	Expansion module	4	Any
SVT-2-DC	Solenoid valve enclosure with timer	2	24 VDC/VAC	SVTE-6	Expansion module	6	Any
SVT-3-DC	Solenoid valve enclosure with timer	3	24 VDC/VAC				

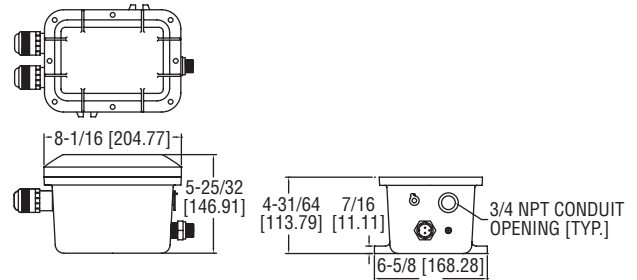
Note: SVTE modules are powered from the main enclosure and can be used with either the 90 to 240 VAC or the 24 VDC/VAC SVT models.

SAFE-T-GROUND

Explosion-Proof, Intrinsically Safe, Ground Continuity Control



TR-7L



The **SERIES TR-7** Safe-T-Ground provides continuous monitoring of a truck's ground connection throughout loading operations. The TR-7 instantly stops loading operations if a tank truck loses its ground. To safeguard loading operations, the Safe-T-Ground circuit can be wired into your pump control, and to an audible alarm or signal light.

FEATURES/BENEFITS

- Explosion-proof housing
- Audible alarm and LED status indicators

APPLICATIONS

- Chemical
- Oil and gas

MODEL CHART

Example	TR-7	-B	L	TR-7-BL
Construction	TR-7			Explosion-proof and intrinsically safe
Power Supply Option		-U		120 VAC (standard) 220/240 VAC
Cable Connection		-B		Stud (standard) Battery (alligator) clamp
Cable Length			-X	36" coiled, extends to 16' (standard) 72" coiled, extends to 32'
Options			L	Red and green indicating lights

SPECIFICATIONS

Housing: 356-T6 cast aluminum alloy (copper-free), explosion-proof – Class I, Group D.
Size: 6-5/8" W x 10-3/8" H x 5-5/8" D.
Power Requirements: 105 to 125 VAC, 60 Hz. 7.75 watts - with light, 1.75 watts - without lights. Optional 220 to 240 VAC, 50/60 Hz.
Electrical Rating, Relay: DPDT, 10 A, 125 VAC, 60 Hz contact rating.
Wiring: Terminal strip.
Conduit Connection: 3/4" NPT.
Installation: 7/16" mounting lugs, integrally cast.
Contactors: (Grounding clamp) molded polyethylene with beryllium copper contact clips. 16-2 type SO coiled cable; retracts to 3', extends to 16'.
Grounding Studs: 2 supplied. Order a pair for each truck.
Shipping Weight: 20 lb with contactor and cord.
Agency Approvals: UL.
Options: Integral pilot lights; 30' coiled cable; Temporary contactor assemblies, clamp connectors, and other supply voltages.

MODEL CHART

Model	Description
TR-7	Safe-T-Ground
TR-7-L	Safe-T-Ground with integral pilot lights

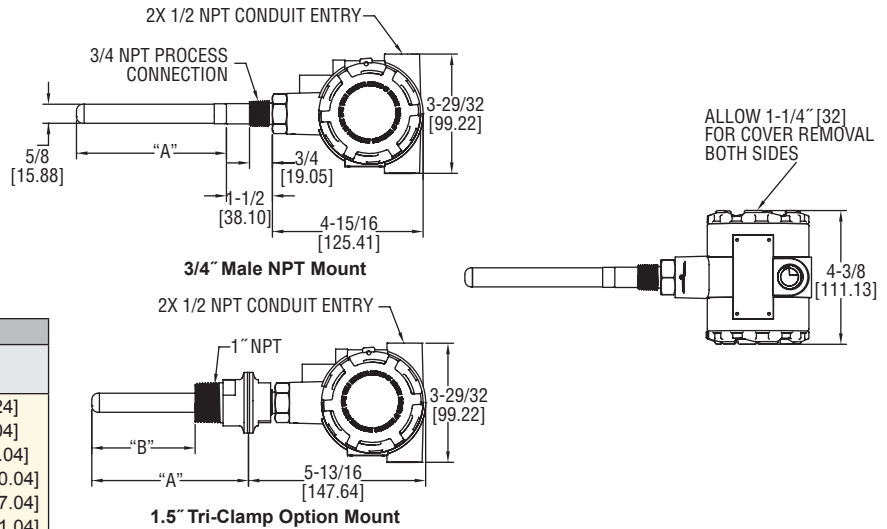
PARTICULATE TRANSMITTER

Digital Damping, Non-Stick Probe, For Broken Bag Detection



3/4" MALE NPT MOUNT	
Probe Length	A in [mm]
3"	3 [76.20]
5"	5 [127.00]
10"	10 [254.00]
15"	15 [381.00]
20"	20 [508.00]
30"	30 [762.00]
36"	36 [914.40]

1.5" TRI-CLAMP MOUNT		
Probe Length	A in [mm]	B in [mm]
3"	3-1/2 [88.90]	1-25/32 [45.24]
5"	5-1/2 [139.70]	3-25/32 [96.04]
10"	10-1/2 [266.70]	8-25/32 [223.04]
15"	15-1/2 [393.70]	13-25/32 [350.04]
20"	20-1/2 [520.70]	18-25/32 [477.04]
30"	30-1/2 [744.70]	28-25/32 [731.04]
36"	36-1/2 [927.10]	34-25/32 [883.44]



The **SERIES PMT2** Particulate Transmitter is designed to measure particulate emission levels from dust collector discharge. Using DC coupled electrostatic induction sensing technology, the transmitter monitors a pA current that is generated as particulate passes near the probe; a 4 to 20 mA signal will vary based on the particulate level. The PMT2 offers 6 sensitivity ranges allowing the user to choose the range that will best fit the application. The range and test selector switch can also be set to output a 4 mA or 20 mA signal to assist with set up or trouble shooting. A digital filter prevents the mA output from spiking during cleaning cycles.

FEATURES/BENEFITS

- Simple 2-wire installation for PLC and control panels
- Non-stick PTFE coated probe to prevent false readings from moist and conductive dusts, corrosive gases, condensate, and dust buildup
- Remote zero calibration helps to decrease maintenance time

APPLICATIONS

- Emissions monitoring
- Broken bag detection in dust collectors
- Filter leak or wear detection
- Bin vent monitoring

MODEL CHART					
Example	PMT2	-05	-A	-U2	PMT2-05-A-U2
Series	PMT2				Particulate transmitter
Probe Length		03			3" probe length
		05			5" probe length
		10			10" probe length
		15			15" probe length
		20			20" probe length
		30			30" probe length
		36			36" probe length
Process Connection			A		3/4" male NPT
			B		1.5" tri-clamp kit with 1" male NPT
Enclosure Rating				U2	UL (IS)
Options				ST	Stainless steel tag

ACCESSORIES	
Model	Description
A-PMT2-M20	1/2" NPT to M20 conduit adaptor
A-PMT2-FLG	2" flange with 3/4" NPT female connection, 316 SS

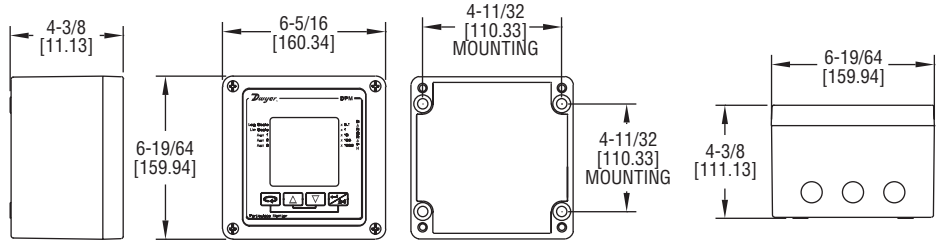
SPECIFICATIONS

Service: Air and compatible gases, any type of particulate conductive or non-conductive.
Wetted Materials: 316L SS, silicone, and PTFE.
Enclosure: Powder coated aluminum.
Accuracy: ±5% of reading.
Particulate Size: 0.3 microns and higher.
Detection Range: 5 to 5000 pA (6 selectable range options).
Temperature Limits: Ambient: -40 to 158°F; Process: -40 to 248°F.
Pressure Limit: 30 psi (2 bar).
Output Signal: 4 to 20 mA.
Power Requirements: 12 to 28 VDC.
Electrical Connection: Two 1/2" female NPT conduit openings.
Terminal Block: Removable (16 to 20 AWG wire).
Process Connection: See model chart.
Probe Lengths: See model chart.
Enclosure Rating: NEMA 4X (IP66).
Mounting Orientation: Any.
Digital Filter: 0 to 360 s (10 selectable options).
Weight: Varies with length of probe and type of mount.
Agency Approvals: CE, cULus; ATEX pending, IECEX pending. UL Listed Intrinsically Safe for Class I, Groups C and D; Class II, Groups E, F and G; Class III.



PARTICULATE MONITOR & CONTROL

Real-Time Leak Gage, Adjustable Alarm Points



The **SERIES DPM** Particulate Monitor and Series PMS Particulate Sensor combine to provide a basic baghouse and cartridge filter leak detector designed for general maintenance planning and process protection. Leakage is gauged in real-time, on-the-spot, without prior baseline data and without signal tuning and displayed on the digital readout in a bar graph and an absolute digital readout. An alarm point can be set by simply moving an indicator up and down the gauge with the key pad.

FEATURES/BENEFITS

- Rugged cast aluminum housing with lockable membrane keypad
- Programmable alarm points
- Large LCD to display readouts digitally

APPLICATIONS

- Baghouses
- Bin vents
- Cartridge filters

SPECIFICATIONS

Inputs: From PMS sensor.
Output Ratings: Alarm relays: 2 form A (SPST) rated 5 A @ 240 V res. (must provide an 8 A (max) fuse in series with relay load); Analog: 4 to 20 mA (option RC).
Power Requirements: 115 VAC 50/60 Hz, 230 VAC 50/60 Hz, or 24 VDC.
Power Consumption: 6 W max.
Accuracy: Standard: ±5% of range, Optional: ±1% of range.
Display: LCD.
Display Resolution: Standard: 5 pA; Optional: 0.5 pA.
Memory Backup: For set point storage only.
Temperature Limits: -13 to 160°F (-25 to 70°C).
Weight: 4.5 lb (2.0 kg).
Enclosure: Cast aluminum, weatherproof, NEMA 4X (IP66).
Loop Power Supply (Isolated): 17 VDC loop supply provided by DPM control unit for PMS sensor.
Agency Approvals: CE & CSA.*
 *DPM models listed intrinsically safe are to be used with corresponding intrinsically safe PMS models making an intrinsically safe control loop. The PMS model can then be installed in a hazardous location according to approval ratings listed. The DPM itself is not intrinsically safe and must be installed outside the hazardous location.

MODEL CHART			
Model	System Rating	Range	Input Power
DPM-A111	Weatherproof/NEMA 4X (IP66)	5.0 pA - 5000 pA	115 VAC 50/60 Hz
DPM-A112	Weatherproof/NEMA 4X (IP66)	5.0 pA - 5000 pA	230 VAC 50/60 Hz
DPM-A113	Weatherproof/NEMA 4X (IP66)	5.0 pA - 5000 pA	24 VDC
DPM-A121	Weatherproof/NEMA 4X (IP66)	0.5 pA - 5000 pA	115 VAC 50/60 Hz
DPM-A122	Weatherproof/NEMA 4X (IP66)	0.5 pA - 5000 pA	230 VAC 50/60 Hz
DPM-A123	Weatherproof/NEMA 4X (IP66)	0.5 pA - 5000 pA	24 VDC
DPM-AHZ111	Intrinsically safe*	5.0 pA - 5000 pA	115 VAC 50/60 Hz
DPM-AHZ112	Intrinsically safe*	5.0 pA - 5000 pA	230 VAC 50/60 Hz
DPM-AHZ113	Intrinsically safe*	5.0 pA - 5000 pA	24 VDC
DPM-AHZ121	Intrinsically safe*	0.5 pA - 5000 pA	115 VAC 50/60 Hz
DPM-AHZ122	Intrinsically safe*	0.5 pA - 5000 pA	230 VAC 50/60 Hz
DPM-AHZ123	Intrinsically safe*	0.5 pA - 5000 pA	24 VDC

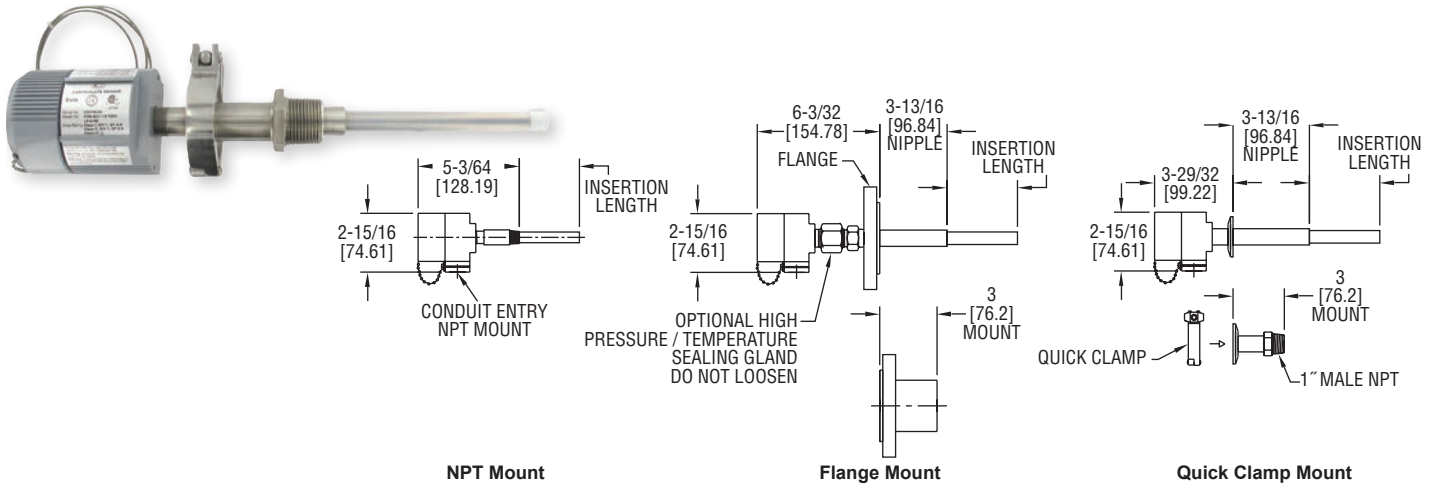
*DPM models listed intrinsically safe are to be used with corresponding intrinsically safe PMS models making an intrinsically safe control loop. The PMS model can then be installed in a hazardous location according to approval ratings listed. The DPM itself is not intrinsically safe and must be installed outside the hazardous location.

OPTION	
To order add suffix:	Description
-RC	Analog output (4-20 mA)

Particulate (Dust or Broken Bag) Sensors

PARTICULATE SENSOR

Reliable Operation, Minimal Maintenance



The **SERIES PMS** Particulate Sensor employs a field-proven combination of passive-induction and protected-probe technologies. As particles flow near and around the probe, the signal is processed into an absolute output that can be sent to a Series DPM Particulate Monitor. Protective layers over the probe work in combination with induction-sensing to ensure reliable operation with all types of particulate including moist powders and highly conductive dusts.

FEATURES/BENEFITS

- Durable housing that is free of electronics
- Minimal maintenance needed

APPLICATIONS

- Baghouses
- Bin vents
- Cartridge filters

SPECIFICATIONS

Service: Air and compatible gases, any type particulate.
Wetted Materials: T1 and T2: 316SS and PFA; T3 and T4: 316SS and ceramic.
Temperature Limits: Ambient: Maximum -40 to 392°F (-40 to 200°C) (max must be calculated for each application); Process: See model chart.
Pressure Limits: Standard: Full vacuum to 10 psi (0.69 bar); Optional: 100 psi (6.89 bar).
Output Signal: pA.
Electrical Connection: Low noise coaxial.
Process Connection: See model chart.
Enclosure: Standard: Painted cast aluminum, weatherproof, NEMA 4X (IP66); Optional: Intrinsically safe, CSA (must use with proper DPM model).
Weight: Varies depending on length of probe and type of mount.
Agency Approvals: CE, CSA.

MODEL CHART							
Example	PMS	-A1	1	T1	P1	-L1.5	PMS-A11T1P1-L1.5
Series	Particulate sensor						
Enclosure Rating	A1	AHZ1					Weatherproof, NEMA 4X (IP66) Intrinsically safe, CSA & CEA approvals, class I, II, and III; division I & II, all groups, NEMA 4X (requires quick clamp connection or flange mount)
Process Connection			1 2 3 4				1/2" NPT 1" NPT with 1.5" quick clamp connection 2" 150# ANSI flange 2" 150# ANSI flange with process mating flange and installation kit
Maximum Process Temperature				T1 T2 T3 T4			250°F (121°C) 450°F (232°C) 800°F (426°C) - requires flange mount 1200°F (649°C) - requires flange mount
Maximum Process Pressure					P1 P2		10 psi 100 psi - requires flange mount
Insertion Length*						L1.5 L03 L05 L10 L15 L20 L30 L36 L48 L60 L72	1.5" probe 3" probe 5" probe 10" probe 15" probe 20" probe 30" probe 36" probe 48" probe 60" probe 72" probe

*Recommended at least 1/2 duct diameter

MODEL CHART			
Model	Description	Model	Description
CAB-10	10 foot sensor cable	CAB-30	30 foot sensor cable
CAB-20	20 foot sensor cable	CAB-40	40 foot sensor cable

Note: Consult factory for custom cable lengths up to 300 feet.

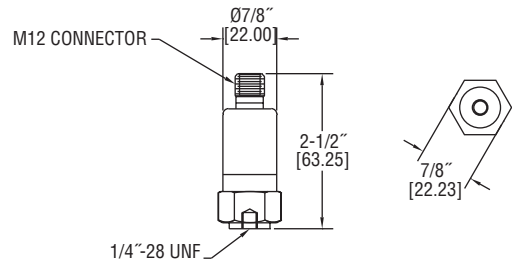
Particulate (Dust or Broken Bag) Sensors

VIBRATION TRANSMITTER

Continuous 4 to 20 mA Output Signal



Scan here to watch product video



The **MODEL VBT-1** Vibration Transmitter continuously detects the vibration in a system and monitors for unusual operating conditions and potential failure. The vibration is converted into an analog signal at the current output. The 2-wire loop power operation, combined with standard M12 micro cable connector and interchangeable mounting studs, make for a fast and reliable installation.

FEATURES/BENEFITS

- Easy set-up and operating concept
- Stainless steel housing
- No software required

APPLICATIONS

Vibration monitoring for:

- Motors
- Pumps
- Fans
- Engines
- Compressors
- Gear boxes

SPECIFICATIONS

Housing Material: 316 SS.
Temperature Limit: -22 to 221°F (-30 to 105°C).
Accuracy: $\pm 3\%$.
Connections: M12 connector.
Enclosure Rating: NEMA 6 (IP68).
Electrical Rating: 9.6 to 32 VDC.

Mounting Orientation: Any position.
Nonlinearity: $< \pm 0.25\%$ of span.
Frequency Range: 10 to 1000 Hz.
Output Signal: 4 to 20 mA.
Repeatability: $< 0.5\%$.
Weight: 0.28 lb (0.125 kg).
Agency Approvals: CE.

MODEL CHART

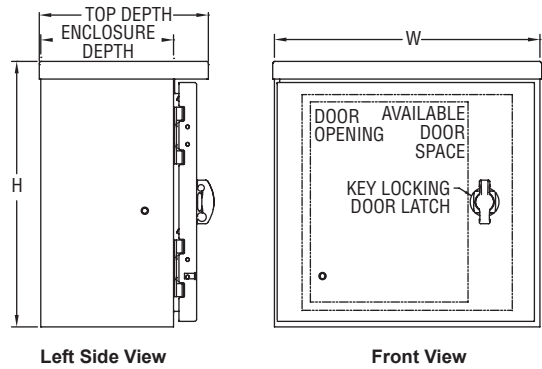
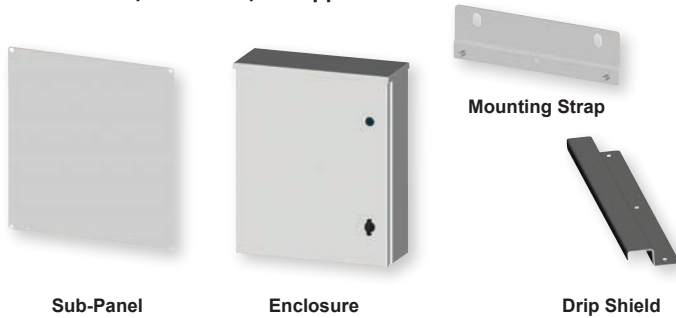
Model	Description
VBT-1	Vibration transmitter



GALVANNEALED STEEL ENCLOSURE

Wall Mounted, NEMA 3R, UL Approved

Vibration Controls



The **SERIES CSE-3R** Carbon Steel Enclosures are spot-welded, wall mounted enclosures designed to house electrical controls, instruments, and components in an outdoor environment. The enclosure features concealed hinges that allow 180° of rotation, a quarter turn latch that can be opened/closed with a screwdriver, and ground studs on the door and body. Mounting holes on the back of the enclosure allow for versatile mounting and standoffs provide easy installation of optional sub-panels. A rain cap and an oil resistant door gasket will protect instruments from rain, sleet, and snow. Each unit includes a 3/8-16 grounding kit and has the option of including a sub-panel, mounting strap, and/or a drip shield. This series is the perfect accessory for a variety of instrumentation in need of outdoor protection.

SPECIFICATIONS

Materials: Galvannealed steel enclosure; All other components: Carbon steel.
Rating: NEMA 3R (IP32).
Dimensions: See chart for enclosure dimensions; Sub-panel height = enclosure height - 3" (76 mm); Sub-panel width = enclosure width - 3" (76 mm); Mounting strap width = enclosure width - 4" (102 mm); Drip shield width = enclosure width.
Thickness: 0.048" (1.22 mm) for drip shields; 0.060" (1.52 mm) for enclosures $< 24"$ wide; 0.075" (1.91 mm) for enclosures $\geq 24"$ wide; 0.125" (3.18 mm) for sub-panels; 0.078" (1.98 mm) for mounting straps.
Weight: See chart.
Agency Approvals: CSA, cULus. (Meets the technical requirements of EU Directive 2011/65/EU (RoHS II)).

MODEL CHART

Enclosure* Model	Height in (cm)	Width in (cm)	Depth in (cm)	Weight lb (kg)	Sub Panel* Model	Weight lb (kg)	Mounting Strap* Model	Weight lb (kg)	Drip Shield* Model	Weight lb (kg)
CSE-3R-121206	12 (30)	12 (30)	6 (15)	15 (7)	A-SSE-P-1212	3 (1.4)	A-CSE-3M-12	2 (0.9)	A-CSE-D-12	2 (0.9)
CSE-3R-161206	16 (41)	12 (30)	6 (15)	16 (7)	A-SSE-P-1612	4 (1.8)	A-CSE-3M-16	2 (0.9)	A-CSE-D-16	2 (0.9)
CSE-3R-201606	20 (51)	16 (41)	6 (15)	25 (11)	A-SSE-P-2016	8 (3.6)	A-CSE-3M-20	3 (1.4)	A-CSE-D-20	3 (1.4)
CSE-3R-242006	24 (61)	20 (51)	6 (15)	32 (15)	A-SSE-P-2420	14 (6.4)	A-CSE-3M-24	4 (1.8)	A-CSE-D-24	4 (1.8)
CSE-3R-302408	30 (76)	24 (61)	8 (20)	60 (27)	A-SSE-P-3024	22 (10)			A-CSE-D-30	4 (1.8)
CSE-3R-362408	36 (91)	24 (61)	8 (20)	62 (28)	A-SSE-P-3624	27 (12.2)				
CSE-3R-363008	36 (91)	30 (76)	8 (20)	70 (32)	A-SSE-P-3630	34 (15.4)				

*For additional sizes contact factory.

ACCESSORIES

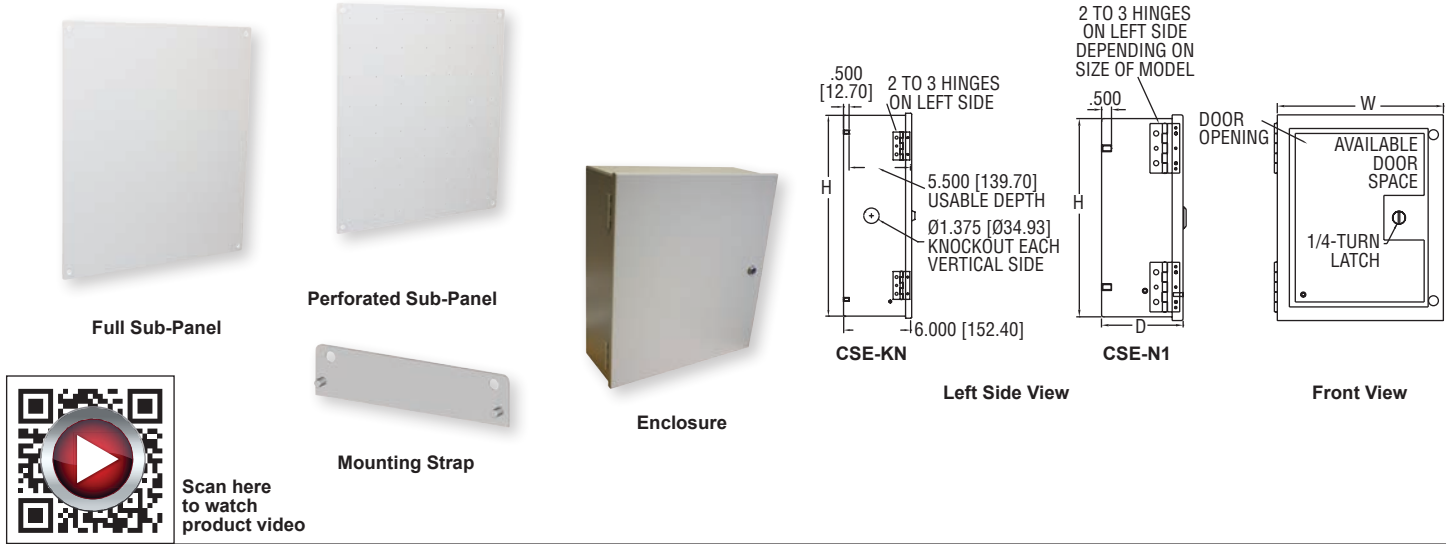
Model	Description
A-CSE-L	Keylocking wing knob door latch, Includes 1 lock and 2 keys
A-CSE-K	Replacement keys, includes 2 keys



A-CSE-L

CARBON STEEL ENCLOSURE

Wall Mounted, General Purpose Enclosure, UL Approved



Scan here to watch product video

The **SERIES CSE-N1 & CSE-KN** Carbon Steel Enclosures are spot-welded, wall mounted enclosures designed to house electrical controls, instruments, and components in general purpose areas. The door features butt hinges that allow 180° of rotation, a quarter turn latch, and a ground stud. Mounting holes on the back of the enclosure allow for versatile mounting on CSE-N1 models. CSE-KN models include the sub-panel and knock outs to allow cords to pass easily to the limit. Optional solid or perforated sub-panel and mounting straps are offered for easy instrument mounting. This series is the perfect accessory for a variety of instrumentation in need of general protection and security.

SPECIFICATIONS	
Materials: Carbon steel.	
Rating: NEMA 1.	
Dimensions: See chart.	
Thickness: 0.060" (1.52 mm) for enclosures <24" wide; 0.075" (1.91 mm) for enclosures ≥ 24" wide; 0.060" (1.52 mm) for perforated sub-panels; 0.075" (1.91 mm) for solid sub-panels; 0.078" (1.98 mm) for mounting straps.	
Weight: See chart.	
Agency Approvals: CSA, cULus. (Meets the technical requirements of EU Directive 2011/65/EU (RoHS II).	

MODEL CHART												
Enclosure* Model	Height in (cm)	Width in (cm)	Depth in (cm)	Weight lb (kg)	Sub-Panel* Model**	Height in (cm)	Width in (cm)	Weight lb (kg)	Sub-Panel* Model**	Height in (cm)	Width in (cm)	Weight lb (kg)
CSE-N1-100804	10 (25)	8 (20)	4 (10)	7 (3.2)	A-CSE-1S-1008	8 (20)	6 (15)	2 (0.9)	A-CSE-1S-2016	18 (46)	14 (36)	6 (2.7)
CSE-N1-101004	10 (25)	10 (25)	4 (10)	8.5 (3.9)	A-CSE-1P-1008	8 (20)	6 (15)	1 (0.5)	A-CSE-1P-2016	18 (46)	14 (36)	3 (1.4)
CSE-N1-121004	12 (30)	10 (25)	4 (10)	5 (2.3)	A-CSE-1S-1010	8 (20)	8 (20)	1 (0.5)	A-CSE-1S-2020	18 (46)	18 (46)	7 (3.2)
CSE-N1-121204	12 (30)	12 (30)	4 (10)	10 (4.5)	A-CSE-1P-1010	8 (20)	8 (20)	1 (0.5)	A-CSE-1P-2020	18 (46)	18 (46)	4 (1.8)
CSE-N1-141204	14 (36)	12 (30)	4 (10)	10 (4.5)	A-CSE-1S-1210	10 (25)	8 (20)	3 (1.4)	A-CSE-1S-2416	22 (56)	14 (36)	7 (3.2)
CSE-N1-161206	16 (41)	12 (30)	6 (15)	11 (5)	A-CSE-1P-1210	10 (25)	8 (20)	1 (0.5)	A-CSE-1P-2416	22 (56)	14 (36)	5 (2.3)
CSE-N1-161606	16 (41)	16 (41)	6 (15)	16 (7.3)	A-CSE-1S-1212	10 (25)	10 (25)	4 (1.8)	A-CSE-1S-2420	22 (56)	18 (46)	9 (4.1)
CSE-N1-201606	20 (51)	16 (41)	6 (15)	21 (9.5)	A-CSE-1P-1212	10 (25)	10 (25)	2 (0.9)	A-CSE-1P-2420	22 (56)	18 (46)	7 (3.2)
CSE-N1-202006	20 (51)	20 (51)	6 (15)	25 (11.3)	A-CSE-1S-1412	12 (30)	10 (25)	3 (1.4)	A-CSE-1S-2424	22 (56)	22 (56)	11 (5)
CSE-N1-241606	24 (61)	16 (41)	6 (15)	27 (12.2)	A-CSE-1P-1412	12 (30)	10 (25)	2 (0.9)	A-CSE-1P-2424	22 (56)	22 (56)	8 (3.6)
CSE-N1-242006	24 (61)	20 (51)	6 (15)	31.5 (14.3)	A-CSE-1S-1612	14 (36)	10 (25)	3 (1.4)	A-CSE-1S-3024	28 (71)	22 (56)	13 (6)
CSE-N1-242406	24 (61)	24 (61)	6 (15)	41 (18.6)	A-CSE-1P-1612	14 (36)	10 (25)	2 (0.9)	A-CSE-1P-3024	28 (71)	22 (56)	11 (5)
CSE-N1-302406	30 (76)	24 (61)	6 (15)	54 (24.5)	A-CSE-1S-1616	14 (36)	14 (36)	4 (1.8)	A-CSE-1S-3030	28 (71)	28 (71)	17 (8)
CSE-N1-303008	30 (76)	30 (76)	8 (20)	60 (27.2)	A-CSE-1P-1616	14 (36)	14 (36)	2 (0.9)	A-CSE-1P-3030	28 (71)	28 (71)	14 (6)

*For additional sizes contact factory. **1S denotes a solid steel panel; 1P denotes a perforated steel panel.

MODEL CHART		
Mounting Strap* Model	Width in (cm)	Weight lb (kg)
A-CSE-1M-08	7.1 (18)	1 (0.5)
A-CSE-1M-10	9.1 (23)	1 (0.5)
A-CSE-1M-12	11.1 (28)	1 (0.5)
A-CSE-1M-16	15.1 (38)	2 (0.9)
A-CSE-1M-20	19.1 (49)	2 (0.9)
A-CSE-1M-24	23.1 (59)	3 (1.4)

*For additional sizes contact factory.

MODEL CHART							
Enclosure Model	Height in (cm)	Width in (cm)	Depth in (cm)	Weight lb (kg)	Mounting Strap Model	Width in (cm)	Weight lb (kg)
CSE-KN-181606	18 (46)	16 (41)	6 (15)	22 (10)	A-CSE-1M-16	15.1 (38)	2 (0.9)
CSE-KN-242006	24 (61)	20 (51)	6 (15)	35 (16)	A-CSE-1M-20	19.1 (49)	2 (0.9)
CSE-KN-362406	36 (91)	24 (61)	6 (15)	58 (26)	A-CSE-1M-24	23.1 (59)	3 (1.4)

ACCESSORIES	
Model	Description
A-CSE-L	Keylocking wing knob door latch, includes 1 lock and 2 keys
A-CSE-K	Replacement keys, includes 2 keys

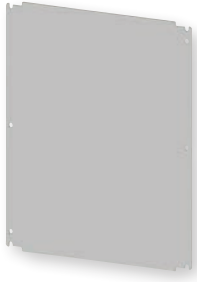


A-CSE-L



STAINLESS STEEL ENCLOSURE

Wall Mounted, NEMA 4X, UL Approved



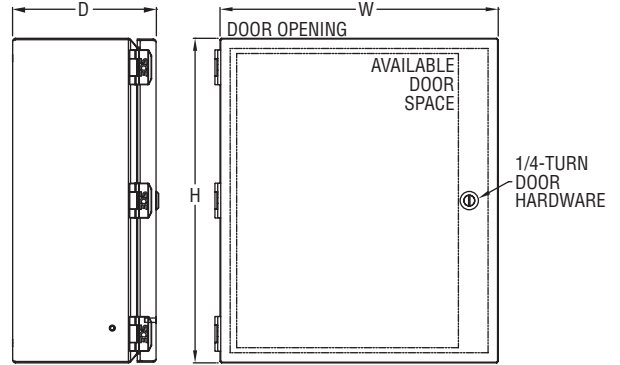
Sub-Panel



Enclosure



Drip Shield



Left Side View

Front View



Scan here to watch product video

The **SERIES SSE** Stainless Steel Enclosures are wall mounted enclosures designed to house electrical controls, instruments, and components in locations that are wet, oily, or may be regularly hosed down. The enclosure features seamless welds, butt hinges that allow 180° of rotation, a quarter turn latch that can be opened/closed with a screwdriver, ground studs on the door and body, and standoffs for mounting additional sub-panels. Mounting holes and mounting feet allow for versatile mounting. The oil-resistant gasket, sealing washers, and hole plugs ensure that the components are protected at all times. Optional sub-panels and drip shields can be purchased separately. Mounting feet are included with the SSE-J but must be purchased separately for the SSE-E enclosures. This series is the perfect accessory for a variety of instrumentation in need of full protection.

SPECIFICATIONS

Materials: Enclosure: 304 SS; Mounting feet: 316 SS†; Hinges: Plastic; All other components: Carbon steel.
Rating: NEMA 4X (IP66).
Dimensions: See chart.
Thickness: 0.048" (1.22 mm) for A-SSE-D-XX; 0.063" (1.60 mm) for SSE-J-XXXXX; 0.075" (1.91 mm) for SSE-E-XXXXX and A-SSE-PJ-XXXX; 0.088" (2.24 mm) for A-SSE-P-XXXX; 0.13" (3.30 mm) for A-SSE-F.
Weight: See chart.
Agency Approvals: CSA, cULus. (Meets the technical requirements of EU Directive 2011/65/EU (RoHS II).
 †Included with SSE-J models only.

MODEL CHART

Enclosure** Model*	Height in (cm)	Width in (cm)	Depth in (cm)	Weight lb (kg)	Sub-Panel Model	Height in (cm)	Width in (cm)	Weight lb (kg)	Drip Shield Model	Width in (cm)	Weight lb (kg)
SSE-J-100804	10 (25)	8 (20)	4 (10)	6 (2.7)	A-SSE-PJ-1008	9 (23)	7 (18)	4 (1.8)	A-SSE-D-12	12 (30)	3 (1.4)
SSE-J-121006	12 (30)	10 (25)	6 (15)	10 (4.5)	A-SSE-PJ-1210	11 (29)	9 (23)	2 (0.9)	A-SSE-D-16	16 (41)	4 (1.8)
SSE-J-121206	12 (30)	12 (30)	6 (15)	11 (5)	A-SSE-PJ-1212	11 (29)	11 (29)	3 (1.4)	A-SSE-D-20	20 (51)	4 (1.8)
SSE-J-141206	14 (36)	12 (30)	6 (15)	13 (5.9)	A-SSE-PJ-1412	13 (34)	11 (29)	3 (1.4)	A-SSE-D-24	24 (61)	5 (2.3)
SSE-J-161406	16 (41)	14 (36)	6 (15)	16 (7.3)	A-SSE-PJ-1614	15 (39)	13 (34)	3 (1.4)	A-SSE-D-30	30 (76)	4 (1.8)
SSE-E-161606	16 (41)	16 (41)	6 (15)	21 (10)	A-SSE-P-1616	13 (33)	13 (33)	6 (2.7)			
SSE-E-201606	20 (51)	16 (41)	6 (15)	28 (13)	A-SSE-P-2016	17 (43)	13 (33)	8 (3.6)			
SSE-E-202006	20 (51)	20 (51)	6 (15)	34 (15)	A-SSE-P-2020	17 (43)	17 (43)	10 (4.5)			
SSE-E-202408	20 (51)	24 (61)	8 (20)	43 (20)	A-SSE-P-2416	21 (53)	13 (33)	14 (6.4)			
SSE-E-241608	24 (61)	16 (41)	8 (20)	36 (16)	A-SSE-P-2420	21 (53)	17 (43)	11 (5)			
SSE-E-242006	24 (61)	20 (51)	6 (15)	40 (18)	A-SSE-P-2424	21 (53)	21 (53)	17 (7.7)			
SSE-E-242408	24 (61)	24 (61)	8 (20)	49 (22)	A-SSE-P-3016	27 (69)	13 (33)	14 (6.4)			
SSE-E-301606	30 (76)	16 (41)	6 (15)	41 (19)	A-SSE-P-3020	27 (69)	17 (43)	18 (8.2)			
SSE-E-302008	30 (76)	20 (51)	8 (20)	52 (24)	A-SSE-P-3024	27 (69)	21 (53)	22 (10)			
SSE-E-302408	30 (76)	24 (61)	8 (20)	53 (24)	A-SSE-P-3030	27 (69)	27 (69)	28 (13)			
SSE-E-303008	30 (76)	30 (76)	8 (20)	67 (30)							

*For additional sizes contact factory. **For 316 SS enclosures contact factory.

ACCESSORIES

Model	Description
A-CSE-L	Keylocking wing knob door latch, includes 1 lock and 2 keys
A-CSE-K	Replacement keys, includes 2 keys
A-SSE-F	Mounting feet, includes 4 feet†

†Included with SSE-J models only.




A-CSE-L




A-SSE-F

TYPICAL APPLICATIONS
pages 314-315


HVAC Mobile Application
page 314

HVAC MEASUREMENT GUIDE
page 316-319


Manometers, Portable
pages 320-328


Manometers, Air Velocity
pages 329-330



Pitot Tubes
pages 331-333



Air Flow Grids
page 334



Vane Anemometer
page 335



Wind Meters
page 336


Vane Thermo-Anemometers
page 337


Thermo-Anemometers
page 338


Air Flow Hood
page 339


HVAC Balancing Instruments
pages 340-344


Thermo-Hygrometers
page 345


Gas Analyzers/Kits
pages 346-347


Signal Generators/ Multimeters
page 348


Calibration Pumps
pages 349-351



Pressure Calibrators
page 352



Chart Recorders
page 353


Data Loggers, Single Pressure
page 354


Data Loggers, Indicating
page 355


Data Loggers, Temperature
page 356

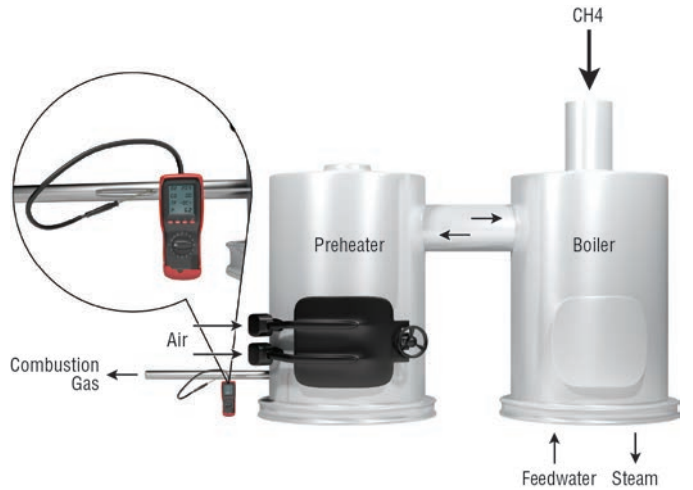

Data Loggers, USB
page 357


Data Loggers, Wireless
page 358



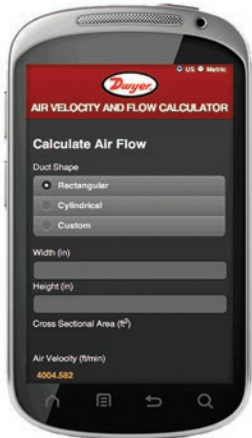
Current/voltage signal generator used to calibrate panel meters.

The Model CSG Digital Signal Generator is perfect for generating or simulating input signals to panel meters and process controllers. The signal generator is capable of sourcing up to 10 VDC or 20 mA in 1 VDC or 1 mA steps. The backlit digital display allows users to quickly compare the reading on the Model CSG to that of the panel meter or process controller. The signal from the Model CSG can be used to set up the upper and lower limits of the process range. It can also be used to insure that set point and alarm functions are working properly on the panel meter or process controller.



Combustion analyzer maximize boiler efficiency while monitoring harmful products of combustion.

There are several critical factors in attaining efficient combustion for boilers and other combustors. Monitoring the temperature of combustion and minimizing the amount of excess air in the system are undoubtedly essential steps. A Dwyer 1207-NOx Flue Gas Analyzer can break down the products of combustion, giving an accurate volumetric composition of harmful NOx compounds, O₂, CO₂, and CO. Additionally, the 1207-NOx will monitor differential temperature, excess air and poison index. Results can be easily viewed on screen or uploaded to a PC via the user-friendly software.



FREE DOWNLOAD!

Download the phone App or use the Web version of our Air Velocity and Flow Calculator on our website at: www.dwyer-inst.com/flowcalc.



Scan here to watch product video

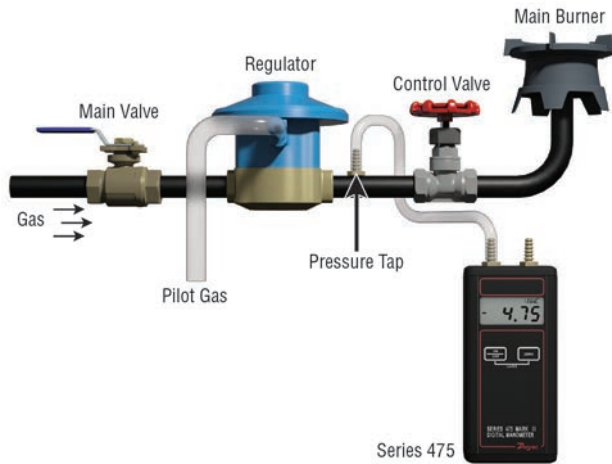
HVAC mobile application

For those customers in the HVAC or Building Automation Systems Industry, Dwyer offers the Air Velocity and Flow Calculator App available on the iOS® and Google Play® Markets. One can easily convert velocity pressure to air velocity or air velocity to air volume. Converting velocity pressure to air volume is advantageous for effortlessly changing the pressure on your Magnehelic® Differential Pressure Gage or manometer to velocity. Moreover, this Calculator also includes air density factors from humidity levels. By utilizing the air velocity to air volume functionality, one can simplistically convert the air velocity to air flow rates from duct dimensions, with just the tap of a button.



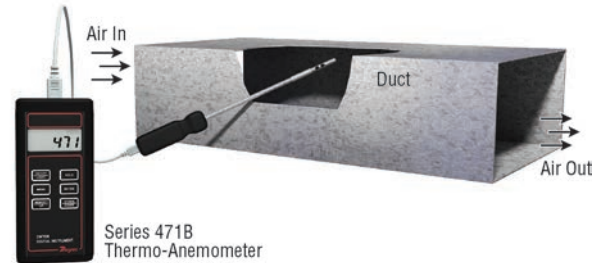
Field calibrate and certify pressure gauges.

Using the series PHP-1 with a DPG-100, a technician can calibrate or certify process pressure gauges up to 1% accurate. The PHP-1 hand pump can easily supply pressures up to 600 PSI by squeezing the handle and adjusting the volume control valve. The pump has two connections to be connected with a test gauge, such as the Dwyer Model DPG-100, and a process gauge, such as the Dwyer SGL series.



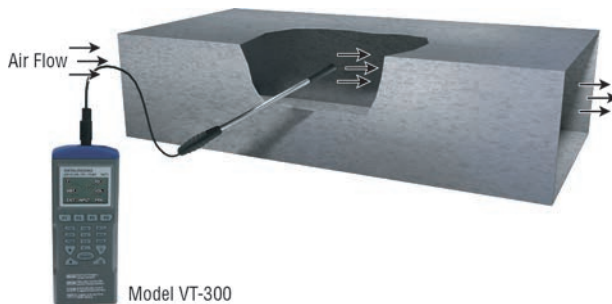
Digital Manometers used to check gas pressure to a heating burner.

Checking the gas pressure to a heating unit on the burner side of the regulator is a standard installation and service routine. The Dwyer Series 475 Handheld Digital Manometer is a low-cost, durable device that is easily transportable in a pocket or briefcase. Units are highly accurate with 0.5% full scale accuracy. Some servicemen prefer our portable Dwyer Magnehelic® differential pressure gage with dial type scale for field use.



Determine air velocity and temperature levels in ducts or air supply grills.

The Dwyer Series 471B Digital Thermo-Anemometer is the ideal portable product for determining air velocity and temperature levels in ducts or air supply grills. With a push of a button, FPM and Fahrenheit readings are converted to MPS and Celsius. Readings may be stored and retrieved which allows the user greater efficiency with HVAC balancing at various locations in a building.



Handheld anemometer enables measuring duct flow measurements.

Handheld anemometers are an excellent, portable tool for performing tests on HVAC system performance; however, large rotating vanes can prevent easy access to ducts. Dwyer introduces the VT-300 Mini-Vane Thermo-Anemometer to eliminate this problem. Additionally, simple keypad programming enables the user to view volumetric flow rates in CFM or CMM.



Quickly measure humidity and temperature levels in ambient air.

The Dwyer 485B-1 Thermo-Hygrometer is a simple, portable device for quickly measuring humidity and temperature levels in ambient air. The dew point and wet-bulb temperature readings are derived from relative humidity and temperature measurements. The 485B-1 is often used in agricultural applications where proper humidity and temperature levels are critical in plant or animal well being.

AIR VELOCITY MEASUREMENT

INTRODUCTION

In air conditioning, heating and ventilating work, it is helpful to understand the techniques used to determine air velocity. In this field, air velocity (distance traveled per unit of time) is usually expressed in feet per minute (FPM). By multiplying air velocity by the cross section area of a duct, you can determine the air volume flowing past a point in the duct per unit of time. Volume flow is usually measured in cubic feet per minute (CFM).

Velocity or volume measurements can often be used with engineering handbook or design information to reveal proper or improper performance of an airflow system. The same principles used to determine velocity are also valuable in working with pneumatic conveying, flue gas flow and process gas systems. However, in these fields the common units of velocity and volume are sometimes different from those used in air conditioning work.

To move air, fans or blowers are usually used. They work by imparting motion and pressure to the air with either a screw propeller or paddle wheel action. When force or pressure from the fan blades causes the air to move, the moving air acquires a force or pressure component in its direction of motion due to its weight and inertia. Because of this, a flag or streamer will stand out in the air stream. This force is called velocity pressure. It is measured in inches of water column (w.c.) or water gage (w.g.). In operating duct systems, a second pressure is always present. It is independent of air velocity or movement. Known as static pressure, it acts equally in all directions. In air conditioning work, this pressure is also measured in inches w.c.

In pressure or supply systems, static pressure will be positive on the discharge side of the fan. In exhaust systems, a negative static pressure will exist on the inlet side of the fan. When a fan is installed midway between the inlet and discharge of a duct system, it is normal to have a negative static pressure at the fan inlet and positive static pressure at its discharge.

Total pressure is the combination of static and velocity pressures, and is expressed in the same units. It is an important and useful concept to use because it is easy to determine and, although velocity pressure is not easy to measure directly, it can be determined easily by subtracting static pressure from total pressure. This subtraction need not be done mathematically. It can be done automatically with the instrument hook-up.

SENSING STATIC PRESSURE

For most industrial and scientific applications, the only air measurements needed are those of static pressure, total pressure and temperature. With these, air velocity and volume can be quickly calculated.

To sense static pressure, six types of devices are commonly used. These are connected with tubing to a pressure indicating instrument. Fig. 1-A shows a simple thru-wall static pressure tap. This is a sharp, burr-free opening through a duct wall provided with a tubing connection of some sort on the outside. The axis of the tap or opening must be perpendicular to the direction of flow. This type of tap or sensor is used where air flow is relatively slow, smooth and without turbulence. If turbulence exists, impingement, aspiration or unequal distribution of moving air at the opening can reduce the accuracy of readings significantly.

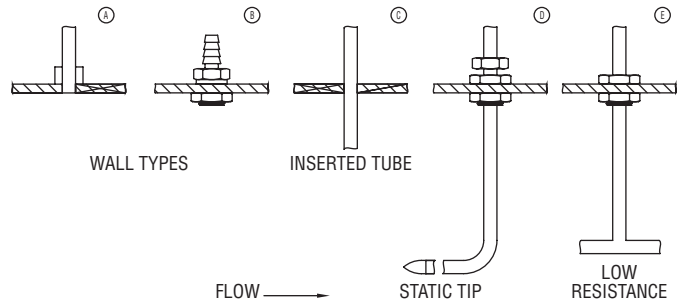


Figure 1 - Types of Static Pressure Devices

Fig. 1-B shows the Dwyer® No. A-308 Static Pressure Fitting. Designed for simplified installation, it is easy to install, inexpensive, and provides accurate static pressure sensing in smooth air at velocities up to 1500 FPM.

Fig. 1-C shows a simple tube through the wall. Limitations of this type are similar to wall type Fig. 1-A.

Fig. 1-D shows a static pressure tip which is ideal for applications such as sensing the static pressure drop across industrial air filters and refrigerant coils. Here the probability of air turbulence requires that the pressure sensing openings be located away from the duct walls to minimize impingement and aspiration and thus insure accurate readings. For a permanent installation of this type, the Dwyer® No. A-301 or A-302 Static Pressure Tip is used. It senses static pressure through radially-drilled holes near the tip and can be used in air flow velocities up to 12,000 FPM.

Fig. 1-E shows a Dwyer® No. A-305 low resistance Static Pressure Tip. It is designed for use in dust-laden air and for rapid response applications. It is recommended where a very low actuation pressure is required for a pressure switch or indicating gage — or where response time is critical.

MEASURING TOTAL PRESSURE AND VELOCITY PRESSURE

In sensing static pressure we make every effort to eliminate the effect of air movement. To determine velocity pressure, it is necessary to determine these effects fully and accurately. This is usually done with an impact tube which faces directly into the air stream. This type of sensor is frequently called a “total pressure pick-up” since it receives the effects of both static pressure and velocity pressure.



Scan here to watch product video

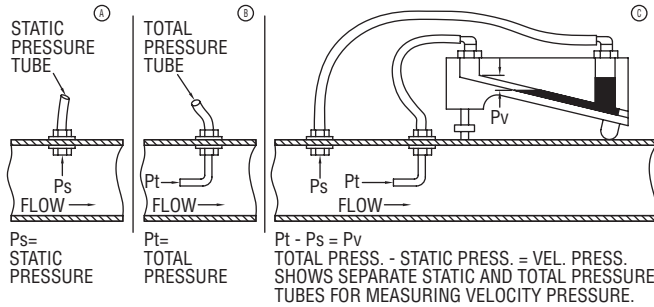


Figure 2 - Types of Pressure Measurements

In Figure 2, note that separate static connections (A) and total pressure connections (B) can be connected simultaneously across a manometer (C). Since the static pressure is applied to both sides of the manometer, its effect is cancelled out and the manometer indicates only the velocity pressure.

To translate velocity pressure into actual velocity requires either mathematical calculation, reference to charts or curves, or prior calibration of the manometer to directly show velocity. In practice this type of measurement is usually made with a Pitot tube which incorporates both static and total pressure sensors in a single unit.

Essentially, a Pitot tube consists of an impact tube (which receives total pressure input) fastened concentrically inside a second tube of slightly larger diameter which receives static pressure input from radial sensing holes around the tip. The air space between the inner and outer tubes permits transfer of pressure from the sensing holes to the static pressure connection at the opposite end of the Pitot tube and then, through connecting tubing, to the low or negative pressure side of a manometer. When the total pressure tube is connected to the high pressure side of the manometer, velocity pressure is indicated directly. See Figure 3.

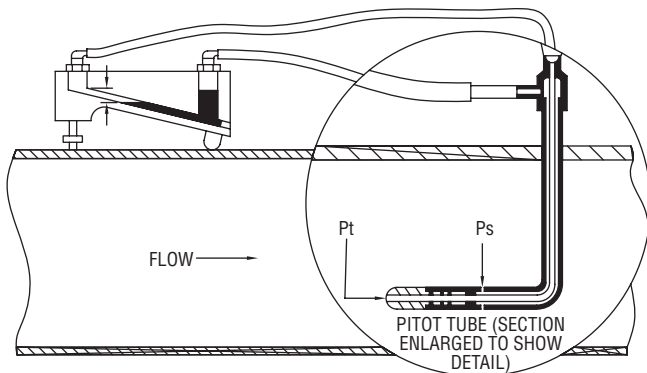


Figure 3 - Pitot Tube Senses Total and Static Pressures. Manometer Measures Velocity Pressure - (Difference Between Total and Static Pressures).

Since the Pitot tube is a primary standard device used to calibrate all other air velocity measuring devices, it is important that great care be taken in its design and fabrication. In modern Pitot tubes, proper nose or tip design — along with sufficient distance between nose, static pressure taps and stem — will minimize turbulence and interference. This allows use without correction or calibration factors. All Dwyer® Pitot tubes are built to AMCA and ASHRAE standards and have unity calibration factors to assure accuracy.

To insure accurate velocity pressure readings, the Pitot tube tip must be pointed directly into (parallel with) the air stream. As the Pitot tube tip is parallel with the static pressure outlet tube, the latter can be used as a pointer to align the tip properly. When the Pitot tube is correctly aligned, the pressure indication will be maximum.

Because accurate readings cannot be taken in a turbulent air stream, the Pitot tube should be inserted at least 8-1/2 duct diameters downstream from elbows, bends or other obstructions which cause turbulence. To ensure the most precise measurements, straightening vanes should be located 5 duct diameters upstream from the Pitot tube.

HOW TO TAKE TRAVERSE READINGS

In practical situations, the velocity of the air stream is not uniform across the cross section of a duct. Friction slows the air moving close to the walls, so the velocity is greater in the center of the duct.

To obtain the average total velocity in ducts of 4" diameter or larger, a series of velocity pressure readings must be taken at points of equal area. A formal pattern of sensing points across the duct cross section is recommended. These are known as traverse readings. Figure 4 shows recommended Pitot tube locations for traversing round and rectangular ducts.

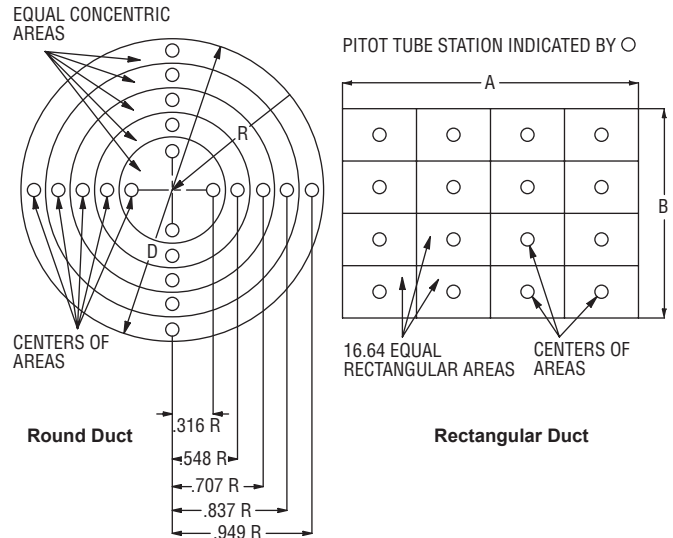


Figure 4 - Traverse on Round and Rectangular Duct Areas

In round ducts, velocity pressure readings should be taken at centers of equal concentric areas. At least 20 readings should be taken along two diameters. In rectangular ducts, a minimum of 16 and a maximum of 64 readings are taken at centers of equal rectangular areas. Actual velocities for each area are calculated from individual velocity pressure readings. This allows the readings and velocities to be inspected for errors or inconsistencies. The velocities are then averaged.

By taking Pitot tube readings with extreme care, air velocity can be determined within an accuracy of ±2%. For maximum accuracy, the following precautions should be observed:

1. Duct diameter should be at least 30 times dia. of Pitot tube.
2. Locate the Pitot tube in a duct section providing 8-1/2 or more duct diameters upstream and 1-1/2 or more diameters downstream of Pitot tube free of elbows, size changes or obstructions.
3. Provide an egg-crate type of flow straightener 5 duct diameters upstream of Pitot tube.
4. Make a complete, accurate traverse.

In small ducts or where traverse operations are otherwise impossible, an accuracy of ±5% can frequently be achieved by placing Pitot tube in center of duct. Determine velocity from the reading, then multiply by 0.9 for an approximate average.

AIR VELOCITY MEASUREMENT



Scan here
to watch
product video

CALCULATING AIR VELOCITY FROM VELOCITY PRESSURE

Manometers for use with a Pitot tube are offered in a choice of two scale types. Some are made specifically for air velocity measurement and are calibrated directly in feet per minute. They are correct for standard air conditions: i.e. air density of .075 lb per ft³ corresponds to dry air at 70°F, barometric pressure of 29.92 inches Hg. To correct the velocity reading for other than standard air conditions, the actual air density must be known. It may be calculated if relative humidity, temperature and barometric pressure are known.

Most manometer scales are calibrated in inches of water. Using readings from such an instrument, the air velocity may be calculated using the basic formula:

$$V = 1096.7 \sqrt{\frac{h_v}{d}} \left\{ = 4004.4 \sqrt{h_v} \text{ for } .075 \text{ lb/ft}^3 \text{ dry air @ } 70^\circ\text{F, } 29.92 \text{ in. Hg Baro.} \right\}$$

Where: V = Velocity in feet per minute.
h_v = Velocity pressure in inches of water.
d = Density of air in pounds per cubic foot.

To determine dry air density, use the formula:

$$d = 1.325 \frac{P_B}{T}$$

Where: d = Air density in pounds per cubic foot.

P_B = { Barometric (or absolute) static pressure in inches of mercury. }

T = Absolute temperature (indicated temperature in °F plus 460°).

With dry air at 29.9 inches mercury, air velocity can be read directly from curves on the following page. For partially or fully saturated air a further correction is required. To save time when converting velocity pressure into air velocity, the Dwyer® Air Velocity Calculator may be used. A simple slide rule, it provides for all the factors needed to calculate air velocity quickly and accurately. It is included as an accessory with each Dwyer® Pitot tube.

To use the Dwyer® Calculator:

1. Set relative humidity on scale provided. On scale opposite known dry bulb temperature, read correction factor.
2. Set temperature under barometric pressure scale. Read density of air over correction factor established in 1 (above).
3. On the other side of calculator, set air density reading just obtained on the scale provided.
4. Under Pitot tube reading (velocity pressure, inches of water) read air velocity, feet per minute.

DETERMINING VOLUME FLOW

Once the average air velocity is known, the air flow rate in cubic feet per minute is easily computed using the formula:

$$Q = AV$$

Where: Q = Quantity of flow in cubic feet per minute.
A = Cross sectional area of duct in square feet.
V = Average velocity in feet per minute.

DETERMINING AIR VOLUME BY CALIBRATED RESISTANCE

Manufacturers of air filters, cooling and condenser coils and similar equipment often publish data from which approximate air flow can be determined. It is characteristic of such equipment to cause a pressure drop which varies proportionately to the square of the flow rate. Figure 5 shows a typical filter and a curve for air flow versus resistance. Since it is plotted on logarithmic paper, it appears as a straight line. On this curve, a clean filter which causes a pressure drop of .50 in w.c. would indicate a flow of 2,000 c.f.m.

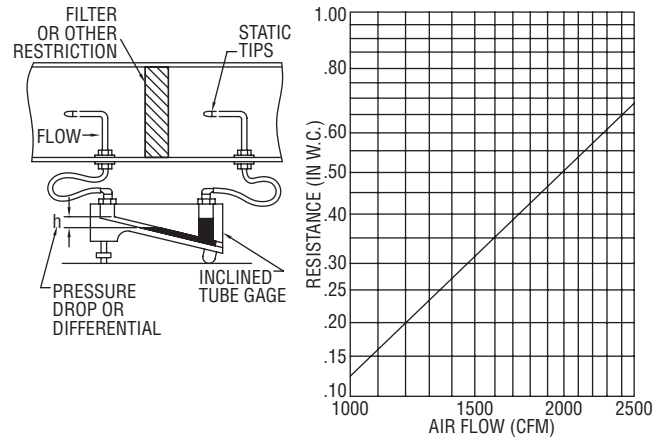


Figure 5 - Differential Measurement Across Duct Restriction

For example, assuming a manufacturer's specification for a filter, coil, etc:

Given Flow Q (ft³/min.) = at differential "h" (inches w.c.)

To determine flow at other differentials the formula is:

$$Q_n \text{ (other flows)} = Q \sqrt{\frac{h_n}{h}}$$

Where: Q = Quantity of flow in cubic feet per minute
h = Differential in inches water column
h_n = Differential (other flow conditions)

OTHER DEVICES FOR MEASURING AIR VELOCITY

A wide variety of devices are commercially available for measuring air velocities. These include hot wire anemometers for low air velocities, rotating and swinging vane anemometers and variable area flowmeters.

The Dwyer® No. 460 Air Meter is one of the most popular and economical variable area flowmeter type anemometers. Quick and easy to use, it is a portable instrument calibrated to provide a direct reading of air velocity.

A second scale is provided on the other side of the meter to read static pressure in inches w.c. The 460 Air Meter is widely used to determine air velocity and flow in ducts, and from supply and return grilles and diffusers. Two scale ranges are provided (high and low) with calibrations in both f.p.m. and in w.c.

TO CHECK ACCURACY

Use only devices of certified accuracy. All anemometers and to a lesser extent portable manometers should be checked regularly against a primary standard such as a hook gage or high quality micromanometer. If in doubt return your Dwyer® instrument to the factory for a complete calibration check at no charge.

HVAC MOBILE APPLICATION

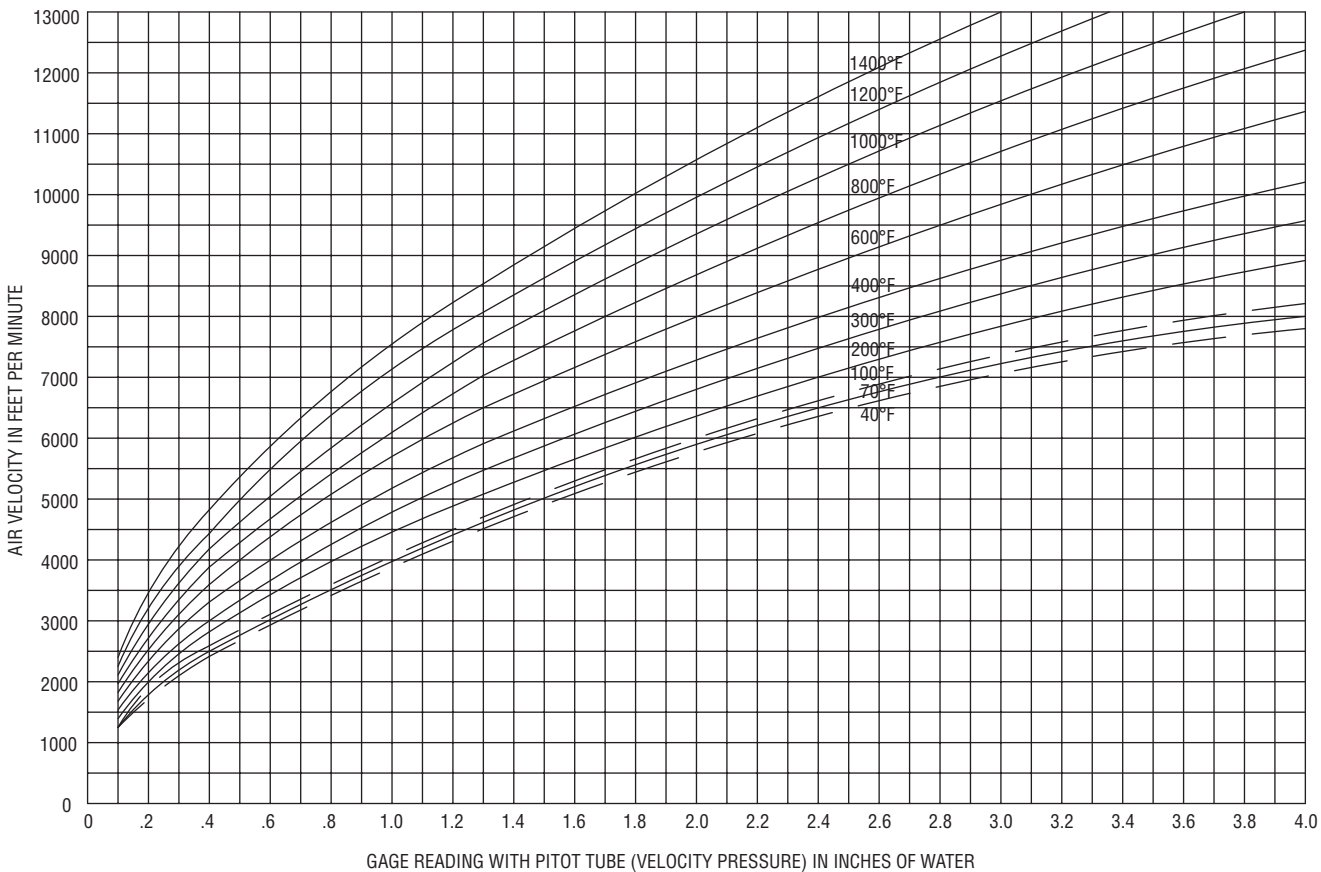
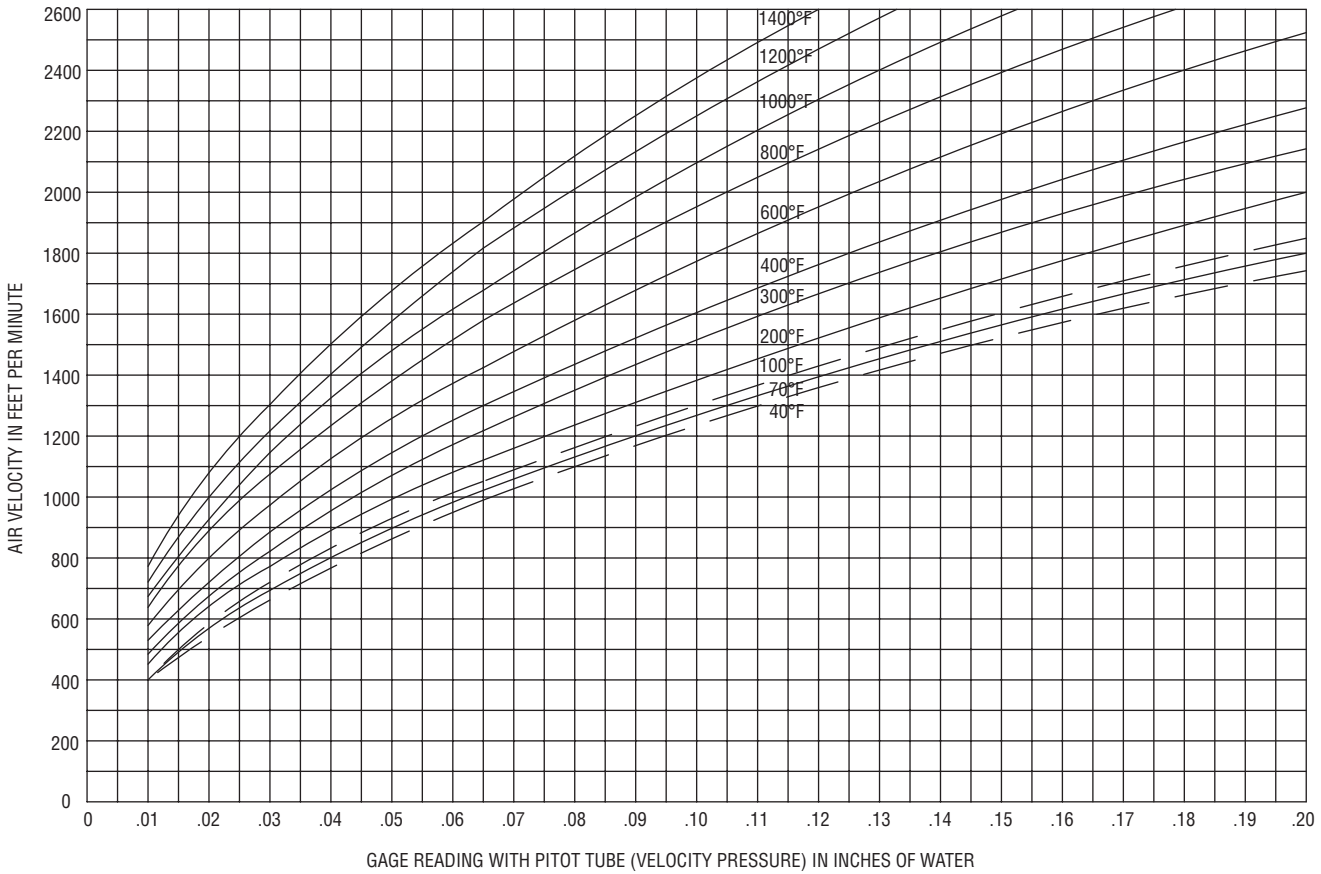
Easily converts velocity pressure to air velocity or air velocity to air volume.



See page 450 (HVAC Mobile Application)

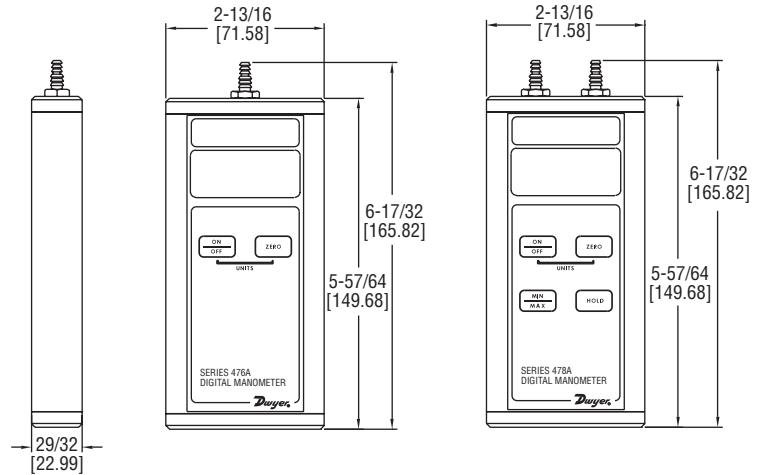


AIR VELOCITY FLOW CHARTS



SINGLE PRESSURE DIFFERENTIAL PRESSURE DIGITAL MANOMETERS

Electronic Zeroing, $\pm 1.5\%$ Accuracy



The **SERIES 476A** Single Pressure Digital Manometer can be used to measure low pressures from -20 to 20 in w.c. with $\pm 1.5\%$ FS accuracy. The **SERIES 478A** Differential Pressure Digital Manometer can be used to measure positive, negative, or differential pressures. Both units are constructed of an extruded aluminum case for exceptional durability.

FEATURES/BENEFITS

- $\pm 1.5\%$ FS accuracy
- Rugged extruded aluminum housing
- One button auto-zero function
- Auto power off function to conserve battery life
- Instant selection of up to nine English/metric units

APPLICATIONS

- Verify field instrumentation performance
- Adjust fuel mixture on combustion systems

SPECIFICATIONS

Service: Air and compatible gases.
Wetted Materials: Consult factory.
Accuracy: $\pm 1.5\%$ FS at 72°F (22.2°C). Includes linearity and repeatability.
Pressure Hysteresis: $\pm 0.1\%$ FS.
Pressure Limits: 5 psig (.74 bar).
Temperature Limits: 0 to 140°F (-17.8 to 60°C).
Compensated Temperature Limits: 32 to 104°F (0 to 40°C).
Thermal Effect: 0.05% FS/°F.
Display: 4 digit LCD (.425"H x .234"W digits).
Power Requirements: 9 V alkaline battery, installed non-functional, user replaceable.
Process Connections: For use with 3/16" or 1/4" ID tubing.
Weight: 10.8 oz (306 g).
Agency Approvals: CE.

MODEL CHART

Model	Range in w.c.	Available Pressure Units								Resolution in w.c.	Maximum Pressure	
		bar	psi	in Hg	kPa	in w.c.	mm Hg	mbar	mm w.c.			Pa
476A-0	-20.0 to 20.0	.0498	0.723	1.471	4.98	20.00	37.4	49.8	508	-	0.02	5 psig
478A-0	-4.00 to 4.00	-	.1445	.294	0.996	4.00	7.47	9.96	101.6	996	0.01	5 psig
478A-1	-60.0 to 60.0	.1495	2.168	4.41	14.95	60.0	112.1	149.5	1524	-	0.1	5 psig

OPTION

To order add suffix:	Description
-NIST	NIST traceable calibration certificate

Example: 478A-1-NIST

ACCESSORIES

Model	Description
A-402A	Carrying case, tough gray nylon pouch protects any Series 476A/478A manometer, double zippered for quick and easy access, belt loop that snaps closed, 7-1/2"H x 3"W x 2-1/4"D (191 x 76 x 57 mm)
UHH-C1	Soft carrying case
A-47X-BOOT	Protective magnetic rubber boot



A-402A



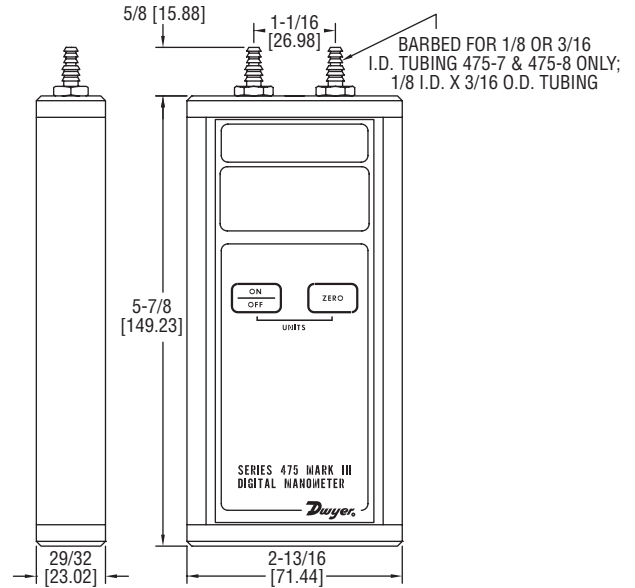
UHH-C1



A-47X-BOOT
(Manometer not included)

MK III INTRINSICALLY SAFE HANDHELD DIGITAL MANOMETER

Ranges from 1 in w.c. to 150 psid, ±0.5% Accuracy



The **SERIES 475** Mark III Handheld Digital Manometer measures positive, negative, or differential pressures of air and natural gases in ranges from 1 in w.c. (0.249 kPa) to 150 psid (10.34 bar). The dual push pads on the front panel control the on/off, auto zero, and pressure unit selection, allowing for simple operation with no set up needed. When used with a Dwyer® Pitot tube (P), the Series 475 can also be used as an air velocity gage.

FEATURES/BENEFITS

- Rugged aluminum case protects instrument from damage during transport/use
- Large, easy to read LCD and simple operation
- FM approved to be intrinsically safe in hazardous locations, Class 1, Div 2, Groups A, B, C, D, T4 Ta = 70°C.

APPLICATIONS

- Monitoring natural gas pressures on boilers and other combustion equipment
- Air velocity monitoring, when used with a Dwyer® Pitot tube (P) and AV calculator
- Field calibration of other instruments
- Monitoring or troubleshooting HVAC systems

SPECIFICATIONS

Service: Air and compatible combustible gases.
Wetted Materials: Consult factory.
Accuracy: ±0.5% FS, 60 to 78°F (15.6 to 25.6°C); ±1.5% FS from 32 to 60°F and 78 to 104°F (0 to 15.6°C and 25.6 to 40°C).
Pressure Hysteresis: ±0.1% FS.
Pressure Limits: See chart.
Temperature Limits: 0 to 140°F (-17.8 to 60°C).
Compensated Temperature Limits: 32 to 104°F (0 to 40°C).
Storage Temperature Limits: -4 to 176°F (-20 to 80°C).
Display: 0.42" (10.6 mm) 4 digit LCD.
Resolution: See chart.
Power Requirements: 9 V alkaline battery, installed non-functional, user replaceable.
Weight: 10.8 oz (306 g).
Process Connections: Two barbed connections for use with 1/8" (3.18 mm) or 3/16" (4.76 mm) ID tubing. Two compression fittings for use with 1/8" (3.18 mm) ID x 1/4" (6.35 mm) OD tubing for 475-7 & 475-8 only.
Agency Approvals: CE, FM approved to Class I, Div 2, Groups A, B, C, D, T4 Ta = 70°C.

MODEL CHART

Model	English Range	Metric Range	Maximum Pressure
475-000-FM	0 to 1.000 in w.c.	.2491 kPa	5 psig
475-00-FM	0 to 4.000 in w.c.	0.996 kPa	5 psig
475-0-FM	0 to 10.00 in w.c.	2.491 kPa	5 psig
475-1-FM	0 to 20.00 in w.c.	4.982 kPa	10 psig
475-2-FM	0 to 40.00 in w.c.	9.96 kPa	10 psig
475-3-FM	0 to 200.0 in w.c.	49.82 kPa	30 psig
475-4-FM	0 to 10.00 psi	.6895 bar	30 psig
475-5-FM	0 to 20.00 psi	1.379 bar	60 psig
475-6-FM	0 to 30.00 psi	2.069 bar	60 psig
475-7-FM	0 to 100.0 psi	6.895 bar	150 psig
475-8-FM	0 to 150.0 psi	10.34 bar	200 psig

OPTIONS

To order add suffix:	Description
-AV	Air velocity kit, includes the Series 475 manometer, two A-303 static pressure tips two 9' lengths 3/16" ID rubber tubing, no. 166-6-CF pitot tube, A-397 step drill, A-532 air velocity slide chart and instruction bulletin H-11, all packed in a tough, molded plastic carrying case with die cut foam liner.
Examples:	475-1-AV; 475-000-AV
-NIST	NIST traceable calibration certificate
Example:	475-1-NIST

ACCESSORIES	
Model	Description
A-402A	Carrying case, tough gray nylon pouch protects any Series 475 manometer, double zippered for quick and easy access, belt loop that snaps closed, 7-1/2"H x 3"W x 2-1/4"D (191 x 76 x 57 mm)
UHH-C1	Soft carrying case
A-47X-BOOT	Protective magnetic rubber boot



Pitot tube: See pages 93-118 (Air Quality section)
 Process Tubing Options: See page 443 (Gage Tubing Accessories)

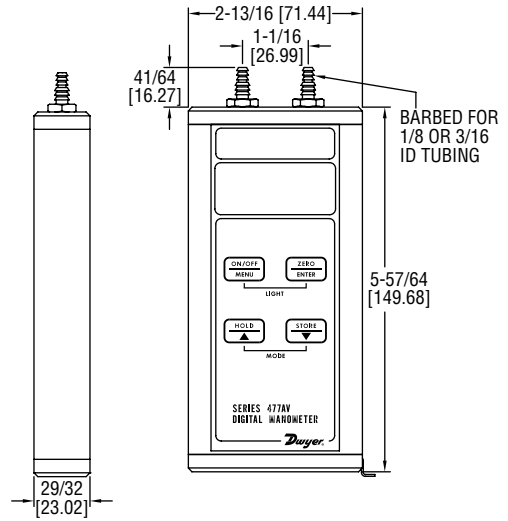


HANDHELD DIGITAL MANOMETER

Measures Pressure, Flow and Velocity; $\pm 0.5\%$ Accuracy



Scan here to watch product video



The **SERIES 477AV** Handheld Digital Manometer is now available with pressure, flow, and velocity measurements along with a number of other convenient features. The built-in air velocity and flow calculations provide accuracy and conserve time and error associated with manual calculations. Also featured on this unit are adjustable zero and span values for calibrating in the field, as well as a damping feature to compensate for the fluctuating of readings.

FEATURES/BENEFITS

- Calculates and displays air velocity and volumetric air flow
- Rugged aluminum case protects instrument from damage during transport/use
- 9 selectable English and metric engineering units
- Large, easy to read display with backlight for use in dark areas
- Stores up to 40 readings with minimum, maximum and average statistics

APPLICATIONS

- Air flow monitoring, when used with a Dwyer® Pitot tube (●)
- Duct static pressure

SPECIFICATIONS

Service: Air and compatible gases.
Wetted Materials: Consult factory.
Accuracy: $\pm 0.5\%$ FS, 60 to 78°F (15.6 to 25.6°C); $\pm 1.5\%$ FS from 32 to 60°F and 78 to 104°F (0 to 15.6°C and 25.6 to 40.0°C).
Pressure Hysteresis: $\pm 0.1\%$ FS.
Pressure Limits: See chart.
Temperature Limits: 0 to 140°F (-17.8 to 60°C).
Compensated Temperature Limits: 32 to 104°F (0 to 40°C).
Storage Temperature Limits: -4 to 176°F (-20 to 80°C).
Display: 0.42" (10.6 mm) 4 digit LCD.
Resolution: See chart.

Units of Pressure: in w.c., ft w.c., in Hg, psi, oz/in², mm w.c., cm w.c., mm Hg, mbar, Pa, kPa, hPa.
Units of Velocity: fpm, fps, mph, m/h, m/s, k/h, knot.
Units of Flow: cfm, m³/h, m³/s.
Power Requirements: 9 V alkaline battery, installed non-functional, user replaceable.
Weight: 10.2 oz (289 g).
Process Connections: Two barbed connections for use with 1/8" (3.18 mm) or 3/16" (4.76 mm) ID tubing. Two compression fittings for use with 1/8" (3.18 mm) ID x 1/4" (6.35 mm) OD tubing for 477AV-7 and 477AV-8 only.
Agency Approvals: CE.

MODEL CHART

Model	Pressure Range	Velocity Range		Available Pressure Units								Maximum Pressure				
		fpm	m/s	psi	in Hg	kPa	in w.c.	mm Hg	mbar	mm w.c.	Pa		ft w.c.	oz/in ²	hPa	cm w.c.
477AV-000	0 to 1.000 in w.c.	4004	20.34	-	0.0736	0.2491	1.000	1.868	2.491	25.40	249.1	0.0833	0.5780	2.491	2.540	5 psig
477AV-00	0 to 4.000 in w.c.	8009	40.69	0.1445	0.2942	0.996	4.000	7.473	9.96	101.6	996	0.3333	2.312	9.964	10.16	5 psig
477AV-0	0 to 10.00 in w.c.	1.266k	64.33	0.3613	0.7355	2.491	10.00	18.68	24.91	254.0	2491	0.8333	5.780	24.91	25.40	5 psig
477AV-1	0 to 20.00 in w.c.	1.791k	90.97	0.7225	1.471	4.982	20.00	37.36	49.82	508.0	4982	1.667	11.56	49.82	50.80	10 psig
477AV-2	0 to 40.00 in w.c.	1.791k	128.7	1.445	2.942	9.96	40.00	74.73	99.6	1016	9964	3.333	23.12	99.64	101.6	10 psig
477AV-3	0 to 200.0 in w.c.	56.63k	287.7	7.225	14.71	49.82	200.0	373.6	498.2	5080	-	16.67	115.6	498.2	508.0	30 psig
477AV-4	0 to 10.00 psi	66.62k	338.4	10.00	20.36	68.95	276.8	517.1	689.5	7031	-	13.07	160.0	689.5	703.1	30 psig
477AV-5	0 to 20.00 psi	94.22k	478.6	20.00	40.72	137.9	553.6	1034	1379	-	-	46.13	320.0	1379	1406	60 psig
477AV-6	0 to 30.00 psi	115.4k	586.2	30.00	61.08	206.9	830.4	1551	2069	-	-	69.20	480.0	2068	2109	60 psig
477AV-7	0 to 100.0 psi	210.7k	1070	100.0	203.6	689.5	2768	5171	6895	-	-	230.7	1600	6895	7031	150 psig
477AV-8	0 to 150.0 psi	258.0k	1311	150.0	305.4	1034	4152	7757	-	-	-	346.0	2400	-	-	200 psig

OPTION

To order add suffix:	Description
-NIST	NIST traceable calibration certificate
Example: 477AV-1-NIST	

ACCESSORIES

Model	Description
A-402A	Carrying case; tough gray nylon pouch protects any Series 477AV Manometer; double zippered for quick and easy access, with a belt loop that snaps closed; 7-1/2"H x 3"W x 2-1/4"D (191 x 76 x 57 mm)
UHH-C1	Soft carrying case
A-47X-BOOT	Protective magnetic rubber boot



A-402A



UHH-C1

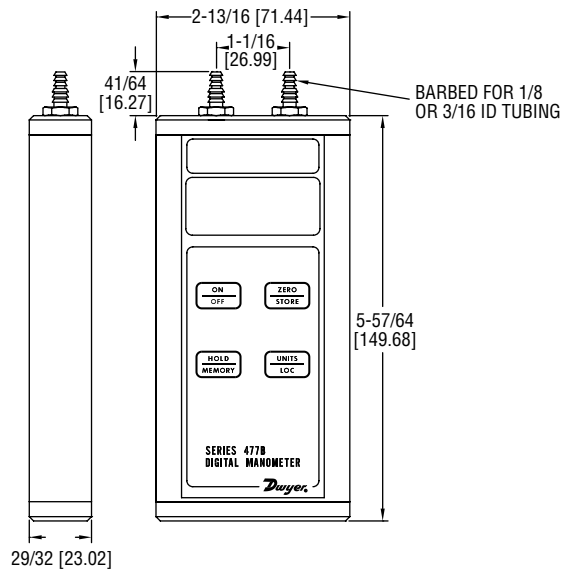


A-47X-BOOT
(Manometer not included)

● Pitot tube: See pages 93-118 (Air Quality section)

HANDHELD DIGITAL MANOMETER

Precise Air Pressure Measurement, $\pm 0.1\%$ Accuracy



The **SERIES 477B** Handheld Digital Manometers are versatile, hand-held, battery operated manometers available in several basic ranges from 0-20 in w.c. up to 100 psi. All models measure either positive, negative or differential pressures with $\pm 0.10\%$ of full scale accuracy. You can select from up to seven common English and metric pressure units so conversions are not necessary. A memory function allows storage of up to 40 readings for later recall and a backlight provides auxiliary lighting for hard-to-see locations. Also standard are a hold feature plus both visual and audible overpressure alarms.

FEATURES/BENEFITS

- Precise 0.1% FS accuracy provides four times better accuracy than most standard manometer/gages
- Aluminum housing protects instrument against damage
- 40 readings in internal memory reduces time to record data

APPLICATIONS

- Lab calibration of other pressure instruments
- Air velocity/air flow measurements in commercial buildings

SPECIFICATIONS

Service: Air and compatible gases.

Wetted Parts: Consult factory.

Accuracy: $\pm 0.10\%$ FS from 60 to 78°F (15.6 to 25.6°C); $\pm 1\%$ FS from 32 to 60 and 78 to 104°F (0 to 15.6 and 25.6 to 40°C).

Pressure Hysteresis: $\pm 0.1\%$ FS.

Pressure Limits: See chart.

Temperature Limits: 0 to 140°F (-17.8 to 60°C).

Storage Temperature Limits: -4 to 176°F (-20 to 80°C).

Display: 4-digit LCD (.425" H x .234" W digits).

Resolution: See chart.

Power Requirements: 9 volt alkaline battery. Battery included but not connected.

Connections: Two barbed connections for use with 1/8" (3.18 mm) or 3/16" (4.76 mm) I.D. tubing for 477B-1, 477B-2, 477B-3, 477B-4 and 477B-5 only. Two compression fittings for use with 1/8" (3.18 mm) I.D. x 1/4" (6.35 mm) O.D. tubing for 477B-6 and 477B-7 only.

Weight: 10.2 oz. (289 g).

Agency Approvals: CE.

MODEL CHART

Model	Range	Available Pressure Units										Maximum Pressure
		bar	psi	in Hg	kPa	in w.c.	mm Hg	mbar	ft w.c.	mm w.c.	Pa	
477B-1	0 to 20.00 in w.c.	.0498	.7225	1.471	4.982	20.00	37.36	49.82	1.667	508.0	4982	3 psig
477B-2	0 to 40.00 in w.c.	.0996	1.445	2.942	9.96	40.00	74.73	99.6	3.333	1016	9964	3 psig
477B-3	0 to 200.0 in w.c.	.4982	7.225	14.71	49.82	200.0	373.6	498.2	16.67	5080	-	15 psig
477B-4	0 to 10.00 psi	.6895	10.00	20.36	68.95	276.8	517.1	689.5	23.07	7031	-	30 psig
477B-5	0 to 30.00 psi	2.069	30.00	61.08	206.9	830.4	1551	2069	69.20	-	-	60 psig
477B-6	0 to 50.00 psi	3.447	50.00	101.8	344.7	1384	2585	3447	115.3	-	-	100 psig
477B-7	0 to 100.0 psi	6.895	100.0	203.6	689.5	2768	5171	6895	230.7	-	-	200 psig

OPTION

To order add suffix:	Description
-NIST	NIST traceable calibration certificate
Example: 477B-1-NIST	

ACCESSORIES

Model	Description
A-402A	Carrying case; tough gray nylon pouch protects any Series 477B Manometer; double zippered for quick and easy access, with a belt loop that snaps closed; 7-1/2"H x 3"W x 2-1/4"D (191 x 76 x 57 mm)
UHH-C1	Soft carrying case
A-47X-BOOT	Protective magnetic rubber boot



A-402A



UHH-C1

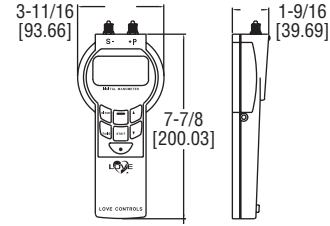


A-47X-BOOT
(Manometer not included)



PRECISION DIGITAL PRESSURE MANOMETER

Up to 0.05% Accuracy, Graphical Display, Data Logging Capability



The **SERIES HM35** Precision Digital Pressure Manometer is designed to reliably measure and log absolute pressure, differential pressure, or gage pressure with up to 0.05% accuracy. The data logging function can store up to 10,742 readings and transmit the readings to a PC through an IR serial port. The large display can graphically display trends in the data as well as peaks and valleys.

FEATURES/BENEFITS

- Able to record up to 10,742 readings, which can be downloaded to a PC
- Up to 0.05% accuracy for use in critical applications
- Measure absolute, differential, or gage pressure

APPLICATIONS

- Calibration facilities
- Laboratories

MODEL CHART - ERROR LIMIT 0.2% FS FOR GAGE, VACUUM, AND DIFFERENTIAL PRESSURE		
Model	Range	Over Pressure
HM3531DLB300	0 to 10 in w.c. (0-2.5 kPa)	50 in w.c.
HM3531DLC300	0 to 28 in w.c. (0-7 kPa)	140 in w.c.
HM3531DLE300	0 to 80 in w.c. (0-20 kPa)	600 in w.c.
HM3531DLF300	0 to 120 in w.c. (0-30 kPa)	600 in w.c.
HM3531DLG300	0 to 200 in w.c. (0-50 kPa)	58 psi
HM3531DLH300	0 to 14.5 psi (0-100 kPa)	58 psi

Note: For higher accuracy models, change the 10th digit from a 3 to a 1 (0.05% FS), 2 (0.1% FS), or 6 (0.1% of reading); higher accuracies are only available on 0 to 28 in of w.c. range or higher.

Example: HM3531DLC100 (0 to 28 in w.c. with 0.05% accuracy); consult factory for pricing.

SPECIFICATIONS

Service: Air and compatible gases.
Wetted Materials: 18/8 stainless steel.
Accuracy: (Includes linearity, hysteresis, and repeatability): Depending on model; $\pm 0.20\%$ FS ± 1 digit; $\pm 0.10\%$ FS ± 1 digit; $\pm 0.05\%$ FS ± 1 digit.
Temperature Limits: 32 to 122°F (0 to 50°C).
Storage Temperature: -4 to 140°F (-20 to 60°C).
Humidity: Maximum 95% RH non-condensing.
Display: Graphical back lit LCD. 128 x 64 points.
Power Requirements: (3) 1.5 V AA alkaline batteries, installed functional, user replaceable. Can operate on 6 to 9 VDC external power.
Current Consumption: 25 mA without back lit display, IR, or buzzer.
Memory: 10,742 readings. Recording intervals adjustable from 1 s to 24 hrs or manual.
Case Protection: IP54 (NEMA 3).
Weight: 10.5 oz (300 g).
Process Connections: Hose 4/6 mm or 1/8" NPT.
Agency Approvals: CE.

ACCESSORIES

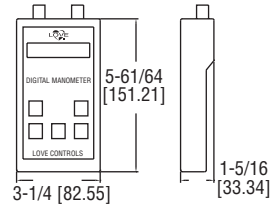
Model	Description
HM28-0	1/8" NPT adapter (1 piece)
HM35-1	Communication software
HM35-2	Infrared RS-232 serial adapter, required to download stored data to a PC
HM35-3	External power converter with U.S. plug adapter, input 100 to 240 VAC, 50/60 Hz

OPTION

Use order code:	Description
NISTCAL-MD	NIST traceable calibration certificate

PRECISION HANDHELD DIGITAL MANOMETER

High Accuracy (0.2%, 0.1% or 0.05%), Differential, Gage or Absolute



The **SERIES HM28** Precision Handheld Digital Manometer is designed to measure a wide range of pressures with up to 0.05% accuracy. The data logging function can store up to 964 readings and transmit the readings to a PC through an IR serial report. The dual line LCD is able to display a resolution to 0.001 of the selected unit and indicate peaks and valleys.

FEATURES/BENEFITS

- Measures differential, gage, or absolute pressure
- Able to record up to 964 readings, which can be downloaded to a PC
- Up to 0.05% accuracy

APPLICATIONS

- Calibration facilities
- Laboratories

MODEL CHART	
Model	Features
Error limit 0.2% FS for gage, underpressure and differential pressure	
HM28D3B10000	0 to 10 in w.c. (2.5 kPa)
HM28D3C10000	0 to 28 in w.c. (7 kPa)
HM28D3F10000	0 to 120 in w.c. (30 kPa)
Error limit 0.05% FS for gage, underpressure and differential pressure	
HM28D3C30000	0 to 28 in w.c. (7 kPa)
HM28D3F30000	0 to 120 in w.c. (30 kPa)
HM28D3K30000	0 to 100 psi (700 kPa)
For absolute pressure	
HM28A3110000	0 to 15.9 psia (0.2% FS (110 kPa abs))

Note: Consult factory for 0.10% models.

SPECIFICATIONS

Service: Air and compatible gases.
Wetted Materials: 18/8 stainless steel.
Accuracy: (Includes linearity, hysteresis, and repeatability): per order code. $\pm 0.20\%$ FS ± 1 digit; $\pm 0.10\%$ FS ± 1 digit; $\pm 0.05\%$ FS ± 1 digit.
Temperature Limits: 23 to 122°F (-5 to 50°C).
Storage Temperature: -4 to 140°F (-20 to 60°C).
Humidity: 30 to 95% rH, non-condensing.
Display: 2 line, 16 character, dot matrix LCD, with switchable display sizes.
Power Requirements: 9 V alkaline battery, installed functional, user replaceable. Can operate from external power supply of 7 to 14 VDC.
Current Consumption: < 9 mA.
Memory: 964 measured values. Recording intervals adjustable from manual, 1, 5, 10, 20, 30 seconds, 1, 2, 3, 5, 10, 30, 60 minutes.
Case Protection: IP54 (NEMA 3).
Case Dimensions: 6" x 3.27" x 1.34" (152 x 83 x 34 mm).
Weight: 9.5 oz (270 g).
Process Connections: Hose; 4/6 mm or 1/8" NPT.
Maximum Measurement Rates: Stand alone: 2-1/2 readings/s (0.1% and 0.05% ratings), 5 readings/s (0.2% rating). Output to RS-232: 20 measurements/s (0.2% rating), 10 measurements/s (0.1% and 0.05% ratings).
RS-232 Baud Rate: Adjustable, 1200, 2400, 4800, or 9600 baud.
Agency Approvals: CE.

ACCESSORIES

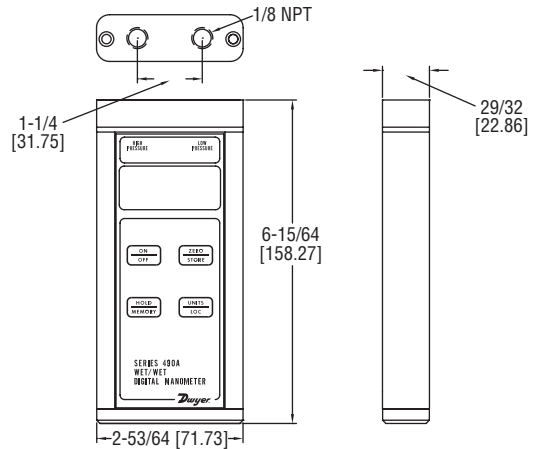
Model	Description
HM28-0	1/8" NPT adapter (1 piece)
HM28-1	Communication software & cable
HM28-2	Universal power adapter

OPTION

Use order code:	Description
NISTCAL-MD	NIST traceable calibration certificate

WET/WET HANDHELD DIGITAL MANOMETER

Liquid & Gas Pressure Measurement, $\pm 0.5\%$ FS Accuracy



The **SERIES 490A** Digital Manometers are versatile, hand-held, battery operated manometers available in several basic ranges for positive or positive differential pressure measurement and can tolerate most liquid media compatible with 316LSS. A new feature added to the Series 490A is a field adjustable damping, which allows the user to choose the level of display averaging rate corresponding to the fluctuation level common in many applications.

FEATURES/BENEFITS

- Up to 0.5% accuracy
- Seven user-selectable English and metric units
- Stores up to 40 readings for later recall
- Backlight for use in dim areas

APPLICATIONS

- Chiller to coils for freeze protection
- HEPA filters to determine when a filter needs to be changed
- Measure pressure drop across pumps
- Valves to determine valve position

SPECIFICATIONS

Service: Compatible gases & liquids.
Wetted Materials: Without valve: 316L SS; Additional wetted parts with 3-way valve option: Buna-N, silicone grease, PTFE, brass 360, copper, reinforced acetal copolymer.
Accuracy: $\pm 0.5\%$ FS, 60 to 78°F (15.6 to 25.6°C); $\pm 1.5\%$ FS from 32 to 60°F and 78 to 104°F (0 to 15.6°C and 25.6 to 40°C).
Pressure Hysteresis: $\pm 0.1\%$ FS.
Pressure Limits: See chart.

Temperature Limits: 32 to 140°F (0 to 60°C).
Storage Temperature Limits: -4 to 176°F (-20 to 80°C).
Display: 0.42" (10.6 mm) 4 digit LCD.
Resolution: See chart.
Power Requirements: 9 V alkaline battery, installed non-functional, user replaceable.
Weight: 14.1 oz (400 g).
Process Connections: Two 1/8" (3.18 mm) female NPT.
Agency Approvals: CE.

MODEL CHART										
Model	Range psi	Available Pressure Units								Maximum Pressure
		bar	psi	in Hg	kPa	in w.c.	mm Hg	mbar	ft w.c.	
490A-1	0 to 15.00	1.034	15.00	30.54	103.4	415.2	775.7	1034	34.60	30 psig
490A-2	0 to 30.00	2.069	30.00	61.08	206.9	830.4	1551	2069	69.20	60 psig
490A-3	0 to 50.00	3.447	50.00	101.8	344.7	1384	2585	3447	115.3	100 psig
490A-4	0 to 100.0	6.895	100.0	203.6	689.5	2768	5171	6895	230.7	200 psig
490A-5	0 to 500.0	34.47	500.0	1018	3447	-	-	-	1153	1000 psig
490A-6	0 to 200.0	13.79	200.0	407.2	1379	5536	-	-	461.3	400 psig

OPTION	
To order add suffix:	Description
-NIST	NIST traceable calibration certificate
Example: 490A-1-NIST	
-3V	3-way vent valve with bleed screw rated up to 100 psi
Example: 490A-1-3V	



-3V Option
3-Way Vent Valve

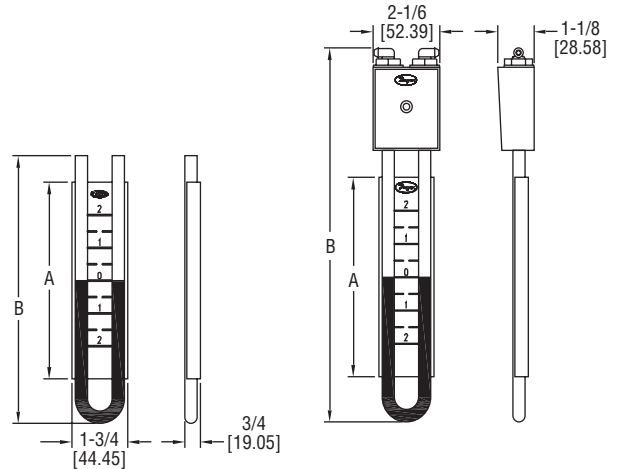
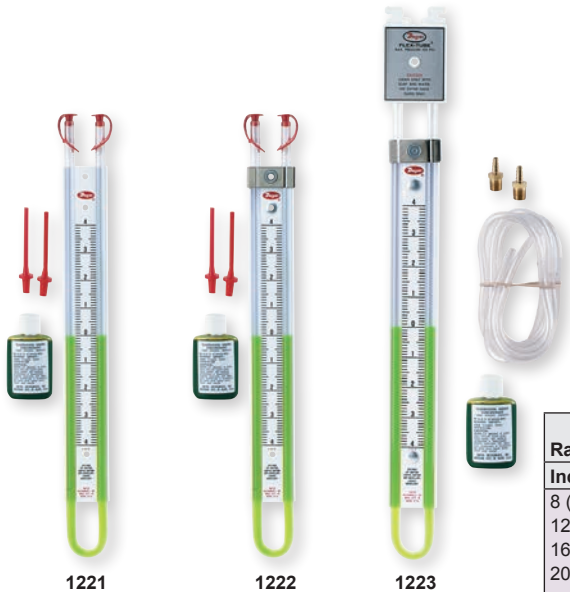
ACCESSORY	
Model	Description
A-402A	Carrying case, tough gray nylon pouch protects any Series 490A manometer, double zippered for quick and easy access, belt loop that snaps closed, 7-1/2"H x 3"W x 2-1/4"D (191 x 76 x 57 mm)
A-47X-BOOT	Protective magnetic rubber boot



A-47X-BOOT
(Manometer not included)



FLEX-TUBE® U-TUBE MANOMETERS



Range		Hg Required to Fill		1221, 2 & 3 Scale Length "A"		1221 & 2 O.A. Length "B"		1223 O.A. Length "B"	
Inches H ₂ O	Millimeters H ₂ O	Grams	Ounces	W/M	D	W/M	D	W/M	D
8 (4-0-4)	M200 (100-0-100)	178.5	6.3	12-1/4	14	15-1/4	17	18-1/2	19-7/8
12 (6-0-6)	M300 (150-0-150)	225.5	7.9	16-1/4	18-7/8	19-1/4	21-3/4	21-1/8	24-5/8
16 (8-0-8)	M400 (200-0-200)	269	9.5	20-3/8	23-5/8	23-1/4	26-1/2	26-1/8	30-3/8
20 (10-0-10)	-	314.5	11.1	24-1/4	28-1/2	27-1/4	31-1/2	30-1/8	34-3/8
-	M600 (300-0-300)	353.1	12.4	27-7/8	32-7/8	30-3/4	35-3/4	33-5/8	38-5/8
24 (12-0-12)	-	379.7	13.4	28-1/4	33-3/8	31-1/2	36-1/4	33-3/8	39-1/8
36 (18-0-18)	-	491.1	17.3	40-1/4	47-7/8	43-1/4	50-3/4	46-1/8	53-5/8
-	M1000 (500-0-500)	526.6	18.5	43-5/8	52	46-1/2	55	49-3/8	57-7/8

Note: Not recommended for vacuum service above 5 in. Hg (68 in w.c.).

The **SERIES 1221/1222/1223** Flex-Tube® U-Tube Manometer combines the inherent accuracy of the "U" Tube with the durability of tough, long-lasting plastic construction. The columns are made of 0.375" O.D. flexible and shatterproof clear butyrate tubing and are backed by a white scale channel to provide maximum color contrast. These manometers are ideal wherever a portable, direct reading manometer is needed.

FEATURES/BENEFITS

- Suitable for total pressures up to 100 psi
- High contrast scale for better precision when measuring

APPLICATIONS

- Duct static pressure
- Calibration labs
- Filter monitoring

SERIES 1221 MANOMETER, Our simplest, lowest cost basic U-gage. A dependable U-tube manometer that withstands hard use and provides accurate, high visibility readings. For use with water, mercury or red gage fluid. For mercury filled manometers, a scale clamp bar, Dwyer® Part No. A-363 (available as an extra for Series 1221 — and standard on Series 1222) is recommended. One pair of carrying plugs and a pair of non-kink vinyl tube connectors are included with each manometer.

SERIES 1222 MANOMETER, All the features of the 1221 plus magnetic clips for mounting to any vertical steel surface, and clamp bar to insure against U-tube slipping. (Especially recommended for manometers used with mercury.) Both magnets are easily removed and replaced at the user's convenience.

SERIES 1223 MANOMETER, Our finest U-gage — for either portable or stationary use. Safety traps prevent loss of indicating fluid in case of accidental over-pressure. Tubing is permanently bonded to a molded, high impact acrylic plastic top that contains safety traps. Large magnetic clips and clamp bar are provided. Standard type "a" connections include two rapid shut-off type molded nylon tubing connections, two 3-foot lengths of flexible Tygon® plastic tubing, and two 1/8" pipe thread to tube adapters.

Manometers, Portable

MODEL CHART			
Model	Model	Model	Ranges
1221-8-W/M	1222-8-W/M	1223-8-W/M	8 (4-0-4) in w.c.
1221-12-W/M	1222-12-W/M	1223-12-W/M	12 (6-0-6) in w.c.
1221-16-W/M	1222-16-W/M	1223-16-W/M	16 (8-0-8) in w.c.
1221-20-W/M	1222-20-W/M	1223-20-W/M	20 (10-0-10) in w.c.
1221-24-W/M	1222-24-W/M	1223-24-W/M	24 (12-0-12) in w.c.
1221-36-W/M	1222-36-W/M	1223-36-W/M	36 (18-0-18) in w.c.
1221-M200-W/M	1222-M200-W/M	1223-M200-W/M	M200 (100-0-100) mm w.c.
1221-M300-W/M	1222-M300-W/M	1223-M300-W/M	M300 (150-0-150) mm w.c.
1221-M400-W/M	1222-M400-W/M	1223-M400-W/M	M400 (200-0-200) mm w.c.
1221-M600-W/M	1222-M600-W/M	1223-M600-W/M	M600 (300-0-300) mm w.c.
1221-M1000-W/M	1222-M1000-W/M	1223-M1000-W/M	M1000 (500-0-500) mm w.c.

Note: To order models with red gage fluid change -W/M to -D.

ACCESSORIES - STANDARD	
Model	Description
1221	2 plastic carrying plugs; 2 flexible plastic tubing connectors for attachment of 3/16" rubber or plastic tubing without kinking. 1 ounce bottle .826 sp. gr. red gage fluid furnished for "D" style manometers. Fluorescein green dye concentrate furnished with "W/M" style manometers.
1222	2 magnetic mounting clips; tube clamp; 2 plastic carrying plugs and 2 flexible plastic tubing connectors for attachment of 3/16" rubber or plastic tubing without kinking. 1 ounce bottle .826 sp. gr. red gage fluid furnished for "D" style manometers. Fluorescein green dye concentrate furnished with "W/M" style manometers.
1223	Magnetic mounting clips; tube clamp and Type "a" connections consisting of two rapid shut off molded nylon tubing connectors; two 1/8" pipe thread to tube adapters; two 3-foot lengths of Tygon® plastic tubing, 1 ounce bottle .826 sp. gr. red gage fluid is furnished for "D" style manometers; fluorescein green dye concentrate with "W/M" style.

OPTION	
To order add suffix:	Description
-NIST	NIST traceable calibration certificate
Example: 1230-8-W/M-NIST	

Tygon® is a registered trademark of Saint-Gobain Performance Corporation

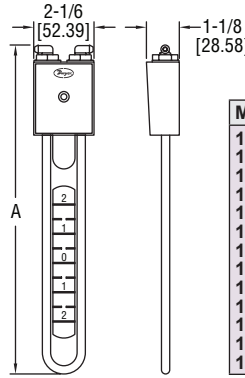
SLACK TUBE® MANOMETERS



Slack Tube® Manometer
rolled up for easy
handling and storage



1212
Gas Pressure Kit



Model	Dimension "A"
1211-8	16-3/4 [425.45]
1211-12	20-3/4 [527.05]
1211-16	24-3/4 [628.65]
1211-24	32-3/4 [831.85]
1211-30	38-3/4 [984.25]
1211-36	44-3/4 [1136.65]
1211-48	56-3/4 [1441.45]
1211-60	68-3/4 [1746.25]
1211-72	80-3/4 [2051.05]
1211-120	128-3/4 [3270.25]
1211-50	28-3/4 [730.25]
1211-100	48-3/4 [1238.25]
1211-200	87-3/4 [2228.85]

The **SERIES 1211** Slack Tube® Manometer is as accurate as the finest laboratory "U" gages, but is designed to roll up compactly for easy carrying. These manometers cover a wide range of pressure readings from 4-0-4 inches up to 60-0-60 inches. The Model 1212 Gas Pressure Kit in comes supplied with a 1211-16 Slack Tube® Manometer, carrying case, necessary tubing, and connection fittings for checking gas pressures in virtually all gas appliances.

FEATURES/BENEFITS

- Rolls up for easy storage and transport
- Over pressure safety traps to prevent loss of fluid due to over range pressures or surges in pressure

APPLICATIONS

- Filter monitoring
- Duct static pressure for setting damper position

INCLUDED WITH THE 1212 KIT

Description

(1) #1211-16 Slack Tube® Manometer, reads pressure to 16" water*, (1) Carrying case, plastic, 8-1/2" x 7" x 3-1/8", (1) 1 oz. bottle Fluorescein green color concentrate with wetting agent, (2) 1/8" pipe thread rubber tubing adapters, (1) 1/8" to 1/4" pipe thread bushing, (1) 3' L 3/16" rubber tubing, (1) Rubber tubing adapter to fit standard 7/16" dia. spud.

*Other ranges available.

MODEL CHART

Model	Range, In.	Hg Req'd (oz.)	Metric Model	Range, CM	Hg Req'd (oz.)
1211-8	4 to 0 to 4	6	1211-50	25 to 0 to 25	11
1211-12	6 to 0 to 6	7	1211-100	50 to 0 to 50	18-1/2
1211-16	8 to 0 to 8	9	1211-200	100 to 0 to 100	35
1211-24	12 to 0 to 12	12-1/2			
1211-30	15 to 0 to 15	15			
1211-36	18 to 0 to 18	17-1/2			
1211-48	24 to 0 to 24	22-1/2			
1211-60	30 to 0 to 30	27			
1211-72	36 to 0 to 36	32			
1211-120	60 to 0 to 60	57			

MODEL CHART

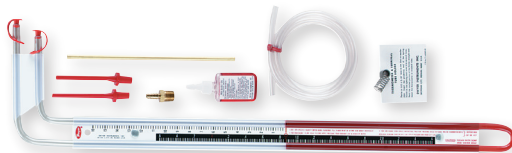
Model	Description
1212	Gas pressure kit

ACCESSORIES - STANDARD

Description

Plastic case, magnetic mounting clips, two rapid shutoff type molded nylon rubber tubing connectors and one bottle of fluorescein green color concentrate with wetting agent.

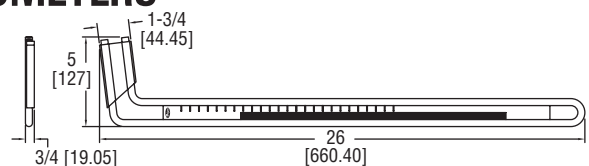
DUAL RANGE FLEX-TUBE® U-INCLINED MANOMETERS



1227 Dual Range



1227
Mounted in Incline Position



As Vertical U-Tube Manometer	As Inclined Manometer
0-16" water with 1" major divisions, .2" minor divisions	Scale is 17" long, reading .20-0-2.6" water with .02" minor divisions
Model 1227M (metric) is 0-400 mm water column	Model 1227M (metric) is -5 to 0 to 70 mm water column

The **SERIES 1227** Dual Range Flex-Tube® U-Inclined Manometer is a versatile, low cost manometer that can be used to read high-range pressure on the right leg or as an inclined manometer to read low-range pressure on the bottom leg. It is made of a sturdy, clear plastic and offers direct readings as a U-tube or an inclined gage. Magnetic clips are attached to the unit to hold it in position on any steel duct surface and instructions are conveniently printed directly on the scale.

FEATURES/BENEFITS

- Reads 0 to 16 in w.c. as a U-tube and -0.20 to 0 to 2.6 in w.c. as an inclined gage
- Clear, shatterproof indicating tube provides overpressure protection
- Black markings on a stark white scale for positive definition

APPLICATIONS

- Fan status
- Filter monitoring

MODEL CHART

Model	Description
1227	English units
1227M	Metric units

ACCESSORIES - STANDARD

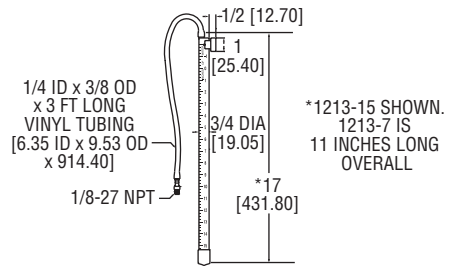
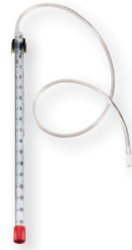
Description

Two plastic carrying plugs with retainers for use when manometer is not in service. Two magnetic clips to hold instrument to metal surface. Flexible red vinyl plastic tubing connectors. Brass terminal tube 1/4" diameter x 8" long. One terminal tube holder. Brass adapter, 1/8" pipe thread to plastic tubing. One 4-1/2" length of Tygon® plastic tubing. One 1 ounce .826 sp. gr. red gage fluid. Vinyl carrying case.



GAS PRESSURE MANOMETER

The "Tube in a Tube" Direct Reading Manometer



The **SERIES 1213** Gas Pressure Manometer provides visual indication of pressure of natural gas up to 15 in w.c. Tap water is used as the sensing media and a magnetic clip provides temporary or permanent mounting. The 1213 is made of a durable plastic for years of trouble-free service, and includes 3' of vinyl tubing and 1/8" nylon male NPT to barb fitting.

FEATURES/BENEFITS

- Used to monitor any compatible gas up to 15 in w.c.
- Durable plastic housing for long term use
- Economically priced

APPLICATIONS

- Combustion supply gas monitoring

SPECIFICATIONS

Temperature Limit: 140°F (60°C) maximum.
Pressure Limits: 15 in w.c. (381 mm).
Piping Connections: 1/8" male NPT connector provided.
Wetted Materials: Vinyl, PVC and nylon.
Weight: 5 oz (142 g).

MODEL CHART

Model	Length (mm)
1213-15	7" (177.8)

MOLDED PLASTIC AIR VELOCITY METERS

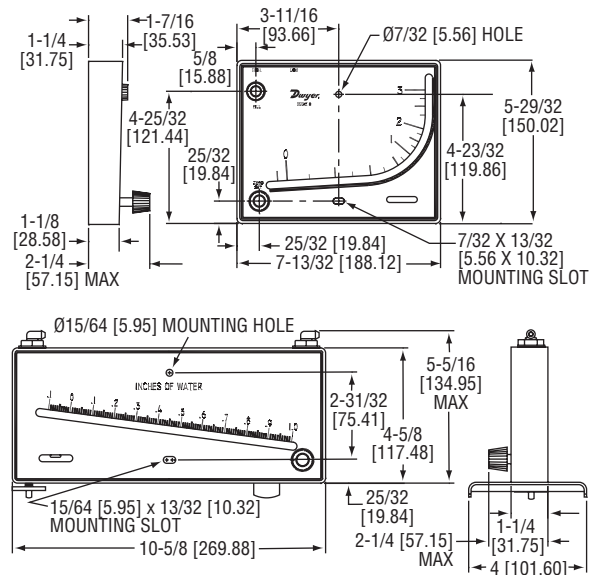
Low in Cost, Direct Reading Scales Offer 3% Accuracy, For Portable or Stationary Applications



27



40-AV – Shown with standard swing-out stand and leveling screw installed.



The **SERIES MARK II** Air Velocity Gage Kits offer the accuracy and durability of our Mark II manometers with direct air velocity readings. They are designed to be used with Dwyer's Series 160 line of Pitot tubes (not included).

FEATURES/BENEFITS

- Thick white styrene-acrylonitrile housing is virtually indestructible
- Moderate overpressures are accommodated by an overflow tank (Model 25) or float operated overflow traps (Model 40)
- Able to be mounted on any vertical surface

APPLICATIONS

- Measure air velocity in ducts

MODEL CHART

Model	Range
Mark II 27	0 to 7000 FPM
Mark II 28	0 to 10500 FPM
Mark II 40-250 Pa-AV	0 to 21 MPS

Note: Pitot tube not included with models above.

ACCESSORY

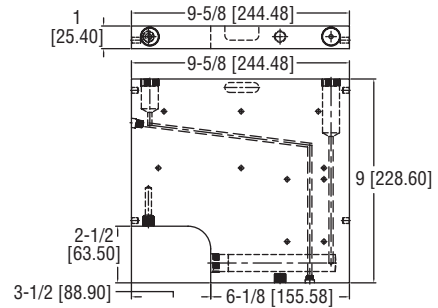
Model	Description
A-612	Portable stand (for models 27, 28)

OEM SPECIALS

All models of the Dwyer® Mark II molded plastic air velocity meters can be supplied with your logo or special scale in OEM quantities. Consult factory for details. See also our Digital Manometers and Pitot tubes.



AIR VELOCITY METERS



The **SERIES 400** Air Velocity Meter offers the convenience of a dual purpose instrument with high accuracy and easy-to-read scales. It can be used to balance air conditioning systems, measure pressure drop across filters, and test fan and blower discharge and inlet pressures. Series 400 kits include a manometer, Pitot tube, necessary tubing and connectors, red gage fluid, and carrying case.

FEATURES/BENEFITS

- Red figures display velocity in FPM and black figures display air pressure in inch w.c.
- No conversion tables needed for air at standard conditions
- Available with Pitot tubes and carrying case

APPLICATIONS

- Air balancing
- Building commissioning

MODEL CHART - WITH COMBINATION INCLINED/VERTICAL SCALES*

Model	Range in w.c.	Velocity FPM	Minor Div.; Range in w.c.		Pitot Tube
			Inclined	Vertical	
400-10-Kit	0 to 10	400 to 12600	.01, 0 to 1.0	.10, 1-10	18 in
400-10-Gage	0 to 10	400 to 12600	.01, 0 to 1.0	.10, 1-10	None

*Rated for total pressures to 100 psig (6.89 bar); temperatures to 150°F (65°C)



Complete Kit, Model 400-10

Size**: 11-1/2"H x 20-1/4"W x 1-1/2"D
Weight: Only 13-1/4 lb with equipment

**Contact factory for extra long steel cases for use with longer Pitot tubes

AIR METER/DRAFT GAUGE

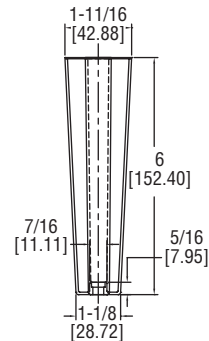
A Low-Cost, Direct Reading Instrument Used for Air Velocity & Static Pressure Tests



Furnace draft



Grille velocities



The **MODEL 460** Air Meter is popular for servicing HVAC equipment because of its consistent, accurate results. The direct reading velocity and static pressure scales show supply and return grille velocities, furnace draft, and pressure drop across filters. The 460 is made of a rugged plastic for daily use.

FEATURES/BENEFITS

- High and low range velocity in one unit
- Simple and quick operation with highly accurate results
- Compact housing for easy portability

APPLICATIONS

- Measuring grille velocities, furnace draft, and pressure drop across filters

MODEL CHART

Model	Description
460	Air meter, complete kit



A Complete Pocket-Size Kit

Includes air meter, return and supply grille probes, angle connector, cleaning materials, instruction card, air velocity calculator and carrying case.

ACCESSORIES	
Model	Description
A-378	Tube of 3 replacement floats
A-379	Supply grille probe
A-380	Return grille probe
A-381	Cleaning kit including 1 anti-static chemically treated pipe stem cleaner and nylon high range orifice cleaner



AIR VELOCITY KITS

Digital Manometer and Pitot Tube for Balancing System Air Flows



475-XX-FM-AV



475-XXT-FM-AV



477AV-XXXT-AV

Convenient all-in-one **SERIES 475-AV & 477-AV KITS** that are small, light and easy to use. No set-up or leveling needed. An indispensable test kit for the plant engineer, and HVAC technician that must balance system air flows at start-up.

THE SERIES 475-XX-FM-AV KIT INCLUDES:

- Series 475 digital manometer
($\pm 0.5\%$ FS accuracy and minor divisions to 0.01, large 1/2" LCD readout is easy to see in poorly lighted areas and has "low battery" warning)
- Model 166-6-CF, 6" SS pitot tube with integral compression fitting to hold it securely when taking readings
- Two no. A-303 static pressure tips with magnetic mounting
- Two 9' lengths 3/16" ID rubber tubing
- No. A-397 step drill for 3/16"-1/2" holes in 1/16" increments
- No. A-532 AV slide chart
- 9 V battery
- Fitted polyethylene case

THE SERIES 475-XXT-FM-AV KIT INCLUDES:

- Series 475 digital manometer
($\pm 0.5\%$ FS accuracy and minor divisions to 0.01, large 1/2" LCD readout is easy to see in poorly lighted areas and has "low battery" warning)
- Model 166T, 36" telescoping SS pitot tube, fully adjustable from 11.5" to 36" (29.2 to 91.4 cm)
- Two no. A-303 static pressure tips with magnetic mounting
- Two 4-1/2' L 3/16" ID rubber tubing
- No. A-397 step drill for 3/16"-1/2" holes in 1/16" increments
- No. A-532 AV slide chart
- 9 V alkaline battery
- Fitted polyethylene case

THE SERIES 477AV-XXXT-AV KIT INCLUDES:

- Series 477AV digital manometer
($\pm 0.5\%$ FS accuracy, calculates air velocity or volumetric air flow, stores up to 40 readings in memory, instantly selecting up to nine English/Metric pressure units, large, backlit 0.4" LCD readout, both audible and visual overpressure alarms and a "low battery" warning are standard features)
- Model 166T, 36" telescoping SS pitot tube, fully adjustable from 11.5" to 36" (29.2 to 91.4 cm)
- Two no. A-303 static pressure tips with magnetic mounting
- Two 4-1/2' L 3/16" ID rubber tubing
- No. A-397 step drill for 3/16"-1/2" holes in 1/16" increments
- No. A-532 AV slide chart
- 9 V alkaline battery
- Fitted polyethylene case

MODEL CHART - 475-XX-FM-AV

Model	Range
475-00-FM-AV	0-4.000 in w.c.
475-0-FM-AV	0-10.00 in w.c.
475-1-FM-AV	0-20.00 in w.c.
475-2-FM-AV	0-40.00 in w.c.

MODEL CHART - 475-XXT-FM-AV

Model	Range
475-00T-FM-AV	0-4.000 in w.c.
475-0T-FM-AV	0-10.00 in w.c.
475-1T-FM-AV	0-20.00 in w.c.

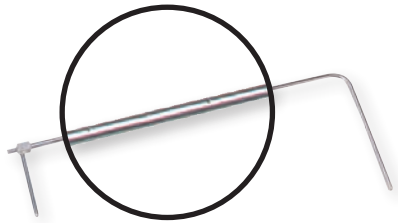
MODEL CHART - 477AV-XXXT-AV

Model	Range
477AV-000T-AV	0-1.000 in w.c.
477AV-00T-AV	0-4.000 in w.c.
477AV-0T-AV	0-10.00 in w.c.
477AV-1T-AV	0-20.00 in w.c.

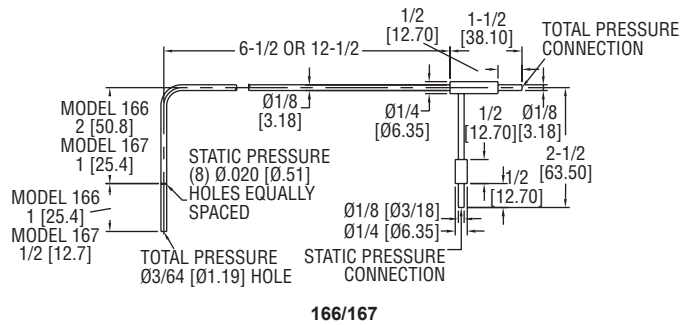
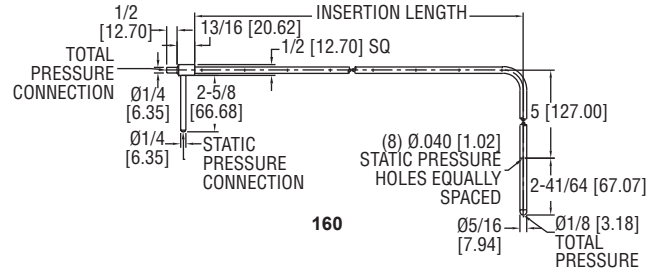
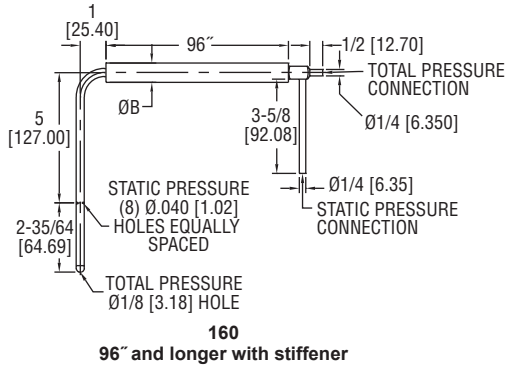


STAINLESS STEEL PITOT TUBES

ASME Design Meets AMCA and ASHRAE Codes



Standard Model 160 Pitot Tube



The **SERIES 160** Stainless Steel Pitot Tube is constructed from corrosion resistant stainless steel with permanently etched insertion depth graduations for a lifetime of service. The static pressure port is parallel to the sensing tube to allow quick, easy alignment of the tube with air flow. A universal model fits the user supplied 3/4" schedule 40 pipe in any length.

FEATURES/BENEFITS

- Low sensitivity to misalignment up to 15 degrees
- No calibration needed due to ASHRAE tip design
- Silver soldered connections for leak-proof operation
- 5/16" models rated to 1500°F (815.5°C)

APPLICATIONS

- Monitor or control air velocity or air flow when combined with differential pressure gage, switch, or transmitter

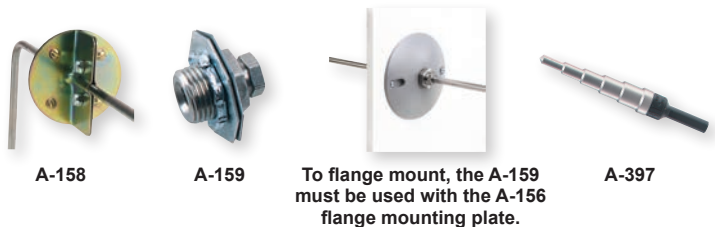


Download the Dwyer Air Velocity Calculator App for iOS® or Android® devices

MODEL CHART			
Standard 5/16" Diameter Model	Insertion Length	Longer Length with Stiffener Model	Insertion Length
160-8	8-5/8"	160-96	96"
160-12	12-5/8"	Pocket Size 1/8" Diameter Model	Insertion Length
160-18	18-5/8"		
160-24	24-5/8"		
160-36	36-5/8"	166-6	6"
160-48	48-5/8"	166-12	12"
160-60	60-5/8"	167-6	6"
		167-12	12"
Model	Description		
160-KIT	Kit containing 160-18, 160-24, 160-36, 160-48, and carrying case		

OPTION	
To order add suffix:	Description
-CF	1/8" male NPT compression fitting, mounting option for Series 166/167
Example: 166-6-CF	

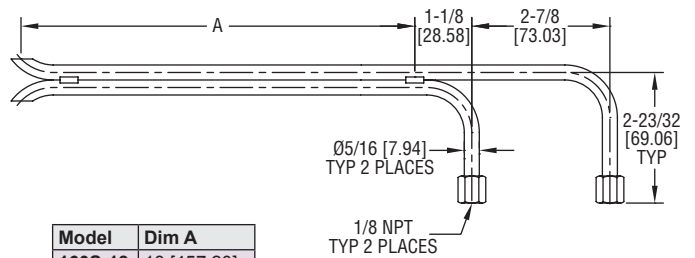
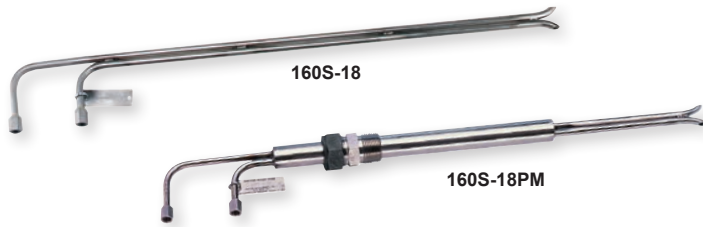
ACCESSORIES	
Model	Description
A-156	Flange mounting plate 1/2" female NPT Split flange mounting. Can be added to any Dwyer® No. 160 standard pitot tube. Cadmium plated steel. Gasket is pattern for mounting holes. Secure flange loosely to tube, adjust tube depth and tighten screws. Gasket of 1/16" Neoprene fits tightly around tube and against duct for leak-proof seal. Nuts, washers included.
A-158	
A-159	Mounting gland. Versatile adapter slips on any Series 160, 5/16" standard pitot tube made after Dec. 1990. Two-part stainless steel fitting slides over tube and provides permanent, secure mounting. Where duct interior is accessible, use the washers and jam nut supplied. For blind applications or in thicker materials, use model A-156 flange mounting plate. Once tube is adjusted to proper depth and angle, tighten smaller hex bushing to lock position. Graphite bushing inside assures leak-proof seal even at higher temperatures. TFE bushing also available. Note: For full insertion with this fitting, order next longer pitot tube. A-159 mounting gland is used for both duct mounting and flange mounting.
A-160-CASE A-397	Carrying case for pitot tubes up to 48" Step drill. For fast, convenient installation of pitot tubes in sheet metal ducts. No center punch needed; automatic de-burring. Drills six sizes from 3/16"-1/2" in 1/16" increments.





"S" TYPE STAINLESS STEEL PITOT TUBES

Large, Open Tip Design Resists Fouling; Optional Permanent Mount Models



Model	Dim A
160S-18	18 [457.20]
160S-24	24 [609.60]
160S-36	36 [914.40]
160S-48	48 [1219.20]
160S-60	60 [1524.00]



Scan here
to watch
product video

The **SERIES 160S** "S" Type Stainless Steel Pitot Tube is designed specifically for flow measurement of dirty, particulate laden air or gas streams typical in smoke stack and other environmental testing. Total and static pressure tubes are precisely aligned and welded together every 6 inches for maximum accuracy, strength, and long term durability. Permanent mount (PM) models include a 1" welded stainless steel sleeve and adjustable compression fitting with 1" MNPT mounting threads.

FEATURES/BENEFITS

- Large 5/16" stainless steel tubing resists plugging under harsh conditions
- 1/8" FNPT connections are permanently welded to unit
- Able to be used in up to 1500°F (815.5°C) and 100 psig (6.89 bar)

APPLICATIONS

- Monitor or control air velocity or air flow in particulate laden air streams

MODEL CHART

Model	Insertion in Inches	Perm. Mtg. Model	Insertion in Inches
160S-18	18	160S-18PM	18
160S-24	24	160S-24PM	24
160S-36	36	160S-36PM	36
160S-48	48		
160S-60	60		
160S-72	72		

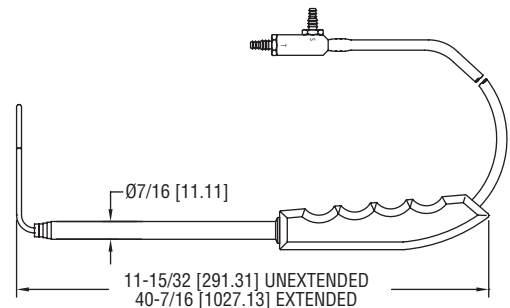
Note: Permanent Mounting (PM) models include 1 inch dia. welded stainless steel sleeve and adjustable compression fitting with 1 inch male NPT mounting threads. Adjust depth, lock in place.

ACCESSORY

Model	Description
A-160-CASE	Carrying case for pitot tubes up to 48"

TELESCOPING STAINLESS STEEL PITOT TUBE

Adjustable Design Extends Insertion Length to 36 Inches



Scan here
to watch
product video

The **MODEL 166T** Telescoping Stainless Steel Pitot Tube is a unique air flow sensor which can quickly and easily be adjusted for any duct insertion length from 11.5 to 36 inches (29.2 to 91.4 cm), allowing it to replace up to 5 conventional fixed length Pitot tubes. The telescoping sections lock in place as they are extended, which enables the use of the handheld grip to gauge proper alignment of the tip with the airstream. For even greater convenience, it is securely protected by a custom fitted polyethylene carrying case.

FEATURES/BENEFITS

- Adjustable length can replace up to 5 fixed length Pitot tubes
- Stainless steel construction resists corrosion
- 1.8" diameter hemispherical tip has 1.0 flow coefficient

APPLICATIONS

- Monitor or control air velocity or air flow when combined with differential pressure gage, switch, or transmitter where varying lengths are needed

MODEL CHART

Model	Description
166T	Telescoping pitot tube



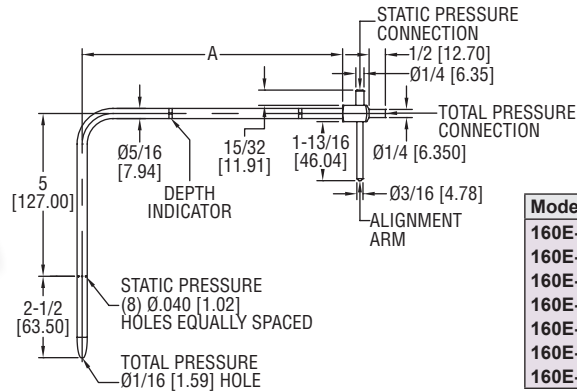
Download the Dwyer
Air Velocity Calculator App for
iOS® or Android® devices

ELLIPSOIDAL TIP PITOT TUBE

Designed to Meet ISO Standard 3966



Scan here to watch product video



Model	Dim A
160E-00	7-7/8 [200.03]
160E-01	11-7/8 [301.63]
160E-02	18-7/8 [479.43]
160E-03	31-1/2 [800.10]
160E-04	39-1/2 [1003.30]
160E-05	48 [1219.20]
160E-06	59-7/8 [1520.83]

The **SERIES 160E** Ellipsoidal Tip Pitot Tube uses a precision crafted tip configuration, which allows air to pass smoothly with minimum turbulence for consistent, reliable readings. Sliding depth indicators grip firmly to ensure uniform insertion when measuring traverses across ducts. Total and static pressure taps are 1/4" (6 mm) and are permanently silver soldered to the connection block, making them leak-proof and durable.

FEATURES/BENEFITS

- Designed to meet ISO standard 3966 commonly required in UK and Europe
- Ellipsoidal tip design for improved accuracy
- 304 stainless steel construction adds strength and resists corrosion
- Adjustable depth indicators for fast, consistent traverses
- Alignment indicator helps keep tip parallel to flow

APPLICATIONS

- Monitor or control air velocity or air flow when combined with differential pressure gage, switch, or transmitter

MODEL CHART	
Model	Insertion in Meters
160E-00	0.2
160E-01	0.3
160E-02	0.48
160E-03	0.8
160E-04	1.0
160E-05	1.22
160E-06	1.52

ACCESSORY	
Model	Description
A-160-CASE	Carrying case for pitot tubes up to 1.22 m

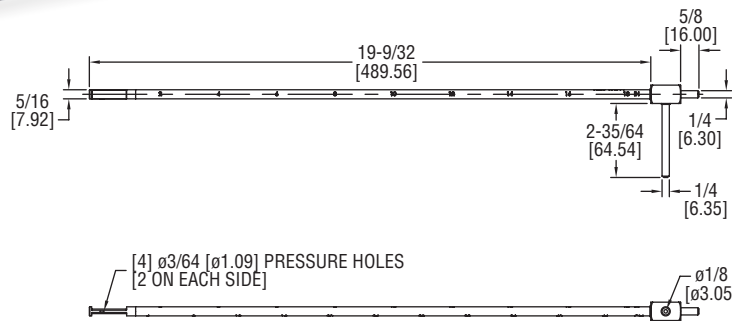


Handy A-532 Slide Chart speeds air velocity calculations. All plastic, stays clean for years. Included with each Pitot tube.

STRAIGHT STAINLESS STEEL PITOT TUBES



Scan here to watch product video



The **SERIES 160F** Straight Stainless Steel Pitot Tube is constructed from corrosion resistant stainless steel with permanently etched insertion depth graduations for a lifetime of service. The static pressure port is parallel to the sensing tube to allow quick, easy alignment of the tube with air flow. The straight design allows for easy insertion into ducts through grills and pressure taps, as well as aids in positioning in hard to reach locations where a hook style Pitot tube may not allow access.

FEATURES/BENEFITS

- Straight design allows for easy insertion into ducts
- Permanent stamped insertion depth graduations facilitate accurate positioning
- Alignment indicator helps keep tip parallel to flow

APPLICATIONS

- Monitor or control air velocity or air flow when combined with differential pressure gage, switch, or transmitter where hook style Pitot tubes don't allow access

MODEL CHART			
Model	Probe Length	Model	Description
160F	18" (457.2 mm)	160F-KIT	Kit containing 160-18, 160-24, 160-36, 160-48, and carrying case
160F-24	24" (609.6 mm)		
160F-36	36" (914.4 mm)		
160F-48	48" (1219.2 mm)		
160F-60	60" (1524 mm)		

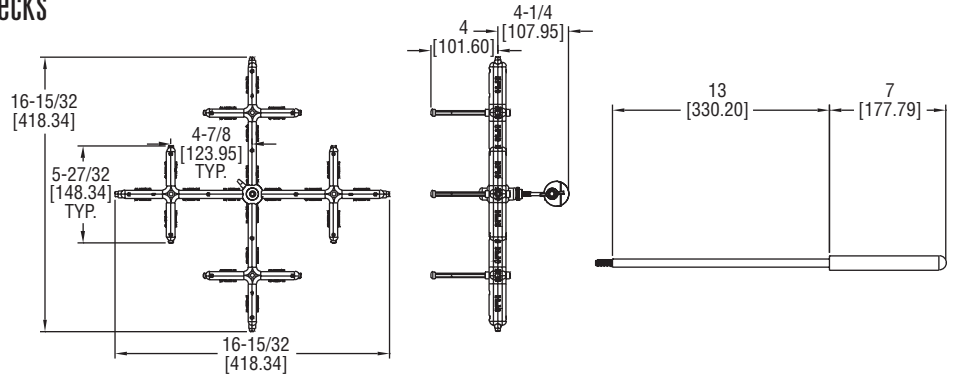
SPECIFICATIONS	
Wetted Material:	304 SS.
Accuracy:	±2% FS, 0 to 9000 FPM (45 M/s).
K-Factor:	0.81.
Temperature Limit:	1500°F (815°C).
Insertion Length:	18" (44 cm).
Process Connections:	1/4" OD.
Weight:	4.3 oz (122 g).
Agency Approvals:	Meets the technical requirements of EU Directive 2011/65/EU (RoHS II).

ACCESSORIES	
Model	Description
A-156	Flange mounting plate 1/2" female NPT
A-158	Split flange
A-159	Mounting gland
A-160-CASE	Carrying case for pitot tubes up to 48"
A-397	Step drill

Dwyer

AVERAGING AIR FLOW GRID

Extends Over 50" to Aid in Air Flow Output Checks



The **MODEL 160G** Averaging Air Flow Grid utilizes 16 sensing points to provide precision sensing across its 16.5" (41.9 cm) length and width. The uniquely designed swivel and tightening nut allows the user to position the sensing grid at any angle for ease of use in hard to reach locations. The included color coded tubing connects to the integral barbed fittings, providing a differential pressure signal to a gage or manometer where the readings can be converted into a velocity or flow reading.

FEATURES/BENEFITS

- Maximum reach of approximately 52" (132 cm)
- 16 sensing points provide an accurate average flow

APPLICATIONS

- Measure face air velocity on grills, diffusers, registers, exhaust hoods

SPECIFICATIONS

Service: Air or compatible gases.

Wetted Materials: Grid: Black polycarbonate; Swivel: Carbon steel; Handle: SS; Bolts: SS; Wing Nut: SS; Standoffs: Aluminum with rubber bumpers, two sets: 1.25" (31.7 mm) and 2" (50.8 mm), 1/8" ID / 1/4" OD; Tubing: Two 10' (3 m) lengths of silicone rubber.

Accuracy: ±2% FS.

Temperature Limits: -40 to 257°F (-40 to 125°C).

K Factor: 0.84.

Range: 1000 to 5000 FPM (5 to 25 m/s).

Process Connection: 1/8 to 1/4" ID tubing.

Weight: 3.5 lb (1.587 kg).

Agency Approvals: Meets the technical requirements of EU Directive 2011/65/EU (RoHS II).

MODEL CHART

Model	Description
160G	Averaging air flow grid

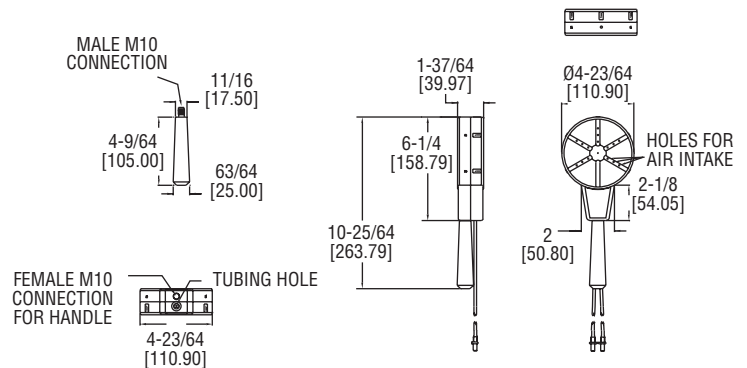
ACCESSORY

Model	Description
UHH-C2	Protective hard case

**UHH-C2**

DIFFERENTIAL PRESSURE ANEMOMETER

Bi-Directional Anemometer, No Sensing Electronics

**Tubing Adapter**

The **MODEL ANE-1** Differential Pressure Anemometer is a robust and durable bi-directional anemometer with no moving parts or sensing electronics. Using the installed tubing, the ANE-1 connects easily to any manometer or applicable pressure sensing device and is capable of measuring a wide velocity range. The air velocity range and accuracy is dependent on the installed manometer, and the ANE-1 retains the accuracy as long as it is dust free.

FEATURES/BENEFITS

- Wide velocity range dependent on connected manometer
- Includes 5' of blue and 5' of red silicone tubing with a removable adapter sized 2 mm OD to 3/16" OD

APPLICATIONS

- Measure face air velocity on grills, diffusers, registers, exhaust hoods

SPECIFICATIONS

Service: Clean air only.

Wetted Materials: Anemometer: ABS; Tubing: Silicone; Handle: Phenolic.

Dimensions: Tubing: 2 mm ID x 4.5 mm OD; Adapter: 2 mm OD to 3/16" OD connections.

Temperature Limits: 23 to 122°F (-5 to 50°C).

K-Factor: 0.843.

Process Connections: 2 removable 5" (12.7 cm) tubing 3/16" ID.

Weight: 7.7 oz (220 g).

MODEL CHART

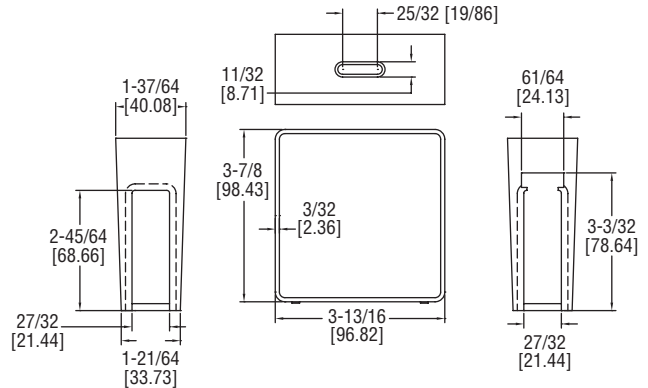
Model	Description
ANE-1	Differential pressure anemometer

VANEOMETER™ SWING VANE ANEMOMETER

Use This Sensitive Dwyer Unit to Measure Low Air Velocities — at Low Cost



Use a Vaneometer™ Swing Vane Anemometer to measure velocity of air flow into laboratory fume hoods and at paint spray booths to determine when to change filters. Or wherever needed to meet OSHA standards of ventilation for smoke, dust or fume removal.



The **MODEL 480** Vaneometer™ Swing Vane Anemometer is a durable, economically priced instrument specifically designed to simplify the measurement of low air velocities. It is accurate to $\pm 5\%$ of full scale to 100 FPM and $\pm 10\%$ from 100 FPM to the top of scale. It has a spirit level to ensure accurate readings and the large scales are easy to read and visible from both sides.

FEATURES/BENEFITS

- Small size and weight for easy portability
- Easy to clean ABS plastic housing

APPLICATIONS

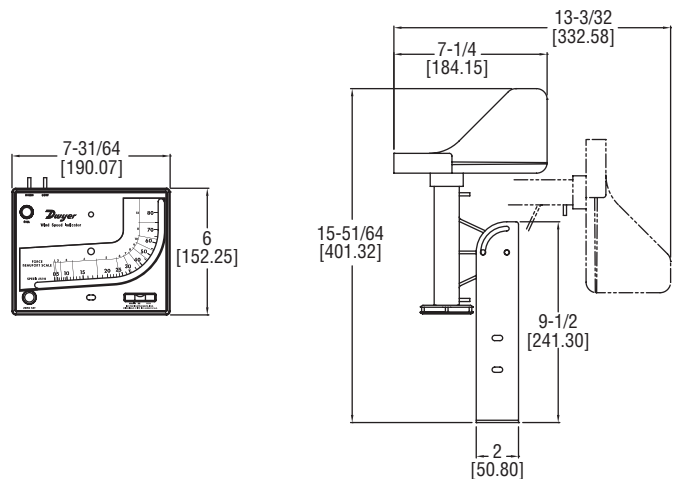
- Measure air flow into laboratory fume hoods

MODEL CHART	
Model	Description
480	25 to 400 FPM
M480	0 to 2.0 m/s
A-390	Extra vanes, pkg. of 2
A-406	Molded carrying case
A-407	Plastic carrying pouch

MARK II WIND SPEED INDICATOR



Includes ABS plastic vane, 50' tubing, mounting hardware and gage fluid.



The **SERIES MARK II** Wind Speed Indicator indicates wind speed directly on the liquid filled scale reading in both miles per hour (0-80) and Beaufort scale (1-12). A metric model is also available, which reads the same as above, but reading 0-130 kilometers per hour. The Mark II Wind Speed Indicator is an accurate, economically priced option for measuring wind speed.

FEATURES/BENEFITS

- Durable molded white instrument with gold scale
- English and metric units available

APPLICATIONS

- Weather monitoring stations

MODEL CHART	
Model	Scale
Mark II WSI	mph
Mark II WSI Metric	kph

Note: Standard discounts do not apply to the Wind Speed Indicator. Sporting goods dealers and distributors. Contact factory for quantity discounts.

Dwyer

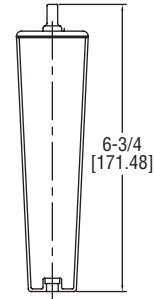
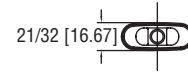
PORTABLE WIND METER



Hold this way
for low scale reading



For high scale reading,
finger covers hole



Dimensions: 5/8" W X 6-3/4" H X 17/32" D

The Portable **SERIES WIND METER** is used to indicate wind speed and is ideal for yachtsmen, outdoors-men, and farmers. By holding the meter at eye level with the back of the unit to the wind, the white ball in the tube indicates wind speed. The meter has two scales for maximum accuracy.

FEATURES/BENEFITS

- Direct reading requires no calculations
- Dual scales to fit any requirement

APPLICATIONS

- Fishing, hunting, golf

MODEL CHART

Model	Scale
Wind Meter-MPH	mph
Wind Meter-KNOT	knots
Wind Meter-KPH	kph
Wind Meter-MPS	mps

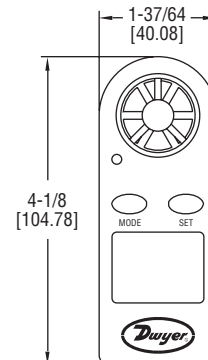
Note: Standard discounts do not apply to the windmeter. Sporting goods dealers and distributors: Contact factory for quantity discounts.

ACCESSORY

Model	Description
A-376	Replacement floats for windmeter, tube of 3

POCKET WIND METER

Measures Wind Speed and Temperature, Wide Range



The **MODEL MW-1** Pocket Wind Meter measures wind speed and temperature via the integral vane and thermo-anemometer sensor. Users can view readings on the four-digit LCD with wind speed bar graph and select units for air velocity and temperature. The MW-1 also features automatic shut-off, detailed instruction manual, and protective plastic water resistant housing that floats.

FEATURES/BENEFITS

- User selectable units to fit any requirement
- Auto shut-off to conserve battery life
- Water resistant plastic housing floats

APPLICATIONS

- Balancing applications
- Energy audits
- HVAC inspection

SPECIFICATIONS

Air Velocity Range: 0 to 30 m/s, 0 to 5860 ft/min, 0 to 90 km/h, 0 to 65 mph, 0 to 55 knots.

Temperature/Wind-Chill Ranges: 14 to 113°F (-10 to 45°C).

Temperature Resolution: 0.36°F (0.2°C).

Accuracy: Wind speed: ±5% of reading. Temperature: ±3.6°F (±2°C).

Resolution: 0.1 m/s, 19 ft/min, 0.3 km/h, 0.2 mph, 0.2 knots.

Sample Time: 1 reading per second.

Water-Resistant: Up to 3' (1 meter).

Power Requirements: 3 V CR2032 or BR1225 lithium metal battery, installed functional, user replaceable.

Auto-Off: 14 minutes after last key is pressed.

Impeller: Plastic, replaceable.

Case: Plastic.

Display: 2.32 x 2" (59 x 51 mm).

Weight: 1.84 oz (52.1 g).

Agency Approvals: CE.

MODEL CHART

Model	Description
MW-1	Hand-held, mini-vane thermo-anemometer

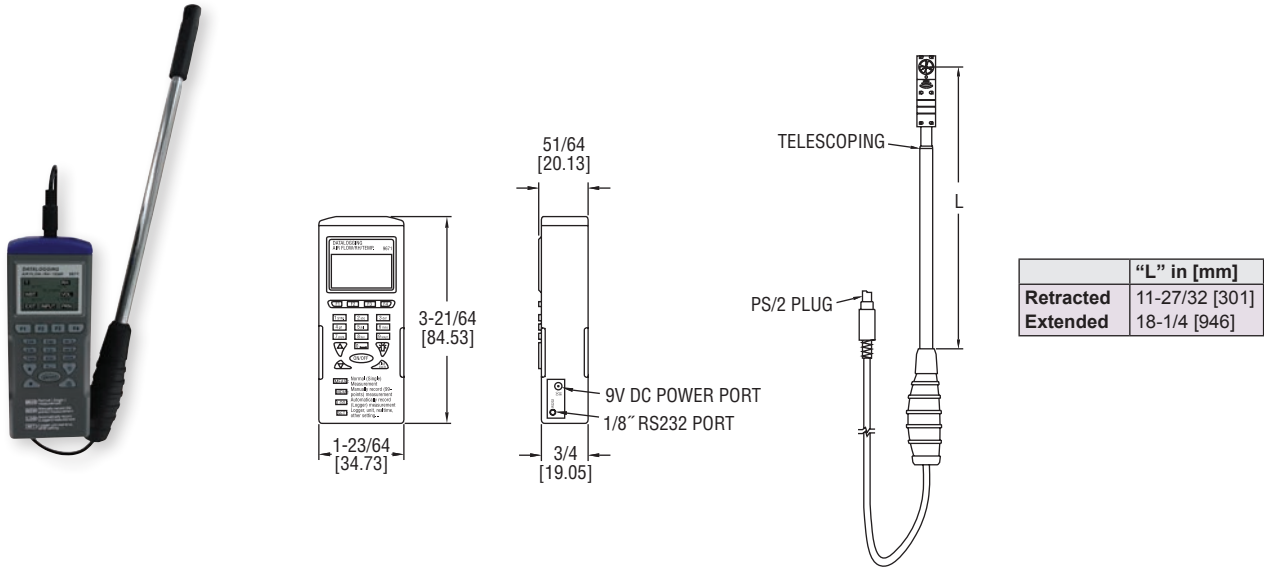
ACCESSORY

Model	Description
A-166	Replacement vane for MW-1



MINIATURE VANE THERMO-ANEMOMETER

Telescoping Probe Measures Air Velocity, Air Volume, Temperature, and Humidity



The **MODEL VT-300** Miniature Vane Thermo-Anemometer measures air velocity, air volume, temperature, and humidity inside air ducts. This meter includes a telescoping vane probe that is only 0.7" (18 mm) in diameter that allows duct traverse measurements up to 20" ducts. User-selectable units include ft/min, m/s, knots, mph, and km/hr. The vane probe has a built-in sensor to record temperature in °F or °C, as well as humidity in %RH. There are three modes which include viewing data in real time, manual recording, and automatic recording. Model VT-300 can store measurements that can later be transferred to a PC via RS-232 communication. The vane probe is detachable for easy replacement, if necessary, or as an addition to Model 9671. Each unit is supplied with a hard carrying case, batteries, logging software CD, USB to RS-232 cable and instruction manual.

MODEL CHART	
Model	Description
VT-300	Miniature vane thermo-anemometer

ACCESSORIES	
Model	Description
A-VT300-P	Replacement probe with miniature vane

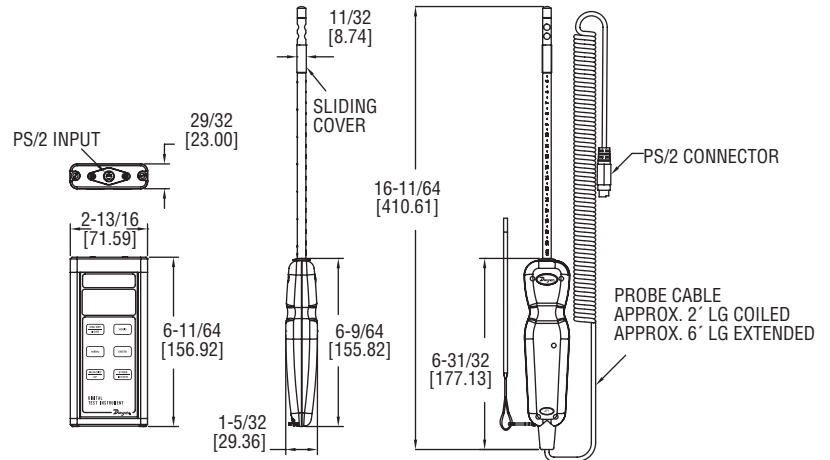
SPECIFICATIONS	
<p>AIR VELOCITY Range: 98.4 to 3937 ft/min (0.5 to 20 m/s). Accuracy: ±3% of reading + 0.2 m/s. Resolution: 0.1 m/s. Response Time: 1 s.</p>	<p>WET BULB Range: -7.6 to 158°F (-22 to 70°C). Resolution: 0.1°F (0.1°C).</p>
<p>TEMPERATURE Range: -4 to 140°F (-20 to 60°C). Accuracy: ±1°F (±0.6°C) from -4 to 122°F (-20 to 50°C); ±2.2°F (±1.2°C) from 122 to 140°F (50 to 60°C). Resolution: 0.1°F (0.1°C). Response Time: 60 s (typ).</p>	<p>METER Temperature Limits: Operating: 32 to 122°F (0 to 50°C); Storage: -4 to 122°F (-20 to 50°C). Humidity Limits: Operating: <80% RH; Storage: <90% RH. Display: 1 x 1.8" (26 x 45 mm). Serial Communications: 9600 bps, 8 data bits, no parity. Power Requirements: (4) AAA 1.5 V alkaline batteries, included, user replaceable. Battery Life: 100 hours. Vane Diameter: 0.7" (18 mm). Weight: 7.41 oz (210 g). Agency Approvals: CE.</p>
<p>RELATIVE HUMIDITY Range: 0.1 to 99.9% RH. Accuracy: ±3% RH at 25°C (10 to 90% RH); ±5% RH (0.1 to 10% RH, 90 to 99.9% RH). Resolution: 0.1% RH. Response Time: 60 s (typ).</p>	
<p>AIR VOLUME Range: 0 to 99,999 (CFM or m3/s). Resolution: 0.1 (0 to 9999.9) or 1 (10,000 to 99,999).</p>	

THERMO-ANEMOMETER TEST INSTRUMENT

Measures Air Velocity or Air Volume and Temperature Simultaneously



New Six Button Operation Provides Quick Access to Enhanced Features



Scan here to watch product video

The **MODEL 471B** Thermo-Anemometer Test Instrument is a versatile dual function unit that quickly and easily measures air velocity or volumetric flow as well as air temperature in imperial or metric units. A stainless steel probe is included, which has a comfortable hand grip and etched insertion depth marks. The extruded aluminum housing fully protects electronics, yet is lightweight and comfortable to hold.

FEATURES/BENEFITS

- High contrast and backlit LCD for visibility in any condition
- Able to store up to 99 readings
- Integral sliding cover protects probe sensors when not in use
- Built-in volumetric air flow calculations

APPLICATIONS

- Duct traverses
- HVAC inspections
- Testing and balancing

MODEL CHART

Model	Description
471B-1	Digital thermo anemometer includes 9V battery, sensing probe, wrist strap, soft carrying case and instructions

ACCESSORIES - CASES

Model	Description
UHH-C1	Spare soft carrying case
A-160-CASE	Hard carrying case for longer probes (18" to 36")
A-47X-BOOT	Protective magnetic rubber boot

ACCESSORIES - PROBES

Model	Probe Length	Description
AP1	8"	Thermo anemometer air velocity & temperature probe with coiled cable
AP1-18	18"	Thermo anemometer air velocity & temperature probe with coiled cable
AP1-24	24"	Thermo anemometer air velocity & temperature probe with coiled cable
AP1-36	36"	Thermo anemometer air velocity & temperature probe with coiled cable

SPECIFICATIONS

Service: Air velocity and temperature of clean, dry air.

Temperature Limits: Process air velocity: -20 to 212°F (-29 to 100°C); Process temperature: -40 to 212°F (-40 to 100°C); Ambient: 5 to 125°F (-15 to 51°C).

Display: 4.5 digit LCD.

Resolution: 0.1%, 0.1 °F/°C.

Range Air Velocity: 0 to 6000 FPM (0 to 30 m/s).

Accuracy Air Velocity: ±3% FS within temperature range of 40 to 90°F (4 to 32°C).

Range Volumetric Air Flow: 19,999 in selected flow units.

Range Temperature: -40 to 212°F (-40 to 100°C).

Accuracy Temperature: ±0.5°F (±0.28°C) from 32 to 122°F (0 to 50°C); ±1.5°F (±0.83°C) from -40 to 32°F (-40 to 0°C) & 122 to 212°F (50 to 100°C).

Probe Length: 8" (203 mm) insertion.

Cable Length: 28" (71 cm) retracted, 6 ft (183 cm) extended.

Power Requirements: 9 V alkaline battery, installed non-functional, user replaceable.

Weight: 16 oz (454 g).

Agency Approvals: CE.



Replaceable Probe with Secure 6 Pin Adapter



Soft Carrying Case Included with Every Unit



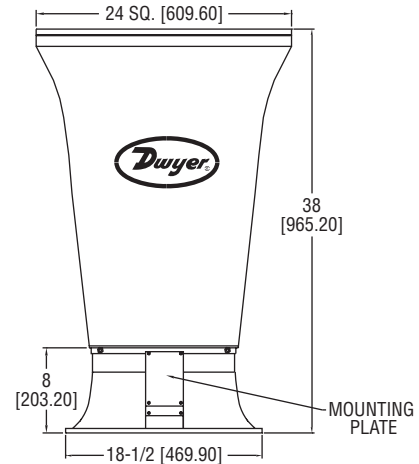
A-47X-BOOT (Manometer not included)

AIR FLOW HOOD

Measures Volumetric Flow Rate with Highly Accurate Digital Manometer



Standard AFH2



Hood Frame Assembly

The **MODEL AFH2** Air Flow Hood maintains a running average of volumetric air flow measurements and provides the ability to manually record the measurements with the manometer over a given period of time. The highly accurate digital manometer has an auto-zero function and will auto-zero at user-defined intervals. In addition to these features, the unit will alert you when its battery is running low in order to avoid recording inaccurate measurements.

FEATURES/BENEFITS

- Highly durable and easy storage in included travel case
- No tools required to set up
- Digital manometer easily mounts to the flow hood or can be used as stand alone instrument

APPLICATIONS

- Measure volumetric air flow from diffusers, grilles, and registers

MODEL CHART	
Model	Description
AFH2	Air flow hood with 2' x 2' hood

SPECIFICATIONS

Service: Air.
Volume Flow Rate Units: CFM, l/s, m³/hr.
Volume Flow Ranges: Supply: CFM: 41 to 1176; l/s: 19 to 555; m³/hr: 69 to 2000; Exhaust: CFM: 45 to 1176; l/s: 21 to 555; m³/hr: 76 to 2000.
Volume Flow Ranges with Low Flow Kit: Supply: CFM: 25 to 1176; l/s: 12 to 555; m³/hr: 43 to 2000; Exhaust: CFM: 29 to 1176; l/s: 14 to 555; m³/hr: 49 to 2000.
Accuracy @ 20°C (68°F): Supply: ±3% of reading ±9 CFM (±4 l/s, 14 m³/hr); Exhaust: ±3% of reading ±9 CFM (±4 l/s, 14 m³/hr).
Span Stability v. Temperature: Better than 0.1% of range in use per 2°F (1°C).
Zero System Accuracy: ±1 count (±0.05 Pascal typical; ±0.0002 in w.c.).
Temperature Limits: Operating: 32 to 122°F (0 to 50°C); Storage: 23 to 122°F (-5 to 50°C).
Thermal Effect: ±0.1% of range in use per 2°F (1°C).
Zero Drift: Negligible due to auto zero system. When auto zero set at 30 second intervals (2 minute warm up).
Orientation Effect: Any 45 degree change 0.0004 in w.c. (0.1 pascal) typical.
System Air Leak: 0.366 in³/hr (0.1 ml/min) @ 20 in w.c. (5 kPa) typical.
Maximum Differential Pressure: 60 in w.c. (15 kPa).
Auto Ranging Display: 0.375" high digits.
Resolution: 1 CFM, 1 l/s, 1 m³/hr.
Output: RS-232 serial interface (baud rate 9600).
Memory Capability: 2500 readings in any engineering unit.
Power Requirements: 8.4 V NiMH battery, installed functional, user replaceable (optional 9 V alkaline battery may be used in place of rechargeable).
Dimensions: 30" x 24" x 24" (965 x 610 x 610 mm). Hood only: 2' x 2' (600 mm x 600 mm).
Weight: 8.8 lb (4 kg).
Agency Approvals: CE.

ACCESSORIES	
Model	Description
A-174	Low flow hood adapter kit
A-175	Hood adapter kit (required for use with below alternative hoods)
A-176	1' x 4' canvas hood
A-177	2' x 4' canvas hood
A-178	1' x 5' canvas hood
A-179	3' x 3' canvas hood
A-190	Software and cable



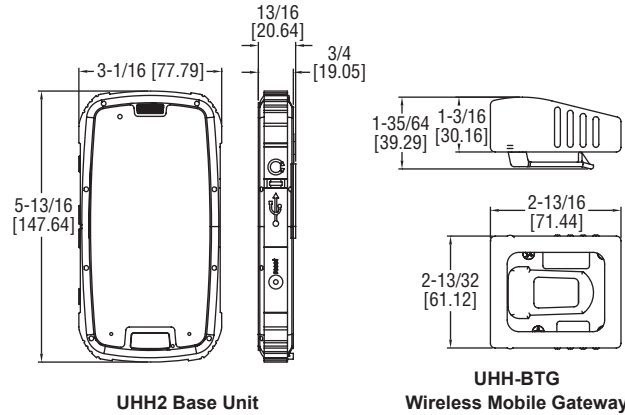
AFH2 with A-174 Low Flow Adapter



AFH2 Travel Case

UNIVERSAL HANDHELD TEST INSTRUMENT

Rugged Weatherproof Case, Works with Wireless Sensors



Scan here
to watch
product video

The **MODEL UHH2** Universal Handheld Test Instrument provides the functionality and versatility of the Mobile Meter® Software App on a rugged IP68 Android® based handheld. Wireless anemometer, hygrometer, and pressure probes communicate to the handheld using Bluetooth SIG, Inc. wireless technology and can all be displayed simultaneously. Each UHH2 includes a UHH2 handheld base unit, UHH-BTG wireless mobile gateway, two USB charging cables, charging block, mini-screwdriver, user manual, and headphones.

FEATURES/BENEFITS

- Rugged weatherproof housing withstands 1.5 meter drop test
- Wireless measurement of pressure, air velocity, air flow, temperature, and humidity
- Share logged data directly from handheld over Wi-Fi, GSM or CDMA networks

APPLICATIONS

- Building commissioning
- Building balancing
- Testing HVAC equipment performance

MODEL CHART

Model	Description
UHH2	Universal handheld base unit
AP2	Wireless thermo-anemometer, air velocity, & temperature probe
RP2	Wireless thermo-hygrometer, humidity, and temperature probe
VP2	Wireless 100 mm vane thermo-anemometer, air velocity, temperature, and humidity probe
WDPM-002	Wireless differential pressure module, ±2 in w.c. (498.18 Pa)
WDPM-005	Wireless differential pressure module, ±5 in w.c. (1245.4 Pa)
WDPM-010	Wireless differential pressure module, ±10 in w.c. (2490.9 Pa)
WDPM-020	Wireless differential pressure module, ±20 in w.c. (4981.8 Pa)
WDPM-030	Wireless differential pressure module, ±30 in w.c. (7472.7 Pa)
WDPM-100	Wireless differential pressure module, ±100 in w.c. (24909 Pa)
WDPM-200	Wireless differential pressure module, ±200 in w.c. (49818 Pa)
WDPM-350	Wireless differential pressure module, ±350 in w.c. (87181 Pa)

ACCESSORIES

Model	Description
KF-CC-304	Dual USB charger with North American adapter (1.5 A)
UHH-C1	Soft carrying case
UHH-C2	Heavy duty hard case with pre-cut foam inserts for additional sensors
UHH-CBL	USB to mini-USB cable
UHH-CBL2	USB to micro-USB cable
UHH-ICHRG	UHH dual USB charger with international adapters (1.0 A) (Not CE approved)

SPECIFICATIONS

Display: 4.3" QHD Gorilla glass touch screen, 960x540.
Wireless Distance: 50' (15 m) or greater.
Response Time: 1 s.
Temperature Limits: Operating: -4 to 140°F (-20 to 60°C); Storage: -40 to 176°F (-40 to 80°C).
Humidity Limits: 5 to 95% RH.
Power Requirements: 2000 mAh lithium ion battery, installed functional, non-replaceable.
Memory: RAM 1G & ROM 4G.
Operating System: Android 4.2.2.
CPU: MTK6589W Quad Core 1.2 GHz.
Enclosure Rating: IP68.
Weight: 15.9 oz (450 g).
Agency Approvals: CE.



Android® is a registered trademark of Google, Inc.

AIR QUALITY TEST INSTRUMENT KITS

AQTIA Combines the UHH2 Universal Handheld with Compatible Probes



Scan here to watch product video



The **SERIES AQTIA** Air Quality Test Instruments combine the versatile Model UHH2 handheld base with various compatible probes and modules. The versatile combination provides a line of instruments capable of streamlining a technician's everyday testing by combining all into one product and using Bluetooth SIG, Inc. wireless technology for ease of use.

FEATURES/BENEFITS

- Rugged IP68 housing withstands 1.5 meter drop test
- Wireless measurement of pressure, air velocity, air flow, temperature, and humidity

APPLICATIONS

- Building commissioning
- Building balancing
- Testing HVAC equipment performance

SPECIFICATIONS

Display: 4.3" QHD Gorilla glass, 960x540.
Temperature Limits: Operating: -4 to 140°F (-20 to 60°C); Storage: -40 to 176°F (-40 to 80°C).
Humidity Limits: 5 to 95% RH.
Power Requirements: 2000 mAh lithium ion battery, installed functional, non-replaceable.
Memory: RAM 1G & ROM 4G.
Operating System: Android 4.2.2.
CPU: MTK6589W Quad Core 1.2 GHz.
Enclosure Rating: IP68.
Weight: 15.9 oz (450 g).
Agency Approvals: CE.

MODEL CHART			
Model	Parameters	Range	Engineering Units Available
AQTIA-AP2	Velocity/temperature	0 to 6000 FPM; -20 to 212°F	Velocity: fps, fpm, mph, knots, m/s, m/h, k/h; Temperature: °F, °C, °K
AQTIA-RP2	Humidity/temperature	0 to 100% RH; -20 to 140°F	Humidity: %RH; Temperature: °F, °C, °K
AQTIA-VP2	Velocity/RH/temperature	40 to 5000 FPM; 0 to 100% RH; -4 to 140°F	Velocity: fps, fpm, mph, knots, m/s, m/h, k/h; Temperature: °F, °C, °K
AQTIA-WDPM-002	Pressure	±2 in w.c. (498.18 Pa)	in w.c., ft w.c., in Hg, psi, oz/in ² ; mm w.c., cm w.c., mbar, Pa, hPa, kPa
AQTIA-WDPM-005	Pressure	±5 in w.c. (1245.4 Pa)	in w.c., ft w.c., in Hg, psi, oz/in ² ; mm w.c., cm w.c., mbar, Pa, hPa, kPa
AQTIA-WDPM-010	Pressure	±10 in w.c. (2490.9 Pa)	in w.c., ft w.c., in Hg, psi, oz/in ² ; mm w.c., cm w.c., mbar, Pa, hPa, kPa
AQTIA-WDPM-020	Pressure	±20 in w.c. (4981.8 Pa)	in w.c., ft w.c., in Hg, psi, oz/in ² ; mm w.c., cm w.c., mbar, Pa, hPa, kPa
AQTIA-WDPM-030	Pressure	±30 in w.c. (7472.7 Pa)	in w.c., ft w.c., in Hg, psi, oz/in ² ; mm w.c., cm w.c., mbar, Pa, hPa, kPa
AQTIA-WDPM-100	Pressure	±100 in w.c. (24909 Pa)	in w.c., ft w.c., in Hg, psi, oz/in ² ; mm w.c., cm w.c., mbar, Pa, hPa, kPa
AQTIA-WDPM-200	Pressure	±200 in w.c. (49818 Pa)	in w.c., ft w.c., in Hg, psi, oz/in ² ; mm w.c., cm w.c., mbar, Pa, hPa, kPa
AQTIA-WDPM-350	Pressure	±350 in w.c. (87181 Pa)	in w.c., ft w.c., in Hg, psi, oz/in ² ; mm w.c., cm w.c., mbar, Pa, hPa, kPa

Note: AQTIA series models supplied with: UHH2, UHH-BTG, wireless sensing probe, soft carrying case (UHH-C1), charging cable (UHH-CBL2), and headphones.
Note: Pro series models supplied with: UHH2, UHH-BTG, wireless sensing probe, soft carrying case (UHH-C1), charging cable (UHH-CBL2), headphones, heavy duty hard case with pre-cut foam inserts for additional sensors (UHH-C2), and NIST calibration certificate. For pro series models, replace AQTIA with AQTIAIP.

MODEL CHART				
Model	Probes Provided	Parameters	Range	Engineering Units Available
AQTIAIP-WDPM-002-PKIT	WDPM-002	Pressure	±2 in w.c. (498.18 Pa)	in w.c., ft w.c., in Hg, psi, oz/in ² ; mm w.c., cm w.c., mbar, Pa, hPa, kPa
	AP2	Velocity/temperature	0 to 6000 FPM; -20 to 212°F	Velocity: fps, fpm, mph, knots, m/s, m/h, k/h; Temperature: °F, °C, °K
	RP2	Humidity/temperature	0 to 100% RH; -20 to 140°F	Humidity: %RH; Temperature: °F, °C, °K
	VP2	Velocity/RH/temperature	40 to 5000 FPM; 0 to 100% RH; -4 to 140°F	Velocity: fps, fpm, mph, knots, m/s, m/h, k/h; Temperature: °F, °C, °K
AQTIAIP-WDPM-005-PKIT	WDPM-005	Pressure	±5 in w.c. (1245.4 Pa)	in w.c., ft w.c., in Hg, psi, oz/in ² ; mm w.c., cm w.c., mbar, Pa, hPa, kPa
	AP2	Velocity/temperature	0 to 6000 FPM; -20 to 212°F	Velocity: fps, fpm, mph, knots, m/s, m/h, k/h; Temperature: °F, °C, °K
	RP2	Humidity/temperature	0 to 100% RH; -20 to 140°F	Humidity: %RH; Temperature: °F, °C, °K
	VP2	Velocity/RH/temperature	40 to 5000 FPM; 0 to 100% RH; -4 to 140°F	Velocity: fps, fpm, mph, knots, m/s, m/h, k/h; Temperature: °F, °C, °K

Note: Full professional kits supplied with UHH2, UHH-BTG, AP2 thermo-anemometer probe, RP2 thermo-hygrometer probe, VP2 thermo-anemometer probe, WDPM wireless differential pressure module, 160-18 stainless steel pitot tube, 160F straight stainless steel pitot tube, 160G averaging air flow grid, (2) A-303 portable static pressure tip, soft carrying case (UHH-C1), charging cable (UHH-CBL2), headphones, heavy duty hard case with pre-cut foam inserts for additional sensors (UHH-C2), and NIST calibration certificates.



MOBILE METER® SOFTWARE TEST INSTRUMENT APP

Works With Most Android® and iOS® Phones/Tablets; Wireless Probes



Scan here to watch product video



Touch to access parameters

Connection status



Touch to toggle between meter and gauge view

The **MOBILE METER®** Software Test Instrument App converts Android® and iOS® based phones and tablets into a multi-function test instrument. Wireless probes connect to the phone or tablet using our mobile gateway, Model UHH-BTG, which utilizes wireless technology from Bluetooth SIG Inc. Parameters from multiple probes can be displayed simultaneously, or a single probes parameters can be displayed as a meter or analog gauge.

FEATURES/BENEFITS

- Available on Android® and iOS® devices
- Data logging feature records measurements from a single probe and can email reports directly from device
- Display multiple parameters in gauge or meter display

APPLICATIONS

- Building balancing
- Building commissioning
- Testing HVAC equipment performance

SPECIFICATIONS

Operating Systems: Android® firmware version 3.X or later, iOS® firmware version 5.X or later.
Wireless Protocol: Conforms to Bluetooth SIG, Inc. low energy wireless technology.
Wireless Distance: 50' (15 m) or greater.
Response Time: 1 s.



Scan here to download for FREE for iOS® & Android® devices
<http://www.dwyer-inst.com/MobileMeterApp/>

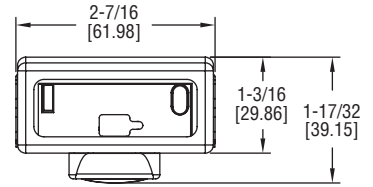
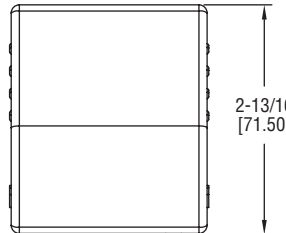


WIRELESS MOBILE GATEWAY

Converts UHH Probe Wireless Signals to Bluetooth SIG, Inc. Wireless Technology



Scan here to watch product video



The **MODEL UHH-BTG** Wireless Mobile Gateway transforms the wireless signal from any Dwyer Instruments, Inc. universal handheld probe or module into a Bluetooth SIG, Inc. Wireless Technology. Using this gateway, any iOS® Firmware version 5.X or later or Android® Firmware Version 3.X or later smartphone or tablet can become the base instrument for measuring or logging. Once the gateway is paired with a device, our Mobile Meter® Software Mobile App or any other Dwyer Instruments, Inc. approved apps can detect available probes or modules.

FEATURES/BENEFITS

- Detects probes/modules from 50 ft (15 m) away
- Compact size with belt clip for carrying around
- Can be recharged using the same mini-USB cable and charger as probes/modules

APPLICATIONS

- Building balancing
- Building commissioning
- Testing HVAC equipment performance

SPECIFICATIONS

Wireless Protocol: Conforms to Bluetooth SIG, Inc. low energy wireless technology.
Wireless Distances: 50' (15 m) or greater.
Response Time: 1 s.
Temperature Limits: Ambient: 5 to 125°F (-15 to 51°C); Battery charging: 32 to 113°F (0 to 45°C).
Power Requirements: 3.7 V Y562447 lithium ion battery, installed functional, user replaceable.
Weight: 2.5 oz (70.87 g).
Agency Approvals: CE with CE approved charger, FCC.

MODEL CHART - CONVERTS THESE WIRELESS PROBES FOR USE WITH OUR MOBILE METER® SOFTWARE MOBILE APP

Model	Description
AP2	Wireless thermo-anemometer probe
RP2	Wireless thermo-hygrometer probe
VP2	Wireless 100 mm vane thermo-anemometer probe
WDPM-002	Wireless differential pressure probe ±2 in w.c.
WDPM-005	Wireless differential pressure probe ±5 in w.c.
WDPM-010	Wireless differential pressure probe ±10 in w.c.
WDPM-020	Wireless differential pressure probe ±20 in w.c.
WDPM-030	Wireless differential pressure probe ±30 in w.c.
WDPM-100	Wireless differential pressure probe ±100 in w.c.
WDPM-200	Wireless differential pressure probe ±200 in w.c.
WDPM-350	Wireless differential pressure probe ±350 in w.c.

Note: See wireless probe catalog page on the web for full specifications.



MODEL CHART	
Model	Description
UHH-BTG	Wireless mobile gateway

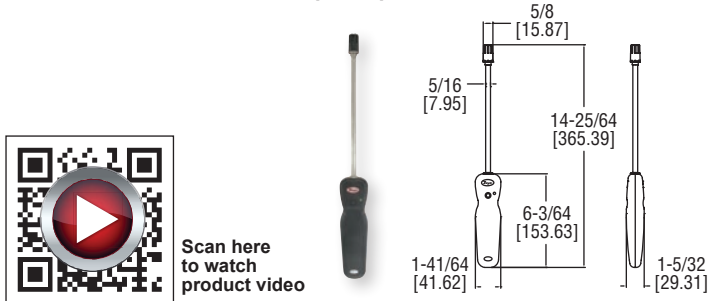
ACCESSORY	
Model	Description
UHH-ICHRG	Dual USB charger

Google Inc.® is a registered trademark of Google, Inc.
 Google® is a registered trademark of Google, Inc.
 iOS® is a registered trademark of Cisco Systems, Inc.
 Google Play™ is a trademark of Google, Inc.

Wireless Probes: See page 343 (Models RP2, AP2 & VP2)

THERMO-HYGROMETER PROBE

Wireless, Measures Humidity, Temperature, Dew Point, & Wet Bulb Temperatures



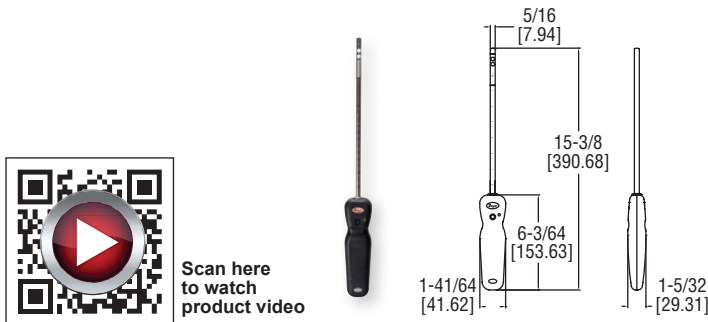
Scan here to watch product video

MODEL CHART	
Model	Description
RP2	Wireless thermo-hygrometer probe for use with the Model UHH handheld meter and the Mobile Meter® Software Test Instrument Mobile App

SPECIFICATIONS	
Service: Clean air.	Probe Length: 8" (203 mm) insertion.
Temperature Limits: Process: -4 to 140°F (-20 to 60°C); Ambient: 5 to 125°F (-15 to 51°C);	Power Requirements: 3.7 V YT562447 Lithium ion battery, installed functional, user replaceable. (Note: Intended to be operated with power cables less than 3 m in length). (Wireless Only).
Battery Charging: 32 to 113°F (0 to 45°C).	Maximum Wireless Distance: 50' (15 m).
Range: RH: 0 to 100% (non-condensing); Temperature: -22 to 140°F (-30 to 60°C).	Handle Enclosure: Thermoplastic elastomer over polycarbonate.
Accuracy: RH: ±2% @ 25°C (10 to 90% RH); ±4% (0 to 10, 90 to 100% RH); Temperature: ±0.54°F @ 77°F (±0.3°C @ 25°C).	Supplied With: Wrist strap.
Response Time: 1.5 s.	Weight: 11.2 oz (331.22 g).
	Agency Approvals: CE (not while charging), FCC compliant.

THERMO-ANEMOMETER PROBE

Wireless, Measures Velocity, Flow, & Temperature



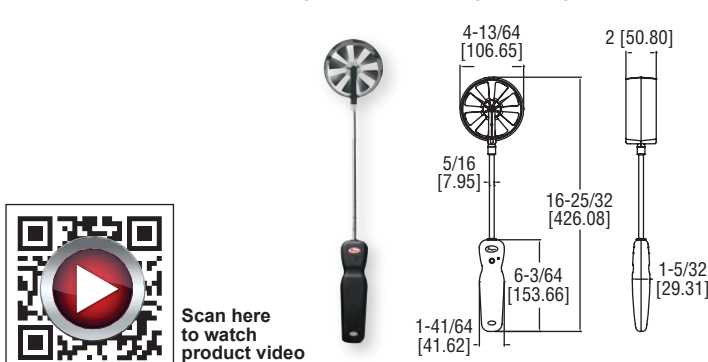
Scan here to watch product video

MODEL CHART	
Model	Probe Length
AP2	8" (203.2 mm)
AP2-18	18" (457.2 mm)
AP2-24	24" (609.6 mm)
AP2-36	36" (914.4 mm)

SPECIFICATIONS	
Service: Dry, clean air.	Power Requirements: 3.7 V YT562447 Lithium ion battery, installed functional, user replaceable. (Note: Intended to be operated with power cables less than 3 m in length). (Wireless Only).
Temperature Limits: Process: -20 to 212°F (-29 to 100°C); Ambient: 5 to 125°F (-15 to 51°C).	Maximum Wireless Distance: 50' (15 m). (Wireless Only).
Range: Air Velocity: 0 to 6000 FPM (0 to 30 m/s); Volumetric Air: 999,999 in selected flow units; Temperature: -20 to 212°F (-29 to 100°C).	Handle Enclosure: Thermoplastic elastomer over polycarbonate.
Accuracy: Air Velocity: ±3% FS within temperature range of 40 to 90°F (4 to 32°C); Temperature: ±0.5°F (±0.28°C).	Supplied With: Wrist strap.
Response Time: 1 s.	Weight: 11.2 oz (317 g).
Probe Length: 8" (203 mm) insertion.	Agency Approvals: CE (not while charging), FCC compliant.
Battery Charging Limits: 32 to 113°F (0 to 45°C). (Wireless Only).	

100 MM VANE THERMO-ANEMOMETER PROBE

Wireless, Measures Velocity, Flow, Humidity, & Temperature



Scan here to watch product video

MODEL CHART	
Model	Description
VP2	Wireless 100 mm vane thermo-anemometer probe for use with the Model UHH handheld meter and the Mobile Meter® Software Test Instrument Mobile App

SPECIFICATIONS	
Service: Dry, clean air.	Response Time: Air Velocity and Air Volume: 1 s; Temperature and Relative Humidity: 1.5 s.
Temperature Limits: Process: -20 to 212°F (-29 to 100°C); Ambient: 5 to 125°F (-15 to 51°C).	Probe Length: 8" (203 mm) insertion.
Range: Air Velocity: 40 to 5000 fpm (0.2 to 25 m/s); Volumetric Air: 999,999 in selected flow units; Temperature: -20 to 212°F (-29 to 100°C); Relative Humidity: 0 to 100% RH.	Battery Charging Limits: 32 to 113°F (0 to 45°C). (Wireless Only).
Accuracy: Air Velocity: 0.25 to 10 m/s: ±1.5% of reading ±20 fpm (±0.1 m/s); 10 to 20 m/s: 1.5% of reading ±40 fpm (±0.2 m/s); 20 to 25 m/s: ±1.5% of reading ±60 fpm (±0.3 m/s); Temperature: ±0.54°F @ 77°F (±0.3°C @ 25°C); Relative Humidity: ±2% @ 77°F (25°C) (10 to 90% RH); ±4% (0 to 10% RH and 90 to 100%).	Power Requirements: 3.7 V YT562447 Lithium ion battery, installed functional, user replaceable. (Note: Intended to be operated with power cables less than 3 m in length). (Wireless Only).
	Maximum Wireless Distance: 50' (15 m). (Wireless Only).
	Handle Enclosure: Thermoplastic elastomer over polycarbonate.
	Supplied With: Wrist strap.
	Weight: 13.6 oz (385 g).
	Agency Approvals: CE (not while charging), FCC compliant.

DIFFERENTIAL PRESSURE MODULES

Wireless, Measures Differential Pressure, Air Velocity, & Flow

Scan here
to watch
product video

SERIES WDPM Wireless Differential Pressure Modules for use with the Model UHH handheld meter and the Mobile Meter® Software Test Instrument Mobile App.

MODEL CHART		
Model	Range	Maximum Pressure
WDPM-002	±2 in w.c. (±500 Pa)	10 psi (68.9 kPa)
WDPM-005	±5 in w.c. (±1250 Pa)	10 psi (68.9 kPa)
WDPM-010	±10 in w.c. (±2.5 kPa)	10 psi (68.9 kPa)
WDPM-020	±20 in w.c. (±5 kPa)	20 psi (137.9 kPa)
WDPM-030	±30 in w.c. (±7.5 kPa)	20 psi (137.9 kPa)
WDPM-100	±100 in w.c. (±25 kPa)	15 psi (103.4 kPa)
WDPM-200	±200 in w.c. (±50 kPa)	45 psi (310.3 kPa)
WDPM-350	±350 in w.c. (±87 kPa)	45 psi (310.3 kPa)

ACCESSORY	
Model	Description
A-WDPM-BRK	Differential pressure mounting bracket

SPECIFICATIONS

Service: Non-corrosive dry gases.

Wetted Materials: Consult factory.

Accuracy: ±0.5% FS span @ 25°C (includes non linearity, hysteresis, and non repeatability).

Pressure Limits: See Table 1.

Engineering Units: Pressure: in w.c., ft w.c., in Hg, psi, OzSl, mm w.c., cm w.c., mBar, Pa, hPa, and kPa; Velocity: fpm, mph, kn, m/s, m/h, k/h, and fps; Flow: cfm, gpm, gph, gpd, m³/s, m³/h, lps, lpm, and lph.

Temperature Limits: Compensated: 32 to 140°F (0 to 60°C); Process/ambient: 14 to 140°F (-10 to 60°C).

Thermal Effects: ±0.01% FS/°F (±0.02% FS/°C).

Battery Charging Limits: 32 to 113°F (0 to 45°C).

Power Requirements: 3.7 V YT562447 lithium ion battery, installed functionally, user replaceable.

Wireless Distance: At least 50' (15 m).

Connections: Two barbed connections for use with 1/8" (3.18 mm) or 3/16" (4.76 mm) ID tubing.

Weight: 2.5 oz (70.87 g).

Agency Approvals: CE with CE approved charger, FCC.

HANDHELD ACCESSORIES



UHH-C1
Soft Carrying Case
(19" x 6" x 3")



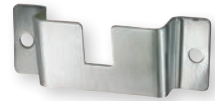
UHH-ICHRG
Dual USB Charger



UHH-STRAP
Hand Strap



UHH-C2
Hard Carrying Case
(24" x 18" x 9")

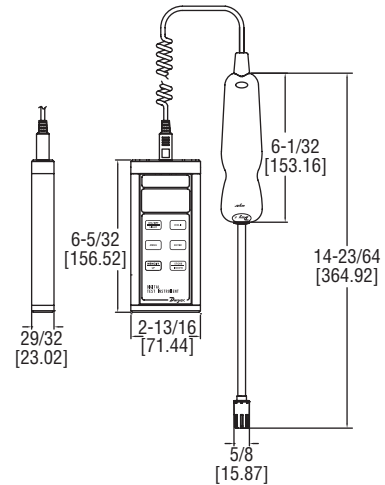


A-WDPM-BRK
Differential Pressure
Mounting Bracket

ACCESSORIES	
Model	Description
UHH-STRAP	UHH hand strap
UHH-ICHRG	UHH dual USB charger with international adapters (1.0 A) (Not CE approved)
UHH-CBL	USB cable
UHH-CBL2	USB to micro-USB cable
UHH-C1	Soft carrying case
UHH-SD	2 GB SD card
KF-CC-304	Dual USB CHARGER with North American adapter (1.5 A)
UHH-C2	Heavy duty hard case with pre-cut foam inserts for additional sensors
A-WDPM-BRK	Differential pressure mounting bracket

THERMO-HYGROMETER

Measures % RH, Temperature, Dew Point and Wet Bulb



The **MODEL 485B** Thermo-Hygrometer is a versatile, compact, handheld instrument for measuring percentage of relative humidity and temperature in °F or °C. Dew point and wet bulb temperatures are derived from the relative humidity and temperature measurements and are displayed on the LCD.

FEATURES/BENEFITS

- Replaceable probes
- Hold feature to freeze current readings on the display
- Stores up to 99 readings for future evaluation

APPLICATIONS

- Building commissioning
- Pulp & paper

MODEL CHART	
Model	Description
485B-1	Digital thermo-hygrometer includes 9V battery, sensing probe, wrist strap, soft carrying case and instructions

SPECIFICATIONS

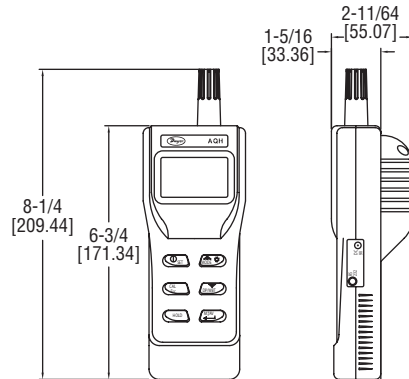
Service: Humidity, temperature, wet bulb and dew point temperature detection in clean air.
Temperature Limits: Process: -40 to 176°F (-40 to 80°C) Ambient: 5 to 125°F (-15 to 51°C).
Range Relative Humidity: 0 to 100% (non-condensing).
Accuracy Relative Humidity: ±2% FS over 10 to 90% @ 77°F (25°C).
Range Temperature: -20 to 140°F (-28 to 60°C).
Accuracy Temperature: ±0.54°F @ 72°F (±0.3°C @ 25°C).
Display: 4.5 digit LCD.
Resolution: 0.1%, 0.1 °F/°C.
Probe Length: 8" (203 mm) insertion.
Power Requirements: 9 V alkaline battery, included, user replaceable.
Weight: 16 oz (454 g).
Agency Approvals: CE.

ACCESSORIES

Model	Description
RP1	Thermo-hygrometer % RH and temperature probe with coiled cable
UHH-C1	Soft carrying case
A-47X-BOOT	Protective magnetic rubber boot

INDOOR AIR QUALITY METER

Measures CO₂, Temperature and Humidity



The **MODEL AQH-20** Handheld Indoor Air Quality Meter reduces the number of instruments a contractor has to carry by measuring carbon dioxide concentration, air temperature, and humidity percentage in one device. A large backlit LCD shows all three parameters simultaneously. This product offers user selectable engineering units, maximum/minimum/average readings, a hold function, and an audible alarm.

FEATURES/BENEFITS

- All-in-one unit for carbon dioxide, temperature, and humidity
- Large backlit LCD for visibility in dark areas
- User configurable alarms for audible indication of hazardous conditions

APPLICATIONS

- Building commissioning
- Green house monitoring

MODEL CHART			
Model	CO ₂ Range	Humidity Range	Temperature Range
AQH-20	0 to 2000 ppm	0.0 to 99.9%	14 to 140°F (-10 to 60°C)

SPECIFICATIONS

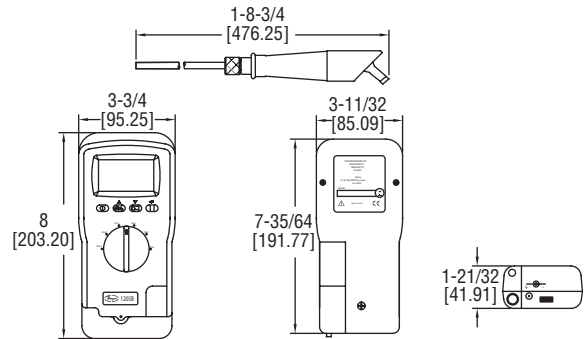
Ranges: CO₂: 0 to 2000 ppm; Temperature: 14 to 140°F (-10 to 60°C); Relative Humidity: 0.0 to 99.9% RH.
Accuracy: CO₂: ±3% ppm ±5% of reading; Temperature: ±0.9°F (±0.6°C); Humidity: ±3% RH (10 to 90%), ±5% (0.0 to 9.9% or 90 to 99.9%).
Resolution: CO₂: 1 ppm; Temperature: 0.1°F (0.1°C); Humidity: 0.1% RH.
Response Time: CO₂: < 30 seconds; Temperature: < 2 minutes; Humidity: <10 minutes.
Display: 4 digits for temperature/CO₂ and 3 digits for humidity.
CO₂ Sensor: Non-dispersive infrared.
Temperature Limits: 32 to 122°F (0 to 50°C).
Humidity Limits (Non-Condensing): 0 to 95% RH.
Power Requirements: (4) 1.5 V AA alkaline batteries, included, user replaceable.
Warm Up Time: 30 seconds.
Weight: 6.76 oz (200 g).
Agency Approvals: CE.

ACCESSORY

Model	Description
TH-CAL	33% and 75% salt bath calibration standards

HANDHELD CO/CO₂ GAS ANALYZER

Measures Indoor Air Quality, Includes Sampling Probe with Hose



The **MODEL 1205B** Handheld CO/CO₂ Gas Analyzer accurately measures the concentration of carbon monoxide (CO) and carbon dioxide (CO₂) in a duct or space and displays the measurement on a dual line backlit LCD. The unit's memory stores up to 255 sets of readings that are logged manually or auto-logged with 1 to 10 minute intervals. Results can then be printed via an optional infrared printer.

FEATURES/BENEFITS

- Displays carbon monoxide and carbon dioxide concentrations simultaneously
- Stores up to 255 sets of readings for future evaluation
- User configurable alarms

APPLICATIONS

- Service and adjustment of boilers, ovens, and other combustion equipment

MODEL CHART

Model	Description
1205B-0	Gas analyzer and logger for CO and CO ₂

SPECIFICATIONS

Ranges: CO: 0 to 1000 ppm, overflow 2000 ppm; CO₂: 200 to 4000 ppm, overflow 9999 ppm.

Accuracy: CO: ±5 ppm < 100 ppm; ±5% > 100 ppm; ±10% > 1000 ppm; CO₂: ±20 ppm < 400 ppm; ±5% < 4000 ppm; ±10% > 4000 ppm.

Resolution: CO: 1 ppm; CO₂: 1 ppm.

Display: Dual LCD display.

Temperature Limits: 32 to 104°F (0 to 45°C).

Humidity Limits (Non-Condensing): 10 to 90% RH.

Power Requirements: 100 to 240 VAC, 50 to 60 Hz or (5) AA NiMH batteries, internal, factory replaceable.

Battery Life: 6 hours with full charge and pump on.

Weight: 2.21 lb (1 kg).

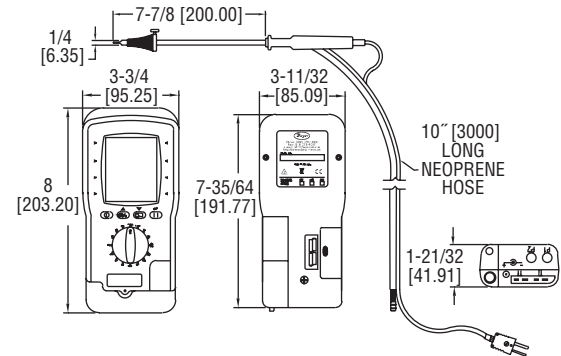
Agency Approvals: CE.

ACCESSORIES

Model	Description
1205B-US	120 VAC power adapter for 1205B
1205B-EU	240 VAC power adapter for 1205B
1205B-PR	Replacement probe for 1205B

HANDHELD FLUE GAS COMBUSTION ANALYZER

Rotary Dial Selection, Display 4 Parameters Simultaneously



The **MODEL 1207A** Handheld Flue Gas Combustion Analyzer allows users to monitor four parameters simultaneously and change the parameters shown using the rotary dial selection switch. The unit's memory stores up to 255 time stamped test sets and can output the measurements to a serial printer. For extra protection, the analyzer comes standard with a protective boot and magnetic back.

FEATURES/BENEFITS

- Displays 4 configurable parameters simultaneously
- Stores up to 255 time stamped test sets for future evaluation

APPLICATIONS

- Service and adjustment of boilers, ovens, and other combustion equipment

ACCESSORIES

Model	Description
1207A-US	120 VAC power adapter
1207A-EU	230 VAC power adapter
1207A-SP	Serial printer
1207A-PP	Printer paper for 1207A-SP
1207A-RF	Replacement filter

SPECIFICATIONS

Range: O₂: 0 to 21%; CO: 0 to 2000 ppm (4000 ppm max for 15 minutes); CO₂: 0 to 30%; Temp. (flue and net): 32 to 1112°F (0 to 600°C); Efficiency: 0 to 99.9%; Excess air: 0 to 250%.

Accuracy: O₂: ±0.2%; CO: ±10 PPM < 100 PPM else ±5% of reading; CO₂: ±0.3% reading; Temp. (flue and net): ±2°C ±0.3% reading; Efficiency: ±1% reading; Excess air: ±0.2%.

Resolution: O₂: 0.1%; CO: 1 PPM; CO₂: 0.1%; Temp. (flue and net): 0.1°F/°C; Efficiency: 0.1%; Excess air: 0.1%.

Ambient Operating Temperature: 32 to 104°F (0 to 40°C).

Power Requirements: (8) AA alkaline batteries, installed functional, user replaceable, (4) AA NiMH batteries, included, user replaceable (charger included) or optional power adapter.

Pre-Programmed Fuels: Natural gas, light oil, propane, butane, LPG, and wood pellets.

Probe: 11.8" (300 mm) length x 0.25" (6 mm) diameter with 7.8" (200 mm) stainless steel shaft.

Hose: 10 ft (3 m).

Weight: 1.7 lb (0.77 kg).

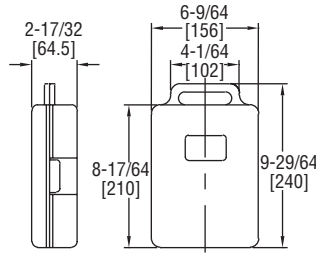
Agency Approvals: CE.

MODEL CHART

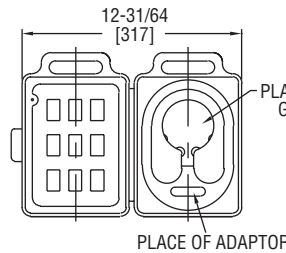
Model	Description
1207A	Handheld flue gas combustion analyzer

GAS PRESSURE TEST KIT

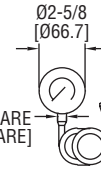
Convenient Kit Perfect For Testing LP and Natural Gas Controls



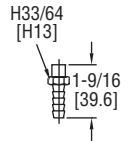
Closed



Open



Gauge & Hose



Adaptor

The **SERIES LPTK** Gas Pressure Test Kit is ideal for testing LP and natural gas lines and controls. The kit's gage shows if proper pressure is present or if a leak exists. Series LPTK is easier to use than a manometer and includes a sturdy case for added durability and safe handling.

FEATURES/BENEFITS

- Calibration screw on the back of the gage
- Simple interface for ease of use

APPLICATIONS

- Combustion gas supply monitoring and testing

MODEL CHART	
Model	Range
LPTK-01	0 to 15 in w.c. & 0 to 8.6 oz/in ²
LPTK-02	0 to 32 in w.c. & 0 to 18.5 oz/in ²
LPTK-03	0 to 4 kPa & 0 to 40 mbar
LPTK-04	0 to 8 kPa & 0 to 80 mbar

Note: Consult factory for other range options.

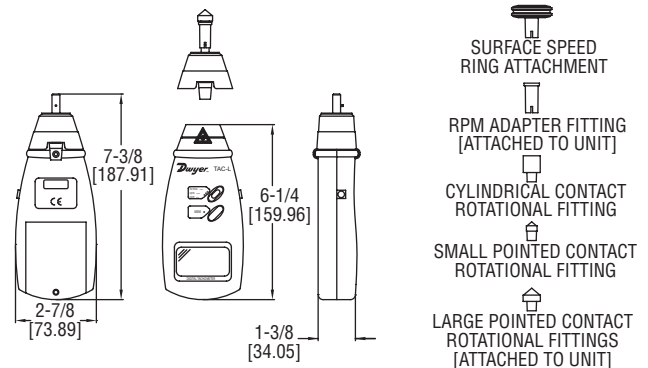
SPECIFICATIONS

Service: Compatible gases.
Wetted Materials: Gage: brass, hose: rubber.
Housing Materials: Steel with black finish.
Lens: Polycarbonate.
Accuracy: ±3% FS.
Pressure Limit: 110% of range.
Temperature Limits: -40 to 150°F (-40 to 65°C).
Size: 2-1/2" (63 mm).
Process Connections: 1/8" NPT, brass hose barb.
Case: ABS plastic.
Hose: Rubber, 36" (91.4 cm).
Tube Nipple: Rubber.
Weight: 1.75 lb (0.8 kg).



PORTABLE DIGITAL TACHOMETER

Contact or Photo Non-Contact Operation, Backlit LCD



The **MODEL TAC-L** Portable Digital Tachometer measures rotational speed either by contacting a rotatable head to the shaft of the object or by using a photo sensor to detect the reflections from the laser. The housing is made of a strong, lightweight ABS plastic housing, which is designed to comfortably fit in the hand of the user. Supplied with this model are 3 contact rotational heads, a contact surface wheel, and a protective carrying case.

FEATURES/BENEFITS

- Non-contact operation can record from a distance of up to 20 inches
- Memory function recalls records since last power off
- Large backlit LCD for visibility in dark areas

APPLICATIONS

- HVAC fan motors
- Powder and bulk conveyor belts

MODEL CHART	
Model	Description
TAC-L	Contact/non-contact digital tachometer

SPECIFICATIONS

Range: Non-contact (RPM): 2.5 to 99,999 RPM; Contact (RPM): 0.5 to 19,999 RPM; Surface speed (m/min): 0.05 to 1999.9 m/min.
Accuracy: ±(0.05% + 1 digit).
Display: Backlit LCD; 5 digits, 7 segments, 0.7" (1.8 cm) H.
Resolution: Non-contact (RPM): 0.1 RPM (2.5 to 999.9 RPM), 1 RPM (1000 to 99,999 RPM); Contact (RPM): 0.1 RPM (0.5 to 999.9 RPM), 1 RPM (1000 to 19,999 RPM); Surface speed (m/min): 0.01 m/min (0.05 to 99.99 m/min), 0.1 m/min (100.0 to 1999.9 m/min).

Non-contact Measuring Distance Range: 2 to 20" (5 to 50 cm).
Sampling Time: 0.8 s.
Temperature Limits: 32 to 122°F (0 to 50°C).
Power Requirements: (4) 1.5 V AA alkaline batteries, included, user replaceable.
Weight: 1.37 lb (.620 kg).
Agency Approvals: CE.

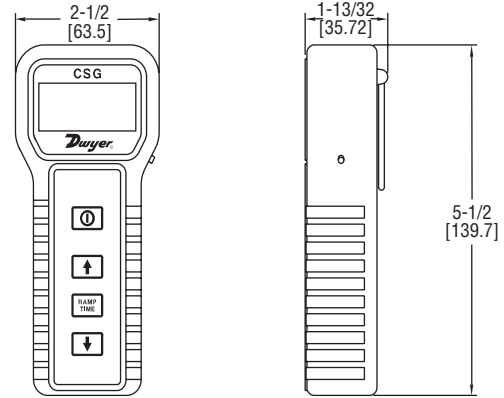
ACCESSORY

Model	Description
TAC-5	Reflective tape, 5' (1.5 m) roll, 1/2" (13 mm) wide



CURRENT/VOLTAGE SIGNAL GENERATOR

Ramp Function, Large Numeric LCD Display



The **MODEL CSG** Current/Voltage Signal Generator generates a 0 to 10 VDC signal in increments of 1 V or a 0 to 20 mA signal in increments of 1 mA. The large LCD features a blue backlight for use in dimly lit areas. Model CSG continuously ramps the output using the user selected minimum, maximum, and ramp interval timing parameters.

FEATURES/BENEFITS

- Large backlit LCD for visibility in dark areas
- Timed ramp function
- Auto shut-off to conserve battery life

APPLICATIONS

- Troubleshooting transmitters and transducers
- Configuring panel meters

SPECIFICATIONS

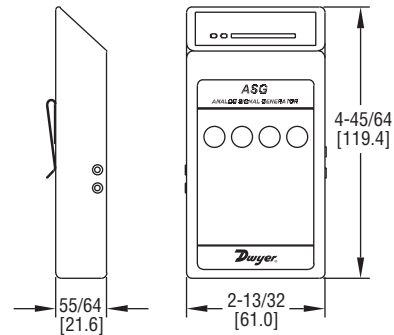
Impedance: Voltage: 1000 min; Current: 300 Ω max.
Output: 0 to 20 mA (1 mA increments); 0-10 VDC (1 VDC increments).
Resolution: 1 mA (current); 1 VDC (voltage).
Ramping Time Intervals: 1 to 20 s (1 s increments).
Ambient Operating Temperature: 32 to 122°F (0 to 50°C).
Power Requirements: 9 V alkaline battery, included, user replaceable or 120 VAC (provided).
Auto Power Off: 1 to 20 min.
Electrical Connections: 6' (1.8 m) with alligator clips.
Weight: 6 oz (170 g).

MODEL CHART

Model	Description
CSG	Current/voltage signal generator

ANALOG SIGNAL GENERATOR

Ramp Function, Bar Graph LED, Selectable Auto Shut Off



The **MODEL ASG** Analog Signal Generator generates a 0 to 10 VDC signal in increments of 1 V or a 4 to 20 mA signal in increments of 2 mA. An LED bar graph visually indicates the analog signal level. Model ASG will also continuously ramp to user defined maximum and minimum values with user defined ramp interval timing.

FEATURES/BENEFITS

- LED bar graph for visibility in dark areas
- Variable ramp function timing
- Auto shut-off to conserve battery life

APPLICATIONS

- Troubleshooting transmitters and transducer
- Calibrating transducers, displays, and other analog signal devices

SPECIFICATIONS

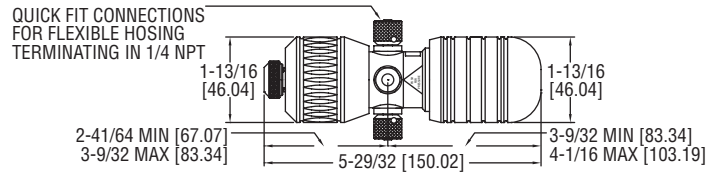
Impedance: Voltage: 1000 Ω min; Current: 300 Ω max.
Output: 0 to 20 mA (2 mA increments); 0 to 10 VDC (1 VDC increments).
Resolution: 2 mA (current). 1 VDC (voltage).
Ramping Time Intervals: 2 to 20 sec (2 sec increments).
Ambient Operating Temperature: 32 to 122°F (0 to 50°C).
Power Requirements: 9 V alkaline battery, installed functional, user replaceable or 120 VAC (provided).
Auto Shutoff Times: 2 to 20 min. (2 min. increments) (6 minute default).
Electrical Connections: 6' (1.8 m) with alligator clips.
Weight: 3.2 oz (without battery).

MODEL CHART

Model	Description
ASG	Analog signal generator

HAND PUMP

Generates Pressures up to 45 psig (3 bar), Single Hand Operation



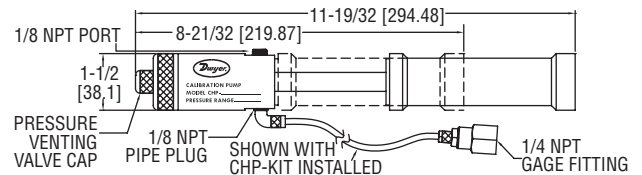
The **MODEL HP** Hand Pump provides a dual source of pneumatic pressure and vacuum for verifying the calibration of pressure instrumentation. Pump can generate pressures up to 45 psig (3 bar) and vacuum to -27 in Hg (-910 mbar). The compact pump is designed for portability and single hand operation. Model HP features a pressure relief valve and fine adjustment for control better than 0.0015 psi (0.1 mbar). Pump includes two 39" (1 m) hoses terminating in 1/4" female NPT connections and instruction manual.

MODEL CHART	
Model	Description
HP	Hand pump

ACCESSORIES	
Model	Description
HP-1K	Service kit
HP-1C	Hard case

PNEUMATIC HAND PUMP

Vacuum or Pressure, Ranges up to 100 psig



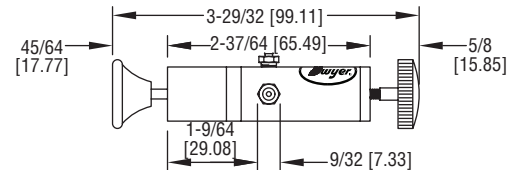
The **SERIES CHP** Pneumatic Hand Pump is the most dependable and rugged pump for applications up to 100 psi or 28.8 in Hg vacuum. The durable Acetal plastic and anodized aluminum construction prevents body heat transfer, resulting in drift-free, accurate readings. The Series CHP is equipped with oversized check valves in order to provide smooth and controlled operation. Dual O-Rings on all pistons ensure the pump to be leak-free. The unit includes a 2' L hose, 1/8" female NPT gauge fitting, and 1/8" NPT pipe plug. An optional hose kit is available so that a tee is not required when connecting a sensor and a calibrator. The Series CHP is ideal for checking calibration of pressure or vacuum gauges, switches, or transmitters.

MODEL CHART	
Model	Description
CHP-P	Pressure calibration pump
CHP-V	Vacuum calibration pump

ACCESSORY	
Model	Description
CHP-KIT	2' hose and NPT fitting

CALIBRATION PUMP

Generates up to 72 psig, Integral Bleed Fitting



The **MODEL A-396A** Calibration Pump serves as pressure source to calibrate gages and transmitters or to set pressure switches. Use with manometer or other pressure standard. Includes volume adjuster enabling fine pressure control and bleed valve. Generates pressures from a fraction of an in w.c. to 72 psig (5 bar). Includes barbed fitting, tee connector and three 36" lengths of vinyl tubing.

MODEL CHART	
Model	Description
A-396A	Calibration pump

ASPIRATOR BULB

Single Hand Operation, Vacuum or Pressure



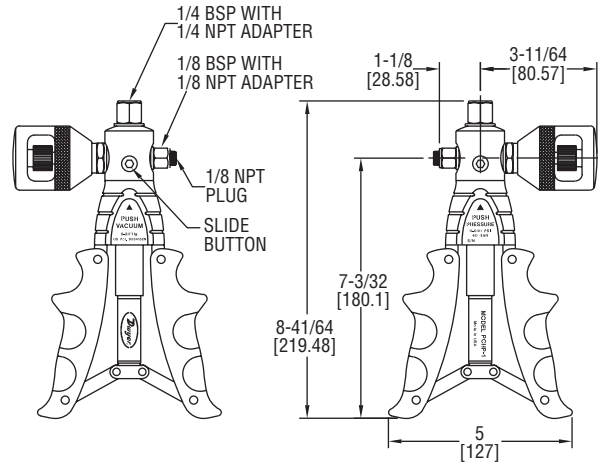
The **MODEL A-350** Aspirator Bulb can be used to source pressure for calibration and leak checking tests. Simply squeeze the bulb after the tubing is connected to generate pressure. For applications such as our CO2 indicator, the aspirator bulb can be squeezed before inserting the tubing to draw a vacuum to pull the smoke or air from a duct or stack into the gage.

MODEL CHART	
Model	Description
A-350	Aspirator bulb



PNEUMATIC CALIBRATION HAND PUMP

Generates up to 600 psi (40 bar), Comfort Grip Handles



The **SERIES PCHP** Pneumatic Calibration Hand Pump sources pressure and vacuum to check calibration of gages, switches, transmitters, and recorders. The contoured cushion handles provide extra comfort while preventing the pump from sliding.

FEATURES/BENEFITS

- Oversized check valve maintain smooth operation
- Dual O-rings on pistons ensure no leaks

APPLICATIONS

- Instrument calibration
- Laboratories
- Production areas

ACCESSORY

Model	Description
PCHP-HK	High pressure hose

SPECIFICATIONS

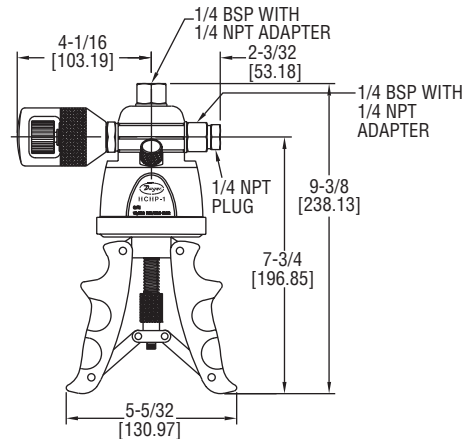
Output Ranges: -28 in Hg to 600 psi (-0.945 to 40 bar).
Process Connection: 1/4" NPT/BSP.
Gage Connection: 1/8" NPT/BSP.
Materials: SS fittings, anodized aluminum housing, plastic/rubber handles, and nitrile O-rings.
Weight: 2 lb (0.91 kg).

MODEL CHART

Model	Description
PCHP-1	Pneumatic calibration hand pump
PCHP-1K	Pneumatic calibration hand pump with hose kit

HYDRAULIC CALIBRATION HAND PUMP

Triple Filtration, Generates Pressure up to 10,000 psi (700 bar)



The **SERIES HCHP** Hydraulic Calibration Hand Pump utilizes a fully adjustable stroke control that allows for quick priming, easy pumping, and fast pressure generation up to 10,000 psi (700 bar). The ergonomically engineered handles provide extra comfort, while the triple filtration system ensures pump operation in spite of dirty conditions.

FEATURES/BENEFITS

- Oversized check valve maintain smooth operation
- Shatterproof reservoir and stainless steel construction guarantee no leaks

APPLICATIONS

- Instrument calibration
- Laboratories
- Production areas

ACCESSORY

Model	Description
HCHP-1F	Spare washer and filter kit

SPECIFICATIONS

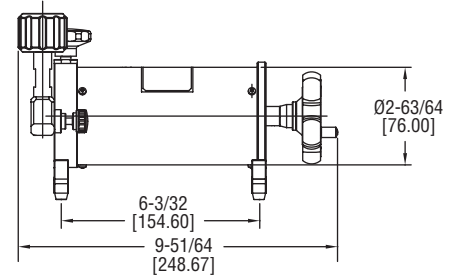
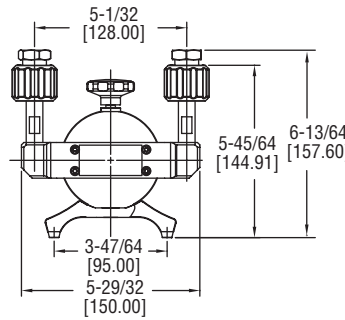
Output Ranges: 0 to 10,000 psi (0 to 700 bar).
Process Connection: 1/4" NPT/BSP.
Gage Connection: 1/4" NPT/BSP.
Materials: SS, polyurethane, anodized hard-coat aluminum, PTFE, and nitrile.
Weight: 3 lb (1.36 kg).

MODEL CHART

Model	Description
HCHP-1	Calibration hand pump
HCHP-1K	Calibration hand pump with hose kit

LOW PRESSURE CALIBRATION PUMP

High Resolution for Calibrating Low Pressure Gages and Transmitters



The **MODEL LPCP** Low Pressure Calibration Pump is a low air pressure source with the ability to easily adjust and stabilize. It is made up of quick connectors for fast instrument connect and disconnect.

FEATURES/BENEFITS

- Heat insulator between the cover and pressure chamber lessens the heat effect during micro-pressure calibration
- Highly stable adjustment

APPLICATIONS

- Instrument calibration
- Laboratories
- Production areas

MODEL CHART	
Model	Description
LPCP-2	Low pressure calibration pump

SPECIFICATIONS

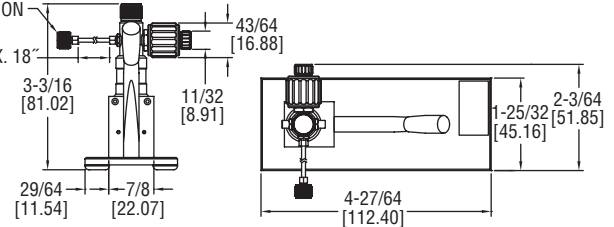
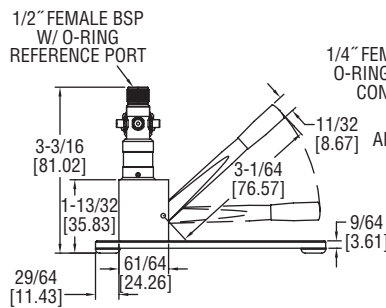
Media: Air.
Output Ranges: 5.8 psi (0.4 bar) vacuum to 5.8 psi (0.4 bar) positive pressure.
Pressure Resolution: 0.01 Pa; 0.0001 mbar.
Process Connection: M20*1.5 or 1/4" NPT.
Gage Connection: M20*1.5 or 1/4" NPT.
Material: Ram/adapters: 316 SS; Body: Steel/aluminum; Seals: Buna-N.
Weight: 2.21 lb (1.0 kg).

ACCESSORY

Model	Description
A-113A	Fitting kit. Includes (1) 1/4" NPT to 1/8" quick connect fitting, (1) 1/4" NPT to hose barb fitting, (1) hose barb fitting to 1/8" quick connect fitting, (2) 19.7" (0.5 m) length of blue 1/8" O.D. tubing, (2) 12" (0.3 m) length of clear 1/4" O.D. tubing

LOW PRESSURE CALIBRATION PUMP

Vacuum or Pressure, Generates up to 870 psi (60 bar)



The **SERIES BCHP** Low Pressure Calibration Pump is able to generate pressure and vacuum for adjusting or calibrating pressure gauges, transmitters, or switches. The pump is hand operated and has a pneumatic pressure range of -28 to 870 psi (-0.95 to 60 bar).

FEATURES/BENEFITS

- Dual pressure ports for ease of use
- Fine adjustment valve ensures precise measurements

APPLICATIONS

- Instrument calibration
- Laboratories
- Production areas

MODEL CHART	
Model	Description
BCHP-1	Calibration test pump
BCHP-KIT	Test pump with 1/4" NPT connections, fine volume adjustment tool and case

SPECIFICATIONS

Media: Air.
Output Ranges: -28 in Hg to 870 psi (-0.95 to 60 bar).
Process Connections: 1/4" female BSP
Gauge Connection: 1/2" female BSP.
Materials: Anodized aluminum, brass, and ABS.
Weight: 8.4 lb (3.8 kg).

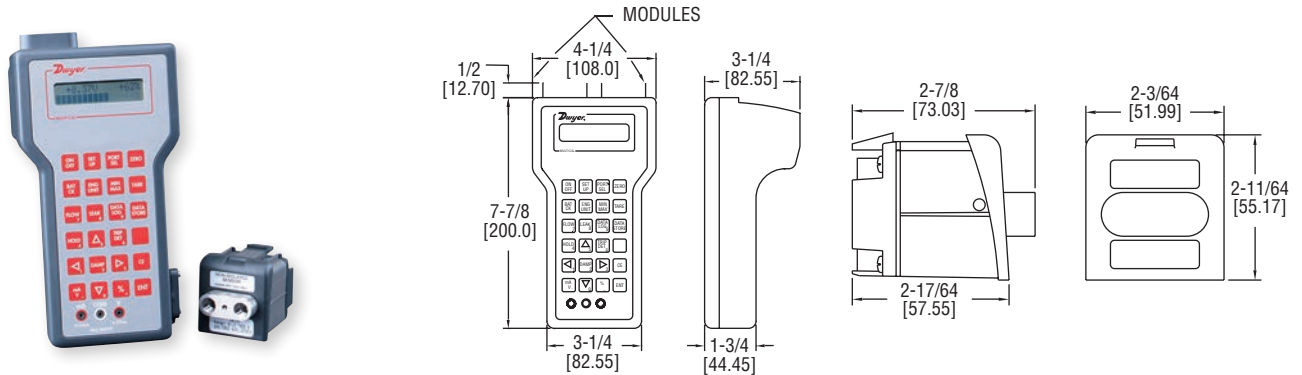
ACCESSORIES

Model	Description
A-BCHP-CASE	Case for BCHP-1
A-BCHP-NPT	1/4" BSP to 1/8" NPT, 1/4" NPT, 3/8" NPT and 1/2" NPT converter set for test connection
A-BCHP-VAT	Fine volume adjustment tool



MULTI-CAL PRESSURE CALIBRATOR

Interchangeable Ranges, $\pm 0.05\%$ Accuracy, Datalogging Capability, NIST Traceable



The **SERIES MC** Multi-Cal Pressure Calibrator performs a wide variety of pressure based measurements, test, and calibration operations. The modular design allows users to select the pressure measurement range and will simultaneously display two separate measurements on the display. Additional features include minimum/maximum readings, high/low alarms, percentage of full scale pressure readings, mA/voltage measurement, leak rate and pressure decay measurement, switch testing capabilities, and velocity/volume flow rates.

Multi-Cal Pressure Modules are interchangeable and available in a wide selection of pressure ranges and accuracies. The handheld calibrator accepts up to two pressure modules.

FEATURES/BENEFITS

- Able to store up to 384 measurements and transfer to a PC via RS-232
- NIST traceability certification included
- User selectable engineering units
- Secondary standard for calibrating pressure equipment

APPLICATIONS

- Calibration
- Laboratory
- HVAC testing and setup
- Differential pressure measurement in laminar flow hoods

MODEL CHART

Model	Description
MC2K	Handheld calibrator

MODEL CHART - MODULES

Model	Range
MC1000	0.25" H ₂ O differential pressure, ± 0.07
MC1001	0.50" H ₂ O differential pressure, ± 0.07
MC1004	5.00" H ₂ O differential pressure, ± 0.06
MC1006	25" H ₂ O differential pressure, ± 0.06
MC2010	5.0 psig gauge pressure, ± 0.05
MC2012	15.0 psig gauge pressure, ± 0.05
MC2016	100.0 psig gauge pressure, ± 0.05

Multi-cal pressure modules are interchangeable and available in a wide selection of pressure ranges and accuracies. Handheld calibrator accepts up to two pressure modules. Modules include NIST calibration certification. Consult factory for other pressure ranges and accuracies. FM approved models are also available.

SPECIFICATIONS

Service: Clean, dry, nonconductive, noncorrosive gases.

Accuracy: Differential pressure modules: $\pm 0.06\%$ FS; Gauge pressure modules: $\pm 0.05\%$ FS; Voltage input: $\pm 0.025\%$ FS @ 0/10 VDC, $\pm 0.10\%$ FS @ 0/30 VDC; Current input: $\pm 0.03\%$ FS @ 0/20 mA, $\pm 0.05\%$ FS @ 0/50 mA.

Sensitivity: $\pm 0.002\%$ of span with dampening 1 part in 50,000 (max).

Repeatability: Ranges $\leq 0/2$ psi: $\pm 0.05\%$ of span; Ranges $\geq 0/5$ psi: $\pm 0.02\%$ of span.

Output: RS-232 serial interface, 9-pin.

Alarm Output: SPST form C 110 VDC, 120 VDC (max), 1 A (max), 30 W, 62.5 VA (resistive).

Display: Alphanumeric LCD, 0.37" (9.5 mm) height per line, 2 lines, 16 characters/line.

Display Update: 100 ms.

Ambient Operating Temperature: 32 to 120°F (0 to 49°C).

Storage Temperature: -4 to 158°F (-20 to 70°C).

Process Connection: 1/8" female NPT.

Electrical Connections: Miniature recessed banana jacks.

Power Requirements: Internal: (2) 9 V alkaline batteries, included, user replaceable and VL1220 or BR1225 lithium metal battery, installed functional, user replaceable; External: AC adapter 9 VDC, 500 mA.

Battery Life: 30 hours (approximate).

Engineering Units: inH₂O, psi, inHg, kPa, mbar, cmH₂O, mmHg, and user-defined.

Overpressure: Differential pressure modules: 50 psi positive direction, 15 psi negative direction; Gauge pressure modules: 2x range (0/5 psi to 0/1000 psi).

Temperature Compensation: 20 to 120°F (-7 to 49°C).

Temperature Error: Maximum of $\pm 0.004\%$ of span per °F over compensated range for zero and span.

Temperature Effect Electrical Measurement: $\pm 0.001\%$ of span per °F over compensated range.

Dampening: (Measurement averaging) programmable from 0 to 16 consecutive readings.

Baud Rate: 300, 1200, 2400, or 9600, selectable.

Housing Material: ABS plastic.

Weight: Calibrator: 2.2 lb (1.3 kg); Pressure module: 0.5 lb (0.3 kg).

CIRCULAR CHART RECORDER

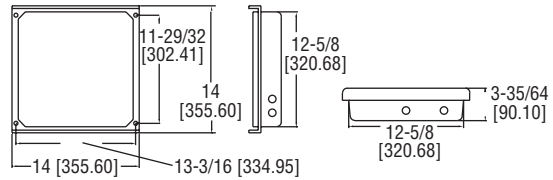
Single and Dual Pen, Adjustable Rotation, Rotation Speeds & Recording Times



LCR10



LCR20



The **SERIES LCR10 & LCR20** Circular Chart Recorders are two series of circular chart recorders with single and dual pen options. The LCR10 is a single pen recorder and the LCR20 is a dual pen. They can be easily programmed for any of six different thermocouple types, 100 ohm platinum DIN RTDs, or process inputs.

FEATURES/BENEFITS

- Uses large 10" (254 mm) circular chart to easily read data
- Available in clockwise or counter-clockwise rotation
- Available with dual pen inputs

APPLICATIONS

- Water level monitoring in water treatment
- Temperature/humidity in wood drying
- Room pressure monitoring in clean room applications

MODEL CHART			
Model	Rotation	Pen Inputs	Output
LCR10-101	Counter-clockwise	Single	No
LCR10-111	Counter-clockwise	Single	Yes
LCR10-201	Clockwise	Single	No
LCR10-211	Clockwise	Single	Yes
LCR20-101	Counter-clockwise	Dual	No
LCR20-111	Counter-clockwise	Dual	Yes
LCR20-201	Clockwise	Dual	No
LCR20-211	Clockwise	Dual	Yes

SPECIFICATIONS

Ranges: Thermocouple: Type J, K, T, R, S, B; RTD: 100 Ω platinum DIN curve (0.00385 Ω per °C); Process: 0 to 5 VDC, 250 Ω impedance, 4 to 20 mA across 250 Ω.
Chart Size: 10" (254 mm).
Accuracy: ±0.5% of span (100 division span).
Output Relay: Form C (DPDT), 1A @ 240 VAC resistive.
Chart Speed: Programmable 4, 8, 12, 24, 48, 72, 168 hour rotation (168 hours=7 days).

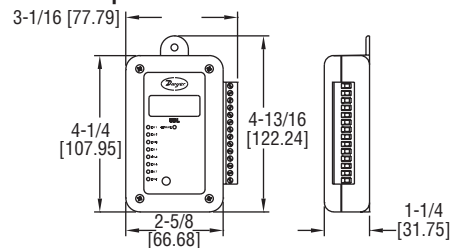
Ambient Operating Temperature/RH: 32 to 140°F (0 to 60°C); 0-90% RH (non-condensing).
Power Requirements: 110/220 VAC ±10%.
Battery Backup: 9 V alkaline battery, installed functional, user replaceable.
Power Consumption: 15 VA max.
Housing Material: Fire retardant polyphenylene ether and polystyrene PPE & PS with acrylic window.
Mounting: ±20 degrees of vertical, ±10 degrees of horizontal.
Weight: 7 lb (3.2 kg).
Agency Approvals: CE.

ACCESSORIES

Model	Description
LCR200	Chart paper, 0 to 200°F, 24 hour, CCW
LCR2007	Chart paper, 0 to 200°F, 7 day, CCW
LCR110C	Chart paper, 0 to 110°C, 24 hour, CCW
LCR-R	Red chart pens, package of 6
LCR-B	Blue chart pens, package of 6

UNIVERSAL INPUT DATA LOGGER

Internal Temperature Sensor, Optional Internal Humidity Sensor and Display, Universal Inputs



The **SERIES UDL** Universal Input Data Logger is available with 0, 2, or 4 universal inputs, each of which be configured to accept a thermocouple, RTD, thermistor, voltage, or current input. All Series UDL data loggers have an internal temperature sensor and a digital input that can be used as a trigger to start logging or as a pulse counter for interfacing with flowmeters or other sensors with a pulse output. The unit includes software, USB connection cable, and installed battery.

FEATURES/BENEFITS

- Available with 0, 2, or 4 universal inputs
- Utilizes USB port of PC as its interface
- Humidity sensor and LCD available as optional features

APPLICATIONS

- Logs process values from pressure, flow, humidity, temperature, voltage, or current transmitters

MODEL CHART	
Model	Sensors Included
UDL-000	Internal temperature sensor
UDL-100	Internal temperature sensor w/ display
UDL-010	Internal temperature/RH sensor
UDL-110	Internal temperature/RH sensor w/ display
UDL-002	Internal temperature sensor, 2 universal inputs
UDL-102	Internal temperature sensor, 2 universal inputs w/ display
UDL-012	Internal temperature sensor/RH, 2 universal inputs
UDL-112	Internal temperature sensor/RH, 2 universal inputs w/ display
UDL-004	Internal temperature sensor, 4 universal inputs
UDL-104	Internal temperature sensor, 4 universal inputs w/ display
UDL-014	Internal temperature sensor/RH, 4 universal inputs
UDL-114	Internal temperature sensor/RH, 4 universal inputs w/ display

SPECIFICATIONS

Inputs: RTD, thermocouple, thermistor, current, voltage, slidewire.
Range: Internal temperature: -22 to 158°F (-30 to 70°C); Internal RH: 0 to 100%; External temperature: -22 to 158°F (-30 to 70°C); External RH: 0 to 100%.
Accuracy: Internal temperature: ±1°F (±0.5°C); External temperature: ±1°F (±0.5°C) over 30 to 122°F (0 to 50°C), ±2°F (±1°C) over -30 to 32°F (-30 to 0°C) and 122 to 158°F (50 to 70°C); Internal/external RH: ±2.0% RH over 10% to 90%, ±4.0% RH over 0 to 10% and 90 to 100% RH.
Memory Size: 0 or 2 universal inputs: 62,000 readings; 4 universal inputs: 128,000 readings.
Resolution: All universal inputs: 16 bit; Internal & external temperature: 12 bit; Internal & external RH: 8 bit.

Sampling Method: Stop when full or continuous logging (wrap when full).
Sampling Rate: Selectable from 1 s to 24 hrs.
Computer Requirements: Windows® 98, Windows® 2000, Windows® ME, Windows NT®, Windows® XP, and Windows Vista® operating system with 16 MB RAM, one free USB port.
Power Requirements: 3.6 V AA lithium metal battery, installed functional, user replaceable.
Battery Life: 6 years (approx.).
Alarms: Programmable high/low.
Interface: USB port (cable included).
Housing Material: ABS plastic.
Weight: 5.8 oz (165 g).
Agency Approvals: CE.

ACCESSORIES

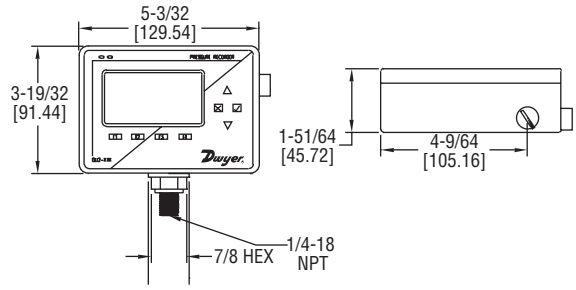
Model	Description
DL500-LITE*	Lite version Windows® operating system software
DL500**	Full version Windows® operating system software key
UDL-RH	Remote humidity probe
UDL-PS	Power supply

*Free download from website **Need lite version also



LCD PRESSURE DATA LOGGER

1/4" NPT Fitting, Records 262,143 Readings, Front Keypad



The **SERIES DLI2** accurately records pressure and gives instant remote readings. The large, back-lit LCD and 8-button keypad provide convenient access to current data and recorder setup as well as memory and battery levels. The Series DLI2 can be ordered for absolute or gauge pressure measurements up to 5,000 psi. Using the keypad or software, measurements can be read in psi, in. Hg, mm Hg, bar, atm, Torr, Pa, kPa, or MPa. The large memory capacity allows over 260,000 readings to be stored. The easy to use DL700 software makes creating permanent records, performing data calculations, and graphing of data simple. The DLI2 can easily be started and stopped from a PC or delayed to start up to six months in advance. It can also stop recording at a specific time or after a certain number of readings have been taken.

FEATURES/BENEFITS

- Efficient data capture tool to review processes are running correctly or to analyze alarm and out-of-spec conditions
- Intuitive keypad interface allows easy set-up
- PC start and stopping allows centralized control of data collection

APPLICATIONS

- Building automation
- Clean room
- Operating rooms
- Process applications
- Labs
- Regulated environments

MODEL CHART			
Model	Pressure Range	Model	Pressure Range
DLI2-A08	0 to 30 psia	DLI2-G13	0 to 300 psig
DLI2-G08	0 to 30 psig	DLI2-A14	0 to 500 psia
DLI2-A10	0 to 100 psia	DLI2-G14	0 to 500 psig
DLI2-G10	0 to 100 psig	DLI2-A15	0 to 1000 psia
DLI2-A13	0 to 300 psia	DLI2-A19	0 to 5000 psia

SPECIFICATIONS

Ranges: 0 to 30 psia (g), 0 to 100 psia (g), 0 to 300 psia (g), 0 to 500 psia (g), 0 to 1000 psia, and 0 to 5000 psia depending on the model.
Memory Size: 262,143 readings.
Accuracy: 2% FSR, 0.25% at 77°F (25°C) typical.
Resolution: 0.002 psi (30 psi), 0.005 psi (100 psi), 0.02 psi (300 psi), 0.05 psi (500 and 1000 psi), and 0.2 psi (5000 psi) depending on model.
Sampling Method: Stop on memory full or continuous recording.
Sampling Rate: Selectable from 2 s to 12 hrs.
Computer Requirements: Windows® 95, Windows® 98, Windows® 2000, Windows® ME, Windows NT®, or Windows® XP operating system, and one free USB port.
Power Requirements: (6) AA alkaline batteries, installed functional, user replaceable.
Battery Life: 1 yr (approx).
Interface: USB port (interface cable required).
Housing Material: Black anodized aluminum case.
Wetted Material: 316L SS.
Weight: 40 oz (1134 g).
Agency Approvals: CE.

ACCESSORIES

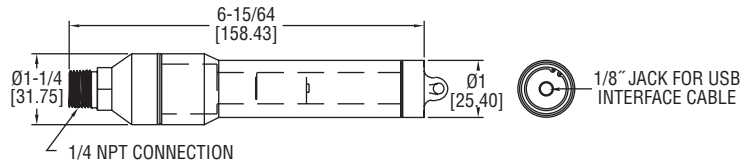
Model	Description
DL700	Software, manual and USB interface cable
DLI-120	9 V power adapter (North America)
DLI-230	9 V power adapter (Europe)

Windows®, Windows NT®, and Windows Vista® are registered trademarks of Microsoft Corporation.



PRESSURE/TEMPERATURE DATA LOGGER

1/4" NPT Fitting, Up to 5000 PSIA



The **SERIES DLP** Data Logger can record pressure and temperature. The 1/4" NPT fitting comes standard and allows the logger to be adapted to almost any pressure fitting. The internal temperature sensor provides accurate temperature measurements without the need of a separate temperature recorder, and many of the models provide a choice between measuring pressure in psia or psig. The DLP can easily be started and stopped from a PC or delayed to start up to six months in advance. The battery-powered data logger can store over 16,000 measurements per channel, and the easy to use DL700 software makes retrieving data simple.

FEATURES/BENEFITS

- Efficient data capture tool to review processes are running correctly or to analyze alarm and out-of-spec conditions
- Battery-powered reduces need to hard wire power allowing device to be used in a as a tool in a variety of in-and-out testing
- PC start and stopping allows centralized control of data collection

APPLICATIONS

- Building automation
- Clean room
- Operating rooms
- Process applications
- Labs
- Regulated environments

MODEL CHART			
Model	Pressure Range	Model	Pressure Range
DLP-A08	0 to 30 psia	DLP-G13	0 to 300 psig
DLP-G08	0 to 30 psig	DLP-A14	0 to 500 psia
DLP-A10	0 to 100 psia	DLP-G14	0 to 500 psig
DLP-G10	0 to 100 psig	DLP-A15	0 to 1000 psia
DLP-A13	0 to 300 psia	DLP-A19	0 to 5000 psia

SPECIFICATIONS

Range: Temperature: -40 to 176°F (-40 to 80°C); Pressure: 0 to 30 psia(g), 0 to 100 psia(g), 0 to 300 psia(g), 0 to 500 psia(g), 0 to 1000 psia, and 0 to 5000 psia depending on the model.
Memory Size: 16,383 readings per channel.
Accuracy: Temperature: ±0.9°F (±0.5°C); Pressure: 2% FSR, 0.25% at 77°F (25°C) typical.
Resolution: Temperature: 0.2°F (0.1°C); Pressure: 0.002 psia(g), 0.005 psia(g), 0.05 psia(g), 0.05 psia, and 0.2 psia depending on the model.
Sampling Method: Stop on memory full.
Sampling Rate: Selectable from 2 s to 12 hrs.
Computer Requirements: Windows® 95, Windows® 98, Windows® 2000, Windows® ME, Windows NT®, and Windows® XP operating system, one free USB port.
Power Requirements: 3.6 V TL2150 lithium metal battery, installed functional, user replaceable.
Battery Life: 1 yr (approx).
Interface: USB port (interface cable required).
Material: 303 SS.
Weight: 12 oz (340 g).
Agency Approvals: CE.

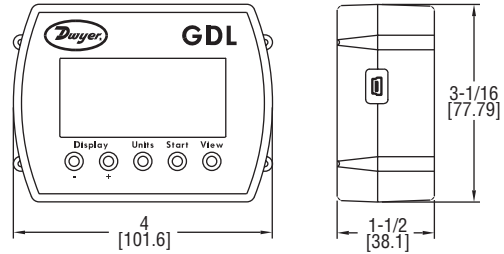
ACCESSORIES

Model	Description
DL700	Software, manual and USB interface cable
TL-2150	Replacement battery for Series DLP

Windows® is a registered trademark of Microsoft Corporation

GRAPHICAL DISPLAY DATA LOGGER

Measure Temperature, Humidity and Dew Point, Instant Display



The **MODEL GDL** Graphical Display Data Logger can record and instantly display temperature, humidity, and dew point trends in a text or graphic format. The GDL has internal temperature and humidity sensors while the GDL-T accepts up to 3 external temperature sensors. With the included Windows® based software, the user can select the sampling interval, high/low alarms, logging channels, and recording start time. Over 40,000 data points can be recorded and the measured data stays secure with a recording session counter and password-protected calibration.

FEATURES/BENEFITS

- Measurements displayed in text or graph
- Able to record over 40,000 data points and download them to a PC
- Includes logging summary with details of the sample rate and memory status

APPLICATIONS

- Greenhouses/florists
- Medical storage facilities
- Refrigeration systems
- Wine storage

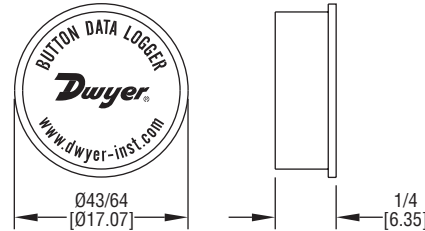
MODEL CHART	
Model	Description
GDL	Temperature/humidity data logger
GDL-T	Four temperature sensor data logger

SPECIFICATIONS	
Memory Size: 43,344 temperature; 21,672 temperature, RH and dew point.	Sampling Rate: 1 s to 18 hrs, 1 s increments.
Temperature Range: 15 to 150°F (-10 to 65°C).	Computer Requirements: Windows® 98 and above (software included).
Temperature Accuracy: ±1°F (±0.5°C).	Power Requirements: (3) AA alkaline batteries, installed functional, user replaceable.
Temperature Resolution: 0.01°F (0.01°C).	Alarms: Programmable high/low.
Humidity Range: 0 to 99% RH.	Interface: USB port (cable included).
Humidity Accuracy: ±2% RH, from 10 to 90% RH.	Weight: 7 oz (20 g).
Humidity Resolution: 0.01% RH.	Agency Approvals: CE.
Sampling Method: Stop on memory full or continuous recording.	

Windows® is a registered trademark of Microsoft Corporation

BUTTON DATA LOGGER

Self-Powered, Compact Size, USB Interface



The **SERIES BDL** Button Data Logger records temperature and humidity in applications where size and cost effectiveness are vital. Housed in a compact stainless steel case, the BDL is durable in hostile environments, while also being able to be inserted in small items and packages. The Series BDL-K Logger Kit includes 2 buttons, 2 magnets, an interface cable, and a plastic button holder.

FEATURES/BENEFITS

- Compact to fit in small areas and durable to work in hostile environments
- Self-powered unit gives no need for external power supply
- Magnetic mounting for quicker installation

APPLICATIONS

- Food processing verification
- HVAC system testing and balancing.
- Pharmaceutical storage
- Transportation of temperature sensitive goods

MODEL CHART		
Model	Input Type	Kit
BDL-1	Temperature	No
BDL-2	Temperature/humidity	No
BDL-K1	Temperature	Yes
BDL-K2	Temperature/humidity	Yes

SPECIFICATIONS	
Range: BDL-1: -40 to 185°F (-40 to 85°C); BDL-2: -4 to 185°F (-20 to 85°C), 0 to 100% RH.	Sampling Rate: BDL-1: Selectable from 1 to 255 min; BDL-2: Selectable from 1 s to 24 hrs.
Memory Size: BDL-1: 2048 readings; BDL-2: 4096 temperature and 4096 humidity readings (low resolution), 2048 temperature and 2048 humidity readings (high resolution).	Computer Requirements: Windows® 98, Windows® 2000, Windows® ME, Windows NT®, Windows® XP, and Windows Vista® operating system with 16 MB RAM, one free USB port.
Accuracy: BDL-1: ±1.5°F (±1°C) from -22 to 158°F (-30 to 70°C); BDL-2: ±0.9°F (±0.5°C) from 14 to 158°F (-10 to 70°C), ±5% RH.	Power Requirements: 3 V lithium metal battery, internal, non-replaceable.
Resolution: BDL-1: 8 bit; BDL-2: 8 or 11 bit.	Battery Life: BDL-1: 10 years (approx); BDL-2: 5 years (approx).
Sampling Method: Stop on memory full or continuous recording.	Alarms: Programmable high/low.
	Interface: USB port (cable included).
	Housing Material: 305 SS.
	Weight: 0.14 oz (4 g).
	Agency Approvals: CE.

ACCESSORIES	
Model	Description
DL500-LITE*	Lite version Windows® operating system software
DL500**	Full version Windows® operating system software key
BDL-SIL	Weatherproof silicone housing (5 pk)
BDL-WALL	Wall mounting bracket (5 pk)
BDL-CLIP	Plastic button holder (5 pk)

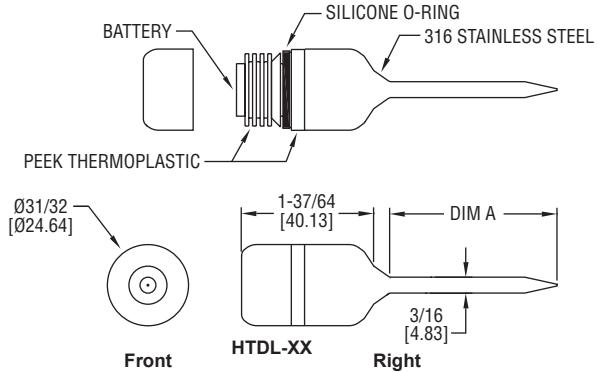
*Free download from website **Need lite version also

Windows®, Windows NT®, and Windows Vista® are registered trademarks of Microsoft Corporation.



HIGH TEMPERATURE DATA LOGGER

Submersible, Continuous Recording, User Replaceable Battery



The **MODEL HTDL-20/30** is a high temperature data logger that can measure temperatures up to 500°F (260°C) and record up to 32,700 measurements.

FEATURES/BENEFITS

- Submersible and portable
- Temperature measurement up to 500°F
- Remote probe option for chamber or oven logging
- Delay startup timer

APPLICATIONS

- Thermal testing
- Process monitoring or troubleshooting

MODEL CHART	
Model	Description
HTDL-20	High temperature data logger with 2" rigid probe
HTDL-30	High temperature data logger with 24" flexible probe

SPECIFICATIONS	
Range: -328 to 500°F (-200 to 260°C).	Computer Requirements: Windows® Xp Sp3, Windows Vista®, Windows® 7 operating systems.
Memory Size: 32,700 readings.	Power Requirements: 3.6 V 1/2 AA ER14250SM lithium metal battery, installed functional, user replaceable.
Accuracy: 0.18°F (0.1°C) @ 68 to 284°F (20 to 140°C); 0.54°F (0.3°C) @ -4 to 67.98°F (-20 to 19.99°C).	Battery Life: 1 year (approx).
Resolution: 0.02°F (0.01°C).	Interface: Docking station and USB cable.
Temperature Limits: -4 to 284°F (-20 to 140°C).	Housing Material: 316 SS.
Sampling Method: Stop on memory full or continuous recording.	Weight: 4.2 oz (120 g).
Sampling Rate: Selectable from 1 sec to 24 hrs.	Agency Approvals: CE.

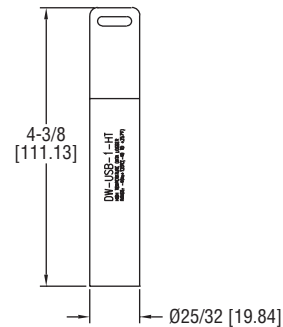
ACCESSORIES	
Model	Description
HTDL-DS	Docking station, software, manual and USB interface
ER1425S-HT	Replacement battery

Windows® and Windows Vista® are registered trademarks of Microsoft Corporation.



HIGH TEMPERATURE USB DATA LOGGER

316 SS Construction, Up To 32,510 Readings



The **MODEL DW-USB-1-HT** High Temperature USB Data Logger allows users to monitor temperatures up to 257°F (125°C). The rigid, stainless steel enclosure protects the sensor against corrosion, impact, and water ingress.

FEATURES/BENEFITS

- Easy to use configuration software
- Integral USB plug
- 316 SS housing

APPLICATIONS

- Thermal testing
- Process monitoring or troubleshooting

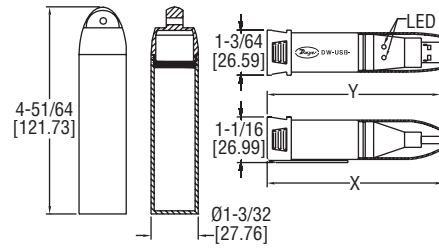
MODEL CHART	
Model	Description
DW-USB-1-HT	High temperature USB data logger

SPECIFICATIONS	
Range: -40 to 257°F (-40 to 125°C).	Power Requirements: 3.6 V 2/3 AA lithium metal battery, included, user replaceable.
Accuracy: ±1°F (±0.5°C).	Battery Life: Approximately 1 to 3 years.
Resolution: 0.2°F (0.1°C).	Housing: 316 SS.
Memory Size: 32,510 readings.	Enclosure Rating: IP67/NEMA 4X.
Sampling Mode: Continuous or stop on memory full.	Alarms: Programmable high/low.
Sampling Rate: Selectable from 1 s. to 12 hours.	Interface: USB port.
Computer Requirements: Windows® 2000, Windows® XP, Windows Vista®, and Windows® 7; 32 or 64-bit operating systems.	Weight: 4.6 oz (130.4 g).
	Agency Approvals: CE.

Windows® and Windows Vista® are registered trademarks of Microsoft Corporation.

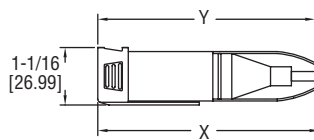
COMPACT USB DATA LOGGER

Measure Temperature, Humidity, Dew Point, Current, Voltage, or Carbon Monoxide

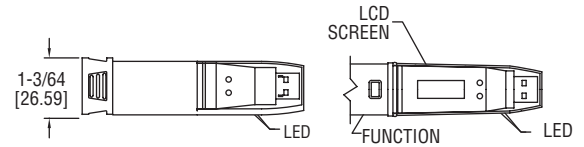


Model DW-USB-CASE Model DW-USB-X

Model	Overall Length (X)	Overall Length (Y)	Body/Clip	Cap	LED
DW-USB-1	3-55/64"	3-55/64"	Standard	Standard	Clear/red
DW-USB-2, -2-HA	4-1/16"	4-1/16"	Vented	Standard	Clear/clear
DW-USB-3	4-27/64"	4-27/64"	Standard	Black tip term block	Red/green
DW-USB-4	4-27/64"	4-27/64"	Standard	Blue tip term block	Red/green
DW-USB-5, -5-LR	4-59/64"	4-59/64"	Vented	Red tip CO sensor	Red/green
DW-USB-6	4-21/32"	4-21/32"	Standard	Standard	Red/green



Model DW-USB-X



Model DW-USB-X-LCD

Model	Overall Length (X)	Overall Length (Y)	Body/Clip	Cap	LED
DW-USB-2-LCD	4-31/32"	4-57/64"	Vented/no clip	Transparent	Red/green
DW-USB-2-HA-LCD	4-31/32"	4-57/64"	Vented/no clip	Transparent	Red/green
DW-USB-6-LCD	5-19/64"	5-15/64"	Plug in bottom/no clip	Transparent	Red/green

The **SERIES DW-USB** Compact USB Data Logger allows users to monitor temperature, humidity, dew point, voltage, current, or carbon monoxide almost anywhere, and then download stored data by simply plugging the module directly into a PC's USB port. The compact housing can resist moisture up to IP67 when the protective cap is attached, and has built in LED's to indicate an alarm has been met or the battery is low. Using the included Windows® based software, users can set the sampling rate, start time, high/low alarms, and temperature unit.

FEATURES/BENEFITS

- Meets IP67 standards when the protective cap is fitted
- All in one unit plugs into PC with no cable required
- LED status indicators for visual confirmation
- Optional integral LCD display for local indication

APPLICATIONS

- Calibration labs
- Environmental chambers
- Pharmaceutical plants
- Storage warehouses

SPECIFICATIONS

<p>Memory Size: 16,382 temperature; 16,382 each temperature and RH; 32,764 readings for voltage, current, and thermocouple; and 32,510 for carbon monoxide.</p> <p>Sampling Mode: Stop on memory full.</p> <p>Sampling Rate: Selectable from 10 s to 12 hrs (DW-USB-1, DW-USB-2, DW-USB-2-HA), 1 s to 12 hrs (DW-USB-3, DW-USB-4, DW-USB-5, DW-USB-5-LR;) and 10 s to 5 min (DW-USB-6).</p>	<p>Computer Requirements: Windows® 98, Windows® 2000, Windows® XP, Windows NT®, Windows® 7 or Windows Vista® 32-bit or 64-bit operating systems.</p> <p>Power Requirements: 3.6 V 1/2 AA lithium metal battery, included, user replaceable.</p> <p>Housing: ABS plastic blend.</p> <p>Alarms: Programmable high/low.</p> <p>Interface: USB port.</p> <p>Weight: 1.5 oz (43 g).</p> <p>Agency Approvals: CE.</p>
--	--

ACCESSORIES

Model	Description
DW-USB-CASE	Waterproof case for DW-USB-1
1818-0074	Immersion temperature probe
1818-0078	Penetration temperature probe
1818-0082	Surface temperature probe
1818-0085	Air duct temperature probe
1718-0077	Remote temperature probe handle

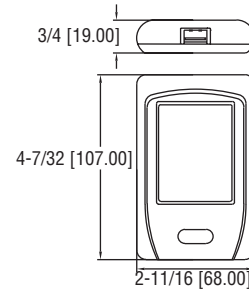
MODEL CHART

Model	Input	Range	Accuracy	Resolution
DW-USB-1	Temperature	-31 to 176°F (-35 to 80°C)	±2°F (±1°C)	1°F (0.5°C)
DW-USB-2	Temperature/humidity/dew point	-31 to 176°F (-35 to 80°C), 0 to 100% RH	±1°F (±0.5°C), 3% RH	1°F (0.5°C), 0.5% RH
DW-USB-2-HA	High accuracy temperature/humidity/dew point	-31 to 176°F (-35 to 80°C), 0 to 100% RH	±0.6°F (±0.3°C), 2% RH	1°F (0.5°C), 0.5% RH
DW-USB-3	Voltage	0 to 30 VDC	±1%	50 mVDC
DW-USB-4	Current	4 to 20 mA	±1%	0.05 mA
DW-USB-5	Carbon monoxide	0 to 1000 ppm	±6%	0.5 ppm
DW-USB-5-LR	Low range carbon monoxide	0 to 300 ppm	±4%	0.5 ppm
DW-USB-6	Thermocouple	J-type: -202 to 1652°F (-130 to 900°C); K-type: -328 to 2372°F (-200 to 1300°C); T-type: -328 to 662°F (-200 to 350°C)	±1.5°F (±1°C)	0.9°F (0.5°C)
DW-USB-2-LCD	Temperature/humidity/dew point	-31 to 176°F (-35 to 80°C), 0 to 100% RH	±1°F (±0.5°C), ±3% RH	1°F (0.5°C), 0.5% RH
DW-USB-2-HA-LCD	High accuracy temperature/humidity/dew point	-31 to 176°F (-35 to 80°C), 0 to 100% RH	±0.6°F (±0.3°C), ±2% RH	1°F (0.5°C), 0.5% RH
DW-USB-6-LCD	Thermocouple	J-type: -202 to 1652°F (-130 to 900°C) K-type: -328 to 2372°F (-200 to 1300°C) T-type: -328 to 662°F (-200 to 350°C)	±2°F (±1°C)	1°F (0.5°C), 0.5% RH

Windows®, Windows NT®, and Windows Vista® are registered trademarks of Microsoft Corporation.

HANDHELD PORTABLE DATA VIEWER

Works With DW-USB Data Logger



The **MODEL DW-DATAPAD** Handheld Portable Data Viewer configures and reads data from up to 500 DW-USB data loggers and utilizes a 2.8" full color TFT touch screen display. Data can be displayed as a trend graph or a statistical summary, and can also be transferred to a computer using the provided cable and Windows® based software. Model DW-DATAPAD features a rechargeable lithium battery and has an average life of 5 to 8 hours under constant use.

FEATURES/BENEFITS

- 2.8" full color TFT touch screen simplifies navigation through configuration menus
- Rechargeable lithium battery has a 5 to 8 hour life when constantly used

APPLICATIONS

- Calibration labs
- Environmental chambers
- Pharmaceutical plants
- Storage warehouses

MODEL CHART

Model	Description
DW-DATAPAD	Handheld portable data viewer for Dwyer USB data loggers

SPECIFICATIONS

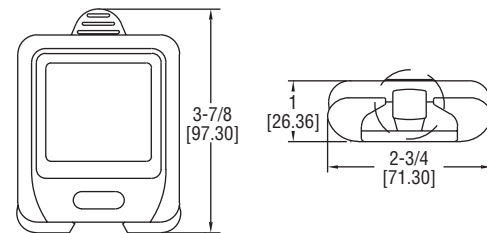
Data Recording Capacity: Internal flash memory, greater than 8.5 million readings.
Battery life: 5 to 8 hours (constant use).
Operating Temperature Range: 0 to 50°C (32 to 122°F).
Power Requirements: CA374170 lithium ion battery, installed functional, factory replaceable.
Display: 2.8" full color TFT touch screen LCD display.
Resolution: 240 X 320.
Interface: Touch screen and single front-panel push-button power switch.

Connections: 1 USB type A socket (top of unit) for data logger connection. 1 micro-USB (bottom of unit) for connection of unit to PC via supplied USB cable.
Compatible Data Loggers: DW-USB-1, DW-USB-1-HT, DW-USB-1-LCD, DW-USB-2, DW-USB-2-HA, DW-USB-2-HA-LCD, DW-USB-2-LCD, DW-USB-6, DW-USB-6-LCD, and DW-USB-LITE.
Weight: 3.9 oz (111 kg).
Agency Approvals: CE.

Windows® is a registered trademark of Microsoft Corporation.

WIRELESS WI-FI DATA LOGGER

Measures Temperature/Humidity, Integral LCD



The **SERIES DW-WIFI** Wireless Wi-Fi Data Logger measures and records up to 1,000,000 temperature and/or humidity readings and shares the data with any PC or server on the same Wi-Fi network. If the Wi-Fi connection is lost, the sensor will continue to store any records until it can regain communication with the network. The downloadable Windows® based software allows users to set high/low alarms, sampling rate, and the temperature scale.

FEATURES/BENEFITS

- Continues to record values even if Wi-Fi connection is lost
- Able to record up to 1,000,000 data points, which can be downloaded to a PC
- Large LCD allows users to view data directly from unit

APPLICATIONS

- Building/site monitoring
- Environment monitoring
- Weather monitoring

MODEL CHART

Model	Input	Range	Accuracy (Typ.)	Display Resolution
DW-WIFI-T	Internal temperature	-4 to 140°F (-20 to 60°C)	±1.0°F (±0.5°C) @ 14 to 122°F (-10 to 50°C)	0.1°F (0.1°C)
DW-WIFI-TH	Internal temperature/humidity	-4 to 140°F (-20 to 60°C), 0 to 100% RH	±0.6°F (±0.3°C) @ 41 to 140°F (5 to 60°C) ±2.5% RH @ 20 to 80% RH	0.5°F (0.5°C) 1.0% RH
DW-WIFI-TP	Remote temperature probe	-40 to 257°F (-40 to 125°C)	±1.2°F (±0.6°C) @ 14 to 158°F (-10 to 70°C)	0.1°F (0.1°C)
DW-WIFI-TC	Remote thermocouple	-454 to 2372°F (-270 to 1300°C)*	±3.0°F (1.5°C)	0.1°F (0.1°C)
DW-WIFI-T-HA	Internal temperature	-4 to 140°F (-20 to 60°C)	±0.2°F (±0.1°C) @ 14 to 140°F (-10 to 60°C)	0.1°F (0.01°C)
DW-WIFI-TH-HA	Internal temperature/humidity	-4 to 140°F (-20 to 60°C), 0 to 100% RH	±0.4°F (±0.2°C) @ 41 to 140°F (5 to 60°C) ±2.5% RH @ 10 to 90% RH	0.5°F (0.5°C) 1.0% RH
DW-WIFI-TP-HA	Remote temperature probe	-40 to 257°F (-40 to 125°C)	±0.2°F (±0.1°C) @ 14 to 158°F (-10 to 70°C)	0.01°F (0.01°C)

*Probe dependent

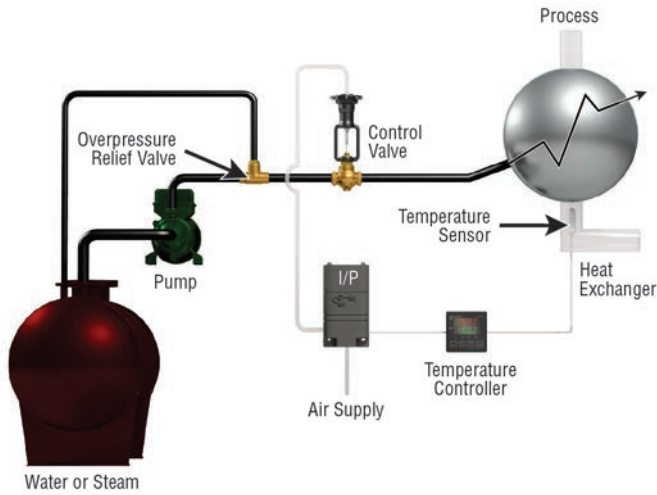
SPECIFICATIONS

Memory Size: 1,000,000 readings; 500,000 each for DW-WIFI-TH(-HA).
Sampling Mode: Continuous recording.
Sampling Rate: Selectable from 10 s to 12 hr.
Transmission Rate: Selectable from 1 min to 24 hr.
Temperature Limits: -4 to 140°F (-20 to 60°C).
Power Requirements: 3.7 V lithium ion battery, installed functional, factory replaceable (cable for charging included).
Alarms: Programmable high/low.
Interface: Wi-Fi connection.
Probe Length: DW-WIFI-TP: 11.8" (30 cm); DW-WIFI-TC: 59" (150 cm).
Weight: 7.2 oz (204 g).
Agency Approvals: CE.

TYPICAL APPLICATIONS
page 360

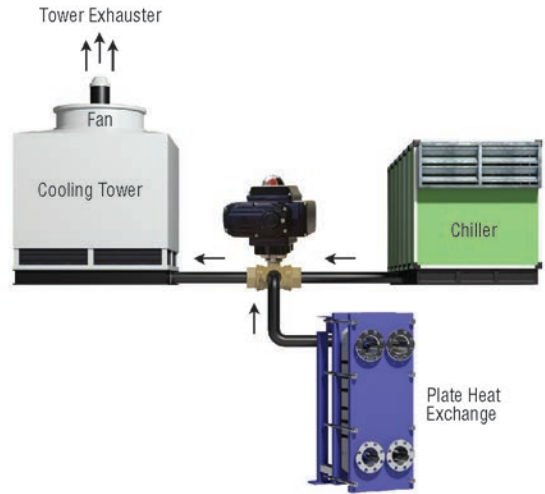
TECHNICAL INFORMATION
page 361





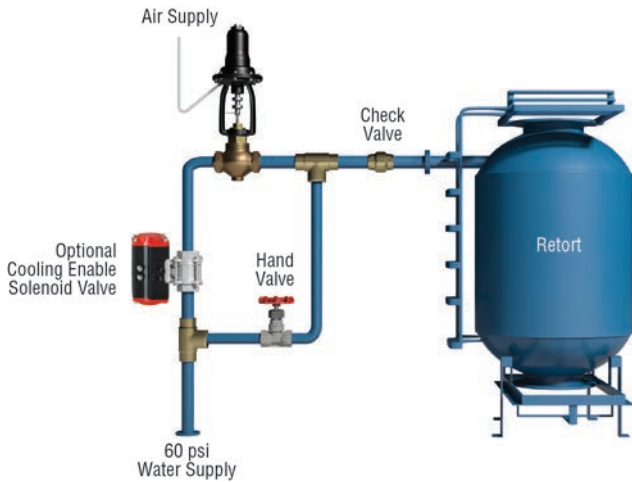
Process temperature control using pneumatic Hi-Flow™ control valves.

Pneumatic Hi-Flow™ control valves provide excellent control with high flow, wide rangeability and tight shutoff capabilities. The dispensing application shown uses a Lin-E-Aire® pneumatic actuator, operating off standard 3-15 psi control air signals, and a Hi-Flow™ linear control valve that apportions steam or water to a user process. The valve regulates cooling water or steam flow depending on the process requirement resident in the temperature controller program. This package can be provided with a Precisor® positioner and Proximity position transmitter which provides an excellent process control application problem solution.



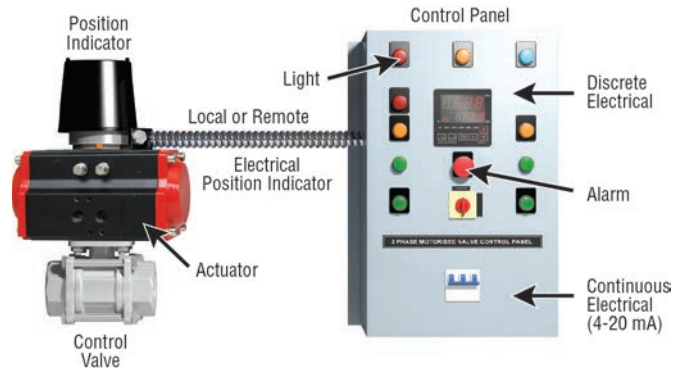
Water-side Economizer System includes 3ABV 3-way ball valve for accurate control of flow.

To ensure efficient utilization of cold water in HVAC systems, 3ABV 3-way ball valves are called upon to modulate flow. This common "water-side economizer" allows water from the plate heat exchanger to be diverted directly to the cooling tower if the temperature is cool enough, instead of coming directly from the condenser on the chiller.



Quick response Hi-Flow™ valves control water flow in cooling process.

Dependable W.E. Anderson Hi-Flow™ control valves with Lin-E-Aire® air-to-raise actuators combine to provide unsurpassed water flow management. This retort system employs the Hi-Flow™ valve because of its excellent control capabilities, which are necessary for this application. After the cooking process, the valve is opened slowly. Once the desired temperature has been reached, the supply is shut off and any additional cooling is done by use of the hand valve.



Proximity™ Mark Series valve position indicator is perfect for valve position indication on offshore oil rigs.

Proximity Mark Series position indicator is utilized in valve automation packages in harsh environments. The Mark Series mounts onto the top of rotary valve actuators and connects to the actuator shaft or attaches to the shaft of a linear valve for indicating valve position. Standard with the Mark Series is visual position indication with "OPEN", "CLOSED", and degree position status. The Mark Series is available with continuous position retransmission with a 4 to 20 mA output and up to six adjustable position indication switches for remote indication of valve status. Remote status transmitter is used for indication of exact valve position and switches provide discrete indication of valve open and closed status in the control room. The Mark Series is perfect for this application because of the 316 SS enclosure that withstands the sea spray environment, and the magnetic drive mechanism that completely seals the switch cavity from the environment.

TERMINOLOGY

- **Pressure Drop** – The difference in upstream and downstream pressures of the fluid flowing through the valve.
- **Critical Flow** – The flow has reached the point of being choked. At the choked condition the flow rate has hit a maximum limit and does not increase with further increase in pressure drop across the valve.
- **Cv or Valve Flow Coefficient** – The number of U. S. gallons per minute of water at 60°F that will pass through the valve with a pressure drop of 1 psi. For example, a Hi-Flow™ valve with a maximum Cv of 10.75 has an effective port area in the full open position such that it passes 10.75 GPM of water with a pressure drop of 1 psi.
- **Full Port** – The port diameter of the valve is the same diameter as the piping connections.
- **Rangeability** – The ratio of maximum controllable flow to minimum controllable flow of a valve. For example, a valve with a 50 to 1 rangeability and a total flow capacity of 100 GPM at full open controls flow accurately to as low as 2 GPM.
- **Valve Flow Characteristic** – The relationship between the stem travel or rotation of a valve, expressed in percent travel, and the fluid flow through the valve, expressed in percent of full flow.

CONTROL VALVE SIZING



Scan here to watch product video

The Cv method is an accepted way to size control valves. Basic equations are provided as a guide to use in sizing a control valve, and the results of the equations will only be as accurate as the information provided of the flowing conditions. The equations are broken down into the type of media - liquid, gas or steam, and whether or not the flow is critical. The critical flow equations are to be used for vapor flow when the pressure drop across the valve is greater than half of the upstream pressure. As a general guide to avoid cavitation do not size a valve for liquid service where the pressure drop is greater than 50% of the upstream pressure.

CONTROL VALVE ACTUATOR SIZING



Scan here to watch product video

CONTROL VALVE FLOW



Scan here to watch product video

NOMENCLATURE

- Cv = Valve flow coefficient
- g = Specific gravity of liquid at flowing conditions
- G = Specific gravity of gas at flowing conditions
- P1 = Upstream pressure, psia
- P2 = Downstream pressure, psia
- ΔP = Actual pressure drop (P1-P2), psi
- q = Liquid volumetric flow rate, U.S. GPM
- Q = Gas volumetric flow rate, SCFH
- W = Steam weight (mass) flow rate, LB/HR
- T = Flowing Temperature, °R (460 + °F)

Once the required Cv is determined, selection of the proper size control valve can be obtained by comparing the required Cv to the Cv values for the valve. As a general rule the maximum capacity of a control valve should be 15 to 50% above the maximum process flow, and the minimum required Cv must be within the available rangeability of the valve for proper control. If only the maximum process flow rate was used to calculate Cv, then the percent travel of the valve should be checked and should fall in the range of 65 to 80% of total travel.

SUB-CRITICAL FLOW

$$\text{Liquid } C_v = q \left(\frac{g}{\Delta P} \right)^{1/2}$$

$$\text{Gas } C_v = \frac{Q}{963} \left(\frac{G \times T}{\Delta P (P_1 + P_2)} \right)^{1/2}$$

$$\text{Steam } C_v = \frac{W}{2.1 [\Delta P (P_1 + P_2)]^{1/2}}$$

CRITICAL FLOW

$$\text{Gas or steam where } \Delta P > \frac{P_1}{2}$$

$$C_v = \frac{Q (G \times T)^{1/2}}{750 \times P_1}$$

$$C_v = \frac{W}{1.65 \times P_1}$$

2-PIECE NPT STAINLESS STEEL BALL VALVE

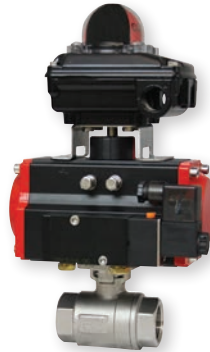
Full Port, Vented Ball, Electric or Pneumatic Actuators



WE01-EHD00



WE01-EDA02



WE01-EDA02-AA05



WE01-ETD01-A



WE01-ETI02-A



Scan here
to watch
product video

The **SERIES WE01** incorporates a full port 2-piece SS ball valve for great flow rates with minimal pressure drop. The valve features a blowout proof stem for added safety, reinforced PTFE seats and seals for longer life, and a 316 SS (ASTM CF8M) ball for better performance. Actuators are direct mounted creating a compact assembly for tight spaces. Limit switches are able to be mounted directly to the valves allowing for remote position indication.

The Series WE01 can be configured with either an electric or pneumatic actuator. Electric actuators are available in weatherproof or explosion-proof, a variety of supply voltages and two-position or modulating control. Two-position actuators use the supply voltage to drive the valve open or closed, while the modulating actuator accepts a 4 to 20 mA input for valve positioning. Actuators feature thermal overload protection and permanently lubricated gear train.

The pneumatic double acting actuator uses an air supply to drive the valve open and closed. The actuator has two supply ports, with one driving the valve open and the other driving the valve closed. Spring return pneumatic actuators use the air supply to open the valve and internally loaded springs return the valve to the closed position. Also available is the SN solenoid valve to electrically switch the air supply pressure between the air supply ports for opening and closing the valve. Actuators are constructed of anodized and epoxy coated aluminum for years of corrosion free service.

FEATURES/BENEFITS

- Capable of being configured to fit any application
- Limit switches can be mounted to manual valves for remote monitoring
- Vented ball to reduce operating torque
- Weatherproof or explosion-proof electric actuators
- Double acting or spring return anodized aluminum pneumatic actuators
- Full port design reduces the pressure drop across the valve

APPLICATIONS

- Gas or liquid flow control
- Ideal for quick bubble tight shut-off

SPECIFICATIONS

VALVE

Service: Compatible liquids and gases.

Body: 2-piece.

Line Sizes: 1/2 to 3".

End Connections: Female NPT.

Pressure Limits: 28" Hg to 1000 psi (-0.7 to 69 bar) up to 250°F.

Wetted Materials: Body and Ball: 316 SS (CF8M); Stem: 316SS; Seat: RTFE/PTFE; Seal, Washer and Packing: PTFE.

Temperature Limits: -20 to 392°F (-29 to 200°C).

Other Materials: O-ring: Fluoroelastomer; Handle: 304 SS; Washer: 301 SS; Stem Nut, Locking Device, Gland Ring: 304SS; Handle Sleeve: PVC.

ACTUATORS

Pneumatic "DA" and "SR" Series

Type: DA series is double acting and SR series is spring return (rack and pinion).

Normal Supply Pressure: DA: 40 to 115 psi (2.7 to 7.9 bar); SR: 80 psi (5.5 bar).

Maximum Supply Pressure: 120 psi (8.6 bar).

Air Connections: DA01: 1/8" female NPT; DA02 to DA05: 1/4" female NPT; SR02 to SR07: 1/4" female NPT.

Housing Material: Anodized aluminum body and epoxy coated aluminum end caps.

Temperature Limits: -40 to 176°F (-40 to 80°C).

Accessory Mounting: NAMUR standard.

Electric "TD" and "MD" Series

Power Requirements: 110 VAC, 220 VAC, 24 VAC or 24 VDC (MD models not available in 24 VDC).

Power Consumption: See instruction manual.

Cycle Time (per 90°): TD01 4 s; MD01: 10 s; TD02 and MD02: 20 s; TD03 and MD03: 30 s.

Duty Rating: 85%.

Enclosure Rating: NEMA 4X (IP67).
Housing Material: Powder coated aluminum.

Temperature Limits: -22 to 140°F (-30 to 60°C).

Electrical Connection: 1/2" female NPT.

Modulating Input: 4 to 20 mA.

Standard Features: Manual override, position indicator, and TD models come with two limit switches.

Electric "TI" and "MI" Series

Power Requirements: 110 VAC, 220 VAC, 24 VAC or 24 VDC.

Power Consumption: See instruction manual.

Cycle Time (per 90°): See instruction manual.

Duty Rating: See instruction manual.

Enclosure Rating: NEMA 7, designed to meet hazardous locations: Class I, Group C & D; Class II, Group E, F & G; Division I & II.

Housing Material: Powder coated aluminum.

Temperature Limits: -40 to 140°F (-40 to 60°C).

Electrical Connection: 1/2" female NPT.

Modulating Input: 4 to 20 mA.

Standard Features: Position indicator and two limit switches.

2-PIECE NPT STAINLESS STEEL BALL VALVE

Full Port, Vented Ball, Electric or Pneumatic Actuators

MODEL CHART						
Size	Cv (gal/min)	Popular Hand Operated Model	Popular Double Acting Pneumatic Model	Popular Spring Return Pneumatic Model	Popular NEMA 4X Two Position Electric (110 VAC) Model	Popular NEMA 4X Modulating Electric (110 VAC) Model
1/2"	36.64	WE01-CHD00	WE01-CDA01	WE01-CSR02	WE01-CTD01-A	WE01-CMD01-A
3/4"	67.69	WE01-DHD00	WE01-DDA01	WE01-DSR02	WE01-DTD01-A	WE01-DMD01-A
1"	110.27	WE01-EHD00	WE01-EDA02	WE01-ESR03	WE01-ETD01-A	WE01-EMD01-A
1-1/4"	184.73	WE01-FHD00	WE01-FDA02	WE01-FSR03	WE01-FTD01-A	WE01-FMD01-A
1-1/2"	266.62	WE01-GHD00	WE01-GDA03	WE01-GSR04	WE01-GTD02-A	WE01-GMD01-A
2"	485.3	WE01-HHD00	WE01-HDA03	WE01-HSR05	WE01-HTD02-A	WE01-HMD02-A
2-1/2"	791.57	WE01-IHD00	WE01-IDA04	WE01-ISR07	WE01-ITD03-A	WE01-IMD03-A
3"	1151.95	WE01-JHD00	WE01-JDA05	WE01-JSR07	WE01-JTD03-A	WE01-JMD03-A

MODEL CHART - HAND OPERATED & PNEUMATIC ACTUATOR						
Example	WE01	-EDA02	-A	A	01	WE01-EDA02-AA01
Series	WE01					316 SS 2-piece NPT
Size and Actuator		CHD00				1/2" hand operated
		DHD00				3/4" hand operated
		EHD00				1" hand operated
		FHD00				1-1/4" hand operated
		GHD00				1-1/2" hand operated
		HHD00				2" hand operated
		IHD00				2-1/2" hand operated
		JHD00				3" hand operated
		CDA01				1/2" double acting
		DDA01				3/4" double acting
		EDA02				1" double acting
		FDA02				1-1/4" double acting
		GDA03				1-1/2" double acting
		HDA03				2" double acting
		IDA04				2-1/2" double acting
		JDA05				3" double acting
		CSR02				1/2" spring return
	DSR02				3/4" spring return	
	ESR03				1" spring return	
	FSR03				1-1/4" spring return	
	GSR04				1-1/2" spring return	
	HSR05				2" spring return	
	ISR07				2-1/2" spring return	
	JSR07				3" spring return	
Solenoid			N			No solenoid
			A			NEMA 4X NAMUR solenoid
Solenoid Voltage				N		No solenoid
				A		110 VAC
				B		220 VAC
				C		24 VAC
				D		24 VDC
			E		12 VDC	
Positioner and Switches					00	None
					01	42AD0 exp limit switch
					02	45VD0 exp position transmitter
					03	42AD0-B ATEX limit switch
					04	42AD0-IE IECEX limit switch
					05	VPI-M01 NEMA 4X limit switch
					06	QV-210101 poly limit switch
					07	VPS and P1 prox switch
					08	265ER-D5 positioner
				09	285ER-D5 smart positioner	
Options					NO	Fail open spring return actuator

MODEL CHART - ELECTRIC ACTUATOR			
Example	WE01	-GMD01	-A WE01-GMD01-A
Series	WE01		316 SS 2-piece NPT
Size and Actuator		CTD01	1/2" NEMA 4X two-position
		DTD01	3/4" NEMA 4X two-position
		ETD01	1" NEMA 4X two-position
		FTD01	1-1/4" NEMA 4X two-position
		GTD02	1-1/2" NEMA 4X two-position
		HTD02	2" NEMA 4X two-position
		ITD03	2-1/2" NEMA 4X two-position
		JTD03	3" NEMA 4X two-position
		CMD01	1/2" NEMA 4X modulating
		DMD01	3/4" NEMA 4X modulating
		EMD01	1" NEMA 4X modulating
		FMD01	1-1/4" NEMA 4X modulating
		GMD01	1-1/2" NEMA 4X modulating
		HMD02	2" NEMA 4X modulating
		IMD03	2-1/2" NEMA 4X modulating
		JMD03	3" NEMA 4X modulating
		CTI01	1/2" exp two-position
		DTI01	3/4" exp two-position
		ETI02	1" exp two-position
		FTI02	1-1/4" exp two-position
		GTI02	1-1/2" exp two-position
	HTI04	2" exp two-position	
	ITI05	2-1/2" exp two-position	
	JTI06	3" exp two-position	
	CMI01	1/2" exp electric modulating	
	DMI01	3/4" exp electric modulating	
	EMI02	1" exp electric modulating	
	FMI02	1-1/4" exp electric modulating	
	GMI02	1-1/2" exp electric modulating	
	HMI04	2" exp electric modulating	
	IMI05	2-1/2" exp electric modulating	
	JMI06	3" exp electric modulating	
Actuator Voltage			A 110 VAC
			B 220 VAC
			C 24 VAC
			D 24 VDC

ACCESSORIES	
Model	Description
R2-2120	Air regulator
AFR2-2	Instrument air filter regulator
VB-01	Volume booster

Valves, Ball, Automated

3-PIECE NPT STAINLESS STEEL BALL VALVE

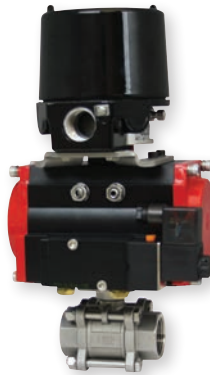
Full Port, Vented Ball, Electric or Pneumatic Actuators



WE02-DHD00



WE02-DDA01



WE02-DDA01-AA01



WE02-DTD01-A



WE02-CTI01-A



Scan here
to watch
product video

The **SERIES WE02** incorporates a full port 3-piece SS ball valve for great flow rates with minimal pressure drop. The valve features a blowout proof stem for added safety, reinforced PTFE seats and seals for longer life, and a 316 SS (ASTM CF8M) ball for better performance. Actuators are direct mounted creating a compact assembly for tight spaces. Limit switches are able to be mounted directly to the valves allowing for remote position indication.

The Series WE02 can be configured with either an electric or pneumatic actuator. Electric actuators are available in weatherproof or explosion-proof, a variety of supply voltages and two-position or modulating control. Two-position actuators use the supply voltage to drive the valve open or closed, while the modulating actuator accepts a 4 to 20 mA input for valve positioning. Actuators feature thermal overload protection and permanently lubricated gear train.

The pneumatic double acting actuator uses an air supply to drive the valve open and closed. The actuator has two supply ports, with one driving the valve open and the other driving the valve closed. Spring return pneumatic actuators use the air supply to open the valve, and internally loaded springs return the valve to the closed position. Also available is the SN solenoid valve to electrically switch the air supply pressure between the air supply ports for opening and closing the valve. Actuators are constructed of anodized and epoxy coated aluminum for years of corrosion free service.

FEATURES/BENEFITS

- Capable of being configured to fit any application
- Limit switches can be mounted to manual valves for remote monitoring
- Vented ball to reduce operating torque
- Weatherproof or explosion-proof electric actuators
- Double acting or spring return anodized aluminum pneumatic actuators
- 3-piece design for each replacement of seals
- Full port design reduces the pressure drop across the valve

APPLICATIONS

- Gas or liquid flow control
- Ideal for quick bubble tight shut-off

SPECIFICATIONS

VALVE

Service: Compatible liquids and gases.

Body: 3-piece.

Line Sizes: 1/2 to 3"

End Connections: Female NPT.

Pressure Limits: 28" Hg to 1000 psi (-0.7 to 69 bar) up to 250°F.

Wetted Materials: Body and ball: 316 SS (CF8M); Stem: 316 SS; Seat: RTFE/PTFE; Seal, Washer, and Packing: PTFE.

Temperature Limits: -20 to 392°F (-29 to 200°C).

Other Materials: O-ring:

Fluoroelastomer; Handle: 304 SS; Washer: 301 SS; Stem Nut, Locking Device, Gland Ring: 304 SS; Handle Sleeve: PVC.

ACTUATORS

Pneumatic "DA" and "SR" Series

Type: DA series is double acting and SR series is spring return (rack and pinion).
Normal Supply Pressure: DA: 40 to 115 psi (2.7 to 7.9 bar); SR: 80 psi (5.5 bar).
Maximum Supply Pressure: 120 psi (8.6 bar).

Air Connections: DA01: 1/8" female NPT; DA02 to DA05: 1/4" female NPT; SR02 to SR07: 1/4" female NPT.

Housing Material: Anodized aluminum body and epoxy coated aluminum end caps.

Temperature Limits: -40 to 176°F (-40 to 80°C).

Accessory Mounting: NAMUR standard.

Electric "TD" and "MD" Series

Power Requirements: 110 VAC, 220 VAC, 24 VAC or 24 VDC (MD models not available in 24 VDC).
Power Consumption: See instruction manual.

Cycle Time (per 90°): TD01: 4 s; MD01: 10 s; TD02 and MD02: 20 s; TD03 and MD03: 30 s.

Duty Rating: 85%.

Enclosure Rating: NEMA 4X (IP67).

Housing Material: Powder coated aluminum.

Temperature Limits: -22 to 140°F (-30 to 60°C).

Electrical Connection: 1/2" female NPT.

Modulating Input: 4 to 20 mA.

Standard Features: Manual override, position indicator, and TD models come with two limit switches.

Electric "TI" and "MI" Series

Power Requirements: 110 VAC, 220 VAC, 24 VAC or 24 VDC.

Power Consumption: See instruction manual.

Cycle Time (per 90°): See instruction manual.

Duty Rating: See instruction manual.

Enclosure Rating: NEMA 7, designed to meet hazardous locations: Class I, Group C & D; Class II, Group E, F & G; Division I & II.

Housing Material: Powder coated aluminum.

Temperature Limits: -40 to 140°F (-40 to 60°C).

Electrical Connection: 1/2" female NPT.

Modulating Input: 4 to 20 mA.

Standard Features: Position indicator and two limit switches.

3-PIECE NPT STAINLESS STEEL BALL VALVE

Full Port, Vented Ball, Electric or Pneumatic Actuators

MODEL CHART						
Size	Cv (gal/min)	Popular Hand Operated Model	Popular Double Acting Pneumatic Model	Popular Spring Return Pneumatic Model	Popular NEMA 4X Two Position Electric (110 VAC) Model	Popular NEMA 4X Modulating Electric (110 VAC) Model
1/2"	36.64	WE02-CHD00	WE02-CDA01	WE02-CSR02	WE02-CTD01-A	WE02-CMD01-A
3/4"	67.69	WE02-DHD00	WE02-DDA01	WE02-DSR02	WE02-DTD01-A	WE02-DMD01-A
1"	110.27	WE02-EHD00	WE02-EDA02	WE02-ESR03	WE02-ETD01-A	WE02-EMD01-A
1-1/4"	184.73	WE02-FHD00	WE02-FDA02	WE02-FSR03	WE02-FTD01-A	WE02-FMD01-A
1-1/2"	266.62	WE02-GHD00	WE02-GDA03	WE02-GSR04	WE02-GTD02-A	WE02-GMD01-A
2"	485.3	WE02-HHD00	WE02-HDA03	WE02-HSR05	WE02-HTD02-A	WE02-HMD02-A
2-1/2"	791.57	WE02-IHD00	WE02-IDA04	WE02-ISR07	WE02-ITD03-A	WE02-IMD03-A
3"	1151.95	WE02-JHD00	WE02-JDA05	WE02-JSR07	WE02-JTD03-A	WE02-JMD03-A

MODEL CHART - HAND OPERATED & PNEUMATIC ACTUATOR						
Example	WE02	-CSR02	-N	N	09	WE02-CSR02-NN09
Series	WE02					316 SS 3-piece NPT
Size and Actuator		CHD00				1/2" hand operated
		DHD00				3/4" hand operated
		EHD00				1" hand operated
		FHD00				1-1/4" hand operated
		GHD00				1-1/2" hand operated
		HHD00				2" hand operated
		IHD00				2-1/2" hand operated
		JHD00				3" hand operated
		CDA01				1/2" double acting
		DDA01				3/4" double acting
		EDA02				1" double acting
		FDA02				1-1/4" double acting
		GDA03				1-1/2" double acting
		HDA03				2" double acting
		IDA04				2-1/2" double acting
		JDA05				3" double acting
		CSR02				1/2" spring return
	DSR02				3/4" spring return	
	ESR03				1" spring return	
	FSR03				1-1/4" spring return	
	GSR04				1-1/2" spring return	
	HSR05				2" spring return	
	ISR07				2-1/2" spring return	
	JSR07				3" spring return	
Solenoid			N			No solenoid
			A			NEMA 4X NAMUR solenoid
Solenoid Voltage				N		No solenoid
				A		110 VAC
				B		220 VAC
				C		24 VAC
				D		24 VDC
			E		12 VDC	
Positioner and Switches					00	None
					01	42AD0 exp limit switch
					02	45VD0 exp position transmitter
					03	42AD0-B ATEX limit switch
					04	42AD0-IE IECEX limit switch
					05	VPI-M01 NEMA 4X limit switch
					06	QV-210101 poly limit switch
					07	VPS and P1 prox switch
					08	265ER-D5 positioner
					09	285ER-D5 smart positioner
Options					NO	Fail open spring return actuator

MODEL CHART - ELECTRIC ACTUATOR				
Example	WE02	-ETD01	-B	WE02-ETD01-B
Series	WE02			316 SS 3-piece NPT
Size and Actuator		CTD01		1/2" NEMA 4X two-position
		DTD01		3/4" NEMA 4X two-position
		ETD01		1" NEMA 4X two-position
		FTD01		1-1/4" NEMA 4X two-position
		GTD02		1-1/2" NEMA 4X two-position
		HTD02		2" NEMA 4X two-position
		ITD03		2-1/2" NEMA 4X two-position
		JTD03		3" NEMA 4X two-position
		CMD01		1/2" NEMA 4X modulating
		DMD01		3/4" NEMA 4X modulating
		EMD01		1" NEMA 4X modulating
		FMD01		1-1/4" NEMA 4X modulating
		GMD01		1-1/2" NEMA 4X modulating
		HMD02		2" NEMA 4X modulating
		IMD03		2-1/2" NEMA 4X modulating
		JMD03		3" NEMA 4X modulating
		CTI01		1/2" exp two-position
		DTI01		3/4" exp two-position
		ETI02		1" exp two-position
		FTI02		1-1/4" exp two-position
		GTI03		1-1/2" exp two-position
		HTI04		2" exp two-position
		ITI05		2-1/2" exp two-position
	JTI05		3" exp two-position	
	CMI01		1/2" exp electric modulating	
	DMI01		3/4" exp electric modulating	
	EMI02		1" exp electric modulating	
	FMI02		1-1/4" exp electric modulating	
	GMI03		1-1/2" exp electric modulating	
	HMI04		2" exp electric modulating	
	IMI05		2-1/2" exp electric modulating	
	JMI05		3" exp electric modulating	
Actuator Voltage			A	110 VAC
			B	220 VAC
			C	24 VAC
			D	24 VDC

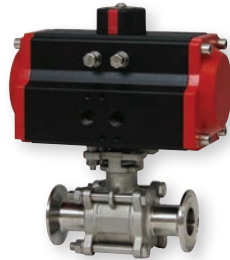
ACCESSORIES	
Model	Description
R2-2120	Air regulator
AFR2-2	Instrument air filter regulator
VB-01	Volume booster

3-PIECE TRI-CLAMP STAINLESS STEEL BALL VALVE

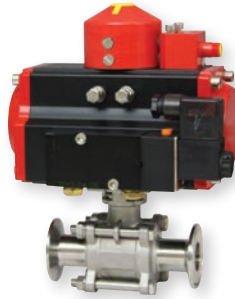
Cavity Filled, Full Port, Electric or Pneumatic Actuators



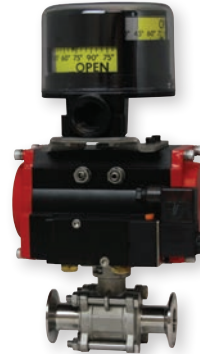
WE03-DHD00



WE03-DDA01



WE03-DDA01-AA07



WE03-DDA01-AA06



WE03-DTD01-A



Scan here
to watch
product video

The **SERIES WE03** incorporates a full port 3-piece tri-clamp SS ball valve for great flow rates with minimal pressure drop. The valve features a blowout proof stem for added safety, reinforced PTFE seats and seals for longer life, and a 316 SS (ASTM CF8M) ball for better performance. Actuators are direct mounted creating a compact assembly for tight spaces. Limit switches are able to be mounted directly to the valves allowing for remote position indication.

The Series WE03 can be configured with either an electric or pneumatic actuator. Electric actuators are available in weatherproof or explosion-proof, a variety of supply voltages and two-position or modulating control. Two-position actuators use the supply voltage to drive the valve open or closed, while the modulating actuator accepts a 4 to 20 mA input for valve positioning. Actuators feature thermal overload protection and permanently lubricated gear train.

The pneumatic double acting actuator uses an air supply to drive the valve open and closed. The actuator has two supply ports with one driving the valve open and the other driving the valve closed. Spring return pneumatic actuators use the air supply to open the valve and internally loaded springs return the valve to the closed position. Also available is the SN solenoid valve to electrically switch the air supply pressure between the air supply ports for opening and closing the valve. Actuators are constructed of anodized and epoxy coated aluminum for years of corrosion free service.

FEATURES/BENEFITS

- Capable of being configured to fit any application
- Limit switches can be mounted to manual valves for remote monitoring
- Cavity filled valve for sanitary applications
- Weatherproof or explosion-proof electric actuators
- Double acting or spring return anodized aluminum pneumatic actuators
- Full port design reduces the pressure drop across the valve

APPLICATIONS

- Gas or liquid flow control
- Ideal for quick bubble tight shut-off
- Designed for food and beverage applications

SPECIFICATIONS

VALVE

Service: Compatible liquids and gases.

Body: 3-piece.

Line Sizes: 1/2 to 2".

End Connections: Tri-clamp ends.

Pressure Limits: 28" Hg to 1000 psi (-0.7 to 69 bar) up to 250°F.

Wetted Materials: Body and ball: 316 SS (CF8M); Stem: 316 SS; Seat: RTFE/PTFE; Seal, Washer, and Packing: PTFE.

Temperature Limits: -20 to 392°F (-29 to 200°C).

Other Materials: O-ring:

Fluoroelastomer; Handle: 304 SS; Washer: 301 SS; Stem Nut, Locking Device, Gland Ring: 304 SS; Handle Sleeve: PVC.

ACTUATORS

Pneumatic "DA" and "SR" Series

Type: DA series is double acting and SR series is spring return (rack and pinion).

Normal Supply Pressure: DA: 40 to 115 psi (2.7 to 7.9 bar); SR: 80 psi (5.5 bar).

Maximum Supply Pressure: 120 psi (8.6 bar).

Air Connections: DA01: 1/8" female NPT; DA02: 1/4" female NPT; SR02 to SR04: 1/4" female NPT.

Housing Material: Anodized aluminum body and epoxy coated aluminum end caps.

Temperature Limits: -40 to 176°F (-40 to 80°C).

Accessory Mounting: NAMUR standard.

Electric "TD" and "MD" Series

Power Requirements: 110 VAC, 220 VAC, 24 VAC or 24 VDC (MD models not available in 24 VDC).
Power Consumption: See instruction manual.

Cycle Time (per 90°): TD01: 4 s; MD01: 10 s; TD02 and MD02: 20 s.

Duty Rating: 85%.

Enclosure Rating: NEMA 4X (IP67).

Housing Material: Powder coated aluminum.

Temperature Limits: -22 to 140°F (-30 to 60°C).

Electrical Connection: 1/2" female NPT.

Modulating Input: 4 to 20 mA.

Standard Features: Manual override, position indicator, and TD models come with two limit switches.

Electric "TI" and "MI" Series

Power Requirements: 110 VAC, 220 VAC, 24 VAC or 24 VDC.

Power Consumption: See instruction manual.

Cycle Time (per 90°): See instruction manual.

Duty Rating: See instruction manual.

Enclosure Rating: NEMA 7, designed to meet hazardous locations: Class I, Group C & D; Class II, Group E, F & G; Division I & II.

Housing Material: Powder coated aluminum.

Temperature Limits: -40 to 140°F (-40 to 60°C).

Electrical Connection: 1/2" female NPT.

Modulating Input: 4 to 20 mA.

Standard Features: Position indicator and two limit switches.

3-PIECE TRI-CLAMP STAINLESS STEEL BALL VALVE

Cavity Filled, Full Port, Electric or Pneumatic Actuators

MODEL CHART						
Size	Cv (gal/min)	Popular Hand Operated Model	Popular Double Acting Pneumatic Model	Popular Spring Return Pneumatic Model	Popular NEMA 4X Two Position Electric (110 VAC) Model	Popular NEMA 4X Modulating Electric (110 VAC) Model
1/2"	14.39	WE03-CHD00	WE03-CDA01	WE03-CSR02	WE03-CTD01-A	WE03-CMD01-A
3/4"	42.25	WE03-DHD00	WE03-DDA01	WE03-DSR02	WE03-DTD01-A	WE03-DMD01-A
1"	86.17	WE03-EHD00	WE03-EDA02	WE03-ESR03	WE03-ETD01-A	WE03-EMD01-A
1-1/2"	223.61	WE03-GHD00	WE03-GDA02	WE03-GSR04	WE03-GTD01-A	WE03-GMD01-A
2"	437.98	WE03-HHD00	WE03-HDA02	WE03-HSR04	WE03-HTD02-A	WE03-HMD02-A

MODEL CHART - HAND OPERATED & PNEUMATIC ACTUATOR						
Example	WE03	-EDA02	-A	A	06	WE03-EDA02-AA06
Series	WE03					316 SS 3-piece tri-clamp
Size and Actuator		CHD00 DHD00 EHD00 GHD00 HHD00 CDA01 DDA01 EDA02 GDA02 HDA02 CSR02 DSR02 ESR03 GSR04 HSR04				1/2" hand operated 3/4" hand operated 1" hand operated 1-1/2" hand operated 2" hand operated 1/2" double acting 3/4" double acting 1" double acting 1-1/2" double acting 2" double acting 1/2" spring return 3/4" spring return 1" spring return 1-1/2" spring return 2" spring return
Solenoid			N A			No solenoid NEMA 4X NAMUR solenoid
Solenoid Voltage				N A B C D E		No solenoid 110 VAC 220 VAC 24 VAC 24 VDC 12 VDC
Positioner and Switches					00 01 02 03 04 05 06 07 08 09	None 42AD0 exp limit switch 45VD0 exp position transmitter 42AD0-B ATEX limit switch 42AD0-IE IECEX limit switch VPI-M01 NEMA 4X limit switch QV-210101 poly limit switch VPS and P1 prox switch 265ER-D5 positioner 285ER-D5 smart positioner
Options					NO	Fail open spring return actuator

MODEL CHART - ELECTRIC ACTUATOR				
Example	WE03	-CMD01	-A	WE03-CMD01-A
Series	WE03			316 SS 3-piece tri-clamp
Size and Actuator		CTD01 DTD01 ETD01 GTD01 HTD02 CMD01 DMD01 EMD01 GMD01 HMD02 CTI01 DTI01 ETI02 GTI02 HTI02 CMI01 DMI01 EMI02 GMI02 HMI02		1/2" NEMA 4X two-position 3/4" NEMA 4X two-position 1" NEMA 4X two-position 1-1/2" NEMA 4X two-position 2" NEMA 4X two-position 1/2" NEMA 4X modulating 3/4" NEMA 4X modulating 1" NEMA 4X modulating 1-1/2" NEMA 4X modulating 2" NEMA 4X modulating 1/2" exp two-position 3/4" exp two-position 1" exp two-position 1-1/2" exp two-position 2" exp two-position 1/2" exp electric modulating 3/4" exp electric modulating 1" exp electric modulating 1-1/2" exp electric modulating 2" exp electric modulating
Actuator Voltage			A B C D	110 VAC 220 VAC 24 VAC 24 VDC

ACCESSORIES	
Model	Description
R2-2120	Air regulator
AFR2-2	Instrument air filter regulator
VB-01	Volume booster

Valves, Ball, Automated

2-PIECE FLANGED STAINLESS STEEL BALL VALVE

150# ANSI Flange, Vented Ball, Electric or Pneumatic Actuators



WE04-DHD00



WE04-DDA02-AA03



WE04-DDA02-NN09



WE04-DTD01-A



WE04-CTI01-A



Scan here
to watch
product video

The **SERIES WE04** incorporates a full port 2-piece flanged SS ball valve for great flow rates with minimal pressure drop. The valve features a blowout proof stem for added safety, reinforced PTFE seats and seals for longer life, and a 316 SS (ASTM CF8M) ball for better performance. Actuators are direct mounted creating a compact assembly for tight spaces. Limit switches are able to be mounted directly to the valves allowing for remote position indication.

The Series WE04 can be configured with either a pneumatic or electric actuator. Electric actuators are available in weatherproof or explosion-proof, a variety of supply voltages, and two-position or modulating control. Two-position actuators use the supply voltage to drive the valve open or closed, while the modulating actuator accepts a 4 to 20 mA input for valve positioning. Actuators feature thermal overload protection and permanently lubricated gear train.

The pneumatic double acting actuator uses an air supply to drive the valve open and closed. The actuator has two supply ports, with one driving the valve open, and the other driving the valve closed. Spring return pneumatic actuators use the air supply to open the valve, and internally loaded springs return the valve to the closed position. Also available is the SN solenoid valve to electrically switch the air supply pressure between the air supply ports for opening and closing the valve. Actuators are constructed of anodized and epoxy coated aluminum for years of corrosion free service.

FEATURES/BENEFITS

- Capable of being configured to fit any application
- Limit switches can be mounted to manual valves for remote monitoring
- Vented ball to reduce operating torque
- Weatherproof or explosion-proof electric actuators
- Double acting or spring return anodized aluminum pneumatic actuators
- Eliminates threads and reduces installation and maintenance time
- Full port design reduces the pressure drop across the valve

APPLICATIONS

- Gas or liquid flow control
- Ideal for quick bubble tight shut-off

SPECIFICATIONS

VALVE

Service: Compatible liquids and gases.

Body: 2-piece.

Line Sizes: 1/2 to 3" .

End Connections: 150# ANSI flange.

Pressure Limits: 28" Hg to 275 psi (-0.7 to 19 bar) up to 392°F.

Wetted Materials: Body and ball: 316 SS (CF8M); Stem: 316 SS; Seat: RTFE/PTFE; Seal, Washer, and Packing: PTFE.

Temperature Limits: -20 to 392°F (-29 to 200°C).

Other Materials: O-ring:

Fluoroelastomer; Handle: 304 SS; Washer: 301 SS; Stem Nut, Locking Device, Gland Ring: 304 SS; Handle Sleeve: PVC.

ACTUATORS

Pneumatic "DA" and "SR" Series

Type: DA series is double acting and SR series is spring return (rack and pinion).

Normal Supply Pressure: DA: 40 to 115 psi (2.7 to 7.9 bar); SR: 80 psi (5.5 bar).

Maximum Supply Pressure: 120 psi (8.6 bar).

Air Connections: DA01: 1/8" female NPT; DA02 to DA04: 1/4" female NPT; SR02 to SR06: 1/4" female NPT.

Housing Material: Anodized aluminum body and epoxy coated aluminum end caps.

Temperature Limits: -40 to 176°F (-40 to 80°C).

Accessory Mounting: NAMUR standard.

Electric "TD" and "MD" Series

Power Requirements: 110 VAC, 220 VAC, 24 VAC OR 240 VDC (MD models not available in 24 VDC) .

Power Consumption: See instruction manual.

Cycle Time (per 90°): TD01: 4 s; MD01: 10 s; TD02 and MD02: 20 s; TD03 and MD03: 30 s.

Duty Rating: 85%.

Enclosure Rating: NEMA 4X (IP67).

Housing Material: Powder coated aluminum.

Temperature Limits: -22 to 140°F (-30 to 60°C).

Electrical Connection: 1/2" female NPT.

Modulating Input: 4 to 20 mA.

Standard Features: Manual override, position indicator, and TD models come with two limit switches.

Electric "TI" and "MI" Series

Power Requirements: 110 VAC, 220 VAC, 24 VAC or 24 VDC.

Power Consumption: See instruction manual.

Cycle Time (per 90°): See instruction manual.

Duty Rating: See instruction manual.

Enclosure Rating: NEMA 7, designed to meet hazardous locations: Class I, Group C & D; Class II, Group E, F & G; Division I & II.

Housing Material: Powder coated aluminum.

Temperature Limits: -40 to 140°F (-40 to 60°C).

Electrical Connection: 1/2" NPT female.

Modulating Input: 4 to 20 mA.

Standard Features: Position indicator and two limit switches.

2-PIECE FLANGED STAINLESS STEEL BALL VALVE

150# ANSI Flange, Vented Ball, Electric or Pneumatic Actuators

MODEL CHART						
Size	Cv (gal/min)	Popular Hand Operated Model	Popular Double Acting Pneumatic Model	Popular Spring Return Pneumatic Model	Popular NEMA 4X Two Position Electric (110 VAC) Model	Popular NEMA 4X Modulating Electric (110 VAC) Model
1/2"	36.64	WE04-CHD00	WE04-CDA01	WE04-CSR02	WE04-CTD01-A	WE04-CMD01-A
3/4"	67.69	WE04-DHD00	WE04-DDA01	WE04-DSR02	WE04-DTD01-A	WE04-DMD01-A
1"	101.63	WE04-EHD00	WE04-EDA03	WE04-ESR03	WE04-ETD01-A	WE04-EMD01-A
1-1/2"	266.62	WE04-GHD00	WE04-GDA03	WE04-GSR04	WE04-GTD02-A	WE04-GMD01-A
2"	485.3	WE04-HHD00	WE04-HDA03	WE04-HSR05	WE04-HTD02-A	WE04-HMD02-A
2-1/2"	816.9	WE04-IHD00	WE04-IDA04	WE04-ISR06	WE04-ITD03-A	WE04-IMD03-A
3"	1121.84	WE04-JHD00	WE04-JDA04	WE04-JSR06	WE04-JTD03-A	WE04-JMD03-A

MODEL CHART - HAND OPERATED & PNEUMATIC ACTUATOR						
Example	WE04	-GDA03	-A	B	05	WE04-GDA03-AB05
Series	WE04					316 SS 2-piece flanged
Size and Actuator		CHD00				1/2" hand operated
		DHD00				3/4" hand operated
		EHD00				1" hand operated
		GHD00				1-1/2" hand operated
		HHD00				2" hand operated
		IHD00				2-1/2" hand operated
		JHD00				3" hand operated
		CDA01				1/2" double acting
		DDA01				3/4" double acting
		EDA03				1" double acting
		GDA03				1-1/2" double acting
		HDA03				2" double acting
		IDA04				2-1/2" double acting
		JDA04				3" double acting
		CSR02				1/2" spring return
		DSR02				3/4" spring return
		ESR03				1" spring return
		GSR04				1-1/2" spring return
		HSR05				2" spring return
		ISR06				2-1/2" spring return
		JSR06				3" spring return
Solenoid			N			No solenoid
			A			NEMA 4X NAMUR solenoid
Solenoid Voltage				N		No solenoid
				A		110 VAC
				B		220 VAC
				C		24 VAC
				D		24 VDC
				E		12 VDC
Positioner and Switches					00	None
					01	42AD0 exp limit switch
					02	45VD0 exp position transmitter
					03	42AD0-B ATEX limit switch
					04	42AD0-IE IECEX limit switch
					05	VPI-M01 NEMA 4X limit switch
					06	QV-210101 poly limit switch
					07	VPS and P1 prox switch
					08	265ER-D5 positioner
					09	285ER-D5 smart positioner
Options					NO	Fail open spring return actuator

MODEL CHART - ELECTRIC ACTUATOR				
Example	WE04	-ITD03	-B	WE04-ITD03-B
Series	WE04			316 SS 2-piece flanged
Size and Actuator		CTD01		1/2" NEMA 4X two-position
		DTD01		3/4" NEMA 4X two-position
		ETD01		1" NEMA 4X two-position
		GTD02		1-1/2" NEMA 4X two-position
		HTD02		2" NEMA 4X two-position
		ITD03		2-1/2" NEMA 4X two-position
		JTD03		3" NEMA 4X two-position
		CMD01		1/2" NEMA 4X modulating
		DMD01		3/4" NEMA 4X modulating
		EMD01		1" NEMA 4X modulating
		GMD01		1-1/2" NEMA 4X modulating
		HMD02		2" NEMA 4X modulating
		IMD03		2-1/2" NEMA 4X modulating
		JMD03		3" NEMA 4X modulating
		CTI01		1/2" exp two-position
		DTI01		3/4" exp two-position
		ETI02		1" exp two-position
		GTI03		1-1/2" exp two-position
		HTI04		2" exp two-position
		ITI04		2-1/2" exp two-position
		JTI05		3" exp two-position
		CMI01		1/2" exp electric modulating
		DMI01		3/4" exp electric modulating
		EMI02		1" exp electric modulating
		GMI03		1-1/2" exp electric modulating
		HMI04		2" exp electric modulating
		IMI04		2-1/2" exp electric modulating
		JMI05		3" exp electric modulating
Actuator Voltage			A	110 VAC
			B	220 VAC
			C	24 VAC
			D	24 VDC

ACCESSORIES	
Model	Description
R2-2120	Air regulator
AFR2-2	Instrument air filter regulator
VB-01	Volume booster

Valves, Ball, Automated

3-PIECE SOCKET WELD STAINLESS STEEL BALL VALVE

Full Port, Vented Ball, Electric or Pneumatic Actuators



WE05-EHD00



WE05-FDA02



WE05-DDA01-AA01



WE05-JTD03-A



WE05-ITI05-B



Scan here
to watch
product video

The **SERIES WE05** offers the best possible design for socket weld ball valves. The swing out body feature and seat arrangement allow for trouble-free welding installation. The Series WE05 incorporates a full port 3-piece SS ball valve for ideal flow rates with minimal pressure drop. The valve features a blowout proof stem for added safety, reinforced PTFE seats and seals for longer life, and a 316 SS (ASTM CF8M) ball for better performance.

Actuators are directly mounted creating a compact assembly for tight spaces. Limit switches can be mounted directly to the valves, allowing for remote position indication. The Series WE05 can be configured with either an electric or pneumatic actuator. Electric actuators are available in weatherproof or explosion-proof, a variety of supply voltages and two-position modulating control. Two-position actuators use the supply voltage to drive the valve open or close, while the modulating actuator accepts a 4 to 20 mA input for valve positioning. Actuators feature thermal overload protection and a permanently lubricated gear train.

The pneumatic double acting actuator uses an air supply to drive the valve open and closed. The actuator has two supply ports with one driving the valve open and the other driving the valve closed. Spring return pneumatic actuators use the air supply to open the valve and internally loaded springs return the valve to the closed position. Also available is the SV3 solenoid valve to electrically switch the air supply pressure between the air supply ports for opening and closing the valve. Actuators are constructed of anodized and epoxy coated aluminum for years of corrosion free service.

FEATURES/BENEFITS

- Socket weld ends
- Capable of being configured to fit any application
- Limit switches can be mounted to manual valves for remote monitoring

SPECIFICATIONS

VALVE

Service: Compatible liquids and gases.

Body: 3-piece.

Line Sizes: 1/2 to 3".

End Connections: Socket weld.

Pressure Limits: 20" Hg to 1000 psi (-0.7 to 69 bar) up to 250°F.

Wetted Materials: Body and ball: 316 SS (CF8M); Stem: 316 SS; Seat: RTFE/PTFE; Seal, Washer, and Packing: PTFE.

Temperature Limits: -20 to 392°F (-29 to 200°C).

Other Materials: O-ring:

Fluoroelastomer; Handle: 304 SS; Washer: 301 SS; Stem Nut, Locking Device, Gland Ring: 304 SS; Handle Sleeve: PVC.

ACTUATORS

Pneumatic "DA" and "SR" Series

Type: DA series is double acting and SR series is spring return (rack and pinion).

Normal Supply Pressure: DA: 40 to 115 psi (2.7 to 7.9 bar); SR: 80 psi (5.5 bar).

Maximum Supply Pressure: 120 psi (8.6 bar).

Air Connections: DA01: 1/8" female NPT; DA02 to DA05: 1/4" female NPT; SR02 to SR07: 1/4" female NPT.

Housing Material: Anodized aluminum body and epoxy coated aluminum end caps.

Temperature Limits: -40 to 176°F (-40 to 80°C).

Accessory Mounting: NAMUR standard.

Electric "TD" and "MD" Series

Power Requirements: 110 VAC, 220 VAC, 24 VAC or 24 VDC (MD models not available in 24 VDC).

Power Consumption: See instruction manual.

Cycle Time (per 90°): TD01: 4 s; MD01: 10 s; TD02 and MD02: 20 s; TD03 and MD03: 30 s.

Duty Rating: 85%.

Enclosure Rating: NEMA 4X (IP67).

Housing Material: Powder coated aluminum.

Temperature Limits: -22 to 140°F (-30 to 60°C).

Electrical Connection: 1/2" female NPT.

Modulating Input: 4 to 20 mA.

Standard Features: Manual override, position indicator, and TD models come with two limit switches.

Electric "TI" and "MI" Series

Power Requirements: 110 VAC, 220 VAC, 24 VAC or 24 VDC.

Power Consumption: See instruction manual.

Cycle Time (per 90°): See instruction manual.

Duty Rating: See instruction manual.

Enclosure Rating: NEMA 7, designed to meet hazardous locations: Class I, Group C & D; Class II, Group E, F & G; Division I & II.

Housing Material: Powder coated aluminum.

Temperature Limits: -40 to 140°F (-40 to 60°C).

Electrical Connection: 1/2" female NPT.

Modulating Input: 4 to 20 mA.

Standard Features: Position indicator and two limit switches.



3-PIECE SOCKET WELD STAINLESS STEEL BALL VALVE

Full Port, Vented Ball, Electric or Pneumatic Actuators

MODEL CHART						
Size	Cv (gal/min)	Popular Hand Operated Model	Popular Double Acting Pneumatic Model	Popular Spring Return Pneumatic Model	Popular NEMA 4X Two Position Electric (110 VAC) Model	Popular NEMA 4X Modulating Electric (110 VAC) Model
1/2"	36.64	WE05-CHD00	WE05-CDA01	WE05-CSR02	WE05-CTD01-A	WE05-CMD01-A
3/4"	67.69	WE05-DHD00	WE05-DDA01	WE05-DSR02	WE05-DTD01-A	WE05-DMD01-A
1"	110.27	WE05-EHD00	WE05-EDA02	WE05-ESR03	WE05-ETD01-A	WE05-EMD01-A
1-1/4"	184.73	WE05-FHD00	WE05-FDA02	WE05-FSR03	WE05-FTD01-A	WE05-FMD01-A
1-1/2"	266.62	WE05-GHD00	WE05-GDA03	WE05-GSR04	WE05-GTD02-A	WE05-GMD01-A
2"	485.3	WE05-HHD00	WE05-HDA03	WE05-HSR05	WE05-HTD02-A	WE05-HMD02-A
2-1/2"	791.57	WE05-IHD00	WE05-IDA04	WE05-ISR07	WE05-ITD03-A	WE05-IMD03-A
3"	1151.95	WE05-JHD00	WE05-JDA05	WE05-JSR07	WE05-JTD03-A	WE05-JMD03-A

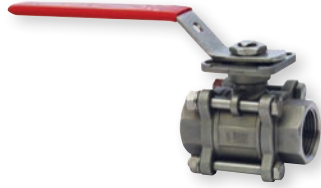
MODEL CHART - HAND OPERATED & PNEUMATIC ACTUATOR						
Example	WE05	-CSR02	-N	N	09	WE05-CSR02-NN09
Series	WE05					316 SS 3-piece socket weld
Size and Actuator		CHD00 DHD00 EHD00 FHD00 GHD00 HHD00 IHD00 JHD00 CDA01 DDA01 EDA02 FDA02 GDA03 HDA03 IDA04 JDA05 CSR02 DSR02 ESR03 FSR03 GSR04 HSR05 ISR07 JSR07				1/2" hand operated 3/4" hand operated 1" hand operated 1-1/4" hand operated 1-1/2" hand operated 2" hand operated 2-1/2" hand operated 3" hand operated 1/2" double acting 3/4" double acting 1" double acting 1-1/4" double acting 1-1/2" double acting 2" double acting 2-1/2" double acting 3" double acting 1/2" spring return 3/4" spring return 1" spring return 1-1/4" spring return 1-1/2" spring return 2" spring return 2-1/2" spring return 3" spring return
Solenoid			N A			No solenoid NEMA 4X
Solenoid Voltage				N A B C D E		No solenoid 120 VAC 220 VAC 24 VAC 24 VDC 12 VDC
Positioner and Switches					00 01 02 03 04 05 06 07 08 09	None 42AD0 exp limit switch 45VD0 exp position transmitter 42AD0-B ATEX limit switch 42AD0-IE IECEX limit switch VPI-M01 NEMA 4X limit switch QV-210101 poly limit switch VPS and P1 prox switch 265ER-D5 positioner 285ER-D5 smart positioner
Options					NO	Fail open spring return actuator

MODEL CHART - ELECTRIC ACTUATOR				
Example	WE05	-ETD01	-B	WE05-ETD01-B
Series	WE05			316 SS 3-piece socket weld
Size and Actuator		CTD01 DTD01 ETD01 FTD01 GTD02 HTD02 ITD03 JTD03 CMD01 DMD01 EMD01 FMD01 GMD01 HMD02 IMD03 JMD03 CTI01 DTI01 ETI02 FTI02 GTI03 HTI04 ITI05 JTI05 CMI01 DMI01 EMI02 FMI02 GMI03 HMI04 IMI05 JMI05		1/2" NEMA 4X two-position 3/4" NEMA 4X two-position 1" NEMA 4X two-position 1-1/4" NEMA 4X two-position 1-1/2" NEMA 4X two-position 2" NEMA 4X two-position 2-1/2" NEMA 4X two-position 3" NEMA 4X two-position 1/2" NEMA 4X modulating 3/4" NEMA 4X modulating 1" NEMA 4X modulating 1-1/4" NEMA 4X modulating 1-1/2" NEMA 4X modulating 2" NEMA 4X modulating 2-1/2" NEMA 4X modulating 3" NEMA 4X modulating 1/2" exp two-position 3/4" exp two-position 1" exp two-position 1-1/4" exp two-position 1-1/2" exp two-position 2" exp two-position 2-1/2" exp two-position 3" exp two-position 1/2" exp electric modulating 3/4" exp electric modulating 1" exp electric modulating 1-1/4" exp electric modulating 1-1/2" exp electric modulating 2" exp electric modulating 2-1/2" exp electric modulating 3" exp electric modulating
Actuator Voltage			A B C D	110 VAC 220 VAC 24 VAC 24 VDC

ACCESSORIES	
Model	Description
R2-2120	Air regulator
AFR2-2	Instrument air filter regulator
VB-01	Volume booster

3-PIECE NPT STAINLESS STEEL V-BALL VALVE

V-Port, Vented Ball, Electric or Pneumatic Actuators



WE06-DHD00-T



WE06-DDA01-T



WE06-DDA01-T-AA01



WE06-DTD01-T-A



WE06-CTI01-T-A



Scan here
to watch
product video

The **SERIES WE06** incorporates a V-port ball valve for impressive flow rates with minimal pressure drop. Quarter turn control ball valves are compact, lighter weight and much less expensive than comparable sized globe valves and segmented control valves. They also offer bubble tight shut off with zero leakage and can withstand high pressure drops. The 60° and 90° balls offer an equal percentage flow characteristic. W.E. Anderson's V-port ball valves have been designed to offer maximum flow characteristics that are substantially higher than comparably sized globe valves. The natural flow pattern of ball valves increases flow rates and in many applications valves smaller than pipeline size can be used.

Limit switches can be mounted directly to the valves allowing for remote position indication.

The Series WE06 can be configured with an electric or pneumatic actuator. Electric actuators are available in weatherproof or explosion-proof, a variety of supply voltages and two-position or modulating control.

Two-position actuators use the supply voltage to drive the valve open or close, while the modulating actuator accepts a 4 to 20 mA input for valve positioning. Actuators feature thermal overload protection and a permanently lubricated gear train.

The pneumatic double acting actuator uses an air supply to drive the valve open and closed. The actuator has two supply ports with one driving the valve open and the other driving the valve closed. Spring return pneumatic actuators use the air supply to open the valve and internally loaded springs return the valve to the closed position. Also available is the SV3 solenoid valve to electrically switch the air supply pressure between the air supply ports for opening and closing the valve.

FEATURES/BENEFITS

- The 60° and 90° balls offer an equal percentage flow characteristic
- Bubble tight shut off at high pressure drops
- Limit switches can be mounted to manual valves for remote monitoring
- Available with a variety of electric and pneumatic actuators

SPECIFICATIONS

VALVE

Service: Compatible liquids and gases.

Body: 3-piece.

Line Sizes: 1/2 to 3".

End Connections: Female NPT.

Pressure Limits: 20" Hg to 1000 psi (-0.7 to 69 bar) up to 250°F.

Wetted Materials: Body and ball: 316 SS (CF8M); Stem: 316 SS; Seat: RTFE/PTFE; Seal, Washer, and Packing: PTFE.

Temperature Limits: -20 to 392°F (-29 to 200°C).

Other Materials: O-ring:

Fluoroelastomer; Handle: 304 SS; Washer: 301 SS; Stem Nut, Locking Device, Gland Ring: 304 SS; Handle Sleeve: PVC.

ACTUATORS

Pneumatic "DA" and "SR" Series

Type: DA series is double acting and SR series is spring return (rack and pinion).

Normal Supply Pressure: DA: 40 to 115 psi (2.7 to 7.9 bar); SR: 80 psi (5.5 bar).

Maximum Supply Pressure: 120 psi (8.6 bar).

Air Connections: DA01: 1/8" female NPT; DA02 to DA05: 1/4" female NPT; SR02 to SR07: 1/4" female NPT.

Housing Material: Anodized aluminum body and epoxy coated aluminum end caps.

Temperature Limits: -40 to 176°F (-40 to 80°C).

Accessory Mounting: NAMUR standard.

Electric "TD" and "MD" Series

Power Requirements: 110 VAC, 220 VAC, 24 VAC or 24 VDC (MD models not available in 24 VDC).

Power Consumption: See instruction manual.

Cycle Time (per 90°): TD01: 4 s; MD01: 10 s; TD02 and MD02: 20 s; TD03 and MD03: 30 s.

Duty Rating: 85%.

Enclosure Rating: NEMA 4X (IP67).

Housing Material: Powder coated aluminum.

Temperature Limits: -22 to 140°F (-30 to 60°C).

Electrical Connection: 1/2" female NPT.

Modulating Input: 4 to 20 mA.

Standard Features: Manual override, position indicator, and TD models come with two limit switches.

Electric "TI" and "MI" Series

Power Requirements: 110 VAC, 220 VAC, 24 VAC or 24 VDC.

Power Consumption: See instruction manual.

Cycle Time (per 90°): See instruction manual.

Duty Rating: See instruction manual.

Enclosure Rating: NEMA 7, designed to meet hazardous locations: Class I, Group C & D; Class II, Group E, F & G; Division I & II.

Housing Material: Powder coated aluminum.

Temperature Limits: -40 to 140°F (-40 to 60°C).

Electrical Connection: 1/2" female NPT.

Modulating Input: 4 to 20 mA.

Standard Features: Position indicator and two limit switches.

3-PIECE NPT STAINLESS STEEL V-BALL VALVE

V-Port, Vented Ball, Electric or Pneumatic Actuators

MODEL CHART							
Size	Cv (gal/min)		Popular Hand Operated Model	Popular Double Acting Pneumatic Model	Popular Spring Return Pneumatic Model	Popular NEMA 4X Two Position Electric (110 VAC) Model	Popular NEMA 4X Modulating Electric (110 VAC) Model
	60°	90°					
1/2"	7.9	9.1	WE06-CHD00-T	WE06-CDA01-T	WE06-CSR02-T	WE06-CTD01-T-A	WE06-CMD01-T-A
3/4"	13.6	14.2	WE06-DHD00-T	WE06-DDA01-T	WE06-DSR02-T	WE06-DTD01-T-A	WE06-DMD01-T-A
1"	22.3	29.1	WE06-EHD00-T	WE06-EDA02-T	WE06-ESR03-T	WE06-ETD01-T-A	WE06-EMD01-T-A
1-1/4"	31.5	53.7	WE06-FHD00-T	WE06-FDA02-T	WE06-FSR03-T	WE06-FTD01-T-A	WE06-FMD01-T-A
1-1/2"	46.2	75.5	WE06-GHD00-T	WE06-GDA03-T	WE06-GSR04-T	WE06-GTD02-T-A	WE06-GMD01-T-A
2"	104.7	138.4	WE06-HHD00-T	WE06-HDA03-T	WE06-HSR05-T	WE06-HTD02-T-A	WE06-HMD02-T-A
2-1/2"	147.5	220.3	WE06-IHD00-T	WE06-IDA04-T	WE06-ISR07-T	WE06-ITD03-T-A	WE06-IMD03-T-A
3"	209.1	308.3	WE06-JHD00-T	WE06-JDA05-T	WE06-JSR07-T	WE06-JTD03-T-A	WE06-JMD03-T-A

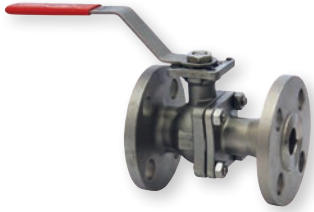
MODEL CHART - HAND OPERATED & PNEUMATIC ACTUATOR						
Example	WE06	-CSR02	-T	-N	N	09
Series	WE06					
Size and Actuator		CHD00				1/2" hand operated
		DHD00				3/4" hand operated
		EHD00				1" hand operated
		FHD00				1-1/4" hand operated
		GHD00				1-1/2" hand operated
		HHD00				2" hand operated
		IHD00				2-1/2" hand operated
		JHD00				3" hand operated
		CDA01				1/2" double acting
		DDA01				3/4" double acting
		EDA02				1" double acting
		FDA02				1-1/4" double acting
		GDA03				1-1/2" double acting
		HDA03				2" double acting
		IDA04				2-1/2" double acting
		JDA05				3" double acting
		CSR02				1/2" spring return
		DSR02				3/4" spring return
		ESR03				1" spring return
		FSR03				1-1/4" spring return
		GSR04				1-1/2" spring return
		HSR05				2" spring return
		ISR07				2-1/2" spring return
		JSR07				3" spring return
V-Ball Angle			T			60° v-ball
			N			90° v-ball
Solenoid				N		No solenoid
				A		NEMA 4X
Solenoid Voltage				N		No solenoid
				A		120 VAC
				B		220 VAC
				C		24 VAC
				D		24 VDC
				E		12 VDC
Positioner and Switches					00	None
					01	42AD0 exp limit switch
					02	45VD0 exp position transmitter
					03	42AD0-B ATEX limit switch
					04	42AD0-IE IECEX limit switch
					05	VPI-M01 NEMA 4X limit switch
					06	QV-210101 poly limit switch
					07	VPS and P1 prox switch
					08	265ER-D5 positioner
					09	285ER-D5 smart positioner
Options					NO	Fail open spring return actuator

MODEL CHART - ELECTRIC ACTUATOR				
Example	WE06	-ETD01	-T	-B
Series	WE06			
Size and Actuator		CTD01		1/2" NEMA 4X two-position
		DTD01		3/4" NEMA 4X two-position
		ETD01		1" NEMA 4X two-position
		FTD01		1-1/4" NEMA 4X two-position
		GTD02		1-1/2" NEMA 4X two-position
		HTD02		2" NEMA 4X two-position
		ITD03		2-1/2" NEMA 4X two-position
		JTD03		3" NEMA 4X two-position
		CMD01		1/2" NEMA 4X modulating
		DMD01		3/4" NEMA 4X modulating
		EMD01		1" NEMA 4X modulating
		FMD01		1-1/4" NEMA 4X modulating
		GMD01		1-1/2" NEMA 4X modulating
		HMD02		2" NEMA 4X modulating
		IMD03		2-1/2" NEMA 4X modulating
		JMD03		3" NEMA 4X modulating
		CTI01		1/2" exp two-position
		DTI01		3/4" exp two-position
		ETI02		1" exp two-position
		FTI02		1-1/4" exp two-position
		GTI03		1-1/2" exp two-position
		HTI04		2" exp two-position
		ITI05		2-1/2" exp two-position
		JTI05		3" exp two-position
		CMI01		1/2" exp electric modulating
		DMI01		3/4" exp electric modulating
		EMI02		1" exp electric modulating
		FMI02		1-1/4" exp electric modulating
		GMI03		1-1/2" exp electric modulating
		HMI04		2" exp electric modulating
		IMI05		2-1/2" exp electric modulating
		JMI05		3" exp electric modulating
V-Ball Angle			T	60° v-ball
			N	90° v-ball
Actuator Voltage			A	110 VAC
			B	220 VAC
			C	24 VAC
			D	24 VDC

ACCESSORIES	
Model	Description
R2-2120	Air regulator
AFR2-2	Instrument air filter regulator
VB-01	Volume booster

2-PIECE FLANGED STAINLESS STEEL V-BALL VALVE

150# ANSI Flange, V-Ball, Electric or Pneumatic Actuators



WE07-DHD00-T



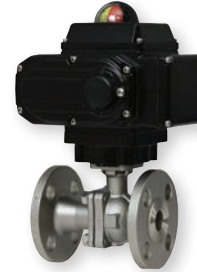
WE07-DDA01-T-NN09



WE07-CTI01-T-A



WE07-DDA01-T-AA03



WE07-DTD01-T-A



Scan here
to watch
product video

The **SERIES WE07** incorporates a V-port ball valve for impressive flow rates with minimal pressure drop. Quarter turn control ball valves are compact, lighter weight and much less expensive than comparable sized globe valves and segmented control valves. They also offer bubble tight shut off with zero leakage and can withstand high pressure drops. The 60° and 90° balls offer an equal percentage flow characteristic. W. E. Anderson's V-port ball valves have been designed to offer maximum flow characteristics that are substantially higher than comparably sized globe valves. The natural flow pattern of ball valves increases flow rates and in many applications valves smaller than pipeline size can be used.

The Series WE07 can be configured with an electric or pneumatic actuator. Electric actuators are available in weatherproof or explosion-proof, a variety of supply voltages and two-position or modulating control.

Two-position actuators use the supply voltage to drive the valve open or close, while the modulating actuator accepts a 4 to 20 mA input for valve positioning. Actuators feature thermal overload protection and a permanently lubricated gear train.

The pneumatic double acting actuator uses an air supply to drive the valve open and closed. The actuator has two supply ports with one driving the valve open and the other driving the valve closed. Spring return pneumatic actuators use the air supply to open the valve and internally loaded springs return the valve to the closed position. Also available is the SV3 solenoid valve to electrically switch the air supply pressure between the air supply ports for opening and closing the valve.

FEATURES/BENEFITS

- The 60° and 90° balls offer an equal percentage flow characteristic
- Bubble tight shut off at high pressure drops
- Limit switches can be mounted to manual valves for remote monitoring
- Available with a variety of electric and pneumatic actuators

SPECIFICATIONS

VALVE

Service: Compatible liquids and gases.

Body: 2-piece.

Line Sizes: 1/2 to 3".

End Connections: 150# ANSI flange.

Pressure Limits: 20" Hg to 275 psi (-0.7 to 19 bar) up to 392°F.

Wetted Materials: Body and ball: 316 SS (CF8M); Stem: 316 SS; Seat: RTFE/PTFE; Seal, Washer, and Packing: PTFE.

Temperature Limits: -20 to 392°F (-29 to 200°C).

Other Materials: O-ring:

Fluoroelastomer; Handle: 304 SS; Washer: 301 SS; Stem Nut, Locking Device, Gland Ring: 304 SS; Handle Sleeve: PVC.

ACTUATORS

Pneumatic "DA" and "SR" Series

Type: DA series is double acting and SR series is spring return (rack and pinion).

Normal Supply Pressure: DA: 40 to 115 psi (2.7 to 7.9 bar); SR: 80 psi (5.5 bar).

Maximum Supply Pressure: 120 psi (8.6 bar).

Air Connections: DA01: 1/8" female NPT; DA02 to DA04: 1/4" female NPT; SR02 to SR06: 1/4" female NPT.

Housing Material: Anodized aluminum body and epoxy coated aluminum end caps.

Temperature Limits: -40 to 176°F (-40 to 80°C).

Accessory Mounting: NAMUR standard.

Electric "TD" and "MD" Series

Power Requirements: 110 VAC, 220 VAC, 24 VAC or 24 VDC (MD models not available in 24 VDC).

Power Consumption: See instruction manual.

Cycle Time (per 90°): TD01: 4 s; MD01: 10 s; TD02 and MD02: 20 s; TD03 and MD03: 30 s.

Duty Rating: 85%.

Enclosure Rating: NEMA 4X (IP67).

Housing Material: Powder coated aluminum.

Temperature Limits: -22 to 140°F (-30 to 60°C).

Electrical Connection: 1/2" female NPT.

Modulating Input: 4 to 20 mA.

Standard Features: Manual override, position indicator, and TD models come with two limit switches.

Electric "TI" and "MI" Series

Power Requirements: 110 VAC, 220 VAC, 24 VAC or 24 VDC.

Power Consumption: See instruction manual.

Cycle Time (per 90°): See instruction manual.

Duty Rating: See instruction manual.

Enclosure Rating: NEMA 7, designed to meet hazardous locations: Class I, Group C & D; Class II, Group E, F & G; Division I & II.

Housing Material: Powder coated aluminum.

Temperature Limits: -40 to 140°F (-40 to 60°C).

Electrical Connection: 1/2" female NPT.

Modulating Input: 4 to 20 mA.

Standard Features: Position indicator and two limit switches.

2-PIECE FLANGED STAINLESS STEEL V-BALL VALVE

150# ANSI Flange, V-Ball, Electric or Pneumatic Actuators

MODEL CHART							
Size	Cv (gal/min)		Popular Hand Operated Model	Popular Double Acting Pneumatic Model	Popular Spring Return Pneumatic Model	Popular NEMA 4X Two Position Electric (110 VAC) Model	Popular NEMA 4X Modulating Electric (110 VAC) Model
	60°	90°					
1/2"	7.9	9.1	WE07-CHD00-T	WE07-CDA01-T	WE07-CSR02-T	WE07-CTD01-T-A	WE07-CMD01-T-A
3/4"	13.6	14.2	WE07-DHD00-T	WE07-DDA01-T	WE07-DSR02-T	WE07-DTD01-T-A	WE07-DMD01-T-A
1"	22.3	29.1	WE07-EHD00-T	WE07-EDA03-T	WE07-ESR03-T	WE07-ETD01-T-A	WE07-EMD01-T-A
1-1/2"	46.2	75.5	WE07-GHD00-T	WE07-GDA03-T	WE07-GSR04-T	WE07-GTD02-T-A	WE07-GMD01-T-A
2"	104.7	138.4	WE07-HHD00-T	WE07-HDA03-T	WE07-HSR05-T	WE07-HTD02-T-A	WE07-HMD02-T-A
2-1/2"	147.5	220.3	WE07-IHD00-T	WE07-IDA04-T	WE07-ISR06-T	WE07-ITD03-T-A	WE07-IMD03-T-A
3"	209.1	308.3	WE07-JHD00-T	WE07-JDA04-T	WE07-JSR06-T	WE07-JTD03-T-A	WE07-JMD03-T-A

MODEL CHART - HAND OPERATED & PNEUMATIC ACTUATOR										
Example	WE07	-CSR02	-T	-N	N	09		WE07-CSR02-T-NN09		
Series	WE07							316 SS 2-piece 150# ANSI flange		
Size and Actuator		CHD00 DHD00 EHD00 GHD00 HHD00 IHD00 JHD00 CDA01 DDA01 EDA03 GDA03 HDA03 IDA04 JDA04 CSR02 DSR02 ESR03 GSR04 HSR05 ISR06 JSR06						1/2" hand operated 3/4" hand operated 1" hand operated 1-1/2" hand operated 2" hand operated 2-1/2" hand operated 3" hand operated 1/2" double acting 3/4" double acting 1" double acting 1-1/2" double acting 2" double acting 2-1/2" double acting 3" double acting 1/2" spring return 3/4" spring return 1" spring return 1-1/2" spring return 2" spring return 2-1/2" spring return 3" spring return		
V-Ball Angle					T N			60° v-ball 90° v-ball		
Solenoid					N A			No solenoid NEMA 4X		
Solenoid Voltage					N A B C D E			No solenoid 120 VAC 220 VAC 24 VAC 24 VDC 12 VDC		
Positioner and Switches						00 01 02 03 04 05 06 07 08 09		None 42AD0 exp limit switch 45VD0 exp position transmitter 42AD0-B ATEX limit switch 42AD0-IE IECEX limit switch VPI-M01 NEMA 4X limit switch QV-210101 poly limit switch VPS and P1 prox switch 265ER-D5 positioner 285ER-D5 smart positioner		
Options							NO	Fail open spring return actuator		

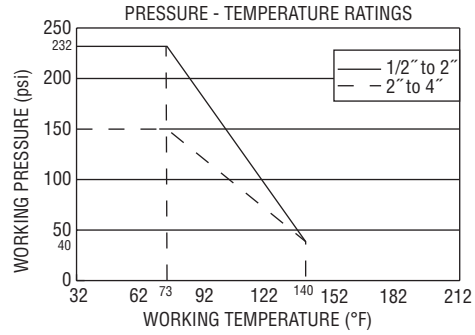
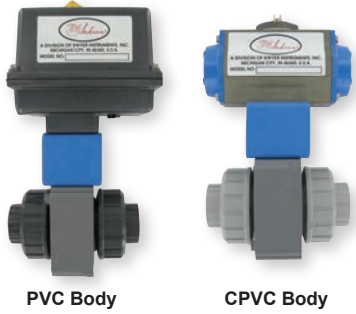
MODEL CHART - ELECTRIC ACTUATOR							
Example	WE07	-ETD01	-T	-B			WE07-ETD01-T-B
Series	WE07						316 SS 2-piece 150# ANSI flange
Size and Actuator		CTD01 DTD01 ETD01 GTD02 HTD02 ITD03 JTD03 CMD01 DMD01 EMD01 GMD01 HMD02 IMD03 JMD03 CTI01 DTI01 ETI02 GTI03 HTI04 ITI04 JTI05 CMI01 DMI01 EMI02 GMI03 HMI04 IMI04 JMI05					1/2" NEMA 4X two-position 3/4" NEMA 4X two-position 1" NEMA 4X two-position 1-1/2" NEMA 4X two-position 2" NEMA 4X two-position 2-1/2" NEMA 4X two-position 3" NEMA 4X two-position 1/2" NEMA 4X modulating 3/4" NEMA 4X modulating 1" NEMA 4X modulating 1-1/2" NEMA 4X modulating 2" NEMA 4X modulating 2-1/2" NEMA 4X modulating 3" NEMA 4X modulating 1/2" exp two-position 3/4" exp two-position 1" exp two-position 1-1/2" exp two-position 2" exp two-position 2-1/2" exp two-position 3" exp two-position 1/2" exp electric modulating 3/4" exp electric modulating 1" exp electric modulating 1-1/2" exp electric modulating 2" exp electric modulating 2-1/2" exp electric modulating 3" exp electric modulating
V-Ball Angle					T N		60° v-ball 90° v-ball
Actuator Voltage					A B C D		110 VAC 220 VAC 24 VAC 24 VDC

ACCESSORIES	
Model	Description
R2-2120	Air regulator
AFR2-2	Instrument air filter regulator
VB-01	Volume booster



PLASTIC AUTOMATED BALL VALVE

Electric and Pneumatic Actuators



The **SERIES PBV** is ideal for services in industrial, chemical, turf and irrigation, and pool and spa applications, as well as for use with potable water. The valve features a shear-proof stem designed to prevent leakage in the event of damage, reinforced TFE seats and EPDM seals for longer life, and an all-plastic construction (PVC or CPVC) for heavyweight durability at a lightweight cost. Valves also come standard with selectable NPT or socket process connections.

The PBV is an economical automated valve package with either an electric or pneumatic actuator. Electrically actuated models are weatherproof, NEMA 4 (IP56), powered by standard 115 VAC supply, and are available in either two-position or proportional control. Two-position actuators use the 115 VAC input to drive each of the valve ports open or closed, while the modulating actuator accepts a 4 to 20 mA input for infinite valve positioning. Actuator features include thermal overload protection to withstand stall conditions, visual position indication and a permanently lubricated gear train.

The pneumatic double acting actuator uses an air supply to drive each of the actuator ports. Spring return pneumatic actuators use the air supply to drive the valve stem one direction, and internally loaded springs return the valve to its original position. Also available is the SV3 solenoid valve to electrically switch the supply pressure between the air supply ports. Actuators are constructed of anodized aluminum and are epoxy coated for years of corrosion free service.

SPECIFICATIONS

Service: Compatible liquids or gases.
Body: 2-way.
Line Size: 1/2" to 4".
End Connections: Female NPT or socket (field selectable).
Pressure Limit: 1/2" to 2": 232 psi (16.0 bar) @ 73°F (23°C); 2-1/2" to 4": 150 psi (10.3 bar) @ 73°F (23°C) WOG. Vacuum: 29" Hg.
Wetted Materials: Body, end connectors: PVC or CPVC; Ball, stem: PVC or CPVC; Seat: TFE; Stem seal: EPDM.
Temperature Limit: 32 to 140°F (0 to 60°C).
Other Materials: Stem bearing: Polypropylene (1-1/4" and up).

Housing Material: Aluminum with thermal bonding polyester powder finish.
Temperature Limit: 0 to 150°F (-18 to 65°C).
Conduit Connection: 1/2" female NPT.
Modulating Input: 4 to 20 mA.
Standard Features: Manual override and visual position indicator except modulating units.

Pneumatic "DA" and "SR" Series
Type: DA series is double acting and SR series is spring return (rack and pinion).
Normal Supply Pressure: 80 psi (5.5 bar).
Maximum Supply Pressure: 120 psig (8 bar).
Air Connections: DA/SR1 to 5: 1/8" female NPT, all other sizes: 1/4" female NPT.
Air Consumption: (per stroke) DA1: 2.32 in³; DA2: 9.34 in³; DA3: 17.21 in³; DA4: 20.5 in³; SR2: 9.34 in³; SR3: 17.21 in³; SR6: 54.34 in³; SR7: 85.43 in³.
Cycle Time: (per 90°) DA1: .03 s; DA2: .04 s; DA3: .08 s; DA4: .12 s; SR2: .09 s; SR3: .14 s; SR6: .46 s; SR7: .83 s.
Housing Material: Anodized aluminum body and epoxy coated aluminum end caps.
Temperature Limit: -4 to 180°F (-20 to 82°C).
Accessory Mounting: NAMUR standard.
Standard Features: Visual position indicator.

ACTUATORS

Electric
Power Requirements: 120 VAC, 50/60 Hz, single phase. Optional 220 VAC, 24 VAC, 12 VDC, and 24 VDC.
Power Consumption: (Locked rotor current): Two position: 1/2" to 1-1/2": .55 A, 2" to 4": 0.75 A. Modulating: 1/2" to 2": 0.75 A, 2-1/2": 1.1 A, 3" and 4": 0.75 A.
Cycle Time: (per 90°): Two position: 1/2" to 1-1/2": 2.5 s, 2" and 2-1/2": 5 s, 3" and 4": 15 s; Modulating: 1/2" to 2-1/2": 5 s, 3" and 4": 15 s.
Duty Cycle: Two position: 1/2" to 1-1/2": 75%, 2" to 4": 25%. Modulating: 75%.
Enclosure Rating: NEMA 4. Optional NEMA 7 (Class 1, Div. II groups A, B, C, D).

OPTIONS		
To order add suffix:	Description	Actuator Size*
-EX	Explosion proof electric actuators	XX1-XX6

*Example: Third digit in U12 or V12 is the size

Note: For optional electric actuator supply voltages, contact factory for model number change

MODEL CHART - PVC					
Size	CV	Double Acting Pneumatic	Spring Return Pneumatic	Two Position Electric	Modulating Electric
		Model	Model	Model	Model
1/2"	25	PBVPDA102	PBVPSR202	PBVPU1102	PBVPV1202
3/4"	51	PBVPDA103	PBVPSR203	PBVPU1103	PBVPV1203
1"	97	PBVPDA104	PBVPSR204	PBVPU1104	PBVPV1204
1-1/4"	204	PBVPDA105	PBVPSR205	PBVPU1105	PBVPV1205
1-1/2"	285	PBVPDA206	PBVPSR306	PBVPU1106	PBVPV1206
2"	540	PBVPDA207	PBVPSR307	PBVPU1207	PBVPV1207
2-1/2"	712	PBVPDA308	PBVPSR608	PBVPU1308	PBVPV1308
3"	1294	PBVPDA309	PBVPSR609	PBVPU1509	PBVPV1509
4"	2629	PBVPDA410	PBVPSR710	PBVPU1510	PBVPV1510

Note: All spring return actuators are factory standard as spring (fail) close. For spring (fail) open valves, add suffix "-FO" to the model number.

MODEL CHART - CPVC					
Size	CV	Double Acting Pneumatic	Spring Return Pneumatic	Two Position Electric	Modulating Electric
		Model	Model	Model	Model
1/2"	25	PBVCDA102	PBVCSR202	PBVPU1102	PBVCV1202
3/4"	51	PBVCDA103	PBVCSR203	PBVPU1103	PBVCV1203
1"	97	PBVCDA104	PBVCSR204	PBVPU1104	PBVCV1204
1-1/4"	204	PBVCDA105	PBVCSR205	PBVPU1105	PBVCV1205
1-1/2"	285	PBVCDA206	PBVCSR306	PBVPU1106	PBVCV1206
2"	540	PBVCDA207	PBVCSR307	PBVPU1207	PBVCV1207
2-1/2"	712	PBVCDA308	PBVCSR608	PBVPU1308	PBVCV1308
3"	1294	PBVCDA309	PBVCSR609	PBVPU1509	PBVCV1509
4"	2629	PBVCDA410	PBVCSR710	PBVPU1510	PBVCV1510

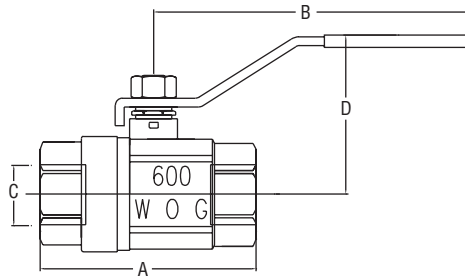
Note: All spring return actuators are factory standard as spring (fail) close. For spring (fail) open valves, add suffix "-FO" to the model number.

Valves, Ball, Automated

Filters and Regulators: See pages 425-426

BRASS BALL VALVE

Full Port, Economical, 600 psi (41 bar)



NPT Size	A in [mm]	B in [mm]	C in [mm]	D in [mm]
1/4"	1-39/64 [40.89]	3-5/32 [80.01]	5/16 [7.87]	1-47/64 [43.94]
3/8"	1-45/64 [43.18]	3-5/32 [80.01]	25/64 [9.91]	1-13/16 [45.97]
1/2"	2-3/16 [55.63]	3-55/64 [98.04]	19/32 [15.24]	2-11/64 [55.12]
3/4"	2-23/64 [59.94]	3-55/64 [98.04]	3/4 [19.05]	2-9/32 [57.91]
1"	2-7/8 [72.90]	4-13/32 [112.01]	63/64 [24.89]	2-11/16 [68.07]
1-1/4"	3-5/16 [84.07]	4-51/64 [121.92]	1-17/64 [32.00]	3-5/32 [80.01]
1-1/2"	3-47/64 [95.00]	5-7/16 [137.92]	1-9/16 [39.88]	3-55/64 [98.04]
2"	4-13/32 [112.01]	5-7/16 [137.92]	1-31/32 [50.04]	4-13/64 [106.93]
2-1/2"	5-53/64 [148.08]	8-1/2 [215.90]	2-31/64 [62.99]	4-61/64 [125.98]
3"	6-29/64 [163.83]	8-1/2 [215.90]	2-61/64 [74.93]	5-1/8 [130.05]

The **SERIES DBV** Brass Ball Valve is an economical hand lever ball valve ideal for commercial or general industrial use. The Series DBV is the ideal choice for a manual shut off valve, along with many other applications. Valve body, body cap and ball are made of a quality brass for great durability. Seats and stem packing are constructed of PTFE for long lasting service as well. Blowout-proof stem provides safety in the event of overpressure. Full port design allows for maximum Cv while still retaining minimal pressure drop.

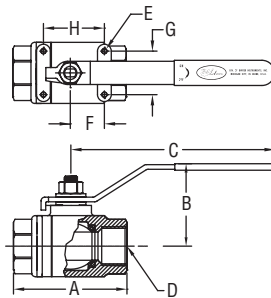
MODEL CHART			
Model	Pipe Size	Model	Pipe Size
DBV-00	1/4"	DBV-05	1-1/4"
DBV-01	3/8"	DBV-06	1-1/2"
DBV-02	1/2"	DBV-07	2"
DBV-03	3/4"	DBV-08	2-1/2"
DBV-04	1"	DBV-09	3"

SPECIFICATIONS

Service: Gases and liquids compatible with wetted materials.
End Connections: 1/4 to 3" female NPT.
Pressure Limits: -29" Hg to 600 psi (-736 mm Hg to 41 bar) WOG.
Temperature limit: -40 to 365°F (-40 to 185°C).
Wetted Materials: Body and Body Cap: Brass; Ball: Chrome plated brass; Stem: Brass; Seat and Packing: PTFE.
Other Materials: Body Gland and Stem Nut: Brass; Handle Cover: Rubber; Handle: Steel.

TWO-PIECE STAINLESS STEEL BALL VALVE

Full Port, 1000 psig (69 bar)



Dimensions (in)							
A (Ref)	B (Ref)	C (Ref)	D (NPT)	E (UNC)	F (+.015)	G (+.015)	H (+.015)
1/4"	2.165	4.055	1/4"	(2) 3/16-24	0.500	1.102	N/A
3/8"	2.165	4.055	3/8"	(2) 3/16-24	0.500	1.102	N/A
1/2"	2.559	5.236	1/2"	(2) 3/16-24	0.500	1.102	N/A
3/4"	2.992	5.236	3/4"	(2) 3/16-24	0.882	1.378	N/A
1"	3.465	6.024	1"	(2) 3/16-24	0.882	1.378	N/A
1-1/4"	3.976	6.024	1-1/4"	(2) 1/4-20	1.000	1.500	N/A
1-1/2"	4.331	7.520	1-1/2"	(2) 1/4-20	1.000	1.500	N/A
2"	4.882	7.520	2"	(4) 1/4-20	1.000	1.500	2.000
2-1/2"	6.299	9.724	2-1/2"	(4) 1/4-20	1.382	2.165	2.764
3"	6.929	9.724	3"	(4) 1/4-20	1.382	2.165	2.764

The **SERIES BV2** is the economical choice for high quality, SS ball valves for use in chemical, petrochemical, pulp and paper and general applications. The Series BV2 body and endcaps are constructed of investment cast SS, while stem is 316 SS. Seats and body seals are 15% glass reinforced PTFE providing broad media compatibility and bubble tight shutoff to 1000 psig (69 bar). Internally loaded, blowout-proof stem provides safety in the event of overpressure. Full port design allows for maximum Cv with minimal pressure drop. Integral actuator mounting pads allows for ease of automation.

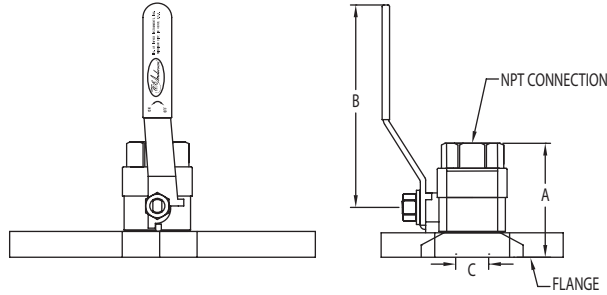
MODEL CHART			
Model	Size	Model	Size
BV2M100	1/4"	BV2M105	1-1/4"
BV2M101	3/8"	BV2M106	1-1/2"
BV2M102	1/2"	BV2M107	2"
BV2M103	3/4"	BV2M108	2-1/2"
BV2M104	1"	BV2M109	3"

SPECIFICATIONS

End Connections: Female NPT.
Pressure Limits: 1000 psi (69 bar) WOG, 150 psi (10.3 bar) SWP.
Wetted Materials: Body, ball, end cap: CF8M SS; Stem: 316 SS; Seat, thrust washer: RTFE; End gasket, stem packing: PTFE.
Temperature Limits: -20 to 450°F (-29 to 232°C).

UNI-FLANGED BALL VALVE

Forged Brass Construction, Economical, 600 psi (41 bar)



NPT Size	A in [mm]	B in [mm]	C in [mm]
1/2"	1-63/43 [50.29]	2-7/8 [72.90]	35/64 [13.97]
3/4"	2-3/16 [55.37]	2-7/8 [72.90]	49/64 [19.30]
1"	2-31/64 [62.99]	2-7/8 [72.90]	61/64 [24.38]
1-1/4"	2-27/32 [72.14]	4 [101.60]	1-3/16 [29.97]
1-1/2"	3-15/64 [82.04]	4-5/32 [105.41]	1-31/64 [37.85]
2"	3-9/16 [90.42]	4-5/32 [105.41]	1-37/32 [46.99]

The **SERIES UBV** Uni-Flanged Ball Valve is an economical yet durable ball valve great for residential or industrial use. The forged brass body provides the strength and versatility needed for any application. The ball valve is constructed of quality brass in conjunction with PTFE ball seats to work with up to 600 psi (41 bar) of working pressure. Full port construction helps to reduce flow resistance while still maintaining great durability with its uni-body construction. Available in a wide variety of sizes for versatile application.

SPECIFICATIONS

Service: Gases and liquids compatible with wetted materials.

End Connections: Female NPT.

Pressure Limits: -29" Hg to 600 psi (-736 mm Hg to 41.3 bar).

Temperature Limit: -40 to 365°F (-40 to 185°C).

Wetted Materials: Body and cap: Brass; Ball: Chrome plated brass; Stem: Brass; Stem packing and ball seat: PTFE.

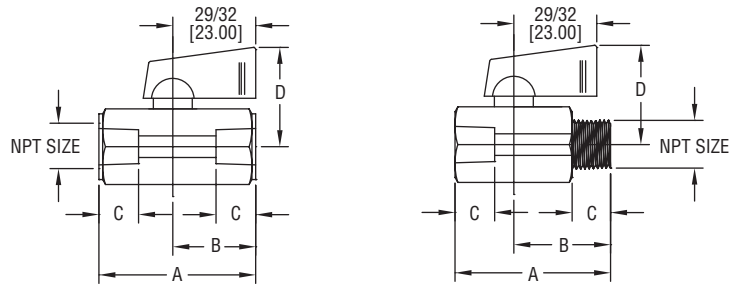
Other Materials: Gland and stem nut: Brass; Handle: Steel; Grip: Rubber.

MODEL CHART

Model	Pipe Size	Model	Pipe Size
UBV-00	1/2"	UBV-03	1-1/4"
UBV-01	3/4"	UBV-04	1-1/2"
UBV-02	1"	UBV-05	2"

MINI STAINLESS STEEL BALL VALVE

Economical, Wide Chemical Compatibility, Compact



Female X Female Connection
SMV2-WFX

Male X Female Connection
SMV2-WMX

The **SERIES SMV2** Mini Stainless Steel Ball Valves are ideal for small, confined spaces, where larger valves are unsuitable. The 316SS and PTFE wetted materials are excellent for applications with corrosive media. The handles are made of a rigid nylon for extended durability. Installation is made easy with a choice of FxF or MxF process connections. PTFE ball seats provide broad media compatibility and bubble tight shutoff.

FEATURES/BENEFITS

- High working pressure
- Abrasion resistant
- Easy to install
- Economical
- Wide chemical compatibility

SPECIFICATIONS

Service: Gases and liquids compatible with wetted materials. Not rated for steam use.

End Connections: NPT, see model chart.

Pressure Limits: 1/8" to 3/8", 1000 psi (68.9 bar) WOG; 1/2", 800 psi (51.1 bar) WOG.

Temperature Limits: 212°F (100°C) maximum.

Wetted Materials: Valve Body: Cast 316 SS (CF8M); Valve Ball, Insert and Stem: 316 SS; Ball Seat: PTFE.

Agency Approvals: Meets the technical requirements of EU Directive 2011/65/EU (RoHS II).

MODEL CHART

Pipe Size	Female x Female Model	Male x Female Model
1/8"	SMV2-WF1	SMV2-WM1
1/4"	SMV2-WF2	SMV2-WM2
3/8"	SMV2-WF3	SMV2-WM3
1/2"	SMV2-WF4	SMV2-WM4

MINI BRASS BALL VALVE

Economical, Compact Design



Lever Handle



Screwdriver Slot



Tee Handle



Wedge Handle

SERIES MV Mini Brass Ball Valves are ideal for use in small, confined spaces, where larger valves are of no use. Installation is made easy with a choice of FxF or MxF process connections. Pure PTFE ball seats provide broad media compatibility and bubble tight shutoff. Double seal system allows valve to be operated in both directions.

SPECIFICATIONS

Service: Gases and liquid compatible with wetted materials. Not rated for steam use.

End Connections: NPT, see model chart.

Pressure Limits: -29" Hg to 450 psi (-736 mm Hg to 31 bar).

Temperature Limits: -4 to 250°F (-20 to 121°C).

Wetted Materials: Valve Body: Chrome-plated brass; Valve Ball: Chrome-plated brass; O-ring Stem Seal: Fluoroelastomer; Ball Seats: PTFE.

MODEL CHART					
Female x Female			Male x Female		
Model	Handle Style	Pipe Size	Model	Handle Style	Pipe Size
MVB-LF1	Lever handle	1/8"	MVB-LM1	Lever handle	1/8"
MVB-LF2	Lever handle	1/4"	MVB-LM2	Lever handle	1/4"
MVB-LF3	Lever handle	3/8"	MVB-LM3	Lever handle	3/8"
MVB-LF4	Lever handle	1/2"	MVB-LM4	Lever handle	1/2"
MVB-TF1	Tee handle	1/8"	MVB-TM1	Tee handle	1/8"
MVB-TF2	Tee handle	1/4"	MVB-TM2	Tee handle	1/4"
MVB-TF3	Tee handle	3/8"	MVB-TM3	Tee handle	3/8"
MVB-TF4	Tee handle	1/2"	MVB-TM4	Tee handle	1/2"
MVB-WF1	Wedge handle	1/8"	MVB-WM1	Wedge handle	1/8"
MVB-WF2	Wedge handle	1/4"	MVB-WM2	Wedge handle	1/4"
MVB-WF3	Wedge handle	3/8"	MVB-WM3	Wedge handle	3/8"
MVB-WF4	Wedge handle	1/2"	MVB-WM4	Wedge handle	1/2"
MV5-SF1	Screwdriver slot	1/8"	MV5-SM1	Screwdriver slot	1/8"
MV5-SF2	Screwdriver slot	1/4"	MV5-SM2	Screwdriver slot	1/4"
MV5-SF3	Screwdriver slot	3/8"	MV5-SM3	Screwdriver slot	3/8"
MV5-SF4	Screwdriver slot	1/2"	MV5-SM4	Screwdriver slot	1/2"

3-WAY NPT STAINLESS STEEL BALL VALVE

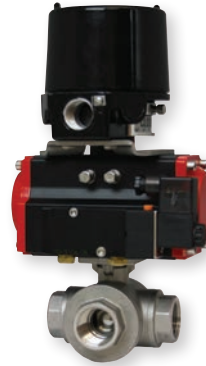
Full Port, Vented Ball, Electric or Pneumatic Actuators



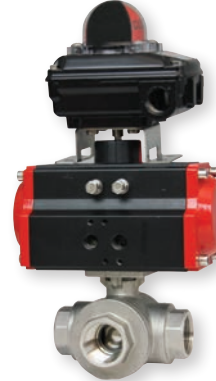
WE31-DHD00-T1



WE31-DDA02-L1



WE31-DDA02-T1-AA01



WE31-DDA02-T3-NN05



WE31-DTD01-T3-A



Scan here
to watch
product video

The **SERIES WE31** incorporates a full port 3-way SS ball valve for great flow rates with minimal pressure drop. The valve features a blowout-proof stem for added safety, reinforced PTFE seats and seals for longer life, and a 316 SS (ASTM CF8M) ball for better performance. Actuators are direct mounted creating a compact assembly for tight spaces. Limit switches are able to be mounted directly to the valves allowing for remote position indication.

The Series WE31 can be configured with either an electric or pneumatic actuator. Electric actuators are available in weatherproof or explosion-proof, a variety of supply voltages and two-position or modulating control. Two-position actuators use the supply voltage to drive the valve open or closed, while the modulating actuator accepts a 4 to 20 mA input for valve positioning. Actuators feature thermal overload protection and permanently lubricated gear train.

The pneumatic double acting actuator uses an air supply to drive the valve open and closed. The actuator has two supply ports, with one driving the valve open and the other driving the valve closed. Spring return pneumatic actuators use the air supply to open the valve, and internally loaded springs return the valve to the closed position. Also available is the SN solenoid valve to electrically switch the air supply pressure between the air supply ports for opening and closing the valve. Actuators are constructed of anodized and epoxy coated aluminum for years of corrosion free service.

FEATURES/BENEFITS

- Capable of being configured to fit any application
- Limit switches can be mounted to manual valves for remote monitoring
- Vented ball to reduce operating torque
- Weatherproof or explosion-proof electric actuators
- Double acting or spring return anodized aluminum pneumatic actuators
- Full port design reduces the pressure drop across the valve

APPLICATIONS

- Gas or liquid flow control
- Ideal for quick bubble tight shut-off
- Mixing or diverting liquids and gases

SPECIFICATIONS

VALVE

Service: Compatible liquids and gases.

Body: 3-way.

Line Sizes: 1/2 to 2".

End Connections: Female NPT.

Pressure Limits: 28" Hg to 1000 psi (-0.7 to 69 bar) up to 250°F.

Wetted Materials: Body and ball: 316 SS (CF8M); Stem: 316 SS; Seat: RTFE/PTFE; Seal, Washer, and Packing: PTFE.

Temperature Limits: -20 to 392°F (-29 to 200°C).

Other Materials: O-ring:

Fluoroelastomer; Handle: 304 SS; Washer: 301 SS; Stem Nut, Locking Device, Gland Ring: 304 SS; Handle Sleeve: PVC.

ACTUATORS

Pneumatic "DA" and "SR" Series

Type: DA series is double acting and SR series is spring return (rack and pinion).
Normal Supply Pressure: DA: 40 to 115 psi (2.7 to 7.9 bar); SR: 80 psi (5.5 bar).
Maximum Supply Pressure: 120 psi (8.6 bar).

Air Connections: DA01: 1/8" female NPT; DA02 to DA04: 1/4" female NPT; SR03 to SR07: 1/4" female NPT.

Housing Material: Anodized aluminum body and epoxy coated aluminum end caps.

Temperature Limits: -40 to 176°F (-40 to 80°C).

Accessory Mounting: NAMUR standard.

Electric "TD" and "MD" Series

Power Requirements: 110 VAC, 220 VAC, 24 VAC or 24 VDC (MD models not available in 24 VDC).
Power Consumption: See instruction manual.

Cycle Time (per 90°): TD01: 4 s; MD01: 10 s; TD02 and MD02: 20 s; TD03 and MD03: 30 s.

Duty Rating: 85%.

Enclosure Rating: NEMA 4X (IP67).

Housing Material: Powder coated aluminum.

Temperature Limits: -22 to 140°F (-30 to 60°C).

Electrical Connection: 1/2" female NPT.

Modulating Input: 4 to 20 mA.

Standard Features: Manual override, position indicator, and TD models come with two limit switches.

Electric "TI" and "MI" Series

Power Requirements: 110 VAC, 220 VAC, 24 VAC or 24 VDC.

Power Consumption: See instruction manual.

Cycle Time (per 90°): See instruction manual.

Duty Rating: See instruction manual.

Enclosure Rating: NEMA 7, designed to meet hazardous locations: Class I, Group C & D; Class II, Group E, F & G; Division I & II.

Housing Material: Powder coated aluminum.

Temperature Limits: -40 to 140°F (-40 to 60°C).

Electrical Connection: 1/2" female NPT.

Modulating Input: 4 to 20 mA.

Standard Features: Position indicator and two limit switches.

3-WAY NPT STAINLESS STEEL BALL VALVE

Full Port, Vented Ball, Electric or Pneumatic Actuators

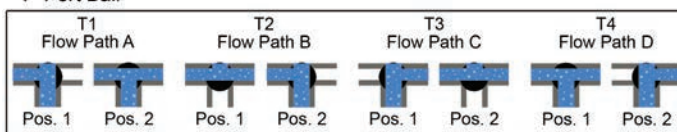
MODEL CHART						
Size	Cv (gal/min)	Popular Hand Operated Model	Popular Double Acting Pneumatic Model	Popular Spring Return Pneumatic Model	Popular NEMA 4X Two Position Electric (110 VAC) Model	Popular NEMA 4X Modulating Electric (110 VAC) Model
1/2"	11	WE31-CHD00-T1	WE31-CDA02-T2	WE31-CSR02-T2	WE31-CTD01-T2-A	WE31-CMD01-T2-A
3/4"	14	WE31-DHD00-T1	WE31-DDA02-T2	WE31-DSR02-T2	WE31-DTD01-T2-A	WE31-DMD01-T2-A
1"	18	WE31-EHD00-T1	WE31-EDA03-T2	WE31-ESR04-T2	WE31-ETD02-T2-A	WE31-EMD02-T2-A
1-1/4"	43	WE31-FHD00-T1	WE31-FDA03-T2	WE31-FSR05-T2	WE31-FTD02-T2-A	WE31-FMD02-T2-A
1-1/2"	84	WE31-GHD00-T1	WE31-GDA04-T2	WE31-GSR06-T2	WE31-GTD03-T2-A	WE31-GMD03-T2-A
2"	90	WE31-HHD00-T1	WE31-HDA04-T2	WE31-HSR07-T2	WE31-HTD03-T2-A	WE31-HMD03-T2-A

MODEL CHART - HAND OPERATED & PNEUMATIC ACTUATOR						
Example	WE31	-CSR02	-T1	-A	A	00
Series	WE31					316 SS 3-way NPT
Size and Range		CHD00 DHD00 EHD00 FHD00 GHD00 HHD00 CDA02 DDA02 EDA03 FDA03 GDA04 HDA04 CSR02 DSR02 ESR04 FSR05 GSR06 HSR07				1/2" hand operated 3/4" hand operated 1" hand operated 1-1/4" hand operated 1-1/2" hand operated 2" hand operated 1/2" double acting 3/4" double acting 1" double acting 1-1/4" double acting 1-1/2" double acting 2" double acting 1/2" spring return 3/4" spring return 1" spring return 1-1/4" spring return 1-1/2" spring return 2" spring return
Valve Position			T1 T2 T3 T4 L1			Flow path A Flow path B Flow path C Flow path D Flow path E
Solenoid				N A		No solenoid NEMA 4X NAMUR solenoid
Solenoid Voltage				N A B C D E		No solenoid 110 VAC 220 VAC 24 VAC 24 VDC 12 VDC
Positioner and Switches						00 None 01 42AD0 exp limit switch 02 45VD0 exp position transmitter 03 42AD0-B ATEX limit switch 04 42AD0-IE IECEX limit switch 05 VPI-M01 NEMA 4X limit switch 06 QV-210101 poly limit switch 07 VPS and P1 prox switch 08 265ER-D5 positioner 09 285ER-D5 smart positioner

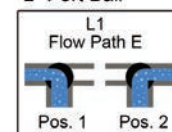
MODEL CHART - ELECTRIC ACTUATOR					
Example	WE31	-DMI02	-T2	-A	WE31-DMI02-T2-A
Series	WE31				316 SS 3-way NPT
Size and Range		CTD01 DTD01 ETD02 FTD02 GTD03 HTD03 CMD01 DMD01 EMD02 FMD02 GMD03 HMD03 CTI01 DTI02 ETI02 FTI04 GTI05 HTI06 CMI01 DMI02 EMI02 FMI04 GMI05 HMI06			1/2" NEMA 4X two-position 3/4" NEMA 4X two-position 1" NEMA 4X two-position 1-1/4" NEMA 4X two-position 1-1/2" NEMA 4X two-position 2" NEMA 4X two-position 1/2" NEMA 4X modulating 3/4" NEMA 4X modulating 1" NEMA 4X modulating 1-1/4" NEMA 4X modulating 1-1/2" NEMA 4X modulating 2" NEMA 4X modulating 1/2" exp two-position 3/4" exp two-position 1" exp two-position 1-1/4" exp two-position 1-1/2" exp two-position 2" exp two-position 1/2" exp electric modulating 3/4" exp electric modulating 1" exp electric modulating 1-1/4" exp electric modulating 1-1/2" exp electric modulating 2" exp electric modulating
Valve Position			T1 T2 T3 T4 L1		Flow path A Flow path B Flow path C Flow path D Flow path E
Actuator Voltage				A B C D	110 VAC 220 VAC 24 VAC 24 VDC

ACCESSORIES	
Model	Description
R2-2120	Air regulator
AFR2-2	Instrument air filter regulator
VB-01	Volume booster

"T" Port Ball



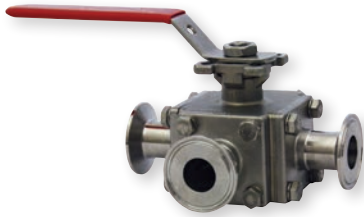
"L" Port Ball



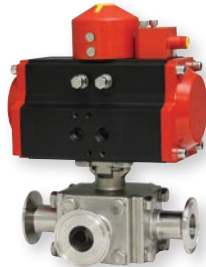
Valves, Ball, Automated

3-WAY TRI-CLAMP STAINLESS STEEL BALL VALVE

Cavity Filled, Electric and Pneumatic Actuators



WE33-DHD00-T2



WE33-ESR03-T1-NN07



WE33-DDA01-L1-AA06



WE33-DTD01-T3-A



WE33-DT101-T2-A



Scan here
to watch
product video

The **SERIES WE33** incorporates a full port 3-way tri-clamp SS ball valve for great flow rates with minimal pressure drop. The valve features a blowout-proof stem for added safety, reinforced PTFE seats and seals for longer life, and a 316 SS (ASTM CF8M) ball for better performance. Actuators are direct mounted creating a compact assembly for tight spaces. Limit switches are able to be mounted directly to the valves allowing for remote position indication.

The Series WE33 can be configured with either an electric or pneumatic actuator. Electric actuators are available in weatherproof or explosion-proof, a variety of supply voltages and two-position or modulating control. Two-position actuators use the supply voltage to drive the valve open or close, while the modulating actuator accepts a 4 to 20 mA input for valve positioning. Actuators feature thermal overload protection and permanently lubricated gear train.

The pneumatic double acting actuator uses an air supply to drive the valve open and closed. The actuator has two supply ports, with one driving the valve open and the other driving the valve closed. Spring return pneumatic actuators use the air supply to open the valve, and internally loaded springs return the valve to the closed position. Also available is the SN solenoid valve to electrically switch the air supply pressure between the air supply ports for opening and closing the valve. Actuators are constructed of anodized and epoxy coated aluminum for years of corrosion free service.

FEATURES/BENEFITS

- Capable of being configured to fit any application
- Limit switches can be mounted to manual valves for remote monitoring
- Cavity filled valve for sanitary applications
- Weatherproof or explosion-proof electric actuators
- Double acting or spring return anodized aluminum pneumatic actuators
- Full port design reduces the pressure drop across the valve

APPLICATIONS

- Gas or liquid flow control
- Ideal for quick bubble tight shut-off
- Mixing or diverting liquids and gases

SPECIFICATIONS

VALVE

Service: Compatible liquids and gases.

Body: 3-way.

Line Sizes: 1/2 to 2".

End Connections: Tri-clamp ends.

Pressure Limits: 20" Hg to 1000 psi (-0.7 to 69 bar) up to 250°F.

Wetted Materials: Body and ball: 316 SS (CF8M); Stem: 316 SS; Seat: RTFE/PTFE; Seal, Washer, and Packing: PTFE.

Temperature Limits: -20 to 392°F (-29 to 200°C).

Other Materials: O-ring:

Fluoroelastomer; Handle: 304 SS; Washer: 301 SS; Stem Nut, Locking Device, Gland Ring: 304 SS; Handle Sleeve: PVC.

ACTUATORS

Pneumatic "DA" and "SR" Series

Type: DA series is double acting and SR series is spring return (rack and pinion).

Normal Supply Pressure: DA: 40 to 115 psi (2.7 to 7.9 bar); SR: 80 psi (5.5 bar).

Maximum Supply Pressure: 120 psi (8.6 bar).

Air Connections: DA01: 1/8" female NPT; DA02 to DA03: 1/4" female NPT; SR02 to SR04: 1/4" female NPT.

Housing Material: Anodized aluminum body and epoxy coated aluminum end caps.

Temperature Limits: -40 to 176°F (-40 to 80°C).

Accessory Mounting: NAMUR standard.

Electric "TD" and "MD" Series

Power Requirements: 110 VAC, 220 VAC, 24 VAC or 24 VDC

(MD models not available in 24 VDC).

Power Consumption: See instruction manual.

Cycle Time (per 90°): TD01: 4 s; MD01: 10 s; TD02 and MD02: 20 s.

Duty Rating: 85%.

Enclosure Rating: NEMA 4X (IP67).

Housing Material: Powder coated aluminum.

Temperature Limits: -22 to 140°F (-30 to 60°C).

Electrical Connection: 1/2" female NPT.

Modulating Input: 4 to 20 mA.

Standard Features: Manual override, position indicator, and TD models come with two limit switches.

Electric "TI" and "MI" Series

Power Requirements: 110 VAC, 220 VAC, 24 VAC or 24 VDC.

Power Consumption: See instruction manual.

Cycle Time (per 90°): See instruction manual.

Duty Rating: See instruction manual.

Enclosure Rating: NEMA 7, designed to meet hazardous locations: Class I, Group C & D; Class II, Group E, F & G; Division I & II.

Housing Material: Powder coated aluminum.

Temperature Limits: -40 to 140°F (-40 to 60°C).

Electrical Connection: 1/2" female NPT.

Modulating Input: 4 to 20 mA.

Standard Features: Position indicator and two limit switches.

3-WAY TRI-CLAMP STAINLESS STEEL BALL VALVE

Cavity Filled, Electric and Pneumatic Actuators

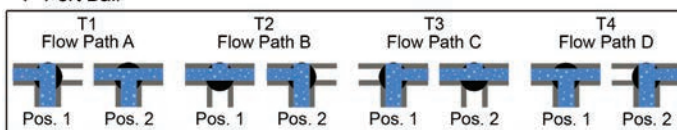
MODEL CHART						
Size	Cv (gal/min)	Popular Hand Operated Model	Popular Double Acting Pneumatic Model	Popular Spring Return Pneumatic Model	Popular NEMA 4X Two Position Electric (110 VAC) Model	Popular NEMA 4X Modulating Electric (110 VAC) Model
1/2"	14.39	WE33-CHD00-T2	WE33-CDA01-T2	WE33-CSR02-T2	WE33-CTD01-T2-A	WE33-CMD01-T2-A
3/4"	42.25	WE33-DHD00-T2	WE33-DDA01-T2	WE33-DSR02-T2	WE33-DTD01-T2-A	WE33-DMD01-T2-A
1"	86.17	WE33-EHD00-T2	WE33-EDA02-T2	WE33-ESR03-T2	WE33-ETD01-T2-A	WE33-EMD01-T2-A
1-1/2"	223.61	WE33-GHD00-T2	WE33-GDA02-T2	WE33-GSR03-T2	WE33-GTD02-T2-A	WE33-GMD02-T2-A
2"	437.98	WE33-HHD00-T2	WE33-HDA03-T2	WE33-HSR04-T2	WE33-HTD02-T2-A	WE33-HMD02-T2-A

MODEL CHART - HAND OPERATED & PNEUMATIC ACTUATOR						
Example	WE33	-CSR02	-T4	-N	N	07
Series	WE33					316 SS 3-way tri-clamp
Size and Actuator		CHD00 DHD00 EHD00 GHD00 HHD00 CDA01 DDA01 EDA02 GDA02 HDA03 CSR02 DSR02 ESR03 GSR03 HSR04				1/2" hand operated 3/4" hand operated 1" hand operated 1-1/2" hand operated 2" hand operated 1/2" double acting 3/4" double acting 1" double acting 1-1/2" double acting 2" double acting 1/2" spring return 3/4" spring return 1" spring return 1-1/2" spring return 2" spring return
Valve Position			T1 T2 T3 T4 L1			Flow path A Flow path B Flow path C Flow path D Flow path E
Solenoid				N A		No solenoid NEMA 4X NAMUR solenoid
Solenoid Voltage					N A B C D E	No solenoid 110 VAC 220 VAC 24 VAC 24 VDC 12 VDC
Positioner and Switches						00 None 01 42AD0 exp limit switch 02 45VD0 exp position transmitter 03 42AD0-B ATEX limit switch 04 42AD0-IE IECEX limit switch 05 VPI-M01 NEMA 4X limit switch 06 QV-210101 poly limit switch 07 VPS and P1 prox switch 08 265ER-D5 positioner 09 285ER-D5 smart positioner

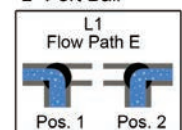
MODEL CHART - ELECTRIC ACTUATOR				
Example	WE33	-DMD01	-T2	-B
Series	WE33			
Size and Actuator		CTD01 DTD01 ETD01 GTD02 HTD02 CMD01 DMD01 EMD01 GMD02 HMD02 CTI01 DTI01 ETI02 GTI02 HTI03 CMI01 DMI01 EMI02 GMI02 HMI03		
Valve Position			T1 T2 T3 T4 L1	
Actuator Voltage				A B C D
				110 VAC 220 VAC 24 VAC 24 VDC

ACCESSORIES	
Model	Description
R2-2120	Air regulator
AFR2-2	Instrument air filter regulator
VB-01	Volume booster

"T" Port Ball



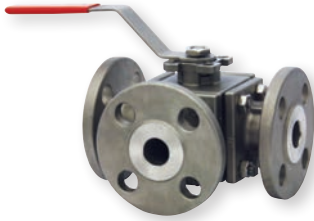
"L" Port Ball



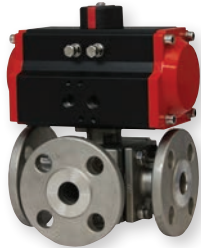
Valves, Ball, Automated

3-WAY FLANGED STAINLESS STEEL BALL VALVE

150# ANSI Flange, Vented Ball, Electric or Pneumatic Actuators



WE34-DHD00-L1



WE34-DDA03-T2



WE34-DDA03-T1-AA01



WE34-DDA03-T2-NN08



WE34-DTI03-T3-A



Scan here
to watch
product video

The **SERIES WE34** incorporates a full port 3-way flanged SS ball valve for great flow rates with minimal pressure drop. The valve features a blowout-proof stem for added safety, reinforced PTFE seats and seals for longer life, and a 316 SS (ASTM CF8M) ball for better performance. Actuators are direct mounted creating a compact assembly for tight spaces. Limit switches are able to be mounted directly to the valves allowing for remote position indication.

The Series WE34 can be configured with either an electric or pneumatic actuator. Electric actuators are available in weatherproof or explosion-proof, a variety of supply voltages and two-position or modulating control. Two-position actuators use the supply voltage to drive the valve open or closed, while the modulating actuator accepts a 4 to 20 mA input for valve positioning. Actuators feature thermal overload protection and permanently lubricated gear train.

The pneumatic double acting actuator uses an air supply to drive the valve open and closed. The actuator has two supply ports, with one driving the valve open and the other driving the valve closed. Spring return pneumatic actuators use the air supply to open the valve and internally loaded springs return the valve to the closed position. Also available is the SN solenoid valve to electrically switch the air supply pressure between the air supply ports for opening and closing the valve. Actuators are constructed of anodized and epoxy coated aluminum for years of corrosion free service.

FEATURES/BENEFITS

- Capable of being configured to fit any application
- Limit switches can be mounted to manual valves for remote monitoring
- Vented ball to reduce operating torque
- Weatherproof or explosion-proof electric actuators
- Double acting or spring return anodized aluminum pneumatic actuators
- Full port design reduces the pressure drop across the valve
- Eliminates threads and reduces installation and maintenance time

APPLICATIONS

- Gas or liquid flow control
- Ideal for quick bubble tight shut-off
- Mixing or diverting liquids and gases

SPECIFICATIONS

VALVE

Service: Compatible liquids and gases.

Body: 3-way.

Line Sizes: 1/2 to 3".

End Connections: 150# ANSI flange.

Pressure Limits: 28" Hg to 275 psi (-0.7 to 19 bar) up to 392°F.

Wetted Materials: Body and ball: 316 SS (CF8M); Stem: 316 SS; Seat: RTFE/PTFE; Seal, Washer, and Packing: PTFE.

Temperature Limits: -20 to 392°F (-29 to 200°C).

Other Materials: O-ring:

Fluoroelastomer; Handle: 304 SS; Washer: 301 SS; Stem Nut, Locking Device, Gland Ring: 304 SS; Handle Sleeve: PVC.

ACTUATORS

Pneumatic "DA" and "SR" Series

Type: DA series is double acting and SR series is spring return (rack and pinion).
Normal Supply Pressure: DA: 40 to 115 psi (2.7 to 7.9 bar); SR: 80 psi (5.5 bar).
Maximum Supply Pressure: 120 psi (8.6 bar).

Air Connections: DA01: 1/8" female NPT; DA02 to DA08: 1/4" female NPT; SR03 to SR09: 1/4" female NPT.

Housing Material: Anodized aluminum body and epoxy coated aluminum end caps.

Temperature Limits: -40 to 176°F (-40 to 80°C).

Accessory Mounting: NAMUR standard.

Electric "TD" and "MD" Series

Power Requirements: 110 VAC, 220 VAC, 24 VAC or 24 VDC (MD models not available in 24 VDC).
Power Consumption: See instruction manual.

Cycle Time (per 90°): TD01: 4 s; MD01: 10 s; TD02 and MD02: 20 s; TD03 and MD03: 30 s; TD04 and MD04: 30 s.

Duty Rating: 85%.

Enclosure Rating: NEMA 4X (IP67).

Housing Material: Powder coated aluminum.

Temperature Limits: -22 to 140°F (-30 to 60°C).

Electrical Connection: 1/2" female NPT.

Modulating Input: 4 to 20 mA.

Standard Features: Manual override, position indicator, and TD models come with two limit switches.

Electric "TI" and "MI" Series

Power Requirements: 110 VAC, 220 VAC, 24 VAC or 24 VDC.

Power Consumption: See instruction manual.

Cycle Time (per 90°): See instruction manual.

Duty Rating: See instruction manual.

Enclosure Rating: NEMA 7, designed to meet hazardous locations: Class I, Group C & D; Class II, Group E, F & G; Division I & II.

Housing Material: Powder coated aluminum.

Temperature Limits: -40 to 140°F (-40 to 60°C).

Electrical Connection: 1/2" female NPT.

Modulating Input: 4 to 20 mA.

Standard Features: Position indicator and two limit switches.

3-WAY FLANGED STAINLESS STEEL BALL VALVE

150# ANSI Flange, Vented Ball, Electric or Pneumatic Actuators

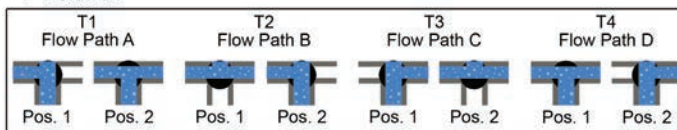
MODEL CHART						
Size	Cv (gal/min)	Popular Hand Operated Model	Popular Double Acting Pneumatic Model	Popular Spring Return Pneumatic Model	Popular NEMA 4X Two Position Electric (110 VAC) Model	Popular NEMA 4X Modulating Electric (110 VAC) Model
1/2"	26	WE34-CHD00-T2	WE34-CDA02-T2	WE34-CSR03-T2	WE34-CTD02-T2-A	WE34-CMD01-T2-A
3/4"	50	WE34-DHD00-T2	WE34-DDA02-T2	WE34-DSR03-T2	WE34-DTD02-T2-A	WE34-DMD01-T2-A
1"	94	WE34-EHD00-T2	WE34-EDA03-T2	WE34-ESR05-T2	WE34-ETD02-T2-A	WE34-EMD02-T2-A
1-1/2"	260	WE34-GHD00-T2	WE34-GDA05-T2	WE34-GSR06-T2	WE34-GTD03-T2-A	WE34-GMD03-T2-A
2"	380	WE34-HHD00-T2	WE34-HDA06-T2	WE34-HSR07-T2	WE34-HTD03-T2-A	WE34-HMD03-T2-A
2-1/2"	650	WE34-IHD00-T2	WE34-IDA07-T2	WE34-ISR08-T2	WE34-ITD04-T2-A	WE34-IMD04-T2-A
3"	1000	WE34-JHD00-T2	WE34-JDA08-T2	WE34-JSR09-T2	WE34-JTD04-T2-A	WE34-JMD04-T2-A

MODEL CHART - HAND OPERATED & PNEUMATIC ACTUATOR						
Example	WE34	-JDA08	-T1	-A	B	00
Series	WE34					316 SS 3-way 150# ANSI flange
Size and Actuator		CHD00 DHD00 EHD00 GHD00 HHD00 IHD00 JHD00 CDA02 DDA02 EDA03 GDA05 HDA06 IDA07 JDA08 CSR03 DSR03 ESR05 GSR06 HSR07 ISR08 JSR09				1/2" hand operated 3/4" hand operated 1" hand operated 1-1/2" hand operated 2" hand operated 2-1/2" hand operated 3" hand operated 1/2" double acting 3/4" double acting 1" double acting 1-1/2" double acting 2" double acting 2-1/2" double acting 3" double acting 1/2" spring return 3/4" spring return 1" spring return 1-1/2" spring return 2" spring return 2-1/2" spring return 3" spring return
Valve Position			T1 T2 T3 T4 L1			Flow path A Flow path B Flow path C Flow path D Flow path E
Solenoid				N A		No solenoid NEMA 4X NAMUR solenoid
Solenoid Voltage				N A B C D E		No solenoid 110 VAC 220 VAC 24 VAC 24 VDC 12 VDC
Positioner and Switches						00 None 01 42AD0 exp limit switch 02 45VD0 exp position transmitter 03 42AD0-B ATEX limit switch 04 42AD0-IE IECEX limit switch 05 VPI-M01 NEMA 4X limit switch 06 QV-210101 poly limit switch 07 VPS and P1 prox switch 08 265ER-D5 positioner 09 285ER-D5 smart positioner

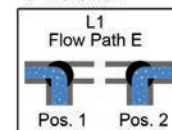
MODEL CHART - ELECTRIC ACTUATOR					
Example	WE34	-HMD03	-T3	-A	WE34-HMD03-T3-A
Series	WE34				316 SS 3-way 150# ANSI flange
Size and Actuator		CTD02 DTD02 ETD02 GTD03 HTD03 ITD04 JTD04 CMD01 DMD01 EMD02 GMD03 HMD03 IMD04 JMD04 CTI02 DTI02 ETI03 GTI05 HTI06 ITI06 JTI08 CMI02 DMI02 EMI03 GMI05 HMI06 IMI06 JMI08			1/2" NEMA 4X two-position 3/4" NEMA 4X two-position 1" NEMA 4X two-position 1-1/2" NEMA 4X two-position 2" NEMA 4X two-position 2-1/2" NEMA 4X two-position 3" NEMA 4X two-position 1/2" NEMA 4X modulating 3/4" NEMA 4X modulating 1" NEMA 4X modulating 1-1/2" NEMA 4X modulating 2" NEMA 4X modulating 2-1/2" NEMA 4X modulating 3" NEMA 4X modulating 1/2" exp two-position 3/4" exp two-position 1" exp two-position 1-1/2" exp two-position 2" exp two-position 2-1/2" exp two-position 3" exp two-position 1/2" exp electric modulating 3/4" exp electric modulating 1" exp electric modulating 1-1/2" exp electric modulating 2" exp electric modulating 2-1/2" exp electric modulating 3" exp electric modulating
Valve Position			T1 T2 T3 T4 L1		Flow path A Flow path B Flow path C Flow path D Flow path E
Actuator Voltage				A B C D	110 VAC 220 VAC 24 VAC 24 VDC

ACCESSORIES	
Model	Description
R2-2120	Air regulator
AFR2-2	Instrument air filter regulator
VB-01	Volume booster

"T" Port Ball



"L" Port Ball



Valves, Ball, Automated



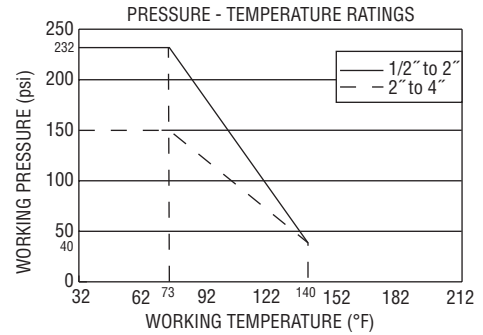
3-WAY PLASTIC AUTOMATED BALL VALVE

Electric and Pneumatic Actuators



Cv Values

Size	Position				
	A	B	C	D	E
1/2"	3.85	2.45	4.55	13.7	5.11
3/4"	9.50	6.65	10.2	26.6	10.5
1"	14.4	9.80	17.2	53.2	18.6
1-1/4"	27.3	18.9	32.2	73.5	33.3
1-1/2"	33.3	23.1	42.0	119	43.4
2"	63.0	43.4	84.0	224	85.4



The **SERIES 3PBV** is ideal for mixing or diverting services in industrial, chemical, turf and irrigation, and pool and spa applications, as well as for use with potable water. The valve features a 3-seat design for efficient automation, reinforced TFE seats and EPDM seals for longer life, and an all PVC construction for heavyweight durability at a lightweight cost. Valves also come standard with field selectable NPT or socket process connections.

The 3PBV is an economical automated valve package with either an electric or pneumatic actuator. Electrically actuated models are weatherproof, NEMA 4 (IP56), powered by standard 115 VAC supply, and are available in either two-position or proportional control. Two-position actuators use the 115 VAC input to drive each of the valve ports open or closed, while the modulating actuator accepts a 4 to 20 mA input for infinite valve positioning. Actuator features include thermal overload protection to withstand stall conditions, visual position indication and a permanently lubricated gear train.

The pneumatic double acting actuator uses an air supply to drive each of the actuator ports. Spring return pneumatic actuators use the air supply to drive the valve stem one direction, and internally loaded springs return the valve to its original position. Also available is the SV3 solenoid valve to electrically switch the supply pressure between the air supply ports. Actuators are constructed of anodized aluminum and are epoxy coated for years of corrosion free service.

HOW TO ORDER:

1. Select **Model Number** to specify pipe size and actuator.
2. Choose a **Port Configuration** to determine valve flow path.
Example: 3PBVPSR204-L1

SPECIFICATIONS

Service: Compatible liquids or gases.
Body: 3-way.

Line Size: 1/2" to 2".

End Connections: Female NPT or socket (field-selectable).

Pressure Limit: 1/2" to 1": 232 psi (16.0 bar) @ 73°F (23°C); 1-1/4" to 2": 150 psi (10.3 bar) @ 73°F (23°C) WOG; Vacuum: 29" Hg. See chart for curve.

Wetted Materials: Body, end connectors: PVC; Ball, stem: PVC; Seat: TFE; Stem seal: EPDM.

Temperature Limit: 32 to 140°F (0 to 60°C).

Temperature Limit: 0 to 150°F (-18 to 65°C).

Conduit Connection: 1/2" female NPT. **Modulating Input:** 4 to 20 mA.

Standard Features: Manual override and visual position indicator except modulating units.

Pneumatic "DA" and "SR" Series

Type: DA series is double acting and SR series is spring return (rack and pinion).

Normal Supply Pressure: 80 psi (5.5 bar).

Maximum Supply Pressure: 120 psig (8 bar).

Air Connections: DA/SR1 to 5: 1/8" female NPT, all other sizes: 1/4" female NPT.

Air Consumption (per stroke): DA1: 2.32 in³; DA2, SR2: 9.34 in³; SR3: 17.21 in³.

Cycle Time (per 90°): DA1: .03 s; DA2: .04 s; SR2: .09 s; SR3: .14 s.

Housing Material: Anodized aluminum body and epoxy coated aluminum end caps.

Temperature Limit: -4 to 180°F (-20 to 82°C).

Accessory Mounting: NAMUR standard.

Standard Features: Visual position indicator.

ACTUATORS

Electric

Power Requirements: 120 VAC, 50/60 Hz, single phase. Optional 220 VAC, 24 VAC, 12 VDC, and 24 VDC.

Power Consumption (Locked Rotor Current): Two position: 1/2" to 1-1/2": .55 A, 2": 0.75 A; Modulating: 0.75 A.

Cycle Time (per 90°): Two position: 1/2" to 1-1/2": 2.5 s, 2": 5 s; Modulating: 5 s.

Duty Cycle: Two position: 1/2" to 1-1/2": 75%, 2": 25%; Modulating: 75%.

Enclosure Rating: NEMA 4. Optional NEMA 7 (Class 1, Div. II groups A, B, C, D).

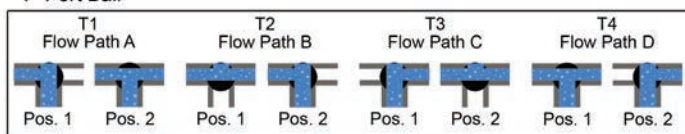
Housing Material: Aluminum with thermal bonding polyester powder finish.

MODEL CHART

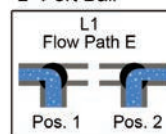
Size	Cv	Double Acting Pneumatic	Spring Return Pneumatic	Two Position Electric	Modulating Electric
		Model*	Model*	Model*	Model*
1/2"	See Chart Below	3PBVPDA102	3PBVPSR202	3PBVPU1102	3PBVPV1202
3/4"		3PBVPDA103	3PBVPSR203	3PBVPU1103	3PBVPV1203
1"		3PBVPDA104	3PBVPSR204	3PBVPU1104	3PBVPV1204
1-1/4"		3PBVPDA105	3PBVPSR205	3PBVPU1105	3PBVPV1205
1-1/2"		3PBVPDA206	3PBVPSR306	3PBVPU1206	3PBVPV1206
2"		3PBVPDA207	3PBVPSR307	3PBVPU1207	3PBVPV1207

*Complete model includes **Port Configuration** - see "How to Order".

"T" Port Ball



"L" Port Ball

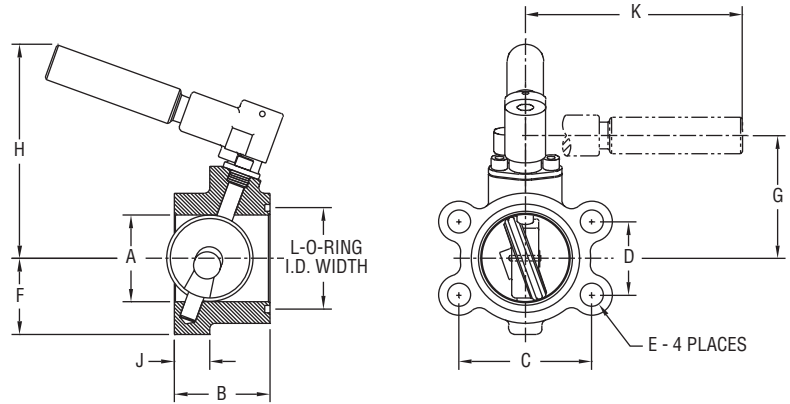


OPTIONS

To order add suffix:	Description	Actuator Size*
-EX	Explosion proof electric actuators	XX1-XX6
*Example: Third digit in U12 or V12 is the size		
Note: For optional electric actuator supply voltages, contact factory for model number change		

BUTTERFLY VALVE

Low Cost, S.A.E. Flange, Hydraulic Reservoir Shut Off Valve



Size	A in [mm]	B in [mm]	C in [mm]	D in [mm]	E in [mm]	F in [mm]	G in [mm]	H in [mm]	J in [mm]	K in [mm]	L in [mm]	I.D. X W.D.
2"	2 [50.80]	2 [50.80]	3-1/16 [77.79]	1-11/16 [42.86]	1/2 [12.70]	1-3/4 [44.45]	2-13/16 [71.44]	5-1/8 [130.18]	13/16 [20.64]	5 [127.00]	2-1/4 [57.15]	1/8 [3.18]
2-1/2"	2-1/2 [63.50]	2 [50.80]	3-1/2 [88.90]	2 [50.80]	1/2 [12.70]	2-1/16 [52.39]	3-1/8 [79.38]	5-1/8 [130.18]	13/16 [20.64]	5 [127.00]	2-3/4 [69.85]	1/8 [3.18]
3"	3 [76.20]	2-1/2 [63.50]	4-3/16 [106.36]	2-7/16 [61.91]	5/8 [15.88]	2-5/16 [58.74]	3-3/8 [85.73]	5-1/8 [130.18]	1-1/16 [26.99]	5 [127.00]	3-3/8 [85.73]	1/8 [3.18]
4"	4 [101.60]	3-1/4 [82.55]	5-1/8 [130.18]	3-1/16 [77.79]	5/8 [15.88]	2-3/4 [69.85]	4 [101.60]	5-5/8 [142.88]	1-1/4 [31.75]	5 [127.00]	4-3/8 [111.13]	1/8 [3.18]
5"	5 [127.00]	4 [101.60]	6 [152.40]	3-5/8 [92.08]	5/8 [15.88]	3-5/16 [84.14]	4-3/8 [111.13]	6 [152.40]	1-1/2 [38.10]	5 [127.00]	5-3/8 [136.53]	1/8 [3.18]

The **SERIES SAE** Butterfly Valves are an ideal low cost hydraulic reservoir shut off valve. These valves are designed to meet the demanding needs of the fluid power industry. Unique features include an O-ring flange face seal complying with S.A.E. J518 dimensional requirements. This design provides for bubble tight reservoir shut off up to 25 psi (1.72 bar) and a max temperature of 180°F (82.2°C). The compact envelope dimension reduces space requirements. Unit allows for adjustment by incorporating an open/close detent position lock which can be infinitely positioned to achieve a desired flow rate. The unique design resists the vibrations associated with hydraulic pumps and pumping systems. Optional fluoroelastomer seals and locking handle are available.

SPECIFICATIONS	
Service:	Compatible liquids and gases.
Line Size:	2" to 5".
Body Style:	2-way, lug butterfly.
End Connections:	O-ring flange face seal (S.A.E. J518).
Pressure Limit:	Shut-off: 25 psi (1.72 bar) bubble tight; Body shell: 500 psi (34.5 bar).
Wetted Materials:	Body and disc/vane: Cast iron; O-rings: Buna-N or fluoroelastomer; Stem: Steel.
Temperature Limits:	Buna-N: 180°F (82°C); Fluoroelastomer: 300°F (149°C).

FEATURES/BENEFITS

- Flange face complies with S.A.E. J518 dimensional requirements
- Bubble tight shut-off
- Locking handles are available

APPLICATIONS

- Hydraulic reservoir isolation on injection molding or earth moving equipment
- Used to isolate the hydraulic reservoir during maintenance

MODEL CHART	
Model	Flange Size
SAE-20	2"
SAE-25	2-1/2"
SAE-30	3"
SAE-40	4"
SAE-50	5"

OPTIONS	
To order add suffix:	Description
-VIT	Fluoroelastomer O-ring seals
Example: SAE-30-VIT	
-LHR	Locking handle
Example: SAE-30-LHR	

BUTTERFLY VALVE

Lug or Wafer, EPDM or PTFE, Electric or Pneumatic Actuators



WE20-CHD00-LE



WE20-EDA06-LE



WE20-ETD04-LE-A



WE20-CDA04-WP-AA07



WE20-CDA04-WP-NN08



Scan here
to watch
product video

The **SERIES WE20** is offered in lug or wafer body styles and is equipped with a PTFE or EPDM liner. The most critical aspect of the Series WE20 Butterfly Valves is the cartridge seat design, which alleviates installation problems associated with common "dove tail design" seats. Valve torques are lower and more consistent as the seat dynamics are not dependent on being coupled between two flanges. Precision machining of the disc and body allow the cartridge design to maintain a tighter disc to seat tolerance, providing a perfect low torque seal each and every time the valve is cycled. The seat to disc seal is independent of flange support and capable of full rated dead end service.

Actuators are directly mounted creating a compact assembly for tight spaces. Limit switches are able to be mounted directly to the valves allowing for remote position indication.

The Series WE20 can be configured with either an electric or pneumatic actuator. Electric actuators are available in weatherproof or explosion-proof, a variety of supply voltages and two-position or modulating control. Two-position actuators use the supply voltage to drive the valve open or closed, while the modulating actuator accepts a 4-20 mA input for valve positioning. Actuators feature thermal overload protection and permanently lubricated gear train. The pneumatic double acting actuator uses an air supply to drive the valve open and closed. The actuator has two supply ports, with one driving the valve open and the other driving the valve closed. Spring return pneumatic actuators use the air supply to open the valve, and internally loaded springs return the valve to the closed position.

The pneumatic double acting actuator uses an air supply to drive the valve open and closed. The actuator has two supply ports with one driving the valve open and the other driving the valve closed. Spring return pneumatic actuators use the air supply to open the valve and internally loaded springs return the valve to the closed position. Also available is the SV3 solenoid valve to electrically switch the air supply pressure between the air supply ports for opening and closing the valve. Actuators are constructed of anodized and epoxy coated aluminum for years of corrosion free service.

FEATURES/BENEFITS

- Machined flats attach disc/stem - no pins
- Phenolic backed cartridge seat design for extended service and ease of replacement
- Extended neck for insulation - no fabricated extensions required
- Capable of being configured to fit any application
- Limit switches can be mounted to manual valves for remote monitoring

SPECIFICATIONS

VALVE

Service: Compatible liquids, gases, and steam.

Body: 2-way, wafer or lug butterfly.

Line Sizes: 2 to 12".

End Connections: Lug and wafer pattern designed for flanges that are ANSI Class 125 (B16.1) and ANSI Class 150 (B16.5) dimension.

Pressure Limits: 225 psi (15.5 bar).

Wetted Materials: Body Material: Ductile iron; Disc: 316 SS; Seat and O-ring: EPDM or PTFE; Stem: 410 SS.

Temperature Limits: Disc: EPDM: -50 to 250°F (-46 to 121°C); PTFE: 0 to 300°F (-18 to 149°C).

Bearings: Nylatron.

Operator: 2 to 6" 10-position locking hand lever; 8 to 12": manual gear.

ACTUATORS

Pneumatic "DA" and "SR" Series

Type: DA series is double acting and SR series is spring return (rack and pinion).

Normal Supply Pressure: DA: 40 to 115 psi (2.7 to 7.9 bar); SR: 70 to 115 psi (4.8 to 7.9 bar).

Maximum Supply Pressure: 120 psi (8.6 bar).

Air Connections: DA03 thru DA11: 1/4" FNPT; SR03 thru SR11: 1/4" FNPT.

Housing Material: Anodized aluminum body and epoxy coated aluminum end caps.

Temperature Limits: -40 to 176°F (-40 to 80°C).

Accessory Mounting: NAMUR standard.

Electric "TD" and "MD" Series

Power Requirements: 110 VAC, 220 VAC or 24 VAC.

Power Consumption: See instruction manual.

Cycle Time (per 90°): TD01 and MD01: 4 s; TD02 and MD02: 20 s; TD03 and MD03: 30 s; TD04 and MD04: 30 s; TD05 and MD05: 30 s; TD06 and MD06: 45 s; TD07 and MD07: 30 s.

Duty Rating: 85%.

Enclosure Rating: NEMA 4X (IP67).

Housing Material: Powder coated aluminum.

Temperature Limits: -22 to 140°F (-30 to 60°C).

Electrical Connection: 1/2" female NPT.

Modulating Input: 4 to 20 mA.

Standard Features: Manual override, position indicator, and TD models come with two limit switches.

Electric "TH and MH Series

Power Requirements: 110 VAC, 220 VAC, 24 VAC or 24 VDC.

Power Consumption: See instruction manual.

Cycle Time (per 90°): See instruction manual.

Duty Rating: See instruction manual.

Enclosure Rating: NEMA 7, designed to meet hazardous locations: Class I, Group C & D; Class II, Group E, F & G; Division I & II.

Housing Material: Powder Coated Aluminum

Temperature Limits: -22 to 140°F (-30 to 60°C).

Electrical Connection: 1/2" female NPT.

Modulating Input: 4 to 20 mA.

Standard Features: Position indicator and two limit switches.

BUTTERFLY VALVE

Lug or Wafer, EPDM or PTFE, Electric or Pneumatic Actuators

MODEL CHART						
Size	Cv (gal/min)	Popular Hand Operated Model	Popular Double Acting Pneumatic Model	Popular Spring Return Pneumatic Model	NEMA 4X Two-Position Electric (110 VAC) Model	NEMA 4X Modulating Electric (110 VAC) Model
2"	135	WE20-AHD00-WE	WE20-ADA03-WE	WE20-ASR04-WE	WE20-ATD02-WE-A	WE20-AMD02-WE-A
2-1/2"	220	WE20-BHD00-WE	WE20-BDA03-WE	WE20-BSR04-WE	WE20-BTD02-WE-A	WE20-BMD02-WE-A
3"	302	WE20-CHD00-WE	WE20-CDA04-WE	WE20-CSR06-WE	WE20-CTD02-WE-A	WE20-CMD02-WE-A
4"	600	WE20-DHD00-WE	WE20-DDA05-WE	WE20-DSR07-WE	WE20-DTD03-WE-A	WE20-DMD03-WE-A
5"	1022	WE20-EHD00-WE	WE20-EDA06-WE	WE20-ESR08-WE	WE20-ETD04-WE-A	WE20-EMD04-WE-A
6"	1579	WE20-FHD00-WE	WE20-FDA07-WE	WE20-FSR09-WE	WE20-FTD04-WE-A	WE20-FMD04-WE-A
8"	3136	WE20-GHD00-WE	WE20-GDA08-WE	WE20-GSR10-WE	WE20-GTD05-WE-A	WE20-GMD05-WE-A
10"	5340	WE20-HHD00-WE	WE20-HDA09-WE	WE20-HSR11-WE	WE20-HTD06-WE-A	WE20-HMD06-WE-A
12"	8250	WE20-IHD00-WE	WE20-IDA11-WE	WE20-ISR11-WE	WE20-ITD07-WE-A	WE20-IMD07-WE-A

MODEL CHART - HAND OPERATED & PNEUMATIC ACTUATOR							
Example	WE20	-BSR04	-WE	-A	A	00	WE20-BSR04-WE-AA00
Series	WE20						Butterfly valve
Size and Actuator		AHD00 BHD00 CHD00 DHD00 EHD00 FHD00 GHD00 HHD00 IHD00 ADA03 BDA03 CDA04 DDA05 EDA06 FDA07 GDA08 HDA09 IDA11 ASR04 BSR04 CSR06 DSR07 ESR08 FSR09 GSR10 HSR11 ISR11					2" hand operated 2-1/2" hand operated 3" hand operated 4" hand operated 5" hand operated 6" hand operated 8" hand operated 10" hand operated 12" hand operated 2" double acting 2-1/2" double acting 3" double acting 4" double acting 5" double acting 6" double acting 8" double acting 10" double acting 12" double acting 2" spring return 2-1/2" spring return 3" spring return 4" spring return 5" spring return 6" spring return 8" spring return 10" spring return 12" spring return
Body Type /Liner			WE WP LE LP				Wafer-EPDM Wafer-PTFE Lug-EPDM Lug-PTFE
Solenoid				N A			No solenoid NEMA 4X NAMUR solenoid
Solenoid Voltage					N A B C D E		No solenoid 120 VAC 220 VAC 24 VAC 24 VDC 12 VDC
Positioner and Switches						00 01 02 03 04 05 06 07 08 09	None 42AD0 exp limit switch 45VD0 exp position transmitter 42AD0-B ATEX limit switch 42AD0-IE IECEx limit switch VPI-M01 NEMA 4X limit switch QV-210101 poly limit switch VPS and P1 prox switch 265ER-D5 positioner 285ER-D5 smart positioner
Options						NO	Fail open spring return actuator

MODEL CHART - ELECTRIC ACTUATOR					
Example	WE20	-DMH05	-WE	-A	WE20-DMH05-WE-A
Series	WE20				Butterfly valve
Size and Actuator		ATD02 BTD02 CTD02 DTD03 ETD04 FTD04 GTD05 HTD06 ITD07 AMD02 BMD02 CMD02 DMD03 EMD04 FMD04 GMD05 HMD06 IMD07 ATH03 BTH03 CTH05 DTH05 ETH06 FTH08 GTH09 HTH10 ITH11 AMH03 BMH03 CMH05 DMH05 EMH06 FMH08 GMH09 HMH10 IMH11			2" NEMA 4X two-position 2-1/2" NEMA 4X two-position 3" NEMA 4X two-position 4" NEMA 4X two-position 5" NEMA 4X two-position 6" NEMA 4X two-position 8" NEMA 4X two-position 10" NEMA 4X two-position 12" NEMA 4X two-position 2" NEMA 4X modulating 2-1/2" NEMA 4X modulating 3" NEMA 4X modulating 4" NEMA 4X modulating 5" NEMA 4X modulating 6" NEMA 4X modulating 8" NEMA 4X modulating 10" NEMA 4X modulating 12" NEMA 4X modulating 2" exp two-position 2-1/2" exp two-position 3" exp two-position 4" exp two-position 5" exp two-position 6" exp two-position 8" exp two-position 10" exp two-position 12" exp two-position 2" exp electric modulating 2-1/2" exp electric modulating 3" exp electric modulating 4" exp electric modulating 5" exp electric modulating 6" exp electric modulating 8" exp electric modulating 10" exp electric modulating 12" exp electric modulating
Material/Liner			WE WP LE LP		Wafer-EPDM Wafer-PTFE Lug-EPDM Lug-PTFE
Actuator Voltage				A B C D	110 VAC 220 VAC 24 VAC 24 VDC

ACCESSORIES	
Model	Description
R2-2120	Air regulator
AFR2-2	Instrument air filter regulator
VB-01	Volume booster

PNEUMATIC AND ELECTRIC ACTUATORS

Actuators for Valve and Damper Automation



ACT-SR03



ACT-TD01-110VAC



ACT-MI02-110VAC

The W.E. Anderson **SERIES ACT** Actuators are available in either pneumatic or electric models. The wide range of torques and voltages means there is an actuator for almost any application. The standard ISO 5211 mounting configuration makes installation to any valve or damper quick and simple.

W.E. Anderson pneumatic ACT models are a compact rack-and-pinion design with a symmetrical structure that ensures fast and steady action, high precision and high output power. The corrosion resistant anodized aluminum body is designed to withstand the harsh and abusive industrial environments and provide reliable service. We offer double acting and spring return models in a variety of sizes to fit any application.

W.E. Anderson electric ACT models are available in two-position or modulating configurations and NEMA 4X or NEMA 7 rated enclosures. All electric actuators utilize a high grade powder coated aluminum enclosure with visual indicators. The two-position models come standard with two auxiliary switches, and modulating models offer an output for position monitoring. Certain models are equipped with manual overrides allowing the operator to cycle the valve manually for installation or maintenance checks.

FEATURES/BENEFITS

- ISO 5211 Mounting configuration for easy installation
- Pneumatic actuators offer corrosion resistance anodized finish
- NAMUR mounting configuration on pneumatic actuators
- Two-position electric actuators include auxiliary limit switches
- Modulating electric actuators offer an output for position monitoring

APPLICATION

- Designed for quarter turn valve or damper control

SPECIFICATIONS

Pneumatic "DA" and "SR" Series Type: DA series is double-acting and SR series is spring return (rack and pinion).

Normal Supply Pressure: DA: 40 to 115 psi (2.7 to 7.9 bar); SR: 80 psi (5.5 bar).

Maximum Supply Pressure: 120 psi (8.6 bar).

Air Connections: DA01: 1/8" female NPT; DA02 to DA14: 1/4" female NPT; SR02 to SR14: 1/4" female NPT.

Housing Material: Anodized aluminum body and epoxy coated aluminum end caps.

Temperature Limits: -40 to 176°F (-40 to 80°C).

Accessory Mounting: NAMUR standard.

Electric "TD" and "MD" Series

Power Requirements: 110 VAC, 220 VAC, 24 VAC or 24 VDC (MD models not available in 24 VDC).

Power Consumption: See manual.

Cycle Time (per 90°): TD01: 4 s; MD01: 10 s; TD02 and MD02: 20 s; TD03 and MD03: 30 s; TD04 and MD04: 30 s; TD05 and MD05: 30 s; TD06 and MD06: 45 s; TD07 and MD07: 45 s.

Duty Rating: 85%.

Enclosure Rating: NEMA 4X (IP67).

Housing Material: Powder coated aluminum.

Temperature Limits: -22 to 140°F (-30 to 60°C).

Electrical Connection: 1/2" female NPT.

Modulating Input: 4 to 20 mA.

Standard Features: Manual override, position indicator, and TD models come with two limit switches.

Electric "TI" and "MI" Series

Power Requirements: 110 VAC, 220 VAC, 24 VAC or 24 VDC.

Power Consumption: See instruction manual.

Cycle Time (per 90°): See instruction manual.

Duty Rating: See instruction manual.

Enclosure Rating: NEMA 7.

Housing Material: Powder coated aluminum.

Temperature Limits: -40 to 140°F (-40 to 60°C).

Electrical Connection: 1/2" female NPT.

Modulating Input: 4 to 20 mA.

Standard Features: Position indicator and two limit switches.

PNEUMATIC AND ELECTRIC ACTUATORS

Actuators for Valve and Damper Automation

MODEL CHART			
Pneumatic Model	Description	Electric Model	Description
ACT-DA01	Double acting pneumatic actuator, 98 in-lb	ACT-TD01-110VAC	Electric two-position, 177 in-lb, 110 VAC
ACT-DA02	Double acting pneumatic actuator, 207 in-lb	ACT-TD02-110VAC	Electric two-position, 442 in-lb, 110 VAC
ACT-DA03	Double acting pneumatic actuator, 365 in-lb	ACT-TD03-110VAC	Electric two-position, 885 in-lb, 110 VAC
ACT-DA04	Double acting pneumatic actuator, 603 in-lb	ACT-TD04-110VAC	Electric two-position, 1770 in-lb, 110 VAC
ACT-DA05	Double acting pneumatic actuator, 792 in-lb	ACT-TD05-110VAC	Electric two-position, 3540 in-lb, 110 VAC
ACT-DA06	Double acting pneumatic actuator, 1135 in-lb	ACT-TD06-110VAC	Electric two-position, 8850 in-lb, 110 VAC
ACT-DA07	Double acting pneumatic actuator, 1690 in-lb	ACT-MD01-110VAC	Electric modulating, 265 in-lb, 110 VAC
ACT-DA08	Double acting pneumatic actuator, 2993 in-lb	ACT-MD02-110VAC	Electric modulating, 442 in-lb, 110 VAC
ACT-DA09	Double acting pneumatic actuator, 4506 in-lb	ACT-MD03-110VAC	Electric modulating, 885 in-lb, 110 VAC
ACT-DA10	Double acting pneumatic actuator, 6866 in-lb	ACT-MD04-110VAC	Electric modulating, 1770 in-lb, 110 VAC
ACT-DA11	Double acting pneumatic actuator, 11065 in-lb	ACT-MD05-110VAC	Electric modulating, 3540 in-lb, 110 VAC
ACT-DA12	Double acting pneumatic actuator, 15207 in-lb	ACT-MD06-110VAC	Electric modulating, 8850 in-lb, 110 VAC
ACT-DA13	Double acting pneumatic actuator, 23834 in-lb	ACT-TI01-110VAC	EXP electric two-position, 100 in-lb, 110 VAC
ACT-DA14	Double acting pneumatic actuator, 33516 in-lb	ACT-TI02-110VAC	EXP electric two-position, 200 in-lb, 110 VAC
ACT-SR02	Spring return pneumatic actuator, 95 in-lb	ACT-TI03-110VAC	EXP electric two-position, 300 in-lb, 110 VAC
ACT-SR03	Spring return pneumatic actuator, 176 in-lb	ACT-TI04-110VAC	EXP electric two-position, 400 in-lb, 110 VAC
ACT-SR04	Spring return pneumatic actuator, 274 in-lb	ACT-TI05-110VAC	EXP electric two-position, 675 in-lb, 110 VAC
ACT-SR05	Spring return pneumatic actuator, 381 in-lb	ACT-TI06-110VAC	EXP electric two-position, 1000 in-lb, 110 VAC
ACT-SR06	Spring return pneumatic actuator, 536 in-lb	ACT-TI07-110VAC	EXP electric two-position, 1500 in-lb, 110 VAC
ACT-SR07	Spring return pneumatic actuator, 815 in-lb	ACT-TI08-110VAC	EXP electric two-position, 2000 in-lb, 110 VAC
ACT-SR08	Spring return pneumatic actuator, 1411 in-lb	ACT-TI09-110VAC	EXP electric two-position, 3840 in-lb, 110 VAC
ACT-SR09	Spring return pneumatic actuator, 2460 in-lb	ACT-TI10-110VAC	EXP electric two-position, 5000 in-lb, 110 VAC
ACT-SR10	Spring return pneumatic actuator, 3733 in-lb	ACT-TI11-110VAC	EXP electric two-position, 7020 in-lb, 110 VAC
ACT-SR11	Spring return pneumatic actuator, 6166 in-lb	ACT-MI01-110VAC	EXP electric modulating, 100 in-lb, 110 VAC
ACT-SR12	Spring return pneumatic actuator, 5253 in-lb	ACT-MI02-110VAC	EXP electric modulating, 200 in-lb, 110 VAC
ACT-SR13	Spring return pneumatic actuator, 7923 in-lb	ACT-MI03-110VAC	EXP electric modulating, 300 in-lb, 110 VAC
ACT-SR14	Spring return pneumatic actuator, 9546 in-lb	ACT-MI04-110VAC	EXP electric modulating, 400 in-lb, 110 VAC
		ACT-MI05-110VAC	EXP electric modulating, 675 in-lb, 110 VAC
		ACT-MI06-110VAC	EXP electric modulating, 1000 in-lb, 110 VAC
		ACT-MI07-110VAC	EXP electric modulating, 1500 in-lb, 110 VAC
		ACT-MI08-110VAC	EXP electric modulating, 2000 in-lb, 110 VAC
		ACT-MI09-110VAC	EXP electric modulating, 3840 in-lb, 110 VAC
		ACT-MI10-110VAC	EXP electric modulating, 5000 in-lb, 110 VAC
		ACT-MI11-110VAC	EXP electric modulating, 7020 in-lb, 110 VAC

Note: Optional voltages available for the electric actuators. Change the -110 VAC to -220 VAC, 24 VDC or 24 VAC. The ACT-TD and ACT-MD are not available with 24 VAC.

MODEL CHART - DOUBLE ACTING ACTUATOR TORQUE										
Model	Double Acting Pneumatic Actuator Output Torque (in-lb)									
	Air Pressure									
	40 psi	50 psi	60 psi	70 psi	80 psi	90 psi	100 psi	110 psi	115 psi	
ACT-DA01	49	61	74	86	98	110	123	135	142	
ACT-DA02	104	130	155	181	207	233	259	285	300	
ACT-DA03	182	228	274	319	365	411	456	502	529	
ACT-DA04	302	377	453	528	603	679	754	830	875	
ACT-DA05	396	495	594	693	792	891	990	1089	1148	
ACT-DA06	567	709	851	993	1135	1277	1419	1561	1646	
ACT-DA07	845	1056	1267	1478	1690	1901	2112	2323	2450	
ACT-DA08	1497	1871	2245	2619	2993	3367	3742	4116	4340	
ACT-DA09	2253	2816	3379	3942	4506	5069	5632	6195	6533	
ACT-DA10	3433	4291	5149	6008	6866	7724	8582	9440	9955	
ACT-DA11	5532	6916	8299	9682	11065	12448	13831	15214	16044	
ACT-DA12	7603	9504	11405	13306	15207	17107	19008	20909	22050	
ACT-DA13	11917	14896	17875	20855	23834	26813	29792	32772	34559	
ACT-DA14	16758	20948	25137	29327	33516	37706	41896	46085	48599	

ACCESSORIES	
Models	Description
R2-2120	Air regulator
AFR2-2	Instrument air filter regulator
VB-01	Volume booster
SN-5A	5/2 NAMUR 110 VAC solenoid
SN-3A	3/2 NAMUR 110 VAC solenoid

MODEL CHART - SPRING RETURN ACTUATOR TORQUE															
Model	Spring Sets	Torque List of Spring Return Pneumatic Actuator (in-lb)													
		Spring Torque		Air Pressure				90 psi		100 psi		110 psi		115 psi	
		0°	90°	0°	90°	0°	90°	0°	90°	0°	90°	0°	90°	0°	90°
		ACT-SR02	10	69.9	95.5	111.4	85.8	137.3	111.7	163.2	137.6	189.1	163.5	215	189.4
ACT-SR03	10	120	176	199	143	245	189	291	235	336	280	382	326	409	353
ACT-SR04	10	180	274	348	254	424	330	499	405	575	481	650	556	695	601
ACT-SR05	10	263	381	430	312	529	411	628	510	727	609	826	708	885	767
ACT-SR06	10	385	536	608	458	750	599	891	741	1033	883	1175	1025	1260	1110
ACT-SR07	10	695	815	783	663	994	874	1206	1085	1417	1297	1628	1508	1755	1635
ACT-SR08	10	937	1411	1682	1208	2056	1583	2430	1957	2804	2331	3178	2705	3403	2930
ACT-SR09	10	1640	2460	2303	1483	2866	2046	3429	2609	3992	3173	4556	3736	4894	4074
ACT-SR10	10	2529	3733	3479	2274	4337	3133	5195	3991	6053	4849	6911	5707	7426	6222
ACT-SR11	10	4104	6166	5578	3516	6961	4899	8344	6282	9727	7665	11111	9048	11940	9878
ACT-SR12	10	5253	8258	8052	5048	9953	6948	11854	8849	13755	10750	15656	12651	16796	13791
ACT-SR13	10	7923	14103	12932	6752	15911	9731	18890	12710	21869	15690	24849	18669	26636	20456
ACT-SR14	10	9546	18350	19781	10977	23970	15167	28160	19357	32349	23546	36539	27736	39053	30249



SELF-ACTING TEMPERATURE CONTROL VALVE

Requires No External Power



SERIES 38R Self-Acting Temperature Control Valves require no external power sources and are ideal for regulating the temperature of tanks, process streams and various types of industrial equipment. The actuators are made with a rugged die-cast aluminum housing with a fully enclosed bellow assembly and internal over-range protection. Valves are offered in 1/2" through 6" connection sizes and 1/8" through 6" port sizes. The valve bodies are available in single-seated direct or reverse-acting, double-seated direct or reverse-acting, and 3-way designs with four choices of body material: bronze, cast-iron, cast-steel, and 316 SS. Actuators are available with or without indicating dials or in Fail-Safe. Non-indicating actuators feature a lower profile and should be implemented where space constraints may be an issue while the indicating actuator allows the operator to verify the process temperature and aid in temperature adjustment. Fail-Safe actuators are designed to cause the valve to fail in the safe control position (open in cooling application, closed in a heating application) should some accidental damage occur to the terminal system, resulting in loss of pressure charge. Also available with the Series 38R are a wide range of capillaries, bulbs, and thermowells.

Please request a copy of our Valve Catalog, CT-VC, or visit our website at www.dwyer-inst.com to see full model information and ordering details for the Series 38R.

FEATURES/BENEFITS

- Self-operated design
- Internal over range protection
- Heavy duty die cast aluminum actuator

APPLICATIONS

- Temperature control without external power or control inputs

SPECIFICATIONS

VALVE BODY

Service: Compatible liquids, gases, and steam.

Line Size: 1/2" to 2".

Body Style: 2-way or 3-way.

End Connections: 1/2" to 2" female NPT.

Pressure Limit: 250 psi (17.2 bar).

Wetted Materials: Body material: Bronze or 316 SS; Trim: 316 SS; Packing: PTFE.

Temperature Limits: 410°F (210°C) @ 250 psi (17.24 bar).

ACTUATOR

Power Requirements: Fully self-contained, no external power required.

Indicator: 3-1/2" dial thermometer, SS case, swivel and angle adjustable (available for indicating actuator only).

Housing: Die cast aluminum, epoxy powder coated blue finish.

Set Point Scale: Integral to housing.

Bellows: High-pressure brass, corrosion resistant, tinplated finish.

Adjustment Screws: Brass.

Range Adjustment Spring: Cadmium plated.

Overrange Protection: 100°F over upper range limit for temporary situations.

Note: See website for additional options.

SELF-ACTING TEMPERATURE CONTROL VALVE

Requires No External Power

MODEL CHART								
Example	38R	-D00VA32	-1	01	36	2 -R09	38R-D00VA32-101362-R09	
Series	38R						Self-acting temperature control valve	
Valve		D00VA32 D01VA32 D02VA32 D03VA32 D04VA32 D05VA32 R00VA32 R01VA32 R02VA32 R03VA32 R04VA32 R05VA32 D00VA42 D01VA42 D02VA42 D03VA42 D04VA42 D05VA42 R00VA42 R01VA42 R02VA42 R03VA42 R04VA42 R05VA42 300WA31 301WA31 302WA31 303WA31 304WA31 305WA31 300WA41 301WA41 302WA41 303WA41 304WA41 305WA41						1/2" NPT single seat two-way bronze valve, direct acting 3/4" NPT single seat two-way bronze valve, direct acting 1" NPT single seat two-way bronze valve, direct acting 1-1/4" NPT single seat two-way bronze valve, direct acting 1-1/2" NPT single seat two-way bronze valve, direct acting 2" NPT single seat two-way bronze valve, direct acting 1/2" NPT single seat two-way bronze valve, reverse acting 3/4" NPT single seat two-way bronze valve, reverse acting 1" NPT single seat two-way bronze valve, reverse acting 1-1/4" NPT single seat two-way bronze valve, reverse acting 1-1/2" NPT single seat two-way bronze valve, reverse acting 2" NPT single seat two-way bronze valve, reverse acting 1/2" NPT single seat two-way 316 SS valve, direct acting 3/4" NPT single seat two-way 316 SS valve, direct acting 1" NPT single seat two-way 316 SS valve, direct acting 1-1/4" NPT single seat two-way 316 SS valve, direct acting 1-1/2" NPT single seat two-way 316 SS valve, direct acting 2" NPT single seat two-way 316 SS valve, direct acting 1/2" NPT single seat two-way 316 SS valve, reverse acting 3/4" NPT single seat two-way 316 SS valve, reverse acting 1" NPT single seat two-way 316 SS valve, reverse acting 1-1/4" NPT single seat two-way 316 SS valve, reverse acting 1-1/2" NPT single seat two-way 316 SS valve, reverse acting 2" NPT single seat two-way 316 SS valve, reverse acting 1/2" NPT three-way bronze valve 3/4" NPT three-way bronze valve 1" NPT three-way bronze valve 1-1/4" NPT three-way bronze valve 1-1/2" NPT three-way bronze valve 2" NPT three-way bronze valve 1/2" NPT three-way 316 SS valve 3/4" NPT three-way 316 SS valve 1" NPT three-way 316 SS valve 1-1/4" NPT three-way 316 SS valve 1-1/2" NPT three-way 316 SS valve 2" NPT three-way 316 SS valve
Actuator			1 2				Non-indicating actuator Indicating actuator	
Bulb and Capillary				01 02 03 04 05 06 07 08 09 10			Brass union connection 316 SS union connection Brass adjustable union connection 316SS adjustable union connection Brass plain bulb 316 SS plain bulb FEP Covered brass bulb FEP Covered 316 SS bulb Brass union with stainless steel spiral armor 316 SS union with stainless steel spiral armor	
Capillary Length					36		Capillary length in feet. Example 36 is 36' length	
Thermowell						0 1 2	No thermowell 316 SS thermowell, 1-1/4" external connection Brass thermowell, 1-1/4" external connection	
Temperature Range						R03 R04 R05 R06 R07 R09 R10 R11 R12 R13 R14	30 to 115°F (-1 to 46°C) 50 to 140°F (10 to 60°C) 75 to 165°F (24 to 74°C) 105 to 195°F (41 to 91°C) 125 to 215°F (52 to 102°C) 155 to 250°F (68 to 121°C) 200 to 280°F (93 to 138°C) 225 to 315°F (107 to 157°C) 255 to 370°F (124 to 188°C) 295 to 420°F (146 to 216°C) 310 to 440°F (154 to 227°C)	

HI-FLOW™ CONTROL VALVES

Globe Valves, Ideal for Steam and Water Flow Control, 1/2" to 2-1/2" Sizes, 2-Way or 3-Way



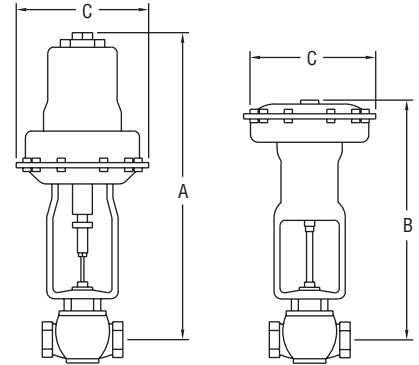
2-way with positioner



2-way with air-to-close actuator



2-way with air-to-open actuator



Caution: Use of an actuator supply gas other than air can create a hazardous environment because a small amount of gas continuously vents to atmosphere.

HI-FLOW™ control valves are single seated, top or cage guided globe valves - probably the simplest, from a construction standpoint, yet most versatile control valve in use. The Hi-Flow™ valve can fit applications with a smaller size valve since the valve has a greater flow capacity than most conventional valves of the same size. Coupled with the high flow capacity, the Hi-Flow™ valve maintains a wide rangeability of 50:1 to insure precise control. Heavy duty Hi-Flow™ valves are ruggedly constructed of the highest quality materials, precision machined, and performance tested to assure years of trouble free service. Standard packing consists of PTFE V-rings and wiper to minimize friction without leakage at high operating pressures. Available in brass, iron, or 316 SS body, trim is 316 SS with all welded plug construction to provide superior durability and corrosion resistance.

FEATURES/BENEFITS

- Wide rangeability of 50:1
- Exceptional shut-off and leak rate that meets ANSI/FCI 70-2 Class IV (0.01% of Cv in the closed position)
- Selectable fail safe condition with Air-to-Raise or Air-to-Lower actuators and Push-to-Open or Push-to-Close valve bodies
- Linear or equal percentage flow characteristics
- Low flow options of restricted trim or needle plug
- Removable and replaceable seat ring

APPLICATIONS

- Flow control, mixing, or diverting service
- Perfect for steam, water or compatible glycol solutions

HOW TO ORDER

Select model number from model chart or standard product chart and supply maximum upstream pressure, USP.

SPECIFICATIONS

VALVE BODY

Service: Compatible liquids, gases, and steam.

Line Size: 1/2" to 2".

Body Style: 2-way or 3-way globe.

End Connections: 1/2" to 2" female NPT.

Pressure Limit: Iron and bronze body: 250 psi (17.2 bar); 316 SS body: 300 psi (20.7 bar).

Wetted Materials: Body material: Iron, bronze, or 316 SS; Trim: 316 SS.

Packing: PTFE.

Temperature Limits: 20 to 400°F (-7 to 204.4°C).

ACTUATOR

Type: Pneumatic spring/diaphragm.

Control Signal: 3 to 15 psi (0.21 to 1.0 bar) standard. Custom ranges available.

Maximum Supply Pressure: 220, 222, and 230: 100 psi (6.89 bar). 221, 223, 231, and 233: 50 psi (3.45 bar).

Air Connection: 1/4" female NPT.

Temperature Limit: 150°F (66°C).

Note: Positioners and current-to-pressure transducers available factory mounted.



HI-FLOW™ CONTROL VALVES

Globe Valves, Ideal for Steam and Water Flow Control, 1/2" to 2-1/2" Sizes, 2-Way or 3-Way

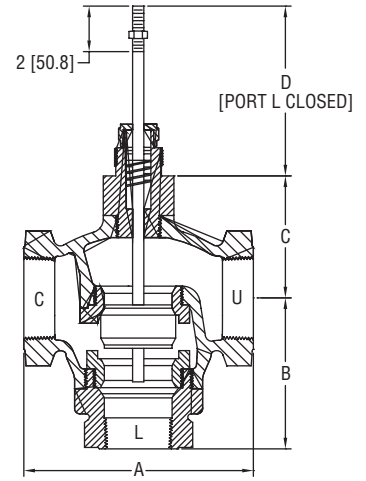
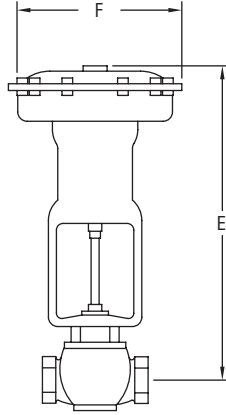
Use the chart below to aid in the selection of Hi-Flow™ Control Valve. As long as the maximum upstream pressure (USP) is less than, or equal to, the value listed, the model shown can be manufactured and calibrated to your specific requirements. Specify maximum upstream pressure, USP, when ordering.

MODEL CHART - 2-WAY SIMPLIFIED SELECTION GUIDE WITH STANDARD PRODUCTS										
Pipe Size	Cv 100%	Body Material	Air-To-Open Model	Max USP psi [bar] 3.15 [.21-1.0]	A in [mm]	C in [mm]	Air-To-Close Model	Max USP psi [bar] 3.15 [.21-1.0]	B in [mm]	C in [mm]
1/2"	6.45	Bronze	2000VA32-230	250 [17.2]	19-3/4 [501.7]	7-3/4 [196.9]	2000VA32-220	250 [17.2]	18-7/16 [468.3]	7-3/4 [196.9]
1/2"	6.45	316SS	2000VA42-230	300 [20.7]	19-3/4 [501.7]	7-3/4 [196.9]	2000VA42-220	300 [20.7]	18-7/16 [468.3]	7-3/4 [196.9]
3/4"	10.75	Bronze	2001VA32-230	250 [17.2]	19-3/4 [501.7]	7-3/4 [196.9]	2001VA32-220	250 [17.2]	18-7/16 [468.3]	7-3/4 [196.9]
3/4"	10.75	Bronze	2001VA32-231	250 [17.2]	20-3/8 [517.5]	10-5/8 [269.9]	2001VA32-221	250 [17.2]	19-1/8 [485.8]	10-5/8 [269.9]
3/4"	10.75	316SS	2001VA42-230	285 [19.7]	19-3/4 [501.7]	7-3/4 [196.9]	2001VA42-220	300 [20.7]	18-7/16 [468.3]	7-3/4 [196.9]
3/4"	10.75	316SS	2001VA42-231	300 [20.7]	20-3/8 [517.5]	10-5/8 [269.9]	2001VA42-221	300 [20.7]	19-1/8 [485.8]	10-5/8 [269.9]
1"	17.42	Bronze	2002VA32-230	166 [11.4]	20-3/16 [512.8]	7-3/4 [196.9]	2002VA32-220	192 [13.2]	18-7/8 [479.4]	7-3/4 [196.9]
1"	17.42	Bronze	2002VA32-231	250 [17.2]	20-13/16 [528.6]	10-5/8 [269.9]	2002VA32-221	250 [17.2]	19-9/16 [496.9]	10-5/8 [269.9]
1"	17.42	316SS	2002VA42-230	166 [11.4]	20-3/16 [512.8]	7-3/4 [196.9]	2002VA42-220	192 [13.2]	18-7/8 [479.4]	7-3/4 [196.9]
1"	17.42	316SS	2002VA42-231	300 [20.7]	20-13/16 [528.6]	10-5/8 [269.9]	2002VA42-221	300 [20.7]	19-9/16 [496.9]	10-5/8 [269.9]
1-1/4"	25.30	Bronze	2003VA32-230	98 [6.8]	20-5/16 [515.9]	7-3/4 [196.9]	2003VA32-220	115 [7.9]	19 [482.6]	7-3/4 [196.9]
1-1/4"	25.30	Bronze	2003VA32-231	245 [16.9]	20-15/16 [531.8]	10-5/8 [269.9]	2003VA32-221	250 [17.2]	19-11/16 [500.1]	10-5/8 [269.9]
1-1/4"	25.30	Bronze	2003VA32-233	250 [17.2]	25-13/32 [645.3]	13-3/8 [339.7]	2003VA32-223	250 [17.2]	23-1/8 [587.4]	13-3/8 [339.7]
1-1/4"	25.30	316SS	2003VA42-230	98 [6.8]	20-5/16 [515.9]	7-3/4 [196.9]	2003VA42-220	115 [7.9]	19 [482.6]	7-3/4 [196.9]
1-1/4"	25.30	316SS	2003VA42-231	245 [17.0]	20-15/16 [531.8]	10-5/8 [269.9]	2003VA42-221	300 [20.7]	19-11/16 [500.1]	10-5/8 [269.9]
1-1/4"	25.30	316SS	2003VA42-233	300 [20.7]	25-13/32 [645.3]	13-3/8 [339.7]	2003VA42-223	300 [20.7]	23-1/8 [587.4]	13-3/8 [339.7]
1-1/2"	32.10	Bronze	2004VA32-230	65 [4.5]	20-11/16 [525.5]	7-3/4 [196.9]	2004VA32-220	80 [5.5]	19-3/8 [492.1]	7-3/4 [196.9]
1-1/2"	32.10	Bronze	2004VA32-231	168 [11.6]	21-5/16 [541.3]	10-5/8 [269.9]	2004VA32-221	235 [16.2]	20-1/16 [509.6]	10-5/8 [269.9]
1-1/2"	32.10	Bronze	2004VA32-233	250 [17.2]	25-25/32 [654.8]	13-3/8 [339.7]	2004VA32-223	250 [17.2]	23-1/2 [596.9]	13-3/8 [339.7]
1-1/2"	32.10	316SS	2004VA42-230	65 [4.5]	20-11/16 [525.5]	7-3/4 [196.9]	2004VA42-220	80 [5.5]	19-3/8 [492.1]	7-3/4 [196.9]
1-1/2"	32.10	316SS	2004VA42-231	168 [11.6]	21-5/16 [541.3]	10-5/8 [269.9]	2004VA42-221	235 [16.2]	20-1/16 [509.6]	10-5/8 [269.9]
1-1/2"	32.10	316SS	2004VA42-233	300 [20.7]	25-25/32 [654.8]	13-3/8 [339.7]	2004VA42-223	300 [20.7]	23-1/2 [596.9]	13-3/8 [339.7]
2"	50.30	Bronze	2005VA32-230	31 [2.1]	20-15/16 [531.8]	7-3/4 [196.9]	2005VA32-220	44 [3.0]	19-5/8 [498.5]	7-3/4 [196.9]
2"	50.30	Bronze	2005VA32-231	88 [6.1]	21-9/16 [547.7]	10-5/8 [269.9]	2005VA32-221	140 [9.7]	20-5/16 [515.9]	10-5/8 [269.9]
2"	50.30	Bronze	2005VA32-233	175 [12.1]	26-1/32 [661.2]	13-3/8 [339.7]	2005VA32-223	250 [17.2]	23-3/4 [603.3]	13-3/8 [339.7]
2"	50.30	316SS	2005VA42-230	31 [2.1]	20-15/16 [531.8]	7-3/4 [196.9]	2005VA42-220	44 [3.0]	19-5/8 [498.5]	7-3/4 [196.9]
2"	50.30	316SS	2005VA42-231	88 [6.1]	21-9/16 [547.7]	10-5/8 [269.9]	2005VA42-221	140 [9.7]	20-5/16 [515.9]	10-5/8 [269.9]
2"	50.30	316SS	2005VA42-233	175 [12.1]	26-1/32 [661.2]	13-3/8 [339.7]	2005VA42-223	272 [18.8]	23-3/4 [606.3]	13-3/8 [339.7]

MODEL CHART - CONTROL VALVES - HI-FLOW™ SERIES, 2-WAY, STOCKED MODELS					
Pipe Size	Cv 100%	Body Material	Air-To-Open Model	Set at USP psig [bar]	Adjustable USP Range psig [bar]
1/2"	6.45	Bronze	2000VA32-230-QS	125 [8.6]	96-200 [6.8-13.8]
3/4"	10.75	Bronze	2001VA32-230-QS	125 [8.6]	81-155 [5.6-10.7]
1"	17.42	Bronze	2002VA32-230-QS	125 [8.6]	123-166 [8.5-11.5]
1"	17.42	Bronze	2002VA32-231-QS	125 [8.6]	71-155 [4.9-10.7]
1-1/4"	25.30	Bronze	2003VA32-230-QS	98 [6.8]	66-98 [4.6-6.8]
1-1/4"	25.30	Bronze	2003VA32-231-QS	125 [8.6]	121-165 [8.3-11.4]
1-1/2"	32.10	Bronze	2004VA32-231-QS	125 [8.6]	104-137 [7.2-9.5]
2"	50.30	Bronze	2005VA32-231-QS	88 [6.1]	68-88 [4.7-6.1]
2"	50.30	Bronze	2005VA32-233-QS	125 [8.6]	116-145 [8.0-10.0]

HI-FLOW™ CONTROL VALVES

3-Way Standard Products for Mixing or Diverting



Caution: Use of an actuator supply gas other than air can create a hazardous environment because a small amount of gas continuously vents to atmosphere.

DIMENSIONS			
Pipe Size	B in [mm]	C in [mm]	D in [mm]
1/2"	2-9/16 [65.1]	2-3/16 [55.6]	4-1/8 [104.8]
3/4"	2-9/16 [65.1]	2-3/16 [55.6]	4-1/8 [104.8]
1"	3 [76.2]	2-7/16 [61.9]	4 [101.6]
1-1/4"	3-3/16 [81.0]	2-1/2 [63.5]	3-3/4 [95.3]
1-1/2"	3-3/4 [95.3]	2-3/4 [69.9]	3-11/16 [93.7]
2"	3-15/16 [100.0]	3-3/16 [81.0]	3-11/16 [93.7]

Use the standard models chart to aid in the selection of the most economical Hi-Flow™ 3-Way Control Valve for your application. Standard models include: LIN-E-AIRE® Air-To-Lower Actuator (port L opens on loss of air)

Mixing Service

FLOW IN - ports U&L; FLOW OUT - port C

Specify maximum upstream pressures [USP's]: USP_U and USP_L

To determine shutoff pressure: (USP_U - USP_C) + (USP_L - USP_C)

Diverting Service

FLOW IN - port C; FLOW OUT - ports U&L

Specify maximum upstream pressures [USP's]: USP_C; based on standard 3-15 psi [.21-1.0 bar] pneumatic control signal

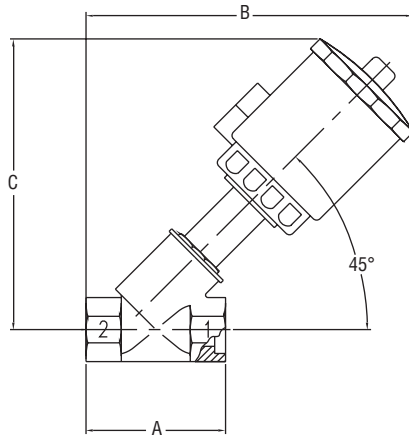
To determine shutoff pressure: USP_U + USP_C

MODEL CHART - HI-FLOW™ CONTROL VALVES, 3-WAY SIMPLIFIED SELECTION GUIDE WITH STANDARD PRODUCTS

Pipe Size	Cv 100%	Body Material	Model	USP [S] psi [bar]	E in [mm]	F in [mm]
1/2"	6.45	Bronze	3000WA32-220	250 [17.2]	18-1/16 [458.8]	7-3/4 [196.9]
1/2"	6.45	316SS	3000WA42-220	300 [20.7]	18-1/16 [458.8]	7-3/4 [196.9]
3/4"	10.75	Bronze	3001WA32-220	250 [17.2]	18-1/16 [458.8]	7-3/4 [196.9]
3/4"	10.75	316SS	3001WA42-220	300 [20.7]	18-1/16 [458.8]	7-3/4 [196.9]
1"	17.42	Bronze	3002WA32-220	200 [13.8]	18-5/16 [465.1]	7-3/4 [196.9]
1"	17.42	Bronze	3002WA32-221	250 [17.2]	19 [482.6]	10-5/8 [269.9]
1"	17.42	316SS	3002WA42-220	200 [13.8]	18-5/16 [465.1]	7-3/4 [196.9]
1"	17.42	316SS	3002WA42-221	300 [20.7]	19 [482.6]	10-5/8 [269.9]
1-1/4"	25.30	Bronze	3003WA32-220	120 [8.4]	18-3/8 [466.7]	7-3/4 [196.9]
1-1/4"	25.30	Bronze	3003WA32-221	250 [17.2]	19-1/16 [484.2]	10-5/8 [269.9]
1-1/4"	25.30	316SS	3003WA42-220	120 [8.3]	18-3/8 [466.7]	7-3/4 [196.9]
1-1/4"	25.30	316SS	3003WA42-221	300 [20.7]	19-1/16 [484.2]	10-5/8 [269.9]
1-1/2"	32.10	Bronze	3004WA32-220	80 [5.6]	18-5/8 [473.1]	7-3/4 [196.9]
1-1/2"	32.10	Bronze	3004WA32-221	200 [13.8]	19-5/16 [490.5]	10-5/8 [269.9]
1-1/2"	32.10	Bronze	3004WA32-223	250 [17.2]	21-3/8 [542.9]	13-3/8 [339.7]
1-1/2"	32.10	316SS	3004WA42-220	80 [5.5]	18-5/8 [473.1]	7-3/4 [196.9]
1-1/2"	32.10	316SS	3004WA42-221	200 [13.8]	19-5/16 [490.5]	10-5/8 [269.9]
1-1/2"	32.10	316SS	3004WA42-223	300 [20.7]	21-3/8 [542.9]	13-3/8 [339.7]
2"	50.30	Bronze	3005WA32-220	45 [3.1]	19-1/16 [484.2]	7-3/4 [196.9]
2"	50.30	Bronze	3005WA32-221	100 [6.9]	19-3/4 [501.7]	10-5/8 [269.9]
2"	50.30	Bronze	3005WA32-223	175 [12.1]	21-13/16 [554.0]	13-3/8 [339.7]
2"	50.30	316SS	3005WA42-220	45 [3.1]	19-1/16 [484.2]	7-3/4 [196.9]
2"	50.30	316SS	3005WA42-221	100 [6.9]	19-3/4 [501.7]	10-5/8 [269.9]
2"	50.30	316SS	3005WA42-223	175 [12.1]	21-12/16 [554.0]	13-3/8 [339.7]

ANGLE SEAT VALVE - BRONZE NPT

Low Cost, Compact Design, For Use with Gases and Liquids



Port Connection	A	B	C	Actuator Diameter	NO Cv	NC Cv
1/2"	2.56"	6.42"	5.51"	2.76"	6.61	6.61
3/4"	2.95"	6.81"	5.79"	2.76"	12.18	12.18
1"	3.54"	8.11"	6.93"	3.32"	23.2	23.2
1-1/4"	4.33"	10.04"	8.66"	3.32"	33.06	33.64
1-1/2"	4.72"	10.63"	9.25"	4.58"	33.3	53.36
1-1/2"	4.72"	12.05"	10.67"	4.58"	-	53.94
2"	5.91"	11.02"	9.45"	4.58"	-	68.44
2"	5.91"	12.44"	10.87"	5.54"	53.94	77.72

Save space while maintaining flow rates with the compact **SERIES SAV-BT** Angle Seat Valve. The pneumatic, externally piloted angle seat valve is operated by a single acting actuator with a mechanical spring for failsafe operation. Select from either normally closed (NC) or normally open (NO) configurations. NO valves can be used to prevent waterhammer on valve closure in liquid applications.

FEATURES/BENEFITS

- Can be used in most gas, liquid and steam applications
- Integral heat sink protects Polyamide actuator
- Can be mounted in any position
- Actuator can be rotated 360° for positioning pressure ports

MODEL CHART			
Port Connection	Actuator Diameter	Normally Closed Model	Normally Open Model
1/2 NPT	2.76"	SAV-BTA1-NC	SAV-BTA2-NO
3/4 NPT	2.76"	SAV-BTB1-NC	SAV-BTB2-NO
1 NPT	3.32"	SAV-BTC1-NC	SAV-BTC3-NO
1-1/4 NPT	3.32"	SAV-BTD3-NC	SAV-BTD3-NO
1-1/2 NPT	4.58"	SAV-BTE2-NC	-
1-1/2 NPT	5.54"	SAV-BTE3-NC	SAV-BTE3-NO
2 NPT	4.58"	SAV-BTF2-NC	-
2 NPT	5.54"	SAV-BTF3-NC	SAV-BTF3-NO

SPECIFICATIONS

VALVE BODY

Service: Gases and liquids compatible with wetted materials.
Wetted Materials: Valve body: Bronze; Plug and stem: AISI 316L SS; Stem O-ring: Fluoroelastomers; Seat and seal: PTFE.
Line Sizes: 1/2" to 2" NPT.
Pressure Limits: See table.
Flow Leakage: Meets ANSI Class VI.
Temperature Limits: 14 to 358°F (-25 to 180°C).

ACTUATOR

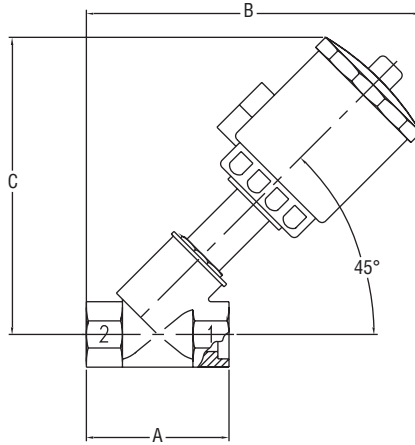
Type: Piston/pneumatic spring.
Pilot Connections: NAMUR solenoid mounting pad.
Pilot Media: Air, water, inert gas.
Pressure Limits: See table.
Temperature Limit: 185°F (85°C).

LINE AND PILOT PRESSURE CHART (PSI)											
Port Connection	Actuator Diameter	Normally Closed					Normally Open				
		Max. Line Pressure	Max. Steam Pressure	Flow Direction	Min. Pilot Pressure	Max. Pilot Pressure	Max. Line Pressure	Max. Steam Pressure	Flow Direction	Min. Pilot Pressure	Max. Pilot Pressure
1/2 NPT	2.76"	230	150	Overseat	60	143	230	150	Underseat	60	143
3/4 NPT	2.76"	230	150	Overseat	60	143	230	150	Underseat	60	143
1 NPT	3.32"	290	150	Overseat	60	143	230	150	Underseat	60	143
1-1/4 NPT	3.32"	230	150	Overseat	60	114	230	150	Underseat	60	114
1-1/2 NPT	4.58"	230	150	Overseat	60	114	230	150	Underseat	60	114
1-1/2 NPT	5.54"	230	150	Overseat	60	114	230	150	Underseat	60	114
2 NPT	4.58"	143	150	Overseat	60	114	230	150	Underseat	60	114
2 NPT	5.54"	232	150	Overseat	60	114	230	150	Underseat	60	114



ANGLE SEAT VALVE - STAINLESS STEEL NPT

Low Cost, Compact Design, For Use with Gases & Liquids



Port Connection	A	B	C	Actuator Diameter	NO Cv	NC Cv
1/2"	3.35"	7.48"	6.14"	2.76"	6.61	6.61
3/4"	3.74"	7.68"	6.3"	2.76"	12.18	12.18
1"	4.13"	8.62"	7.17"	3.32"	23.2	23.2
1-1/4"	4.72"	10.47"	8.9"	3.32"	33.06	33.64
1-1/2"	5.12"	10.67"	9.06"	4.58"	33.3	53.36
1-1/2"	5.12"	12.09"	10.47"	4.58"	-	53.94
2"	5.91"	11.22"	9.45"	4.58"	-	68.44
2"	5.91"	12.64"	10.87"	5.54"	53.94	77.72

Save space while maintaining flow rates with the compact **SERIES SAV-ST** Angle Seat Valve. The pneumatic, externally piloted angle seat valve is operated by a single acting actuator with a mechanical spring for failsafe operation. Select from either normally closed (NC) or normally open (NO) configurations. NO valves can be used to prevent waterhammer on valve closure in liquid applications.

FEATURES/BENEFITS

- Can be used in most gas, liquid and steam applications
- Integral heat sink protects Polyamide actuator
- Can be mounted in any position
- Actuator can be rotated 360° for positioning pressure ports

MODEL CHART

Port Connection	Actuator Diameter	Normally Closed Model	Normally Open Model
1/2 NPT	2.76"	SAV-STA1-NC	SAV-STA2-NO
3/4 NPT	2.76"	SAV-STB1-NC	SAV-STB2-NO
1 NPT	3.32"	SAV-STC2-NC	SAV-STC3-NO
1-1/4 NPT	3.32"	SAV-STD3-NC	SAV-STD3-NO
1-1/2 NPT	4.58"	SAV-STE2-NC	-
1-1/2 NPT	5.54"	SAV-STE3-NC	SAV-STE3-NO
2 NPT	4.58"	SAV-STF2-NC	-
2 NPT	5.54"	SAV-STF3-NC	SAV-STF3-NO

SPECIFICATIONS

VALVE BODY

Service: Gases and liquids compatible with wetted materials.

Wetted Materials: Valve body: AISI 316L SS; Plug and stem: AISI 316L SS; Stem

O-ring: Fluoroelastomer; Seat and seal: PTFE.

Line Sizes: 1/2" to 2" NPT.

Pressure Limits: See table.

Flow Leakage: Meets ANSI Class VI.

Temperature Limits: 14 to 358°F (-25 to 180°C).

ACTUATOR

Type: Piston/pneumatic spring.

Pilot Connections: NAMUR solenoid mounting pad.

Pilot Media: Air, water, inert gas.

Pressure Limits: See table.

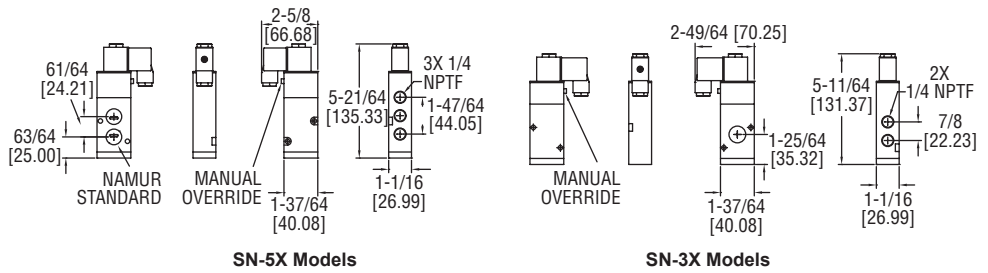
Temperature Limit: 185°F (85°C).

LINE AND PILOT PRESSURE CHART (PSI)

Port Connection	Actuator Diameter	Normally Closed					Normally Open				
		Max. Line Pressure	Max. Steam Pressure	Flow Direction	Min. Pilot Pressure	Max. Pilot Pressure	Max. Line Pressure	Max. Steam Pressure	Flow Direction	Min. Pilot Pressure	Max. Pilot Pressure
1/2 NPT	2.76"	230	150	Overseat	60	143	230	150	Underseat	60	143
3/4 NPT	2.76"	230	150	Overseat	60	143	230	150	Underseat	60	143
1 NPT	3.32"	290	150	Overseat	60	143	230	150	Underseat	60	143
1-1/4 NPT	3.32"	230	150	Overseat	60	114	230	150	Underseat	60	114
1-1/2 NPT	4.58"	230	150	Overseat	60	114	230	150	Underseat	60	114
1-1/2 NPT	5.54"	230	150	Overseat	60	114	230	150	Underseat	60	114
2 NPT	4.58"	143	150	Overseat	60	114	230	150	Underseat	60	114
2 NPT	5.54"	232	150	Overseat	60	114	230	150	Underseat	60	114

NAMUR MOUNT SOLENOID VALVE

Manual Override, 100% Duty Rating



The **SERIES SN** Solenoid Valves are designed to easily mount directly to pneumatic valve actuators reducing the need for tubing, fittings or brackets, thereby reducing assembly cost. The SN solenoid comes with nitrile o-rings and offers a manual override as a standard feature. The 3/2 solenoids are designed for spring return actuators and 5/2 solenoids are designed to be used with double acting actuators. The SN series is available in a variety of voltages for any application.

FEATURES/BENEFITS

- NAMUR mount means the solenoid can be mounted directly to valve actuators
- Designed for double acting or spring return actuators
- 100% continuous duty rating
- Manual override

SPECIFICATIONS

Service: Air only.
Power Requirements: 24 VAC, 110 VAC, 220 VAC, 12 VDC, or 24 VDC.
Supply Pressure: 22 to 116 psi (1.5 to 7.9 bar).
Air Connections: 1/4" female NPT.
Temperature Limits: 23 to 140°F (-5 to 60°C).
Electrical Connection: DIN 43650 form A.
Enclosure Rating: IP65.
Mounting: NAMUR.
Standard Features: Manual override.
Weight: 1.0 lb (.45 kg).
Agency Approvals: CE.

MODEL CHART

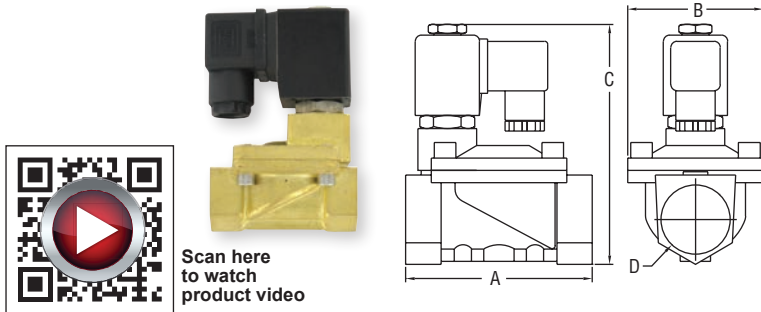
Model	Power	Action	Actuator Type	Model	Power	Action	Actuator Type
SN-5A	110 VAC	5/2	Double acting	SN-3A	110 VAC	3/2	Spring return
SN-5B	220 VAC	5/2	Double acting	SN-3B	220 VAC	3/2	Spring return
SN-5C	24 VAC	5/2	Double acting	SN-3C	24 VAC	3/2	Spring return
SN-5E	24 VDC	5/2	Double acting	SN-3E	24 VDC	3/2	Spring return
SN-5D	12 VDC	5/2	Double acting	SN-3D	12 VDC	3/2	Spring return



Model SN mounted to an actuator

BRASS SOLENOID VALVES, 2-WAY GUIDED NC

Compact Design, Immune to Mounting Orientation



Model	A in [mm]	B in [mm]	C in [mm]	D NPT	Weight lb [kg]
SBSV-B1NX	1-5/8 [41]	1-5/32 [29]	3-9/32 [83]	1/8"	0.82 [0.37]
SBSV-B2NX	1-5/8 [41]	1-5/32 [29]	3-9/32 [83]	1/4"	0.79 [0.36]
SBSV-B3NX	2-5/8 [66]	1-57/64 [48]	4-7/16 [112]	3/8"	1.54 [0.7]
SBSV-B4NX	2-5/8 [66]	1-57/64 [48]	4-7/16 [112]	1/2"	1.98 [0.9]
SBSV-B5NX	2-61/64 [75]	2-19/64 [58]	4-21/32 [118]	3/4"	1.98 [0.9]
SBSV-B6NX	3-25/32 [96]	2-49/64 [70]	5-11/64 [131]	1"	3.09 [1.4]
SBSV-B7NX	5-11/64 [131]	3-25/32 [96]	3-3/4 [146]	1-1/4"	6.17 [2.8]
SBSV-B8NX	5-11/64 [131]	3-25/32 [96]	5-3/4 [146]	1-1/2"	5.95 [2.7]
SBSV-B9NX	6-1/2 [165]	4-47/64 [120]	6-37/64 [167]	2"	10.58 [4.8]

The **SERIES SBSV-B** Solenoid Valves are compact, general-service, two-way guide type solenoid valves for air, gas, water and other liquid applications. They are available in brass with a normally closed design and can be oriented in any position. The solenoid enclosure provides protection against dust, while also protecting against seepage of oil and non-corrosive coolants. The Series SBSV-B valves come assembled with an NBR seal, having a maximum process temperature of 176°F (80°C). The series offers a wide range of valve sizes and flow ranges, with connection sizes from 1/8" to 2" NPT and orifices from 3 mm to 50 mm.

MODEL CHART

Model	Connection, NPT	Orifice in [mm]	Cv Value	Voltage
SBSV-B1N1	1/8"	0.12 [3]	0.23	110 VAC
SBSV-B2N1	1/4"	0.12 [3]	0.23	110 VAC
SBSV-B3N1	3/8"	0.51 [13]	4.5	110 VAC
SBSV-B4N1	1/2"	0.51 [13]	4.5	110 VAC
SBSV-B5N1	3/4"	0.79 [20]	7.6	110 VAC
SBSV-B6N1	1"	0.98 [25]	12	110 VAC
SBSV-B7N1	1-1/4"	1.38 [35]	22	110 VAC
SBSV-B8N1	1-1/2"	1.57 [40]	30	110 VAC
SBSV-B9N1	2"	1.97 [50]	48	110 VAC

Note: Consult factory for 220 VAC, 24 VAC and 24 VDC.

SPECIFICATIONS

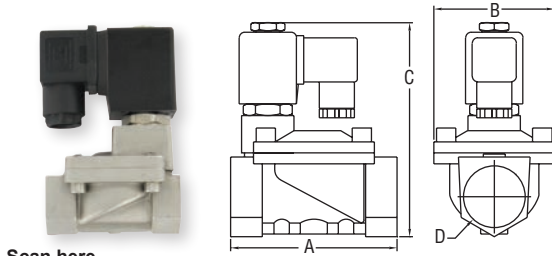
Service: Compatible gases and liquids.
Line Size: 1/8 to 2" NPT.
End Connections: Female NPT.
Operating Pressure: 1/8 to 1/4": 0 psi (0 bar) to 188.5 psi (13 bar); 3/8 to 2": 7.3 psi (0.5 bar) to 188.5 psi (13 bar).
Pressure Limit: 246.6 psi (17 bar).
Wetted Material: Body: Brass; Spring: 304 SS; Seal: NBR.
Temperature Limits: Process: 176°F (80°C); Ambient: 32 to 149°F (0 to 65°C).
Power Requirements: Standard: 110 VAC; Optional: 220 VAC, 24 VDC, 24 VAC consult factory.
Power Consumption: See table.
Enclosure Rating: NEMA 13 (IP54).
Electrical Connection: DIN connection.
Other Materials: Nylon.
Mounting Orientation: Any position, best if solenoid vertically above valve.
Weight: See table.
Type of Operation: NC.
Agency Approvals: CE.

Voltage	50 Hz (VA)		60 Hz (VA)		DC (W)
	Inrush	Holding	Inrush	Holding	
220 VAC	55	22	55	18	-
110 VAC	55	22	55	18	-
24 VAC	45	18	45	15	-
24 VDC	-	-	-	-	13

©Solenoid Coils: See page 401 (Series SRC)

SS SOLENOID VALVES, 2-WAY GUIDED NC

Compact Design, Immune to Mounting Orientation



Scan here to watch product video

Model	A in [mm]	B in [mm]	C in [mm]	D NPT	Weight lb [kg]
SBSV-S1FX	1-5/8 [41]	1-5/32 [29]	3-9/32 [83]	1/8"	0.82 [0.37]
SBSV-S2FX	1-5/8 [41]	1-5/32 [29]	3-9/32 [83]	1/4"	0.79 [0.36]
SBSV-S3FX	2-5/8 [66]	1-57/64 [48]	4-7/16 [112]	3/8"	1.65 [0.75]
SBSV-S4FX	2-5/8 [66]	1-57/64 [48]	4-7/16 [112]	1/2"	1.54 [0.7]
SBSV-S5FX	2-61/64 [75]	2-19/64 [58]	4-21/32 [118]	3/4"	1.98 [0.9]
SBSV-S6FX	3-25/32 [96]	2-49/64 [70]	5-11/64 [131]	1"	2.87 [1.3]
SBSV-S7FX	5-11/64 [131]	3-25/32 [96]	3-3/4 [146]	1-1/4"	5.73 [2.6]
SBSV-S8FX	5-11/64 [131]	3-25/32 [96]	3-3/4 [146]	1-1/2"	5.51 [2.5]
SBSV-S9FX	6-1/2 [165]	3-47/64 [120]	6-37/64 [167]	2"	9.7 [4.4]

SERIES SBSV-B Solenoid Valves are compact, general-service, two-way guide type solenoid valves for air, gas, water and other liquid applications. They are available in brass with a normally closed design and can be oriented in any position. The solenoid enclosure provides protection against dust, while also protecting against seepage of oil and non-corrosive coolants. The Series SBSV-B valves come assembled with an NBR seal, having a maximum process temperature of 176°F (80°C). The series offers a wide range of valve sizes and flow ranges, with connection sizes from 1/8" to 2" NPT and orifices from 3 mm to 50 mm.

Model	Connection, NPT	Orifice in [mm]	Cv Value	Voltage
SBSV-S1F1	1/8"	0.12 [3]	0.23	110 VAC
SBSV-S2F1	1/4"	0.12 [3]	0.23	110 VAC
SBSV-S3F1	3/8"	0.51 [13]	4.5	110 VAC
SBSV-S4F1	1/2"	0.51 [13]	4.5	110 VAC
SBSV-S5F1	3/4"	0.79 [20]	7.6	110 VAC
SBSV-S6F1	1"	0.98 [25]	12	110 VAC
SBSV-S7F1	1-1/4"	1.38 [35]	22	110 VAC
SBSV-S8F1	1-1/2"	1.57 [40]	30	110 VAC
SBSV-S9F1	2"	1.97 [50]	48	110 VAC

Note: Consult factory for 220 VAC, 24 VAC and 24 VDC.

SPECIFICATIONS

Service: Compatible gases and liquids.
Line Size: 1/8 to 2" NPT.
End Connections: Female NPT.
Operating Pressure: 1/8 to 1/4": 0 psi (0 bar) to 188.5 psi (13 bar); 3/8 to 2": 7.3 psi (0.5 bar) to 188.5 psi (13 bar).
Pressure Limit: 246.6 psi (17 bar).
Wetted Material: Body: 316 SS; Spring: 304 SS; Seal: Fluoroelastomer.
Temperature Limits: Process: 176°F (80°C); Ambient: 32 to 149°F (0 to 65°C).

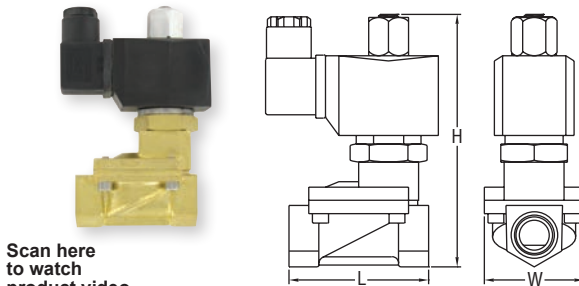
Power Requirements: Standard: 110 VAC; Optional: 220 VAC, 24 VDC, 24 VAC consult factory. **Ⓢ**
Power Consumption: See table.
Enclosure Rating: NEMA 13 (IP54).
Electrical Connection: DIN connection.
Other Materials: Nylon.
Mounting Orientation: Any position, best if solenoid vertically above valve.
Weight: See table.
Type of Operation: NC.
Agency Approvals: CE.

Voltage	50 Hz (VA)		60 Hz (VA)		DC (W)
	Inrush	Holding	Inrush	Holding	
220 VAC	55	22	55	18	-
110 VAC	55	22	55	18	-
24 VAC	45	18	45	15	-
24 VDC	-	-	-	-	13

Ⓢ Solenoid Coils: See page 401 (Series SRC)

BRASS SOLENOID VALVES, 2-WAY GUIDED NO

Compact Design, Immune to Mounting Orientation



Scan here to watch product video

Model	L in [mm]	H in [mm]	W in [mm]	Weight lb [kg]
SSV-B1NX	1-5/8 [41]	3-15/32 [88]	1-9/64 [29]	0.88 [0.40]
SSV-B2NX	1-5/8 [41]	3-17/64 [83]	1-9/64 [29]	0.86 [0.39]
SSV-B3NX	2-19/32 [66]	4-57/64 [124]	1-57/64 [48]	1.98 [0.90]
SSV-B4NX	2-19/32 [66]	4-57/64 [124]	1-57/64 [48]	1.98 [0.90]
SSV-B5NX	2-61/64 [75]	5-1/8 [130]	2-9/32 [58]	2.42 [1.10]
SSV-B6NX	3-25/32 [96]	5-5/8 [143]	2-3/4 [70]	3.52 [1.60]
SSV-B7NX	5-5/32 [131]	6-7/32 [158]	3-25/32 [96]	6.60 [3.00]
SSV-B8NX	5-5/32 [131]	6-7/32 [158]	3-25/32 [96]	6.16 [2.80]
SSV-B9NX	6-1/2 [165]	7-3/64 [179]	4-47/64 [120]	5.00 [11.0]

SERIES SSV-B Solenoid Valves are compact, general-service, two-way guide type solenoid valves for air, gas, water, and other liquid applications. They are available in brass with a normally open design and can be oriented in any position. The solenoid enclosure provides protection against dust while also protecting against seepage of oil and non-corrosive coolants. The Series SSV-B valves come assembled with an NBR seal having a maximum process temperature of 176°F (80°C). The series offers a wide range of valve sizes and flow ranges with connection sizes from 1/8" to 2" NPT and orifices from 3 mm to 50 mm.

Model	Connection, NPT	Orifice in [mm]	Cv Value	Voltage
SSV-B1N1	1/8"	0.12 [3]	0.25	110 VAC
SSV-B2N1	1/4"	0.12 [3]	0.25	110 VAC
SSV-B3N1	3/8"	0.51 [13]	4.5	110 VAC
SSV-B4N1	1/2"	0.51 [13]	4.5	110 VAC
SSV-B5N1	3/4"	0.79 [20]	7.6	110 VAC
SSV-B6N1	1"	0.98 [25]	12	110 VAC
SSV-B7N1	1-1/4"	1.38 [35]	22	110 VAC
SSV-B8N1	1-1/2"	1.57 [40]	30	110 VAC
SSV-B9N1	2"	1.97 [50]	48	110 VAC

Note: Consult factory for 220 VAC, 24 VAC and 24 VDC.

SPECIFICATIONS

Service: Compatible gases and liquids.
Line Size: 1/8 to 2" NPT.
End Connections: Female NPT.
Operating Pressure: 1/8 to 1/4": 0 psi (0 bar) to 87 psi (6 bar); 3/8 to 2": 7.3 psi (0.5 bar) to 116 psi (8 bar).
Pressure Limit: 174 psi (12 bar).
Wetted Material: Body: Brass; Spring: 304 SS; Seal: NBR.
Temperature Limits: Process: 176°F (80°C); Ambient: 32 to 149°F (0 to 65°C).

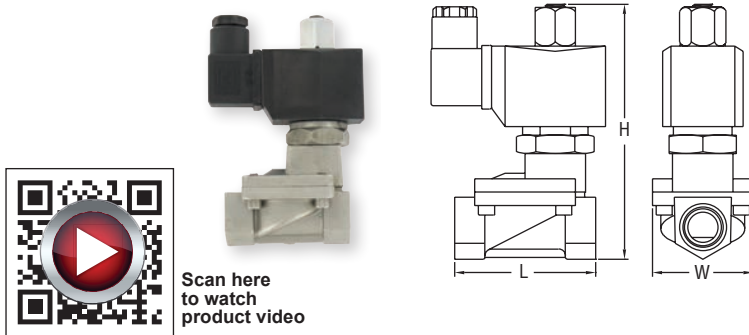
Power Requirements: Standard: 110 VAC; Optional: 220 VAC, 24 VDC consult factory. **Ⓢ**
Power Consumption: See table.
Enclosure Rating: NEMA 13 (IP54).
Electrical Connection: DIN connection.
Other Materials: Nylon.
Mounting Orientation: Any position, best if solenoid vertically above valve.
Weight: See table.
Type of Operation: NO.
Agency Approvals: CE.

Voltage	50 Hz (VA)		60 Hz (VA)		DC (W)
	Inrush	Holding	Inrush	Holding	
220 VAC	82	33	82	28	-
110 VAC	82	33	82	28	-
24 VDC	-	-	-	-	32

Ⓢ Solenoid Coils: See page 401 (Series SRC)

SS SOLENOID VALVES, 2-WAY GUIDED NO

Compact Design, Immune to Mounting Orientation



Model	L in [mm]	H in [mm]	W in [mm]	Weight lb [kg]
SSV-S1FX	1-5/8 [41]	3-15/32 [88]	1-9/64 [29]	0.88 [0.40]
SSV-S2FX	1-5/8 [41]	3-17/64 [83]	1-9/64 [29]	0.86 [0.39]
SSV-S3FX	2-19/32 [66]	4-57/64 [124]	1-57/64 [48]	2.09 [0.95]
SSV-S4FX	2-19/32 [66]	4-57/64 [124]	1-57/64 [48]	1.98 [0.90]
SSV-S5FX	2-61/64 [75]	5-1/8 [130]	2-9/32 [58]	2.42 [1.10]
SSV-S6FX	3-25/32 [96]	5-5/8 [143]	2-3/4 [70]	3.30 [1.50]
SSV-S7FX	5-5/32 [131]	6-7/32 [158]	3-25/32 [96]	6.16 [2.80]
SSV-S8FX	5-5/32 [131]	6-7/32 [158]	3-25/32 [96]	5.94 [2.70]
SSV-S9FX	6-1/2 [165]	7-3/64 [179]	4-47/64 [120]	10.1 [4.60]

The **SERIES SSV-S** Solenoid Valves are compact, general-service, two-way guide type solenoid valves for air, gas, water, and other liquid applications. They are available in stainless steel with a normally open design and can be oriented in any position. The solenoid enclosure provides protection against dust, while also protecting against seepage of oil and non-corrosive coolants. The Series SSV-S valves come assembled with a fluor elastomer seal, having a maximum process temperature of 248°F (120°C). The series offers a wide range of valve sizes and flow ranges, with connection sizes from 1/8" to 2" NPT and orifices from 3 mm to 50 mm.

Model	Connection, NPT	Orifice in [mm]	Cv Value	Voltage
SSV-S1F1	1/8"	0.12 [3]	0.25	110 VAC
SSV-S2F1	1/4"	0.12 [3]	0.25	110 VAC
SSV-S3F1	3/8"	0.51 [13]	4.5	110 VAC
SSV-S4F1	1/2"	0.51 [13]	4.5	110 VAC
SSV-S5F1	3/4"	0.79 [20]	7.6	110 VAC
SSV-S6F1	1"	0.98 [25]	12	110 VAC
SSV-S7F1	1-1/4"	1.38 [35]	22	110 VAC
SSV-S8F1	1-1/2"	1.57 [40]	30	110 VAC
SSV-S9F1	2"	1.97 [50]	48	110 VAC

Note: Consult factory for 220 VAC, 24 VAC and 24 VDC.

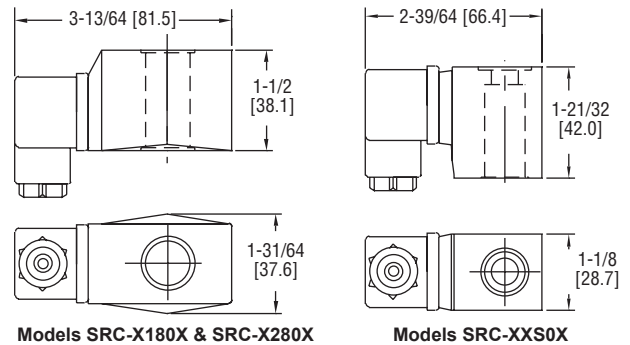
SPECIFICATIONS	
Service: Compatible gases and liquids.	Power Requirements: Standard: 110 VAC; Optional: 220 VAC; 24 VDC consult factory. ●
Line Size: 1/8 to 2" NPT.	Power Consumption: See table.
End Connections: Female NPT.	Enclosure Rating: NEMA 13 (IP54).
Operating Pressure: 1/8 to 1/4": 0 psi (0 bar) to 87 psi (6 bar); 3/8 to 2": 7.3 psi (0.5 bar) to 116 psi (8 bar).	Electrical Connection: DIN connection.
Pressure Limit: 174 psi (12 bar).	Other Materials: Nylon.
Wetted Material: Body: 316 SS; Spring: 304 SS; Seal: Fluoroelastomer.	Mounting Orientation: Any position, best if solenoid vertically above valve.
Temperature Limits: Process: 248°F (120°C); Ambient: 32 to 149°F (0 to 65°C).	Weight: See table.
	Type of Operation: NO.
	Agency Approvals: CE.

Voltage	50 Hz (VA)		60 Hz (VA)		DC (W)
	Inrush	Holding	Inrush	Holding	
220 VAC	82	33	82	28	-
110 VAC	82	33	82	28	-
24 VDC	-	-	-	-	32

● Solenoid Coils: See page 401 (Series SRC)

SOLENOID REPLACEMENT COILS

For the Series SSV and SBSV Solenoid Valves



The **SERIES SRC** Solenoid Coils electrically operate the SSV and SBSV solenoid valves. When the solenoid coil receives an electrical input signal it acts upon the valve, changing its state. These coils are field replaceable with their compatible solenoid valves and come in a wide range of voltages.

SPECIFICATIONS	
Compatible Valves: SSV or SBSV.	Enclosure Rating: NEMA 13 (IP54).
Power Requirements: 220 VAC, 110 VAC, 24 VAC or 24 VDC.	Power Consumption: See table.
Electrical Connections: DIN connection.	Agency Approvals: CE.

SSV COMPATIBLE COILS						
Model	Voltage	50 Hz (VA)		60 Hz (VA)		DC (W)
		Inrush	Holding	Inrush	Holding	
SRC-D1B0P	220 VAC	82	33	82	28	-
SRC-D2B0P	110 VAC	82	33	82	28	-
SRC-D3B0P	24 VAC	72	29	72	25	-
SRC-D4B0P	24 VDC	-	-	-	-	32

Note: Consult factory for 220 VAC, 24 VAC and 24 VDC.

SBSV COMPATIBLE COILS						
Model	Voltage	50 Hz (VA)		60 Hz (VA)		DC (W)
		Inrush	Holding	Inrush	Holding	
SRC-D1S0C	220 VAC	55	22	55	18	-
SRC-D2S0C	110 VAC	55	22	55	18	-
SRC-D3S0C	24 VAC	45	18	45	15	-
SRC-D4S0C	24 VDC	-	-	-	-	13

Note: Consult factory for 220 VAC, 24 VAC and 24 VDC.

SPRINGLESS DIAPHRAGM VALVES

Pulse Valve, Ideal for Dust Collection Systems and Bag Houses



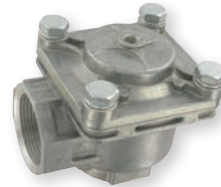
DCS35T1D



DCS35C1D



RDCS20C



RDCS35T



RDCS35C



Scan here to watch product video

The **SERIES DCS/RDCS** Springless Dust Collection Valves are ideal for use with the Series DCT1000 and Series DCT500 duct collection timer boards. A springless design offers not only durability, but also reliability for an exceptional cleaning pulse. Both the Series DCS and RDCS have the option for either coupling or NPT connections. The coupling connection allows for a quick and simple installation. Only the stub pipe and blowtube need to be cleaned and deburred before the valve is fit into position. The "T" Series DCS has female threaded connections and the "C" Series DCS has a coupling connection. Both the "T" and "C" versions have a 90° angle between the inlet and outlet: the most suitable configuration for pulse valve applications. The valves are offered in both integrated and remote coil configurations.

FEATURES/BENEFITS

- Thermoplastic polyurethane diaphragm for longer life
- High flow factor for effective cleaning
- Unique diaphragm design eliminates spring
- Valve can be mounted in any position
- Quick on & off response time

MODEL CHART					
Model	Size	Solenoid	Connection	Number of Diaphragms	Cv Factor (gal/min)
RDCS20T	3/4"	Remote	NPT	1	14
RDCS20C	3/4"	Remote	Coupling	1	14
DCS20T1D	3/4"	Integral*	NPT	1	14
DCS20C1D	3/4"	Integral*	Coupling	1	14
RDCS25T	1"	Remote	NPT	1	23
RDCS25C	1"	Remote	Coupling	1	23
DCS25T1D	1"	Integral*	NPT	1	23
DCS25C1D	1"	Integral*	Coupling	1	23
RDCS35T	1-1/2"	Remote	NPT	1	42
RDCS35C	1-1/2"	Remote	Coupling	1	42
DCS35T1D	1-1/2"	Integral*	NPT	1	42
DCS35C1D	1-1/2"	Integral*	Coupling	1	42

*110 VAC with DIN connector

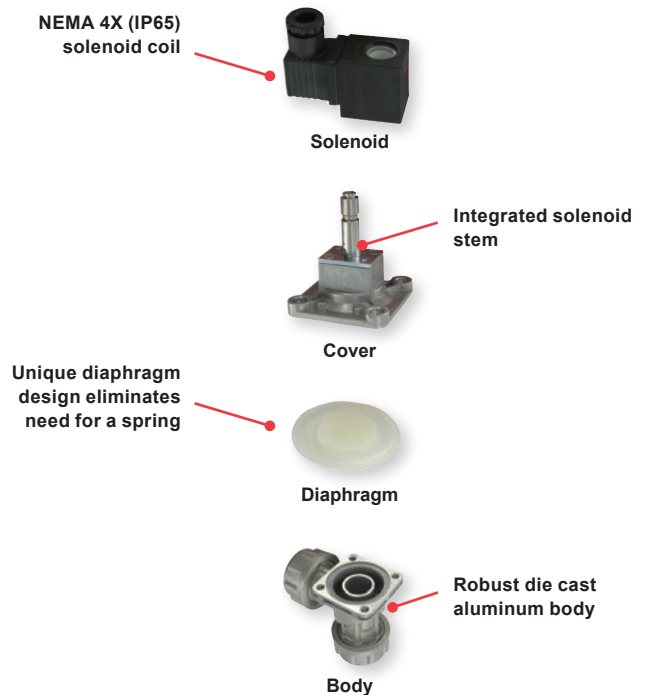
MODEL CHART - GUIDE					
Example	DCS	20	T	1D	DCS20T1D
Construction	DCS RDCS				Integrated coil Remote coil
Size		20 25 35			3/4" 1" 1-1/2"
Connection			T C		NPT Coupling
Voltage				1D 2D 3D	110 VAC DIN (for integrated coil only) 220 VAC DIN (for integrated coil only) 24 VDC DIN (for integrated coil only)

ACCESSORIES	
Model	Description
A-237	Muffler
BDA-5030-Q	3/4" DCS/RDCS pulse valve replacement diaphragm
BDA-5230-Q	1" DCS/RDCS pulse valve replacement diaphragm
BDA-5430-Q	1-1/2" DCS/RDCS pulse valve replacement diaphragm
RSV1D-COIL	110 VAC DIN replacement solenoid coil
RSV2D-COIL	220 VAC DIN replacement solenoid coil
RSV3D-COIL	24 VAC DIN replacement solenoid coil

SPECIFICATIONS

Service: Compatible gases, filtered and oil free.
Wetted Materials: Body: Aluminum; Diaphragm disc: Thermoplastic polyurethane; Solenoid seals: NBR.
Other Materials: Cover: Aluminum; Body bolts: Zinc plated SS; Solenoid: Nylon.
Pressure Limits: Min. of 4.4 psi (0.3 bar), max. of 124.7 psi (8.6 bar).
Temperature Limits: Ambient: -4 to 140°F (-20 to 60°C); Operating: -4 to 185°F (-20 to 85°C).
Power Requirements: 110 VAC, 220 VAC, or 24 VDC for DCS models.
Power Consumption: 12 W; Inrush: 17 VA; Holding: 14.5 VA for DCS models.
Electrical Connection: DIN connection for DCS models.
Enclosure Rating: NEMA 4X (IP65) for DCS models.
Process Connection: See model chart.
Mounting Orientation: Any position.
Agency Approvals: CE.

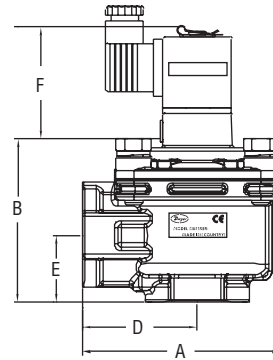
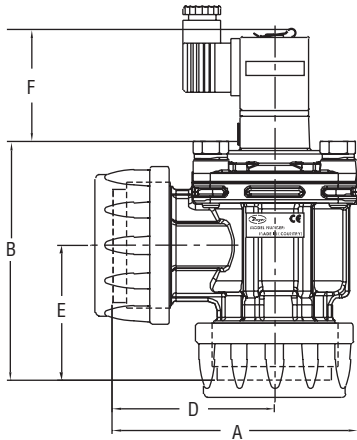
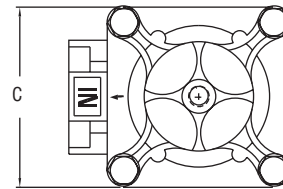
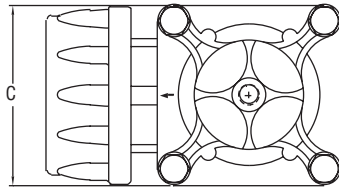
DIAPHRAGM VALVE CONSTRUCTION



Valves, Diaphragm Pulse

SPRINGLESS DIAPHRAGM VALVES

Pulse Valve, Ideal for Dust Collection Systems and Bag Houses



DIMENSIONAL CHART							
Model	Connection	A in [mm]	B in [mm]	C in [mm]	D in [mm]	E in [mm]	F in [mm]
DCS20TxD	NPT	3-1/8" [79.38]	2-47/64" [69.45]	2-45/64" [68.66]	1-37/64" [40.08]	1-15/64" [31.35]	2-5/32" [54.77]
DCS25TxD	NPT	3-19/64" [83.74]	3-7/32" [81.76]	2-53/64" [71.83]	1-55/64" [47.23]	1-31/64" [37.70]	2-11/32" [59.53]
DCS35TxD	NPT	4-11/32" [110.33]	3-43/64" [93.27]	3-1/2" [88.9]	2-17/32" [64.29]	1-15/32" [37.31]	2-3/8" [60.33]
DCS20CxD	Coupling	4-9/64" [105.17]	3-25/64" [86.10]	2-45/64" [68.66]	2-39/64" [66.28]	1-51/64" [45.64]	2-11/64" [55.17]
DCS25CxD	Coupling	4-7/16" [112.71]	4-43/64" [118.67]	2-53/64" [71.83]	3" [76.20]	2-49/64" [70.25]	2-23/64" [59.93]
DCS35CxD	Coupling	5-23/64" [136.13]	5-21/64" [135.33]	3-1/2" [88.9]	3-35/64" [90.09]	2-61/64" [75.01]	2-3/8" [60.33]
RDCS20T	NPT	3-1/8" [79.38]	2-47/64" [69.45]	2-45/64" [68.66]	1-37/64" [40.08]	1-15/64" [31.35]	-
RDCS25T	NPT	3-19/64" [83.74]	3-7/32" [81.76]	2-53/64" [71.83]	1-55/64" [47.23]	1-31/64" [37.70]	-
RDCS35T	NPT	4-11/32" [110.33]	3-43/64" [93.27]	3-1/2" [88.9]	2-17/32" [64.29]	1-15/32" [37.31]	-
RDCS20C	Coupling	4-9/64" [105.17]	3-25/64" [86.10]	2-45/64" [68.66]	2-39/64" [66.28]	1-51/64" [45.64]	-
RDCS25C	Coupling	4-7/16" [112.71]	4-43/64" [118.67]	2-53/64" [71.83]	3" [76.20]	2-49/64" [70.25]	-
RDCS35C	Coupling	5-23/64" [136.13]	5-21/64" [135.33]	3-1/2" [88.9]	3-35/64" [90.09]	2-61/64" [75.01]	-

OPERATING PRINCIPLE

The valve is divided into two chambers by a diaphragm. These upper and lower chambers are connected by a small air passage so both chambers see the same pressure. When the exhaust is closed air cannot vent out of the upper chamber and the valve stays closed as shown in Figure 1. When the exhaust on the upper chamber is opened the air pressure decreases on top of the diaphragm allowing the air pressure on the bottom to force open the valve by pushing the diaphragm up as shown in Figure 2. When the valve opens an abrupt air blast comes through the valve outlet and is directed by the dust collector to the dirty filter. The air pulse then blows out through the filter from the inside blowing the particulate accumulation off of the filter to clean it. After the air pulse the pressure in the upper and lower chamber will equalize and the diaphragm will return to the closed position. The valve exhaust port is controlled by either an integral or remote solenoid.

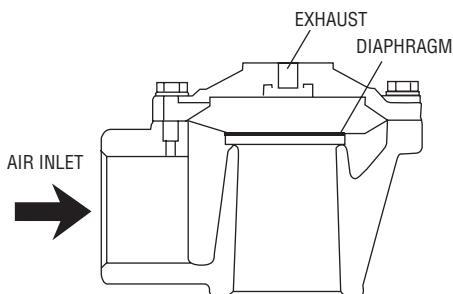


Figure 1: Closed Position

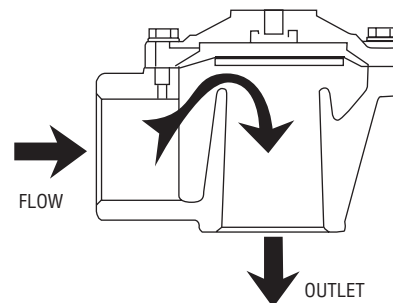
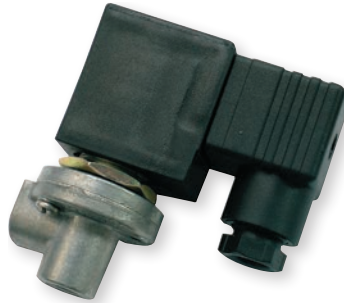


Figure 2: Open Position

PILOT SOLENOID VALVE

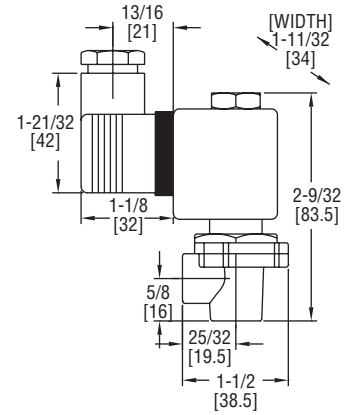
For Use with Remote Valves



RSV1D



RSV1L



The **SERIES RSV** Pilot Solenoid Valve is used to operate the Series RDCV remote type diaphragm valve to air pulse clean filters in dust collectors. Consult factory for mounting of RSV valves with our DCT timer boards together in one enclosure all pre-wired.

MODEL CHART			
Model	Voltage	Electrical Connections	Cv Value
RSV1D	110 VAC	DIN	.33
RSV2D	220 VAC	DIN	.33
RSV3D	24 VDC	DIN	.33
RSV1L	110 VAC	Wire leads	.33
RSV2L	220 VAC	Wire leads	.33
RSV3L	24 VDC	Wire leads	.33

SPECIFICATIONS

Service: Compatible gases, filtered and oil free.

Wetted Materials: Body: Aluminum; Core and spring: 304 SS; Seals: NBR.

Pressure Limits: Min of 4.4 psi (0.3 bar), max of 124.7 psi (8.6 bar).

Temperature Limits: Ambient: -4 to 122°F (-20 to 50°C); Operating: -4 to 185°F (-20 to 85°C).

Power Requirements: 110 VAC, 220 VAC, or 24 VDC.

Power Consumption: 12 W, inrush: 17 VA, holding: 14.5 VA.

Enclosure Rating: NEMA 4X (IP66).

Electrical Connection: DIN connection or wire leads, 18 AWG, 22" (55 cm) long.

Process Connection: 1/8" female NPT.

Mounting Orientation: Any position.

Weight: 0.60 lb (0.27 kg).

Pneumatic Tube Length: Maximum of 9.8' (3 m).

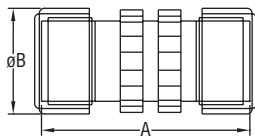
Agency Approvals: CE.

BULK HEAD CONNECTOR

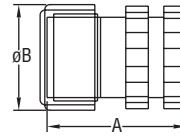
Coupling Accessories



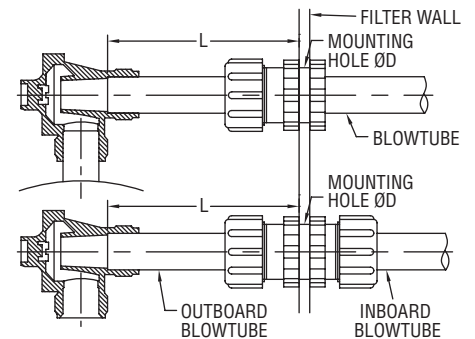
BHC35DD



BHC35D



Model	A in [mm]	B in [mm]	D in [mm]	Min L in [mm]
BHC20D	2-3/8" [60.5]	2-5/16" [58.5]	1-25/32" to 2" [45 to 51]	3-27/32" [97]
BHC20DD	3-19/32" [91]	2-5/16" [58.5]	1-25/32" to 2" [45 to 51]	3-27/32" [97]
BHC25D	2-23/32" [69]	2-3/4" [70]	2-7/32" to 2-7/16" [56 to 62]	4-21/32" [118]
BHC25DD	3-31/32" [101]	2-3/4" [70]	2-7/32" to 2-7/16" [56 to 62]	4-21/32" [118]
BHC35D	2-15/16" [75]	3-15/32" [88]	2-27/32" to 3-1/16" [72 to 78]	6-3/16" [157]
BHC35DD	4-11/32" [110]	3-15/32" [88]	2-27/32" to 3-1/16" [72 to 78]	6-3/16" [157]



The **SERIES BHC** Bulk Head Connectors allow for easy installation of blow tube through the dust collector wall and eliminate the need for welding or use of additional flanges. The fittings enable easy removal and reassembly of blow tubes for cleaning and maintenance. BHC models are available in single connection for through tube mounting or double connection for two piece tube mounting.

MODEL CHART		
Model	Size	Connections
BHC20D	3/4"	One
BHC20DD	3/4"	Two
BHC25D	1"	One
BHC25DD	1"	Two
BHC35D	1-1/2"	One
BHC35DD	1-1/2"	Two

SPECIFICATIONS

Service: Compatible gases.

Wetted Material: Body, ring nut, DIN nut: Aluminum; Washer: SS41; Gasket: NBR.

Pressure Limits: 124.7 psi (8.6 bar).

Temperature Limits: -4 to 185°F (-20 to 85°C).

ACCESSORY

Model	Description
A-237	Muffler

SOLENOID VALVE ENCLOSURE

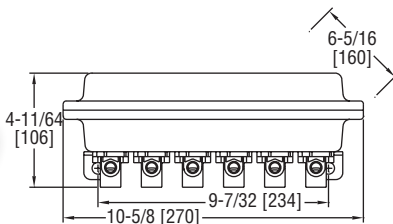
For the Series RSV Remote Solenoid Valves



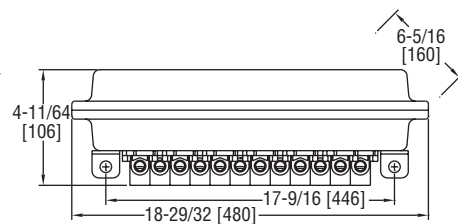
SVE06WP61



SVE06WP61



SVE06



SVE12

The **SERIES SVE** are multi-valve enclosures for the RSV pilot valve. The SVE offers a convenient weatherproof enclosure package with all solenoids pre-wired to a terminal block. Enclosures are available in 6 or 12 valve size with choice of pilot valve voltage.

SPECIFICATIONS

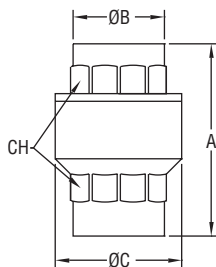
Service: (For RSV) Compatible gases, filtered and oil free.
Wetted Materials: (For RSV) Body: Aluminum; Core and spring: 304 SS; Seals: NBR.
Pressure Limits: (For RSV) Min of 4.4 psi (0.3 bar), max of 124.7 psi (8.6 bar).
Temperature Limits: Ambient: -4 to 122°F (-20 to 50°C); Operating: -4 to 185°F (-20 to 85°C).
Power Requirement: (For RSV) 110 VAC, 220 VAC, or 24 VDC.
Power Consumption: (For RSV) 12 W, inrush: 17 VA, holding: 14.5 VA.
Enclosure Rating: NEMA 4X (IP66).
Enclosure Material: Anodized aluminum with NBR gasket.
Electrical Connection: All RSV are pre-wired to a terminal strip.
Process Connection: (For RSV) 1/8" female NPT.
Conduit Connection: 3/4" female NPT.
Mounting Orientation: Any position.
Pneumatic Tube Length: Max of 9.8' (3 m).

MODEL CHART

Model	Quantity of Solenoid	Enclosure Type	Voltage
SVE06WP61	6	Weatherproof	110 VAC
SVE06WP62	6	Weatherproof	220 VAC
SVE06WP63	6	Weatherproof	24 VDC
SVE12WP121	12	Weatherproof	110 VAC
SVE12WP122	12	Weatherproof	220 VAC
SVE12WP123	12	Weatherproof	24 VDC

BRASS INLINE CHECK VALVE

Economical, Spring-Loaded for Fast Seating



NPT Size	A in [mm]	B in [mm]	C in [mm]	CH in [mm]
1/4"	1-47/64 [44]	51/64 [20]	1-1/16 [27]	51/64 [20]
3/8"	1-47/64 [44]	51/64 [20]	1-1/16 [27]	51/64 [20]
1/2"	2-21/64 [59]	63/64 [25]	1-23/64 [34.5]	63/64 [25]
3/4"	2-9/16 [65]	1-13/64 [30.5]	1-21/32 [42]	1-7/32 [31]
1"	2-49/64 [70]	1-31/64 [37.5]	1-15/16 [49]	1-1/2 [38]
1-1/4"	2-15/16 [74.5]	1-7/8 [47.5]	2-13/32 [61]	1-57/64 [48]
1-1/2"	3-11/64 [80.5]	2-7/64 [53.5]	2-7/8 [73]	2-1/8 [54]
2"	3-3/8 [85.5]	2-11/16 [68]	3-15/32 [88]	2-41/64 [67]
2-1/2"	4-3/8 [111]	3-15/64 [82]	4-25/64 [111.5]	3-17/64 [83]
3"	4-55/64 [123.5]	3-27/32 [97.5]	5-15/64 [133]	3-55/64 [98]
4"	5-13/32 [137.5]	5 [127]	6-27/64 [163]	5-3/64 [128]

The **SERIES BICV** Brass Inline Check Valves are ideal for use with a broad array of service mediums including compatible oils, gases, fuels and hydrocarbons. They incorporate a soft seat for a bubble-tight shutoff and are spring-loaded for rapid reseating at high and low temperatures. The Series BICV was designed with a smooth flow profile to minimize head loss and accumulation of debris. The low 0.5 psi (0.04 bar) cracking pressure and patented guided-disc technology ensure reliability at low and high service pressure.

SPECIFICATIONS

Service: Liquids and gases compatible with wetted material.
Body: 1-piece.
Line Size: See model chart.
Process Connection: Female NPT.
Pressure Limits: 1/4" to 2": 400 psi (27.6 bar) WOG; 2-1/2" to 4": 175 psi (12.1 bar) WOG; All sizes: 125 psi (8.6 bar) SWP.
Wetted Materials: Valve body: Brass (CW617N); Obstructor: Polyetherimide; Seat: 1/4": NBR rubber, 3/8" to 4": Fluoroelastomer; Spring: 302 SS.
Temperature Limits: 10 to 352°F (-12 to 178°C).

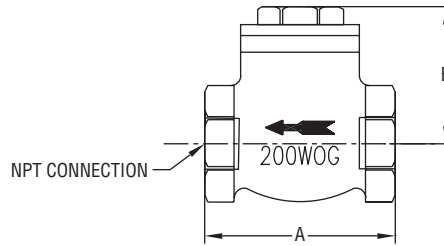
MODEL CHART

Model	Connection Size	Cv Value	Weight
BICV-0N00	1/4"	4.55	3.5 oz (100 g)
BICV-0F01	3/8"	4.55	5.9 oz (168 g)
BICV-0F02	1/2"	6.0	5.1 oz (145 g)
BICV-0F03	3/4"	11.0	7.8 oz (222 g)
BICV-0F04	1"	16.9	10.9 oz (308 g)
BICV-0F05	1-1/4"	27.4	1.1 lb (.051 kg)
BICV-0F06	1-1/2"	39.1	1.6 lb (0.73 kg)
BICV-0F07	2"	60.7	2.3 lb (1.03 kg)
BICV-0F08	2-1/2"	98.4	4.8 lb (2.19 kg)
BICV-0F09	3"	158.0	6.7 lb (3.04 kg)
BICV-0F10	4"	225.4	12.4 lb (5.64 kg)



BRASS FLAP CHECK VALVE

Economical, Compact, Backflow Protection



NPT Size	A in [mm]	B in [mm]
1/2"	1-59/64 [49.00]	1-27/64 [36.00]
3/4"	2-1/4 [57.00]	1-17/32 [39.00]
1"	2-43/64 [68.00]	1-49/64 [45.00]
1-1/4"	2-63/64 [76.00]	2-3/32 [53.00]
1-1/2"	3-25/64 [86.00]	2-11/32 [59.50]
2"	3-15/16 [100.00]	2-5/8 [66.50]
2-1/2"	4-9/64 [105.00]	3-1/64 [76.50]
3"	4-7/8 [124.00]	3-13/64 [81.50]

SERIES BFC Brass Flap Check Valve is an economical check valve for both commercial and industrial application. Quality brass body and stem construction allow for long service life and reliability. Ideal where backflow could potentially cause damage to equipment by yielding reverse flow. Pressure in the line moves the flap off of the seat, opening the valve. When the inlet flow comes to a halt, back pressure moves the flap back onto the seat, stopping the flow. Designed to provide excellent flow characteristics with minimal turbulence and pressure loss while maintaining its ability to prevent backflow.

SPECIFICATIONS

Service: Gases, steam and liquids compatible with wetted materials.

End Connections: 1/2" to 3" NPT.

Maximum Pressure: 200 psi (13.8 bar); 150 psi steam (10.3 bar).

Temperature Limit: -20 to 180°F (-28.9 to 82°C).

Wetted Materials: Body and disc: Brass.

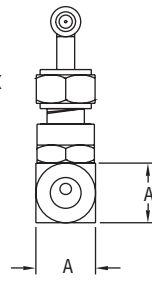
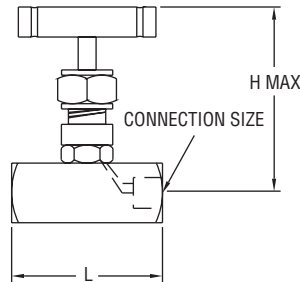
Other Materials: Cap and nut: Brass.

MODEL CHART

Model	Pipe Size	Model	Pipe Size
BFC-00	1/2"	BFC-04	1-1/2"
BFC-01	3/4"	BFC-05	2"
BFC-02	1"	BFC-06	2-1/2"
BFC-03	1-1/4"	BFC-07	3"

NEEDLE VALVE 1-VALVE BLOCK MANIFOLD

For Use with Gas and Liquids, Pressures Up to 6000 psi



Connection	A in [mm]	L in [mm]	H in [mm]
1/8" F x F	-	1-31/32 [50.01]	-
1/8" M x F	7/8 [22.3]	2-11/64 [55.17]	2-3/8 [60.33]
1/4" F x F	-	2-3/8 [60.33]	-
1/4" M x F	63/64 [25]	2-9/16 [65.09]	2-9/16 [65.09]
3/8" F x F	-	2-3/8 [60.33]	-
3/8" M x F	63/64 [25]	2-9/16 [65.09]	2-9/16 [65.09]
1/2" F x F	-	2-9/16 [65.09]	-
1/2" M x F	1-17/64 [32.15]	2-49/64 [70.25]	2-49/64 [70.25]
3/4" F x F	-	2-61/64 [59.13]	-
3/4" M x F	1-1/2 [38.10]	3-5/32 [80.17]	3-23/64 [85/33]
1" F x F	-	3-23/64 [85.33]	-
1" M x F	1-25/32 [45.24]	4-7/64 [104.38]	3-3/4 [95.25]

SERIES HNV Block Manifold is a barstock style needle valve that is designed for isolating instruments from liquids or gases. The valve series features fine threading and large seat area to ensure tight shutoff. Wetted materials are 316 SS and PTFE making these ideal for use with corrosives. The HNV has been tested to assure vibration and thermal stability.

Body includes a lock pin to prevent accidental bonnet disengagement. The HNV is available in male x female and female x female connections from 1/8" to 1". Tee handle is constructed of 316 SS and allows low torque operation.

SPECIFICATIONS

Service: Gases and liquids compatible with wetted materials.

End Connections: NPT.

Wetted Materials: 316 SS and PTFE packing.

Pressure Limits: 6000 psi (431 bar) @ 200°F (93°C). 4000 psi (276 bar) @ 464°F (240°C).

Temperature Limits: 464°F (240°C).

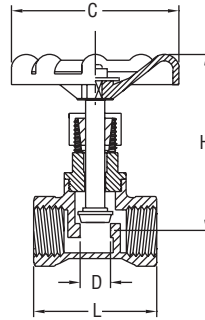
Other Materials: Handle: 316 SS.

MODEL CHART

Pipe Size	Female x Female Model	Female x Male Model
1/8"	HNV-SSS31B	HNV-SSS21B
1/4"	HNV-SSS32B	HNV-SSS22B
3/8"	HNV-SSS33B	HNV-SSS23B
1/2"	HNV-SSS34B	HNV-SSS24B
3/4"	HNV-SSS35B	HNV-SSS25B
1"	HNV-SSS36B	HNV-SSS26B

HAND OPERATED GLOBE VALVE

Low Cost, High Pressure Rating



Pipe Size	D in [mm]	L in [mm]	H (Open) in [mm]	C in [mm]
1/4"	13/32 [10]	2-3/64 [52]	4-1/64 [102]	2-3/8 [60]
3/8"	15/32 [12]	2-3/64 [52]	4-1/64 [102]	2-3/8 [60]
1/2"	19/32 [15]	2-3/64 [52]	4-1/64 [102]	2-3/8 [60]
3/4"	25/32 [20]	2-3/8 [60]	4-7/16 [113]	2-3/4 [70]
1"	63/64 [25]	2-53/64 [72]	4-27/32 [123]	2-3/4 [70]
1-1/4"	1-1/4 [32]	3-5/32 [80]	5-53/64 [148]	3-5/32 [80]
1-1/2"	1-37/64 [40]	3-35/64 [90]	6-19/64 [160]	3-17/32 [90]
2"	1-31/32 [50]	4-11/64 [106]	7-3/32 [180]	3-15/16 [100]

The **SERIES HGV** Hand Operated Globe Valves are an economical and functional alternative to large actuator/control valve packages. Metal-to-metal seating ensures excellent flow control and shut-off service. The body and bonnet are each constructed of CF8M (316) SS for superb corrosion resistance and chemical compatibility.

FEATURES/BENEFITS

- Threaded ends conform to ANSI B 2.1, BS 21, DIN 259/2999, ISO 228
- SS inside screw, screwed bonnet, swivel disc integral seat, rising stem and hand wheel

MODEL CHART					
Model	Size	Cv Value	Model	Size	Cv Value
HGV00	1/4"	0.6	HGV04	1"	10.69
HGV01	3/8"	1.38	HGV05	1-1/4"	17.1
HGV02	1/2"	2.46	HGV06	1-1/2"	25.2
HGV03	3/4"	5.76	HGV07	2"	47.1

SPECIFICATIONS

Service: Compatible liquids and gases.
End Connections: Female NPT.
Pressure Limits: 725 psi (50.0 bar) from -20 to 200°F (-28.9 to 93.3°C); 500 psi (34.5 bar) at 300°F (148.9°C); 450 psi (31.0 bar) at 325°F (162.8°C); 100 psi (6.9 bar) at 350°F (176.7°C).
Wetted Materials: Body, bonnet, packing nut: CF8M (316) SS. disc, stem, retainer ring; Gland: 316 SS; Packing: PTFE.
Temperature Limits: -20 to 356°F (-28.9 to 180°C).
Other Materials: Hand wheel: Cast iron; Plate: Aluminum; Wheel nut: 316 SS.

NEEDLE VALVE

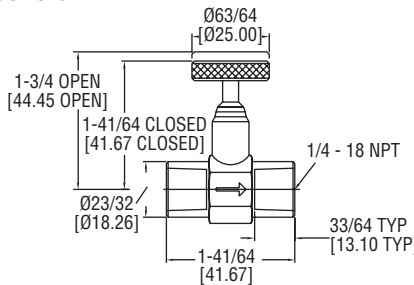
Economical, Pressures Up to 2000 psi, Blowout-Proof Stem



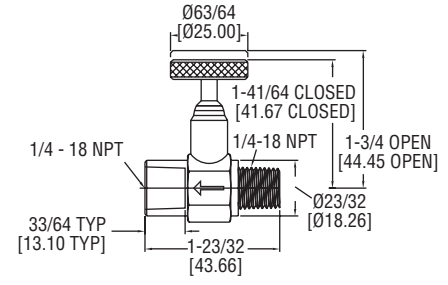
NVII-1B



NVII-2B

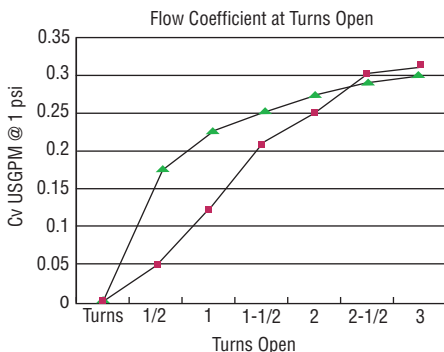


NVII-1B



NVII-2B

The **MODEL NVII** Needle Valve provides easy flow regulation in all applications, including shut off and throttling for pressure gages and instruments. With a one piece, hot forged brass body construction, years of maintenance-free service can be expected. The Model NVII, with its tamper-proof design and blowout-proof stem, provides excellent performance and reliability.



SPECIFICATIONS

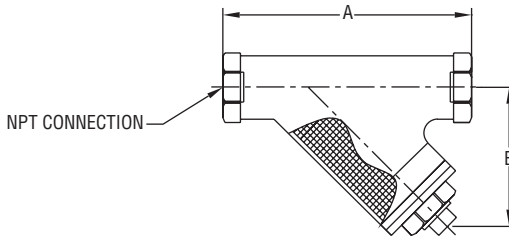
Service: Gases and liquids compatible with wetted materials. Not rated for steam use.
End Connection Size: 1/4" NPT.
Pressure Limit: 2000 psi (138 bar) (CWP).
Wetted Materials: Valve body: Brass (CW617N); Retainer, handwheel: Brass (CW614N); O-ring: Fluoroelastomer.
Temperature Limits: -40 to 350°F (-40 to 176.7°C). (Warning: freezing of the fluid in the installation may severely damage the valve.)
Flow Coefficient: 0.31.
Weight: 0.22 lb.

MODEL CHART	
Model	Description
NVII-1B	Needle valve (female x female)
NVII-2B	Needle valve (male x female)



BRASS Y-STRAINER

Cost Effective, Excellent Filtration, High Flow



NPT Size	A in [mm]	B in [mm]
1/4"	1-31/32 [50.04]	2-11/16 [68.07]
3/8"	1-31/32 [50.04]	2-11/16 [68.07]
1/2"	1-31/32 [50.04]	2-11/16 [68.07]
3/4"	2-23/64 [59.94]	3-59/64 [99.57]
1"	2-41/64 [67.06]	4-17/32 [115.06]
1-1/4"	3-3/16 [81.03]	5-25/64 [136.91]
1-1/2"	3-7/16 [87.12]	6-17/64 [159.00]
2"	4-19/64 [108.97]	7-31/64 [189.99]

The **SERIES BYS** Brass Y-Strainer is a cost effective option for use in any type of industrial application. Versatile Y configuration and availability in a wide range of sizes allow for many different uses. Body, cap, and plug are made from a high quality brass to ensure reliability. Seal is constructed of PTFE to ensure long service life. Stainless steel strainer provides excellent filtration to help prevent damage to valves, meters, etc. from rust and dirt, without sacrificing high flow characteristics.

SPECIFICATIONS

Service: Gases, steam and liquids compatible with wetted materials.

End Connections: Female NPT.

Pressure Limits: See model chart.

Temperature Limits: -10 to 250°F (-23 to 121°C).

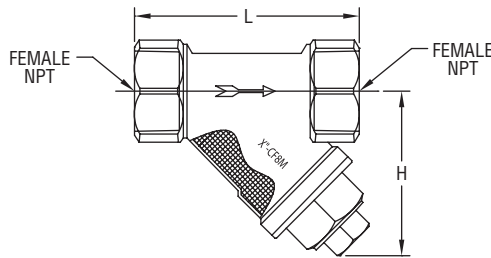
Wetted Materials: Valve body: Cast brass; Cap and plug: Brass; Screen: SS; Seal: PTFE.

MODEL CHART

Model	Pipe Size	Max. Pressure	Model	Pipe Size	Max. Pressure
BYS-00	1/4"	400 psi (27.6 bar)	BYS-04	1"	300 psi (20.7 bar)
BYS-01	3/8"	400 psi (27.6 bar)	BYS-05	1-1/4"	300 psi (20.7 bar)
BYS-02	1/2"	400 psi (27.6 bar)	BYS-06	1-1/2"	300 psi (20.7 bar)
BYS-03	3/4"	400 psi (27.6 bar)	BYS-07	2"	300 psi (20.7 bar)

STAINLESS STEEL Y-STRAINER

Wide Chemical Compatibility, Excellent Filtration, High Flow



NPT Size	L in [mm]	H in [mm]	Weight lb [kg]
1/4"	2-33/64 [64.00]	1-27/32 [46.99]	0.53 [0.24]
3/8"	2-33/64 [64.00]	1-27/32 [46.99]	0.53 [0.24]
1/2"	2-33/64 [64.00]	1-27/32 [46.99]	0.53 [0.24]
3/4"	3-1/16 [78.00]	2-15/64 [56.90]	0.91 [0.41]
1"	3-35/64 [90.00]	2-41/64 [67.06]	1.61 [0.73]
1-1/4"	4-11/64 [106.00]	2-53/64 [71.88]	2.11 [0.96]
1-1/2"	4-11/16 [119.00]	3-5/32 [80.01]	3.00 [1.36]
2"	5-33/64 [140.00]	3-21/32 [92.96]	4.35 [1.97]

The **SERIES SYS** Stainless Steel Y-Strainer is a cost effective option for use in any type of industrial application, especially in applications where corrosive medias are used. Versatile Y configuration, wide range of sizes, and durable stainless steel construction allow for many different applications. Body, cap, and plug are made from stainless steel to ensure reliability in harsh conditions. Seal is constructed of PTFE to ensure long service life. Stainless steel strainer provides excellent filtration to help prevent damage to valves, meters, etc. from rust and dirt, without sacrificing high flow characteristics.

SPECIFICATIONS

Service: Gases, steam and liquids compatible with wetted materials.

End Connections: Female NPT.

Pressure Limits: 800 psi WOG.

Temperature Limits: -10 to 250°F (-23 to 121°C).

Screen Size: 300 microns.

Wetted Materials: Strainer body and cap: Cast 316 SS (CF8M); Plug: 316 SS;

Screen: 316 SS; Seal: PTFE.

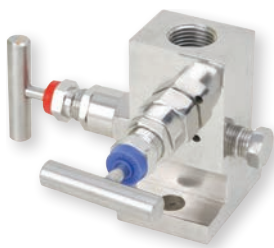
Weight: See size chart.

MODEL CHART

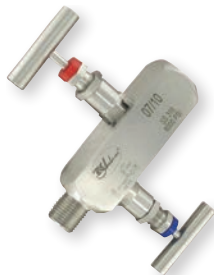
Model	Pipe Size	Model	Pipe Size
SYS-00	1/4"	SYS-04	1"
SYS-01	3/8"	SYS-05	1-1/4"
SYS-02	1/2"	SYS-06	1-1/2"
SYS-03	3/4"	SYS-07	2"

2-VALVE BLOCK MANIFOLD

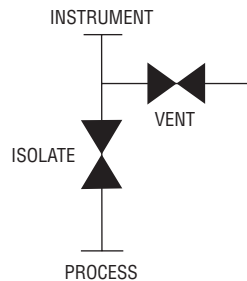
Stainless Steel Body, NPT Connections



BBV-0F



BBV-0N



The **SERIES BBV-0** 2-Valve Block Manifold is perfect for use over a broad range of industrial applications including oil refineries, nuclear power stations, petrochemical processing, and more. The Series BBV-0 is forged from 316 stainless steel bar stock and designed to withstand repeated open and close operations. Suited to control oil, water, toxic fluids, chemicals, air, and steam; the 2-valve block manifold has (1) isolate and (1) vent valves. Each valve stem is precision machined with hard seats to reduce operating torque.

APPLICATION

- Industrial gage or transmitter isolation

SPECIFICATIONS

Service: Compatible liquids, gases, or steam.
End Connections: Process connection: 1/2" female NPT; Instrument connection: No flange: 1/2" male NPT; Flange: 1/2" DIN 19213 flange; Vent/test: 1/4" female NPT.
Wetted Materials: Body, stem, valve assembly: 316 SS; Stem packing: PTFE.
Pressure Limit: 6000 psi (400 bar).
Temperature Limit: 464°F (240°C).
Other Materials: Handle: 304 SS.

MODEL CHART

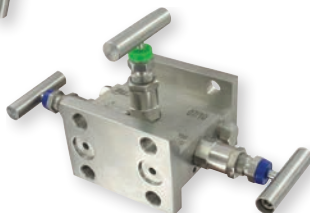
Model	Description
BBV-0F	Flanged 2-valve block manifold
BBV-0N	2-valve block manifold

3-VALVE BLOCK MANIFOLD

Stainless Steel Body, NPT Connections



BBV-1M



BBV-1D



BBV-1F

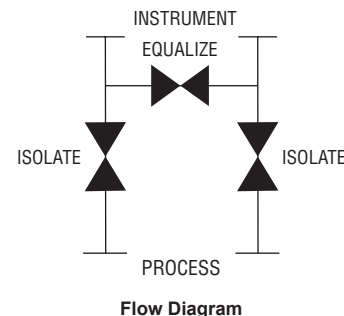


BBV-1

*Please see website for dimensional drawing



BBV-1B



The **SERIES BBV-1** Block Manifold can be used over a broad range of industrial applications including oil refineries, nuclear power stations, petrochemical processing, and more. The Series BBV-1 body is forged from 316 stainless steel bar stock and designed to withstand repeated open and close operations. Suited to control oil, water, toxic fluids, chemicals, air, and steam.

FEATURES/BENEFITS

- High pressure shut-off
- All stainless steel and PTFE wetted materials
- Precision machined hard seats to reduce operating torque

APPLICATION

- Industrial gage or transmitter isolation

SPECIFICATIONS

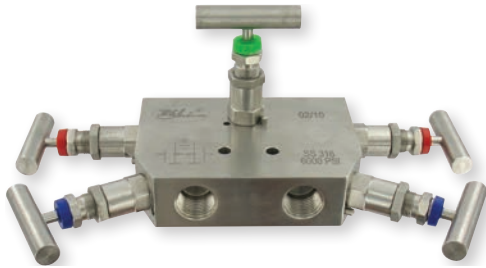
Service: Compatible liquids, gases, or steam.
End Connections: BBV-1B: 1/4" NPT x 1/4" NPT; BBV-1: 1/2" NPT x 1/2" NPT; BBV-1F: 1/2" NPT x DIN 19213 flange; BBV-1M: 1/2" NPT x DIN 19213 flange; BBV-1D: DIN 19213 flange x DIN 19213 flange.
Wetted Materials: Body, stem, valve assembly: 316 SS; Stem packing: PTFE.
Pressure Limit: 6000 psi (400 bar).
Temperature Limit: 464°F (240°C).
Other Material: Handle: 304 SS.

MODEL CHART

Model	Description
BBV-1B	Mini 3-valve block manifold
BBV-1	3-valve block manifold
BBV-1F	Flanged 3-valve block manifold
BBV-1M	Multiplanar 3-valve manifold
BBV-1D	Double flanged 3-valve block manifold

5-VALVE BLOCK AND BLEED MANIFOLD

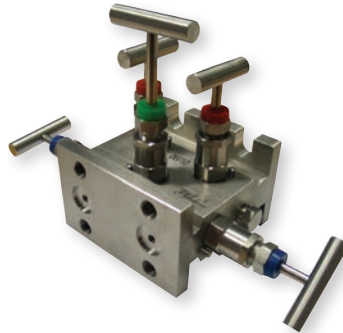
Stainless Steel Body, NPT Connections



BBV-21



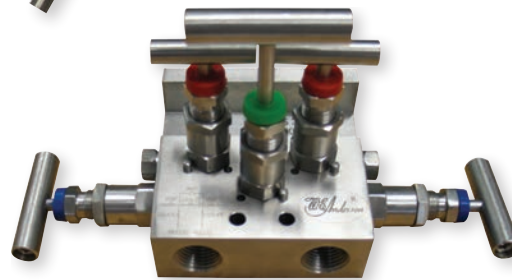
BBV-21F



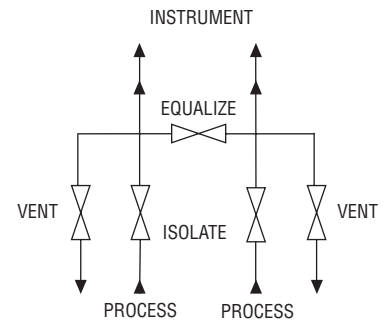
BBV-23F



BBV-22



BBV-22F



Flow Diagram

SERIES BBV-2 Block and Bleed Manifold is ideal for use over a broad range of industrial applications including oil refineries, nuclear power stations, petrochemical processing, and more. The Series BBV-2 body is forged from 316 stainless steel bar stock and designed to withstand repeated open and close operations. Suited to control oil, water, toxic fluids, chemicals, air, and steam; the 5-Valve Block and Bleed Manifold has (2) isolate, (1) equalizing, and (2) vent valves. Each valve stem is precision machined with hard seats to reduce operating torque.

Flanged models are designed to mount to an industrial differential pressure transmitter. The BBV-21F and BBV-22F come with four 7/16-20 UNF mounting bolts and two PTFE gaskets. The BBV-23F comes with eight 7/16-20 UNF mounting bolts and two PTFE gaskets.

FEATURES/BENEFITS

- High pressure shut-off
- All stainless steel and PTFE wetted materials
- Precision machined hard seats to reduce operating torque

APPLICATION

- Industrial gage or transmitter isolation

SPECIFICATIONS

Service: Compatible liquids, gases, or steam.

End Connections: Process connection: No flange: 1/2" female NPT; Flange: DIN 19213 flange; Instrument connection: No flange: 1/2" female NPT; Flange: DIN 19213 flange; Vent/test: 1/4" female NPT.

Wetted Materials: Body, stem, valve assembly: 316 SS; Stem packing: PTFE.

Pressure Limit: 6000 psi (400 bar).

Temperature Limit: 464°F (240°C).

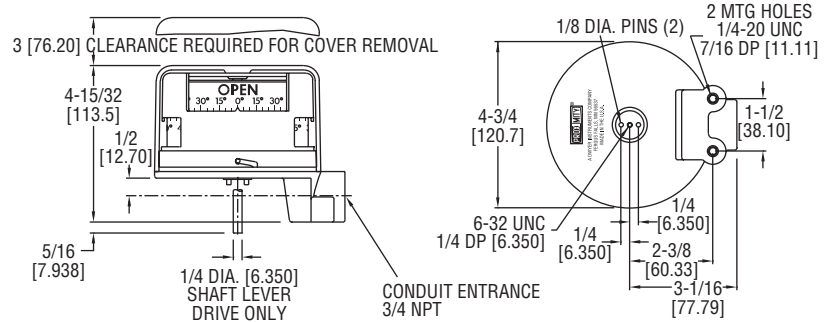
Other Materials: Handle: 304 SS.

MODEL CHART

Model	Description
BBV-21	5-valve manifold with side mounted vent valves
BBV-21F	Flanged 5-valve manifold with side mounted vent valves
BBV-22	5-valve manifold with top mounted vent valves
BBV-22F	Flanged 5-valve manifold with top mounted vent valves
BBV-23F	Double flanged 5-valve manifold with top mounted vent valves

QUICK-VIEW® VALVE POSITION INDICATOR/SWITCH

Ultra-Low Cost, Compact, Backlit, Corrosion Resistant



Scan here to watch product video

The **SERIES QV** Quick-View® Rotary Valve Position Indicators, now UL and CSA rated, are produced by Proximity with up to four individual mechanical or proximity switches. The Quick-View® indicator is also available with optional backlighting.

FEATURES/BENEFITS

- The lowest cost position indication
- Extremely compact design
- Easily interchangeable with key competition
- Backlighting option available for maximum visibility
- Quick-View® Indicator and mounting kits, including NAMUR kits, are stocked for fast delivery
- Flame retardant
- UV protection
- Hazardous location option

APPLICATIONS

- Rotary or linear valve indication
- Industrial damper position monitoring

SPECIFICATIONS

Minimum Rotation Travel (Switches only): 5°.
Maximum Rotation Travel (Switches only): 360°.
Temperature Limits: -40 to 180°F (-40 to 82°C).
Switch Type: SPDT.
Electrical SPDT Switch Ratings: QV-X1XXXX: 10 A @ 125/250 VAC; 0.5 A 125 VDC; 10 A @ 24 VDC mech. switch; QV-X2XXXX: 1 A @ 125 VAC; 1A @ 24 VDC mech. switch; QV-X3XXXX: 2 A @ 125 VAC; 2A @ 30 VDC prox. switch; QV-X4XXXX: 5-25 VDC namur sensor; QV-X5XXXX: 10-30 VDC inductive sensor; QV-X6XXXX: 10 A @ 125/250 VAC mech. switch.
Lighting Supply Voltage: 24-28 VDC.
Enclosure Material: Polycarbonate housing and conduit.
Conduit Entrance: One 3/4" NPT.
Enclosure Rating: NEMA 4, 4X (IP66, IP56). Optional explosion-proof, rated: Class I, Groups A, B, C, D; Class II, Groups F & G; Div. 2.
Maximum Altitude: 2000 m (6560 ft).
Agency Approvals: CE, CSA, cULus.

MODEL CHART	
Model	Backlighting
QV-210101	No
QV-210111	Yes

Note: Stocked position indicators include two 10 amp SPDT mechanical snap switches, are direct drive type and include the standard quarter-turn OPEN/CLOSED visual indicator. Standard units are CSA & UL approved but not for hazardous locations. Specify "EX" for hazardous location option. Consult factory for optional VI colors



Model QV mounted to an actuator

MODEL CHART							
Example	QV	-2	1	01	0	1	QV-210101
Series	QV						Quick-View® valve position indicator/switch
Number of Switches		0 1 2 3 4					None* One* Two* Three* Four*
Switch Type							No switches* 10A mechanical snap switch 1A mechanical gold contacts 2A Proximity reed switch* 5-25 VDC namur sensor 10-30 VDC inductive sensor 10A mechanical snap switch
Driving Style				01 02 03			Direct* Lever* Namur*
Lighting Option					0 1		None* 24 to 28 VDC bright white LED's
Visual Indication						0 1 2	None Standard (open closed)* Upside down (open closed)*
Additional Options						EX	Class I, Div. II, Groups A, B, C & D; Class II, Div. II Groups F & G.

*EX, Explosion-proof option available.
Note: The 1st, 2nd, 3rd and 6th codes can not all be zero.

Position Indicators/
Switches/Transmitters

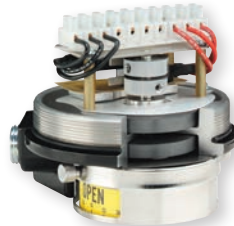
POSITION INDICATORS/SWITCHES/TRANSMITTERS



Mark 1
Polyester Coated Aluminum
(Environmentally sealed for
corrosive areas)



Mark 1
Stainless Steel
(Environmentally sealed for
corrosive areas)



Mark 1
Magnetic Coupling
Cutaway Model 12VDOJ2



Mark 3
Multi Turn



Mark 4
Thru-Shaft Cutaway
Model 42RDOJ2



Scan here
to watch
product video

The Proximity™ **MARK SERIES** is a line of position indicators with a selection of various output options. Three model styles make up the Mark series to cover almost any application. Standard models in the Mark Series have visual position indicators and are weatherproof, explosion-proof, and submersible. A large variety of outputs are available to fit specific applications. There is a choice of 1 to 6 switch outputs of 16 varieties including inductive sensors, high temperature switches, gold contact switches, hermetically sealed switches, and high current switches. Besides the switch outputs the Series offers potentiometer outputs, transmitters and HART Communications. The units are purchased for either direct drive applications, such as rotary valves, or lever drive applications, such as linear valves. Adjustable visual indicator is standard on direct drive units that displays OPEN / CLOSED status and degrees.

A magnetic drive that completely seals the switch compartment from the atmosphere for maximum leak protection is utilized in the Mark 1. The Mark 3 uses the same magnetic drive of the Mark 1, but it can be used for multi-turn applications with 1 to 25 revolutions, such as gate valves. A through shaft drive is incorporated in the Mark 4 making the unit a lower cost alternative to the Mark 1 for applications that are not as demanding.

MARK 1 FEATURES/BENEFITS

- Features a magnetic coupling that isolates the switch compartment, completely sealing the unit from the surrounding atmosphere for maximum hazard and leak protection
- EZ set cams on switch models provide simple set point adjustment
- Flexible design allows multiple switches and transmitter options
- Ideal for corrosive environments

MARK 3 FEATURES/BENEFITS

- Features a magnetic coupling that isolates the switch compartment, completely sealing the unit from the surrounding atmosphere for maximum hazard and leak protection
- Multi-Turn models that can provide switch signals between 1 and 25 revolutions, and transmitter models for up to 10 revolutions without gear reduction
- Flexible design allows multiple switches and transmitter options
- Ideal for corrosive environments

MARK 4 FEATURES/BENEFITS

- Thru-Shaft design that features a 1" bushing for long life and O-rings to seal the switch compartment for hazard, corrosion, and leak protection
- EZ set cams on switch models provide simple set point adjustment
- Flexible design allows multiple switches and transmitter options
- A lower cost alternative to the Mark 1 Series for less demanding applications

POSITION INDICATORS/SWITCHES/TRANSMITTERS

MODEL CHART							
Construction	1				Mark 1, magnetic coupling	Available Options**	
	3				Mark 3, multi-turn		
	4				Mark 4, thru-shaft		
Output Type	1				1 switch	A -- A	
	2				2 switches	A A A	
	3				Potentiometer, 1 KΩ. Available with switches*	A A A	
	32				Potentiometer, 2 KΩ. Available with switches*	A A A	
	35				Potentiometer, 5 KΩ. Available with switches*	A A A	
	310				Potentiometer, 10 KΩ. Available with switches*	A A A	
	320				Potentiometer, 20 KΩ. Available with switches*	A A A	
	4				4 Switches	A A A	
	5				Transmitter, 4 to 20 mA. Available with switches*	A A A	
	6				6 switches. Available with switch types B, C, I, R, V, W.	A A A	
Switch Type & Rating		A			SPDT snap, rated: 15 A @ 125/250/480 VAC (~); 1/8 hp @ 125 VAC (~), 1/4 hp @ 250 VAC (~), 1/2 A @ 125 VDC (---), 1/4 A @ 250 VDC (---). Inductive sensor. 10 to 30 VDC (---). Load: 0.1 A.	A -- A	
		B			SPDT high temperature snap, 350°F (176°C) for 600 hours, rated: 15.1 A @ 125/250/277 VAC (~).	A A A	
		C			DPDT snap, Rated: 10 A @ 125/250 VAC (~), 0.3 A @ 125 VDC (---), 0.15 A @ 250 VDC (---).	A A A	
		D			SPDT gold contact snap, rated: 1 A @ 125 VAC (~).	A A A	
		G			SPDT hermetically sealed snap, rated: 1 A @ 125 VAC (---).	A -- A	
		H			NAMUR inductive sensor. 15 mA max @ 5-25 VDC (~).	A -- A	
		I			SPDT magnetic blow-out, rated: 10 A @ 125 VAC (~)/VDC (---), 1/4 hp @ 125 VAC (~)/VDC (---).	A A A	
		M			No switches	A A A	
		O			SPDT hermetically sealed reed, rated: 2 A @ 125 VAC (~), 2 A @ 24 VDC (---).	A -- A	
		R			SPDT snap, rated: 4 A @ 125/250 VAC (~).	A -- A	
Driving Method			D		Direct drive (yoke) with SS visual indicator	A A A	
			L		Lever drive (shaft), No visual indicator	A A A	
	Enclosure			0		Aluminum, painted black	A A A
				1		Aluminum, painted white epoxy with SS trim	A A A
				6		Cast 316 SS	A A A
	Options			J1		Junction package with one 1/2" NPT female conduit connection and terminal strip.	A A A
			J2		Junction package with two 1/2" NPT female conduit connection and terminal strip.	A A A	
			SV1		1 attached solenoid valve (must be ordered with J1 option).	A -- A	
			SV2		2 attached solenoid valves (must be ordered with J2 option).	A -- A	
			MT		Metric threaded conduit connection, M25 (M20 for optional J1 and J2 connections).	A A A	
			B		Directive 94/9/EC, KEMA 03 ATEX 2391, CE Ex II 2 G Ex d IIC T6 (-25/-40/-50°C†† ≤ Tamb ≤ 70°C) (T5 (-25/-40/-50°C†† ≤ Tamb ≤ 80°C) depending on output switch type selected).	A A A	
			IS		Directive 94/9/EC, KEMA 03 ATEX 1392 x, CE Ex II 1 G Ex ia IIC T4.	A A A	
			IE		IECEX DEK II.0056X Ex d IIC T6 Gb for -25°C/-40°C/-50°C ≤ Tamb ≤ 70°C and T5 for -25°C/-40°C/-50°C ≤ Tamb ≤ 80°C.	A A A	
			II		IECEX DEK II.0061X II Ex ia IIC T4 Ga. Compliant per EN 60079-0:2007 EN 60079-11:2006 and EN 60079-26:2006.	A A A	
			IM		Certificate: NCC 13.02338 X; Marking: Ex ia IIC T4 Ga	A A A	
		EM		Certificate: NCC 13.02339 X; Marking: Ex d IIC T6 Gb or Ex d IIC T5 Gb	A A A		

*Mark 1 and 4 potentiometer and transmitter outputs will have no switches when ordered with switch type 0; 2 switches if ordered with switch types B, C, I, R, V, or W; and 4 switches if ordered with switch type S. Mark 3 potentiometer and transmitter outputs will have no switches when ordered with switch type 0, and 2 switches if ordered with switch types A, G, M or T.

***"A" signifies available with corresponding construction style.

††Minimum temperature depends on output and switch type selected.

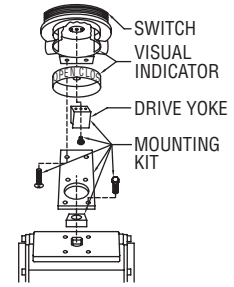
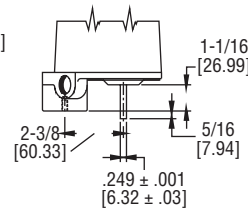
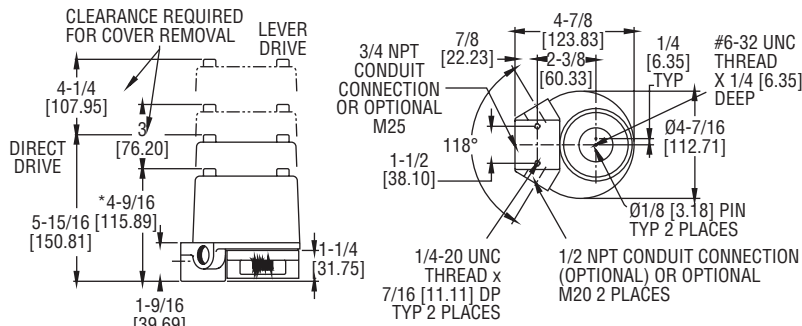
Position Indicators/
Switches/Transmitters



Mark Series
mounted to an actuator

MODEL CHART					
Model	Function	Design	Model	Function	Design
12AD0	2 SPDT	Magnetic coupling	42AD0	2 SPDT	Thru-shaft drive
12AL0	2 SPDT (lever drive)	Magnetic coupling	44AD0	4 SPDT	Thru-shaft drive
14AD0	4 SPDT	Magnetic coupling	45VD0	2 SPDT & 4-20 mA position transmitter	Thru-shaft drive
15VD0	2 SPDT & 4-20 mA position transmitter	Magnetic coupling	42VD0-J1	2 SPDT	Thru-shaft drive
12AD1	2 SPDT	Magnetic coupling	44VD0-J1	4 SPDT	Thru-shaft drive
14AD1	4 SPDT	Magnetic coupling			
12VD0-J1	2 SPDT	Magnetic coupling			
14VD0-J1	4 SPDT	Magnetic coupling			

POSITION INDICATORS/SWITCHES/TRANSMITTERS



For Models 11, 12, 41 & 42

Mounting kits with drive yoke (see drawing), or slotted lever arm, bracket, fasteners and other zinc plated or stainless steel hardware fit over 2000 popular valves and actuators. A high strength spring tempered stainless steel drive yoke/coupling is tailored to fit securely to a specific valve or actuator stem. There is no slippage or binding. No special alignment fixtures are required due to switch offset design and yoke to stem engagement that makes installation a "snap". Each kit is specially designed for a particular valve or actuator, making field mounting simple with standard tools. Please specify make and model of valve or actuator on order. Mounting kits can be used interchangeably with all models since external mounting features are identical. Rotary valves utilize direct drive couplings and a slotted lever drive is used with linear valves. Lever drives convert linear motion to rotary. Stainless steel visual indicators are standard for direct drive, automated quarter-turn valve applications.

SPECIFICATIONS

Potentiometer (Mark 1, 3 and 4)

Accuracy: $\pm 0.5\%$ of full span. Optional $\pm 0.25\%$ of full span.

Temperature Limits: -40 to 176°F (-40 to 80°C). [ATEX flameproof, -B suffix, rated -40 to 80°C (-40 to 176°F) for switch type A, G, M, O, R, S, T, V, or W; -25 to 80°C (-13 to 176°F) for switch type B, D, or I; ATEX intrinsically safe, -IS suffix, rated -25 to 40°C (-13 to 104°F) for switch type I; -40 to 40°C (-40 to 104°F) for switch type O, R, S, V, or W].

Power Rating: 1.5 watt maximum.

Output Signal: 1000 ohm standard. Optional 2000, 5000, 10000, or 20000 ohms.

Zero and Span Adjustments: Span trim pot with 2000 ohm adjustment. No zero adjustment.

Rotational Travel: Mark 1 and 4: Minimum 0°, Maximum 340°; Mark 3: 0 to 10 revolutions.

Transmitter (Mark 1, 3 and 4)

Accuracy: $\pm 0.5\%$ of full span. Optional $\pm 0.25\%$ of full span.

Temperature Limits: -40 to 176°F (-40 to 80°C). [ATEX flameproof, -B suffix, rated -40 to 80°C (-40 to 176°F) for switch type A, G, M, O, R, S, T, V, or W; -25 to 80°C (-13 to 176°F) for switch type B, D, or I; ATEX intrinsically safe, -IS suffix, rated -25 to 40°C (-13 to 104°F) for switch type I, -40 to 40°C (-40 to 104°F) for switch types O, R, S, V, or W].

Power Requirements: 5 to 30 VDC.

Current Consumption: 50 mA.

Output Signal: 4 to 20 mA.

Zero and Span Adjustments: Trim pots for adjusting both. Mark 1 and 4: Span is adjustable from 50 to 300°; Mark 3: Span is adjustable from 1.5 to 8.5 revolutions.

Conduit Connection: 3/4" female NPT standard. Optional one or two 1/2" female NPT. M25 and M20 optional.

Rotational Travel: Mark 1 and 4: Minimum 50°, Maximum 300°; Mark 3: Minimum 1.5 revolutions, Maximum 8.5 revolutions.

Transmitter w/ HART® (Mark 1, 3 and 4)

Accuracy: $\pm 0.25\%$ of full span.

Temperature Limits: -40 to 176°F (-40 to 80°C). [ATEX flameproof, -B suffix, rated -40 to 80°C (-40 to 176°F) for switch type A, G, M, O, R, S, T, V or W; -25 to 80°C (-13 to 176°F) for switch type B, D or I].

Power Requirements: 8 to 30 VDC.

Current Consumption: 21 mA.

Output Signal: 4 to 20 mA.

HART® Receive Impedance: Rx = 500 kohm; Cx = 2500 pF.

Zero and Span Adjustments: Pushbuttons or HART® master for setting both. Mark 1 and 4: Span is adjustable from 0 to 330°; Mark 3: Span is adjustable from 1.5 to 8.5 revolutions.

Conduit Connection: 3/4" female NPT standard. Optional one or two 1/2" female NPT. M25 and M20 optional.

Rotational Travel: Mark 1 and 4: Maximum 330°; Mark 3: Minimum 1.5 revolutions, Maximum 8.5 revolutions.

SPECIFICATIONS

Product Rating: Weatherproof and flameproof. NEMA 1, 2, 3, 3R, 3S, 4, 4X, 6, 7, 9, 12, 13.

UL rated: Class I, Div. 1 & 2, Groups B, C, D (Some units available for Group A, consult factory); Class II, Div. 1 & 2, Groups E, F, and G.

CSA rated: Class I, Div. 1 & 2, Groups A, B, C, D; Class II, Div. 1 & 2, Groups E, F, and G; Submersible to 50 feet. Certified Ex d IIC T6 IP68 15 meters.

ATEX Compliant:

-B suffix, directive 94/9/EC.

KEMA 03 ATEX 2391, II 2 G Ex d IIC T6 for (-25°/-40°/50°C \leq Tamb \leq 80°C optional wording) depending on output and switch type selected.

-IS suffix directive 94/9/EC.

KEMA 03 ATEX 1392X, II 1 G Ex ia IIC T4.

(Switch type C is not available with ATEX; Switch type B is not available with ATEX intrinsically safe, -IS suffix).

IECEx Compliant:

IE suffix, IECEx DEK II.0056X Ex d IIC T6 Gb for -25°C/-40°C/-50°C \leq Tamb \leq 70°C and T5 for -25°C/-40°C/-50°C \leq Tamb \leq 80°C.

II suffix, IECEx DEK II.0061X II Ex ia IIC T4 Ga. Compliant per EN 60079-0:2007 EN 60079-11:2006 and EN 60079-26:2006.

INMETRO Compliant:

IM suffix, Certificate: NCC 13.02338 X; Marking: Ex ia IIC T4 Ga

EM suffix, Certificate: NCC 13.02339 X; Marking: Ex d IIC T6 Gb or Ex d IIC T5 Gb

Switch Outputs (Mark 1, 3 and 4)

Temperature Limits: -58 to 176°F (-50 to 80°C). Switch Type C rated to 350°F (176°C) for 600 hours, Switch Type T rated to 250°F (121°C) continuous. [ATEX flameproof, -B suffix, rated -50 to 80°C (-58 to 176°F) for switch type A, G, H, T, or M; -40 to 80°C (-40 to 176°F) for switch type O, R, S, V, or W; -25 to 80°C (-13 to 176°F) for switch type B, D, I, or AS Interface; ATEX intrinsically safe, -IS suffix, rated -25 to 40°C (-13 to 104°F) for switch type D or I; -40 to 40°C (-40 to 104°F) for switch type R, V, or W, or -50 to 40°C (-58 to 104°F) for switch type A, G, or H.]

Switch Type: See page reference below.

Electrical Rating: See page reference below.

Set Point Adjustment: Mark 1 and 4: 5 to 360°; Mark 3: 1 to 25 revolutions.

Switch Type: See page 413 (Series Mark)
 Electrical Rating: See page 413 (Series Mark)

VALVE POSITION SENSOR

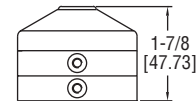
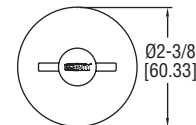
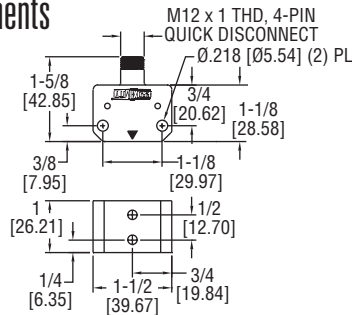
Dual Inductive, 2-Wire AC/DC Sensor, Fully Adjustable Target in 2° Increments



VPS2411



P1



VPS2411

P1

The dual inductive, 2-wire AC/DC **SERIES VPS** Valve Position Sensor maintains VDI/VDE 3845 dimensions so positioners can be easily mounted on top of the sensor and target. The Model VPS2411 Sensor and Model P1 Target mount easily and directly to actuators with ISO NAMUR topworks (see picture below). Solid state components are fully embedded in an epoxy resin to prevent condensation build-up and to protect against vibration and shock. The rugged PBTP housing provides excellent corrosion resistance and moisture protection.

FEATURES/BENEFITS

- Fully adjustable target in 2° increments
- LED indication for visual indication
- 4-pin quick disconnect electrical connection



Model VPS and P1 mounted on an actuator

SPECIFICATIONS

Temperature Limits: -13 to 176°F (-25 to 80°C).	Voltage Drop: 5.0 V.
Power Requirements: 20 to 140 VAC (50/60 Hz), 10 to 200 VDC.	Repeatability: 0.01 mm.
Enclosure Material: Polybutylene terephthalate.	Hysteresis: 3 to 15% of sensing range.
Switch Type: Dual NO.	Switching Frequency: 25 Hz.
Electrical Rating: 200 mA.	Mounting Holes: NAMUR mounting - 3.15" x 1.18" (80 x 30 mm) or 5.118" x 1.18" (130 x 30 mm).
Minimum Load Current: 5 mA.	Electrical Connection: 4-pin quick disconnect.
Leakage Current: 0.8 mA.	

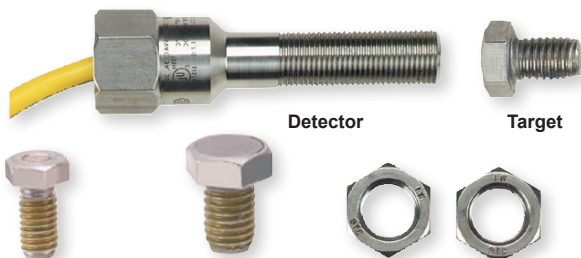
MODEL CHART

Model	Description
VPS2411	Valve position sensor
P1	Valve position target
VIP82	Quick disconnect cable



DETECTOR POSITION SENSOR

Reliable Magnetic Point Sensor, Stainless Steel Housing, AC or DC

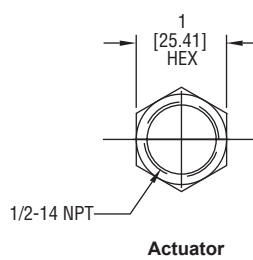


Detector

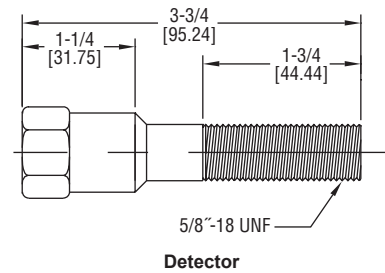
Target

Standard Target with DT1060 H (3/8-16 UNC X 3/4")

High Strength Target with DT1160 (1/2-13 UNC X 3/4")



Actuator



Detector

The **SERIES DT** Detector Position Sensors are reliable, magnetically actuated, SS, completely interchangeable with competitive units. AC or DC for user friendly operation. They have no moving parts, eliminate costly seal fittings and offer enhanced reliability by eliminating arcing. Unintentional actuation by metals is not a problem. The sensor consists of a durable hermetically sealed reed switch potted in a SS housing and a separate 316 SS magnetic actuator bolt. As the actuator moves within the sensing range of the sensor, the magnet in the actuator changes the state of reed switch contacts inside the sensor. This either opens or closes a circuit depending on wiring configuration. Sensing distance is 0.1" (2.54 mm) for the standard target. Greater sensitivity of a larger magnetic target increases the sensing distance to 0.5" (12.7 mm).

FEATURES/BENEFITS

- Excellent for hazardous and corrosive environments
- Can be mounted in any position
- Designed to NEMA 1, 3, 4, 4X, 6, 7, 9, 12 and 13

APPLICATIONS

- Position monitoring and indication with devices such as linear valves – actuators & cylinders – rotary valves – dampers

SPECIFICATIONS

Temperature Limits: -40 to 163°F (-40 to 73°C).	Repeatability: 0.005" (.01 cm).
Switch Type: Tungsten, SPDT, Form C.	Hysteresis: 0.030" (.08 cm).
Electrical Rating: 3 A @ 125 VAC, 3 A @ 30 VDC.	Electrical Connection: Factory sealed leads with 18" min, 4 conductor, PVC insulated, 18 AWG – green/red/black/white (ground/NC/ NO/common).
Enclosure Rating: Weatherproof; Hermetically sealed; Explosion-proof UL & CSA listed for Class I, Groups A, B, C, & D; Class II, Groups E, F & G. Divisions 1 & 2.	Housing: 316 SS.
Intrinsically Safe: Simple apparatus (w/ barrier).	Potting: Epoxy resin.
Operating/Response Time: 3.0 ms.	Conduit: 1/2"-14" female NPT.
Initial Contact Resistance: 0.50 Ω (max).	Weight: 0.32 lb (145 g); 0.45 lb (204 g) with actuator.
	Agency Approvals: CSA, cULus.

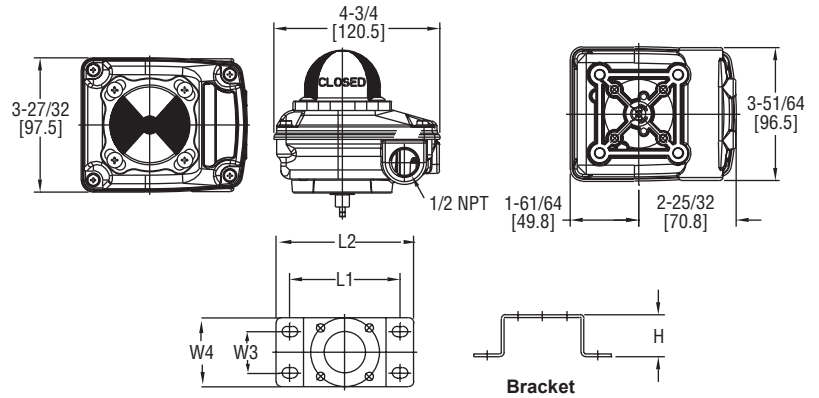
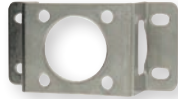
MODEL CHART

Model	Description	Sensing Distance
DT1060	Detector and standard actuator	0.1" (2.54 mm)
DT1160	Detector and high strength actuator	0.5" (12.7 mm)

Position Indicators/
Switches/Transmitters

VALVE POSITION INDICATOR

Low Cost, Mechanical or Proximity Limit Switches



Scan here
to watch
product video

BRACKET DIMENSIONS

Model	H in [mm]	L1 in [mm]	L2 in [mm]	W3 in [mm]	W4 in [mm]
VPI-B01	1-13/64 [30.5]	3-5/32 [80]	3-15/16 [100]	1-3/16 [30]	2 [50]
VPI-B02	1-19/64 [40.5]	3-5/32 [80]	3-15/16 [100]	1-3/16 [30]	2 [50]
VPI-B03	1-19/64 [40.5]	5-1/8 [130]	5-29/32 [150]	1-3/16 [30]	2 [50]
VPI-B04	2-3/8 [60.5]	5-1/8 [130]	5-29/32 [150]	1-3/16 [30]	2 [50]

The **SERIES VPI** Rotary Valve Position Indicators are compact yet rugged for confined and severe locations. These versatile units offer visual position indication as well as two internal limit switches. The Series VPI is available with mechanical or proximity limit switches. The mechanical models feature two SPDT limit switches. The proximity models feature two solid-state inductive limit switches eliminating the need for the cams to make contact with the switches. The NEMA 6 (IP67) rating ensures protection against the ingress of liquid and debris.

FEATURES/BENEFITS

- Spring-loaded cams for quick position adjustment
- Highly visible indication dome

SPECIFICATIONS

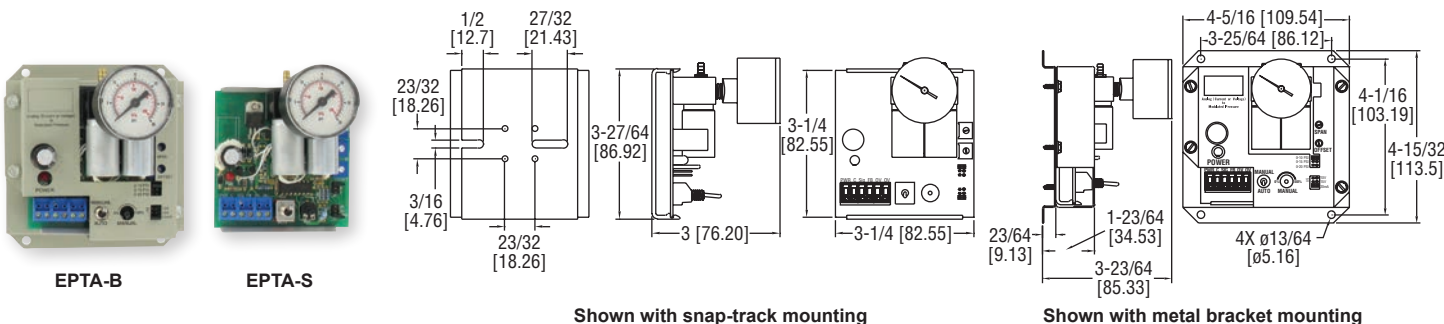
Minimum Rotation Travel: 60°.
Maximum Rotation Travel: 360°.
Temperature Limits: -4 to 176°F (-20 to 80°C).
Switch Type: VPI-M: (2) mechanical SPDT limit switches; VPI-P: (2) inductive proximity limit switches.
Electrical Rating: VPI-M: AC: 3 A at 250 V, 5 A at 125 V; DC: 0.2 A at 250 V, 0.4 A at 125 V, 4 A at 30 V.
Power Requirements: VPI-P: 12 to 24 VDC, 30 VDC max.
Enclosure Material: Aluminum die-casting.
Electrical Connections: 8-contact screw terminal strip.
Conduit Connection: (2) 1/2" female NPT.
Enclosure Rating: NEMA 6 (IP67).
Mounting: NAMUR.
Weight: 1.9 lb (0.88 kg).

MODEL CHART

Model	Description
VPI-M01	Rotary valve position indicator, dual mechanical SPDT, 1/2" NPT conduit
VPI-P01	Rotary valve position indicator, dual proximity SPDT, 1/2" NPT conduit
VPI-B01	NAMUR A, 30 x 80 mm hole pattern, 20 mm shaft height
VPI-B02	NAMUR B, 30 x 80 mm hole pattern, 30 mm shaft height
VPI-B03	NAMUR C, 30 x 130 mm hole pattern, 30 mm shaft height
VPI-B04	NAMUR D, 30 x 130 mm hole pattern, 50 mm shaft height

ELECTRO-PNEUMATIC TRANSDUCER

Low Cost, Selectable Input/Output, Manual Override



The **SERIES EPTA** is an electric to pneumatic transducer that converts an analog input signal to a linearly proportionate pneumatic output by modulating its control valves to regulate branch line pressure to the set point determined by the input signal. All models incorporate two low voltage valves, an integral in-barb filter, a 0 to 30 psi analog gauge, an anodized aluminum manifold, and brass barbed fittings. The EPTA offers adjustable span and offset as well as manual override. This unit has no air consumption and is immune to mounting orientation. Output pressure ranges include field-selectable 0 to 10, 0 to 15, and 0 to 20 psig. Also included is an analog 0 to 5 VDC feedback signal indicating the resultant branch line pressure. Universal 24 VAC/24 VDC supply voltage and field-selectable 4 to 20 mA, 0 to 5 VDC, 0 to 10 VDC, or 0 to 15 VDC inputs ensure single unit compatibility with most systems. The standard models maintain branch pressure on power loss while the Fail-Safe models will drop the branch pressure to 0 psi on power loss. Mounting configurations include a metal bracket mount in the EPTA-B models and a snap-track mount in the EPTA-S models. The A-400 accessory kit will allow the EPTA-S models to be mounted on a standard DIN rail.

MODEL CHART	
Model	Description
EPTA-S0	Standard snap-track mount transducer
EPTA-B0	Standard metal bracket mount transducer
EPTA-S1	Snap-track mount transducer with fail-safe
EPTA-B1	Metal bracket mount transducer with fail-safe

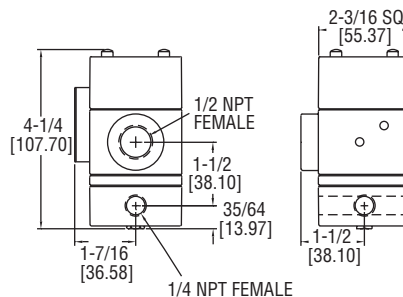
SPECIFICATIONS	
Service: Clean dry air or any inert gas.	Supply Voltage: 24 VDC (+10%/-5%) or 24 VAC (±10%) 50/60 Hz.
Input Signal: DC current (4 to 20 mA) or DC voltage (0-5/0-10/0-15).	Supply Current: 180 mA max, 200 mA max on fail-safe model.
Input Impedance: Current: 250 Ω; Voltage: Infinite.	Temperature Limits: Operating: 32 to 120°F (0 to 48.8°C); Storage: -20 to 150°F (-6.7 to 65.6°C).
Output Signal: Jumper selectable 0 to 10 psig (0 to 69 kPa), 0 to 15 psig (0 to 103 kPa), or 0 to 20 psig (0 to 138 kPa).	Operating Humidity Range: 5 to 95%, non-condensing.
Feedback Output: 0 to 5 VDC.	Pressure Connections: 1/4" OD (polyethylene tubing optimum).
Air Supply: 25 psig (172 kPa) max.	Electrical Connections: Plug-in block terminal type with 5 mm pin spacing.
Air Flow: 750 scim.	Wire Size: Up to one 14 AWG per terminal.
Air Consumption: 0 scim normal operation, fail-safe model vents to 0 psi on power loss.	Weight: EPTA-S0: 6.9 oz. (196 g); EPTA-S1: 9.2 oz. (261 g); EPTA-B: 14.5 oz. (411 g).
Accuracy: ±1.0% FS @ room temperature; ±2.0% FS @ 32 to 120°F (0 to 48.8°C).	

ACCESSORIES	
Model	Description
A-400	DIN mounting kit
A-403	Replacement integral barb filter



CURRENT TO PRESSURE TRANSDUCER

Intrinsically Safe, NEMA 4X Enclosure, Field Reversible, Low Cost



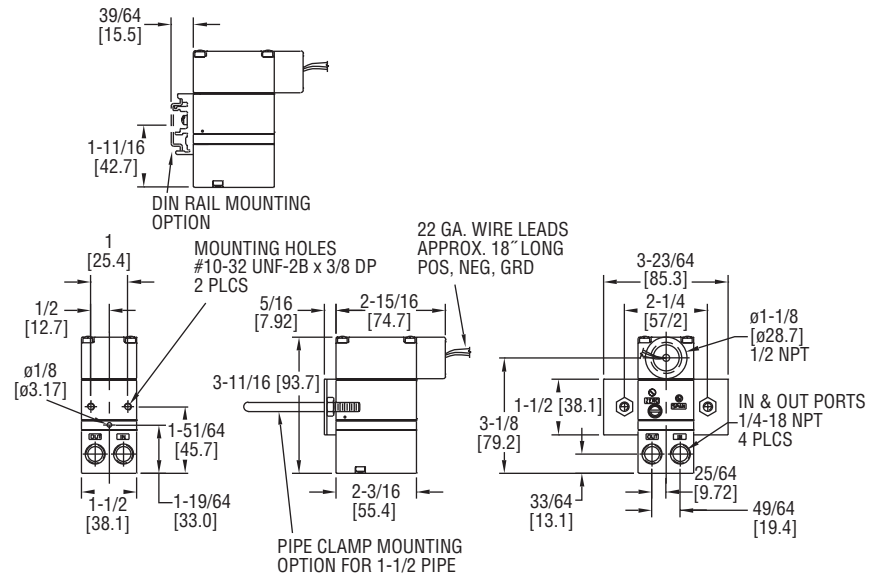
The **SERIES IP** Current to Pressure Transducer converts a current input signal to a linearly proportional pneumatic output pressure. The features include built-in volume booster, low air consumption, field reversible (provides output which is inversely proportional to input signal) and flexible zero and span adjustments. The rugged NEMA 4X enclosure allows splashdown and outdoor installation. The IP can be used for applications that require operation of valve actuators, pneumatic valve positioners, damper and louver actuators, final control elements and relays.

MODEL CHART			
Model	Input Ranges	Output Range	
		psi	kPa
IP-42	4 to 20 mA	3 to 15	20 to 100
IP-43	4 to 20 mA	3 to 27	20 to 185
IP-44	4 to 20 mA	6 to 30	40 to 200

SPECIFICATIONS	
Service: Oil free, clean dry air filtered to 40 microns.	Pressure Connections: 1/4" female NPT.
Input Signal: 4 to 20 mA.	Electrical Connection: 1/2" female NPT.
Input Impedance: IP-42: 180 ohms; IP-43 and IP-44: 220 Ω.	Air Consumption: 0.03 SCFM (0.5 m ³ /h) typical.
Air Pressure: Min: 3 psig (21 kPa) above max output; Maximum: 100 psig (700 kPa).	Output Capacity: 4.5 SCFM (7.6 m ³ /h ANR) at 25 psig (175 kPa) supply; 12 SCFM (20 m ³ /h) at 100 psig (700 kPa) supply.
Linearity: < ±0.75% of span.	Relief Capacity: 2 SCFM (3.4 m ³ /h) at 5 psig (35 kPa) above 20 psig (140 kPa) setpoint.
Hysteresis: < 1% of span.	Weight: 2.1 lb (0.94 kg).
Repeatability: < 0.5% of span.	Agency Approvals: CE, FM.
Supply Pressure Sensitivity: < ±0.1% of span per psig (< ±0.15% of span per 10 kPa).	
Power Requirements: Loop-powered.	
Temperature Limits: -20 to 140°F (-30 to 60°C).	

CURRENT TO PRESSURE TRANSDUCER

NEMA 4X Enclosure, Compact Size, Reliable



The **SERIES 2700** Current to Pressure Transducer combines economical startup cost, low air consumption, and reliable performance to make the 2700 a great investment. The unit converts a variable current signal to a proportional pneumatic output. It has input and output ports on both the front and back which allows for versatile plumbing. The NEMA 4X enclosure enables the unit to be installed indoors or outdoors, however, the unit is not vibration resistant. It is FM and CSA approved for intrinsically safe operation. The 2700 is designed for remote or panel mounting. An integral volume booster provides high flow capacity, increasing control speed in critical applications. Other features include external zero and span adjustments which are convenient for field calibration.

The **SERIES 2800** Current to Pressure Transducer utilizes a closed loop pressure feedback system that closely controls output and compensates for vibration, mounting angle, temperature, and supply pressure variations. These characteristics make this unit ideal for field mounting on a valve. The control mechanism is a piezoceramic actuator encapsulated in a protective skin, which provides a constant defense against humidity and contaminants. These features make this unit ideal for use in demanding applications. The 2800 also comes in a NEMA 4X enclosure and is field reversible. It is FM and CSA approved intrinsically safe, as well. For ease of installation, this model has input and output ports on both the front and back and can be easily panel mounted.

MODEL CHART		
Model	Input	Output
2713-WP	4 to 20 mA	3 to 15 psig (0.2 to 1.0 bar)
2716-WP	4 to 20 mA	6 to 30 psig (0.4 to 2.1 bar)
2813-WP	4 to 20 mA	3 to 15 psig (0.2 to 1.0 bar)
2816-WP	4 to 20 mA	6 to 30 psig (0.4 to 2.1 bar)

ACCESSORIES	
Model	Description
A-180	Valve mounting bracket, for Hi-Flow™ control valves (Series 2800 only)
A-181	DIN rail mounting kit, suitable for EN-50035, EN-50042, and EN-50022 rails
A-182	Pipe mounting kit, for 1-1/2 and 2" pipes

OPTION	
Description	
Valve mount, for factory mounting and calibration to Hi-Flow™ control valves, add current-to-pressure transducer model number as suffix (Series 2800 only)	

SPECIFICATIONS

Service: Oil free, clean dry air filtered to 40 microns.
Input Signal: 4 to 20 mA.
Air Supply: Min: 5 psig (0.3 bar) above max output; Max: 100 psig (6.9 bar).
Output: 3 to 15 psig (0.2 to 1.0 bar), 6 to 30 psig (0.4 to 2.1 bar).
Accuracy: Series 2800: ±0.1% of span.
Linearity: Series 2700: < ±0.5% of span.
Hysteresis: Series 2700: < 0.5% of span; Series 2800: ±0.1% of span.
Repeatability: Series 2700: < 0.5% of span; Series 2800: ±0.1% of span.
Deadband: Series 2800: 0.02% of span.
Supply Pressure Sensitivity: Series 2700: < 0.1% of span per 1.0 psig (0.1 bar).
Power Requirement: Loop powered.
Temperature Limits: Series 2700: -20 to 150°F (-29 to 66°C); Series 2800: Operating: -40 to 160°F (-40 to 71°C); Storage: -40 to 200°F (-40 to 93°C).
Pressure Connections: 1/4" female NPT.
Electrical Connection: 1/2" female NPT.
Air Consumption: Series 2700: 0.03 scfm (0.01 l/s) at midrange typical; Series 2800: 0.025 scfm (0.01 l/s) at midrange typical.
Output Capacity: 4.5 scfm (2.1 l/s) at 25 psig (1.7 bar) supply; 12.0 scfm (5.7 l/s) at 100 psig (6.9 bar) supply.
Enclosure: Chromate-treated aluminum with epoxy paint.
Enclosure Rating: NEMA 4X (IP66) and intrinsically safe.
Weight: Series 2700: 1.3 lb (0.59 kg); Series 2800: 0.8 lb (0.37 kg).
Agency Approvals: CE, CSA, FM.

SERIES 2700

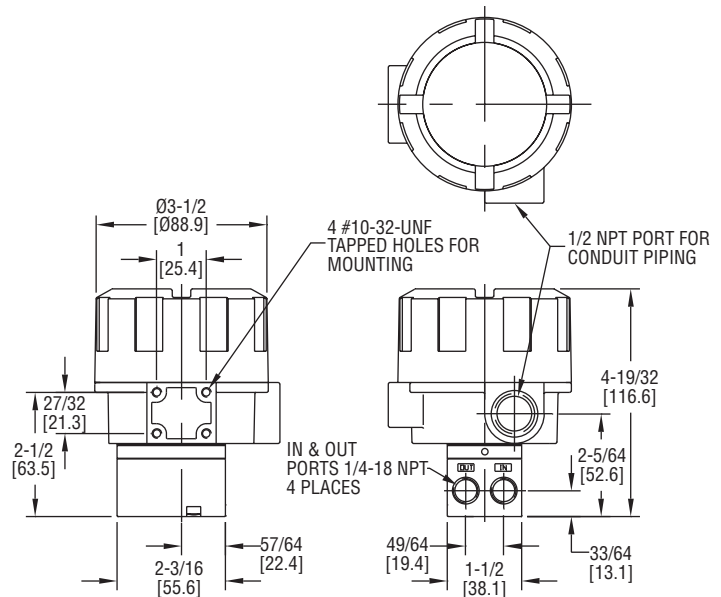
FM Intrinsically Safe Ratings: Class I, II, III, Division 1, Groups C, D, E, F and G; Class I, Division 2, Groups A, B, C and D; Class II and III, Division 2, Groups F and G.
CSA Intrinsically Safe Ratings: Class I, Division 2, Groups C and D; Class II, Groups E, F and G; Class III.

SERIES 2800

FM Intrinsically Safe Ratings: Class I, II, and III, Division 1, Groups C, D, E, F, and G; Class I, Zone 0, Group IIB; Class I, II, and III, Division 2, Groups A, B, C, D, F, and G.
CSA Intrinsically Safe Ratings: Class I, Division 2, Groups A, B, C and D; Class II, Division 2, Groups F and G; Class III.

CURRENT TO PRESSURE TRANSDUCER

Intrinsically Safe, Explosion-Proof, NEMA 4X Enclosure



The **SERIES 2900** Current to Pressure Transducer delivers reliable high performance for the toughest applications in the most hazardous environments. Its NEMA 4X housing is designed and FM and CSA approved for both intrinsically safe and explosion-proof operation. This unit has advanced circuitry which includes electronic feedback control for superior vibration protection and highly accurate output. The 2900 is not position sensitive and the easily accessible zero and span adjustments make field calibration quick and easy. For ease of installation, this model has input and output ports on both the front and back. It is also not vibration sensitive, which makes the 2900 ideal for field mounting on a valve. These features coupled with the unit's compact size help make set-up and installation simple.

FEATURES/BENEFITS

- Designed for hazardous environments
- Vibration resistant
- Explosion-proof
- Weatherproof and intrinsically safe

MODEL CHART		
Model	Input	Output
2913-E	4 to 20 mA	3-15 psig (0.2-1.0 bar)
2916-E	4 to 20 mA	6-30 psig (0.4-2.1 bar)

ACCESSORIES	
Model	Description
A-180	Valve mounting bracket, for Hi-Flow™ control valves (Series 2800 only)

OPTION	
Description	
Valve mount, for factory mounting and calibration to Hi-Flow™ control valves, add current-to-pressure transducer model number as suffix (Series 2800 only)	

SPECIFICATIONS

Service: Oil free, clean dry air filtered to 40 microns.
Input Signal: 4 to 20 mA.
Air Supply: Min: 5 psig (0.3 bar) above max output; Max: 100 psig (6.9 bar).
Output: 3 to 15 psig (0.2 to 1.0 bar), 6 to 30 psig (0.4 to 2.1 bar).
Accuracy: ±0.1% of span.
Hysteresis: ±0.1% of span.
Repeatability: ±0.1% of span.
Deadband: 0.02% of span.
Power Requirement: Loop powered.
Temperature Limits: Operating: -40 to 160°F (-40 to 71°C); Storage: -40 to 200°F (-40 to 93°C).
Pressure Connections: 1/4" female NPT.
Electrical Connection: 1/2" female NPT.
Air Consumption: 0.05 scfm (0.02 l/s) at midrange typical.
Output Capacity: 4.5 scfm (2.1 l/s) at 25 psig (1.7 bar) supply; 12.0 scfm (5.7 l/s) at 100 psig (6.9 bar) supply.
Enclosure: Chromate-treated aluminum with epoxy paint.
Enclosure Rating: Weatherproof NEMA 4X (IP66), explosion-proof and intrinsically safe.
Weight: 1.8 lb (0.82 kg).
Agency Approvals: CE, CSA, FM.

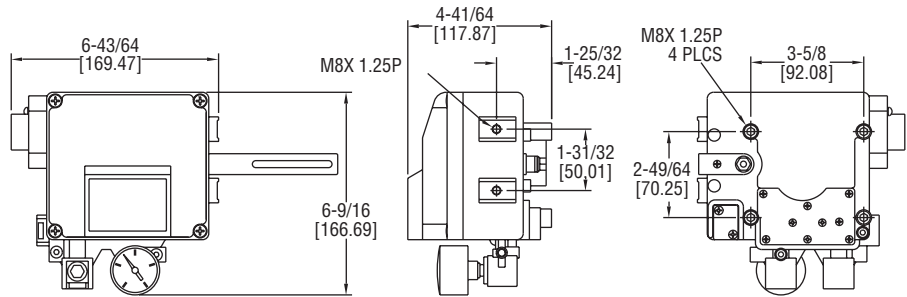
FM Ratings: Explosion-proof for Class I Division 1, Groups B, C, and D, T6; Dust Ignitionproof for Class I, Division 1, Groups E, F, and G, T6; Intrinsically safe for Class I, II, and III, Division 1, Groups C, D, E, F, and G, T4 hazardous (classified) locations and intrinsically safe for Class I, Zone 0, Group IIB, T4 hazardous (classified) locations and suitable for Class I, Groups A, B, C, D, T4, and Class II and III, Division 2, Groups F and G, T6 hazardous (classified) locations.

CSA Ratings: Class I Division 1, Groups B, C, and D; Class I, Division 2, Groups A, B, C and D; Class II, Division 1, Groups E, F, and G; Class II and III, Division 2, Groups F and G.

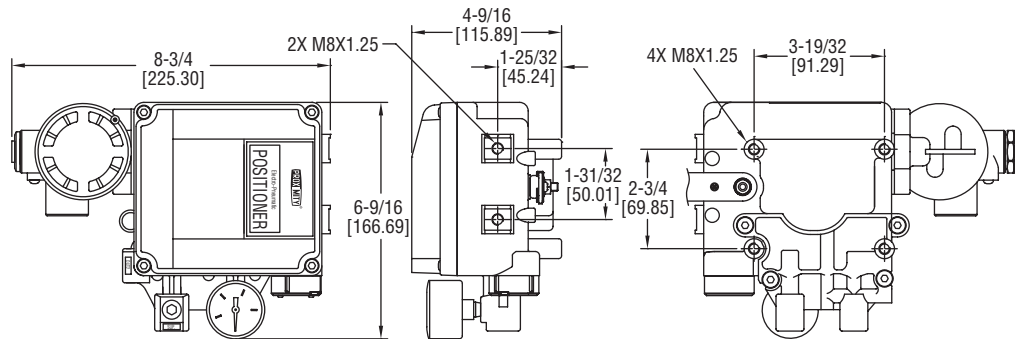
Current to Pressure Transducers

PRECISOR® II PNEUMATIC AND ELECTRO-PNEUMATIC POSITIONER

Linear Operation, Field Selectable Cam Design, 316 SS Models



Series 165NL



Series 165EL

The **SERIES 165** PRECISOR® II Pneumatic and Electro-Pneumatic Positioners deliver stable process control at an exceptionally low price. Its rugged, durable design makes it ideal for harsh environments while maintaining precise, accurate positioning of the control element. Units can be easily changed from direct to reverse action, or vice versa. Low air consumption keeps operating costs at a minimum, while still responding quickly and accurately. Excellent for use in chemical processing, food and beverage, pulp and paper, and pharmaceutical industries, as well as many others.

FEATURES/BENEFITS

- Field selectable cam for direct or reverse acting

APPLICATIONS

Series 165 PRECISOR® II Pneumatic and Electro-Pneumatic Positioners provide excellent modulating control when used between the Dwyer Temperature Controllers, Current to Pressure Transducer, and the Hi-Flow™ Valve in such industries as the food and beverage processing, chemical, pharmaceutical, and wood pulp and paper.

HOW TO ORDER:

1. Select Model No. to specify input control signal.
2. For proper mounting hardware, order according to which actuator the positioner will be mounted to.

MODEL CHART		
Model	Input	Enclosure
165NL	3 to 15 psig	Aluminum
165EL	4 to 20 mA	Aluminum
165EL-SS	4 to 20 mA	Stainless steel

ACCESSORIES - MOUNTING KITS	
Model	For Actuator Models
A-233	220 and 221 air-to-lower
A-234	222 and 223 air-to-lower
A-235	230 and 231 air-to-raise
A-236	233 air-to-raise

SPECIFICATIONS

Input Signal: Pneumatic: 3 to 15 psig (0.2 to 1 bar); Electro-pneumatic: 4 to 20 mA DC.

Input Impedance: (165EL only): 250 ±15 Ω.

Enclosure Material: Aluminum diecasting or 316 SS.

Air Supply: 20 to 100 psig (1.4 to 6.9 bar).

Air Supply Connection: 1/4" NPT.

Gage Connection: 1/8" NPT.

Electrical Connection: Screw terminal.

Conduit Connection: 1/2" NPT (165EL only).

Linearity: ±0.2% FS.

Hysteresis: 1% FS.

Sensitivity: ±0.2% FS.

Repeatability: ±0.5% FS.

Air Consumption: 0.10 scfm (3 LPM) at 20 psig (1.4 bar) supply.

Flow Capacity: 28 scfm (80 LPM) at 20 psig (1.4 bar) supply.

Stroke: 0.5 to 6" (10 to 150 mm).

Enclosure Rating: IP66 (NEMA 4X).

Temperature Limits: Aluminum: -4 to 158°F (-20 to 70°C); SS: -40 to 158°F (-40 to 70°C).

Weight: 165NL: 3.1 lb (1.7 kg); 165EL: 6.1 lb (2.7 kg).

Agency Approvals: CE (165EL only).

OPTION

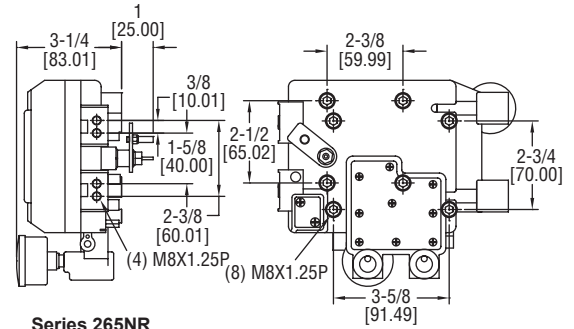
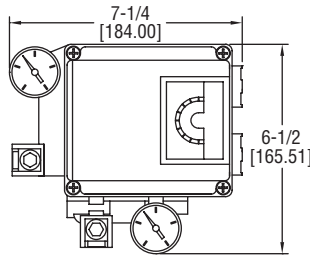
Description

Valve mount, for factory mounting and calibration to Hi-Flow™ control valves, add suffix to valve model number of positioner. (Does not include valve or positioner price)

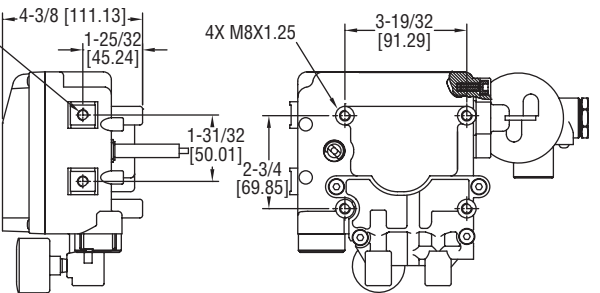
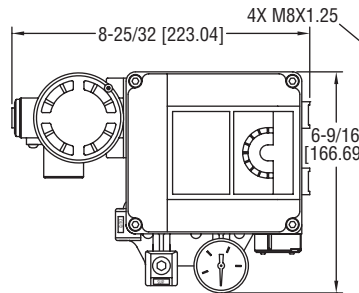
Example: 2004VA32-231-165EL

PRECISOR® II PNEUMATIC AND ELECTRO-PNEUMATIC POSITIONER

Rotary Operation, Field Selectable Cam Design, 316 SS Models



Series 265NR



Series 265ER

Proximity **SERIES 265** PRECISOR® II Pneumatic and Electro-Pneumatic Positioners combine outstanding performance with an extremely low price, making it an exceptional value for industrial applications. Rotary valves with single or double acting pneumatic actuators can be precisely controlled, such as our ball and butterfly valves. The Precisor® II positioner proportionally modulates the valve from either an electric 4 to 20 mA or pneumatic 3 to 15 psig input signal, based on the model chosen and is user-selectable for single or double action. Its rugged, durable design makes it ideal for use in harsh environments, while maintaining precise, accurate positioning of the control elements. Includes a bracket for mounting onto actuators with NAMUR standard connections, and features a versatile linear cam for direct action, reverse action, or split ranges.

FEATURES/BENEFITS

- Field selectable cam for direct or reverse acting
- User selectable single or double action
- Highly visible indicator for local indication

MODEL CHART			
Model	Input	Lever Type	Enclosure
265NR-D5	3 to 15 psig	NAMUR	Aluminum
265ER-D5	4 to 20 mA	NAMUR	Aluminum
265ER-D5SS	4 to 20 mA	NAMUR	Stainless steel

ACCESSORIES	
Model	Description
A-228	SS steel flex hose, 12" (30.48 cm) L, 1/8" male NPT connections
A-332	Brass adapter, 1/8" female NPT to 1/4" male NPT

SPECIFICATIONS

Input Signal: Pneumatic: 3 to 15 psig (0.2 to 1 bar); Electro-pneumatic: 4 to 20 mA DC.
Input Impedance: (265ER only): 250 ±15 Ω.
Enclosure Material: Aluminum diecasting or 316 SS.
Air Supply: 20 to 101 psig (1.4 to 7.0 bar).
Air Supply Connection: 1/4" NPT.
Gage Connection: 1/8" NPT.
Electrical Connection: Screw terminal.
Conduit Connection: 1/2" NPT (265ER only).
Linearity: ±2% FS.
Hysteresis: 1% FS.
Sensitivity: ±0.5% FS.
Repeatability: ±0.5% FS.
Air Consumption: 0.10 scfm (3 LPM) at 20 psig (1.4 bar) supply.
Flow Capacity: 28 scfm (80 LPM) at 20 psig (1.4 bar) supply.
Stroke: 0 to 90°.
Enclosure Rating: IP66.
Temperature Limits: -4 to 158°F (-20 to 70°C).
Weight: 265NR: 3.1 lb (1.7 kg); 265ER: 6.2 lb (2.8 kg).
Agency Approvals: CE (265ER only).



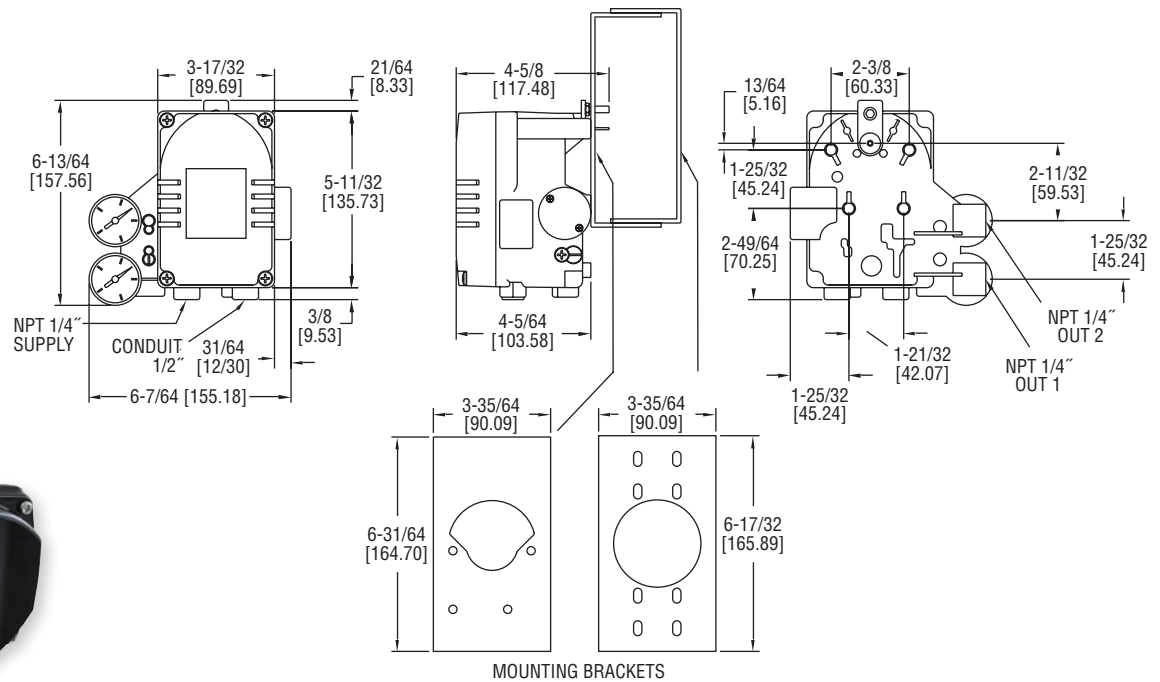
Pneumatic Hosing and Fittings

Hosing and fittings for connecting positioners, current to pressure transducers, air filter gauges and other accessories to pneumatic actuated valves.

Filters and Regulators: See pages 425-426

PRECISOR® III ELECTRO-PNEUMATIC POSITIONER

Low Cost, Rotary Operation, Selectable Single or Double Action



Proximity **SERIES 275** PRECISOR® III Electro-Pneumatic Positioners combine an easy to use, high performance unit with a low price. Series 275 models accurately control valve stroke of rotary motion valves such as Dwyer Instruments ball or butterfly valves according to an input signal of 4 to 20 mA from the controller. Its rugged, durable design makes it ideal for harsh environments. The NEMA 4X (IP 66) enclosure rating protects the highly efficient microprocessing unit. An analog feedback signal is outputted to stabilize any valve system, and easy to use functions such as auto calibration ensure the accuracy of the Series 275. Low air consumption reduces operating cost, but does not sacrifice the performance of the positioner. The compact design of this unit makes it easy to use with any size actuator. PRECISOR® III Positioners feature user selectable single or double action and LCD screen attached to the outer face of the unit, allowing for an easy inspection of the positioner condition while in the field.

FEATURES/BENEFITS

- Integral LCD for monitoring or programming
- Mounting bracket is included
- Adjustable for various characteristics - quick open or linear valves
- User selectable single or double action

SPECIFICATIONS

Input Signal: 4 to 20 mA DC.
Input Impedance: 460 Ω max @ 20 mA DC.
Enclosure Material: Aluminum diecasting.
Air Supply: 20 to 100 psi (1.4 to 6.9 bar).
Air Connection: 1/4" NPT.
Gage Connection: 1/8" NPT.
Conduit Connection: 1/2" NPT.
Linearity: ±0.5% FS.
Hysteresis: ±0.5% FS.
Sensitivity: ±0.2% FS.
Repeatability: ±0.3% FS.
Air Consumption: Below 0.07 scfm (2 LPM) at 20 psig (1.4 bar) supply.
Flow Capacity: 2.5 scfm (70 LPM) at 20 psig (1.4 bar) supply.
Stroke: 0 to 90°.
Enclosure Rating: IP66.
Temperature Limits: -22 to 185°F (-30 to 85°C).
Lever: NAMUR.
Weight: 3.3 lb (1.5 kg).

MODEL CHART

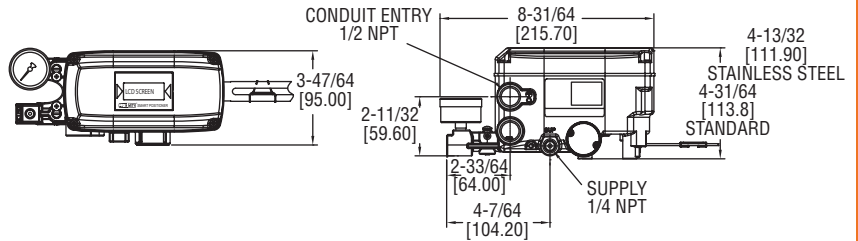
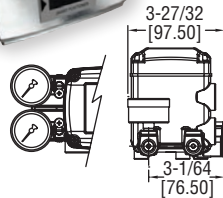
Model	Communication	Option
275ER-D5000	None	None
275ER-D5001	None	Transmitter
275ER-D5021	HART®	Transmitter

LINEAR SMART POSITIONER

Fail Freeze, Linear Operation, HART® Communication



Scan here to watch product video



Proximity **SERIES 185** Smart Positioners combine an easy to use, high performance unit with a low price. Series 185 models accurately control the valve stroke of linear motion valves, such as W.E. Anderson globe valves, according to an input signal of 4 to 20 mA from the controller. Its rugged, durable aluminum or available stainless steel construction makes it ideal for harsh environments. The NEMA 4X (IP66) enclosure rating protects the highly efficient microprocessing unit inside the Smart Positioner. An analog feedback signal is outputted to stabilize any valve system, and easy to use functions such as auto calibration ensure the accuracy of the unit. Low air consumption reduces operating cost, but does not sacrifice the performance of the Smart Positioner. The compact design of this unit makes it easy to use with any size actuator. Smart Positioners feature a LCD screen attached to the outer surface of the unit, allowing for an easy inspection of the positioner condition while in the field. Available in user selectable single or double action, with HART® communication as standard. In the event that the 4-20 mA input signal is lost the 185 will fail in place.

MODEL CHART		
Model	Communication	Enclosure
185EL-D1	HART®	Aluminum
185EL-D1SS	HART®	Stainless steel

SPECIFICATIONS

Input Signal: 4 to 20 mA DC.
Input Impedance: 460 Ω max @ 20 mA DC.
Enclosure Material: Aluminum or 316 SS.
Air Supply: 35 to 116 psi (2.4 to 8 bar).
Air Connection: 1/4" NPT.
Gage Connection: 1/8" NPT.
Conduit Connection: 1/2" NPT.
Linearity: ±0.5% FS.
Hysteresis: ±0.5% FS.
Sensitivity: ±0.2% FS.
Repeatability: ±0.3% FS.
Air Consumption: .0004 scfm (.01 LPM) at 20 psig (1.4 bar) supply.
Flow Capacity: 2.1 scfm (60 LPM) at 20 psig (1.4 bar) supply.
Stroke: 0.5 to 6" (10 to 150 mm).
Enclosure Rating: NEMA 4X (IP66).
Temperature Limits: -22 to 185°F (-30 to 85°C).
Weight: 3.3 lb (1.5 kg); SS models: 6.4 lb (2.9 kg).

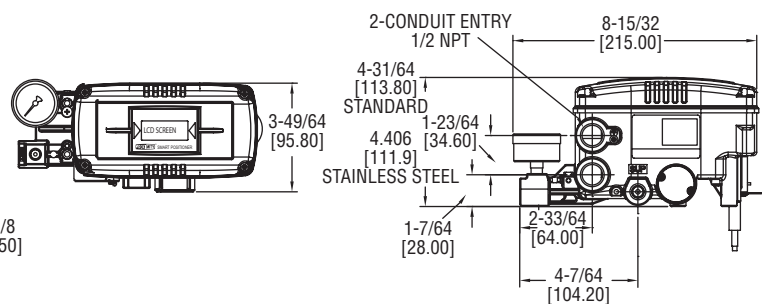
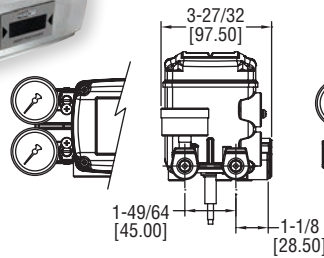
HART® is a registered trademark of Hart Communication Foundation

ROTARY SMART POSITIONER

Fail Freeze, Rotary Operation, HART® Communication



Scan here to watch product video



Proximity **SERIES 285** Smart Positioners combine an easy to use, high performance unit with a low price. Series 285 models accurately control the valve stroke of rotary motion valves, such as W.E. Anderson ball or butterfly valves, according to an input signal of 4 to 20 mA from the controller. Its rugged, durable design makes it ideal for harsh environments. The NEMA 4X (IP66) enclosure rating protects the highly efficient microprocessing unit inside the Smart Positioner. An analog feedback signal is outputted to stabilize any valve system, and easy to use functions such as auto calibration ensure the accuracy of the unit. Low air consumption reduces operating cost but does not sacrifice the performance of the Smart Positioner. The compact design of this unit makes it easy to use with any size actuator. Smart Positioners feature a LCD screen attached to the outer surface of the unit, allowing for an easy inspection of the positioner condition while in the field. Available in user selectable single or double action, with HART® communication as standard. In the event that the 4-20 mA input signal is lost the 285 will fail in place.

MODEL CHART		
Model	Communication	Enclosure
285ER-D5	HART®	Aluminum
285ER-D5SS	HART®	Stainless steel

SPECIFICATIONS

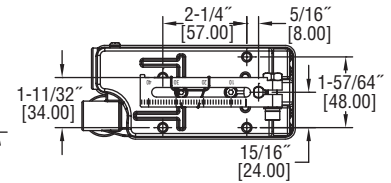
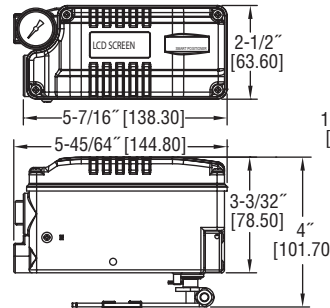
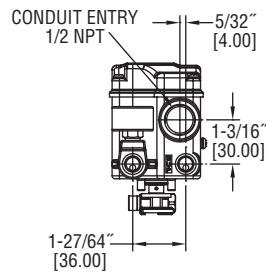
Input Signal: 4 to 20 mA DC.
Input Impedance: 460 Ω max @ 20 mA DC.
Enclosure Material: Aluminum or 316 SS.
Air Supply: 35 to 116 psi (2.4 to 9 bar).
Air Connection: 1/4" NPT.
Gage Connection: 1/8" NPT.
Conduit Connection: 1/2" NPT.
Linearity: ±0.5% FS.
Hysteresis: ±0.5% FS.
Sensitivity: ±0.2% FS.
Repeatability: ±0.3% FS.
Air Consumption: .0004 scfm (.01LPM) at 20 psig (1.4 bar) supply.
Flow Capacity: 2.1 scfm (60 LPM) at 20 psig (1.4 bar) supply.
Stroke: 0 to 90°.
Enclosure Rating: NEMA 4X (IP66).
Temperature Limits: -22 to 185°F (-30 to 85°C).
Weight: 3.3 lb (1.5 kg); SS models: 6.4 lb (2.9 kg).

HART® is a registered trademark of Hart Communication Foundation

Filters and Regulators: See pages 425-426

COMPACT LINEAR SMART POSITIONER

Low Cost, Linear Operation, HART® Communication



Proximity **SERIES 195** Smart Positioners are a compact, high performance unit with a low price. Series 195 models accurately control the valve stroke of linear motion valves, such as W.E. Anderson globe valves, according to an input signal of 4 to 20 mA from the controller. Its rugged, durable design makes it ideal for harsh environments. The NEMA 4X (IP66) enclosure rating protects the highly efficient microprocessing unit inside the Smart Positioner. An analog feedback signal is outputted to stabilize any valve system, and easy to use functions such as auto calibration ensure the accuracy of the unit. Low air consumption reduces operating cost, but does not sacrifice the performance of the Smart Positioner. The handheld size of this unit makes it easy to use with any size actuator, and can be used in applications where a larger positioner may not fit. Series 195 Smart Positioners feature a LCD screen attached to the outer surface of the unit, allowing for an easy inspection of the positioner condition while in the field. Available with HART® communication.

MODEL CHART		
Model	Action	Communication
195EL-S1	Single	None
195EL-S2	Single	HART®

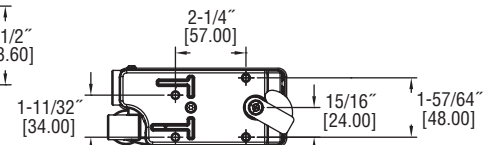
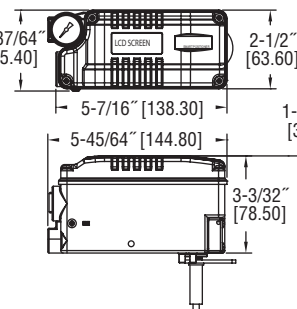
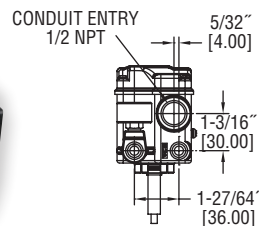
SPECIFICATIONS

Input Signal: 4 to 20 mA DC.
Input Impedance: 460 Ω max @ 20 mA DC.
Enclosure Material: Aluminum.
Air Supply: 35 to 116 psi (2.4 to 8 bar).
Air Connection: 1/4" NPT.
Gage Connection: 1/8" NPT.
Conduit Connection: 1/2" NPT.
Linearity: ±0.5% FS.
Hysteresis: ±0.5% FS.
Sensitivity: ±0.2% FS.
Repeatability: ±0.3% FS.
Air Consumption: .0004 scfm (.01 LPM) at 20 psig (1.4 bar) supply.
Flow Capacity: .32 scfm (9 LPM) at 20 psig (1.4 bar) supply.
Stroke: 0.19 to 1.38" (5 to 35 mm).
Enclosure Rating: NEMA 4X (IP66).
Temperature Limits: -22 to 185°F (-30 to 85°C).
Weight: 1.8 lb (.82 kg).

HART® is a registered trademark of Hart Communication Foundation

COMPACT ROTARY SMART POSITIONER

Low Cost, Rotary Operation, HART® Communication



Proximity **SERIES 295** Smart Positioners are a compact, high performance unit with a low price. Series 295 models accurately control the valve stroke of rotary motion valves, such as W.E. Anderson ball or butterfly valves, according to an input signal of 4 to 20 mA from the controller. Its rugged, durable design makes it ideal for harsh environments. The NEMA 4X (IP66) enclosure rating protects the highly efficient microprocessing unit inside the Smart Positioner. An analog feedback signal is outputted to stabilize any valve system and easy to use functions such as auto calibration ensure the accuracy of the unit. Low air consumption reduces operating cost, but does not sacrifice the performance of the Smart Positioner. The handheld size of this unit makes it easy to use with any size actuator, and can be used in applications where a larger positioner may not fit. Series 295 Smart Positioners feature a LCD screen attached to the outer surface of the unit, allowing for an easy inspection of the positioner condition while in the field. Available with HART® communication.

MODEL CHART		
Model	Action	Communication
295ER-S1	Single	None
295ER-S2	Single	HART®

SPECIFICATIONS

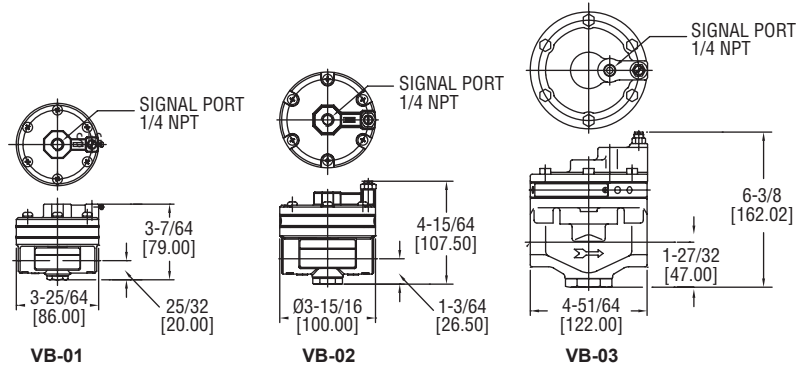
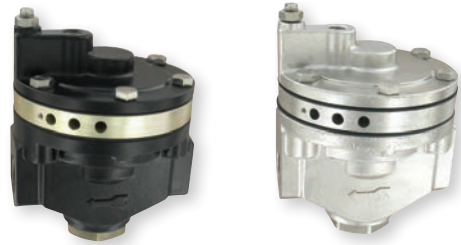
Input Signal: 4 to 20 mA DC.
Input Impedance: 460 Ω max @ 20 mA DC.
Enclosure Material: Aluminum.
Air Supply: 35 to 116 psi (2.4 to 8 bar).
Air Connection: 1/4" NPT.
Gage Connection: 1/8" NPT.
Conduit Connection: 1/2" NPT.
Linearity: ±0.5% FS.
Hysteresis: ±0.5% FS.
Sensitivity: ±0.2% FS.
Repeatability: ±0.3% FS.
Air Consumption: .0004 scfm (.01 LPM) at 20 psig (1.4 bar) supply.
Flow Capacity: .32 scfm (9 LPM) at 20 psig (1.4 bar) supply.
Stroke: 0 to 90°.
Enclosure Rating: NEMA 4X (IP66).
Temperature Limits: -22 to 185°F (-30 to 85°C).
Weight: 1.8 lb (.82 kg).

HART® is a registered trademark of Hart Communication Foundation

Filters and Regulators: See pages 425-426

VOLUME BOOSTER

Economical, 1:1 Ratio



The **SERIES VB** Volume Booster is a one to one signal to output relay and an ideal solution to increasing valve stroke speed. A large input signal change to the booster delivers high volume for quick throttling control. Volume booster responds to the slightest changes in input signal, which in turn increases accuracy of the output of air pressure to the actuator. This booster receives the positioner's signal output and supplies the proper air pressure to the actuator to reduce response and adjustment time. Available in aluminum or stainless steel.

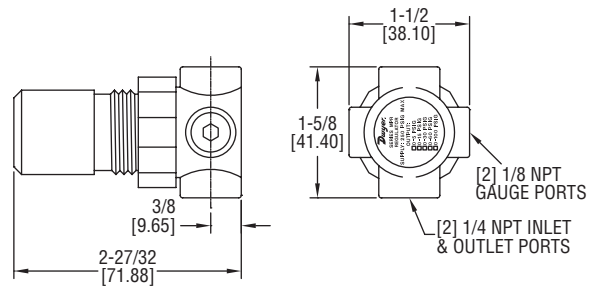
MODEL CHART				
Model	Cv	Weight	In/Out Connection	Construction
VB-01	1.02	1.1 lb (0.5 kg)	1/4" NPT	Aluminum
VB-01SS	1.02	2.9 lb (1.3 kg)	1/4" NPT	SS
VB-02	2.32	1.7 lb (0.76 kg)	1/2" NPT	Aluminum
VB-02SS	2.32	4.2 lb (1.9 kg)	1/2" NPT	SS
VB-03	4.98	5.1 lb (2.3 kg)	3/4" NPT	Aluminum
VB-03SS	4.98	11 lb (5 kg)	3/4" NPT	SS

SPECIFICATIONS

Service: Air only.
Wetted Materials: Body: Aluminum or SS; Diaphragm: Nitrile elastomer.
Max Supply Pressure: 145 psi (10 bar).
Max Signal/Output Pressure: 101.5 psi (7 bar).
Signal Connection: 1/4" NPT.
In/Output Pressure Ratio: 1:1.
Temperature Limits: -4 to 158°F (-20 to 70°C).
Linearity: ±1% FS.
In/Output Connection: See model chart.
Weight: See model chart.

MINIATURE PRESSURE REGULATOR

Air or Water Regulator, Compact and Lightweight, Low Cost



The **SERIES MPR** Miniature Pressure Regulators are compact units that provide low cost, high performance pressure regulation of compressed air or air/water. The low torque, non-rising adjustment knob with locking capability provides easy and precise adjustment. Models for use with air are self relieving. Models for air/water are non-relieving.

MODEL CHART		
Air Model	Air/Water Model	Range
MPR1-0	MPR2-0	0 to 5 psi
MPR1-1	MPR2-1	0 to 15 psi
MPR1-2	MPR2-2	0 to 30 psi
MPR1-3	MPR2-3	0 to 60 psi
MPR1-4	MPR2-4	0 to 100 psi

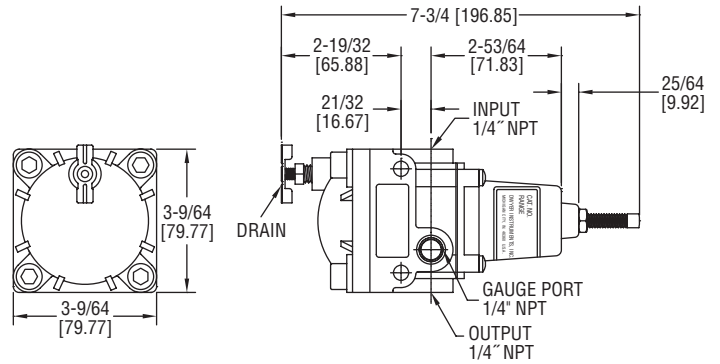
SPECIFICATIONS

Service: Compressed air or water.
Wetted Materials: Body: Zinc; Bonnet: Acetal; Diaphragm/seals: Nitrile; Internals: Aluminum, brass, acetal, steel, music wire (MPR2 is plated with electroless nickel for water use).
Maximum Supply Pressure: 250 psig (17.2 bar).
Temperature Limits: 0 to 150°F (-18 to 60°C).
Flow Capacity: 24 SCFM (48 m3/hr) at 100 psig (6.9 bar) supply, 60 psig (4.1 bar) output.
Process Connection: Inlet and outlet: Two 1/4" female NPT; Two 1/8" female NPT gage ports.
Weight: 4 oz (113 g).

ACCESSORIES

Model	Description
MPR-B	Mounting bracket
MPR-N	Panel mounting nut

AIR FILTER REGULATOR



SERIES AFR Air Filter Regulator provides clean air pressure to pneumatic controllers, valve positioners, air cylinders and other equipment. Self-relieving regulator is equipped with a 40 micron filter housed in a dripwell with gage port.

MODEL CHART	
Model	Range
AFR1	0 to 10 psi (0 to 65 kPa)
AFR2	0 to 30 psi (0 to 200 kPa)
AFR3	0 to 60 psi (0 to 400 kPa)
AFR4	0 to 120 psi (0 to 800 kPa)

ACCESSORY	
Model	Description
AFR-BRKT	Mounting bracket

SPECIFICATIONS

Service: Air only.

Wetted Materials: Body: Aluminum alloy, irridite, and lock epoxy finish; Filter: Phenolic impregnated cellulose; Diaphragm and valve seat plug: Nitrile elastomer.

Max. Supply Pressure: 250 psig (1700 kPa).

Temperature Limits: 0 to 160°F (-18 to 71°C).

Sensitivity: 1" (2.5 cm) of water.

Consumption: <6 SCFH (0.17 m³/hr).

Flow Capacity: 20 SCFM (33 m³/hr) @ 100 psig (700 kPa) supply.

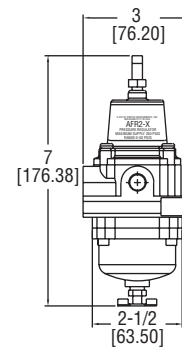
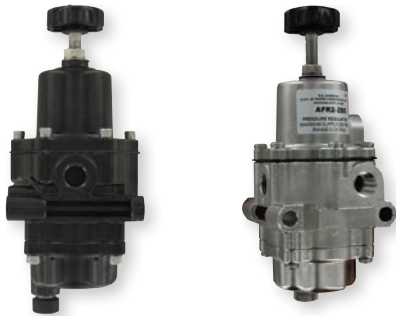
Exhaust Capacity: 0.1 SCFM (0.17 m³/hr) with downstream pressure 5 psig (35 kPa) above set point.

Process Connection: 1/4" female NPT.

Weight: 1.6 lb (725 g).

INSTRUMENT AIR FILTER REGULATOR

Compact, Stainless Steel Models, Cost-Effective



SERIES AFR2 Air Filter Regulator provides clean air pressure to pneumatic controllers, valve positioners, air cylinders and other equipment. Self-relieving regulator is equipped with a 40 micron filter housed in a dripwell with gage port.

MODEL CHART		
Model	Range	Body
AFR2-1	0 to 60 psi (0 to 4 bar)	Aluminum
AFR2-2	0 to 121 psi (0 to 8 bar)	Aluminum
AFR2-1SS	0 to 60 psi (0 to 4 bar)	Stainless steel
AFR2-2SS	0 to 121 psi (0 to 8 bar)	Stainless steel

SPECIFICATIONS

Service: Air only.

Wetted Materials: Body: Aluminum or SS; Filter: Polyethylene; Diaphragm and valve seat plug: Nitrile elastomer.

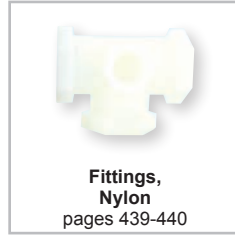
Max. Supply Pressure: 250 psi (17.2 bar).

Temperature Limits: -4 to 158°F (-20 to 70°C).

Minimum Filtering Size: 5 microns.

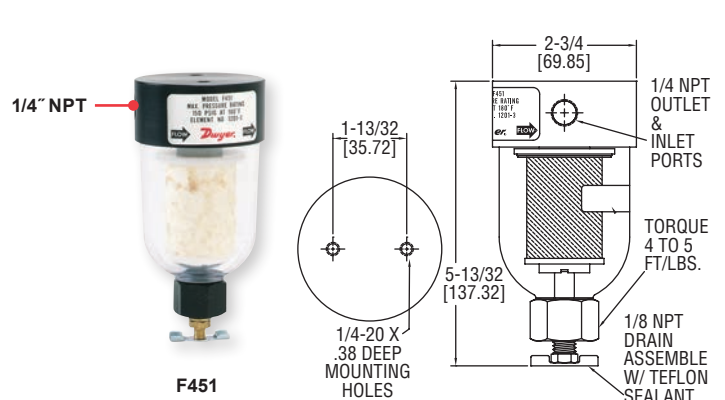
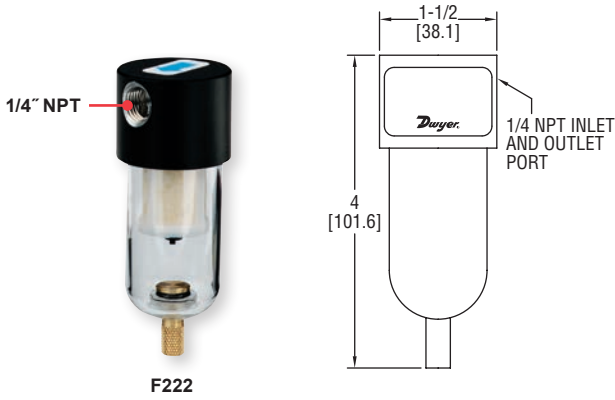
Process Connection: 1/4" NPT.

Weight: 1.7 lb (0.6 kg), SS models: 3.0 lb (1.4 kg).





LIQUID/PARTICLE FILTERS



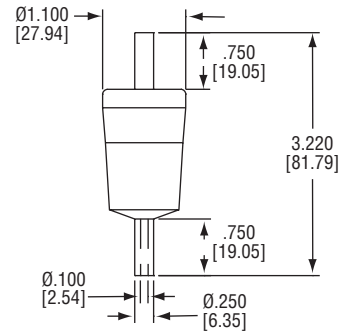
MODEL F222 & F451 Compressed Air Filters protect equipment and instrumentation from harmful contaminants such as dirt, water and oil. Liquids are continuously coalesced and released through the manual drain valves. Replaceable filter element removes particles and droplets as small as 0.01 micron with 93% efficiency. Units have 1/4" female NPT inlet and outlet and manual drain valve.

MODEL CHART	
Model	Description
F222	Liquid/particle filter
F451	Liquid/particle filter
1201-3	Replacement filters for F451 (pack of 3)

SPECIFICATIONS	
Filtration Efficiency:	93% (removal of 0.01 micron particles).
Maximum Pressure:	150 psig (10 bar).
Maximum Temperature:	130°F (54°C).
Max. Flow at 100 psig:	22 SCFM (F222); 45 SCFM (F451).
Inlet & Outlet Ports:	1/4" female NPT.
Mounting:	In-line only (F222); 1/4-20 mounting holes (F451).
Materials of Construction:	Anodized aluminum head, polycarbonate bowl, cadmium plated steel tie rod, nylon internals, Buna-N seal.
Weight:	0.5 lb (0.2 kg) (F222); 1.1 lb (0.5 kg) (F451).

DISPOSABLE IN-LINE FILTER

Flowmeter Accessories and Options



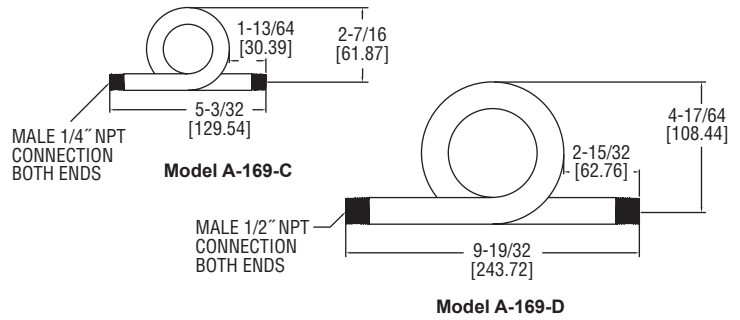
Remove 99.99% of unwanted particles from within your gas flow with the **MODEL F195** Disposable In-Line Filter. Encapsulated microfiber filter elements are able to filter particles as small as 0.1 micron. Filters are completely disposable — simply remove the filter from your line and throw it away when it becomes dirty. The transparent nylon housing makes it simple to determine if the filter needs to be changed.

MODEL CHART	
Model	Description
F195	Disposable in-line filter

LINE PRESSURE VS. FLOW	
Line Pressure (psig)	1.5 10 20 30 40 60 80 100 125
Gas Flow (scfm)	0.6 0.9 1.3 1.6 2.0 2.7 3.5 4.2 5.7
Note: 1.5 psi pressure drop.	

SPECIFICATIONS	
Filtration Efficiency:	99.99% (removal of 0.1 micron particles).
Housing Construction:	Nylon.
Filter Tube Dimensions:	0.59 ID x 1.39 L.
Maximum Temperature:	230°F @ 0 psig (110°C @ 0 bar), 120°F @ 125 psig (49°C @ 9 bar).
Maximum Pressure:	125 psig (8.6 bar).
Maximum Differential Pressure:	60 psi (4 bar) (in-to-out flow direction), 20 psi (1.4 bar) (out-to-in flow direction).
Internal Volume:	11.5 cc (11.5 ml).
Connections:	Barbed for 1/4" ID tubing.

CARBON STEEL SIPHONS



The **SERIES A-169** Carbon Steel Siphons protect pressure instruments in high temperature applications. Water held in the 180° coil prevents steam from contacting the instrument. Constructed with carbon steel, the A-169 siphons can withstand high temperature and pressure. They are ideal for use with pressure gages and instrumentation where the process media temperature exceeds the rating of the instrument. The male NPT connection allows for easy installation and secure attachment.

SPECIFICATIONS

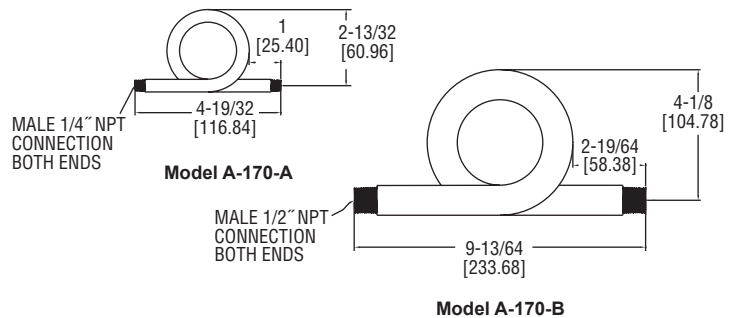
Service: Compatible liquids and gases.
Wetted Materials: Carbon steel.
Pressure Limits: 500 psi (34 bar).
Temperature Limits: 680°F (360°C).
Process Connections: See chart.
Weight: 1/4" NPT models: 8 oz (226.8 g); 1/2" NPT models: 34.9 oz (988.8 g).

MODEL CHART

Model	Process Connections	Material
A-169-C	1/4" NPT male	Carbon steel SCH 80
A-169-D	1/2" NPT male	Carbon steel SCH 80



316 STAINLESS STEEL SIPHONS



The **SERIES A-170** 316 Stainless Steel Siphons protect pressure instruments in high temperature applications. Water held in the 180° coil prevents steam from contacting the instrument. Constructed with 316 stainless steel, the A-170 siphons offer the best resistance to corrosion, high temperature, and pressure. They are ideal for use with pressure gages and instrumentation where the process media temperature exceeds the rating of the instrument. The male NPT connection allows for easy installation and secure attachment.

SPECIFICATIONS

Service: Compatible liquids and gases.
Wetted Materials: 316 SS.
Pressure Limits: See chart.
Temperature Limits: See chart.
Process Connections: See chart.
Weight: 1/4" NPT models: 8 oz (226.8 g); 1/2" NPT models: 25.6 oz (725.75 g).
Agency Approvals: RoHS*.
 *Model A-170 is not RoHS certified.

MODEL CHART

Model	Process Connections	Material	Pressure Limit
A-170*	1/4" NPT male	316 SS SCH80	2307 psi @ 200°F
A-170-A	1/4" NPT male	316 SS SCH40	500 psi @ 680°F
A-170-B	1/2" NPT male	316 SS SCH40	500 psi @ 680°F

*Model A-170 is not RoHS certified.



PERFORATED OR SPIRAL COOLING TOWER

Protect Instrumentation in High Temperature Applications

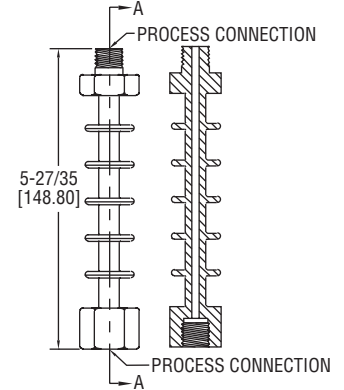
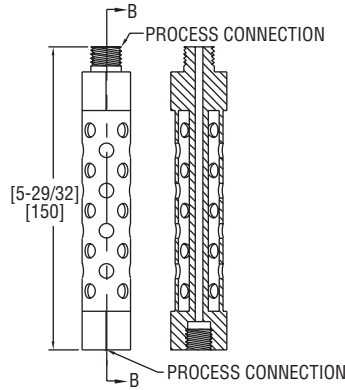


A-240



A-250

CONNECTION CHART	
1/4" male/female NPT	
3/8" male/female NPT	
1/2" male/female NPT	
1/4" male/female BSPP	
3/8" male/female BSPP	
1/2" male/female BSPP	



The **SERIES A-240/A-250** Perforated and Spiral Cooling Towers protect pressure instruments during high temperature applications. Both the spiral and perforated styles are made with 316L SS, and are available with various process connections in NPT or BSPP style. Both Cooling Towers are ideal for use with pressure gages, switches, and transmitters where the process media temperature exceeds the rating of the instrument.

SPECIFICATIONS	
Service:	Compatible liquids and gases.
Wetted Parts:	316L SS.
Temperature Limits:	428°F (220°C).
Pressure Limits:	5800 psi (400 bar).
Process Connections:	See chart.
Height:	6" (150 mm).
Weight:	8 oz (227 g).

MODEL CHART					
Model	Style	Connections	Model	Style	Connections
A-240-A	Perforated	1/4" male/female NPT	A-250-A	Spiral	1/4" male/female NPT
A-240-B	Perforated	3/8" male/female NPT	A-250-B	Spiral	3/8" male/female NPT
A-240-C	Perforated	1/2" male/female NPT	A-250-C	Spiral	1/2" male/female NPT
A-240-D	Perforated	1/4" male/female BSPP	A-250-D	Spiral	1/4" male/female BSPP
A-240-E	Perforated	3/8" male/female BSPP	A-250-E	Spiral	3/8" male/female BSPP
A-240-F	Perforated	1/2" male/female BSPP	A-250-F	Spiral	1/2" male/female BSPP

ADJUSTABLE PRESSURE SNUBBER

Protect Instruments from Pressure Spikes or Fluid Hammer

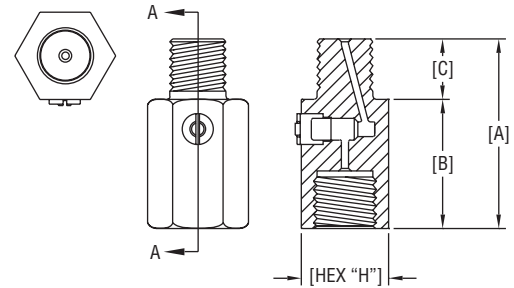


Brass



316 SS

DIMENSIONS				
Connections	A	B	C	H
1/4" M x F	55	42	13	25.0
3/8" M x F	60	44	16	25.0
1/2" M x F	60	40	20	28.0

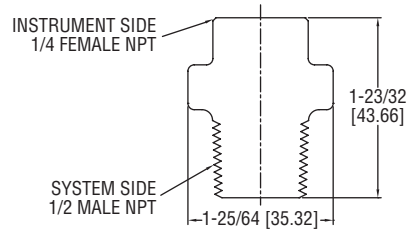


The **ADJUSTABLE PRESSURE SNUBBERS** protect pressure instruments against fluctuations, surges, spikes and fluid hammer. The fine thread adjustable valve allows you to fine tune harmful harmonic vibration from the fluid systems and isolate the instrument from process when service or replacement is necessary. These Pressure Snubbers are designed to provide fully field adjustable dampening. By using our Adjustable Pressure Snubbers, you will alleviate surges and pulsations to assure steady pressure readings and extend the life of your instrument.

SPECIFICATIONS	
Service:	Compatible liquids and gases.
Wetted Parts:	Brass or 316 SS.
Pressure Limits:	5690 psi (392 bar).
Temperature Limits:	-4 to 302°F (-20 to 150°C).
Process Connections:	See chart.
Weight:	8.4 oz (238 g).

MODEL CHART					
Model	Material	Connections	Model	Material	Connections
A-251	Brass	1/4" male/female BSPP	A-257	316 SS	1/4" male/female BSPP
A-252	Brass	3/8" male/female BSPP	A-258	316 SS	3/8" male/female BSPP
A-253	Brass	1/2" male/female BSPP	A-259	316 SS	1/2" male/female BSPP
A-254	Brass	1/4" male/female NPT	A-260	316 SS	1/4" male/female NPT
A-255	Brass	3/8" male/female NPT	A-261	316 SS	3/8" male/female NPT
A-256	Brass	1/2" male/female NPT	A-262	316 SS	1/2" male/female NPT

GAGE GUARD

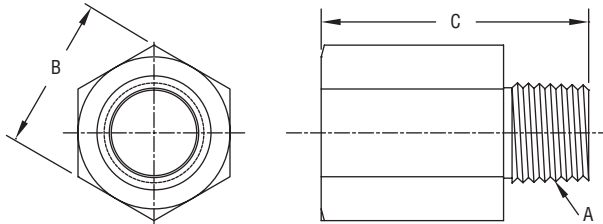
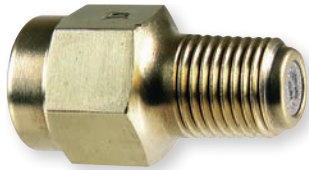


Protecting pressure or vacuum instruments from clogging, corrosion, or damage, the **SERIES GG** Gage Guard provides a protective barrier between the process fluid and the instrument. The hermetically-sealed uni-body protects from the possibility of leaking. Glass-filled Polypropylene housing is suitable for most inorganic chemicals and temperatures up to 185°F (85°C). A fluid fill station is recommended for proper installation.

MODEL CHART	
Model	Description
GG1	Buna-N diaphragm
GG2	Fluoroelastomer diaphragm

SPECIFICATIONS	
Maximum Pressure:	Liquids: 160 psi (11 bar) @ 70 to 185°F (21 to 85°C); Gases: 100 psi (6.9 bar) @ 70 to 100°F (21 to 38°C) and 30 psi (2.1 bar) @ 100 to 185°F (38 to 85°C).
Accuracy:	±4%.
Maximum Temperature:	185°F (85°C).
Wetted Parts:	Glass-filled polypropylene housing, Buna-N or fluoroelastomer diaphragm.
Dimensions:	1/4" female NPT instrument side; 1/2" male NPT system side; 1-3/8" (35 mm) diameter.

PRESSURE SNUBBER



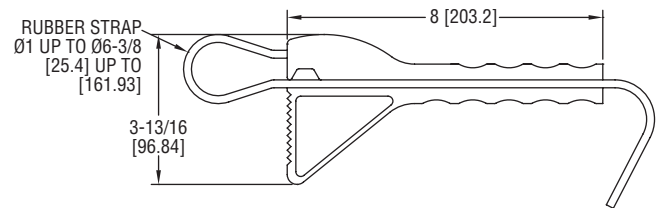
DIMENSIONS			
Model	A	B	C
PS114	1/8" NPT	1/2"	1-7/64"
PS214	1/8" NPT	1/2"	1-7/64"
PS122	1/4" NPT	3/4"	1-1/2"
PS124	1/4" NPT	3/4"	1-1/2"
PS222	1/4" NPT	3/4"	1-1/2"
PS224	1/4" NPT	3/4"	1-1/2"
PS225	1/4" NPT	3/4"	1-1/2"

The **SERIES PS** is designed to protect pressure instrumentation by dampening surges and pulsations and assuring steady average pressure readings. Snubbers are available in a variety of pore sizes for use with gases, water, and oils.

MODEL CHART		
Model	Service	Construction
PS114	Air & gases	Brass 1/8" NPT
PS214	Air & gases	SS 1/8" NPT
PS122	Water & oils	Brass 1/4" NPT
PS124	Air & gases	Brass 1/4" NPT
PS222	Water & oils	SS 1/4" NPT
PS224	Air & gases	SS 1/4" NPT
PS225	Pulsating gas	SS 1/4" NPT

SPECIFICATIONS	
Maximum Pressure:	Brass: 10,000 psi (689 bar), SS: 15,000 psi (1034 bar).
Filter Disc Material:	AISI 316 SS.
Approx. Micron Rating:	Air & gases: 2-5µ; water & oils (30-225 SSU): 10µ.
Dimensions:	1/4" NPT: 3/4" (19 mm) hex size, 1.5" (38 mm) length.

STRAP WRENCH



The **MODEL SWUK1** offers the user a versatile tool to grip, undo & tighten a wide variety of awkwardly shaped and sized objects. The SWUK1 also makes the job of fitting Adjustable Signal Flags (ASF) covers to Magnehelic® Differential Pressure Gages much easier by simply following the instruction included with each cover supplied.

MODEL CHART	
Model	Description
SWUK1	Strap wrench

FEATURES/BENEFITS

- Reinforced plastic handle provides extra leverage
- Rubber strap reinforced with 38 cords of high tensile polycarbon to give a breaking strength in excess of 2000 lb
- Strap will grip objects from .79" to 6.30" diameter
- Low cost, rugged and simple to use
- Handy multi-purpose tool



INTRODUCTION TO STAINLESS STEEL FITTING LINE

THE DWYER SERIES A-1000 QUALITY TUBE FITTINGS have been designed and manufactured to provide reliable leak-free connections in a wide variety of applications. A reliable leak-free tubing system will be achieved by combining the proper selection and handling of tubing with the proper tube fitting selection and installation. The following information is provided to assist in the tube selection process.

MATERIAL

The tubing material chosen must be compatible with the system's contained media, pressure and temperature, as well as with the environment in which it will be installed. Also, the tubing and fittings materials should be similar for optimum sealing action to occur (stainless fittings for stainless tube, brass fittings for copper tube, carbon steel fittings for carbon steel tube, etc.). The mixing and contact of dissimilar materials may leave the system susceptible to galvanic corrosion and/or not allow proper tube fitting makeup to be achieved.

PRESSURE AND FLOW

The size of the tube's outside diameter (OD) and the necessary wall thickness are determined by the system's pressure and flow requirements. Table A details the suggested tubing sizes and wall thickness for use with instrumentation tube fittings. If no pressure is shown on the table for a particular size, the tube is not recommended for use with instrumentation tube fittings. The tubing system should not be utilized above the tube's maximum allowable working pressure.

TEMPERATURE

The system's operating temperature may affect the initial choice of tubing material and may also affect the maximum allowable working temperature for the given tube size (see Table B for temperature stress factors).

LIGHT GAS SERVICE

To provide a successful connection for light gas service, the tubing must have a thick enough wall to provide resistance for the setup action of the ferrules to further compensate for the tube's potential surface condition.

HANDLING AND INSTALLATION

Surface scratches and gouges on tubing are a source of potential leaks. Some precaution when handling the tubing can help reduce surface scratches and maintain the surface finish as originally intended by the manufacturer. Tubing should never be dragged across rocks, blacktop, pavement, or tubing storage racks as scratches and gouges can occur. Sharp blades should always be used in the tube cutters or hacksaws used to cut the tubing so as to provide a clean, square cut. Dull cutting blades can cause internal and external hanging burrs, and cause the tubing to become oval and affect proper insertion within the fitting. As a good handling practice, tubing should always be deburred prior to tube fitting installation to help assure easy and complete tube insertion. Additionally, for bent tube assemblies, it is important to bend tubing prior to installing tube fittings, and to provide a sufficient straight length of tubing after the bend to allow the tube to be fully inserted into the fitting. Also, to eliminate weight stress from the tubing upon the fitting and to provide additional system support for vibration and thermal shock resistance, the tubing should always be supported by tube hangers, clamps or trays.

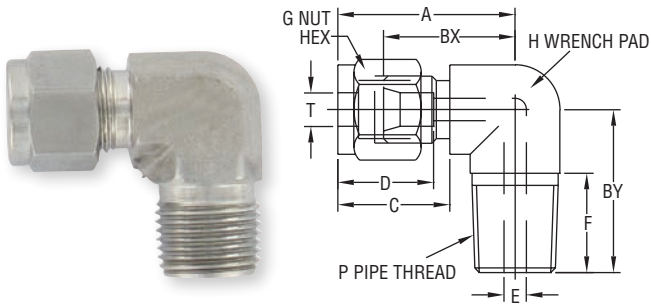
TABLE A - STAINLESS STEEL TUBING																
Maximum Allowable Working Pressure (psig)																
Tube OD	Wall Thickness of Tube (Inches)															
[Size (in)]	.010	.012	.014	.016	.020	.028	.035	.049	.065	.083	.095	.109	.120	.134	.156	.188
1/16	5600	6850	8150	9500	12100	-	-	-	-	-	-	-	-	-	-	-
1/8	-	-	-	-	-	8550	11000	-	-	-	-	-	-	-	-	-
3/16	-	-	-	-	-	5450	7000	10300	-	-	-	-	-	-	-	-
1/4	-	-	-	-	-	4000	5100	7500	10300	-	-	-	-	-	-	-
5/16	-	-	-	-	-	-	4050	5850	8050	-	-	-	-	-	-	-
3/8	-	-	-	-	-	-	3300	4800	6550	-	-	-	-	-	-	-
1/2	-	-	-	-	-	-	2450	3500	4750	6250	-	-	-	-	-	-
5/8	-	-	-	-	-	-	-	2950	4000	5200	6050	-	-	-	-	-
3/4	-	-	-	-	-	-	-	2400	3300	4250	4950	5800	-	-	-	-
7/8	-	-	-	-	-	-	-	2050	2800	3600	4200	4850	-	-	-	-
1	-	-	-	-	-	-	-	-	2400	3150	3650	4200	4700	-	-	-
1-1/4	-	-	-	-	-	-	-	-	-	2450	2850	3300	3650	4150	4900	-
1-1/2	-	-	-	-	-	-	-	-	-	-	2350	2700	3000	3400	4000	4900
2	-	-	-	-	-	-	-	-	-	-	-	2000	2200	2500	2900	3600

TABLE B - STRESS FACTORS FOR DETERMINING TUBING PRESSURE RATINGS AT ELEVATED TEMPERATURES		
Temperature		Stainless Steel 316
°F	°C	
100	38	1.00
200	93	1.00
300	149	1.00
400	200	.97
500	260	.90
600	316	.85
700	371	.82
800	427	.80*
900	482	.78*
1000	538	.73*
1200	649	.37*

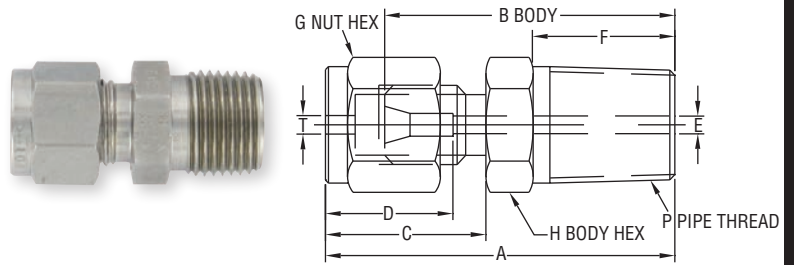
*The precipitation of chromium carbides potentially resulting in intergranular corrosion may occur when exposed to operating temperatures.

Fittings, Stainless Steel

STAINLESS STEEL FITTING LINE



Series A-1001 Male Elbow Fitting Line



Series A-1002 Male Connector Fitting Line

MODEL CHART					
Model	T = Tube OD	P = Pipe Thread Male	Model	T = Tube OD	P = Pipe Thread Male
A-1001-1	1/16"	1/16"	A-1001-18	3/8"	1/2"
A-1001-2	1/16"	1/8"	A-1001-19	3/8"	3/4"
A-1001-3	1/8"	1/16"	A-1001-20	1/2"	1/4"
A-1001-4	1/8"	1/8"	A-1001-21	1/2"	3/8"
A-1001-5	1/8"	1/4"	A-1001-22	1/2"	1/2"
A-1001-6	3/16"	1/8"	A-1001-23	1/2"	3/4"
A-1001-7	3/16"	1/4"	A-1001-24	5/8"	3/8"
A-1001-8	1/4"	1/8"	A-1001-25	5/8"	1/2"
A-1001-9	1/4"	1/4"	A-1001-26	5/8"	3/4"
A-1001-10	1/4"	3/8"	A-1001-27	3/4"	1/2"
A-1001-11	1/4"	1/2"	A-1001-28	3/4"	3/4"
A-1001-12	5/16"	1/8"	A-1001-29	7/8"	3/4"
A-1001-13	5/16"	1/4"	A-1001-30	1"	3/4"
A-1001-15	3/8"	1/8"	A-1001-31	1"	1"
A-1001-16	3/8"	1/4"	A-1001-32	1-1/4"	1-1/4"
A-1001-17	3/8"	3/8"	A-1001-33	1-1/2"	1-1/2"

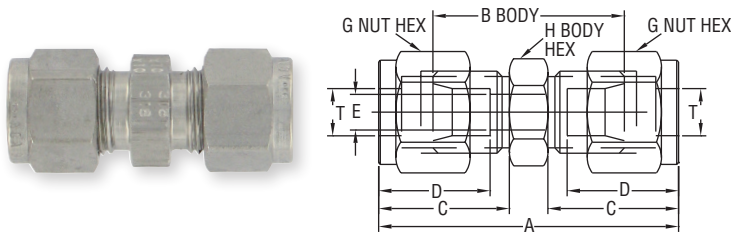
SPECIFICATIONS
Service: Liquid, steam and compatible gases.
Wetted Materials: 316 SS.
Temperature Ranges: See reference Table B. ●
Pressure Ranges: See reference Table A. ●
Connections: A-1001: 1/16" to 1-1/2"; A-1002: 1/16" to 2".
Dimensions: Consult website, or contact factory.

MODEL CHART					
Model	T = Tube OD	P = Pipe Thread Male	Model	T = Tube OD	P = Pipe Thread Male
A-1002-1	1/16"	1/16"	A-1002-24	3/8"	3/4"
A-1002-2	1/16"	1/8"	A-1002-25	1/2"	1/8"
A-1002-3	1/16"	1/4"	A-1002-26	1/2"	1/4"
A-1002-4	1/8"	1/16"	A-1002-27	1/2"	3/8"
A-1002-5	1/8"	1/8"	A-1002-28	1/2"	1/2"
A-1002-6	1/8"	1/4"	A-1002-29	1/2"	3/4"
A-1002-7	1/8"	3/8"	A-1002-30	5/8"	3/8"
A-1002-8	1/8"	1/2"	A-1002-31	5/8"	1/2"
A-1002-9	3/16"	1/8"	A-1002-32	5/8"	1/2"
A-1002-10	3/16"	1/4"	A-1002-33	5/8"	3/4"
A-1002-11	1/4"	1/16"	A-1002-34	3/4"	1/2"
A-1002-12	1/4"	1/8"	A-1002-35	3/4"	3/4"
A-1002-13	1/4"	1/4"	A-1002-36	3/4"	1"
A-1002-15	1/4"	1/2"	A-1002-37	7/8"	3/4"
A-1002-16	1/4"	3/4"	A-1002-39	1"	1/2"
A-1002-17	5/16"	1/8"	A-1002-40	1"	3/4"
A-1002-18	5/16"	1/4"	A-1002-41	1"	1"
A-1002-19	5/16"	3/8"	A-1002-42	1-1/4"	1"
A-1002-20	3/8"	1/8"	A-1002-43	1-1/4"	1-1/4"
A-1002-21	3/8"	1/4"	A-1002-44	1-1/2"	1-1/2"
A-1002-22	3/8"	3/8"	A-1002-45	2"	2"
A-1002-23	3/8"	1/2"			

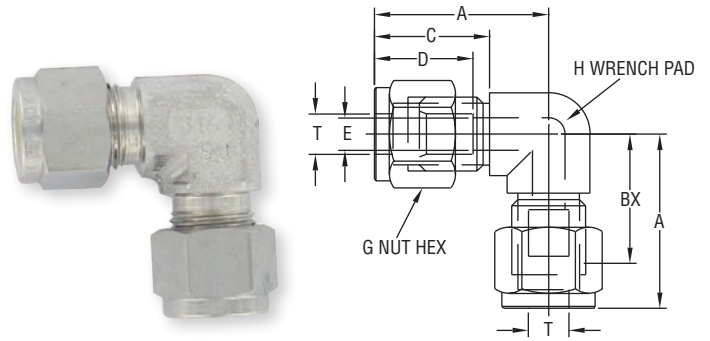
● Table B: See page 432 (Introduction to Stainless Steel Fitting Line)
 ● Table A: See page 432 (Introduction to Stainless Steel Fitting Line)



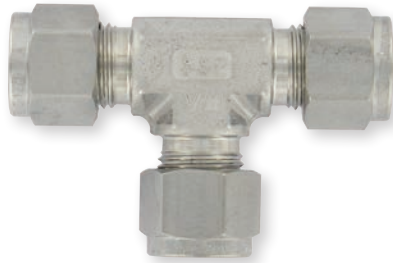
STAINLESS STEEL FITTING LINE



Series A-1003 Union Fitting Line



Series A-1004 Union Elbow Fitting Line



Series A-1005 Union Tee Fitting Line

MODEL CHART			
Model	T = Tube OD	Model	T = Tube OD
A-1003-1	1/16"	A-1003-8	5/8"
A-1003-2	1/8"	A-1003-9	3/4"
A-1003-3	3/16"	A-1003-10	7/8"
A-1003-4	1/4"	A-1003-11	1"
A-1003-5	5/16"	A-1003-12	1-1/4"
A-1003-6	3/8"	A-1003-13	1-1/2"
A-1003-7	1/2"	A-1003-14	2"

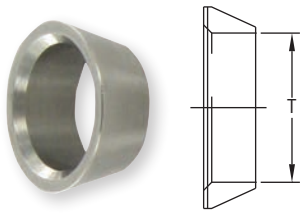
SPECIFICATIONS
Service: Liquid, steam and compatible gases.
Wetted Materials: 316 SS.
Temperature Ranges: See reference Table B. ●
Pressure Ranges: See reference Table A. ●
Connections: 1/16" to 2".
Dimensions: Consult website, or contact factory.

MODEL CHART			
Model	T = Tube OD	Model	T = Tube OD
A-1004-1	1/16"	A-1004-8	5/8"
A-1004-2	1/8"	A-1004-9	3/4"
A-1004-3	3/16"	A-1004-10	7/8"
A-1004-4	1/4"	A-1004-11	1"
A-1004-5	5/16"	A-1004-12	1-1/4"
A-1004-6	3/8"	A-1004-13	1-1/2"
A-1004-7	1/2"	A-1004-14	2"

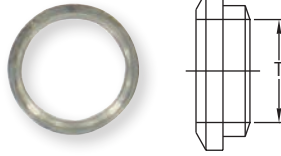
MODEL CHART			
Model	T = Tube OD	Model	T = Tube OD
A-1005-1	1/16"	A-1005-8	5/8"
A-1005-2	1/8"	A-1005-9	3/4"
A-1005-3	3/16"	A-1005-11	1"
A-1005-4	1/4"	A-1005-12	1-1/4"
A-1005-5	5/16"	A-1005-13	1-1/2"
A-1005-6	3/8"	A-1005-14	2"
A-1005-7	1/2"		

● Table B: See page 432 (Introduction to Stainless Steel Fitting Line)
 ● Table A: See page 432 (Introduction to Stainless Steel Fitting Line)

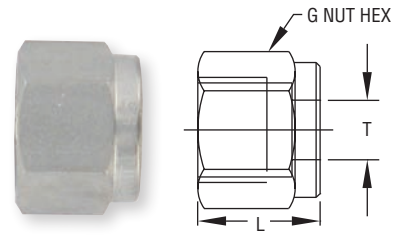
STAINLESS STEEL FITTING LINE



Series A-1006 Front Ferrule Fitting Line



Series A-1007 Back Ferrule Fitting Line



Series A-1008 Nut Fitting Line



Series A-1012 Stainless Steel Fitting Line

MODEL CHART			
Model	T = Tube OD	Model	T = Tube OD
A-1006-1	1/16"	A-1006-8	5/8"
A-1006-2	1/8"	A-1006-9	3/4"
A-1006-3	3/16"	A-1006-10	7/8"
A-1006-4	1/4"	A-1006-11	1"
A-1006-5	5/16"	A-1006-12	1-1/4"
A-1006-6	3/8"	A-1006-13	1-1/2"
A-1006-7	1/2"	A-1006-14	2"

SPECIFICATIONS
Service: Liquid, steam and compatible gases.
Wetted Materials: 316 SS.
Temperature Ranges: See reference Table B. ●
Pressure Ranges: See reference Table A. ●
Connections: A-1006, A-1007, A-1008: 1/16" to 2"; A-1012: 1/8" to 1/2".
Dimensions: A-1008, A-1012: Consult website or contact factory.

MODEL CHART			
Model	T = Tube OD	Model	T = Tube OD
A-1007-1	1/16"	A-1007-8	5/8"
A-1007-2	1/8"	A-1007-9	3/4"
A-1007-3	3/16"	A-1007-10	7/8"
A-1007-4	1/4"	A-1007-11	1"
A-1007-5	5/16"	A-1007-12	1-1/4"
A-1007-6	3/8"	A-1007-13	1-1/2"
A-1007-7	1/2"	A-1007-14	2"

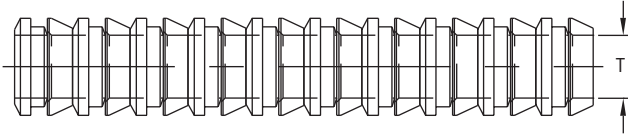
MODEL CHART			
Model	T = Tube OD	Model	T = Tube OD
A-1008-1	1/16"	A-1008-8	5/8"
A-1008-2	1/8"	A-1008-9	3/4"
A-1008-3	3/16"	A-1008-10	7/8"
A-1008-4	1/4"	A-1008-11	1"
A-1008-5	5/16"	A-1008-12	1-1/4"
A-1008-6	3/8"	A-1008-13	1-1/2"
A-1008-7	1/2"	A-1008-14	2"

MODEL CHART		
Model	Hose Barb	T = Tube OD
A-1012-1	1/8"	1/8"
A-1012-2	1/8"	1/4"
A-1012-3	1/4"	1/4"
A-1012-4	1/4"	3/8"
A-1012-6	3/8"	3/8"
A-1012-9	1/2"	1/2"

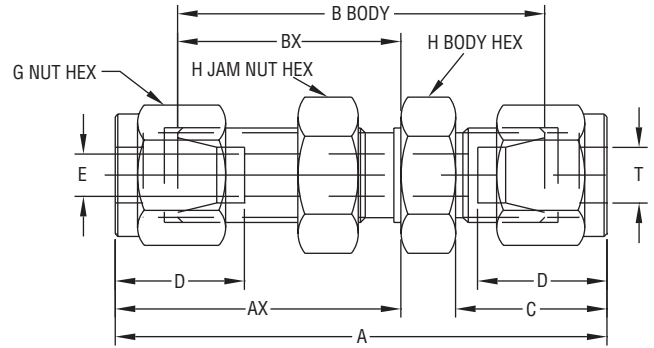
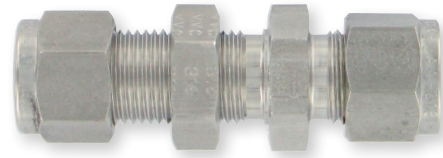
● Table B: See page 432 (Introduction to Stainless Steel Fitting Line)
 ● Table A: See page 432 (Introduction to Stainless Steel Fitting Line)



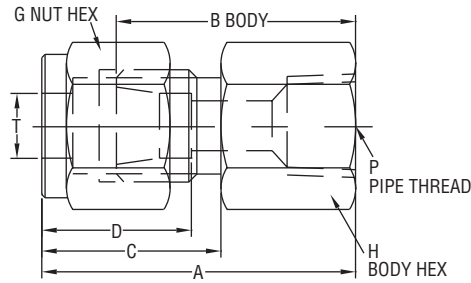
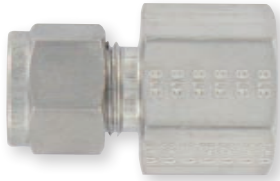
STAINLESS STEEL FITTING LINE



Series A-1009 Ferrule Set Fitting Line



Series A-1010 Bulkhead Union Fitting Line



Series A-1011 Female Connector Fitting Line

MODEL CHART	
Model	T = Tube OD
A-1009-1	1/16"
A-1009-2	1/8"
A-1009-3	3/16"
A-1009-4	1/4"
A-1009-5	5/16"
A-1009-6	3/8"
A-1009-7	1/2"

MODEL CHART	
Model	T = Tube OD
A-1010-1	1/16"
A-1010-2	1/8"
A-1010-3	3/16"
A-1010-4	1/4"
A-1010-5	5/16"
A-1010-6	3/8"
A-1010-7	1/2"
A-1010-8	5/8"
A-1010-9	3/4"
A-1010-10	1"

SPECIFICATIONS
Service: Liquid, steam and compatible gases.
Wetted Materials: 316 SS.
Temperature Ranges: See reference Table B. ●
Pressure Ranges: See reference Table A. ●
Connections: A-1009: 1/16" to 2"; A-1010: 1/16" to 1"; A-1011: 1/16" to 1-1/2".
Dimensions: A-1010, A-1011: Consult website, or contact factory.

MODEL CHART								
Model	T = Tube OD	P = Pipe Thread Male	Model	T = Tube OD	P = Pipe Thread Male	Model	P = Pipe Thread Male	
A-1011-1	1/16"	1/16"	A-1011-12	3/8"	1/8"	A-1011-22	5/8"	1/2"
A-1011-2	1/16"	1/8"	A-1011-13	3/8"	1/4"	A-1011-23	3/4"	1/2"
A-1011-3	1/8"	1/8"	A-1011-14	3/8"	3/8"	A-1011-24	3/4"	3/4"
A-1011-4	1/8"	1/4"	A-1011-15	3/8"	1/2"	A-1011-25	7/8"	3/4"
A-1011-5	3/16"	1/8"	A-1011-16	3/8"	3/4"	A-1011-26	1"	3/4"
A-1011-6	1/4"	1/8"	A-1011-17	1/2"	1/4"	A-1011-27	1"	1"
A-1011-7	1/4"	1/4"	A-1011-18	1/2"	3/8"	A-1011-28	1-1/4"	1-1/4"
A-1011-8	1/4"	3/8"	A-1011-19	1/2"	1/2"	A-1011-29	1-1/2"	1-1/2"
A-1011-9	1/4"	1/2"	A-1011-20	1/2"	3/4"			
A-1011-11	5/16"	1/4"	A-1011-21	5/8"	3/8"			

● Table B: See page 432 (Introduction to Stainless Steel Fitting Line)
 ● Table A: See page 432 (Introduction to Stainless Steel Fitting Line)

STAINLESS STEEL FITTING LINE

Our stainless steel fittings and pipe nipples are made from 304 or 316 SS and are rated at 150 psi.



**A-2018 316 SS
Hose Barb: Male
Pipe Thread**



**A-2019 Cap:
Female Pipe Thread**



**A-2020 Cross:
Female Pipe
Thread**



**A-2021 Coupling:
Female Pipe Thread**



**A-2022 Elbow:
Female Pipe
Thread, 90°**



**A-2023 Elbow: Female
Pipe Thread, 45°**



**A-2024 Reducer
Bushings**

MODEL CHART	
Model	Male NPT x HB
A-2018-1	1/4" x 1/4"
A-2018-2	1/4" x 3/8"

MODEL CHART	
Model	Female NPT
A-2019-1	1/8"
A-2019-2	1/4"
A-2019-3	3/8"
A-2019-4	1/2"
A-2019-5	3/4"
A-2019-6	1"

MODEL CHART	
Model	Female NPT
A-2020-1	1/8"
A-2020-2	1/4"
A-2020-3	3/8"
A-2020-4	1/2"
A-2020-5	3/4"
A-2020-6	1"

MODEL CHART	
Model	Female NPT
A-2021-1	1/8" x 1/8"
A-2021-2	1/4" x 1/4"
A-2021-3	3/8" x 3/8"
A-2021-4	1/2" x 1/2"
A-2021-5	3/4" x 3/4"
A-2021-6	1" x 1"
A-2021-7	1-1/4" x 1-1/4"
A-2021-8	1-1/2" x 1-1/2"
A-2021-9	2" x 2"
A-2021-10	3" x 3"

MODEL CHART	
Model	Female NPT
A-2022-1	1/8" x 1/8"
A-2022-2	1/4" x 1/4"
A-2022-3	3/8" x 3/8"
A-2022-4	1/2" x 1/2"
A-2022-5	3/4" x 3/4"
A-2022-6	1" x 1"
A-2022-7	1-1/4" x 1-1/4"
A-2022-8	1-1/2" x 1-1/2"
A-2022-9	2" x 2"
A-2022-10	3" x 3"

MODEL CHART	
Model	Female NPT
A-2023-1	1/8" x 1/8"
A-2023-2	1/4" x 1/4"
A-2023-3	3/8" x 3/8"
A-2023-4	1/2" x 1/2"
A-2023-5	3/4" x 3/4"
A-2023-6	1" x 1"
A-2023-7	1-1/4" x 1-1/4"
A-2023-8	1-1/2" x 1-1/2"
A-2023-9	2" x 2"
A-2023-10	3" x 3"

MODEL CHART	
Model	Male NPT x Female NPT
A-2024-1	1/4" x 1/8"
A-2024-2	3/8" x 1/4"
A-2024-3	1/2" x 1/4"
A-2024-4	1/2" x 3/8"
A-2024-5	3/4" x 1/4"
A-2024-6	3/4" x 1/2"
A-2024-7	1" x 1/2"
A-2024-8	1" x 3/4"
A-2024-9	1-1/4" x 3/4"
A-2024-10	1-1/4" x 1"
A-2024-11	1-1/2" x 3/4"
A-2024-12	1-1/2" x 1"
A-2024-13	1-1/2" x 1-1/4"
A-2024-14	2" x 1"
A-2024-15	2" x 1-1/4"
A-2024-16	2" x 1-1/2"
A-2024-17	3" x 2"

Fittings,
Stainless Steel



STAINLESS STEEL FITTING LINE



A-2025 Street Elbow:
Female Pipe Thread by Male
Pipe Thread



A-2026 Tee:
Female Pipe Thread



A-2027 Union:
Female Pipe Thread



A-2028 Nipple:
Male Pipe Thread

MODEL CHART	
Model	Female NPT x Male NPT
A-2025-1	1/8" x 1/8"
A-2025-2	1/4" x 1/4"
A-2025-3	3/8" x 3/8"
A-2025-4	1/2" x 1/2"
A-2025-5	3/4" x 3/4"
A-2025-6	1" x 1"
A-2025-7	1-1/4" x 1-1/4"
A-2025-8	1-1/2" x 1-1/2"
A-2025-9	2" x 2"
A-2025-10	3" x 3"

MODEL CHART	
Model	Female NPT
A-2027-1	1/8"
A-2027-2	1/4"
A-2027-3	3/8"
A-2027-4	1/2"
A-2027-5	3/4"
A-2027-6	1"
A-2027-7	1-1/4"
A-2027-8	1-1/2"
A-2027-10	3"

MODEL CHART	
Model	Female NPT
A-2026-1	1/8"
A-2026-2	1/4"
A-2026-3	3/8"
A-2026-4	1/2"
A-2026-5	3/4"
A-2026-6	1"
A-2026-7	1-1/4"
A-2026-8	1-1/2"
A-2026-9	2"
A-2026-10	3"

MODEL CHART			
Model	Male NPT x Length	Model	Male NPT x Length
A-2028-1	1/8" x 3/4"	A-2028-15	3/4" x 2"
A-2028-2	1/8" x 1-1/2"	A-2028-16	1" x 1-1/2"
A-2028-3	1/8" x 2"	A-2028-17	1" x 2"
A-2028-4	1/4" x 7/8"	A-2028-18	1-1/4" x 1-5/8"
A-2028-5	1/4" x 1-1/2"	A-2028-19	1-1/4" x 2"
A-2028-6	1/4" x 2"	A-2028-20	1-1/2" x 1-3/4"
A-2028-7	3/8" x 1"	A-2028-21	1-1/2" x 2"
A-2028-8	3/8" x 1-1/2"	A-2028-22	2" x 2"
A-2028-9	3/8" x 2"	A-2028-23	2" x 2-1/2"
A-2028-10	1/2" x 1-1/8"	A-2028-24	3" x 2-5/8"
A-2028-11	1/2" x 1-1/2"	A-2028-25	3" x 3"
A-2028-12	1/2" x 2"	A-2028-26	4" x 2-7/8"
A-2028-13	3/4" x 1-3/8"	A-2028-27	4" x 4"
A-2028-14	3/4" x 1-1/2"		

Fittings,
Stainless Steel

NYLON FITTINGS

Dwyer Instruments offers a wide variety of nylon and SS fittings. Nylon fittings are generally acceptable for use at working pressures up to 150 psi at normal room temperatures, and at very low pressures, temperatures can approach 175°F.



A-2002 Female Pipe Thread (FPT) by Hose Barb (HB)



A-2005 Elbows: Female Pipe Thread by Male Pipe Thread



A-2007 Tees: Female Pipe Thread



A-2001 Male Pipe Thread (MPT) by Hose Barb (HB)



A-2003 Elbows: Male Pipe Thread by Hose Barb



A-2006 Elbows: Female Pipe Thread-90°



A-2008 Tees: Female Pipe Thread with 1/4" Gauge Port



A-2004 Elbows: Female Pipe Thread by Hose Barb



A-2009 Reducer: Bushings

MODEL CHART	
Model	Male NPT x HB
A-2001-1	1/8" x 3/16"
A-2001-2	1/8" x 1/4"
A-2001-3	1/8" x 5/16"
A-2001-4	1/8" x 3/8"
A-2001-5	1/4" x 3/16"
A-2001-6	1/4" x 1/4"

MODEL CHART	
Model	Female NPT x Male NPT
A-2005-1	1/4" x 1/4"
A-2005-2	3/8" x 3/8"
A-2005-3	1/2" x 1/2"

MODEL CHART	
Model	Male NPT x Female NPT
A-2009-1	3/8" x 1/8"
A-2009-2	3/8" x 1/4"
A-2009-3	1/2" x 1/8"
A-2009-4	1/2" x 1/4"
A-2009-5	1/2" x 3/8"
A-2009-6	3/4" x 1/8"
A-2009-7	3/4" x 1/4"
A-2009-8	3/4" x 3/8"
A-2009-9	3/4" x 1/2"
A-2009-10	1" x 1/2"
A-2009-11	1" x 3/4"
A-2009-13	1-1/4" x 1"
A-2009-14	1-1/2" x 3/4"
A-2009-15	1-1/2" x 1"
A-2009-16	1-1/2" x 1-1/4"
A-2009-17	2" x 3/4"
A-2009-18	2" x 1"
A-2009-19	2" x 1-1/4"
A-2009-20	2" x 1-1/2"

MODEL CHART	
Model	Female NPT x HB
A-2002-1	1/4" x 1/4"
A-2002-2	1/4" x 3/8"
A-2002-3	3/8" x 1/4"
A-2002-4	3/8" x 3/8"

MODEL CHART	
Model	Female NPT x Female NPT
A-2006-1	1/2" x 1/2"
A-2006-2	3/4" x 3/4"
A-2006-3	1" x 1"

MODEL CHART	
Model	Male NPT x HB
A-2003-1	1/8" x 1/4"
A-2003-2	1/8" x 3/8"
A-2003-3	1/4" x 3/16"
A-2003-4	1/4" x 1/4"

MODEL CHART	
Model	Female NPT
A-2007-1	1/4"
A-2007-2	1/2"
A-2007-3	3/4"

MODEL CHART	
Model	Female NPT x HB
A-2004-1	1/8" x 1/4"
A-2004-2	1/4" x 1/4"

MODEL CHART	
Model	Female NPT
A-2008-1	1/2"



NYLON FITTINGS



A-2010 Reducing Nipples:
Male Pipe Thread



A-2011 Nipples: Male Pipe
Thread by Male Pipe Thread



A-2012 Couplings:
Female Pipe Thread



A-2013 Elbows:
Hose Barb



A-2014 Hose Menders
without Center Stop



A-2015 Hose Menders
with Center Stop



A-2016 Tees:
Hose Barb



A-2017 Tees: Male Pipe
Thread by Hose Barb

MODEL CHART	
Model	Male NPT x Male NPT
A-2010-1	1/4" x 1/8"
A-2010-2	3/8" x 1/8"
A-2010-3	3/8" x 1/4"
A-2010-4	1/2" x 1/4"
A-2010-5	1/2" x 3/8"
A-2010-6	3/4" x 3/8"
A-2010-7	3/4" x 1/2"

MODEL CHART	
Model	Female NPT x Female NPT
A-2012-1	1/2" x 1/2"
A-2012-2	3/4" x 3/4"
A-2012-3	1" x 1"

MODEL CHART	
Model	HB x HB
A-2015-1	1/8" x 1/8"
A-2015-2	1/4" x 1/4"

MODEL CHART	
Model	HB (1) x HB (2&3)
A-2016-1	1/4" x 1/4"
A-2016-2	1/4" x 3/8"

MODEL CHART	
Model	Male NPT x Male NPT
A-2011-1	1/8" x 1/8"
A-2011-2	1/4" x 1/4"
A-2011-3	3/8" x 3/8"
A-2011-4	1/2" x 1/2"

MODEL CHART	
Model	HB x HB
A-2013-1	1/4" x 1/4"
A-2013-2	3/8" x 1/4"

MODEL CHART	
Model	Male NPT (1) x HB (2&3)
A-2017-1	1/8" x 1/4"
A-2017-2	1/4" x 1/4"
A-2017-3	1/4" x 3/8"
A-2017-4	1/4" x 1/2"

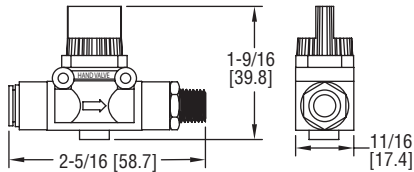
MODEL CHART	
Model	HB x HB
A-2014-1	1/4" x 3/16"
A-2014-2	5/16" x 5/16"

Pneumatic Valves

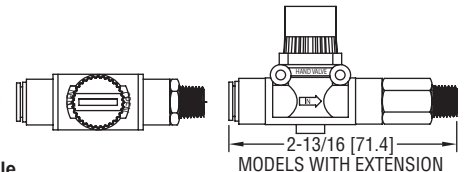
QUICK CONNECT PNEUMATIC VALVES



A-4002 Valves:
Tubing to Male NPT



A-4022 Valves: Tubing to Male
NPT with Extension



MODEL CHART	
Model	Tubing (O.D.) x NPT
A-4002-0	5/32" x 1/8"
A-4002-1	5/32" x 1/4"
A-4002-2	1/4" x 1/8"
A-4002-3	1/4" x 1/4"
A-4002-4	5/16" x 1/8"
A-4002-5	5/16" x 1/4"
A-4002-6	3/8" x 1/8"
A-4002-7	3/8" x 1/4"

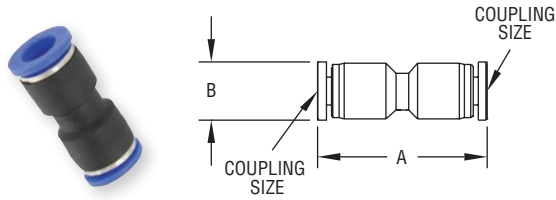
Note: Please contact factory for metric and alternate connection sizes.

MODEL CHART	
Model	Tubing (O.D.) x NPT with Extension
A-4022-2	1/4" x 1/8" with Extension
A-4022-4	5/16" x 1/8" with Extension

Note: Please contact factory for metric and alternate connection sizes.

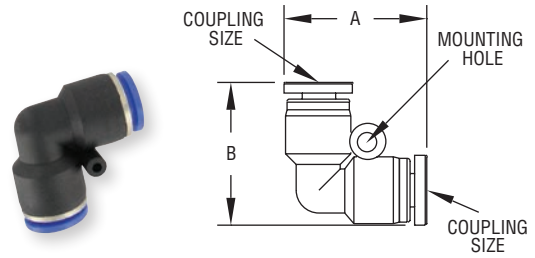
SPECIFICATIONS	
Service: Air (no other gases or liquids).	
Wetted Materials: Polyurethane, polyethylene and nylon.	
Pressure Limits: -29.5 in Hg (-750 mm Hg) to 150 psi (10 bar).	
Temperature Limits: 32 to 140°F (0 to 60°C).	
Weight: A-4002: 1 oz (28 g); A-4022: 1.3 oz (36 g).	

QUICK CONNECT PNEUMATIC FITTINGS



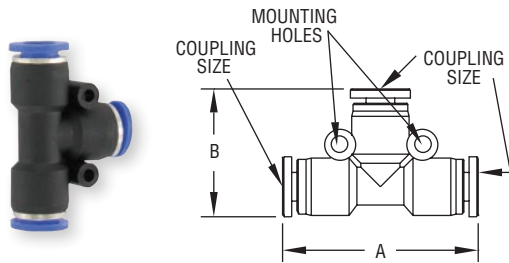
Model	A	B	Model	A	B
A-3025-0	1.33 [33.8]	0.45 [11.5]	A-3029-0	1.33 [33.8]	0.45 [11.5]
A-3025-1	1.38 [35]	0.55 [14]	A-3029-1	1.38 [35]	0.55 [14]
A-3025-2	1.53 [38.9]	0.57 [14.6]	A-3029-2	1.53 [38.9]	0.57 [14.6]
A-3025-3	1.62 [41.1]	0.69 [17.6]	A-3029-3	1.62 [41.1]	0.69 [17.6]

A-3025 Fittings: Quick Coupling Straight
A-3029 Fittings: Quick Coupling Straight Adapter



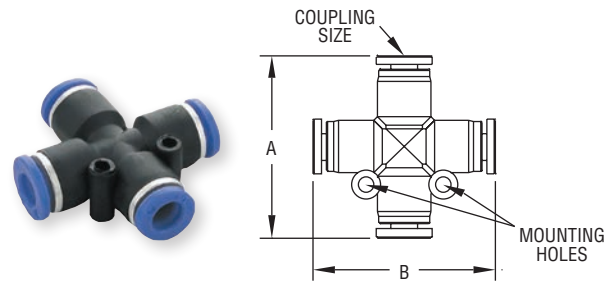
Model	A	B
A-3026-0	0.93 [23.7]	0.93 [23.7]
A-3026-1	1.09 [27.8]	1.09 [27.8]
A-3026-2	1.20 [30.6]	1.20 [30.6]
A-3026-3	1.33 [33.8]	1.33 [33.8]

A-3026 Fittings: Quick Coupling 90 Degree



Model	A	B	Model	A	B
A-3027-0	1.49 [37.8]	0.97 [23.7]	A-3030-0	1.49 [37.8]	0.97 [23.7]
A-3027-1	1.64 [41.6]	1.09 [27.8]	A-3030-1	1.64 [41.6]	1.09 [27.8]
A-3027-2	1.83 [46.6]	1.20 [30.6]	A-3030-2	1.83 [46.6]	1.20 [30.6]
A-3027-3	1.98 [50.4]	1.33 [33.8]	A-3030-3	1.98 [50.4]	1.33 [33.8]

A-3027 Fittings: 3 Way Quick Coupling
A-3030 Fittings: 3 Way Quick Coupling Adapter



Model	A	B
A-3028-0	1.49 [37.8]	1.49 [37.8]
A-3028-1	1.64 [41.6]	1.64 [41.6]
A-3028-2	1.83 [46.6]	1.83 [46.6]
A-3028-3	1.98 [50.4]	1.98 [50.4]

A-3028 Fittings: 4 Way Quick Coupling

MODEL CHART	
Model	Coupling (O.D.) x Coupling (O.D.)
A-3025-0	3/16" x 3/16"
A-3025-1	1/4" x 1/4"
A-3025-2	5/16" x 5/16"
A-3025-3	3/8" x 3/8"
A-3026-0	3/16" x 3/16"
A-3026-1	1/4" x 1/4"
A-3026-2	5/16" x 5/16"
A-3026-3	3/8" x 3/8"
A-3029-0	1/4" x 3/16"
A-3029-1	5/16" x 1/4"
A-3029-2	3/8" x 1/4"
A-3029-3	3/8" x 5/16"

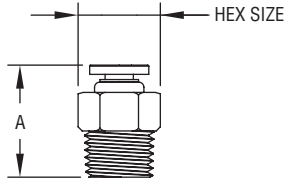
MODEL CHART	
Model	Coupling (O.D.)
A-3027-0	3/16"
A-3027-1	1/4"
A-3027-2	5/16"
A-3027-3	3/8"
A-3028-0	3/16"
A-3028-1	1/4"
A-3028-2	5/16"
A-3028-3	3/8"
A-3030-0*	1/4" x 1/4" x 3/16"
A-3030-1*	5/16" x 5/16" x 1/4"
A-3030-2*	3/8" x 3/8" x 1/4"
A-3030-3*	3/8" x 3/8" x 5/16"

*Please contact factory for metric sizes.

SPECIFICATIONS
Service: Air (no other gases or liquids).
Pressure Limits: -29.5 in Hg (-750 mm Hg) to 150 psi (10.3 bar).
Temperature Limits: 32 to 140°F (0 to 60°C).
Wetted Materials: Polyurethane, polyethylene and nylon.
Weight: 0.4 oz (11 g) to 0.7 oz (19 g).

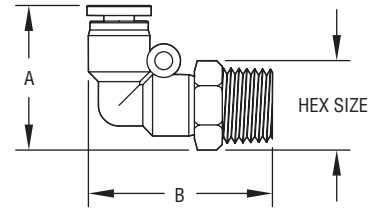


QUICK CONNECT PNEUMATIC FITTINGS



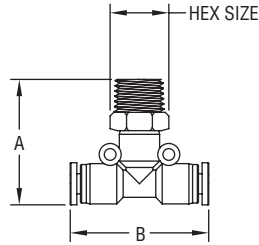
Model	A
A-3021-1	0.79 [20.3]
A-3021-2	0.86 [21.8]
A-3021-3	0.82 [20.9]
A-3021-4	0.88 [22.4]
A-3021-5	1.01 [25.7]
A-3021-6	0.95 [24.2]

A-3021 Fittings: Quick Coupling to NPT Straight



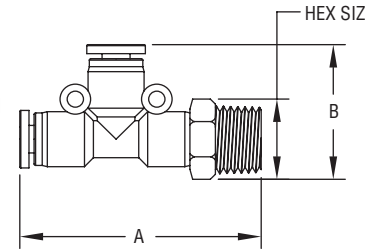
Model	A	B
A-3022-1	0.98 [24.9]	1.26 [32]
A-3022-2	1.02 [25.9]	1.30 [33]
A-3022-3	1.09 [27.7]	1.41 [35.8]
A-3022-4	1.13 [28.8]	1.45 [36.8]
A-3022-5	1.23 [31.3]	1.53 [38.9]
A-3022-6	1.26 [32]	1.57 [39.9]

A-3022 Fittings: Quick Coupling to NPT 90 Degree



Model	A	B
A-3023-1	1.31 [33.3]	1.49 [37.8]
A-3023-2	1.35 [34.3]	1.49 [37.8]
A-3023-3	1.43 [36.3]	1.64 [41.6]
A-3023-4	1.47 [37.3]	1.64 [41.6]
A-3023-5	1.53 [38.9]	1.83 [46.6]
A-3023-6	1.57 [39.9]	1.83 [46.6]

A-3023 Fittings: 3 Way-Quick Coupling by Quick Coupling to NPT



Model	A	B
A-3024-1	1.83 [46.4]	1.02 [25.9]
A-3024-2	1.87 [47.4]	1.06 [26.9]
A-3024-3	1.97 [50.1]	1.09 [27.8]
A-3024-4	2.01 [51.1]	1.13 [28.8]
A-3024-5	2.16 [54.9]	1.23 [31.3]
A-3024-6	2.20 [55.9]	1.26 [32]

A-3024 Fittings: 3 Way-Quick Coupling by NPT to Quick Coupling

MODEL CHART	
Model	Coupling (O.D.) x NPT
A-3021-1	1/4" x 1/8"
A-3021-2	1/4" x 1/4"
A-3021-3	5/16" x 1/8"
A-3021-4	5/16" x 1/4"
A-3021-5	3/8" x 1/8"
A-3021-6	3/8" x 1/4"
A-3022-1*	1/4" x 1/8"
A-3022-2*	1/4" x 1/4"
A-3022-3*	5/16" x 1/8"
A-3022-4*	5/16" x 1/4"
A-3022-5*	3/8" x 1/8"
A-3022-6*	3/8" x 1/4"

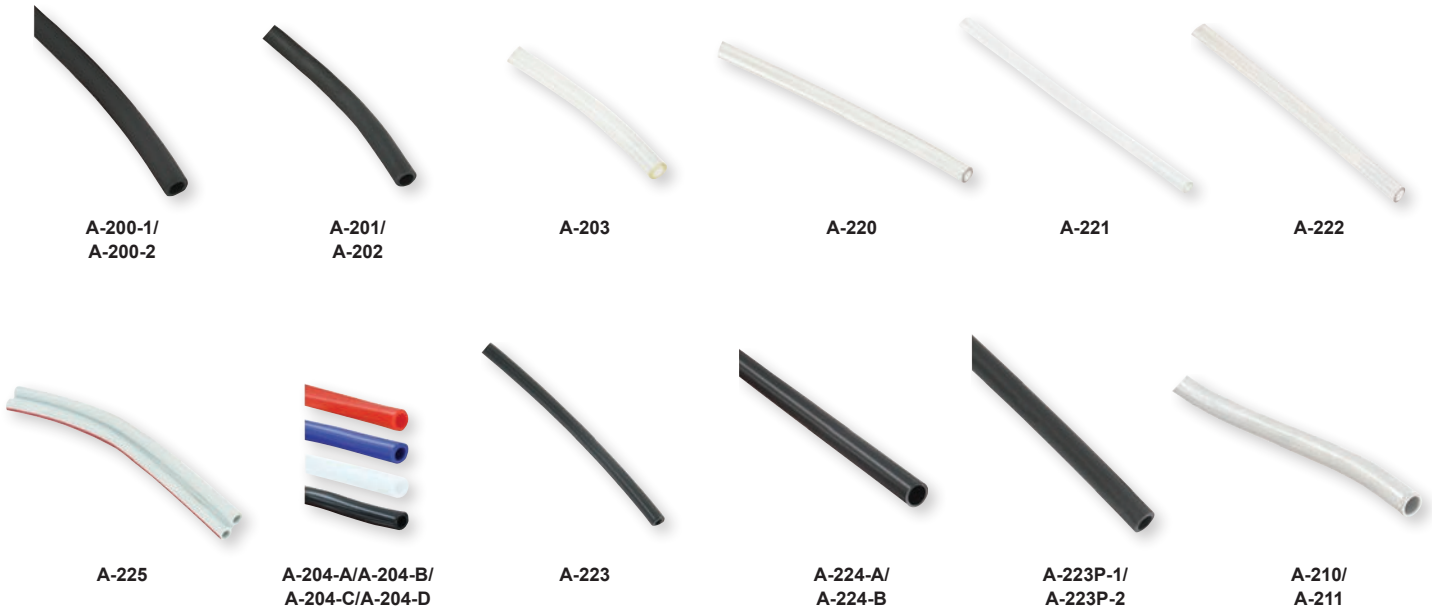
*Please contact factory for metric sizes.

MODEL CHART	
Model	Coupling (O.D.) x NPT x Coupling (O.D.)
A-3023-1	1/4" x 1/4" x 1/8"
A-3023-2	1/4" x 1/4" x 1/4"
A-3023-3	5/16" x 5/16" x 1/8"
A-3023-4	5/16" x 5/16" x 1/4"
A-3023-5	3/8" x 3/8" x 1/8"
A-3023-6	3/8" x 3/8" x 1/4"
A-3024-1*	1/4" x 1/4" x 1/8"
A-3024-2*	1/4" x 1/4" x 1/4"
A-3024-3*	5/16" x 5/16" x 1/8"
A-3024-4*	5/16" x 5/16" x 1/4"
A-3024-5*	3/8" x 3/8" x 1/8"
A-3024-6*	3/8" x 3/8" x 1/4"

*Please contact factory for metric sizes.

SPECIFICATIONS
Service: Air (no other gases or liquids).
Wetted Materials: Polyurethane, polyethylene and nylon. Note: (A-3021 nickel plated brass).
Pressure Limits: -29.5 in Hg (-750 mm Hg) to 150 psi (10.3 bar).
Temperature Limits: 32 to 140°F (0 to 60°C).
Weight: 0.4 oz (11 g) to 0.7 oz (19 g).

GAGE TUBING ACCESSORIES



A-200-1/
A-200-2

A-201/
A-202

A-203

A-220

A-221

A-222

A-225

A-204-A/A-204-B/
A-204-C/A-204-D

A-223

A-224-A/
A-224-B

A-223P-1/
A-223P-2

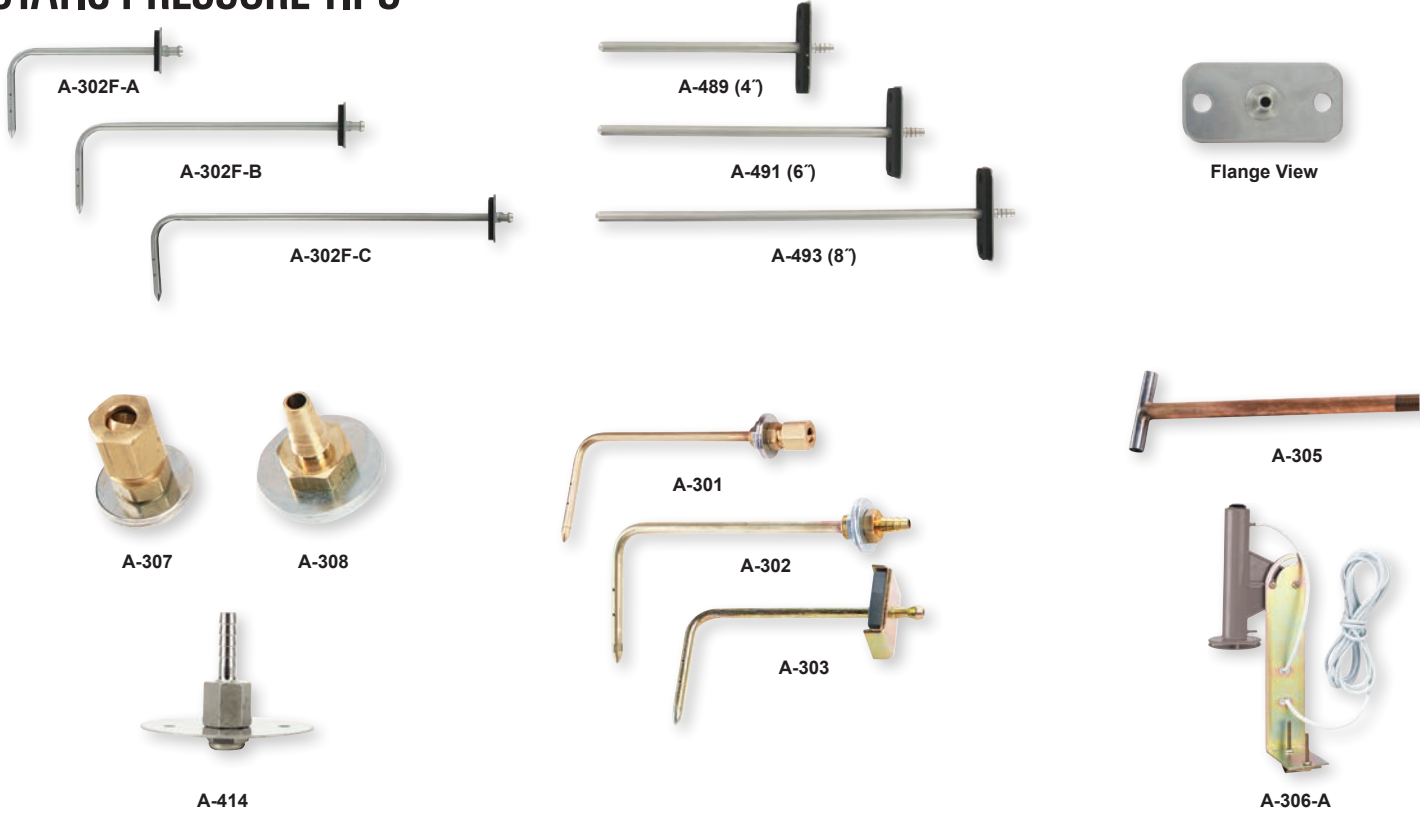
A-210/
A-211

MODEL CHART

Model	Description
Norprene® tubing is useful in a wide range of temperatures from -75 to 275°F (-60 to 135°C) and will not weaken after long term exposure to heat and ozone.	
A-200-1	3/16" ID x 5/16" OD, 13 psi maximum pressure @ 73°F (90 kPa @ 23°C); 50'
A-200-2	1/4" ID x 3/8" OD, 10 psi maximum pressure @ 73°F (69 kPa @ 23°C); 50'
Rubber latex tubing has less tendency to kink in storage and occupies less space, thus is best for portable work.	
A-201	3/16" ID, 9' length
A-202	3/16" ID, lengths to 50'
Clear PVC tubing is easily inspected and is therefore best for test applications where a possibility of fluid entering the tubing exists.	
A-203	1/8" ID x 1/4" OD, lengths to 100'; 60 psi max. pressure @ 73°F (22°C)
Clear flexible vinyl tubing is easily inspected, and is therefore best for test applications where a possibility of fluid entering the tubing exists.	
A-220	3/16" ID x 5/16" OD, lengths to 500'; 45 psi maximum pressure @ 73°F (310 kPa @ 23°C)
A-221	1/8" ID x 3/16" OD, lengths to 500'; 40 psi maximum pressure @ 165°F (276 kPa @ 74°C)
A-222	.240" ID x .375" OD, lengths to 500'; 35 psi maximum pressure @ 73°F (240 kPa @ 23°C)
Flexible double column plastic tubing is used with Mark II manometers and the Wind Speed Indicator. Light gray with red color code stripe.	
A-225	1/8" ID, lengths to 750'
Flexible colored vinyl tubing is quickly distinguishable in applications where more than one line is required aiding installation.	
A-204-A	3/16" ID x 5/16" OD, lengths to 500'; 45 psi maximum pressure @ 165°F (310 kPa @ 74°C); Opaque red
A-204-B	3/16" ID x 5/16" OD, lengths to 500'; 45 psi maximum pressure @ 165°F (310 kPa @ 74°C); Opaque blue
A-204-C	3/16" ID x 5/16" OD, lengths to 500'; 45 psi maximum pressure @ 165°F (310 kPa @ 74°C); Opaque white
A-204-D	3/16" ID x 5/16" OD, lengths to 500'; 45 psi maximum pressure @ 165°F (310 kPa @ 74°C); Opaque black
Black polyethylene tubing offers long life, great stability and resistance to corrosion.	
A-223	1/8" ID x 1/4" OD, 10' length; 200 psi maximum @ 140°F (1379 kPa @ 60°C)
Black nylon tubing is recommended for high temperature and pressure applications. Lengths to 1312 ft; -40 to 248°F (-40 to 120°C).	
A-224-A	0.23" ID x 5/16" OD; 362 psi (2500 kPa) working pressure
A-224-B	0.256" ID x 3/8" OD, 406 psi (2800 kPa) working pressure
Black plenum fire retardent polyethylene tubing meets NFPA standard 90A for installation in air-conditioning and ventilating plenum spaces; also used in building automation systems. Lengths to 500', 100 psig maximum pressure @ 75°F (689 kPa @ 24°C).	
A-223P-1	.17" ID x .25" OD
A-223P-2	1/4" ID x 3/8" OD
Aluminum tubing is recommended for permanent installations.	
A-210	1/4" OD, 5' length, 500 psi maximum pressure @ 200°F (3447 kPa @ 93°C)
A-211	1/4" OD, 50' length, 500 psi maximum pressure @ 200°F (3447 kPa @ 93°C)



STATIC PRESSURE TIPS



MODEL CHART

Model	Description
The stainless steel static pressure tips are used to measure static pressures in ducts or rooms. They are to be connected to differential pressure switches and transmitters. Two static sensors are used in applications where differential pressure is required across a filter or coil. These sensors include a mounting flange with integral rubber gasket and two screws for simplifying mounting on a duct.	
A-302F-A	4" hook style SS static pressure tip with mounting flange
A-302F-B	6" hook style SS static pressure tip with mounting flange
A-302F-C	8" hook style SS static pressure tip with mounting flange
A-489	4" straight SS static pressure tip with mounting flange
A-491	6" straight SS static pressure tip with mounting flange
A-493	8" straight SS static pressure tip with mounting flange
Designed for simplified installation, these are easy to install, inexpensive, and provides accurate static pressure sensing in smooth air at velocities up to 1500 FPM.	
A-307	Static pressure fitting, for 1/4" metal tubing connection
A-307-SS	SS static pressure fitting, for 1/4" metal tubing connection
A-308	Static pressure fitting, for 3/16" and 1/8" ID plastic or rubber tubing
A-414	SS clean room pressure sensor
These static pressure tips are ideal for applications such as sensing the static pressure drop across industrial air filters and refrigerant coils. Here the probability of air turbulence requires that the pressure sensing openings be located away from the duct walls to minimize impingement and aspiration, and thus ensure accurate readings. For a permanent installation of this type, the Dwyer No. A-301 or A-302 static pressure tip is used. It senses static pressure through radially-drilled holes near the tip and can be used in air flow velocities up to 12,000 FPM. The angled tips shown have 4" insertion depth. Each has four radially drilled .040" sensing holes. All except Model A-303 mount in 3/8" hole in duct. For portable use, a magnet holds No. A-303 in place.	
A-301	Static pressure tip, for 1/4" metal tubing connection
A-301-A	Static pressure tip, same as A-301 with 6" insertion depth
A-301-B	Static pressure tip, same as A-301 with 8" insertion depth
A-301-C	Static pressure tip, same as A-301 with 12" insertion depth
A-301-SS	SS static pressure tip, for 1/4" metal tubing connection
A-302	Static pressure tip, for 3/16" and 1/8" ID plastic or rubber tubing
A-302-A	Static pressure tip, same as A-302 with 6" insertion depth
A-303	Portable static pressure tip, for 3/16" ID rubber or plastic tubing with 4" insertion
A-305 low resistance static pressure tip is designed for use in dust-laden air and for rapid response applications. It is recommended where a very low actuation pressure is required for a pressure switch or indicating gage — or where response time is critical.	
A-305	Static pressure tip, low resistance application, furnished with two (2) hex jam nuts and two (2) mounting washers for duct mounting and with 1/8" NPT pipe thread for pressure connection
A-305-SS	SS static pressure tip, low resistance application, furnished with two (2) hex jam nuts and two (2) mounting washers for duct mounting and with 1/8" NPT pipe thread for pressure connection
A-306	Outdoor static pressure sensor. Provides average outdoor pressure signal for reference in building pressurization applications. Includes sensor, 50' vinyl tubing, mounting bracket and hardware. Red sensor
A-306-A	Outdoor static pressure sensor. Provides average outdoor pressure signal for reference in building pressurization applications. Includes sensor, 50' vinyl tubing, mounting bracket and hardware. Gray sensor

STATIC PRESSURE ACCESSORIES



A-465



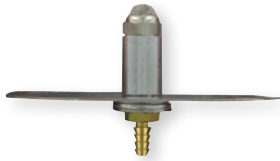
A-417A



A-418E



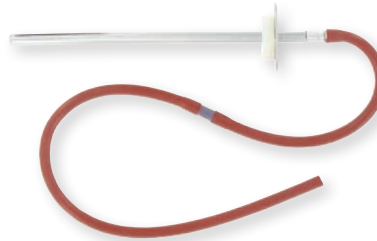
A-418N



A-419A



A-420A



A-421



Surge Damper

MODEL CHART

Model	Description
A-465	Static pressure pick-up provides a clean solution for sensing space pressure. The sensor can be mounted on sheet-rock walls, single gang electrical boxes, or on ceiling tiles. Molded from ABS plastic, the A-465 provides an integral barb fitting and includes tubing, mounting screws and anchors.
A-417A	Static pressure pickup. For use in clean rooms, 60 micron filter picks up static pressure. Stainless steel wall plate fits 2" x 4" electrical box. Sealed with foam gasket, screws included. Barbed brass fitting holds 1/8" to 3/16" ID tubing.
A-418E	Static pressure pickup. Room mount with plastic enclosure fits 2" x 4" electrical box. Fine mesh screen hides static pressure pickup port. Clean connection to 1/8" to 3/16" ID tubing and pressure sensor. Sealed with foam gasket, screws included.
A-418N	Static pressure pickup. Room mount with plastic enclosure fits 2" x 4" electrical box. Fine mesh screen hides static pressure pickup port. Clean connection to 1/8" to 3/16" ID tubing and pressure sensor. Sealed with foam gasket, screws included.
A-419A	Static pressure pickup ceiling mount. Plate rests on top of standard 3/4" thick ceiling tile while 60 micron filter faces down through 5/8" hole in tile. Filter is barely noticeable in room being monitored. Unit mounts to junction box. Barbed brass fitting holds 1/8" to 3/16" ID tubing.
A-420A	Static pressure pickup for roof or outside mount. Reduces effects of wind gusts to keep pressure readings stable when plate is parallel to ground. Structure withstands harsh environmental elements. Structure is 3-1/4" across and 2-3/8" deep. EMT Conduit fitting is 1/2". Pressure connection is brass barbed fitting for 1/8" and 3/16" ID tubing.
A-421	Static pressure tip measures duct static air pressure. Assembly includes 6" probe, silicon rubber hose, and screws. Built-in surge damper ensures stable readings on pressure sensor. Pressure spike reducer can be added to end of tube to further smooth over pressure fluctuations.



ACCESSORIES - FITTINGS & FILTERS



MODEL CHART	
Model	Description
A-324	Elbow compression fitting, brass 1/8" NPT to 1/4" metal tubing
A-326	Compression fitting, brass 1/8" NPT to 1/4" metal tubing
A-326	Compression fitting, brass 1/8" NPT to 3/8" tubing
A-327	5/16" nylon tube union
A-328	1/4" nylon tube union
A-329	1/8" NPT close coupled street ell, brass
A-330	1/8" pipe plug, socket hex, plated steel
A-331	1/8" NPT filter vent plug, nylon and sintered metal
A-332	Bushing, brass, 1/8" to 1/4" NPT
A-333	Bushing, brass, 1/8" to 1/2" NPT
A-334	Close nipple, brass, 1/8" NPT
A-336	90° street L, brass, 1/8" NPT
A-337	Coupling, brass, 1/8" NPT
A-338	Serve adapter, brass 3/8" and 5/16" N.F. threads for gas appliances to 1/8" and 3/16" ID rubber or plastic tubing
A-339	Adapter, brass, 1/8" NPT to 3/16" rubber and 1/8" ID plastic tubing
A-340	Adapter, nylon, 1/8" NPT to 3/16" ID rubber or 1/4" plastic tubing
A-342	"T" assembly, plastic, for 3/16" ID rubber or 1/4" plastic tubing
A-343	"T" assembly, plastic, for 3/16" plastic tubing
A-343-1	"T" assembly, plastic, for 1/8" ID plastic tubing
A-344	Terminal tube, brass 1/4" diameter tube, 8" L (not shown)
A-345	Flange, aluminum with gasket and sheet metal screws, 1/8" NPT
A-346	"T" compression fitting, brass, 1/4" metal tubing
A-349	Reducer, brass, 1/4" female NPT to 1/8" male NPT
A-385	1/2" plastic hole plugs 20/bag
A-386	5/16" metal hole plugs 20/bag
A-391	Line filter for Capsuhelic® gage, 1/4" female NPT X 1/4" male NPT
A-392	Line filter for Magnehelic® gage, 1/8" female NPT x 1/8" male NPT
A-398	Probe extension adapter for series 640 air velocity transmitter, brass, 1/2" female NPT x 5/16" compression

ACCESSORIES - VALVES & CONNECTORS



MODEL CHART	
Instrument valves for permanent installation. They mount in part A-316, A-317, type C manometer connections or Magnehelic® gage and connect to metal tubing or 1/8" pipe.	
Model	Description
A-310A	3-way vent valve, plastic, 1/8" NPT to 1/4" metal tubing. Positions are: (1) Line: Gage connected to pressure source. (2) Off: Both gage and connection to pressure source closed. (3) Vent: Gage vented to atmosphere and connection to pressure source closed. 80 psi rating. Replaces former model A310 (brass)
A-310B	Same as A-310A but with 10 psi rating
A-311	Shut off valve, brass, 1/8" NPT to 1/8" NPT
A-312	Shut off valve, brass, 1/8" NPT to 1/4" metal tubing
A-5001-1	PVC 1/8" hose barb inlet x 1/8" hose barb outlet x 1/8" hose barb outlet (125 psi maximum)
A-5002-2	PVC 1/4" hose barb inlet x 1/4" hose barb outlet x 1/4" hose barb outlet (125 psi maximum)
A-5003-3	PVC 1/8" female NPT inlet x 1/8" female NPT outlet x 1/8" female NPT outlet (125 psi maximum)
A-5003-5	PVC 1/8" male NPT inlet x 1/8" female NPT outlet x 1/8" female NPT outlet (125 psi maximum)
A-5004-4	PVC 1/4" female NPT inlet x 1/4" female NPT outlet x 1/4" female NPT outlet (125 psi maximum)
A-5004-6	PVC 1/4" male NPT inlet x 1/4" female NPT outlet x 1/4" female NPT outlet (125 psi maximum)
A-5005-3	PVC 1/8" female NPT inlet x 1/8" male NPT outlet x 1/8" male NPT outlet (125 psi maximum)
A-5006-4	PVC 1/4" female NPT inlet x 1/4" male NPT outlet x 1/4" male NPT outlet (125 psi maximum)
A-355	Porting valve, acrylic plastic, 1/8" NPT inserts. Used for convenient indication of pressure at two points with a single gage
A-365	Dual porting valve, acrylic plastic, 1/8" NPT fittings. For monitoring three pressures, two at a time, with one gage

MODEL CHART	
Gage Connectors for Manometers. Molded nylon construction, threaded .786 x 27 N.S., with O-ring seal.	
Model	Description
A-315	Gage connector, shut off type, for 3/16" rubber tubing
A-316	Gage connector, bushing, 1/8" pipe thread opening
A-317	Gage connector, 1/8" pipe thread opening, less OD thd., for slip fit in 3/4" dia. opening in 250 series A.F. gages
A-318	Gage connector 1/4" pipe thread opening
A-319	Flexible red P.V.C. connector, 3/16" ID rubber tubing to 1/4" ID plastic tube for 1221, 1222 and 1227 manometers
A-321	Brass safety relief valve protects Magnehelic® or Photohelic® gage against over pressure due to regulator failure etc. Opens at 10 psi. Mounts in tee fitting in sensing line or in unused gage port with addition of A-349 reducer. 1/4" male NPT (Use two for D.P. application)
A-322	Gage connector for 1/4" tubing. Slip fits in 3/4" opening in 250 series A.F. gages (compression nut and ferrule not included)

ACCESSORIES - GAGE FLUIDS



MODEL CHART	
Model	Description
Red gage fluid, .826 sp. gr. The standard fluid for use in inclined manometers, "D" type vertical manometers and all Dwyer gages using red fluid.	
A-101	1 oz unbreakable plastic dispenser bottle
A-102	4 oz plastic bottle with screw cap
A-103	1 pt plastic bottle with screw cap
A-104	1 qt plastic bottle with screw cap
Blue gage fluid, 1.910 sp. gr. For special instruments and Mark II Models 26 and 28.	
A-110	1 oz unbreakable plastic dispenser bottle
A-111	1 pt plastic bottle with screw cap
Violet gage fluid, 1.000 sp. gr. Use in place of water if better meniscus is desired.	
A-120	1 oz unbreakable plastic dispenser bottle
A-121	4 oz plastic bottle with screw cap
A-122	1 pt plastic bottle with screw cap
Fluorescein green color concentrate, water coloring agent. Not to be used full strength. Add 3/4 oz to a quart of distilled water. Contains a wetting agent to improve the meniscus characteristics. Use in vertical manometers only.	
A-126	1 oz unbreakable plastic dispenser bottle
Caution: Use only Dwyer fluids in Dwyer gages.	

ACCESSORIES - MISCELLANEOUS



MODEL CHART	
Model	Description
A-298	Flat aluminum bracket for flush mounting Capsuhelic® gage, 603A, 605, and 3000MR
A-299	Mounting bracket, flush mount Magnehelic® gage in bracket, bracket is then surface mounted, steel with gray hammertone epoxy finish
A-300	Flat aluminum bracket for flush mounting Magnehelic® gage
A-351	Pinch clamp to seal rubber tubing, as in a leakage test
A-352	Magneclip, slip on magnetic holder for acrylic plastic gages, per pair
A-353	Magnetic mounting, flat style, secures to flowmeter, etc. with 6-32 machine screw and boots insert
A-354	Magnetic mounting, edge style, secures edge of acrylic manometer with 10-32 machine screw and boots insert
A-356	Gage plug with retainer loop, polyethylene plastic, for 1/4" ID tubing, slip loop over tubing OD and insert plug for seal
A-357	Thermometer and terminal tube holder, SS wire
A-360	Aluminum DIN rail, 1 m
A-362	Stand-hang bracket, aluminum, for Minihelic® II gage
A-363	Scale clamp bar for 1221 manometer
A-364	Magnet assembly for 1222 manometers, 2 required (3 required for 1222-36 and M-1000)
A-366	Manometer cleaning brush 1/4" OD x 2-1/8" long, attach to wire for use
A-368	Surface mounting plate, aluminum, for Magnehelic® gage
A-369	Stand-hang bracket, aluminum, for Magnehelic® gage
A-370	Mounting bracket, flush mount Capsuhelic® gage or Series 631B transmitter in bracket, bracket is then surface mounted, steel with gray hammertone epoxy finish
A-371	Surface mounting bracket, use with Photohelic® gage on horizontal or vertical surfaces, also for Capsu-Photohelic® gages on vertical only
A-395	Surface mounting bracket for Series 4000 Capsuhelic® gages, steel with gray hammertone epoxy finish
A-397	Rugged step drill quickly provides true round holes in thin materials, ideal for installation of Dwyer pitot tubes in sheet metal duct, no centerpunch needed to steel, drills 3/16" through 1/2" holes in 1/16" increments
A-464	Flush mount kit for Magnehelic® gages
A-465	Flush mount space pressure sensor
A-497	Surface mounting bracket for Minihelic®II gage, steel with satin black finish

ACCESSORIES - KITS FOR AIR FILTER SWITCHES



MODEL CHART	
Model	Description
A-602	Air filter kit, accessory package for using switch without a gage includes two pressure tips with integral compression fittings, two 5' lengths of 1/4" aluminum tubing and two 1/8" NPT to 1/4" tubing compression fittings
A-603	"T" kit, accessory package for using pressure switch in conjunction with an air filter kit equipped Magnehelic® or Series 250 AF gages includes two 1/8" NPT to 1/4" tubing compression fittings and two compression tees
A-604	"T" kit, accessory package for using pressure switch in conjunction with Mark II gages, includes two plastic tubing connector tees and two plastic tubing to 1/8" NPT adapters

GLOSSARY

Absolute Pressure (psia): The total force per unit area exerted by a fluid. The sum of atmospheric and gage pressures.

Accuracy: The degree to which an observed value matches the actual value of a measurement over a specified range.

Alternating Current (AC): Current that reverses polarity at a uniform frequency.

ANSI: The American National Standards Institute is a private nonprofit organization that oversees the development of voluntary consensus standards for products, services, processes, systems, and personnel in the United States.

ASTM: (Formerly known as The American Society for Testing and Materials) An international standards developing organization that develops and publishes voluntary technical standards for a wide range of materials, products, systems, and services.

Atmospheric Pressure: The force exerted per unit area by the weight of the atmosphere.

British Thermal Unit (BTU): The amount of heat required to raise the temperature of one pound of water by one degree Fahrenheit. Melting a pound of ice at 32°F requires 143 BTU.

BSPT: British Standard Pipe Thread.

Capacitance: A measure of the amount of electric charge stored (or separated) for a given electric potential. The most common form of charge storage device is a two-plate capacitor.

Cavitation: The process where vapor bubbles in a flowing liquid collapse inside a control valve as the pressure begins to increase.

Closed Loop: A control system that provides feedback to a controller on the state of the process variable.

Cold Junction: The end of thermocouple that is kept at a constant temperature in order to provide a reference point.

Contacts: Elements used to mechanically make or break an electric circuit.

Critical Pressure: The ratio of upstream to downstream pressure where the gas velocity out of the valve is sonic and further decreases in downstream pressure no longer increase the flow.

Cv or Valve Flow Coefficient: The number of US gallons per minute of water at 60°F that will pass through the valve with a pressure drop of 1 psi.

Deadband: The value of measurement between when a switch actuates and deactuates.

Density: The mass of a given substance per unit volume.

Derivative Control: A method of changing the output of a controller in proportion to the rate of change of the process variable.

Dewpoint: The temperature to which air must be cooled for the air to be saturated with water.

Dielectric: The insulating material between the conductors of a capacitor.

Dielectric Constant: The ratio of the insulating ability of a material to the insulating ability of vacuum.

DIN: Deutsches Institut für Normung e.V., The German national organization for standardization and is that country's ISO member body. DIN and mini-DIN connectors, as well as DIN rails are several examples of older DIN standards that are today used around the world.

Direct Current (DC): A current with a constant polarity.

Double Pole Double Throw (DPDT) Switch: Two separate switches that operate simultaneously, each with a normally open and a normally closed contact and a common connection.

Drift: A gradual change in an element over time when the process conditions are constant.

Dry Bulb Temperature: The ambient air temperature measured by a thermometer that is freely exposed to the air but shielded from other heating or cooling effects.

Emissivity: The ratio of energy radiated by the material to energy radiated by a black body at the same temperature. It is a measure of a material's ability to absorb and radiate energy.

Form-C Contact: A contact that has both normally open and normally closed contacts.

Fuzzy Logic: A system that uses mathematical or computational reasoning based on fuzzy sets derived from analog inputs.

Gage Pressure (psig): The measure of force per area exerted by a fluid using atmospheric pressure as the zero reference.

Gain: The ratio of change in output to the change in input of a process.

Hot Junction: The joined end of the thermocouple that is exposed to the process where the temperature measurement is desired.

Humidity: The amount of water vapor in a given volume of air or gas.

Hydrostatic Pressure: The pressure due to the head of a liquid column.

Hysteresis: A property of a device or instrument whereby it gives different output values in relation to its input values, depending on the directional sequence in which the input values have been applied [IEC 61298-2]

Impedance: The opposition in an electric circuit to the flow of an alternating current consisting of inductive reactance, ohmic resistance and capacitive reactance.

Inaccuracy: Maximum positive and negative deviation from the specified characteristic curve observed in testing a device under specified conditions and by a specified procedure [IEC 61298-2]

Note 1: Accuracy is defined in IEC 60050-300, definition 311-06-08.

Note 2: The term inaccuracy is sometimes referred to as measured accuracy. This term should not be used.

Inductive Load: Current passing through wound or coiled wire creates a magnetic field that in turn produces mechanical work.

Integral Control: A method of changing the output of a controller by an amount proportional to the error and the duration of that error.

Laminar Flow: Smooth fluid flow that has a parabolic flow profile with no mixing between streamlines.

Linearity: Ability of a measuring instrument to provide an indication having a linear relationship with a defined quantity other than an influence quantity. [IEC 60050-300]

Note: The method of expression of lack of linearity is different for different kinds of instruments and is established in each particular instance.

Long-Term Span Drift: The amount of change of a measured reading with 90% of full scale range pressure applied and constant ambient conditions over a given period of time which is typically quoted as an annual figure. [IEC 61298-2]

Long-Term Zero Drift: The amount of change of a measured reading with zero pressure applied and constant ambient conditions over a given period of time which is typically quoted as an annual figure.

Low Pressure Steam: As defined by ASME, steam under 15 psi pressure.

Manual Reset: A control that must have human input before it will return to its normal state from an alarm state.

GLOSSARY

Maximum Surge Pressure: Safe pressure for the switch housing but which may damage the mechanism by continuous or repetitive application.

NEMA: The National Electrical Manufacturers Association, a trade association in the US of electrical equipment manufacturers that develops many industry technical standards in particular is the standard for electrical equipment enclosures.

NIST: The National Institute of Standards and Technology, is a non-regulatory agency of the United States Department of Commerce's Technology Administration. The institute provides standard references and calibration services.

Non-Linearity: Deviation from linearity [IEC 61298-2]

Note 1: Linearity is defined in IEC 60050(300), definition 311-06-05.

Note 2: Non-linearity does not include hysteresis.

Non-Repeatability: Deviation from repeatability [IEC 61298-2]

Note 3: Repeatability is defined in IEC 60050(300), definition 311-06-06.

Normally Closed Switch: A switch in which the contacts are normally closed. Actuation opens the contact.

Normally Open Switch: A switch in which the contacts are normally open. Actuation closes the contacts.

NPT: National Pipe Thread.

NSF: A not-for-profit, non-governmental organization that develops standards and provides product certification and education in the field of public health and safety.

Null Switch: A floating contact switch with a zone of no contact. Often used to operate reversible motors.

pH: An indication of the acidity or alkalinity of a solution in units ranging from 0 (most acidic), to 7 (neutral), to 14 (most alkaline).

Pressure Drop: The difference in upstream and downstream pressure of the fluid flowing through a valve.

Proportional Control: A method of changing the output of a controller by an amount proportional to the error.

Proportional-Integral Control (PI): Proportional and integral control combined.

Proportional-Integral-Derivative Control (PID): Proportional, integral, and derivative control combined.

Range: The span of rates within which the sensing element of a given switch can be set to actuate an electric switch.

Rated Pressure: The maximum pressure that the actuating components of the switch in contact with the media can withstand continuously and/or repeatedly without risk of permanent damage.

Relative Humidity: The ratio of the quantity of water vapor in the air to the quantity of water vapor required for saturation at the same temperature.

Repeatability: The closeness of agreement between the results of successive measurements of the same measured, carried out under the same conditions of measurement, i.e.: by the same measurement procedure; by the same observer; with the same measuring instruments, used under the same conditions; at relatively short intervals of time. [IEC 60050-300]

Repetitive Accuracy: The ability of a switch to operate repetitively at its set point under consistent conditions.

Response Time: The time it takes an element to respond to a change in the value of the measured variable or to produce a change in the output signal.

Rotameter: A variable area flowmeter consisting of tapered tube and a float.

RS-232: (Recommended Standard 232) is a standard for serial binary data signals connecting between a DTE (Data Terminal Equipment) and a DCE (Data Circuit-terminating Equipment).

RS-485: (Now known as EIA-485) is an OSI model physical layer electrical specification of a two-wire, half-duplex, multipoint serial connection.

Saturation Point: The point at which condensation is formed.

Serial Transmission: Sending one bit at a time on a single transmission line.

Set or Actuation Point: The exact rate which will cause the electric switch to actuate.

Single-Pole Single Throw (SPST) Switch: A switch that only has one of either a normally open or a normally closed contact.

Single-Pole Double-Throw (SPDT) Switch: A switch combining both normally open and normally closed switch contacts.

Solid State: Any element that controls current without moving parts, vacuum gaps or heated filaments.

Span: The difference between the highest and lowest numbers in a range.

Span Temperature Coefficient: The maximum amount the span reading could change at any point within the compensated temperature range. This error is typically expressed as a percentage of full scale output of reading. It can also be expressed as percentage of full scale per °C, °F or K e.g. $\pm 0.02\%FS/^\circ C$.

Specific Gravity: The ratio of the density of a fluid to the density of a reference fluid.

Static Pressure: The pressure exerted by a fluid at rest. The outward push of a fluid against the walls of a container.

Temperature Compensation: The correction for the influence of temperature on a measurement.

3-A: 3-A Sanitary Standards Inc., A non-profit association representing equipment manufacturers, processors, regulatory sanitarians, and other public health professionals that creates standards and accepted practices for dairy and food processing equipment and systems.

Total Pressure: The sum of velocity and static pressure.

Transducer: Any device that generates an electrical signal from physical measurements.

Transmitter: A device that translates the low-level output of a sensor or transducer to a higher level signal suitable for transmission to a site where it can be further processed.

Turbulent Flow: Fluid flow in which the flow profile is a flattened parabola, the streamlines are not present, and the fluid is freely mixing.

Turndown Ratio: The ratio of the maximum to minimum measurable value that can still produce full-scale output.

Velocity Pressure (Dynamic Pressure): The pressure exerted by the velocity of a fluid. Can be measured by the difference between total and static pressure.

Viscosity: The resistance of a fluid to flow when subjected to shear stress.

Wet Bulb Temperature: The lowest temperature that can be obtained through the cooling effect of water evaporating into the atmosphere.

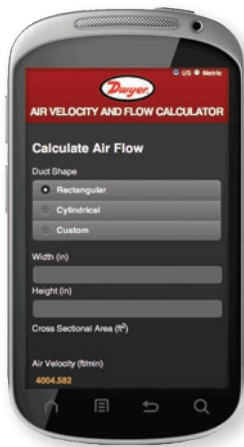
Zero Temperature Coefficient: The maximum amount the output reading at zero pressure might deviate over the compensated temperature range. This error is typically expressed as a percentage of full scale output of reading. It can also be expressed as percentage of full scale per °C, °F or K e.g. $\pm 0.02\%FS/^\circ C$.

HVAC MOBILE APPLICATION

For those customers in the HVAC or Building Automation Systems Industry, Dwyer offers the Air Velocity and Flow Calculator App available on the iOS® and Google Play® Markets. One can easily convert velocity pressure to air velocity or air velocity to air volume. Converting velocity pressure to air volume is advantageous for effortlessly changing the pressure on your Magnehelic® Differential Pressure Gage or manometer to velocity. Moreover, this Calculator also includes air density factors from humidity levels. By utilizing the air velocity to air volume functionality, one can simplistically convert the air velocity to air flow rates from duct dimensions, with just the tap of a button.

Download the phone App or use the Web version of our Air Velocity and Flow Calculator on our website at: www.dwyer-inst.com/flowcalc.

FREE DOWNLOAD!



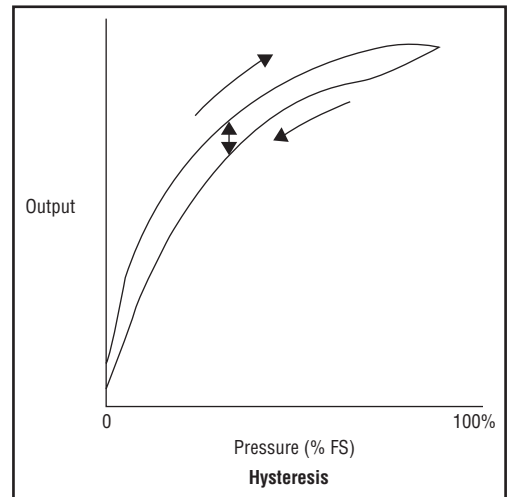
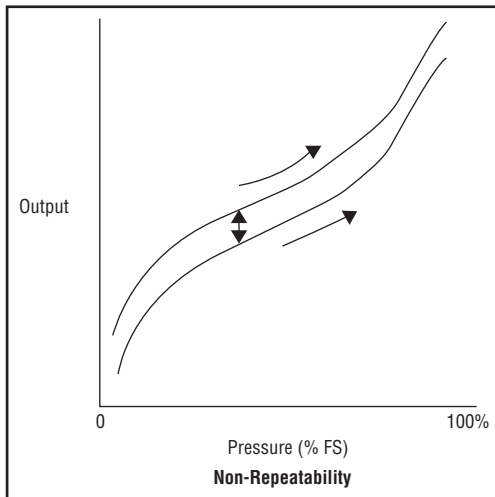
PRESSURE SENSOR ACCURACY



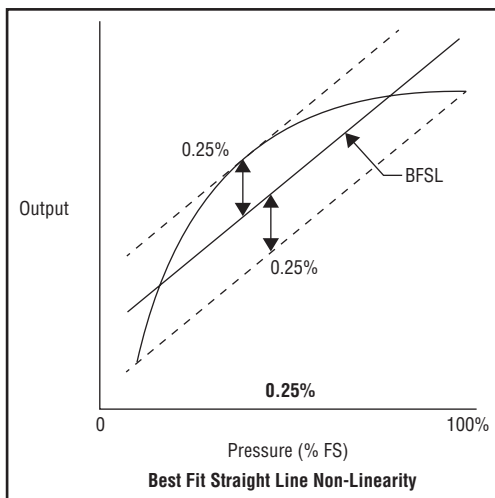
Scan here to watch product video

What is accuracy? The International Electrotechnical Commission (IEC) definition of accuracy is maximum positive and negative deviation from the specified characteristic curve observed in testing a device under specified conditions and by a specified procedure. Unfortunately when it comes to defining accuracy for a pressure sensor it's more complicated. Accuracy has a large effect on the cost of a pressure sensor or even more important, the quality or efficiency of the process it is measuring. It is important to understand what factors determine accuracy and what questions to ask when selecting a sensor so that an apples-to-apples comparison can be made instead of apples-to-oranges.

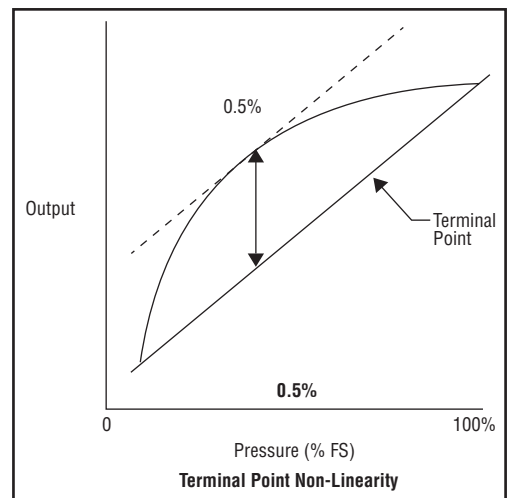
Even though there isn't a defined standard for pressure sensor accuracy there is an IEC standard that defines factors that make-up accuracy. IEC 61298-2 states that accuracy must include Hysteresis, Non-Repeatability and Non-Linearity. Non-Repeatability and Hysteresis are well defined. Hysteresis is the maximum difference in sensor output at a pressure when that pressure is first approached with pressure increasing and then approached with pressure decreasing during a full span pressure cycle. Non-Repeatability is the maximum difference in output when the same pressure is applied, consecutively, under the same conditions and approaching from the same direction.



Where manufactures start to differentiate is with Non-Linearity. IEC 61298-2 lists three methods of Non-Linearity, the two most popular methods used by sensor manufactures are the Best Fit Straight Line Non-Linearity and Terminal Point Non-Linearity. Usually the method of non-linearity used will be specified with the sensors accuracy as BFSL or Terminal Point Method. Why is it important to understand the difference between these two methods? Based on the Non-linearity characteristics of a sensor, it could have two vastly different Non-Linearity percentages. The following diagram shows how the same sensor can have two Non-linearity percentages.



=



PRESSURE SENSOR ACCURACY

IEC 61298-2 identifies which factors make up accuracy (Non-Linearity, Non-Repeatability, Hysteresis) but the IEC standard does not specify how these factors are combined into a single accuracy. The methods in which the values are combined have a substantial impact on the total accuracy. Some manufactures simply sum the three factors while others use mathematical equations such as Root of the Sum Squared or Root of the Mean Squared to combine Non-Linearity, Non-Repeatability, and Hysteresis into a total accuracy percentage. The following examples show how the same transmitter can have three accuracy percentages depending on which equation is used.

Non-Linearity – 0.5% BFSL
 Non-Repeatability – 0.05% FS.
 Hysteresis – 0.1% FS.

$$RSS = \sqrt{(Non-Linearity)^2 + (Hysteresis)^2 + (Non-Repeatability)^2}$$

$$RSS = \sqrt{(0.50)^2 + (0.10)^2 + (0.05\%)^2}$$

RSS = 0.51%

Root of the Sum Squared

$$RMS = \sqrt{\frac{(Non-Linearity)^2 + (Hysteresis)^2 + (Non-Repeatability)^2}{3}}$$

$$RMS = \sqrt{\frac{(0.50)^2 + (0.10)^2 + (0.05\%)^2}{3}}$$

RMS = 0.30%

Root of the Mean Squared

Sum = Non-Linearity + Hysteresis + Non-Repeatability
 Sum = 0.5 + 0.1 + 0.05
 Sum = 0.65%
 Summed Factors

So why is this important? Accuracy has a price. The cost of a pressure sensor is a function of its accuracy, the more accurate the sensor the more expensive it will be. From a manufacturing point of view, the wrong sensors can cause expensive quality or efficiency problems. That is why it is important to understand how manufacturers calculate accuracy and recognize what parameters to look at when comparing pressure sensors. By understanding how manufacturers calculate accuracy, you will be able to make a more informed decision when evaluating pressure sensors. Ensuring the next sensor you select will have the required accuracy at the right price for the application.

REFERENCE TABLES

AREA OF CIRCLES IN FT ²			
Diam. in Inches	Area Square Feet	Diam. in Inches	Area Square Feet
1	.0054	30	4.909
1-1/2	.0123	31	5.241
2	.0218	32	5.585
2-1/2	.0341	33	5.940
3	.0491	34	6.305
3-1/2	.0668	35	6.611
4	.0873	36	7.069
4-1/2	.1105	37	7.467
5	.1364	38	7.876
5-1/2	.1650	39	8.296
6	.1964	40	8.727
6-1/2	.2305	41	9.168
7	.2673	42	9.621
7-1/2	.3068	43	10.08
8	.3491	44	10.56
8-1/2	.3940	45	11.04
9	.4418	46	11.54
9-1/2	.4923	47	12.05
10	.5454	48	12.57
11	.6600	49	13.10
12	.7854	50	13.64
13	.9218	51	14.19
14	1.069	52	14.75
15	1.227	53	15.32
16	1.396	54	15.90
17	1.576	56	17.10
18	1.767	58	18.35
19	1.969	60	19.63
20	2.182	62	20.97
21	2.405	64	22.34
22	2.640	66	23.76
23	2.885	68	25.22
24	3.142	70	26.73
25	3.409	72	28.27
26	3.687	74	29.87
27	3.976	76	31.50
28	4.276	78	33.18
29	4.587	80	34.91

ALTITUDE PRESSURE TABLE		
Mercury at 0°C (32°F)		
Altitude in feet	Inches of Mercury	In Millimeters of Mercury
-1,000	31.02	787.9
0	29.921	760.0
1,000	28.86	732.9
2,000	27.82	706.6
3,000	26.81	681.1
4,000	25.84	656.3
5,000	24.89	632.3
6,000	23.98	609.0
7,000	23.09	586.4
8,000	22.22	564.4
9,000	21.38	543.2
10,000	20.58	522.6
15,000	16.88	428.8
20,000	13.75	349.1
25,000	11.10	281.9
30,000	8.88	225.6
35,000	7.04	178.7
40,000	5.54	140.7
45,000	4.36	110.8
50,000	3.436	87.30



















SPECIFIC GRAVITIES OF GASES		
(Based on 68°F and 14.7 lb. abs.)		
Acetylene	C ₂ H ₂	.897
Air	1.000
Ammonia	NH ₃	.587
Argon	A	1.378
Butane-N	C ₄ H ₁₀	2.390
Butane-ISO	(CH ₃) ₂ CH CH ₃	1.990
Carbon Dioxide	CO ₂	1.517
Carbon Monoxide	CO	.966
Chlorine	CL ₂	2.452
Ethane	C ₂ H ₆	1.035
Helium	He	.138
Hydrogen	H ₂	.070
Methane	CH ₄	.553
Natural Gas665 (Approx. Avg.)
Nitric Oxide	NO	1.035
Nitrogen	N ₂	.966
Nitrous Oxide	N ₂ O	1.518
Oxygen	O ₂	1.103
Propane	C ₃ H ₈	1.550
Sulphur Dioxide	SO ₂	2.209

VOLUME EQUIVALENTS		
1 Cu. Ft.	1 Gal. (U.S.)	1 Liter
1728 Cu. In.	231 Cu. In.	.0353 Cu. Ft.
7.481 Gal. (U.S.)	.1337 Cu. Ft.	.2642 Gal. (U.S.)
28.317 Liters	3.785 Liters	1000 Cu. Cm.
28.317 Cu. Cm.	3785 Cu. Cm.	

FLOW EQUIVALENTS							
1 Cu. Ft./Hr.	1 Cu. Ft./Min.	1 CC/Min.	1 CC/Hr.	1 LPM	1 LPH	1 Gal./Min.	1 Gal./Hr.
.0166 Cu. Ft./Min.	60 Cu. Ft./Hr.	60 CC/Hr.	.0167 CC/Min.	60 LPH	.0166 LPM	60 Gal./Hr.	.0167 Gal./Min.
.4719 LPM	28.316 LPM	.000035 Cu. Ft./Min.	.0000005 Cu. Ft./Min.	.035 Cu. Ft./Min.	.00059 Cu. Ft./Min.	.1337 Cu. Ft./Min.	.002 Cu. Ft./Min.
28.316 LPH	1699 LPH	.0021 Cu. Ft./Hr.	.00003 Cu. Ft./Hr.	2.1189 Cu. Ft./Hr.	.035 Cu. Ft./Hr.	8.021 Cu. Ft./Hr.	.1337 Cu. Ft./Hr.
471.947 CC/Min.	28317 CC/Min.	.001 LPM	.000017 LPM	1000 CC/Min.	16.667 CC/Min.	3.785 LPM	.063 LPM
28317 CC/Hr.	1,699,011 CC/Hr.	.06 LPH	.001 LPH	60,002 CC/Hr.	1000 CC/Hr.	227.118 LPH	3.785 LPH
.1247 Gal./Min.	7.481 Gal./Min.	.00026 Gal./Min.	.000004 Gal./Min.	.264 Gal./Min.	.004 Gal./Min.	3,785.412 CC/Min.	63.069 CC/Min.
7.481 Gal./Hr.	448.831 Gal./Hr.	.0159 Gal./Hr.	.00026 Gal./Hr.	15.851 Gal./Hr.	.264 Gal./Hr.	227,125 CC/Hr.	3785 CC/Hr.

REFERENCE TABLES

SPECIFIC GRAVITY OF LIQUID	
Liquid	Specific Gravity
Acetone	0.792
Alcohol, ethyl	0.791
Alcohol, methyl	0.810
Ammonia, saturated	0.655
Benzene	0.9
Brine (10% Na Cl)	1.08
Carbolic acid	0.950 to 0.965
Carbon disulfide	1.293
Carbon tetrachloride	1.595
Chloroform	1.489
Ether	0.736
Fuel oil 1	0.82 to 0.95
Fuel oil 2	0.82 to 0.95
Fuel oil 3	0.82 to 0.95
Fuel oil 5A	0.82 to 0.95
Fuel oil 5B	0.82 to 0.95
Fuel oil 6	0.82 to 0.95
Gas oils	0.89
Gasoline a	0.74
Gasoline b	0.72
Gasoline c	0.68
Glycerine	1.260
Heptane-n	0.688
Hexane	0.664
Kerosene	0.820
Mercury	13.600
Methyl acetate	0.93
Methyl iodide	2.28
Milk	1.028 to 1.035
Naptha, petroleum ether	0.665
Naptha, wood	0.848 to 0.810
Oil, castor	0.969
Oil, coconut	0.925
Oil, cotton seed	0.926
Oil, creosote	1.040 to 1.200
Oil, linseed, boiled	0.924
Oil, olive	0.918
Oil, palm	0.924
Oil, peanut	0.92
Oil, sesame seed	0.923
Oil, soy bean	0.924 to .928
Pentane	.623
Propylene glycol	1.038
SAE 30 lube oil	0.9
Sea water	1.025
Sodium chloride, 5%	1.037
Sodium chloride, 25%	1.196
Sodium hydroxide (caustic soda), 20%	1.22
Sodium hydroxide (caustic soda), 30%	1.33
Sodium hydroxide (caustic soda), 40%	1.43
Turpentine (spirits)	0.870
Water	1.000

AGENCY APPROVALS	
	Products with this symbol meet certain requirements for 3-A Sanitary Standards for design and fabrication as governed by 3-A SSI.
	Products with this symbol have had representative samples tested to meet BTL compatibility.
	Products with this symbol conform to certain standards and are eligible to be placed on the market in the European Community.
	This symbol assures you that the product meets certain safety standards and/or performance criteria as set by the Canadian Standards Association.
	Products with this symbol conform to certain ATEX requirements as set by the European Union
	Products with this mark meet certain requirements as reported by Factory Mutual Research.
	Products with this mark meet certain Canadian requirements as reported by Factory Mutual Research.
	Products with this mark meet certain Canadian and U.S. requirements as reported by Factory Mutual Research.
	Products with this symbol certify to standards for safety of electrical equipment for explosive atmosphere requirements as set by the IECEx Management Committee ExMC.
	The National Institute of Metrology, Standardization and Industrial Quality is a Brazilian federal autarchy, linked to MDIC, the Ministry of Development, Industry and Foreign Commerce.
	Products with this symbol are listed by NSF International. Samples of these products have been evaluated by NSF and meet the safety standards set forth by NSF International.
	Products with this symbol meet the European Union's Directive on the restriction of the use of certain hazardous substances in electrical and electronic equipment 2002/95/EC.
	Products with this symbol have had representative samples tested to meet UL's safety requirements. These requirements are primarily based on UL's own published Standards for Safety.
	Products with this symbol have been evaluated by UL to Canadian safety requirements, which may be somewhat different from U.S. safety requirements.
	Products with this symbol indicate compliance with both Canadian and U.S. safety requirements.
	Products with this symbol are certified UL recognized components to U.S. requirements. Component parts are part of a larger product or system. These components may have restrictions on their performance or may be incomplete in construction.
	Products with this symbol are certified UL recognized components to Canadian requirements.
	Products with this symbol are certified UL recognized components to both Canadian and U.S. requirements.

REFERENCE TABLES

HAZARDOUS LOCATIONS LISTINGS	
Class I (-4)	Flammable gases or vapors are or may be present in sufficient quantities to produce explosive or ignitable mixtures.
Division I (-4A)	Gases or vapors are or may be in the atmosphere in normal operations.
Group A (-2)	Containing acetylene.
Group B (-2)	Containing hydrogen, ethylene oxide & propylene oxide or gases or vapors of equivalent hazard.
Group C (-2)	Containing ethyl-ether vapor, ethylene or cyclopropane.
Group D (-2)	Containing gasoline, hexane, naptha, benzine, butane, propane, alcohol, acetone, lacquer solvent or natural gas.
Division II (-4B)	Gases or vapors are not normally present. They may be present due to leakage, accidents or maintenance. It is possible for one atmosphere to contain the same items as listed for Groups of Division I of this class.
Class II (-5)	Combustible dust may be present in sufficient quantities to produce an explosive atmosphere.
Division I (-5A)	Dust in suspension. Dust is or may be present in the atmosphere due to normal operating conditions.
Group E (-2)	Containing metal dust, including aluminum, magnesiums and their commercial alloys, and other metals of similar hazardous characteristics.
Group F (-2)	Containing carbon black, coal or coke dust.
Group G (-2)	Containing flour, starch or grain dust.
Division II (-5D)	Dust not normally in suspension. Possibly containing the same items as listed for Groups of Division I of this class.
Class III (-6)	Ignitable fibers are present, but not necessarily present in air in quantities sufficient to produce ignitable mixtures.
Division I (-6A)	Easily ignitable fibers or materials producing combustible flyings are handled, manufactured or used.
Division II (-6B)	Easily ignitable fibers are stored or handled.

NEMA STANDARDS FOR INDUSTRIAL ENCLOSURES	
Type 1	General purpose - indoor.
Type 2	Drip-proof - indoor. Protects against limited amounts of falling liquids and dirt.
Type 3	Dust-tight, raintight and sleet resistant - outdoor. Protects against windblown dust, rain sleet and external ice formation.
Type 3R	Same as Type 3, except not dust-tight.
Type 3S	Same as Type 3, but provides for operation of external mechanism when ice-laden.
Type 4	Watertight and dust-tight - indoor and outdoor. Protects against windblown dust and rain, splashing water and hose-directed water.
Type 4X	Same as Type 4 except also corrosion resistant.
Type 5	Dust-tight - indoor. Protects against dust and falling dirt.
Type 6	Submersible, watertight and dust-tight - indoor and outdoor. Protects against water entry during occasional temporary submersion to a limited depth.
Type 6P	Same as Type 6 except for prolonged submersion.
Type 7	Class I indoor hazardous locations. Explosion-proof, may be A, B, C or D.
Type 8	Class I indoor or outdoor hazardous locations - oil immersed equipment, may be A, B, C or D.
Type 9	Class II indoor hazardous locations. Explosion-proof, may be E, F or G.
Type 10	Mining Enforcement Safety Administration. Explosion-proof in methane or natural gas.
Type 11	Corrosion resistant and drip-proof - oil-immersed - indoor.
Type 12	Dust-tight and drip-tight - indoor, non-corrosive dripping liquids.
Type 12K	Same as Type 12 except enclosures have knockouts.
Type 13	Oil-tight and dust-tight - indoors, non-corrosive spray of water, oil and coolant.

TRADEMARK ACKNOWLEDGMENTS

REGISTERED TRADEMARKS OF DWYER INSTRUMENTS, INC.



Capsuhelic®	Iso Verter®	Optitrol®
Capsu-Photohelic®	Lin-E-Aire®	Photohelic®
Dijihelic®	Love®	Plast-A-Vane®
DigiMag®	Magnehelic®	Precisor® Quick-View®
Duotect®	MagneSense® Mercoïd®	Rate-Master®
Durablock®	Mercoïd Control®	Safe-T-Ohm®
Dwyer Group®	Microtector®	Slack Tube®
Dwyer®	Minihelic® Mini-Master®	Spirahelic®
Flex-Tube®	Mini-Photohelic®	The Low Pressure People®
Flotect®	One-Touch®	Visi-Float®

COMMON LAW MARKS OF DWYER INSTRUMENTS, INC.



AQStick™	Mini-Node™	S-D™	Thermoguide™
Even-Action™	Minitactor™	Slide Guide™	Ultra-Mag™
Hi-Flow™	Mother Node™	SLiquid™	Ultra-View™
Loop Alarms™	Pre-Trac™	Tell Tale™	Vaneometer™
Lovelink™	Proximity™	Tell Tale Jr.™	

COMMONLY USED MARKS AND GRAPHICS



MARKS REGISTERED TO COMPANIES OTHER THAN DWYER INSTRUMENTS, INC.



Alumel®	Conceptech, Inc.	IOS®	Cisco Systems, Inc.	Velcro®	Velcro Industries B.V.
Android®	Google, Inc.	Lexan®	SABIC Innovative Plastic IP B.V.	Windows®	Microsoft Corporation
Chromel®	Conceptech, Inc.	Loctite®	Henkel Corporation	Windows NT®	Microsoft Corporation
Darina®	Shell Trademark Management B.V.	Modbus®	Schneider Automation, Inc.	Windows Vista®	Microsoft Corporation
Duracell®	The Gillette Company	Norprene®	Saint-Gobain Abrasives, Inc. Corporation	Excel®	Microsoft Corporation
Eveready®	Eveready Battery Company, Inc.	Nylatch®	Southco, Inc.	PowerPoint®	Microsoft Corporation
Fluon®	AGC Chemicals Americas, Inc.	Open I/O®	Easton Controls, Inc.	Air Flow™	TSI, Inc.
Fluorolube®	Gabriel Performance Products LLC	Open Signal®	Easton Controls, Inc.	No More Leaks™	Permatex
Freon®	E.I. DuPont De Nemours and Company	Sensorpak®	Easton Controls, Inc.	Precision Flow™	Sierra Instruments, Inc.
HART®	Hart Communication Foundation	Sensorpulse®	Easton Controls, Inc.	ProHood™	TSI, Inc.
Hirschmann®	Hirschmann Electronics GMBH	Swagelock®	Swagelock Company	Smart Interface™	lentek Co., Ltd.
HyperTerminal®	Hilgraeve, Inc.	Trendreader®	ACR Systems, Inc.		
Iglide®	Igus GMBH	Tygon®	Saint-Gobain Abrasives, Inc. Corporation		
Inconel®	Huntington Alloys Corporation	VCR®	Swagelok Company		

INFORMATION ABOUT MERCURY-ADDED PRODUCTS

Dwyer Instruments, Inc. continues its development of non-mercury replacement alternatives for those products currently offered containing mercury. We will continue to work with all customers to supply mercury added products as needed for replacement of products currently in use and to guide customers towards non-mercury added products for new applications.

Dwyer Instruments, Inc. will comply with all local, state, federal, and international laws regarding the sale of mercury added products. These laws may affect our ability to sell, distribute, or transport products into restricted states and/or countries. Mercury added product sales may be limited or denied to certain customers depending on the location or intended use of the product.

Dwyer Instruments, Inc. encourages all customers to become familiar and comply with all mercury legislation. Sales of any and all mercury added products will be discontinued to any customer that knowingly or willfully disregards any legislation concerning mercury.

Dwyer Instruments, Inc. requests that all mercury containing products are properly disposed of at the end of their useful life. Many web sites are available to help educate consumers about proper disposal of mercury added products. Please visit www.newmoa.org for additional information related to mercury usage.

INDEX BY PRODUCT

PRODUCT	SECTION	PAGE	PRODUCT	SECTION	PAGE
16B – 1996			3PBV – 3200G		
16B	Temperature	204-205	3PBV	Valves	386
16C	Temperature	203	32B	Temperature	204-205
16G	Temperature	206-207	38R	Valves	392-393
16L	Temperature	210	300	Pressure	13
102	Level	254	3000MR/3000MRS	Pressure	26
123	Level	254	3000WA	Valves	396
160	Test & Data	331	3100	Pressure	54-55
160E	Test & Data	333	3100D	Pressure	54-55
160F	Test & Data	333	3100MP	Pressure	54-55
160G	Test & Data	334	3200G	Pressure	90-91
160S	Test & Data	332			
165	Valves	420	4 – 43000		
166T	Test & Data	332	4	Temperature	226
185	Valves	423	4B	Temperature	204-205
195	Valves	424	4C	Temperature	203
1000E	Pressure	77	4G	Temperature	206-207
1000W	Pressure	77	40T/40M	Temperature	211
1205B	Test & Data	346	400	Test & Data	329
1207A	Test & Data	346	421, 422, 424	Pressure	14
1211	Test & Data	327	460	Test & Data	329
1212	Test & Data	327	471B	Test & Data	338
1213	Test & Data	328	475	Test & Data	321
1221, 1222, 1223	Test & Data	326	475-AV Kit	Test & Data	330
1227, 1227M	Test & Data	327	476A	Test & Data	320
1230, 1235	Pressure	14	477AV	Test & Data	322
1620	Pressure	38	477-AV Kit	Test & Data	330
1630	Pressure	38	477B	Test & Data	323
1638	Pressure	38	478A	Test & Data	320
1640	Pressure	37	480	Test & Data	335
1800	Pressure	32	485B	Test & Data	345
1823	Pressure	32	490A	Test & Data	325
1831	Pressure	37	4000	Pressure	15
1900	Pressure	34	43000	Pressure	25
1910	Pressure	34			
1950	Pressure	29	5 – 550		
1950G	Pressure	29	5	Temperature	226
1996	Pressure	39	500	Flow	153
			550	Flow	153
2-5000 – 2900			605 – 641		
2-5000	Pressure	10-11	605	Pressure	48
200	Pressure	13	607	Pressure	44
250-AF	Pressure	13	607D	Pressure	44
265	Valves	421	608	Pressure	56
275	Valves	422	616KD	Pressure	42
285	Valves	423	616W	Pressure	46
295	Valves	424	616WL	Pressure	46
2000	Pressure	4-5	626	Pressure	86-87
2000VA	Valves	394-395	628	Pressure	86-87
2700	Valves	418	628CR	Pressure	88
2800	Valves	418	629	Pressure	58
2900	Valves	419	631B	Pressure	60
			636	Pressure	89
			636D	Pressure	57
			641	Air Quality	106

INDEX BY PRODUCT

PRODUCT	SECTION	PAGE	PRODUCT	SECTION	PAGE
641B – 682			A-350 – AT2605		
641B	Air Quality	107	A-350	Test & Data	349
641RM	Air Quality	107	A-368	Pressure	7
644	Pressure	83	A-369	Pressure	7
645	Pressure	59	A-371	Pressure	7
647	Pressure	59	A-396A	Test & Data	349
650	Temperature	219	A-417A	Accessories	445
651	Temperature	220	A-418E	Accessories	445
652-0	Temperature	221	A-418N	Accessories	445
655A	Pressure	57	A-419A	Accessories	445
657-1	Air Quality	112	A-420A	Accessories	445
657C-1	Air Quality	112	A-421	Accessories	445
659	Temperature	220	A-432	Pressure	4
668	Pressure	43	A-464	Pressure	7
670	Air Quality	104	A-465	Accessories	445
672	Pressure	84	A-489	Accessories	444
673	Pressure	84	A-491	Accessories	444
677B	Pressure	43	A-493	Accessories	444
681	Pressure	82	A-605	Pressure	4
682	Pressure	83	A-610	Pressure	7
765 – 7112B			A-700	Process Control	294
765	Pressure	65	A-709	Temperature	221
781	Process Control	290	A-900, A-901	Level	276
782	Process Control	290	A-1000	Accessories	432-436
783	Process Control	291	A-2000	Accessories	437-440
784	Process Control	291	A-3000	Accessories	441-442
7000	Pressure	66	A-4000	Accessories	440
7000B	Pressure	66	A-5000	Accessories	446
7100B	Pressure	66	A1F	Pressure	78
7112	Pressure	66	A1PS/A1VS	Pressure	79
7112B	Pressure	66	A2	Pressure	81
8 – 862E			A6	Pressure	80
8	Temperature	225	A3000	Pressure	22-23
8B	Temperature	204-205	AAFS	Air Quality	104
8C	Temperature	203	ACT	Valves	390-391
8G	Temperature	206-207	ADPS	Pressure	30
862E	Temperature	216	AFG	Air Quality	97
9			AFH2	Test & Data	339
9	Process Control	290	AFR	Valves	426
9	Temperature	227	AFR2	Valves	426
A-169 – A-320-B			AFS	Flow	165
A-169	Accessories	429	AN2	Process Control	288
A-170	Accessories	429	ANE-1	Test & Data	334
A-240/250	Accessories	430	AP	Pressure	80
A-286	Pressure	7	AP2	Test & Data	343
A-299	Pressure	7	APM	Process Control	285
A-300	Pressure	7	APS/AVS	Pressure	79
A-302F	Accessories	444	APT	Process Control	296-297
A-310A	Pressure	5	APV-C	Level	277
A-320-A	Pressure	7	APV-I	Level	277
A-320-B	Pressure	7	AQH-20	Test & Data	345
			AQTIA	Test & Data	341
			ASG	Test & Data	348
			AT11910	Pressure	35
			AT1ADPS	Pressure	31
			AT21823	Pressure	33
			AT22000	Pressure	8
			AT23000MR/MRS	Pressure	27
			AT2605	Pressure	49

INDEX BY PRODUCT

PRODUCT	SECTION	PAGE	PRODUCT	SECTION	PAGE
AT2DH3 – AVUB			CRF2 – CXA		
AT2DH3	Pressure	21	CRF2	Level	270
AT2MS	Pressure	52	CSE-3R	Process Control	310
AT3A3000	Pressure	24	CSE-KN	Process Control	311
AVFS	Air Quality	105	CSE-N1	Process Control	311
AVU	Air Quality	105	CSG	Test Equipment	348
AVUB	Air Quality	105	CTF	Level	261
			CXA	Pressure	82
B-190 – BYS			DA-7035N – DS		
B-190	Level	256	DA-7035N	Temperature	217
BAP	Level	277	DA/DS	Pressure	74-75
BAT	Flow	192	DAFM	Air Quality	99
BBV-0	Valves	409	DBLM	Level	262
BBV-1	Valves	409	DBT	Temperature	201
BBV-2	Valves	410	DBV	Valves	377
BCHP	Test & Data	351	DCGII	Pressure	70
BDG	Pressure	67	DCS	Valves	402-403
BDL	Test & Data	355	DCT500A	Process Control	302
BDPA	Pressure	30	DCT500ADC	Process Control	302
BFC	Valves	406	DCT600	Process Control	303
BGM	Process Control	287	DCT1000	Process Control	304
BHC	Valves	404	DCT1000DC	Process Control	305
BICV	Valves	405	DevCom2000	Pressure	91
BPI	Process Control	286	DFMT	Flow	174
BPS-005	Process Control	295	DFMT2	Flow	174
BPS-015	Process Control	295	DFS	Temperature	217
BT	Temperature	196	DH	Pressure	19
BTL	Temperature	197	DH Links	Pressure	17
BTLRN	Temperature	196	DH3	Pressure	20
BTM3	Temperature	198	DHII	Pressure	18
BTO	Temperature	202	DigiHelic Links™	Pressure	17
BTP	Temperature	198	DigiHelic® Controller	Pressure	18-20
BTT	Temperature	218	DigiMag® Gage	Pressure	9
BV2M	Valves	377	DLI2	Test & Data	354
BYDS	Pressure	30	DLP	Test & Data	354
BYS	Valves	408	DM-1100	Pressure	9
			DM-1200	Pressure	9
			DM-2000	Pressure	47
			DP	Pressure	40
			DPG-000	Pressure	69
			DPG-100	Pressure	69
			DPG-200	Pressure	71
			DPGA	Pressure	68
			DPGAB	Pressure	68
			DPGW	Pressure	68
			DPGWB	Pressure	68
			DPL110	Level	257
			DPM	Process Control	308
			DPMA	Process Control	283
			DPML	Process Control	283
			DPMP	Process Control	283
			DPMW	Process Control	283
			DPMX	Process Control	284
			DPT	Pressure	73
			DPW	Flow	175
			DR	Flow	136
			DS	Flow	148-149
Capsu-Photohelic® Gage – CPF					
Capsu-Photohelic® Gage	Pressure	25			
Capsuhelic® Gage	Pressure	15			
CBT	Temperature	197			
CC1	Temperature	235			
CCS	Process Control	292			
CCT40/50	Process Control	293			
CCT60/70	Process Control	293			
CDT	Air Quality	114			
CDTA	Air Quality	115			
CDTR	Air Quality	116			
CFS2	Level	255			
CHP	Test Equipment	349			
CLP	Level	257			
CLS1	Level	260			
CLS2	Level	259			
CLT	Level	271			
CMT200	Air Quality	118			
Cooling Tower/Snubber	Accessories	430			
CPF	Flow	140-141			

INDEX BY PRODUCT

PRODUCT	SECTION	PAGE	PRODUCT	SECTION	PAGE
DSGT – DX			GSTC – GVS		
DSGT	Pressure	71	GSTC	Air Quality	117
DT	Valves	415	GVS	Flow	165
DTFA	Flow	146	H2 – HTDL-20/30		
DTFF	Flow	147	H2	Pressure	78
DTFO	Flow	146	H3	Pressure	41
DTFW	Flow	146	HADP	Pressure	45
Duotect® Switch	Pressure	78	HCHP	Test & Data	350
Durablock® Gage	Pressure	13	HF	Flow	139
Durablock® Manometer	Pressure	14	HFO	Flow	166
DW-DATAPAD	Test & Data	358	HFPC	Flow	138
DW-USB	Test & Data	357	HFPS	Flow	138
DW-USB-1-HT	Test & Data	356	HFT	Flow	166
DW-USB-LCD	Test & Data	357	HGV	Valves	407
DW-WIFI	Test & Data	358	HHT	Air Quality	113
DX	Pressure	40	Hi-Flow™ Valve	Valves	394-396
EBV – EPTA			HM28	Test & Data	324
EBV	Level	278	HM35	Test & Data	324
EC	Temperature	230	HNV	Valves	406
EDA	Pressure	72	HP	Test & Data	349
EDPS	Pressure	30	HS	Air Quality	108
EFF	Flow	182	HTDL-20/30	Temperature	356
EFS2	Flow	181	I2-1 – IWP		
EPTA	Valves	417	I2-1	Temperature	237
F195 – FSW2			IEFS	Flow	180
F195	Accessories	428	IF	Flow	137
F222, F451	Accessories	428	ILA	Temperature	238
F6/F7	Level	249-250	IP	Valves	417
F7-MLK	Level	248	IPV	Level	278
F7-MM	Level	252	IS626	Pressure	92
F7-MQ	Level	251	ISDP	Pressure	53
F7-MS	Level	253	Iso Verter® Module	Process Control	289
FAFM	Air Quality	98	IT	Temperature	200
FBLT	Level	269	IT-W	Temperature	200
FC-1000	Process Control	298	IWP	Pressure	89
FDT	Pressure	85	KF-CC-304 – KFD0		
Flex-Tube® Manometer	Test & Data	326-327	KF-CC-304	Process Control	294
FLMG	Flow	179	KFD0	Process Control	298
Flotect® Switch	Flow	156-161	L4 – LFMC		
Flotect® Switch	Level	245-248	L4	Level	245
FLST	Air Quality	100-101	L6	Level	246
FS-2	Flow	162	L8	Level	247
FSW2	Level	255	L10	Level	248
Gage Tubing Accessories – GSTA			LC1132	Process Control	284
Gage Tubing Accessories	Accessories	443	LCR10	Test & Data	353
GDL	Test & Data	355	LCR20	Test & Data	353
GDL-T	Test & Data	355	LCT216	Process Control	301
GFC	Flow	191	LCT316	Process Control	301
GFM2	Flow	189	LFMA	Flow	132
GFM3	Flow	190	LFMB	Flow	132
GFM4	Flow	190	LFMC	Flow	133
GG	Accessories	431			
GSTA	Air Quality	117			

INDEX BY PRODUCT

PRODUCT	SECTION	PAGE	PRODUCT	SECTION	PAGE
LFMD – LTS			OP – OSW-100		
LFMD	Flow	133	OP	Flow	150-151
LFME	Flow	133	OSC-200	Air Quality	118
LFMF	Flow	133	OSW-100	Air Quality	118
LoveLink™III	Temperature	208	P – PWF		
LPCP	Test & Data	351	P	Temperature	227
LPG4	Pressure	64	P1	Flow	164
LPG5	Pressure	64	P2	Flow	163
LPI	Process Control	286	P3	Flow	163
LPTK	Test & Data	347	P8	Flow	164
LTC2	Level	258	PAFS-1000	Air Quality	96
LTS	Level	258	PBLT2	Level	268
MAFS – MW-1			PBLTX	Level	268
MAFS	Air Quality	96	PBV	Valves	376
Magnehelic® Gage	Pressure	4-5	PCHP	Test Equipment	350
Magnehelic® Transmitter	Pressure	48	PDWS	Flow	169
Magnesense® Transmitter	Pressure	50-51	PE	Flow	150-151
Mark 1, 3, 4	Valves	412-414	PFG2	Pressure	17
Mark II	Pressure	12	PFT	Flow	168
Mark II	Test & Data	328	PG	Pressure	39
Mark II WSI	Test & Data	335	Photohelic® Gage	Pressure	22-23, 26
MBLT	Level	267	PLS	Level	263
MC	Test & Data	352	PLS2	Level	262
MCS	Process Control	292	PMS	Process Control	309
MDA	Pressure	36	PMT2	Process Control	307
MDS	Pressure	36	PPM	Process Control	285
MFS	Flow	178	PRECISOR® Positioner Valves	Valves	420-422
MFS2	Flow	178	PS	Accessories	431
Mini-Master® Flowmeter	Flow	124-125	PSX2	Flow	187
Mini-Node™	Process Control	294	PTGD	Pressure	16
Mini-Photohelic® Gage	Pressure	28	PUB	Flow	188
Minihelic® Gage	Pressure	10-11	PUF	Flow	188
MM	Flow	124-125	PUX2	Flow	186
MN-1	Process Control	294	PVF	Flow	140-141
Mobile Meter™	Test & Data	342	PWF	Flow	170
MP	Pressure	28	Quick-View® Indicator – QV		
MPC	Level	274	Quick-View® Indicator	Valves	411
MPC Jr.	Level	275	QV	Valves	411
MPM	Process Control	285	R – RSF		
MPR	Valves	425	R	Temperature	225
MS2	Pressure	50-51	Rate-Master® Flowmeter	Flow	126-127, 145
MTL5041/5045	Process Control	299	RDCS	Valves	402-403
MTL7706/7787	Process Control	300	Regulator Kits	Flow	129
MV	Valves	379	RH-R	Air Quality	112
MVR	Level	243	RHP	Air Quality	110
MVS	Pressure	81	RHP-E/N	Air Quality	109
MW-1	Test & Data	336	RHRS	Air Quality	111
NVII			RM	Flow	126-127
NVII	Valves	407	RMV	Flow	145
O-4 – One-Touch® Transmitter			RMV II	Flow	145
O-4	Temperature	236	RP2	Test & Data	343
OLS	Level	256	RRT3	Temperature	201
One-Touch® Transmitter	Pressure	42	RSF	Flow	137

INDEX BY PRODUCT

PRODUCT	SECTION	PAGE	PRODUCT	SECTION	PAGE
RSM – RTI			SWUK1 – SYS		
RSM	Pressure	45	SWUK1	Accessories	431
RSV	Valves	404	SYS	Valves	408
RTD	Temperature	238			
RTI	Flow	192			
S2-1 – SVT			T – TVF		
S2-1	Temperature	236	T	Temperature	228
SA1100	Pressure	76	TAC-L	Test & Data	347
SAE	Valves	387	TCS	Temperature	211
SAV-BT	Valves	397	TDFS	Flow	162
SAV-ST	Valves	398	TE	Flow	150-151
SBLT2	Level	266	TE	Temperature	232
SBLTX	Level	266	TE-A	Temperature	235
SBSV-B	Valves	399	TE-E/N	Temperature	231
SBSV-S	Valves	400	TE-I	Temperature	233
SC1	Process Control	288	TE-OND/RND/OSA	Temperature	234
SC4	Process Control	289	TE-SNW	Temperature	237
SCD	Temperature	208	TE-WSS	Temperature	231
SCS	Process Control	291	TFLS	Level	261
SF	Flow	171	TFP-GV	Flow	167
SF2	Flow	171	TFP-LP	Flow	167
SFI	Flow	154-155	THC	Air Quality	108
SFI-100	Flow	154-155	TID	Temperature	209
SFI-100T	Flow	173	TLVT1	Temperature	216
SFI-300, SFI-350, SFI-360	Flow	154-155	TPT	Pressure	85
SFI-300F, SFI-360F	Flow	154-155	TR-7	Process Control	306
SFI-400, SFI-400F	Flow	154-155	TS Probes	Temperature	215
SFI-500	Flow	153	TS2	Temperature	213
SFI-550	Flow	153	TS3	Temperature	212
SFI-700	Flow	154-155	TSF	Temperature	210
SFI-800	Flow	172	TSF-DF	Temperature	209
SG1	Pressure	62	TSS2	Temperature	213
SG3	Pressure	62	TSW	Temperature	214
SG5	Pressure	63	TSWB	Temperature	214
SGF	Pressure	65	TSX3	Temperature	212
SGO	Pressure	63	TTE	Temperature	222
SGP	Pressure	63	TTM	Flow	173
SGX	Pressure	65	TTW	Temperature	219
SGY	Pressure	62	TUF	Flow	185
SGZ	Pressure	62	TVA	Flow	134
Slack Tube® Manometer	Test & Data	327	TVF	Flow	142
SMV2	Valves	378			
SN	Valves	399	UBV – ULT		
Spirahelic® Gage	Pressure	66	UBV	Valves	378
SPPM	Process Control	282	UDL	Test & Data	353
SRC	Valves	401	UFB	Flow	183
SSE	Process Control	312	UFC	Flow	183
SSM	Flow	143	UFM	Flow	184
SSV-B	Valves	400	UGI	Pressure	61
SSV-S	Valves	401	UGJ	Pressure	61
ST	Temperature	199	UGK	Pressure	61
STC	Temperature	199	UHH2	Test & Data	340
STFLO	Flow	144	UHH Accessories	Test & Data	344
STRA	Air Quality	102-103	UHH-BTG	Test & Data	342
Surge Damper	Accessories	445	ULSL	Level	273
SVE	Valves	405	ULSM	Level	273
SVT	Process Control	306	ULSS	Level	273
			ULT	Level	272

INDEX BY PRODUCT

PRODUCT	SECTION	PAGE
Ultra-Mag™ Switch – UV		
Ultra-Mag™ Switch	Level	264-265
Ultra-View™ Flowmeter	Flow	131
UTG	Flow	184
UV	Flow	131
V4 – VT-300		
V4	Flow	156-157
V6	Flow	158-159
V7	Flow	160
V8	Flow	161
V10	Flow	160
VA	Flow	135
Valve Mounting Kits	Valves	414
Vaneometer™ Anemometer	Test & Data	335
VAT	Flow	134
VB	Valves	425
VBT-1	Process Control	310
Venturi Flow Meter	Flow	152
VFA, VFB	Flow	128-129
VFC, VFCII	Flow	130
Visi-Float® Flowmeter	Flow	128-130
VP2	Test & Data	343
VPI	Valves	416
VPS	Valves	415
VR	Level	242
VRLS	Level	260
VT-300	Test & Data	337
W – WWDP		
W	Temperature	229
WD	Level	244
WD3	Level	244
WDG	Pressure	67
WDPM	Test & Data	344
WE01	Valves	362-363
WE02	Valves	364-365
WE03	Valves	366-367
WE04	Valves	368-369
WE05	Valves	370-371
WE06	Valves	372-373
WE07	Valves	374-375
WE20	Valves	388-389
WE31	Valves	380-381
WE33	Valves	382-383
WE34	Valves	384-385
WHT	Air Quality	111
Wind Meter	Test & Data	336
WM2	Flow	176
WMT2	Flow	177
WSI	Test & Data	335
WWDP	Pressure	60

INDEX BY CATEGORY

	PAGE
2	
2 Valves	
Manifold	409
3	
3 Valves	
Manifold	409
5	
5 Valves	
Manifold	410
A	
Accessories	428-447
Connectors	404,446
Cooling Towers	430
Digital Temperature Switch Configuration Key	215
Enclosures	7,221,276,310-312
Filters	428,446
Fittings	404,434-442,446
Gage Fluid	447
Gage Guards	431
Hosing	443
Humidity Radiation Shield	111
Mounting Brackets	7,447
Pressure Snubbers	430-431
Psychrometer	345
Quick Connect Pneumatic Valves	440-442
Regulators	425-426
Siphons	429
Static Pressure	444-445
Strap Wrenches	431
Temperature	215
Thermowells	200,229,237
Accuracy Descriptions	451-452
Actuated	
Actuators	390-391,394-395
Valves	362-376,380-386,388
Actuators	
Electric	390-391
Pneumatic	390-391,394-395
Air	
Filter Instruments	4-7,10-11,17
Air Control	
Manifolds	409-410
Air Filters/Regulators	425-426,428
Air Flow	
Duct Averaging Sensors	96-97,99
Duct Stations	100-103
Gages	4-11,15
Meters	124-147
Meters with Switches	166
Mobile Application	340-343,450
Sensors	96-103,105-107,150-151,331-334
Stations	100-103
Switches	104-105,156-166

	PAGE
Air Handler	18,42,105,112,217,232,235,244
Air Hammer	278
Air Quality	96-118
Air Flow	
Paddle Flow	104
Applications	94-95
Gas Sensing Transmitters	114-118
Pitot Tubes	331-333
Air Temperature	
Sensors	232,338,345
Air Velocity	
Duct Averaging Sensors	96-97,99
Duct Stations	100-103
Flow Stations	100-103
Flow Switches	156-162
Gages	4-11,15,328-329
Indicators	328-330,335,338,343
Manometer, Digital	321-322,330,344
Manometer, Fluid	328-329
Meters	321-322,328-330,335-336,338-339,343
Mobile Application	342,450
Monitors	105,328-329
Sensors	96-103,150-151
Switches	104-105,156-161
Test Kits	321-322,328-330,338
Transmitters	105-107
Wind Meters	331-336
Alarms	
Loop and Limit	209-210,288
Process Indicator	209, 284,288
Visual and Audible	30,288
Ambient Air Temperature Sensors	231,234,236
Analog Signal Generator	348
Analyzers	
Carbon Monoxide/Carbon Dioxide	345-346
Flue Gas	346
ANDERSON-MIDWEST	154-155,172-173
Annunciators	288
Applications	
Air Quality	94-95
Flow	120-122
Level	240-241
Pressure	2-3
Process Control	280-281
Temperature	194-195
Test Equipment	314-315
Valves	360
AS-Interface	
Position Indicators/Switches/Transmitters	411-415
Assemblies	
Temperature Sensor	228
ATEX	
Barrier	
Galvanic	299
Zener	300
Flow Switches	156-159
Level Switches	245-246
Photohelic® Switch/Gages	24,27
Position Indicators/Switches/Transmitters	412-414

INDEX BY CATEGORY

	PAGE
Pressure Controller	
Differential	21
Pressure Gages	
Differential	8
Pressure Switches	41,76
Differential	29,31,33,35
Pressure Transmitter	90-91
Differential	49,52,54-55
Automated	
Valves	362-376,380-386,390-391
Averaging	
Flow Grid	97
Flow Sensors	96-97,99
Pitot Tubes	148-149
Temperature Sensors/Clips	235
B	
Backflow Prevention	
Valves	406
BACnet® Communication	
CO ₂ , Humidity, Temperature	115
Pressure Transmitters	50
Room Status Monitor	45
Ball Valves	
Actuators	390-391
Automated	362-376,380-386
Mini	378-379
Three-Way	380-386
Two-Way	362-379
Battery Powered Temperature Indicator	286
Bayonet Thermocouples	226
Bimetal Thermometers	196-199,201-202
Bin Aerator Pad	277
Bin Level Switches	261-265
Bin Vibrators	277-278
Block Manifolds	409-410
Boiler	
Flow Switches	160
Level Switches	254
Temperature Switches	214
Bourdon Tube	
Pressure Gages	61-65
Pressure Switches	74-75
Temperature Switches	217
BTU Meter	185-186
Bulk Head Connectors	404
Butterfly Valves	
Actuators	390-391
Manual	387-389
Two-Way	387-389
C	
Cable Level Switches	255
Calibration Pumps	349-351
Calibrators	
Pressure	352

	PAGE
Capacitive	
Level Switches	259-260
Level Transmitters	270
Capsu-Photohelic®	25
Capsuhelic®	15,25,60
Carbon Dioxide	
Indicators	345-346
Sensors	345-346
Transmitters	114-116
Indicating	114-116
Carbon Monoxide	
Sensors	346
Transmitters	117-118
CFM Gages	4-5,9,18-20
Chamber Level Switches	254
Check Valves	405-406
Chemical Control Manifolds	409-410
Circular Chart Recorder	354
Combustion Test Kits	346
Communication	
HART® Software	91
Compact USB Data Logger	357
Compact USB Data Logger with Display	357-358
Conductivity	
Level Switches	257
Connectors	
Bulk Head	404
Continuous Cleaning Timer Controllers	302-305
Control Valves	394-396
Actuators	390-391
Controllers	
Dust Collection	302-305
Electro-Pneumatic	417
Fan Speed	298
Flow	285
Humidity	108
Level	274-275,285
Mass Flow	191
Process	204-208
Pump	274-275,285
Relative Humidity	108
Temperature	203-215
Valves	417
Cooling Towers	430
Counters	301
Current	
Switches	291-292
Transformers	293
Current to Pressure Transducers	417-419
D	
Dampers	
Position Indicators/Switches/Transmitters	411-414,416
Data Acquisition	353-358
Data Loggers	353-358
Button	355
Flow	183,186,188
Graphical Display	355

INDEX BY CATEGORY

	PAGE
Pressure	354
Temperature	354-358
Universal Input	353
USB	355-358
Wireless	358
Detectors	
Leak	244
Occupancy	118
Particulate	307-309
Plugged Shoot	264-265
Position	415
Water	244
Dew Point	
Transmitters	109
DH3 DigiHelic®	
Mounting	20
Diaphragm Seals	
Pressure Switches	76
Diaphragm Valves	402
Differential Pressure	
Alarms	30
Gages	4-5,8-11,15-17
Indicating Transmitters	18-20,45-60
Indicators	4-5,8-17,320-327,344
Switches	29-41
Switches/Gages	21-28
Transmitters	42-60
DIN	44
Diaphragm Seals	54-55
High Accuracy	45
Indicating	18-20,45-60
DigiHelic Links™	17
DigiHelic® Controllers	18-21
Software	17
DigiMag®	9
Digital	
Gages	67-71
Indicating	
Meters, Panel	282-286
Pressure Switches	18-21,22-28,71-73
Pressure Transmitters	18-21,45-54,71-73,86,89-91
Temperature	
Controllers	203-207
Switches	209-214
Indicators	282-287
Manometers	320-325,340-344,352
Panel Meters	282-287
Pressure Gages	67-70
DigiMag®	9
Temperature Switch Configuration Key	215
Timers	301
DIN	
Control Enclosures	276
Displacer	
Level Switches	256
Displays	282-287
Disposable In-Line Filter	428
DM-2000	
Mounting	7

	PAGE
DPDT Low Differential Pressure Switches	37
Draft	
Pressure Gages	4-5
Drain	
Pan Level	244
Drip Pan Level	244
Duct Mount	
Humidity Transmitters	110,112
Pressure Transmitters	50
Temperature Sensors	232
Duotect® Switches	78
Duplexing Pump Controllers	274-276
Durablock® Gage/Manometers	13-14
Durablock® Solid Plastic Portable Gages	328
Dust Collector	
Timer Controls	302-306
Valves	402-403
E	
Electric	
Actuator	390-391
Ball Valves	362-376,380-386
Bin Vibrator	278
Electromagnetic	
Flow Transmitters	179-181
Electronic Fan Speed Control	298
Enclosures	
Panel Meters	282
Controllers	276
Solenoid Valves	306,405
Energy Meter	186
Explosion-Proof	
Ball Valves	362-376,380-386
Current to Pressure Transducers	419
Differential Pressure Control	21,24,27
Differential Pressure Gage	8
Differential Pressure Switches	29,31,33,35,39-41
Differential Pressure Transmitter	49,51,54-55,57
Flow Switches	156-159
Humidity Transmitters	113
Level Switches	245-246,249,256,262-265
Position Indicators/Switches/Transmitters	411-414
Pressure Switches	74-78,80
Pressure Transmitters	90-91
Temperature Switches	217
Temperature Transmitters	113,222
Thermostats	216
Extension Cables for Temperature Sensors	230
F	
Fan Speed Controllers	298
Filter	
Accessories	446
Gages	4-5,9,13,17
Filters	428
Fittings	
Accessories	446

INDEX BY CATEGORY

	PAGE
Bulk Head Connectors	404
Nylon	439-440
Pneumatic Quick Connect	440-442
Saddle	170,180,182
Stainless Steel	432-438
Tees	170,182
Weld/Braze	170,182
Flame-Proof	
Differential Pressure Controllers	21
Differential Pressure Gages	8
Differential Pressure Switches	31,33,35
Differential Pressure Transmitter	49,52
Low Differential Pressure Switch	33,35
Switches/Gages	24,27
Float Level Transmitters	271
Float Switch	245-255
Flotect® Switch	156-161,245-248
Flow	124-192
Applications	120-122
Controllers	191
Data Loggers	183,186,188
Digital	
Paddlewheel	174-175
Energy Meter	185-186
Global Valve Switch	165
Indicators	153-155,171-173
Switch Output	171-172,177
Transmitter Output	171-173,177
Magnetic Inductive	
Flow Sensor	178
Meters	124-151,167,176-177,183-184,186-191
Digital	183-184,186,188-191
Fixed-Orifice	147
Fluoropolymer	134
Glass	135-137
In-Line	130-134,137-151
Mass	189-191
Magnehelic®	152
Polycarbonate	126-127,132-133,138
Polysulfone	131,138
Purge	124-130
Rotatable Scale	137
Switch Output	166
Transmitter Output	166-167,186-187,191
Turbine	167
Ultrasonic	183-184,186-188
Variable Area	124-137,146-147
Multi-Jet	
Water Meters	176-177
Multitube	
Variable Area	128-130
Orifice Plates	150-151
Pipe Fittings	170,180,182
Sensor	150-151,167-168,171-173,176-177,186
Electromagnetic	
Flanged	179
Insertion	180-181
In-Line	148-149
Magnetic Inductive	178

	PAGE
Switches	162
Switches	156-166,171-172
Paddle	156-162
Shuttle/Piston	163-165
Thermal	162
Thermal Dispersion	162
Technical Information	123
Totalizers	172-173,176-177,183-184,186-187
Transducers	171-175,178
Transmitters	166-168,171-175,178-181,183-184,188-190
Blind Analog	192
Electromagnetic	179-181
In-Line	171-175,178-179,189-190
Indicating	171-173,175
Insertion	168-169,180-181
Paddlewheel	168-169,171-173
Turbine	167
Ultrasonic	183-188
Flow Control	
Actuator	390-391
Valves	362-369,376,380-386,394-398,407
Flow Indicators/Controllers	192,285
Flow Sensor	148-149
Flow Stations	100-103
Flow Totalizers	172-173,176-177,192,285
Fluid Control	
Actuators	390-391
Valves	363-403
G	
Gage Fluid	447
Gage Guards	431
Gage/Switches-Dial	4-28
Gages	
Air Filter	4-5,9-14
Air Velocity	4-5,9,106-107,329
Dial	4-5,10-11,15-16,61-67
Differential Pressure	4-17,320-327
Digital	9,61-70,320-325
Draft	4-5,12-14,321,326-327
Low Pressure	4-5,63-65
Piston Type	16
Pressure, Dial	61-66
Single Pressure	61-66
Spirahelic®	66
Stainless Steel	62-63,65
Temperature	196-201
Galvanic Barrier	298-299
Gas Analyzer	345-346
Gas Detectors	
Carbon Dioxide	114-116
Carbon Monoxide	117-118
Gas Mass Flow	189-191
Gas Meter Flow	189-190
Gas Pressure	
Kits	327
Manometer	328
Switches	39

INDEX BY CATEGORY

	PAGE
Globe Valves	392-396,407
Glossary	448-449
Graphical Display Data Logger	355
Ground Control	306
H	
Hand Pump	349-351
Handheld Instruments	
Air Quality	341-346
Air Velocity	322,329,337-338,343
Calibrators	348-349,352
Humidity	343,345
Pressure	320-325,344
HART®	
Communication Software	91
Position Indicators/Switches/Transmitters	412-414
Positioners	423-424
Pressure Transmitters	54-55,90-91
Hazardous Rated	
Actuators	390-391
Ball Valves	362-376,380-386
Current to Pressure Transducers	418-419
Differential Pressure Switches	25,29,32,34,39-41
Flow Switches	156-159
Humidity Transmitters	113
Level Switches	245-246,249,254,256,263-265
Level Transmitters	266,268,272
Particulate	
Sensor	309
Transmitter	307
Position Indicators/Switches/Transmitters	411-414
Pressure	
Switches	32,34,74-77,80
Transmitters	53-57,90-92
Temperature	
Switches	217
Transmitters	222
Thermostats	216
Hermetically Sealed	39,74-77,160
Contacts	249
Reed Switch	163-164,248,250,415
Snap Switch	254,256
Switches	412-414
HI-FLOW	394-396
Hosing	443
Humidistat	108
Humidity	
Controllers	108
Data Loggers	353-358
Handhelds	343,345
Indicators	108
Loggers/Recorders	353-358
Radiation Shield	111
Switches	108
Transmitters	109-113
Duct Mount	110
Indicating	109-110,113
Remote Mount	111-112

	PAGE
Wall Mount	109
HVAC	
Ball Valve	386
Measurement Guide	316-319
Mobile Application	342,450
Temperature	218-219
Hydraulic	
Calibration Hand Pump	350
Valves	387
Hygrometers	343,345
I	
I to P	417-419
Immersion	
Temperature Sensors	232-233,237
Indicating	
Pressure Transmitters	18-20,54-55,58,60,86-87
Indicators	
Air Flow	124-146,154-155
Air Velocity	106,335
Annunciators	288
Differential Pressure	4-17,320-326,344
Flow	
In-Line	138,145
Sight Flow	153-155
Ultrasonic	183-188
Variable Area	124-137
Industrial	137
Flow Totalizers	173,176-177
Humidity	108,343,355
Level	243, 276
Position	411-416
Process	209,282-287
Relative Humidity	108,209
Sight Flow	154-155
Temperature	196-202,209,211
Variable Area	124-137
Water Leak	244
Wind Speed	335-336
Indoor Air Quality	
Carbon Dioxide and Temperature Transmitters	114,116
Carbon Monoxide Transmitters	117-118
Intrinsically Safe	
Barriers	298-300
Current to Pressure Transducers	418-419
Humidity Transmitters	113
Isolators	298-300
Level Transmitters	266,268
Particulate Sensors	309
Position Indicators/Switches/Transmitters	412-414
Pressure Transmitters	53,56,92
IR Sensors	
Temperature	238
Iso Verter® Modules	289

INDEX BY CATEGORY

	PAGE
K	
Kits	
Air Filter Gage/Switch	447
Air Velocity	321-322,328-330,335,343
Combustion	347
Portable Gage	4,321,327
Tachometer	347
L	
LCD	
Data Loggers	353-358
Indicators	283
Pressure Data Loggers	354
Leak Detectors	
Gas	347
Particulate	307-309
Water	244
Level	242-278
Applications	240-241
Bin Vibrators	277-278
Controllers	274-276
Indicators	242-243
Multi-Point	251-253
Switches	244-265
Bin Level	259,261-263
Capacitive	259-260
Chamber Type	254
Conductivity	257
Diaphragm	264-265
Displacer	256
Float	245-255
Multi-Point	248,251-253,257
Optical	256
Paddle	262-263
Powder and Bulk	258-265
Tilt	258
Tuning Fork	261
Vibrating Rod	260
Transducer	266-273
Transmitters	
Capacitive	270
Float	271
Indicating	272
Submersible	266-269
Ultrasonic	272-273
Water Detectors	244
Level Indicators	242-243
Lift Station	
Level Switches	255
Level Transmitter	268-269
Pump Controls	274-275
Limit Controls	210
Limit Switches	
Differential Pressure	18-20,29-30,32,34,36-41
Flow	156-166
Gas Pressure	39
Level	245-265
Pressure	71-80

	PAGE
Temperature	209-213,217
Lin-E-Aire®	394-396
Liquid Level	
Controllers	274-275
Indicators	153,242,243
Switches	245-259
Transmitters	266-273
Liquid/Particle Filter	428
Looper Powered Indicator	192,286
Low Pressure Calibration Pumps	351
M	
Magnehelic®	4-5, 48
Mounting	7
Options	4-6
Magnesense®	50-51
Manifold	
1-Valve	406
2-Valve	409
3-Valve	409
5-Valve	410
Manometers	
Digital Handheld	320-325,344
Fluid Filled	
Gage Fluid	447
Inclined	12-14
Inclined/Vertical	12-14,327
Portable	12,14,326-327
U-Tube	326-327
Well-Type	14
Mark	
Position Indicators/Switches/Transmitters	412-414
Mass Flowmeters And Controllers	189-191
Meters	
Indoor Air Quality	343,345
Tachometer	347
Mineral Insulated Temperature Sensors	225
Mini View Rite	243
Mini-Master® Flowmeter	124-125
Mini-Photohelic®	28
Minihelic® II	10-11
Mobile Application	
HVAC	342,450
Universal Handheld	340
Modbus® Communication	18-19,50,115,203-205,274-275
Monitors	
Indoor Air Quality	345
Room Status	4-7,45,47
Mounting Brackets	7,447
Multi-Function Meter	340
Multi-Jet Water Meters	176-177
N	
Needle Valves	406-407
Non-Contact	
Temperature Sensors	238
Null Switches	37

INDEX BY CATEGORY

	PAGE
Nylon Fittings	439-440
O	
Occupancy Sensors	118
Oil Controls	
Manifold	406,409-410
One-Touch®	42
Open Channel Flow	276
Optical	
Level Switches	256
Orifice Plates	150
Outside Air	
Humidity Radiation Shield	111
Humidity Transmitters	110-111
P	
Paddle	
Level Switches	262-263
Paddlewheel Transmitters	168-169,174-175
Panel Meters	282-285,287
Parameter Configuration Key	215
Particulate	
Monitor	308
Sensors	309
Transmitters	307
Penetration Probe Temperature Sensors	227
Perforated Cooling Towers	430
Photohelic®	22-27
Pipe Fittings	170,180,182
Piston Vibrators	277
Pitot Tubes	148-149,331-333
Averaging	96-97,334
Pneumatic	
Actuators	390-391
Ball Valves	362-376,380-386
Calibration Hand Pumps	349-350
Conveying	
Timer Boards	302-305
Fittings	432-442,446
Pocket Wind Meters	336
Position	
Indicators	411-414,416
Sensors	415
Switches	411-414,416
Transmitters	412-414
Positioners	420-424
Compact	424
Linear	420,423-424
Electro-Pneumatic	420-422
Pneumatic	420-421
Rotary	421-424
Powder And Bulk	
Level Switches	259-265
Level Transmitters	270
Power	
Supplies	294-297
Transformers	296-297

	PAGE
Precisor® II	420-422
Pressure	4-92
Applications	2-3
BACnet	50
Calibrators	321-325,349-352
Controllers	18-21,72
Data Loggers	353,357
Data Logging Software	17
Differential	
Gages	4-17
Switches	18-41
Transmitters	42-47,53-60
Digihelic Links™	17
Indicating Switches	71-73
Indicating Transmitters	71-73,90-91
Regulators	425-426
Single Pressure	61-92
Gages, Dial	61-66
Gages, Digital	67-71
Switch/Gages	71-73
Switches	74-82
Transmitters	71-73,83-92
Snubbers	430-431
Switches	18-41,71-82
Digital	18-21,71-73
Indicating	18-25,71-73
Null	37
Submersible	81
Two-Stage	38,74-75,78
Water Pump	82
Transmitters	18-21,42-60,71-73,82-92
Indicating	18-21,48,50,67,71,86-87
Sanitary	82
Pressure/Temperature Data Logger	354
Process	
Alarm Switch Modules	288
Controllers	203-208,210
Current Switches	291-292
Current Transformers	293
Data Loggers	353-358
Fan Speed Controllers	298
Filter Gage	4-5,17
Loop Alarms	288
Panel Meters/Indicators	209,282-287
Particulate (Dust or Broken Bag) Sensors	308-309
Particulate (Dust or Broken Bag) Transmitter	307
Signal Conditioners	289
Signal Converters/Isolators	289
Switches	
Alarm	288
Timer Boards	302-305
Process Control	279-312
Applications	280-281
Current Monitoring	
Current Transformers	293
Power Supplies	
24 AC To 24 DC	295
Transformers	
120 VAC to 24 VAC	296-297

INDEX BY CATEGORY

	PAGE
Pulse Valves	402-403
Pump	
Calibration	349-351
Controllers	274-276
Purge Meters	124-130
Q	
Quadraplex Pump Controllers	276
Quick Connect	
Pneumatic Fittings	440-442
Pneumatic Valves	440
Quick-View®	411
R	
Radiation Shield	111
Rate-Master® Flowmeter	126-127,145
Recorders	353-358
Reference Tables	453-455
Regulators	425-426
Relative Humidity	
Switches	108
Transmitters	109-113
Remote Mount	
Humidity Transmitters	112
RH	
Switches	108
Transmitters	109-113
Room Status Monitor	45
Rotameters	124-137
RTD	
Sensors	223-227,231-238
Transmitters	220-221,289
S	
SAE	
Valve	387
Sanitary	
Ball Valves	366-367,382-383
Pressure Transmitters	82
Self-Acting Temperature Control Valves	392-393
Sensors	
Air Velocity	96-103,148-151,331-334
Transmitters	105-107
Broken Bag	307-309
BTU	
Transmitters	185-186
Carbon Dioxide	
Transmitters	114-116
Carbon Monoxide	
Transmitters	117-118
Current	
Switches	291-292
Transmitters	293
Differential Pressure	
Transmitters	44-47,50,53-60
Flow	

	PAGE
Meters	124-152
Switches	156-166
Transmitters	166-192
Humidity	
Transmitters	109-113
HVAC	
Occupancy	118
Level	
Switches	245-253,255-263
Transmitters	266-268,270-273
Occupancy	118
Particulate	307-309
Position	411-416
Pressure	
Transmitters	18-20,83-92
Temperature	
Ambient Air	234,236
Duct Mount	232
Immersion	232-233,237
IR	238
Non-Contact	238
Outside Air	234,236
RTD	223-238
Surface	236-237
Thermocouple	223-230
Thermowells	200,229,237
Transmitters	109-116,218-222
Wall Mount	231
Shock and Vibration Resistant	36,44,85,92,290
Sight Flow	
Indicators	154-156,171-173
Transmitters	171-173
Signal	
Conditioners	289
Converters	289
Generators	348
Single Pressure Gages	
Dial	61-66
Slack Tube® Manometer	327
Smart Programmable Panel Meters	282
Software	
DigiHelic® Controller	17
HART® Communication	91
LoveLink™	208
Solar	
Thermometers	201
Solenoid Valves	
Enclosure	405
Enclosure with Timer	306
Spirahelic® Gage	66
Spiral Cooling Towers	430
Stainless Steel Fittings	433-438
Steam Control	
Manifolds	409-410
Valves	394-396
Strap Wrench	431
Submersible	
Level Transmitters	266-269
Pressure Switches	81

INDEX BY CATEGORY

	PAGE
Temperature Data Logger	356
Sump	
Level Switches	255
Surface Mount	
Temperature Sensors	236-237
Swing Vane Anemometer	335
Switch/Gages	18-28,71-73
Switches	
Bin Level	260-265
Current	291-292
Differential Pressure	18-41
Single Pressure	71-82
Flow	156-166
Gas Pressure	39
Humidity	108
Level	244-265
Limit	
Air Flow	104-105,156-159,162,164-166
Gas Pressure	39
Pressure	29-40,45,71-82
Relative Humidity	108
Position	411-416
Single Pressure	71-82
Temperature	209-216,288
T	
Tachometers	301,347
Technical Information	
Accuracy	451-452
Flow	123
Glossary	448-449
HVAC Measurement	316-319
HVAC Mobile App	450
Reference Tables	453-455
Temperature Sensors	223
Valves	361
Temperature	196-238
Applications	194-195
Control Valves	392-393
Controllers	203-214
Rail Mount	208
Software	208
Data Loggers	353-357
Handhelds	336-345
Indicators	196-214,283-288
Loggers/Recorders	353-358
Panel Meters/Indicators	283-284
Sensors	223-238
Ambient Air	234,236
Averaging	235
Averaging Sensor Clip	235
Duct	232
Extension Cables	230
Immersion	232-233,237
IR	238
Mineral Insulated	225
Non-Contact	238
Outside Air	234

	PAGE
Penetration	227
RTD	223-238
Sanitary	227
Surface	236
Thermistor	232-233
Thermocouple	225-230
Thermowells	200,229,237
Wall Mount	108,209-214
Signal Conditioners	289
Switches	108,209-214
Digital Indicating	
Weatherproof	214
Digital Panel Mount	210
Indicating	209-214
Limit	209-210
Low Limit	217
Thermostat	216
Two-Stage	213
Temperature/Process Controller	203-207
Thermometers	196-202
Clip-On	197
Dial	196-199
Digital	201
Glass	200
Remote Reading	201
Solar	201
Surface Mount	199
Thermowells	200,229,237
Transmitter Output	202
Thermostats	216
Transmitters	105,109-113,218-222
Enclosure	221
Indicating	202
Weatherproof	218-219
Test Equipment	320-358
Air Quality	340-345
Analyzers	
Flue Gas	346
Applications	314-315
Calibrators	348-352
Kits	321-322,342,344
Air Velocity	329-330,335,343
Gas Pressure	327
Portable Gage	328-329
RH	341,343
Universal Handheld	340-343
Leak Detectors	
Combustion	346
Pitot Tubes	331,333
Pumps	349-351
Thermohygrometers	343,345
Ultrasonic Thickness Gage	184
Thermo-Anemometers	337-338,343
Thermocouples	225-230
Thermocouples Transmitter	220-221,289
Thermohygrometers	340-345
Thermometers	
Dial	196-199
Digital	201

INDEX BY CATEGORY

	PAGE
Glass	200
Thermostat	216
Thermowells	200,229,237
Tilt Level Switches	258
Timer Boards	302-305
Timer Controllers	302-305
Timers	301
Totalizing Meters	
Flow	172-173,176-177,276
Toxic Fluids Control	
Manifold	409-410
Trademarks	456
Transducer	
Current to Pressure	417-419
Electro-Pneumatic	417
Transformers	
AC Power	296-297
Current	293
Transmitters	
Air Velocity	105-107
Carbon Dioxide	114-116
Carbon Dioxide and Temperature	114-116
Carbon Dioxide Temperature and Relative Humidity	115-116
Carbon Monoxide	117-118
Differential Pressure	18-21,42-60
Flow	166-192
Humidity	109-116
Duct Mount	110
Indicating	113
European	109
North American	109
Remote Mount	112
Wall Mount	109
European	109
North American	109
Humidity and Temperature	109-116
Level	266-273
Particulate	307
Position	412-414
Pressure	82-92
Temperature	109-113,202,218-222,289
True RMS Current Transformer	293
Tubing	
Accessories	443
Tuning Fork	
Level Switch	261
U	
U-Tube Manometers	326
Ultra-Mag™	264-265
Ultra-View™ Flowmeter	131
Ultrasonic	
Flowmeters	183-88
Level	
Transmitters	272-273
Ultrasonic Thickness Gage	184

	PAGE
V	
Valves	362-426
Actuated	362-367,376,380-386
Actuators	390-391
Angle Seat	397-398
Applications	360
Ball	362-369,376-386,390-391
Automated	362-369,376,380-386,390-391
Flanged	368-369,384-385
Manual	362-369,377-379,380-385
Mini	378-379
NPT	362-363,380-381
Regulators and Lubricators	425-426
Three-Piece	364-367
Three-Way	380-386
Tri-Clamp	366-367,382-383
Two-Piece	362,368-369,377
Two-Way	362-369,377
Uni-Flange	378
Butterfly	387
Two-Way	387
Check	405-406
Control	392-396
Controllers	188
Current to Pressure Transducers	16-18
Diaphragm	402-403
Electric Actuated	362-369,380-385
Enclosures	405
Globe	392,394-396
Manifold	406,409-410
Needle	406-407
Pneumatic Actuated	362-369,380-385,394-396
Position Indicator	416
Position Indicators/Switches/Transmitters	411-415
Positioners	420-424
Pulse	402-403
Quick Connect Pneumatic	440
SAE	387
Solenoids	399-401,405
Strainer	408
Technical Information	361
Temperature Control	392-393
Volume Booster	425
Vaneometers™	335
Variable Area	
Flowmeters	124-137
Venturi Meter/Gage	152
Vibrating Rod	
Level Switch	260
Vibration Resistant	40,62,65,74-75,77-78,83-84,148-149,387,406,415,419
Dial	62
Vibrators	277-278
View-Rite	242-243
Visi-Float® Flowmeter	128-130

INDEX BY CATEGORY

	PAGE
W	
Wall Mount	115-116
Carbon Dioxide/RH/ Temperature Transmitters	
European	116
North American	116
Carbon Dioxide and Temperature Transmitters	114-116
European	114
North American	114
Carbon Dioxide Transmitter	115
European	114-115
North American	114-115
Humidity Transmitters	109
Occupancy Sensors	118
Temperature Sensors	231
Water	
Control Manifold	409-410
Detectors	244
Meters	176-177
Pump Pressure Switches	82
Weatherproof Enclosures	221,276
Well Level Transmitter	267
Wet/Wet	
Differential Pressure Switches	40-41,45
Differential Pressure Transmitters	54-55,57-60
Wi-Fi	
Data Loggers	358
Wind Meters	335-336
Wind Speed Indicators	335-336
Wireless	340-344
Data Loggers	358
Z	
Zener Barriers	300

PRESSURE CONVERSION CHART

In/H ₂ O	P.S.I.	In/Hg	mm/H ₂ O	mm/Hg	kg/cm ²	bar	mbar	Pa	kPa
1	.0036	.0073	2.534	.1863	.0002	.0002	2.482	24.82	.0248
2	.0072	.0146	5.067	.3726	.0005	.0005	4.964	49.64	.0496
4	.0144	.0293	10.13	.7452	.0010	.0010	9.928	99.28	.0993
6	.0216	.0440	15.20	1.118	.0015	.0015	1.489	148.9	.1489
8	.0288	.0586	20.34	1.496	.0020	.0020	1.992	199.2	.1992
10	.0361	.0735	25.41	1.868	.0025	.0025	2.489	248.9	.2489
2	.0722	.1470	50.81	3.736	.0051	.0050	4.978	497.8	.4978
3	.1083	.2205	76.22	5.604	.0076	.0075	7.467	746.7	.7476
4	.1444	.2940	101.62	7.472	.0102	.0099	9.956	995.6	.9956
5	.1804	.3673	127.0	9.335	.0127	.0124	12.44	1244	1.244
6	.2165	.4408	152.4	11.203	.0152	.0149	14.93	1493	1.493
7	.2526	.5143	177.8	13.072	.0178	.0174	17.42	1742	1.742
8	.2887	.5878	203.2	14.940	.0203	.0199	19.90	1990	1.990
9	.3248	.6613	228.6	16.808	.0228	.0224	22.39	2239	2.239
10	.3609	.7348	254.0	18.676	.0254	.0249	24.88	2488	2.488
11	.3970	.8083	279.4	20.544	.0279	.0274	27.37	2737	2.737
12	.4331	.8818	304.8	22.412	.0304	.0299	29.86	2986	2.986
13	.4692	.9553	330.2	24.280	.0330	.0324	32.35	3235	3.235
14	.5053	1.029	355.6	26.148	.0355	.0348	34.84	3484	3.484
15	.5414	1.102	381.0	28.016	.0381	.0373	37.33	3733	3.733
16	.5774	1.176	406.4	29.879	.0406	.0398	39.81	3981	3.981
17	.6136	1.249	431.8	31.752	.0431	.0423	42.31	4231	4.231
18	.6496	1.322	457.2	33.616	.0457	.0448	44.79	4479	4.479
19	.6857	1.396	482.6	35.484	.0482	.0473	47.28	4728	4.728
20	.7218	1.470	508.0	37.352	.0507	.0498	49.77	4977	4.977
21	.7579	1.543	533.4	39.22	.0533	.0523	52.26	5226	5.226
22	.7940	1.616	558.8	41.09	.0558	.0547	54.74	5474	5.474
23	.8301	1.690	584.2	42.96	.0584	.0572	57.23	5723	5.723
24	.8662	1.764	609.6	44.82	.0609	.0597	59.72	5972	5.972
25	.9023	1.837	635.0	46.69	.0634	.0622	62.21	6221	6.221
26	.9384	1.910	660.4	48.56	.0660	.0647	64.70	6470	6.470
27	.9745	1.984	685.8	50.43	.0685	.0672	67.19	6719	6.719
28	1.010	2.056	710.8	52.26	.0710	.0696	69.64	6964	6.964
29	1.047	2.132	736.8	54.18	.0736	.0722	72.19	7219	7.219
30	1.083	2.205	762.2	56.04	.0761	.0747	74.67	7467	7.467
31	1.119	2.278	787.5	57.91	.0787	.0772	77.15	7715	7.715
32	1.155	2.352	812.8	59.77	.0812	.0796	79.63	7963	7.963
33	1.191	2.425	838.2	61.63	.0837	.0821	82.12	8212	8.212
34	1.227	2.498	863.5	63.49	.0862	.0846	84.60	8460	8.460
35	1.263	2.571	888.9	65.36	.0888	.0871	87.08	8708	8.708
36	1.299	2.645	914.2	67.22	.0913	.0896	89.56	8956	8.956
37	1.335	2.718	939.5	69.08	.0938	.0920	92.04	9204	9.204
38	1.371	2.791	964.9	70.95	.0964	.0945	94.53	9453	9.453
39	1.407	2.876	990.9	72.86	.0990	.0971	97.08	9708	9.708
40	1.444	2.940	1016	74.72	.1015	.0996	99.56	9956	9.956
41	1.480	3.013	1042	76.59	.1040	.1020	102.04	102.04	10.204
42	1.516	3.086	1067	78.45	.1066	.1045	104.52	104.52	10.452
43	1.552	3.160	1092	80.31	.1091	.1070	107.00	107.00	10.700
44	1.588	3.233	1118	82.18	.1116	.1095	109.50	109.50	10.950
45	1.624	3.306	1143	84.04	.1142	.1120	112.00	112.00	11.200
46	1.660	3.378	1168	85.90	.1167	.1144	114.50	114.50	11.444
47	1.696	3.453	1194	87.76	.1192	.1169	116.90	116.90	11.690
48	1.732	3.526	1219	89.63	.1218	.1194	119.40	119.40	11.940
49	1.768	3.600	1244	91.49	.1243	.1219	121.90	121.90	12.190
50	1.804	3.673	1270	93.35	.1268	.1244	124.40	124.40	12.440
51	1.840	3.748	1296	95.27	.1294	.1269	126.90	126.90	12.690
52	1.877	3.822	1321	97.13	.1320	.1294	129.40	129.40	12.940
53	1.913	3.895	1346	98.99	.1345	.1319	131.90	131.90	13.190
54	1.949	3.968	1372	100.8	.1370	.1344	134.40	134.40	13.440
55	1.985	4.041	1397	102.7	.1395	.1369	136.90	136.90	13.690
56	2.021	4.115	1422	104.6	.1421	.1393	139.30	139.30	13.930
57	2.057	4.188	1448	106.4	.1446	.1418	141.80	141.80	14.180
58	2.093	4.261	1473	108.3	.1471	.1443	144.30	144.30	14.430
59	2.129	4.335	1498	110.2	.1497	.1468	146.80	146.80	14.680
60	2.165	4.408	1524	112.0	.1522	.1493	149.30	149.30	14.930
61	2.202	4.483	1550	113.9	.1548	.1518	151.80	151.80	15.180
62	2.238	4.556	1575	115.8	.1573	.1543	154.30	154.30	15.430
63	2.274	4.630	1600	117.7	.1599	.1568	156.80	156.80	15.680
64	2.310	4.703	1626	119.5	.1624	.1593	159.30	159.30	15.930
65	2.346	4.776	1651	121.4	.1649	.1618	161.80	161.80	16.180
66	2.382	4.850	1676	123.3	.1674	.1642	164.20	164.20	16.420
67	2.418	4.923	1702	125.1	.1700	.1667	166.70	166.70	16.670
68	2.454	4.996	1727	127.0	.1725	.1692	169.20	169.20	16.920
69	2.490	5.070	1752	128.8	.1750	.1717	171.70	171.70	17.170
70	2.526	5.143	1778	130.7	.1776	.1742	174.20	174.20	17.420
71	2.562	5.216	1803	132.6	.1801	.1766	176.60	176.60	17.660
72	2.598	5.290	1828	134.4	.1826	.1791	179.10	179.10	17.910
73	2.635	5.365	1854	136.4	.1852	.1817	181.70	181.70	18.170
74	2.671	5.438	1880	138.2	.1878	.1842	184.20	184.20	18.420
75	2.707	5.511	1905	140.1	.1903	.1866	186.60	186.60	18.660
76	2.743	5.585	1930	141.9	.1928	.1891	189.10	189.10	18.910
77	2.779	5.658	1956	143.8	.1954	.1916	191.60	191.60	19.160
78	2.815	5.731	1981	145.7	.1979	.1941	194.10	194.10	19.410
79	2.851	5.805	2006	147.5	.2004	.1966	196.60	196.60	19.660
80	2.887	5.878	2032	149.4	.2030	.1991	199.10	199.10	19.910
81	2.923	5.951	2057	151.2	.2055	.2015	201.50	201.50	20.150
82	2.959	6.024	2082	153.1	.2080	.2040	204.00	204.00	20.400
83	2.996	6.100	2108	155.0	.2106	.2066	206.60	206.60	20.660
84	3.032	6.173	2134	156.9	.2131	.2091	209.10	209.10	20.910
85	3.068	6.246	2159	158.8	.2157	.2115	211.50	211.50	21.150
86	3.104	6.320	2184	160.6	.2182	.2140	214.00	214.00	21.400
87	3.140	6.393	2210	162.5	.2207	.2165	216.50	216.50	21.650
88	3.176	6.466	2235	164.4	.2233	.2190	219.00	219.00	21.900
89	3.212	6.540	2260	166.2	.2258	.2215	221.50	221.50	22.150
90	3.248	6.613	2286	168.1	.2283	.2239	223.90	223.90	22.390
91	3.284	6.686	2311	169.9	.2309	.2264	226.40	226.40	22.640
92	3.320	6.760	2336	171.8	.2334	.2289	228.90	228.90	22.890
93	3.356	6.833	2362	173.7	.2359	.2314	231.40	231.40	23.140
94	3.392	6.906	2387	175.5	.2384	.2339	233.90	233.90	23.390
95	3.429	6.981	2413	177.4	.2410	.2364	236.40	236.40	23.640
96	3.465	7.055	2438	179.3	.2436	.2389	238.90	238.90	23.890
97	3.501	7.128	2464	181.2	.2461	.2414	241.40	241.40	24.140
98	3.537	7.201	2489	183.0	.2486	.2439	243.90	243.90	24.390
99	3.573	7.275	2514	184.9	.2512	.2464	246.40	246.40	24.640
100	3.609	7.348	2540	186.8	.2537	.2488	248.80	248.80	24.880

P.S.I.	In/H ₂ O	In/Hg	mm/H ₂ O	mm/Hg	kg/cm ²	bar	mbar	Pa	kPa
1.0	27.71	2.036	703.1	51.75	.0703	.0689	68.95	6895	6.895
1.1	30.45	2.240	773.4	56.89	.0773	.0758	75.84	7584	7.584
1.2	33.22	2.443	843.7	62.06	.0844	.0827	82.74	8274	8.274
1.3	35.98	2.647	914.0	67.23	.0914	.0896	89.63	8963	8.963
1.4	38.75	2.850	984.3	72.40	.0984	.0965	96.52	9652	9.652
1.5	41.52	3.054	1054.6	77.57	.1055	.1034	103.40	10340	10.340
1.6	44.29	3.258	1124.9	82.74	.1125	.1103	110.30	11030	11.030
1.7	47.06	3.461	1195.2	87.92	.1195	.1172	117.20	11720	11.720
1.8	49.82	3.665	1265.5	93.09	.1266	.1241	124.10	12410	12.410
1.9	52.59	3.868	1335.8	98.26	.1336	.1310	131.00	13100	13.100
2.0	55.36	4.072	1406.1	103.43	.1406	.1379	137.90	13790	13.790
2.1	58.13	4.276	1476.4	108.60	.1476	.1448	144.80	14480	14.480
2.2	60.90	4.479	1546.7	113.77	.1547	.1517	151.70	15170	15.170
2.3	63.67	4.683	1617.0	118.94	.1617	.1586	158.60	15860	15.860
2.4	66.43	4.886	1687.3	124.11	.1687	.1655</			

Dwyer[®]
Manufacturing Excellence
Since 1931

2016



TO ORDER:

Phone: 219/879-8000 | Fax: 219/872-9057

dwyer-inst.com