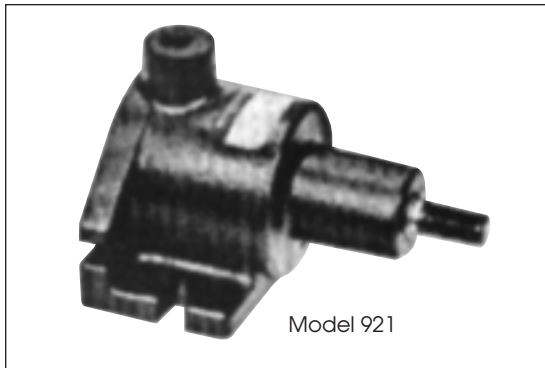




Series 900 Clamping Cylinders



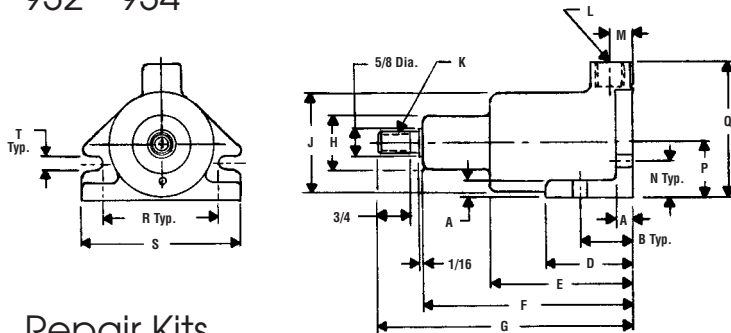
Application Information

- Single acting, spring return cylinder available in 2", 3" or 4" bore sizes in 1" and 2" stroke lengths.
- Cast aluminum body is corrosion resistant.
- Body is designed for horizontal or vertical mounting.
- Slotted mounting holes permit fast and easy installation or relocation.
- For air service up to 150 PSI.
- Stress proofed steel chrome plated piston rod.
- Available with threaded and non-threaded piston rods.

Ordering Information: Select three digit model number which pertains to bore and stroke from chart below.

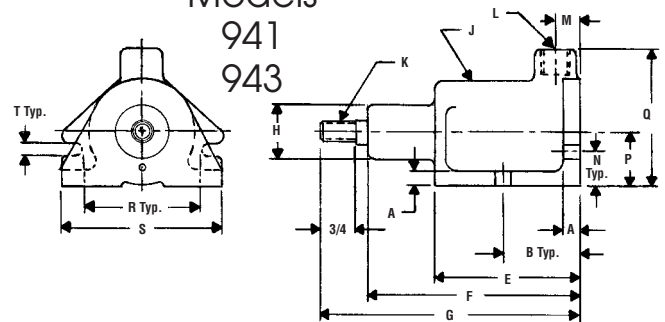
Models

921 923
922 924
931 933
932 934



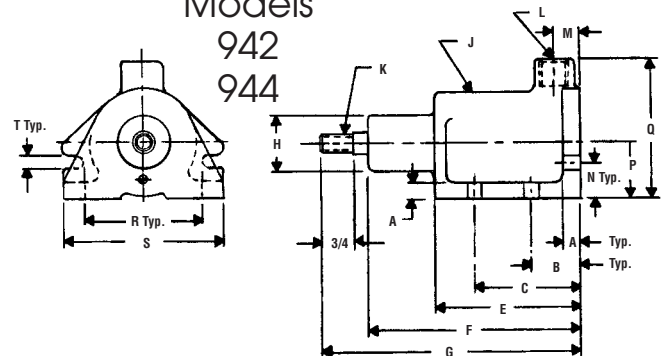
Models

941
943



Models

942
944



Repair Kits

MODELS	NO.
921, 922, 923, 924	7021
931, 932, 933, 934	7023
941, 942, 943, 944	7025

Dimensions

Model No.	Non-Rod Th'd. No.	Th'd. Rod In.	Bore Dia. In.	Stroke In.	Spring Force Lbs.	A	B	C	D	E	F	G	H Dia.	J Dia.	K Th'd.	L NPTF	M	N	P	Q	R	S	T
921	923	2	1	9-18	3/8	1-3/16	-	2	2-1/8	3-3/4	4-3/4	1-1/4	2-3/8	1/2-13	1/8-27	35/64	27/32	1-9/32	3-7/32	2-5/8	3-5/8	9/32	
922	924	2	2	7-23	3/8	1-3/16	-	2	3-1/8	4-3/4	5-3/4	1-1/4	2-3/8	1/2-13	1/8-27	35/64	27/32	1-9/32	3-7/32	2-5/8	3-5/8	9/32	
931	933	3	1	20-38	1/2	1-1/4	-	2-1/16	2-3/8	4-3/16	5-3/16	1-3/8	3-3/8	1/2-13	1/4-18	19/32	1-7/32	1-27/32	4-11/32	3-5/8	4-7/8	13/32	
932	934	3	2	20-55	1/2	1-1/4	-	2-1/16	3-3/8	5-3/16	6-3/16	1-3/8	3-3/8	1/2-13	1/4-18	19/32	1-7/32	1-27/32	4-11/32	3-5/8	4-7/8	13/32	
941	943	4	1	25-30	1/2	1-11/16	-	-	2-23/32	5-13/32	6-13/32	2	4-1/2	3/4-10	1/4-18	3/4	1-3/8	2-3/8	5-5/16	4-11/16	6	7/16	
942	944	4	2	20-30	1/2	1-3/16	2-5/8	-	3-23/32	6-13/32	7-13/32	2	4-1/2	3/4-10	1/4-18	3/4	1-3/8	2-3/8	5-5/16	4-11/16	6	7/16	

CONTROL LINE EQUIPMENT, INC.
14750 Industrial Parkway • Cleveland, Ohio 44135
(216) 433-7766 • FAX: (216) 433-7664

