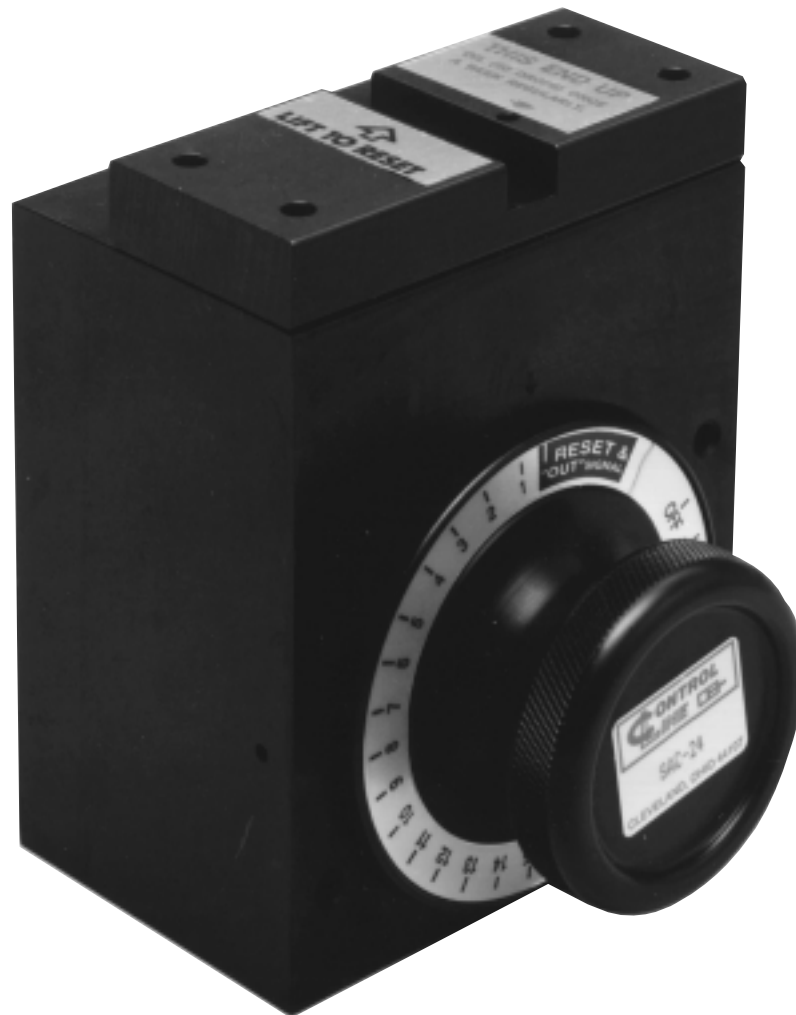


PNEUMATIC COUNTERS



PRE-DETERMINING OR TOTALIZING
TYPE COUNTERS



CONTROL LINE EQUIPMENT, INC.

14750 Industrial Parkway • Cleveland, Ohio 44135
(216) 433-7766 • FAX: (216) 433-7664

Select-A-Count® Pneumatic Programmer

WHAT IT DOES

1. COUNTS air signals delivered to the SAC-24.
2. STORES and accumulates the count information indefinitely. Upon receipt of the last "count" signal, a built in valve opens the separate air supply to the outlet port and...
3. DELIVERS this air to perform work function(s).
4. RESETS automatically for another cycle only when the last "count" signal is released (exhausted).



HOW IT WORKS

Each "count" signal operates a ratchet piston which advances a 24 tooth circular gear by one tooth. When the last "count" signal is received, a pin in the circular gear operates an internal 1/8" 3-way N/C valve supplying air to the OUT port. This 3-way valve also operates a second piston which allows the circular gear to return to the start position for another cycle when the last "count" signal is released (exhausted).

REPEATABILITY AND RELIABILITY

Proper lubrication, correct pressures and CRISP COUNT SIGNALS are the keys to trouble free service and multi-million cycle life. Weak or erratic count signals may prevent a proper count. Slow exhaust of a count signal can be corrected by installing a quick exhaust valve with a close nipple, to the count port.

PORTS (ALL): 1/8 NPT

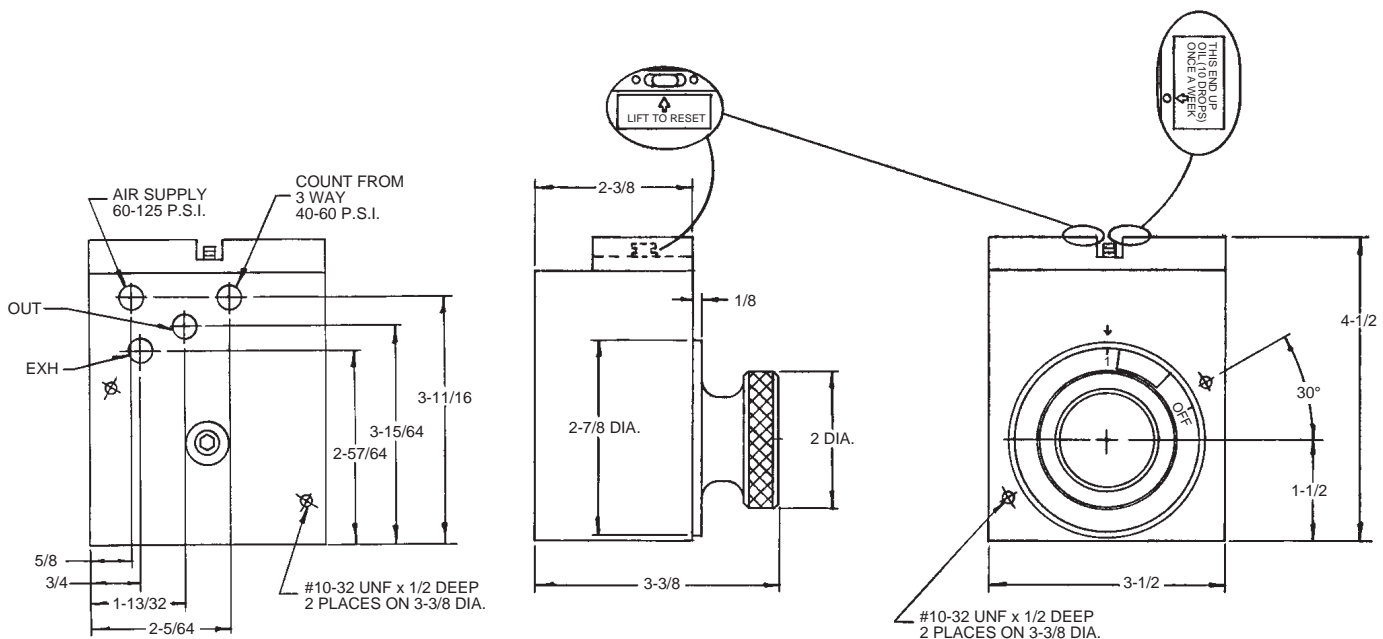
COUNTS PER SECOND: up to 2-1/2 (including reset time)

OUT SIGNAL (CFM): multiply PSI by .22 (27.5 cfm @ 125 PSI)

WEIGHT: 4 pounds

FINISH: black anodized aluminum

MOUNTING: It is recommended that the SAC-24 be mounted with the oil hole up.



IMPULSE COUNTERS

DESCRIPTION

Model AC-6 is a six digit totalizing counter. A pneumatic* signal or impulse, exhausted to atmosphere between inputs, advances the counter one digit each time signal is present. The counter is useful for event recording, piece or part counting or cycle counting. This counter can be used in general counting applications where mechanical or electrical drives are impractical or inconvenient. It is ideal where the surrounding atmosphere prohibits the use of the other types of counting devices. The count is maintained until manually reset.



SPECIFICATIONS

SIGNAL PRESSURE RANGE: 25 to 125 PSI

MAXIMUM COUNT SPEED: 300 counts per minute

TYPE: six digit "count-up" totalizer

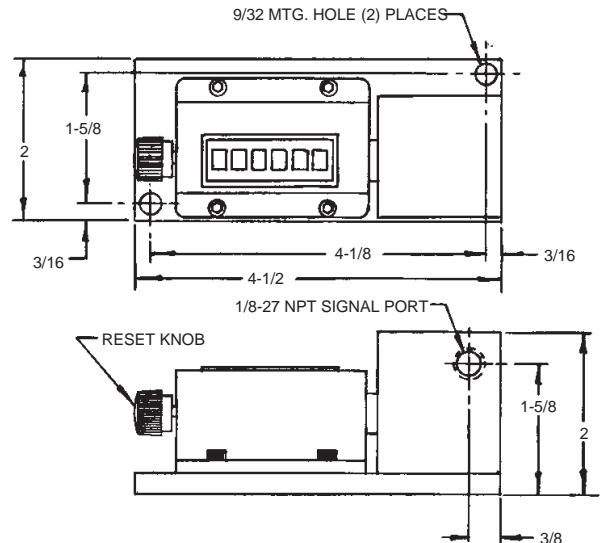
MOUNTING: thru hole base mounting - orientation is not critical

RESET: manual reset knob returns display to zero

WEIGHT: 14 ounces

CONSTRUCTION MATERIALS: anodized aluminum, case hardened steel and acetal plastic

* Consult factory for hydraulic service.



HOW TO ORDER:

ORDER AIR COUNTERS BY MODEL NUMBER:

SAC-24 for a Select-A-Count

AC-6 for a Totalizer

CONTROL LINE EQUIPMENT, INC.

14750 Industrial Parkway • Cleveland, Ohio 44135
(216) 433-7766 • FAX: (216) 433-7664

DISTRIBUTED BY: