

COMPACT[®]
AUTOMATION PRODUCTS

Subsea Hydraulic Rotary Valve Operators



H3TA Double Acting 1/4 Turn Valve Operator (3000 psi)

Double Acting 1/4 Turn Valve Operator

- Subsea Valve Sizes from 1/4" to 1"
- 190 ft. lbs. to 240 ft. lbs. (257 Nm to 325 Nm)

ITT Vane Actuators provide the highest torque in the smallest package.

Compared to other rotary devices, ITT Vane Actuators Have One Moving Part Providing:

- ZERO Backlash
- No Loss of Motion
- Smooth Rotation
- Precise Repeatability
- Continuous Full Torque Throughout Rotation



SPECIFICATIONS

Unit Materials

Tube/Heads/Rotor.....316 Stainless Steel
 Shaft.....Super Duplex (2507 S.S.)
 Optional Bracket/Coupling.....316 Stainless Steel

Features

PortsSAE-4 (Per J1926-1)
 Shaft Connection - 5/8" Square at both ends with 0.19" Cross Hole
 Mounting Holes - 4x, 5/16"-18 Tapped Holes on Three Sides

Operating Pressure

1000 to 3000 psi (70 to 200 BAR)

Operating Depth

10,000 feet below sea level,
 (pressure compensation recommended)

Operating Temperature Range

-10°F to 150°F (-23°C to +65°C)

Operating Fluid

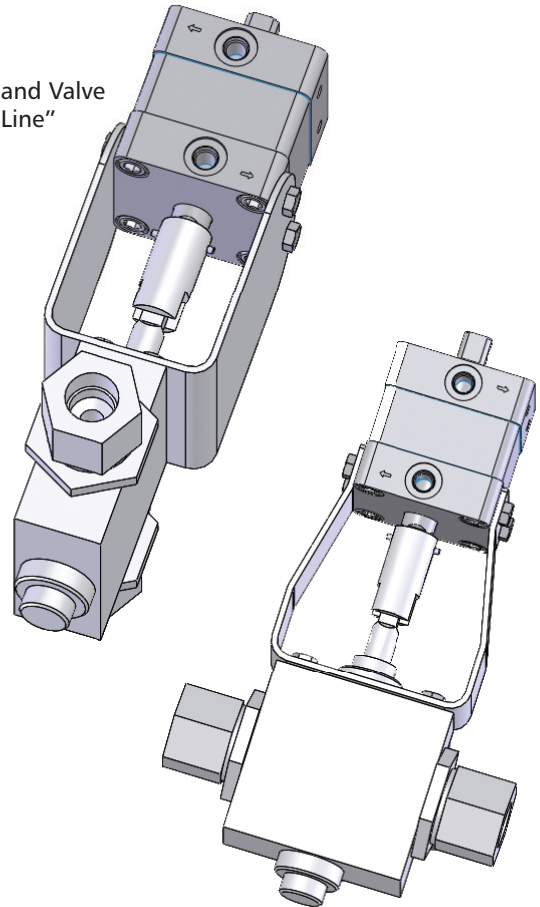
ISO 22/32 Hydraulic Oil, Water-Glycol Solutions

ACTUATORS WITH BRACKETS AND COUPLINGS FOR VALVE MOUNTING

Torque Chart			
Actuator Model	Actuator Torque at 3000 psi		
	ft.-lbf.	Nm	in.-lbf.
H3TA90X1	190	257	2280
H3TA90X12	240	325	2880

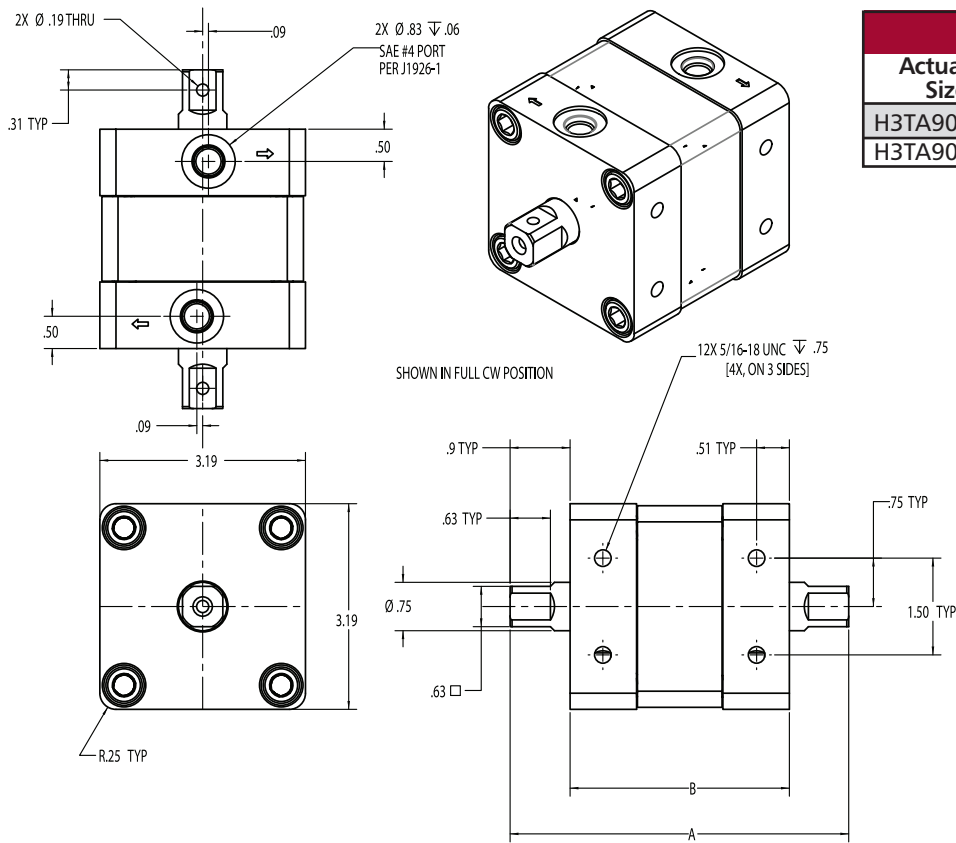
Weight	
Actuator Model	Pounds
H3TA90X1	8.79
H3TA90X12	9.26

Actuator and Valve Ports "In-Line"



Actuator and Valve Ports 90° "Perpendicular"

H3TA Dimensional Information



Dimensions (in.)		
Actuator Size	A	B
H3TA90X1	5.25	3.40
H3TA90X12	5.45	3.60

How To Order: H3TA Double Acting Valve Operator

Part Number Example: H3TA90X1-IBCAES2B4

MODEL	SIZE	OPTIONAL-BRACKET & COUPLING
H3TA90X	1	IBCAES2B4
1	2	3

Model	
Service - Pressure	
H3TA90X	3000 psi

Size	
1	190 ft.-lbf.
12	240 ft.-lbf.

Bracket and Couplings (Optional)			
IBCAES2B4	Ports In-Line Coupling and Bracket for 1/4" Autoclave Valve	Use with H3TA90X1	
PBCAES2B4	Ports 90 Coupling and Bracket for 1/4" Autoclave Valve		
IBCAES2B6	Ports In-Line Coupling and Bracket for 3/8" Autoclave Valve		
PBCAES2B6	Ports 90 Coupling and Bracket for 3/8" Autoclave Valve		
IBCBT38	Ports In-Line Coupling and Bracket for 3/8" Butech Valve*		
PBCBT38	Ports 90 Coupling and Bracket for 3/8" Butech Valve*		
IBCAES2B8	Ports In-Line Coupling and Bracket for 1/2" Autoclave Valve		
PBCAES2B8	Ports 90 Coupling and Bracket for 1/2" Autoclave Valve		
IBCAES2B12	Ports In-Line Coupling and Bracket for 3/4" Autoclave Valve		
PBCAES2B12	Ports 90 Coupling and Bracket for 3/4" Autoclave Valve		
IBCAES2B16	Ports In-Line Coupling and Bracket for 1" Autoclave Valve		Use with H3TA90X12
PBCAES2B16	Ports 90 Coupling and Bracket for 1" Autoclave Valve		

*Compatible with BuTech C-1128, C-1147, C-1727, C-1768, C-2013, C-2120 and Series 90

H05TA Double Acting 1/4 Turn Valve Operator (500 psi)

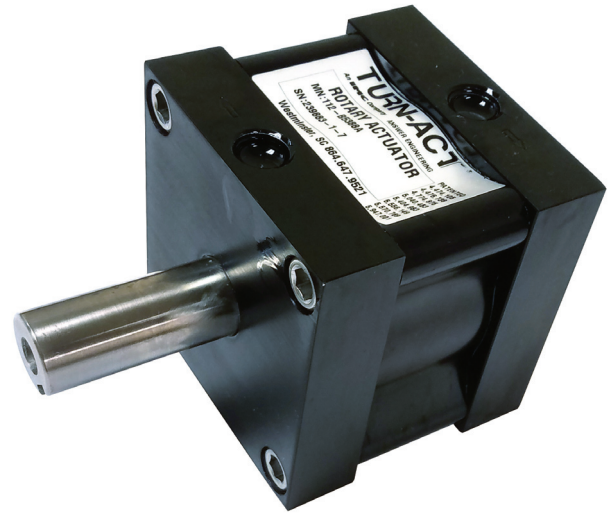
Double Acting 1/4 Turn Valve Operator

- 76 ft. lbs. to 146 ft. lbs.

ITT Vane Actuators provide the highest torque in the smallest package.

Compared to other rotary devices, ITT Vane Actuators Have One Moving Part Providing:

- ZERO Backlash
- No Loss of Motion
- Smooth Rotation
- Precise Repeatability
- Continuous Full Torque Throughout Rotation



SPECIFICATIONS

Unit Materials

Tube/Heads/Rotor.....Hard Coat Anodized Aluminum
 Shaft.....316 Stainless Steel
 Optional Bracket/Coupling.....316 Stainless Steel

Features

PortsSAE-4 (Per J1926-1)
 Shaft Connection - Keyed/Flatted (KF) or Both Ends Flatted (DF)
 Mounting Holes - 4x, 5/16"-18 Tapped Holes on Three Sides

Operating Pressure

100 to 500 psi (6.9 to 34 BAR)

Operating Depth

10,000 feet below sea level,
 (unit must be pressure compensated)

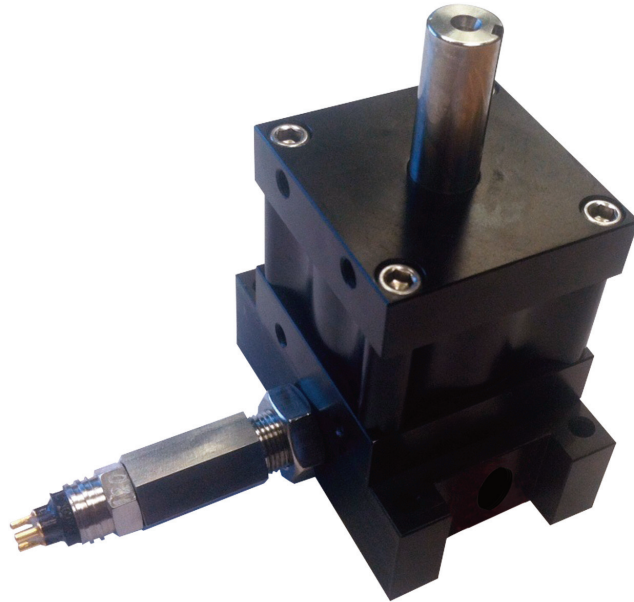
Operating Temperature Range

-10°F to 150°F. (-23°C to +65°C)

Operating Fluid

ISO 22/32 Hydraulic Oil, Water-Glycol Solutions

ACTUATOR SENSING OPTIONS



Custom sensing options are available upon request, consult factory for non-catalog items.

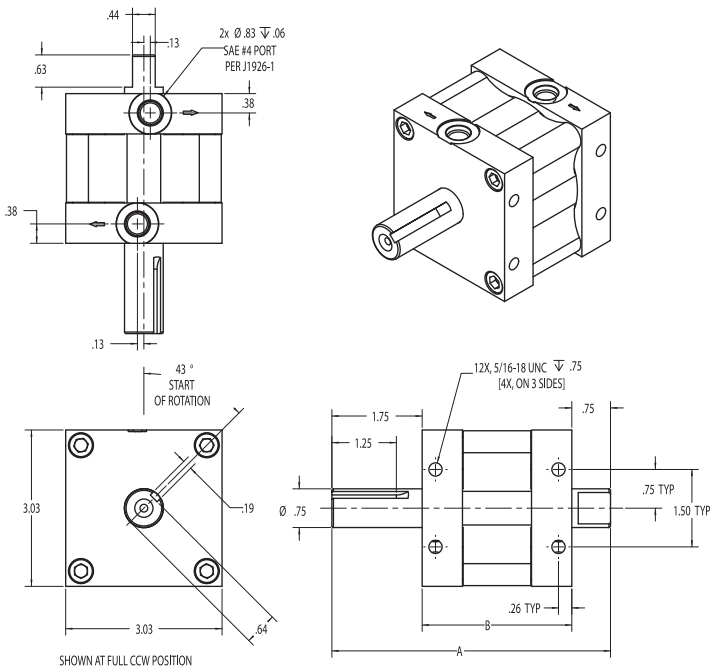
Torque Chart

Actuator Model	Actuator Torque at 500 psi		
	ft.-lbf.	Nm	in.-lbf.
H05TA90X1	76	103	912
H05TA90X2	146	198	1752

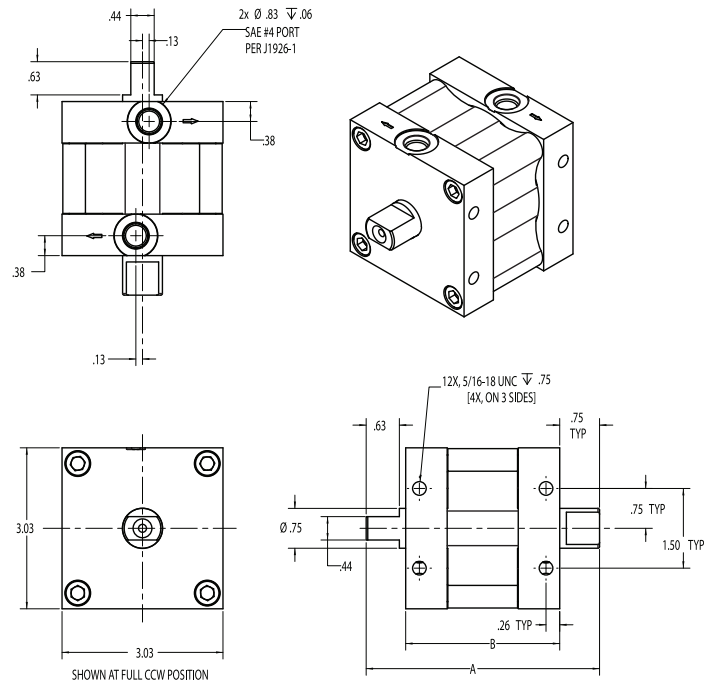
Weight

Actuator Model	Shaft End Type	Pounds
H05TA90X1	KF	2.56
	DF	2.42
H05TA90X2	KF	3.38
	DF	3.19

H05TA Dimensional Information



Keyed Shaft Option (KF) shown.

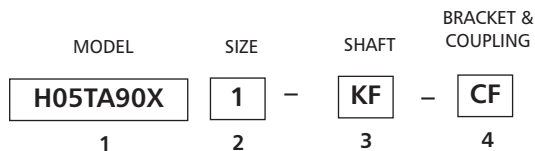


Double Flatted Shaft option (DF) shown.

Dimensions (in.)		
Actuator Size	A	B
H05TA90X1-KF	5.40	2.90
H05TA90X2-KF	6.90	4.40
H05TA90X1-DF	4.40	2.90
H05TA90X2-DF	5.90	4.40

How To Order: H05TA Double Acting Valve Operator

Part Number Example: H05TA90X1-KF-000



1 Model	
Service - Pressure	
H05	500 psi service pressure

3 Shaft	
KF	Keyed and Double Flatted Shaft
DF	Double Flatted Shaft

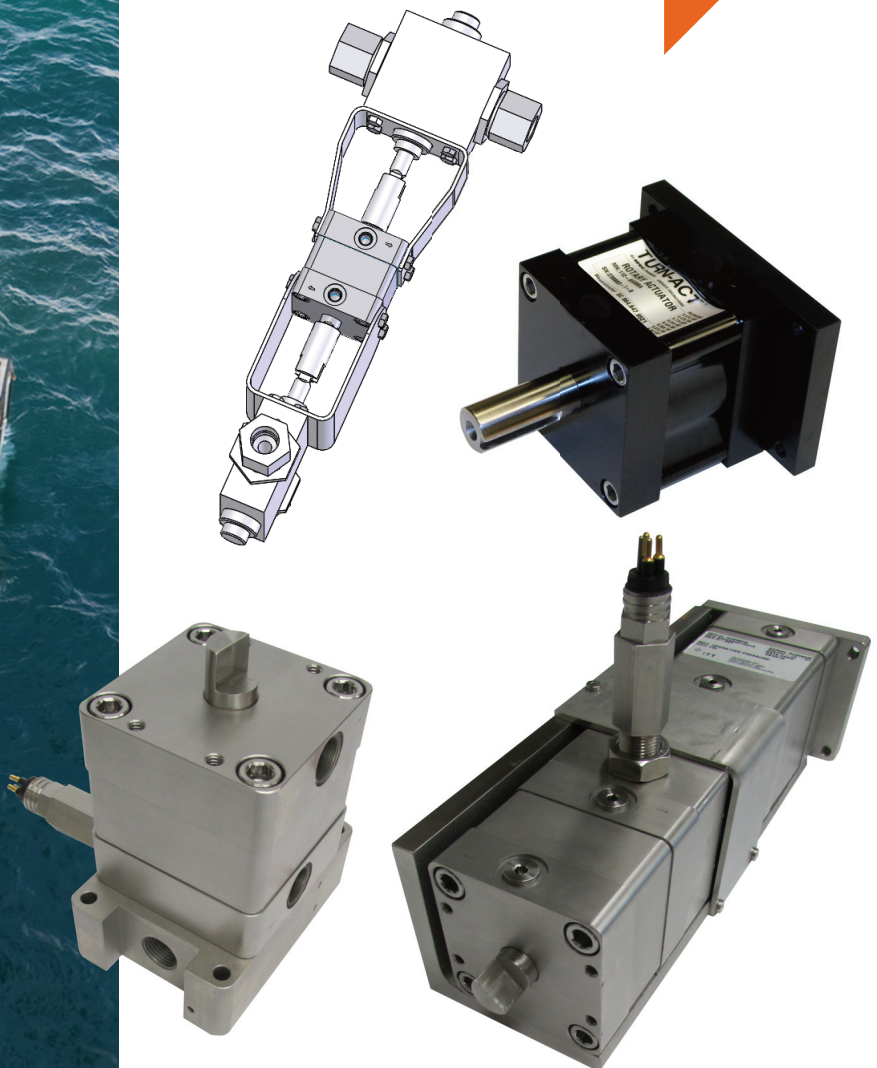
2 Size	
1	76 ft.-lbf.
2	146 ft.-lbf.

4 Bracket and Coupling	
CF	Contact Factory

Custom H3TA90X and H05TA90X Actuators Available

Contact us today for custom modifications to meet your specific application requirements.

- Brackets and Couplings for ANY Valve
- Actuators with Position Sensors and Flange Mounts
- Actuators with Two Valves
- Contact us today to speak with one of our knowledgeable staff at 1.864.647.9521 or CAP_CustomerService@itt.com

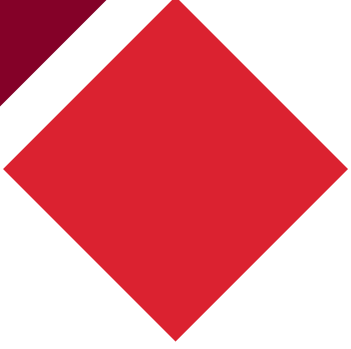
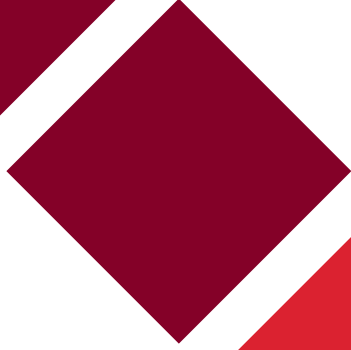


Warranty Statement

Warranty

Seller warrants for one year from the date of shipment Seller's manufactured products to the extent that Seller will replace those having defects in material or workmanship when used for the purpose and in the manner which Seller recommends. If Seller's examination shall disclose to its satisfaction that the products are defective, and an adjustment is required, the amount of such adjustment shall not exceed the net sales price of the defective products only and no allowance will be made for labor or expense of repairing or replacing defective products or workmanship or damage resulting from the same. Seller warrants the products which it sells of other manufacturers to the extent of the warranties of their respective makers. Where engineering design or fabrication work is supplied, Buyer's acceptance of Seller's design or of delivery of work shall relieve Seller of all further obligation, other than as expressed in Seller's product warranty. THIS IS SELLER'S SOLE WARRANTY. SELLER MAKES NO OTHER WARRANTY OF ANY KIND, EXPRESSED OR IMPLIED. AND ALL IMPLIED WARRANTIES OF MERCHANTABILITY AND FITNESS FOR A PARTICULAR PURPOSE WHICH EXCEED SELLER'S AFORESTATED OBLIGATION ARE HEREBY DISCLAIMED BY SELLER AND EXCLUDED FROM THIS WARRANTY. Seller neither assumes, nor authorizes any person to assume for it, any other obligation in connection with the sale of its engineering designs or products. This warranty shall not apply to any products or parts of products which (a) have been repaired or altered outside of Seller's factory, in any manner; or (b) have been subjected to misuse, negligence or accidents; or (c) have been used in a manner contrary to Seller's instructions or recommendations. Seller shall not be responsible for design errors due to inaccurate or incomplete information supplied by Buyer or its representatives.

SELLER'S LIABILITY: Seller will not be liable for any loss, damage, cost of repairs, incidental or consequential damages of any kind, whether based upon warranty (except for the obligation accepted by Seller under "Warranty" above), contract or negligence, arising in connection with the design, manufacture, sale, use or repair of the products or of the engineering designs supplied to Buyer.



COMPACT[®]
AUTOMATION PRODUCTS

Compact Automation Products, LLC
105 Commerce Way
Westminster, SC 29693
Tel: 864.647.9521
Fax: 864.647.9574
www.compactautomation.com

CAP1195R1

An ITT Company

12/20