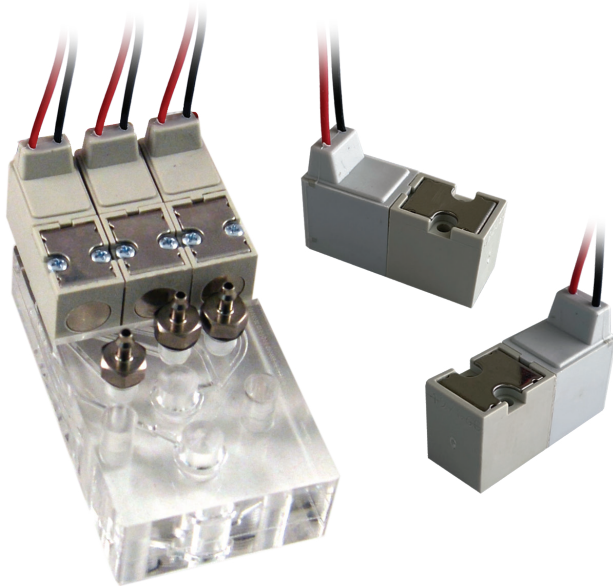


E2S SERIES ISOLATION VALVES



The E2S series valve combines the versatility of Clippard's compact 10 mm valve line with the advantages of media isolation. With a durable, glass-filled nylon body and an EPDM diaphragm that separates the actuation mechanism from the flow path, the E2S series is an excellent choice for dispensing a wide range of aggressive gases and liquids in applications that require compact, electronically-controlled valves. Applications include printing equipment, medical diagnostic devices, dental equipment, fermentation, water treatment, spraying applications, and more.

Connection	11.8" (30 cm) wire leads
Flow Range	15 to 30 l/min
Function	2-way normally-closed isolation (<i>monodirectional</i>)
Material, Body	Nylon
Material, Seals	EPDM
Material, Wetted	Glass-filled nylon, EPDM
Max. Flow	30 l/min
Max. Temperature of Coil	311°F (155°C)
Medium	Air, water, gas, or compatible fluids
Mount	M2x14
Operating Temp. Range	14 to 122°F (-10 to 50°C) <i>Must use clean, dry air when <32°F (0°C)</i>
Operating Pressure	0 to 36 psig (2.5 bar)
Response Time	6 ms
Voltage	12 to 24 VDC
Wattage	1.3 to 2.8 watts
More Details	clippard.com/link/e2s

ORDERING INFORMATION

E 2 S 1 0 □ W □

Orifice and Wattage

Voltage

C-2 0.03" (0.8 mm), 1.3 watts—15 l/min @ 36 psig (2.5 bar)
 F-4 0.05" (1.2 mm), 2.0 watts—30 l/min @ 36 psig (2.5 bar)
 H-4 0.06" (1.4 mm), 2.0 watts—18 l/min @ 15 psig (1 bar)
 J-5 0.06" (1.6 mm), 2.8 watts—22 l/min @ 15 psig (1 bar)

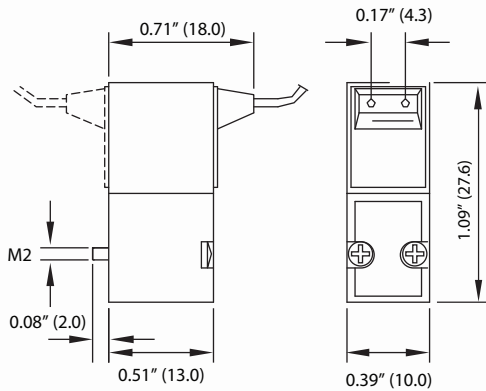
012 12 VDC
 024 24 VDC

Example Part Number:

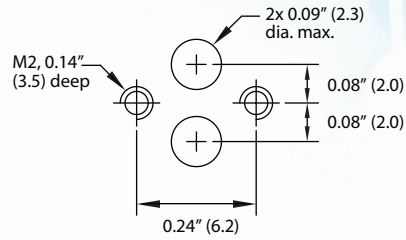
E2S10C-2W012

For more info, scan the
 QR code or visit
clippard.com/link/e2s

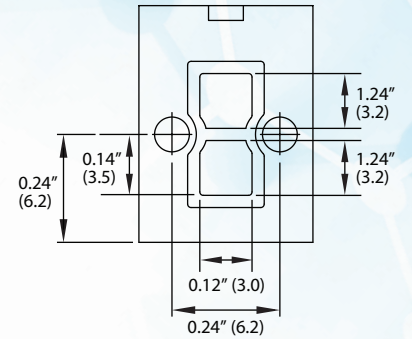




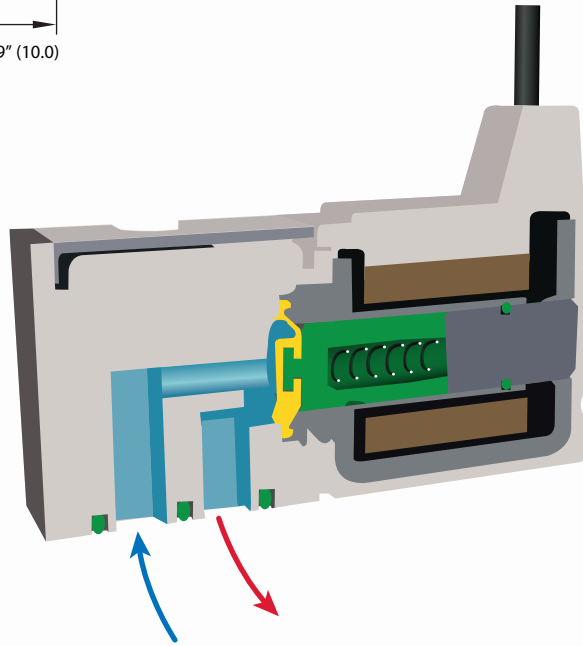
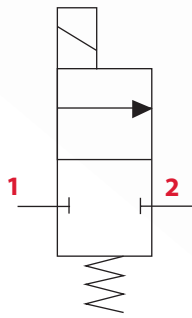
Suggested Subbase



Pneumatic Interface



2-Way Monodirectional



Dimensions shown are in inches (millimeters listed in parentheses). Visit clippard.com for more detailed 2D and 3D drawings.

Customization Options

- Voltage
- Power
- Electrical Connectors
- IP Protection
- Pressures
- Silent operation for quiet environments

