

Clippard

CORDIS CUSTOM CALIBRATED SENSORS



Known for reliability, innovation and focus on miniature pneumatics, Clippard has now expanded the Cordis family with our new transducer line. These piezoresistive silicone pressure sensors can either be used as feedback for the CPC Pressure Controller or as a standalone transducer. Current optional outputs are 0 to 5 VDC, 0 to 10 VDC and 0.5 to 4.5 VDC. These transducers are conditioned, temperature compensated and offer a customized calibration specific to your application requirements. This allows for a full-scale accuracy of 0.25% over the calibrated range.

Multiple mounting options allow the user to place the sensor downstream or in a remote location from the pressure controller. This creates a quicker response and helps avoid any lag in the system.

The manifold mount lends itself well to analytical value-added assemblies. All wetted materials are Oxygen compatible and manifold mounting eliminates any possible contamination during assembly.

Medium	Clean, dry, non-corrosive gases
Material, Wetted	Body: Aluminum, Sensor: Polyamide, O-Rings: FKM, Fitting: ENP Brass, Manifold: Anodized Aluminum
Calibrated Pressure Range	Vac to 150 psig
Typical Response Time	<5 ms
Accuracy	±0.25% of Full Scale
Linearity	±0.25% BFUL
Port Size	1/8" NPT, 7/16-20, Manifold or 1/8-28 BSPT
Operating Temperature Range	32° to 158°F
Mounting Attitude	Any
More Details	clippard.com/link/sensors
Voltage	12 to 24 VDC
Current Draw	<20 mA
Protection Rating	IP65
Signal Output	0 to 5 VDC, 0 to 10 VDC or 0.5 to 4.5 VDC



Custom calibrated sensor with Cordis CPC Proportional Pressure Controller (ordered separately)

- Stand-alone unit or used in conjunction with Clippard's Cordis Pressure Controls
- Downstream sensor feedback
- Multiple VDC signal outputs
- Static or dynamic applications
- Multiple electrical connection options
- Customizable pressure ranges and mounting options
- IP65 Rated
- Temperature compensated



PART NO.

-

-

Port Size

CPS-F Male 1/8" NPT
 CPS-I 7/16-20 UNF
 CPS-M Manifold
 CPS-R Male 1/8" BSPT

Signal Output

E 0 to 10 VDC
 F 0 to 5 VDC
 G 0.5 to 4.5 VDC

Standard Calibrated Range

-A 0 to 1 psig -L 0 to 4 bar
 -B 0 to 5 psig -M 0 to 7 bar
 -C 0 to 15 psig -N 0 to 10 bar
 -D 0 to 30 psig -O 0 to 15 psia
 -E 0 to 60 psig -P 0 to 30 psia
 -F 0 to 100 psig -Q 0 to 100 psia
 -G 0 to 150 psig -R -5 to +5 psid
 -H 0 to 0,1 bar -S -15 to +15 psid
 -I 0 to 0,5 bar -T 0 to 10" H2O
 -J 0 to 1 bar -U -10" to +10" H2O
 -K 0 to 2 bar -V 0 to 4" H2O

Unit of Measure

-A psig -P Positive
 -B bar -V Vacuum
 -C psia
 -D mBar
 -E inHg
 -F mmHg
 -G Torr
 -H H2O
 -I kPA

Custom Calibrated Range

± Pressure

P Positive
 V Vacuum

Offset - Low

0.00 Low End (manual entry)

Calibrated High

0.00 High End (manual entry)

Electrical Connection

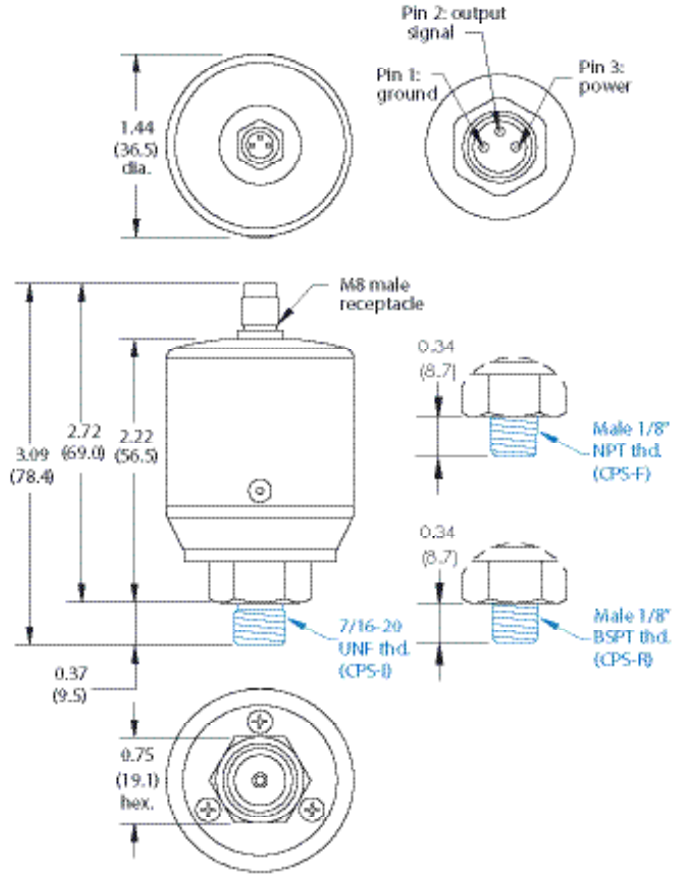
A Flying Leads, 36"
 B M8 Cable, 36" *
 C M8 Male 3-Pin Connector

*For use when connected to a Clippard CPC Cordis Pressure Controller only (-Z option)

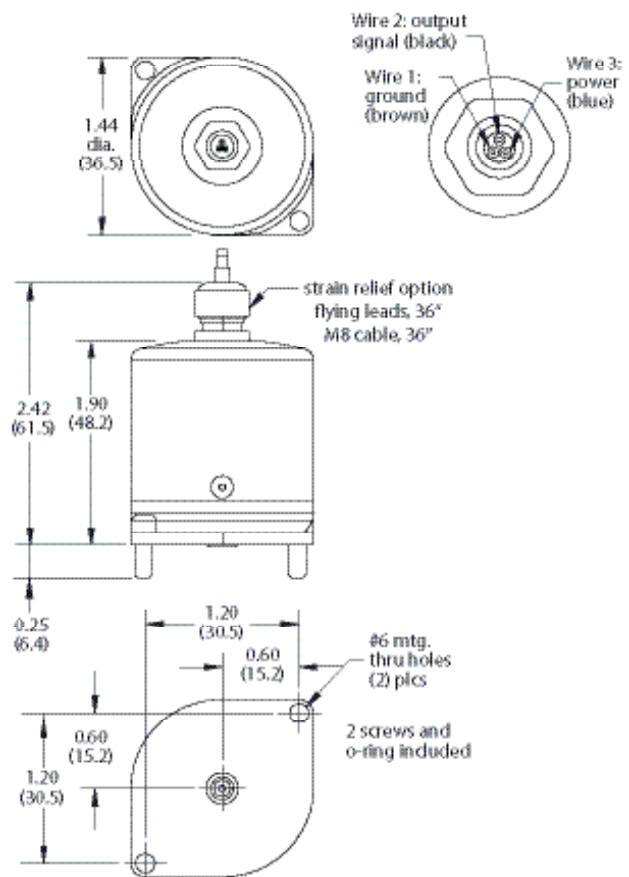
Accessories

CPSH-C1 Mating Cable, 36" (for "C" Electrical Connection only)

Thread Mount



Manifold Mount



r
n
k
: