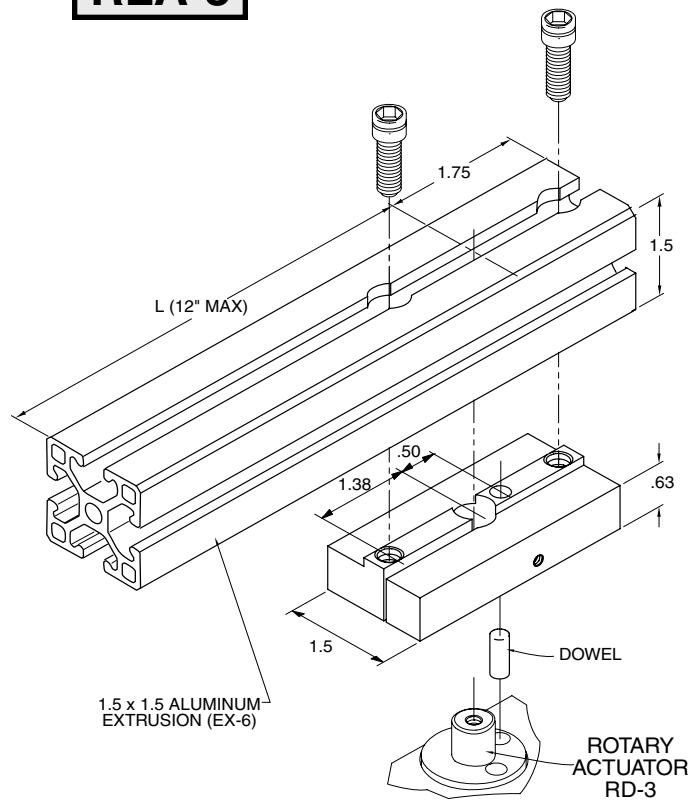
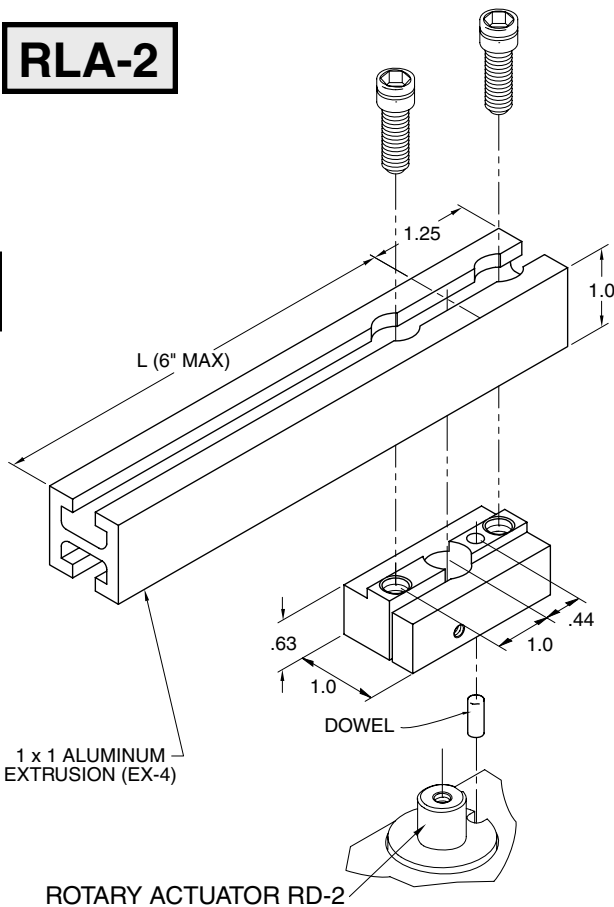


**RLA-2**

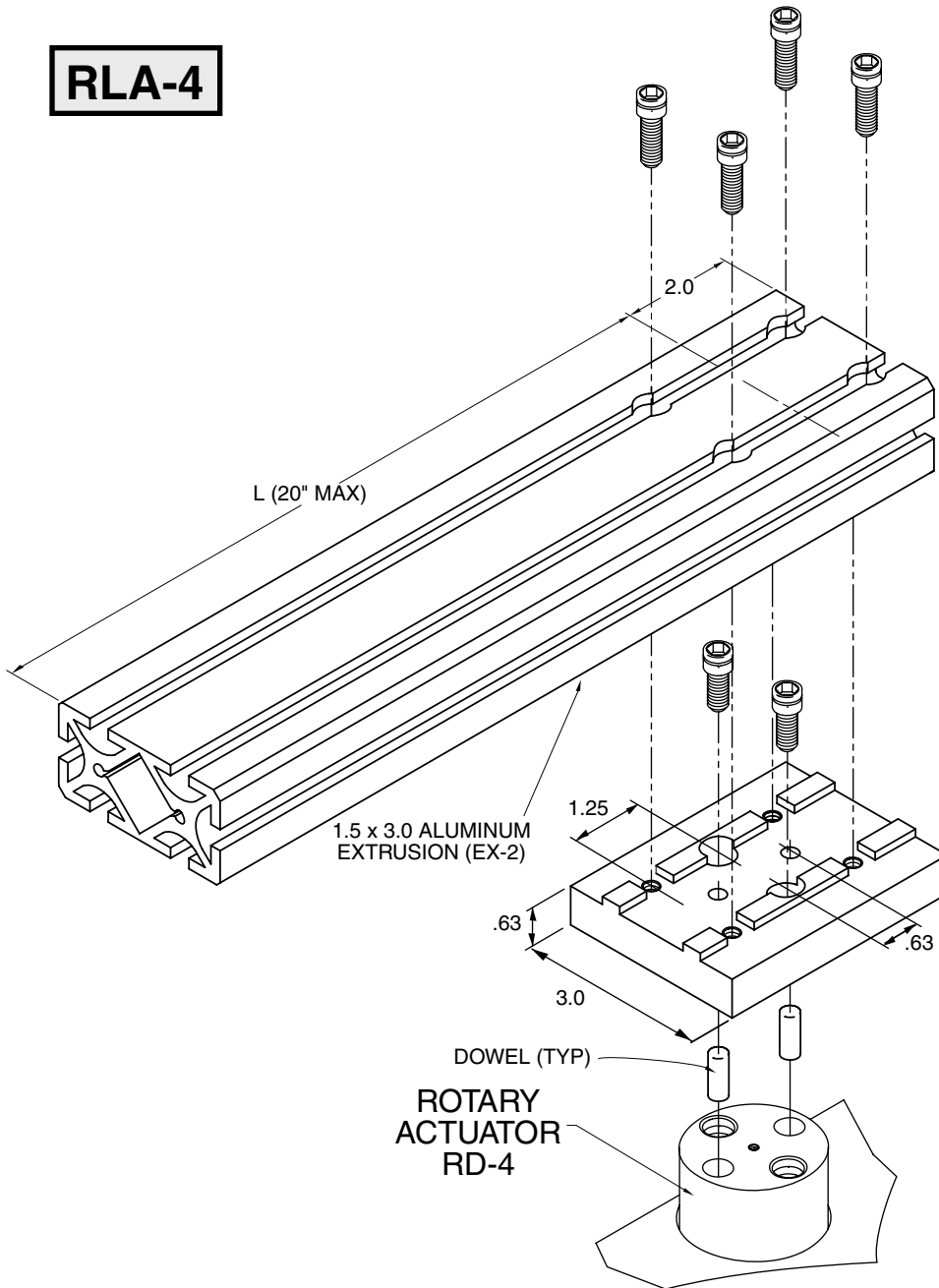
**RLA-3**

**M**

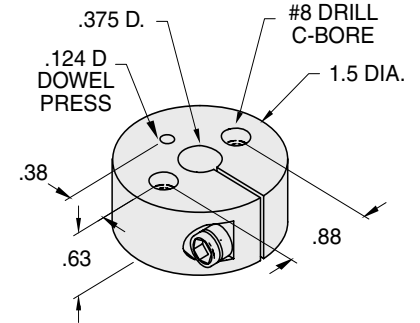


# Rotary Loading Arms and Hubs

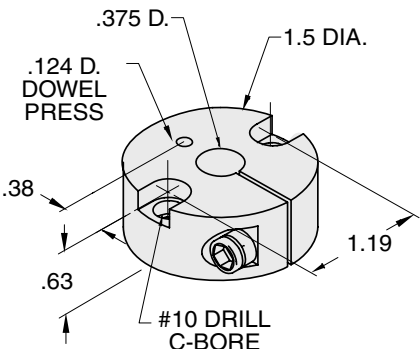
## RLA-4



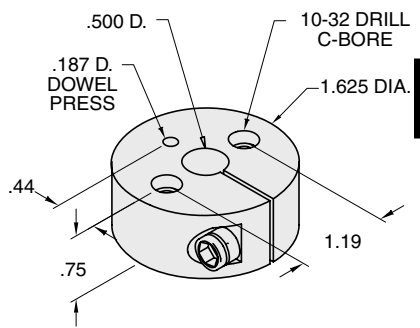
## RH1-0 RD-1 to B-0 series gripper



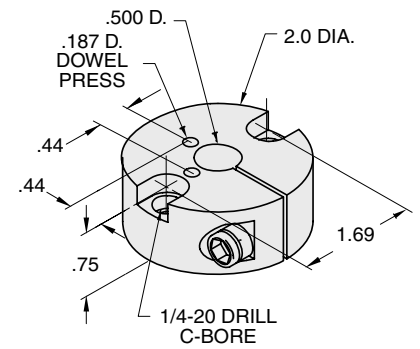
## RH1-1 RD-1 to B-1 series gripper



## RH2-1 RD-2 to B-1 series gripper



## RH2-2 RD-2 to B-2 series gripper



**M**