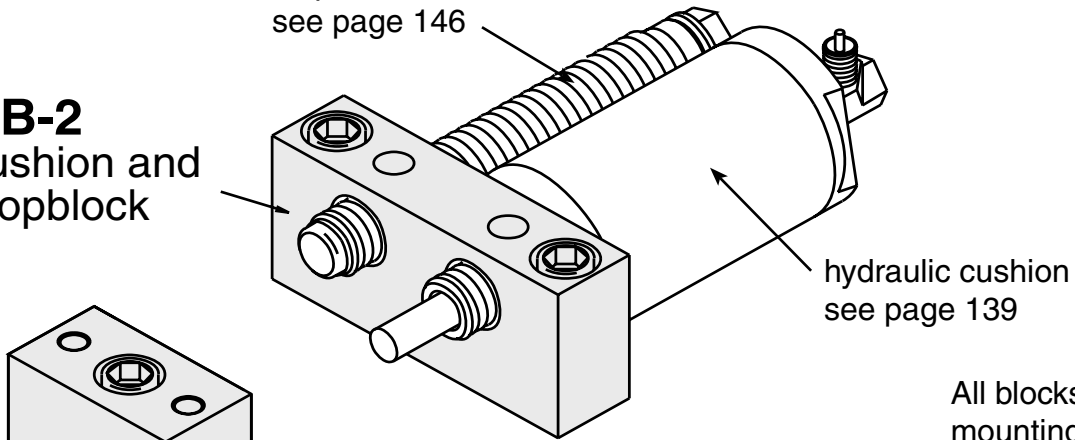


**CB-2, CB-3** Cushion & Stop Blocks  
**HSB-2** Hardened Striker Block

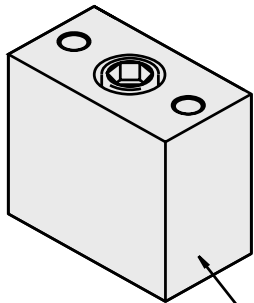
Note: All stopscrews will accommodate all sensors.  
 See page 143

**CB-2**  
 cushion and  
 stopblock

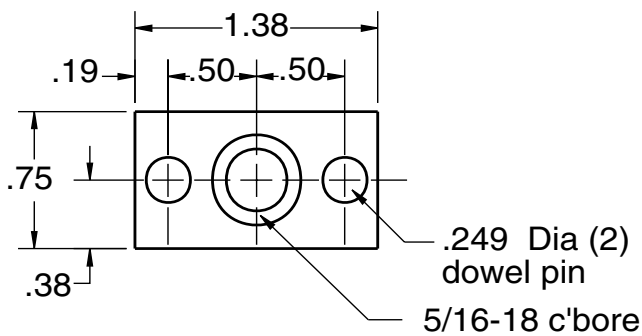
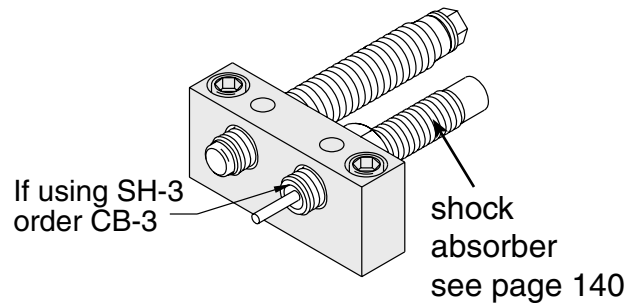
stopscrew SS-1/2  
 see page 146



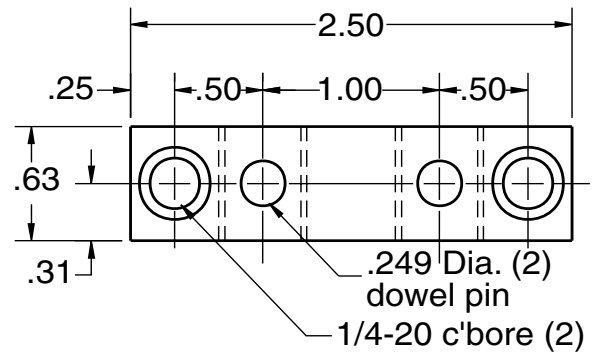
All blocks come with  
 mounting hardware



**HSB-2**  
 striker block  
 hardened steel



**HSB-2**



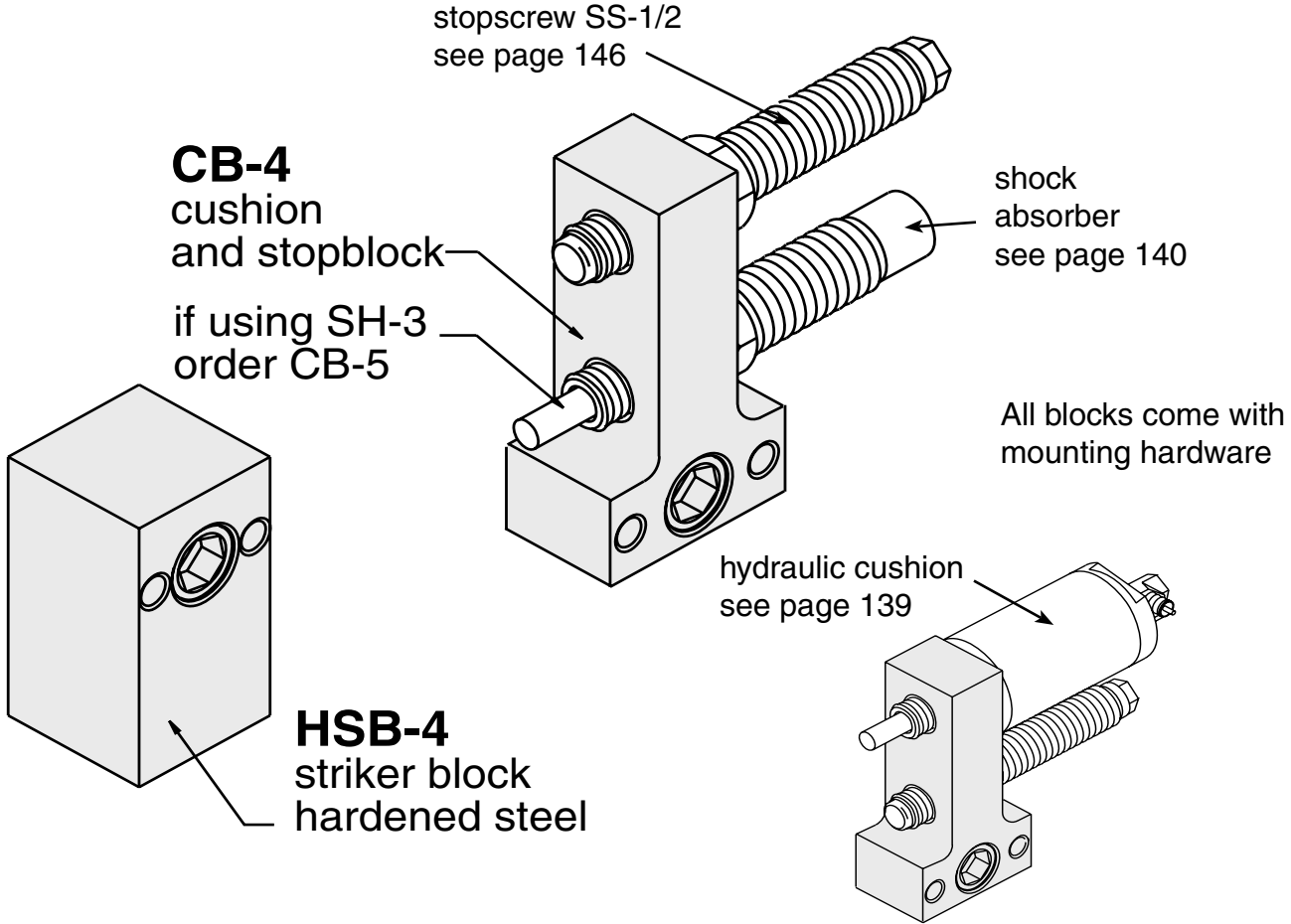
**CB-2** - 1/2-20 tap  
**CB-3** - 3/4-16 tap

1/2-20 tap thru (2)

**R**

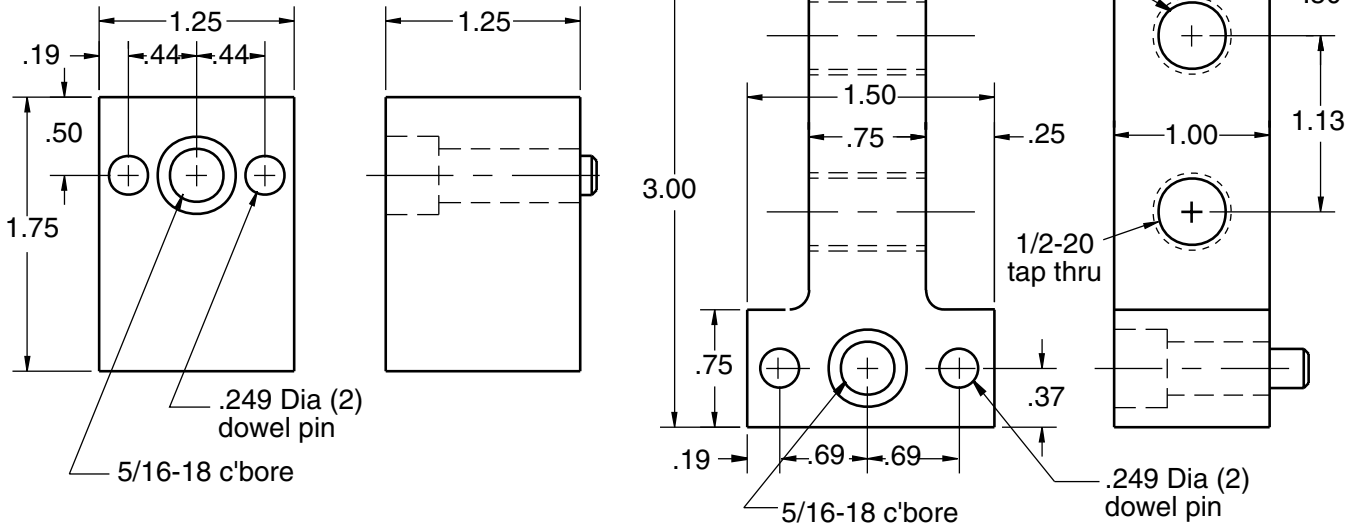
**CB-4, CB-5** Cushion & Stop Blocks  
**HSB-4** Hardened Striker Block

Note: All stopscrews will accommodate all sensors.  
 See page 143



**HSB-4**

**CB-4** - 1/2-20 tap  
**CB-5** - 3/4-16 tap



**R**