



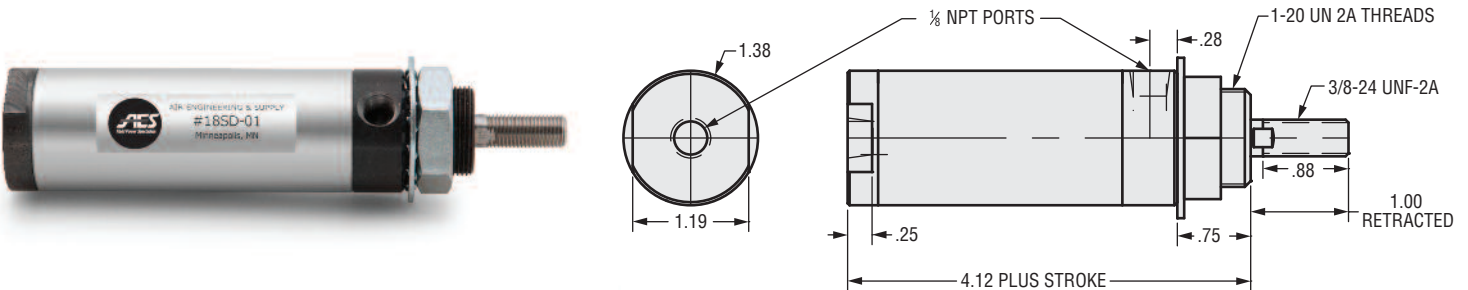
Air Engineering and Supply

2719 East Franklin Avenue, P. O. Box 6247, Minneapolis, MN 55406

1-1/8" Bore Heavy Duty Aluminum Cylinder

18SD-__

Mount: Stud **Available Stroke Lengths:** 1", 2", 3", 4", 5", 6", 7", 8", 9", 10", 12", 14", 16", 18", 20"
Type: Double Acting **To Order:** Add stroke length to the end of the part number
 Add **-N** to the end of the part number for a non-threaded rod



18SD AIR CYLINDER

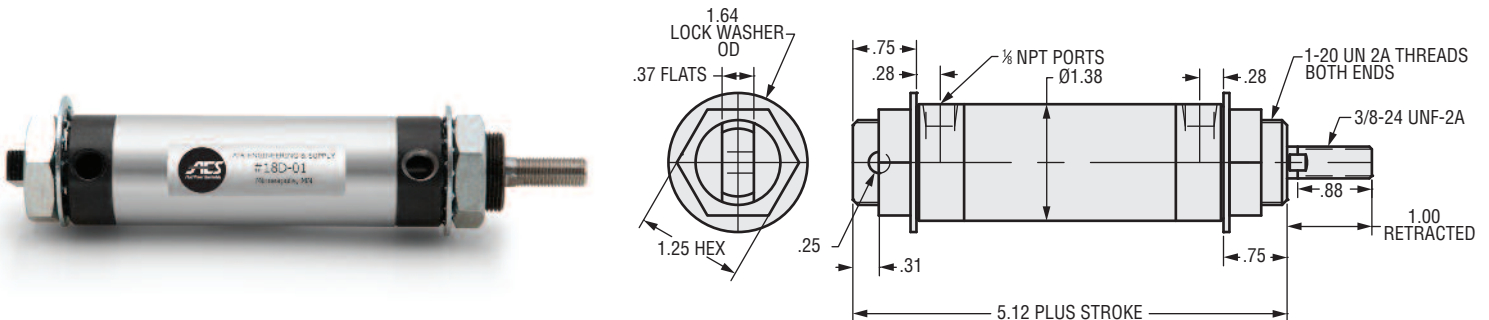
Notes:

1. 1.12 BORE DOUBLE ACTING WITH BUMPERS BOTH ENDS STANDARD
2. BLACK OXIDED STEEL ENDCOVERS, BRASS PISTON, CHROME PLATED SS ROD
3. NITRILE SEALS, 180F MAX, 150PSI MAX
4. HARD COAT ANODIZED ALUMINUM TUBE, ZINC PLATED NUT AND LOCK WASHER
5. LOW FRICTION U-CUP SEALS WITH MOLY LUBE

Nuts included, but not shown on drawing

18D-__

Mount: Universal **Available Stroke Lengths:** 1", 2", 3", 4", 5", 6", 7", 8", 9", 10", 12", 14", 16", 18", 20"
Type: Double Acting **To Order:** Add stroke length to the end of the part number
 Add **-N** to the end of the part number for a non-threaded rod



18SD AIR CYLINDER

Notes:

1. 1.12 BORE DOUBLE ACTING WITH BUMPERS BOTH ENDS STANDARD
2. BLACK OXIDED STEEL ENDCOVERS, BRASS PISTON, CHROME PLATED SS ROD
3. NITRILE SEALS, 180F MAX, 150PSI MAX
4. HARD COAT ANODIZED ALUMINUM TUBE, ZINC PLATED NUTS AND LOCK WASHERS
5. LOW FRICTION U-CUP SEALS WITH MOLY LUBE

Nuts included, but not shown on drawing